



DCM-500B_H-OS


OPTI-SERVE SERIES SANITARY CUBELET ICE MACHINE/DISPENSER



DCM-500B_H-OS
07/02/24 Item #
13147

Item #: _____
 Project: _____
 Qty: _____
 AIA#: _____

Features

- ▶ Durable stainless steel exterior
- ▶ Advanced CleanCycle24™ design 
- ▶ Stainless steel auger with greaseless bearing

- Up to 618 lbs. of ice production per 24 hours
- Built-in storage capacity of 1.3ft³/40 lbs.*
- 2 second flush cycle every hour
- Corrosion resistant stainless steel exterior
- Easy to chew, cubelet ice
- Self-contained design reduces opportunities for cross contamination
- Dispenses ice and water
- R-404A Refrigerant

Warranty:

3 Year Parts & Labor on entire machine.
 5 Year Parts on Compressor; air-cooled condenser coil.
 Valid in United States, Canada, Puerto Rico and U.S. Territories. Contact factory for warranty in other countries.

*Rated in accordance with AHRI Standard 820(I-P). Capacity based on 100% of total volume x 30 lb/ft³ average density of ice.

Shipping: (LxWxH) 33" x 25.25" X 46" Volume: 22.18ft³

W x D x H
 26" x 22¹/₂" x 40"
SD-500
 25⁹/₁₀" x 22" x 32³/₄"



DCM-500BAH-OS
 Air-Cooled
 Shown with optional
 SD-500 Stand

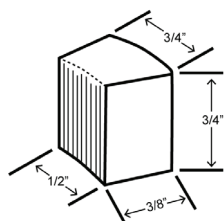
DCM-500BWH-OS
 Water-Cooled

**Hands-free sensor designed for use
 with opaque containers.
 Not intended for outdoor use - avoid
 placement in direct sunlight.*



Condenser	Model	ICE PRODUCTION		WATER USAGE		ELECTRICAL							
		Air / Water Temp Lbs. per 24 hours 70°/ 50°F 90°/ 70°F		Potable Gal. per 100 lbs. 90°/ 70°F	Condenser Gal. per 100 lbs. 90°/ 70°F	kWh Used per 100 lbs. 90°/ 70°F	Min. Circuit/ Max. Fuse Size	Amperage	Voltage	Circuit Wires (including ground)	Heat Rejection BTU/hr.	Refrigerant Charge Amount	Net / Ship Weight (lbs.)
Air-Cooled	DCM-500BAH-OS	618	450	12.0	N/A	5.62	20A	12.9A	115V/60/1	3	7,000	1 lb. 4.1 oz.	251 / 255
Water-Cooled	DCM-500BWH-OS	590	512	12.0	112	4.48	20A	12.6A	115V/60/1	3	6,000	11.5 oz.	245 / 255

Cubelet Dimensions*



* approximate size in inches, image not to scale

Operating Limits

- Ambient Temp Range 45 - 100°F
- Water Temp Range 45 - 90°F
- Water Pressure 10 - 113 PSIG
- Voltage Range 104 - 127V
- If GFCI is required, a GFCI breaker MUST be used in lieu of GFCI receptacle

Service

- Allow 6" (15 cm) clearance at rear and sides for proper air circulation and ease of maintenance/ service should they be required. Allow 24" (61 cm) clearance at top to allow for removal of the auger.

Not intended for outdoor use - avoid placement in direct sunlight.

Plumbing

- Icemaker Water Supply Line: Min. 1/4" Nominal ID Copper Water Tubing or Equivalent
- Icemaker Drain Line: Min. 3/4" Nominal ID Hard Pipe or Equivalent Water-Cooled Model (Lines Must Be Independent of Icemaker)
- Condenser Water Supply Line: Min. 1/4" Nominal ID Copper Water Tubing or Equivalent
- Condenser Drain/Return Line: Min. 1/4" Nominal ID Hard Pipe (open drain system) or Copper Water Tubing (closed loop system) or Equivalent

Water Filter

Please refer to water filter specification sheet for recommendations.

Hoshizaki reserves the right to change specifications without notice.



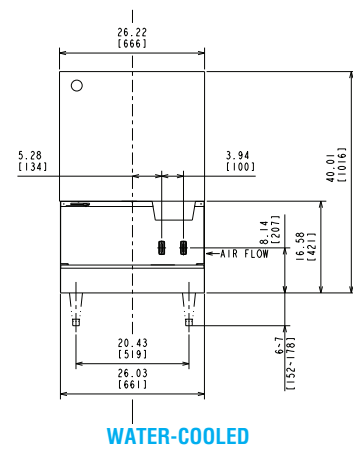
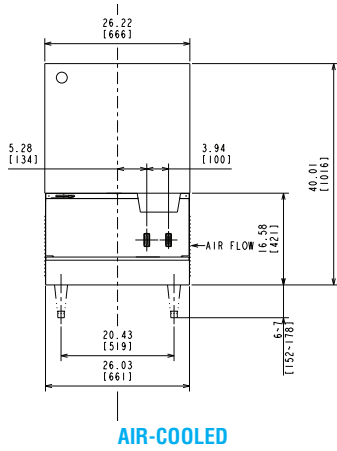
DCM-500B_H-OS

OPTI-SERVE SERIES SANITARY CUBELET ICE MACHINE/DISPENSER



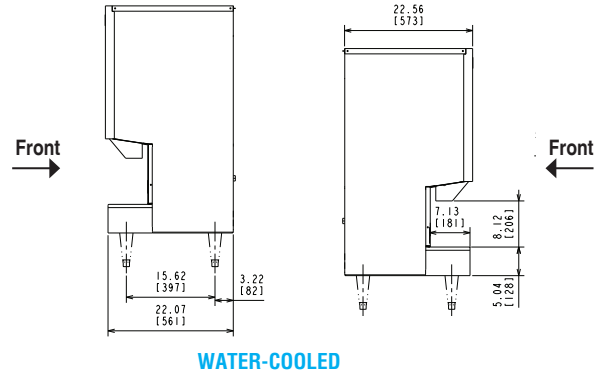
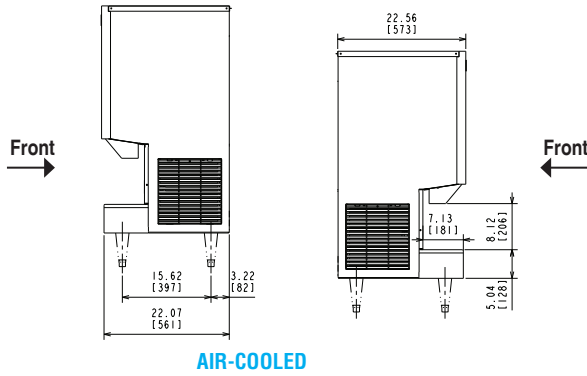
DCM-500B_H-OS
07/02/24
Item # 13147

FRONT VIEW

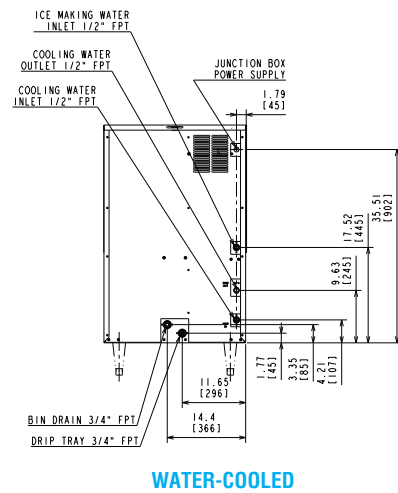
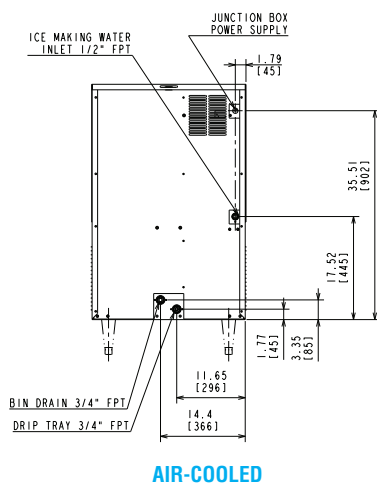


inch
[mm]

SIDE VIEW



REAR VIEW



TOP VIEW

