


HOTLOGIC® SMARTSHELF™ OVEN



REVOLUTIONIZING THE HOT MEAL EXPERIENCE



-  **FULLY AUTOMATIC:** No dials, buttons, or guessing at cook times. Simply load your meal on an empty SmartShelf™ and go about your day.
-  **NO WAITING IN LINE:** SmartShelf™ technology precisely heats and holds up to eight meals with no odor or cross-flavor contamination so you can enjoy a hot meal of your choice at a time that fits your schedule. Simply retrieve your meal and enjoy.
-  **BETTER TASTING MEALS:** Meals are gently and evenly heated in a fashion that preserves the moisture and enhances and locks in flavors.
-  **COMPACT ENERGY EFFICIENT DESIGN:** Each SmartShelf™ uses only the energy required to heat meals to the perfect serving temperature. Compact design allows stacking of up to 3 units and all three units can operate on a single 120V, 20 amp outlet.
-  **USER FRIENDLY:** Use any flat bottom, sealed lid container; glass, metal, plastic, or paperboard.

**SAVE TIME
SAVE MONEY
EAT HEALTHY
LIVE BETTER**

INTENTIONALLY BETTER:

BETTER BY DESIGN: Designed & Built in the U.S.A. Compact, stackable, energy efficient, no mess to clean, accepts any flat bottom heat tolerant container.

BETTER BY PROCESS: Fully Automatic, safe from pathogens, precise even heating, no waiting in line for a hot meal.

BETTER BY RESULTS: Smartshelf™ meals taste better.



avsconnect.com | (847) 709-6299 | helpdesk@avsconnect.com



SPECIFICATIONS

SMARTSHELF™ OVEN BY HOTLOGIC®

CONSTRUCTION 8-SHELF

Overall Dimensions: 22.75" w x 15" h x 11.375" d
Door Opening: 21.77" w x 11.94" h
Top & Bottom panel: Stainless steel
Side Panel: Black HDPE (Clear Acrylic Optional)
Doors: Acrylic (Clear)
Back panel: Black Coated Steel
Tray dimension: 9.25" w x 8.13" d
Clear height in between trays: 2.63"
Tray heating surface: Powder Coated Steel
Unit weight: 48 lbs.
Max stack height: 3 units

ELECTRICAL

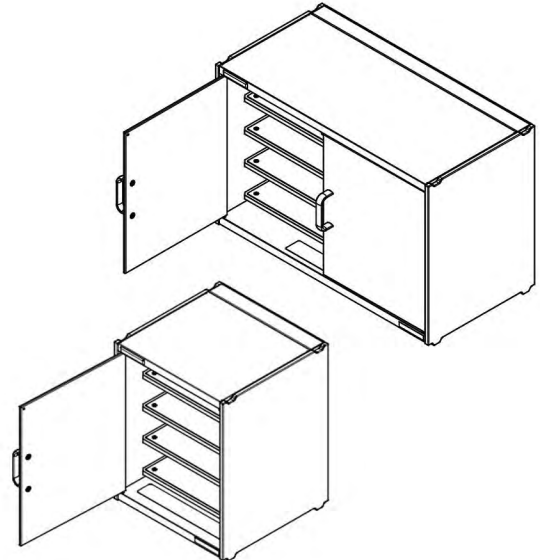
Power: 560 watts
Voltage: 120VAC
Power cord: 3 ft
Power cord plug: NEMA 5-15P 60 hz
Conforms to: UL std 197
Certified to CSA std C22.2 #109
ETL electrical safety listed. 3134846

HEATING

Cooking temperature: 220 °F MAX.
Holding temperature: 165 °F

INDICATOR LIGHT

Red - Standby Mode
Green - Opening
Blue - Activated while opening or after open.



CONSTRUCTION 4-SHELF

Overall Dimensions: 11.75" w x 15" h x 11.46" d
Door Opening: 21.76" w x 11.94" h
Top & Bottom panel: Stainless steel
Side Panel: Black HDPE (Clear Acrylic Optional)
Doors: Acrylic (Clear)
Back panel: Black Coated Steel
Tray dimension: 9.25" w x 8.13" d
Clear height in between trays: 2.63"
Tray heating surface: Powder Coated Steel
Unit weight: 48 lbs.
Max stack height: 3 units

**SAVE TIME
SAVE MONEY
EAT HEALTHY
LIVE BETTER**

INTENTIONALLY BETTER:

BETTER BY DESIGN: Designed & Built in the U.S.A. Compact, stackable, energy efficient, no mess to clean, accepts any flat bottom heat tolerant container.

BETTER BY PROCESS: Fully Automatic, safe from pathogens, precise even heating, no waiting in line for a hot meal.

BETTER BY RESULTS: Smartshelf™ meals taste better.