



Water Gun Fun Pixel Play™ **(2 Player Arcade Version)**

Bob's Space Racers
427 Whac-A-Mole Way
Daytona Beach, FL 32117
Phone: 386-677-0761

WATER GUN FUN
PIXEL PLAY

GAME SPECIFICATIONS

| | |
|-------------------------|---------------------------------|
| Game Dimensions: | L: 101 in. (256.4 cm) |
| | W: 35.5 in. (90.17 cm) |
| | H: 107.5 in. (270.05 cm) |

| | |
|----------------------------|--|
| Power Requirements: | DOMESTIC: 110V ±10V / 1.6 A |
| | EXPORT: 220V ±10 V / .75 A |

| | |
|---------------------------|------------------------------|
| Crated Dimensions: | L: 87 in. (221 cm) |
| | W: 39 in. (99.06 cm) |
| | H: 88 in. (223.52 cm) |
| Crated Weight: | 972 lbs. (418.21 kg) |



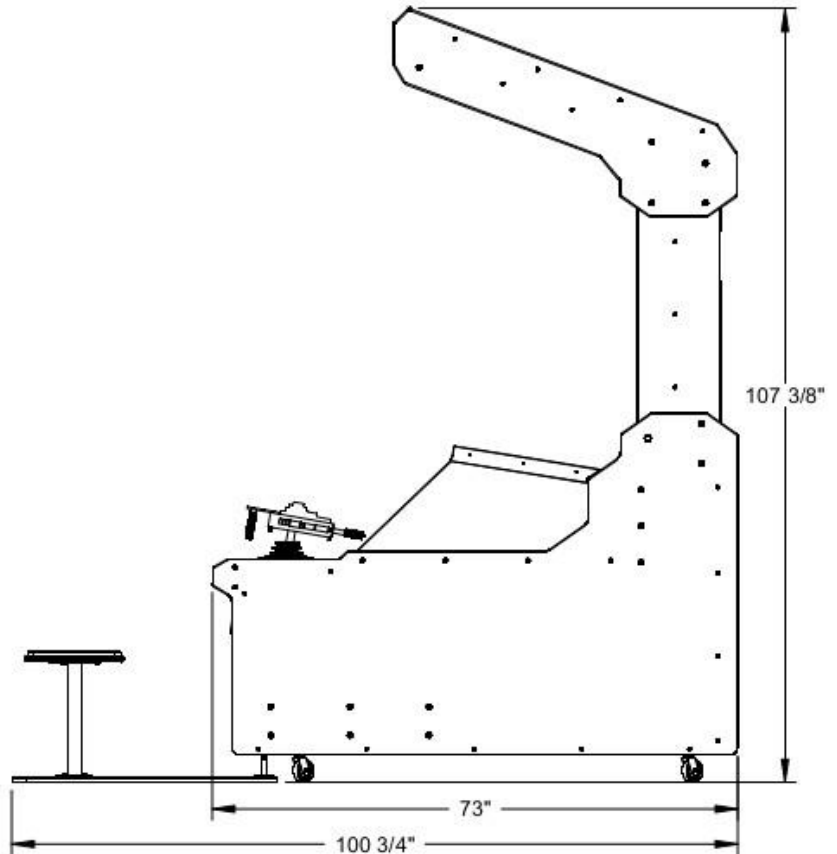
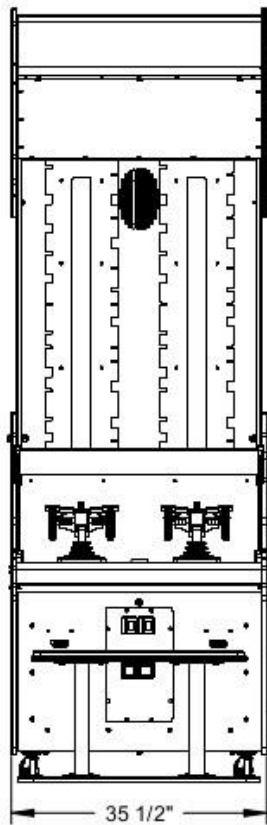
Game Features:

- BSR's dependable and easily serviced electronics
- Multiple targets for each player
- Self contained and easy to maintain water system
- New custom theming game features
- Coin mechs and ticket dispenser standard
- Card reader ready

WWW.BOBSSPACERACERS.COM

Call or email our sales team at:
Phone: 386-677-0761
Email: sales@bobsspaceracers.com

PIXEL WATER BLAST ARCADE 2 PLAYER



ALL PARAMETERS ARE APPROXIMATE AND SUBJECT TO CHANGE WITHOUT NOTICE

[] DIMENSIONS ARE IN MILLIMETERS

Power Requirements

1.6 amps 110 - 120 V

Game weight: 922 lbs.

Crated Dimensions & Weight

87" Long x 39" Wide x 88" High

Weight: 972 lbs.

Bob's Space Racers, Inc.

427 15th Street
Daytona Beach, FL 32117

PH: 386-677-0761

FAX: 386-677-0794

Web: <http://www.BobsSpaceRacers.com>

E-mail: Sales@BobsSpaceRacers.com

Serving the amusement industry since 1970