

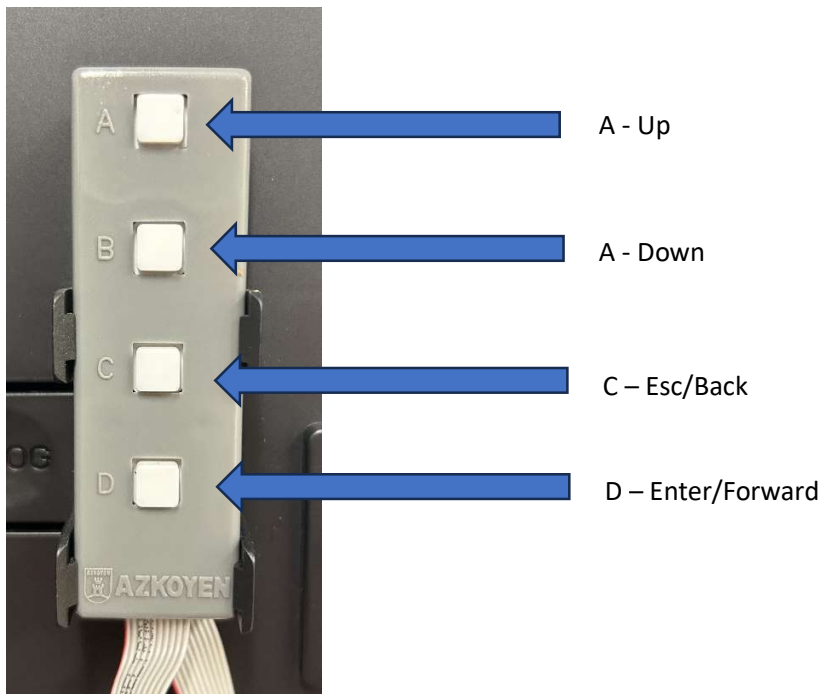
## Editing Cappuccino Recipe (Vitro X1)

This guide to help with all Vitro X1 Drink Adjustments (if you have issues or concerns, please contact Azkoyen technical helpdesk)

The below will refer on how to increase/decrease the water and milk product.

**Step 1:** Open the door and remove the internal ABCD grey remote. Press the **C button** on this remote to enter the PROG Mode. You will likely see the error of DOOR OPEN, press **C button** to clear this. You should see **010 LISTINGS** on the display. If you do not, press the **C button** to clear any errors on the front display until you see **010 LISTINGS**.

**Step 2:** The buttons on the remote work in the following order:



A (**Up**), B (**Down**), C (**Esc/Cancel - Back**), D (**Enter - Forward**):

**Step 3:** Scroll up with the **A button** and stop when you get to **F.315 SERV PROG**.

**Step 4:** Press the **D button** to enter into this function.

**Step 5:** You will see "Modify Step" on your digital screen, press the **D button** to enter into "Modify Step" portion of the function.

**Step 6:** Press the "Cappuccino" selection on the front panel and you will see "Cappuccino" appear on your digital screen, press the **D button** to enter into the drink's recipe.

**NOTE:** Press the drink selection needed to be adjusted per drink you wish to adjust. This example specifically discusses the Cappuccino selection.

**Step 6:** The screen will now display (or similar):



- The items you see are as follows:
  - o MILK – the canister/position of the item in the recipe (milk canister in this case)
  - o WA+MIX – the action of this position (Water + Mixer for the milk in the drink)
  - o It: 00,0 – the start/delay time of the item (01,5 = 1.5 seconds)
  - o Cc: 120 – the volume of water in the drink (30cc = 1oz)
  
- To increase/decrease the water volume in a Cappuccino, press the **D button** on the remote. The MILK heading will begin to blink, continue pressing the **D button** until you are on the number you wish to change. In this case to increase the size when the number 2 is blinking change with the **A button** eg. Cc:150. Once you have set the number press the **D button** to save and step to the next item in the recipe.

**Step 7:** Once you enter through the first step you will arrive at the second step of the recipe. The screen will now display (or similar):



-Again, the screens meanings are as follows:

- o MILK – the canister/position of the item in the recipe (milk canister in this case)
- o PROD – the action of this position (Product = Milk canister)
- o It: 00,0 – the start/delay time of the item (00,9 = 0.9 seconds)
- o Pt: 04,2 – the time of how long the canister will operate (Pt: 04,2 = 4.2s)

To increase/decrease the volume of milk powder in a Cappuccino, press the **D button**. The MILK heading will begin to blink, continue pressing the **D button** until you are on the number you wish to change. In this case to increase the product when the number 4 is blinking change with the A button to the volume needed eg. Pt: 05,2. Once you have set the number press the **D button** to save and step to the next item in the recipe.

Once you enter through each step in the recipe you will arrive at the next step of the recipe.

NOTE: All milk/chocolate-based drinks will have between 2-3 steps of PROD

**Step 8:** Once the recipe has been adjusted to your needs, press the **C button** to step back a heading at a time until you see PLEASE WAIT and you've exited the program.



Please scan QR code for a video of a Drink Recipe Adjustment.

For any further assistance please contact the Azkoyen Technical Support Team