

ILLINOIS

# IGT Cobalt™ 27 Gaming Machine

Find your element.



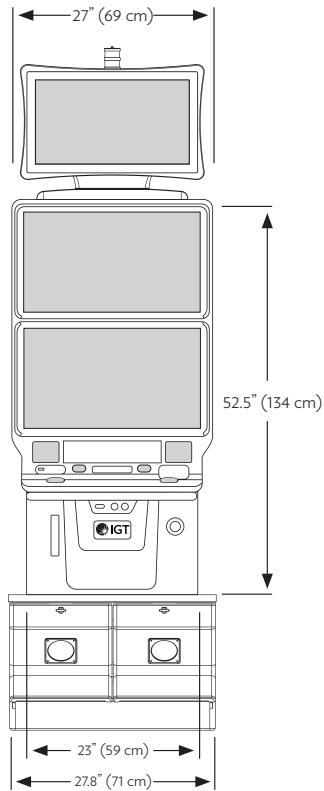
Expertly crafted, the Cobalt™ 27 Gaming Machine is a shining example of IGT's commitment to thoughtful design that enhances the player experience. Clad with two high-definition 27" screens, a 24" video topper, integrated cabinet lighting, and extensive button panel flexibility, this cabinet is designed to fit your unique needs, and forge new opportunities for your floor.

- Superior serviceability and durability reduce strain on staff resources, minimize down time, and increase ROI
- Modern cabinet design with ergonomic comfort features and conveniences that attract players and increase time on device
- Provides an enhanced yet familiar player experience with improved monitor resolution, intelligent cabinet lighting, and elevated celebrations that keep players engaged

## Player Experience

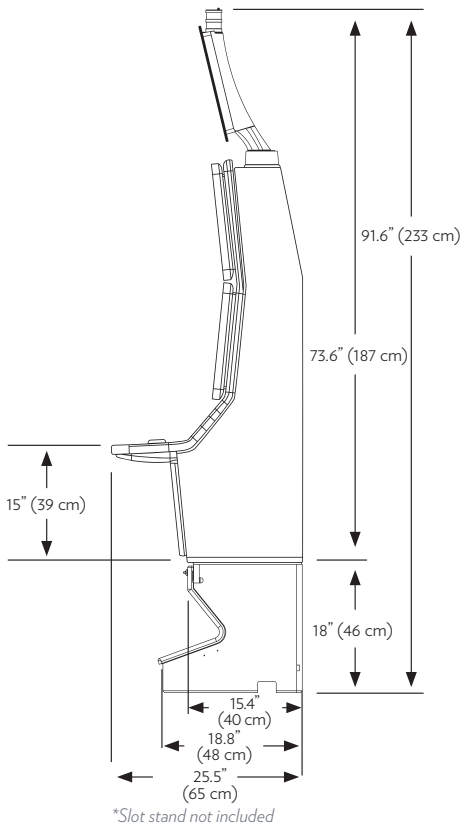
- **Dynamic Player Panel (DPP) with Dual Bash Buttons**
  - Player accepted
  - Robust, durable metal button deck
  - Dual physical repeat bet buttons (bash buttons)
- **Improved Monitors**
  - Large 27" full HD LCD displays
  - Multi-touch screen on main display
  - 24" video topper comes standard with purchase
- **Intelligent Cabinet Lighting**
  - Built with the same tools as the S3000® and Crystal Series cabinets
  - Improved attract and celebration sequences
  - Sync lights to game experience, music, and sounds
  - Banked lighting with no additional hardware for basic functionality
- **Game Library**
  - Supports SGF HD content streams

Visit [igt.com/cabinets](http://igt.com/cabinets) to learn more



### Modern Cabinet Design

- **Improved Serviceability & Durability**
  - Increased durability for bar and cafe placements
  - Improved access to commonly serviced components
  - Vertically opening main door provides access to bill validator head and printer
  - Swinging lower door for cash box access
  - Externally accessible air filters
  - Decreased installation time
  - Integrated grip on top and sides of machine to assist with moving
- **More Ergonomic**
  - Large player panel with increased wrist support
  - Large dual bash buttons fit nicely in the players hands, and offer added benefit for left-handed players



**IGT Cobalt™ 27 Gaming Machine**  
 Weight without topper - 254 lbs. (115.2 kg)  
 Weight with topper - 277 lbs. (125.6 kg)  
 Projected footprint - 4.8 ft<sup>2</sup> (0.45 m<sup>2</sup>)

### Power Consumption

120V/60Hz	2.4A (290 Watts)
240V/50Hz	1.2A (288 Watts)

Visit [igt.com/cabinets](http://igt.com/cabinets) to learn more



AVS Companies  
 750 Morse Avenue  
 Elk Grove Village, IL 60007-5104

