

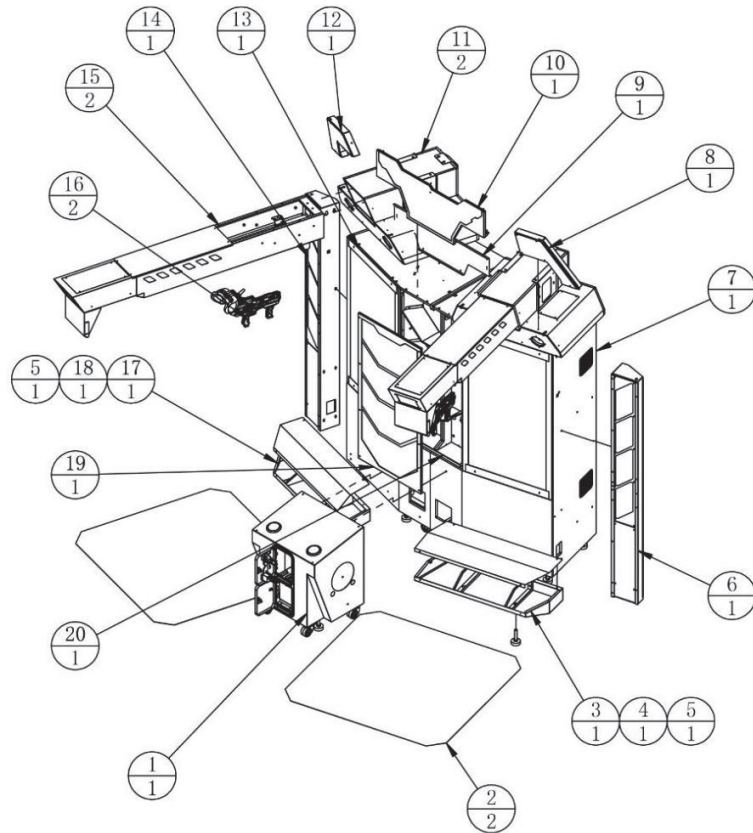
6. Assembly

6.1 Assembly Tree Diagram

ACG3-0000000 Cabinet assembly	ACG3-0100000 L monitor frame assembly	ACG3-0101000 L wooden frame assembly
		ACG3-0102000 Monitor glass assembly
		ACG3-0103000 Monitor assembly
		ACG3-0104000 PC assembly
		ACG3-0105000 PC door assembly
		ACG3-0106000 Monitor door assembly
		ACG3-0107000 Transformer assembly
		ACG3-0108000 AC power box assembly
		ATV-0214000 Fan assembly
	ACG3-0200000 Beam assembly	ACG3-0201000 Motor assembly
		ACG3-0202000 Slide assembly
		ACG3-0203000 Guide wheel assembly
		ACG3-0204000 Disinfection assembly
		ACG3-0205000 Synchronous pulley assembly
	ACG3-0300000 Light box assembly	ACG3-0301000 Light box wooden assembly
	ACG3-0400000 Console assembly	ACG3-0401000 Console frame assembly
		ACG3-0402000 Console panel assembly
		ACG3-0403000 Woofer assembly
		ACG3-0404000 Fan rear assembly
		ACG3-0405000 Service panel assembly
	ACG3-0500000 L side frame assembly	
	ACG3-0600000 Middle frame assembly	
	ACG3-0700000 R monitor frame assembly	ACG3-0701000 R wooden frame assembly
		ACG3-0102000 Monitor glass assembly
		ACG3-0103000 Monitor assembly
		ACG3-0104000 PC assembly
		ACG3-0105000 PC door assembly
		ACG3-0106000 Monitor door assembly
		ATV-0214000 Fan assembly
	ACG3-0800000 R side frame assembly	
	ACG3-0900000 LOGO assembly	
	ACG3-1000000 L upper frame assembly	
	ACG3-1100000 R upper frame assembly	
	ACG-0900000 Gun assy	

6.2 General Assembly Diagram

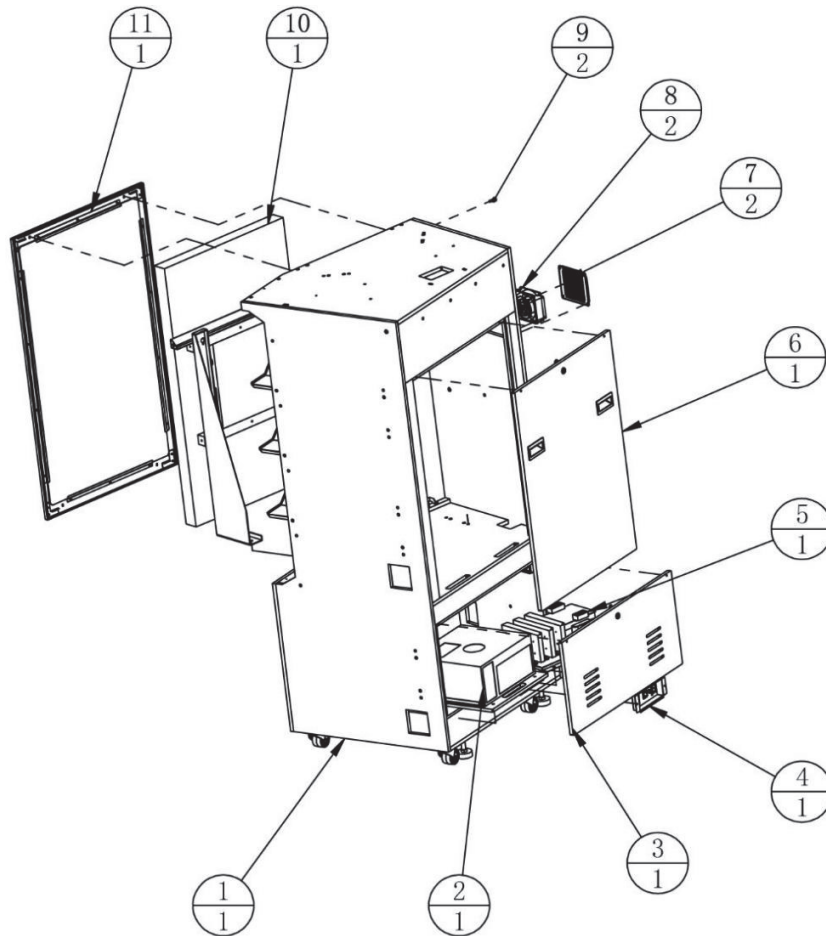
6.2.1 Cabinet Assembly



20	ACG3-0000A01	Middle support plate	SPCC-1.2T	1	
19	ACG3-0600000	Middle frame assembly		1	
18	ACG3-0000A05	Left pedal cover	SPCC-1.0T	1	
17	ACG3-0000A02	Left pedal	SPCC	1	
16	ACG-0900000	Gun assembly		2	
15	ACG3-0200000	Beam assembly		2	
14	ACG3-0500000	L side frame assembly		1	
13	ACG3-0100000	L monitor frame assembly		1	
12	ACG3-1000000	L upper frame assembly		1	
11	ACG3-0300000	Light box assembly		2	
10	ACG3-0900000	LOGO assembly		1	
9	ACG3-0000A04	LOGO light panel	SPCC-1.2T	1	
8	ACG3-1100000	R upper frame assembly		1	
7	ACG3-0700000	R monitor frame assembly		1	
6	ACG3-0800000	R side frame assembly		1	
5		Anchor	M16*100	2	
4	ACG3-0000A06	Right pedal cover	SPCC-1.0T	1	
3	ACG3-0000A03	Right pedal	SPCC	1	
2	ACG3-0000D01	Play matt	PVC-1.0T	2	
1	ACG3-0400000	Console assembly		1	
No.	Drawing No.	Name	Specification	Qty	Other

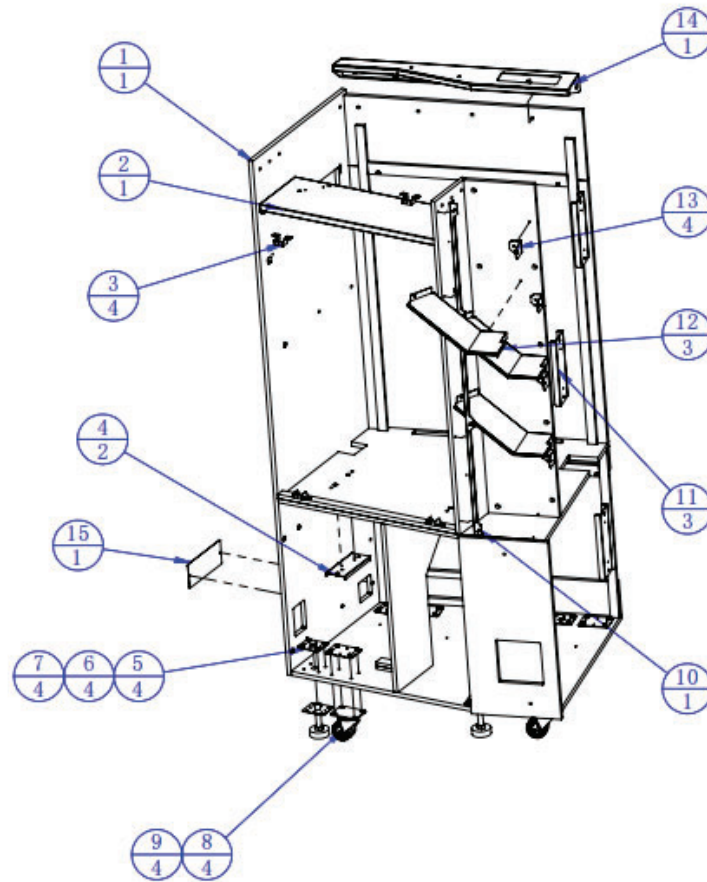
6.3 L Monitor Frame Assembly

6.3 L Monitor Frame Assembly



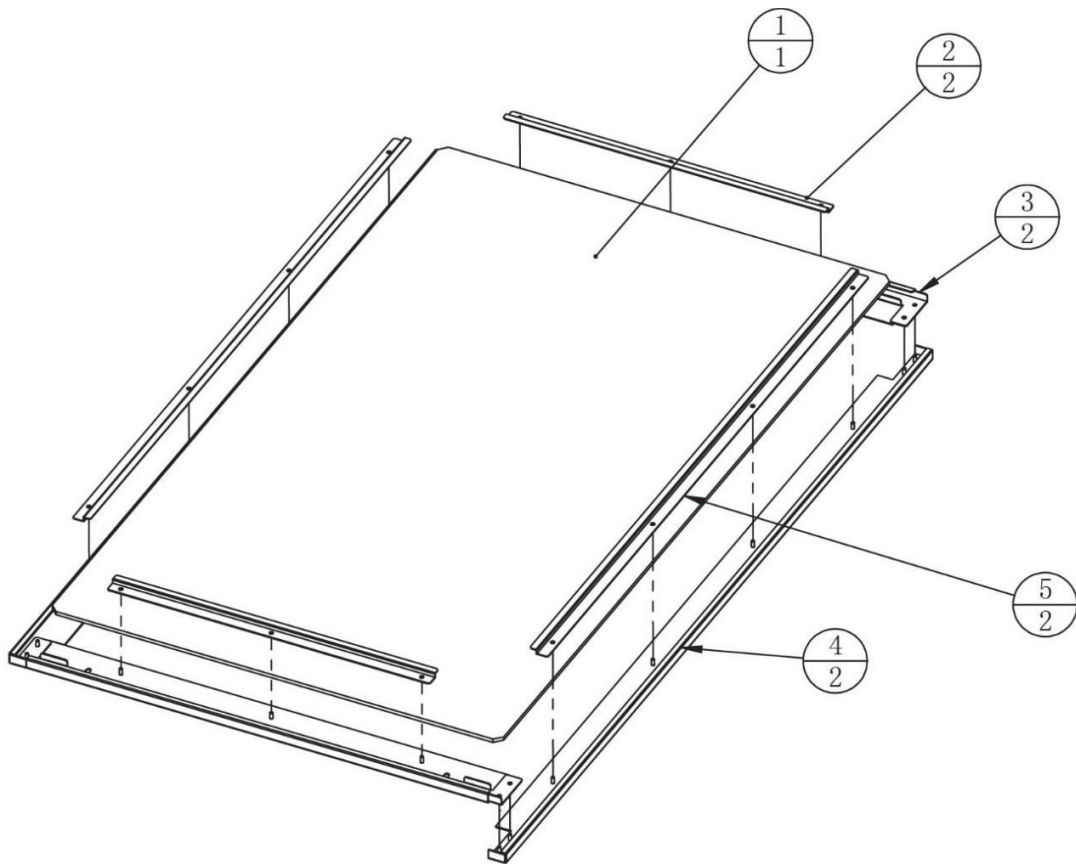
11	ACG3-0102000	Monitor glass assembly		1	
10	ACG3-0103000	Monitor assembly		1	
9	ACG3-0100A01	Side frame fixings	Q235	2	
8	ATV-0214000	Fan assembly		2	
7		Plastic net	253-5460	2	
6	ACG3-0106000	Monitor door assembly		1	
5	ACG3-0107000	Transformer assembly		1	
4	ACG3-0108000	AC power box assembly		1	
3	ACG3-0105000	PC door assembly		1	
2	ACG3-0104000	PC assembly		1	
1	ACG3-0101000	L wooden frame assembly		1	
No.	Drawing No.	Name	Specification	Qty	Other

6.3.1 L Wooden Frame Assembly



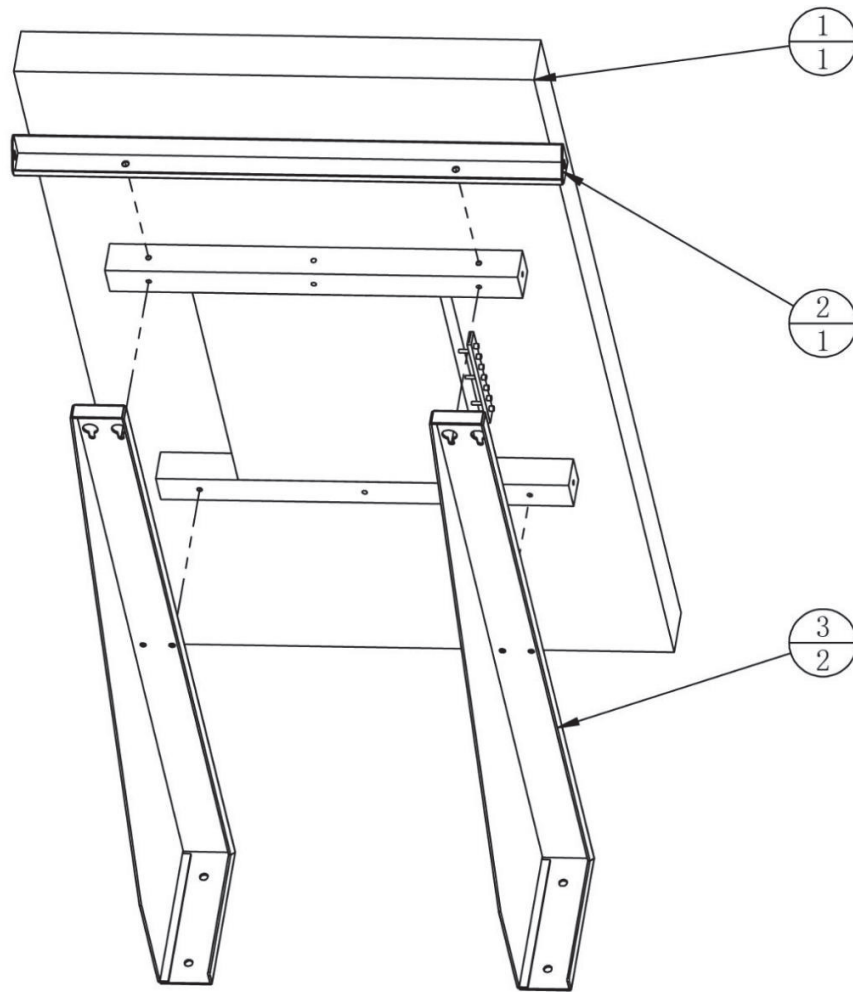
15	ACG3-0101A10	Side cover	SPCC-1.2T	1	
14	ACG3-0101A02	Left reinforcing plate	SECC-2.5T	1	
13	ACG3-0101A08	Frame connecting 2	SECC-1.5T	4	
12	ACG3-0101A03	Middle diaphragm 1	SECC-1.2T	3	
11	ACG3-0101A04	Frame connecting 1	SECC-2.0T	3	
10	ACG3-0101A05	Middle frame plate	SPCC-1.2T	1	
9	ATV-0201A06	Casters fixed iron	SPCC-2.0T	4	
8		Casters	2.5'	4	
7		Anchor	M16*100	4	
6	ATV-0201A07	Anchor plate	SPCC-2.0T	4	
5	ATV-0201A05	Anchor fixing iron	SPCC-2.0T	4	
4	ACG3-0101A01	Monitor reinforcing plate	SPCC-2.0T	2	
3	ACG3-0101A06	Glass frame plate	SPCC-1.2T	4	
2	ACG3-0101A07	Light box support		1	
1	ACG3-0101B01	L wooden frame	MDF	1	
No.	Drawing No.	Name	Specification	Qty	Other

6.3.2 Monitor Glass Assembly



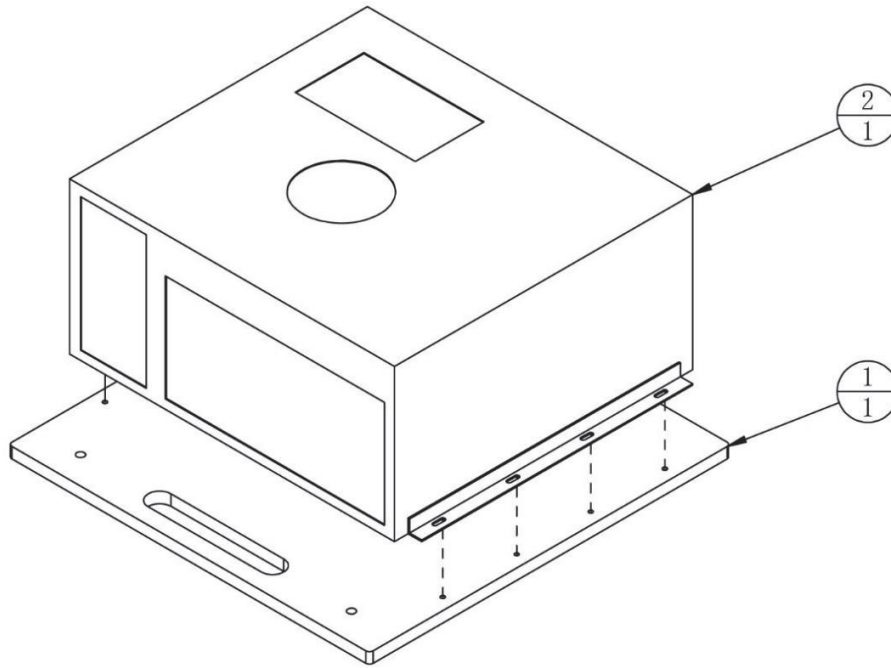
5	ACG3-0102A02	Glass batten 1	SPCC-1.2T	2	
4	ACG3-0102A04	Glass frame 2	SPCC-1.5T	2	
3	ACG3-0102A01	Glass frame 1		2	
2	ACG3-0102A03	Glass batten 2	SPCC-1.2T	2	
1	ACG3-0102C01	Monitor glass	Glass-5.0T	1	
No.	Drawing No.	Name	Specification	Qty	Other

6.3.3 Monitor Assembly



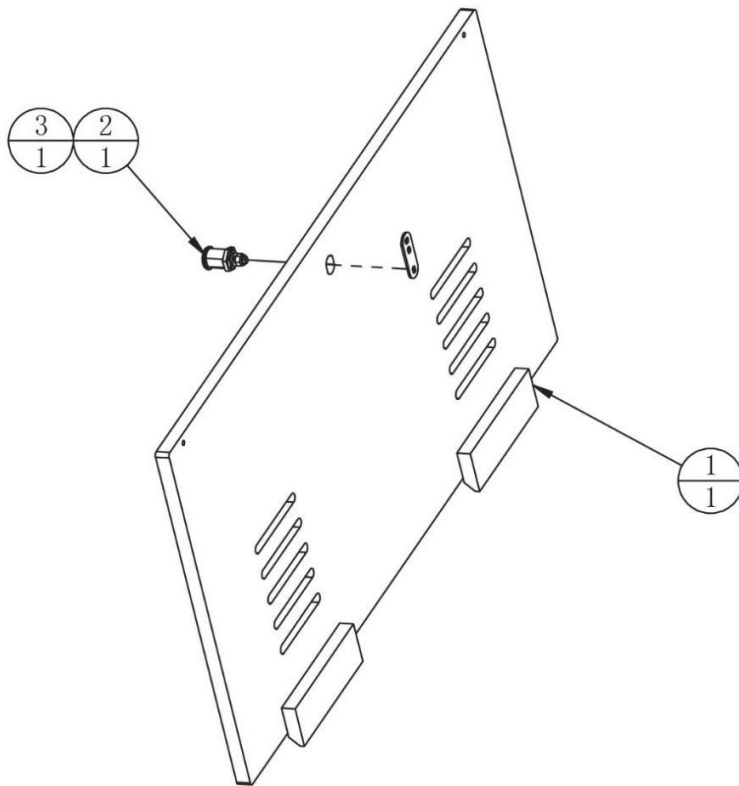
3	ACG3-0103A01	Monitor bracket	SECC-2.5T	2	
2	ACG3-0103A02	Monitor support plate	SPCC-1.5T	1	
1		Monitor	49'	1	
No.	Drawing No.	Name	Specification	Qty	Other

6.3.4 PC Assembly



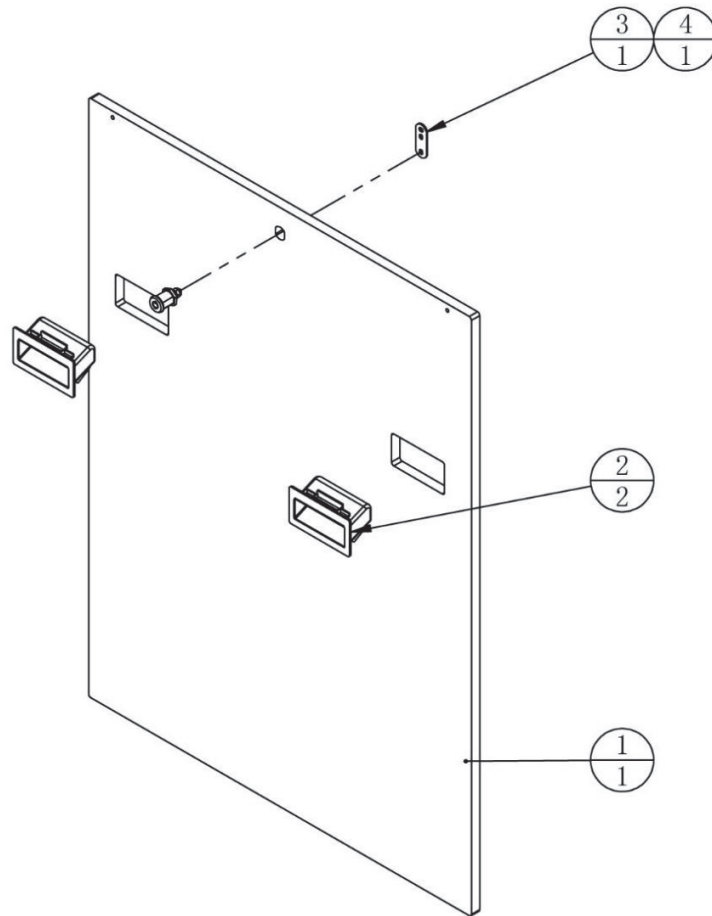
2		PC	IPC-3WM002	1	
1	ACG3-0104B01	PC plate	MDF-15.0T	1	
No.	Drawing No.	Name	Specification	Qty	Other

6.3.5 PC Door Assembly



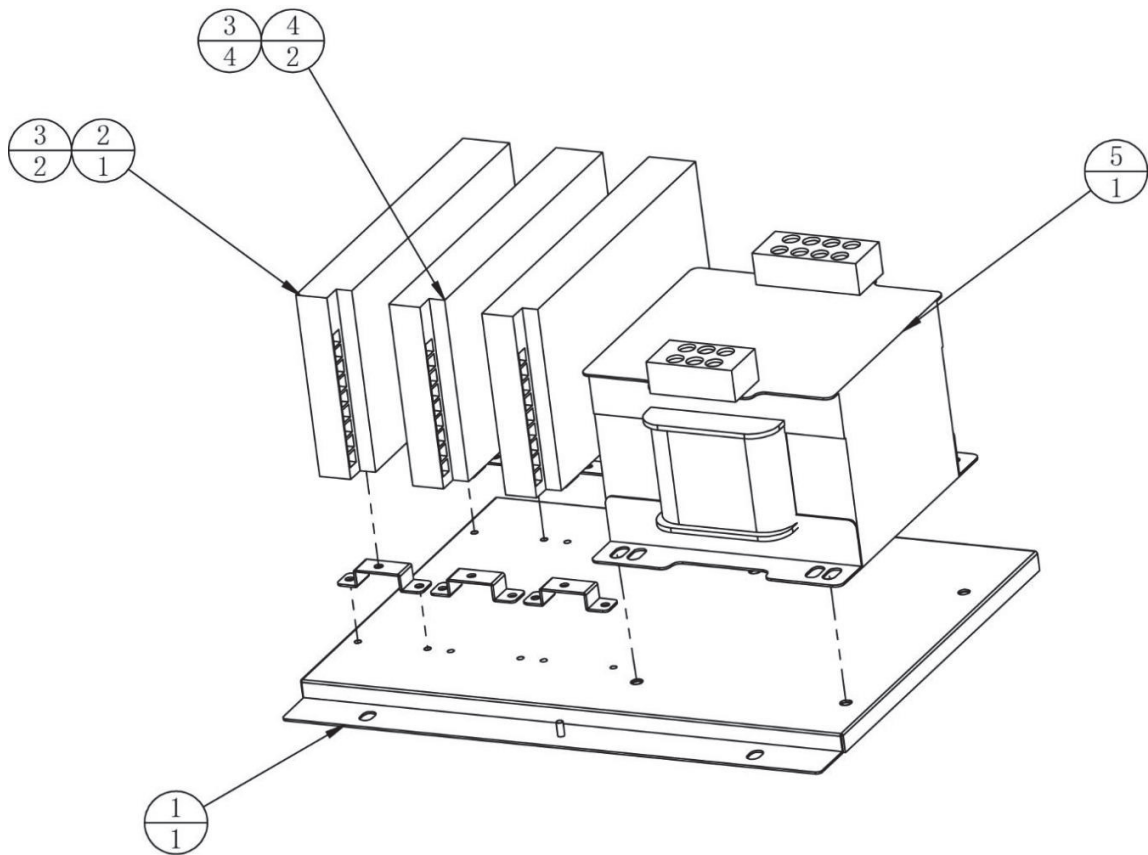
3		Lock plate	5cm	1	
2		Lock	5555-K	1	
1	ACG3-0105B01	PC door	MDF-15.0T	1	
No.	Drawing No.	Name	Specification	Qty	Other

6.3.6 Monitor Door Assembly



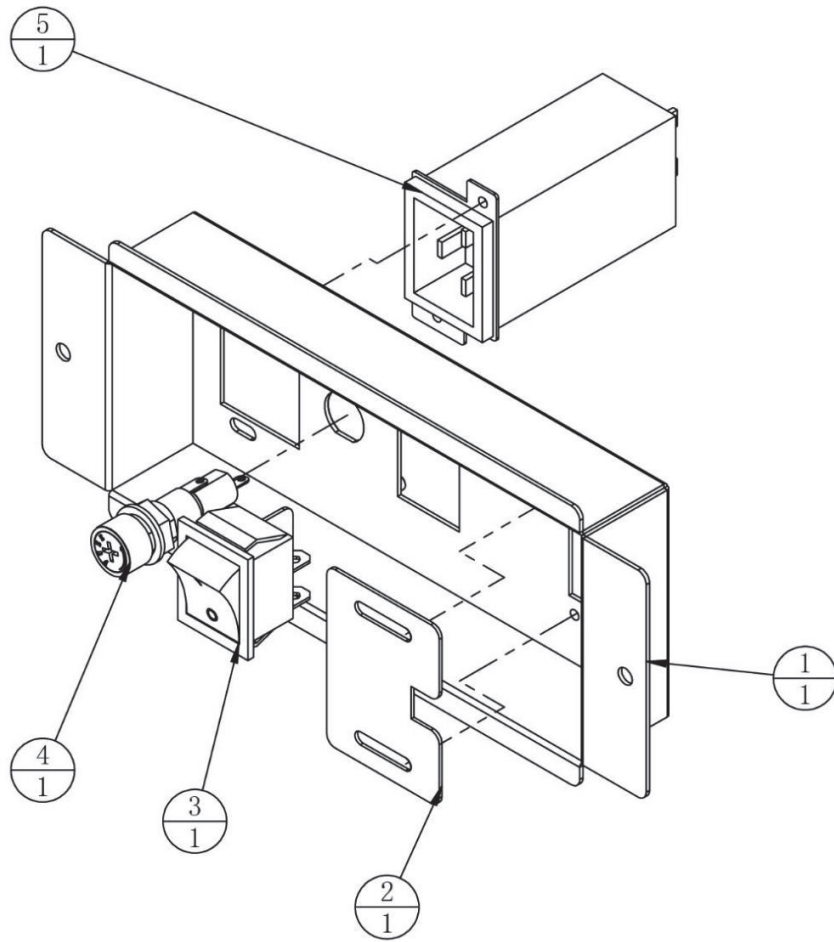
4		Lock	5555-K	1	
3		Lock plate	5cm	1	
2		Clasp		2	
1	ACG3-0106B01	Monitor door	MDF-15.0T	1	
No.	Drawing No.	Name	Specification	Qty	Other

6.3.7 Transformer Assembly



5		Transformer	HL162-18-110	1	
4		Power supply	LRS-150-24	2	
3	ATV-0203A01	Power supply plate	SECC-1.2T	6	
2		Power supply	LRS-350-12	1	
1	ACG3-0107A01	Transformer plate	SECC-1.2T	1	
No.	Drawing No.	Name	Specification	Qty	Other

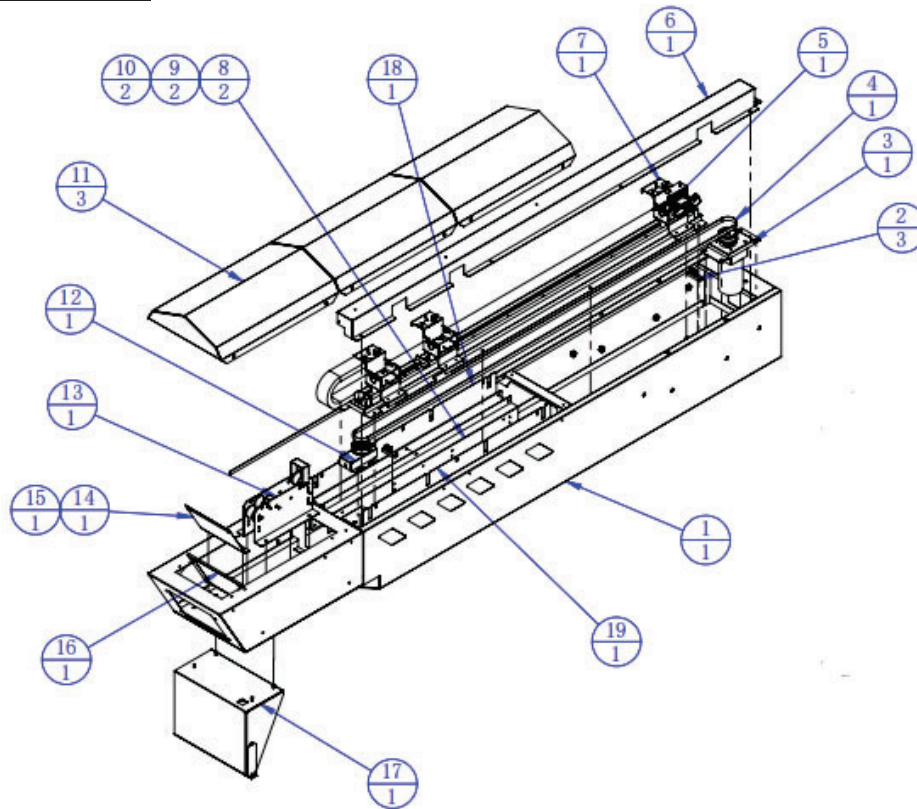
6.3.8 AC Power Box Assembly



5		Filter	YUNPEN YMA20A	1	
4		Fuse cartridge	MF527A	1	
3		Power button	4P KCD7-2211N	1	
2	ATV-0208A02	Cable cover	SPCC-1.0T	1	
1	ACG3-0108A01	AC power box	SPCC-1.2T	1	
No.	Drawing No.	Name	Specification	Qty	Other

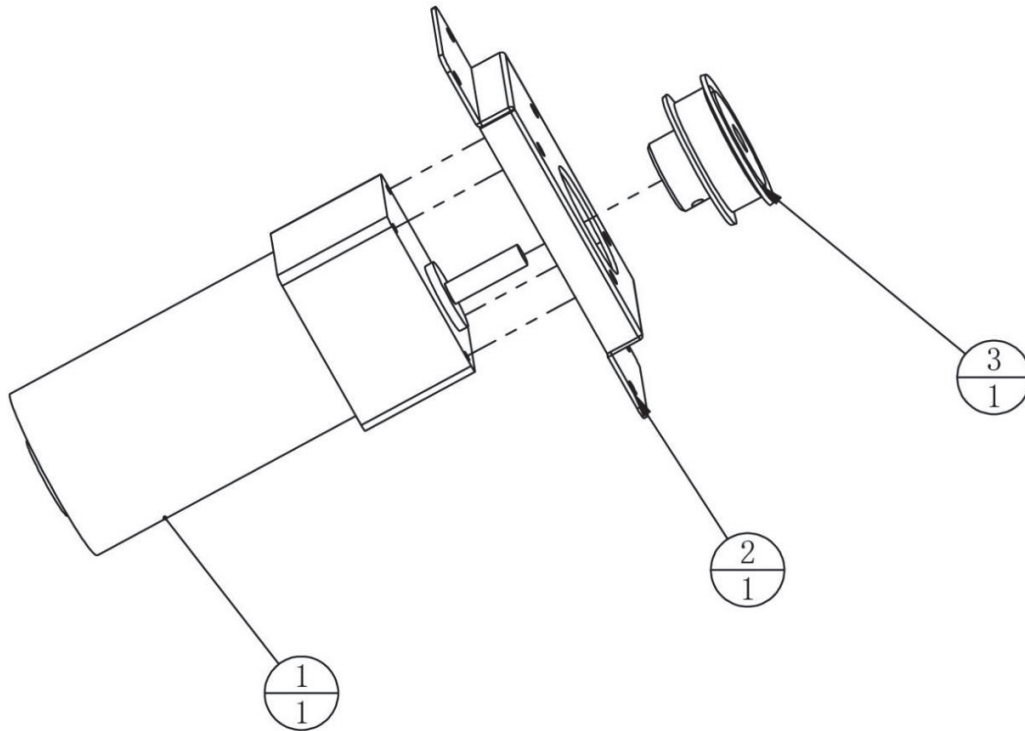
6.4 Beam Assembly

6.4 Beam Assembly



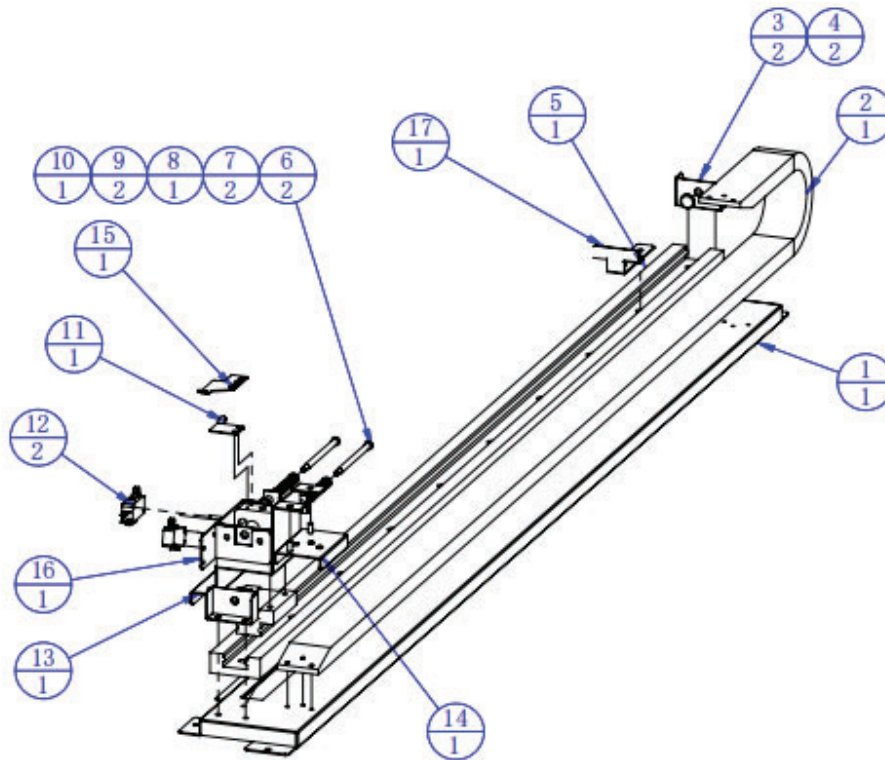
19	ACG3-0200D04	Beam R cover		1	
18	ACG3-0200D05	Beam L cover		1	
17	ACG3-0204000	Disinfection assembly		1	
16	ACG3-0200D01	Beam end plate	PMMA-5.0T	1	
15		5050 LED	DC 12V RGB 150	1	
14	ACG3-0200A04	Beam end lamp plate	SPCC-1.2T	1	
13	ACG3-0203000	Guide wheel assembly		1	
12	ACG3-0205000	Synchronous pulley assembly		1	
11	ACG3-0200A08	Beam upper cover	SPCC-1.2T	3	
10		5050 LED	DC 12V RGB 650	2	
9	ACG3-0200D02	Beam shading plate	PMMA-3.0T	2	
8	ACG3-0200A07	Beam light panel	SECC-1.2T	2	
7	ACG3-0202000	Slider assembly		1	
6	ACG3-0200A06	Belt cover	SECC-1.0T	1	
5	ACG3-0200A01	Belt retainer	SPCC-1.5T	1	
4		Synchronous belt	S5M-2670-10	1	
3	ACG3-0201000	Motor assembly		1	
2		Sensor	KI1303-AALF	2	
1	ACG3-0200A05	Support frame		1	
No.	Drawing No.	Name	Specification	Qty	Other

6.4.1 Motor Assembly



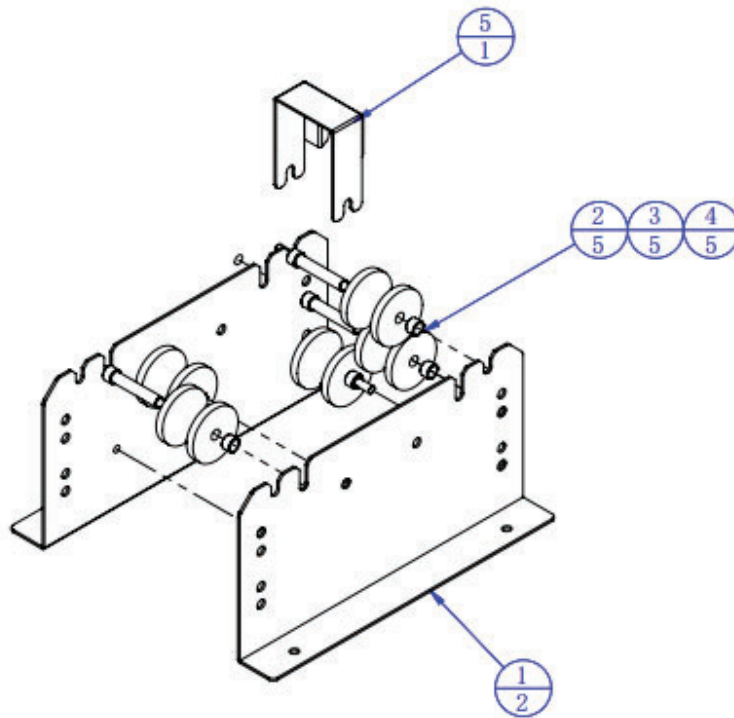
3	ACG3-0201A02	Synchronous pulley 1	5083	1	
2	ACG3-0201A01	Motor plate	SPCC-1.5T	1	
1		Motor	Z2D25-24GN-30s/2GN30K	1	
No.	Drawing No.	Name	Specification	Qty	Other

6.4.2 Slide Assembly



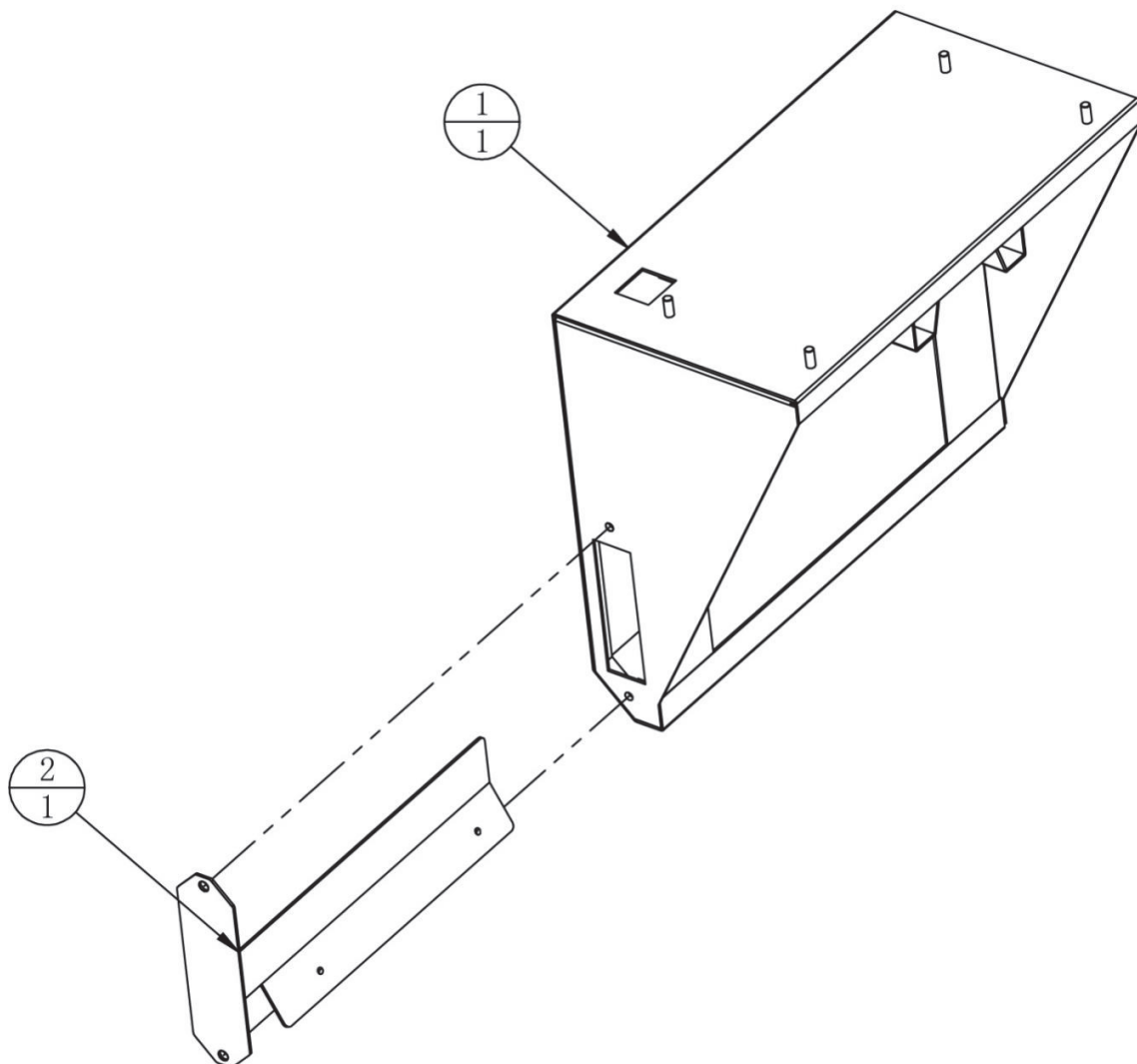
17	ACG3-0202A12	Detent plate	SECC-1.5T	1	
16	ACG3-0202A11	Switch frame	SECC-1.2T	1	
15	ACG3-0202A10	Switch plank	SECC-1.0T	1	
14	ACG3-0202A06	Chain slot plate	SPCC-1.2T	1	
13	ACG3-0202A01	Guide plate		1	
12		Switch	RV-165-1C25(3P)	1	
11	ACG3-0202A05	Switch plate	SPCC-1.0T	1	
10	ACG3-0202A09	Bearing limit plate	SPCC-1.0T	1	
9		Bearing	LM5UU	2	
8	ACG3-0202A03	Guide block	AL	1	
7	ACG3-0202A04	Guide spring	65Mn	2	
6	ACG3-0202A02	Guide rod	Q235	2	
5		Guide	SGR15+SGB15-3 1120	1	
4		Rubber pad	φ8.5*φ6.8*φ14.5*H6mm	2	
3	ACG3-0202A07	Limit plate	SPCC-1.2T	2	
2		Drag chain	10*30/18/1400	1	
1	ACG3-0202A08	Guide rail plate	SPCC-1.2T	1	
No.	Drawing No.	Name	Specification	Qty	Other

6.4.3 Guide Wheel Assembly



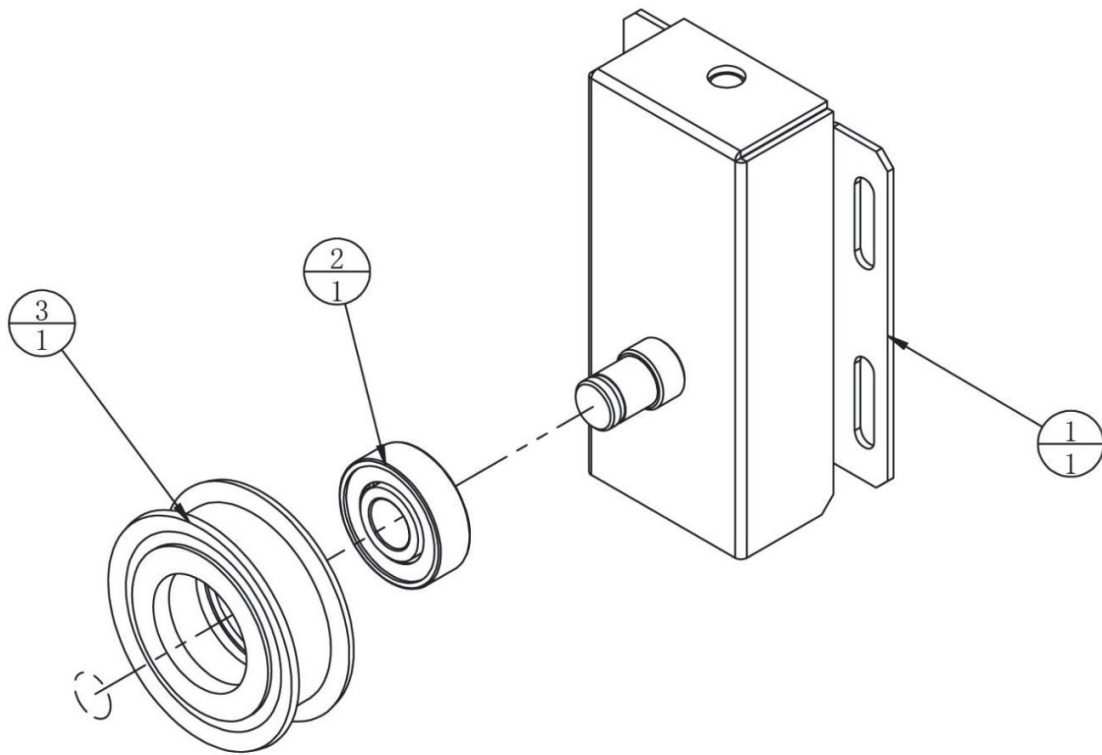
5	ACG3-0203A04	Rope limit plate	SPCC-1.2T	1	
4	ACG3-0203A03	Spacer	Q235	5	
3	ACG3-0203A02	Guide wheel shaft	Q235	5	
2		Pulley	U 1.2'	5	
1	ACG3-0203A01	Guide wheel plate	SPCC-1.5T	2	
No.	Drawing No.	Name	Specification	Qty	Other

6.4.4 Disinfection Assembly



2	ACG3-0204A02	Disinfection lamp plate		1	
1	ACG3-0204A01	Disinfection lamp holder		1	
No.	Drawing No.	Name	Specification	Qty	Other

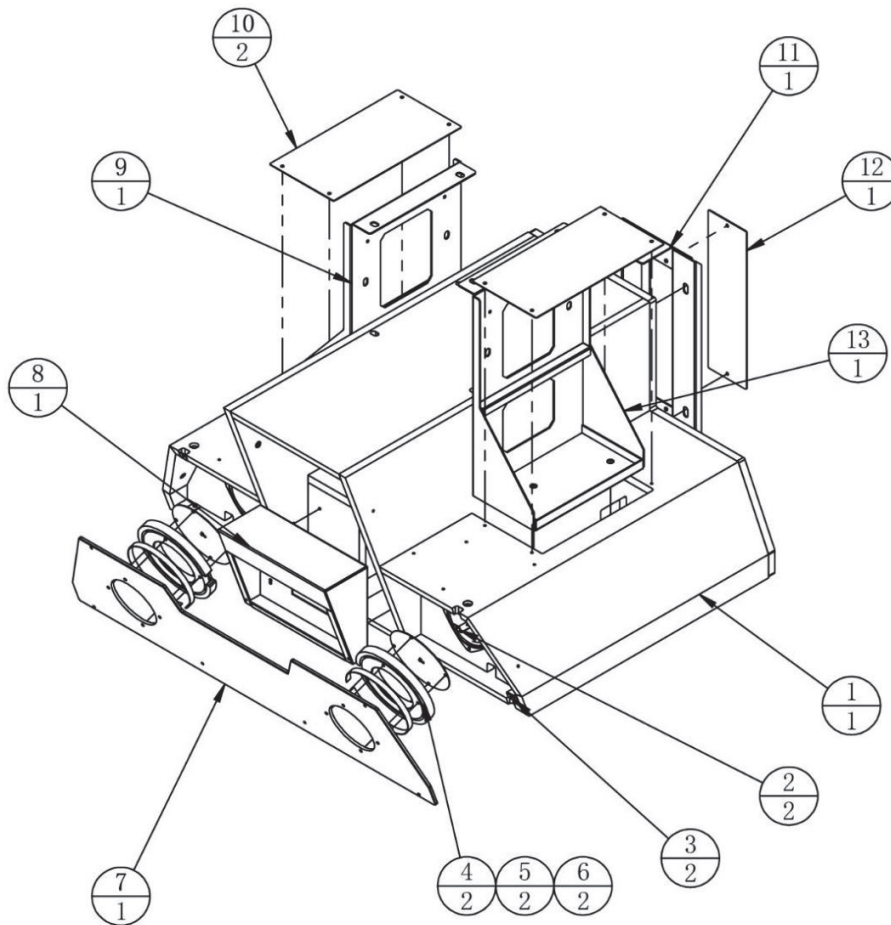
6.4.5 Synchronous Pulley Assembly



3	ACG3-0205A02	Synchronous pulley 2	5083	1	
2		Bearing	6000-2Z	1	
1	ACG3-0205A01	Belt pulley plate		1	
No.	Drawing No.	Name	Specification	Qty	Other

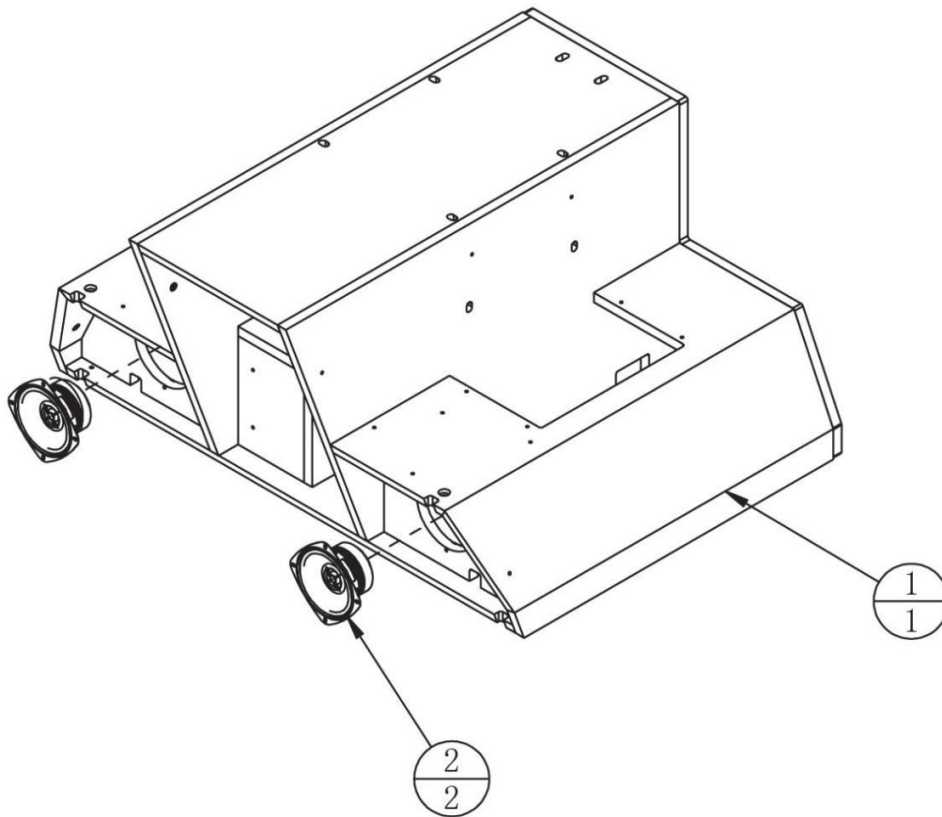
6.5 Light-box Assembly

6.5 Light-box Assembly



13	ACG3-0300A09	Beam side plate 2	SPCC-2.0T	1	
12	ACG3-0300A08	Light box rear cover	SPCC-1.2T	1	
11	ACG3-0300A03	Beam fixing plate	SPCC-2.0T	1	
10	ACG3-0300A05	Light box upper cover	SPCC-1.2T	2	
9	ACG3-0300A04	Beam side plate 1	SPCC-2.0T	1	
8	ACG3-0300A06	Beam support plate	SPCC-2.0T	1	
7	ACG3-0300D01	Speaker cover	PMMA-5.0T	1	
6	ACG3-0300A07	Speaker net		2	
5		5050 LED	DC12V RGB 400	2	
4	ACG3-0300D02	Light guide plate	PMMA-15.0T	2	
3	ACG3-0300A02	Fixing plate 2	SECC-1.2T	2	
2	ACG3-0300A01	Fixing plate 1	SECC-1.2T	2	
1	ACG3-0301000	Light box wooden assembly		1	
No.	Drawing No.	Name	Specification	Qty	Other

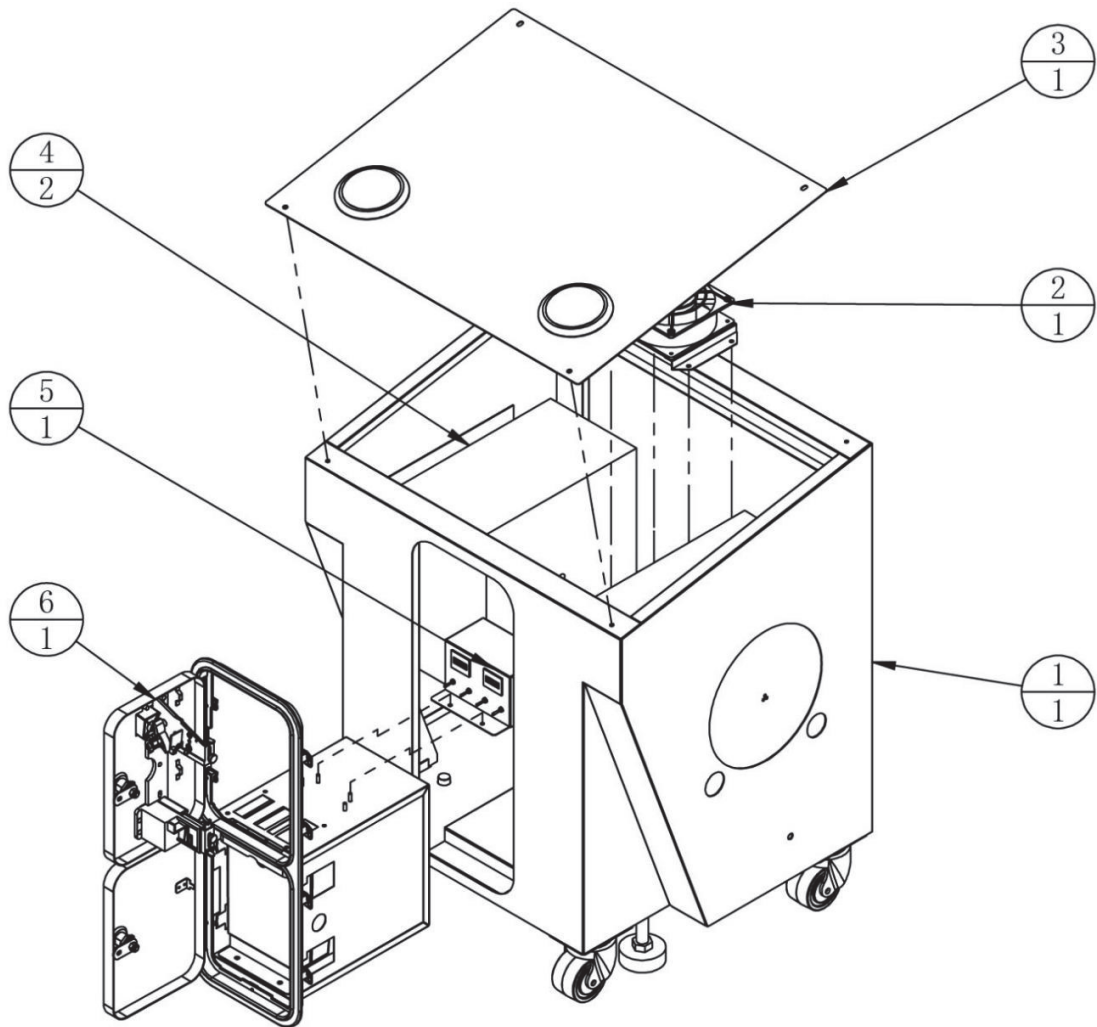
6.5.1 Light-box Wooden Assembly



2		Speaker	4' 4Ω 40W	2	
1	ACG3-0301B01	Light box frame		1	
No.	Drawing No.	Name	Specification	Qty	Other

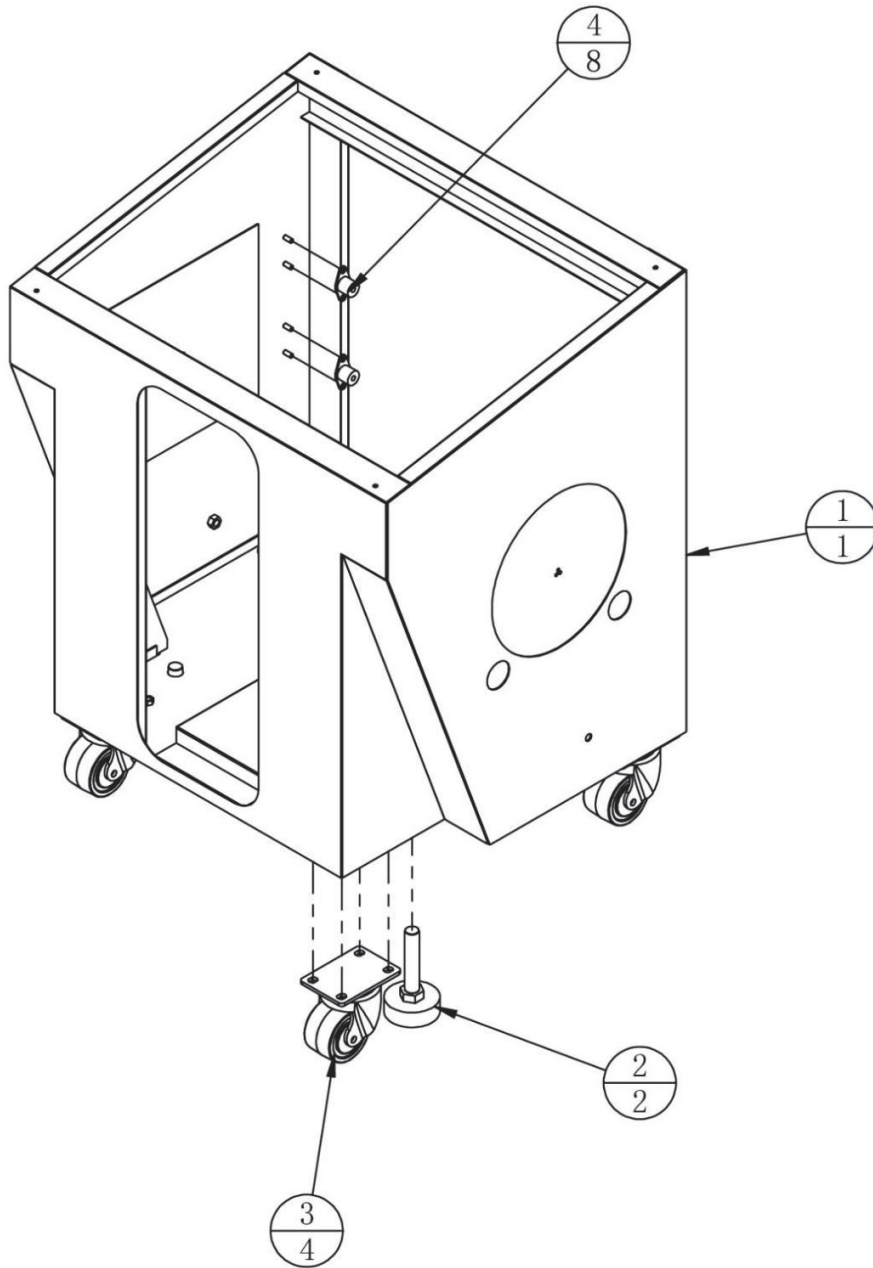
6.6 Console Assembly

6.6 Console Assembly



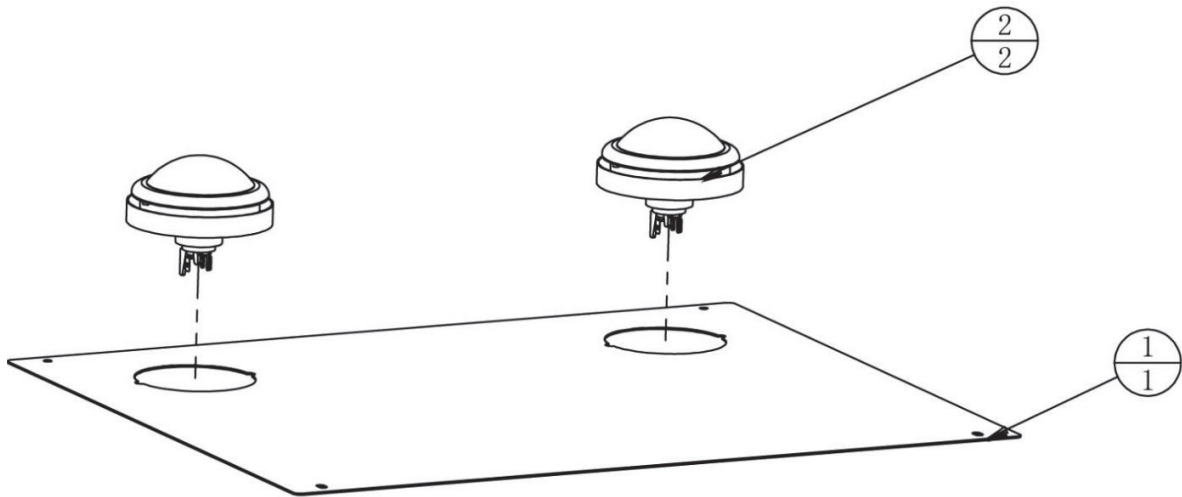
6		Coin door	10429800	1	
5	ACG3-0405000	Service panel assembly		1	
4	ACG3-0403000	Woofer assembly		2	
3	ACG3-0402000	Console panel assembly		1	
2	ACG3-0404000	Fan rear assembly		1	
1	ACG3-0401000	Console frame assembly		1	
No.	Drawing No.	Name	Specification	Qty	Other

6.6.1 Console Frame Assembly



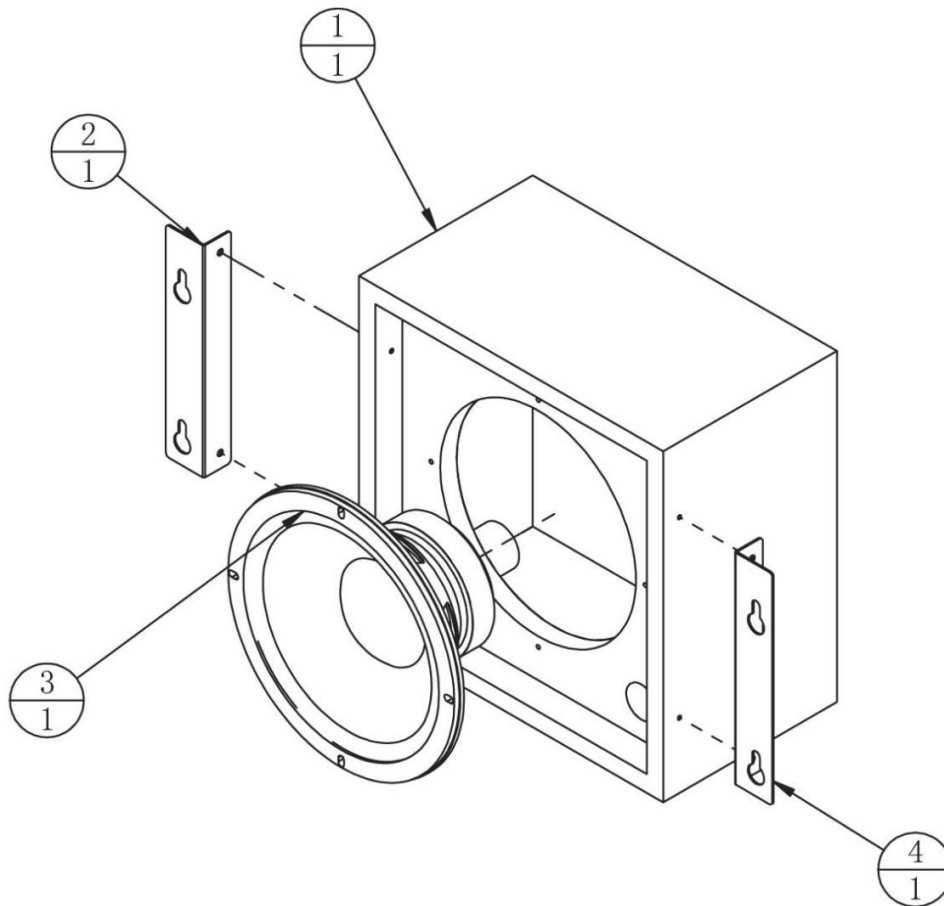
4		Foot base		8	
3		Casters	2.5'	4	
2		Anchor	M16*100	2	
1	ACG3-0401A01	Console		1	
No.	Drawing No.	Name	Specification	Qty	Other

6.6.2 Console Panel Assembly



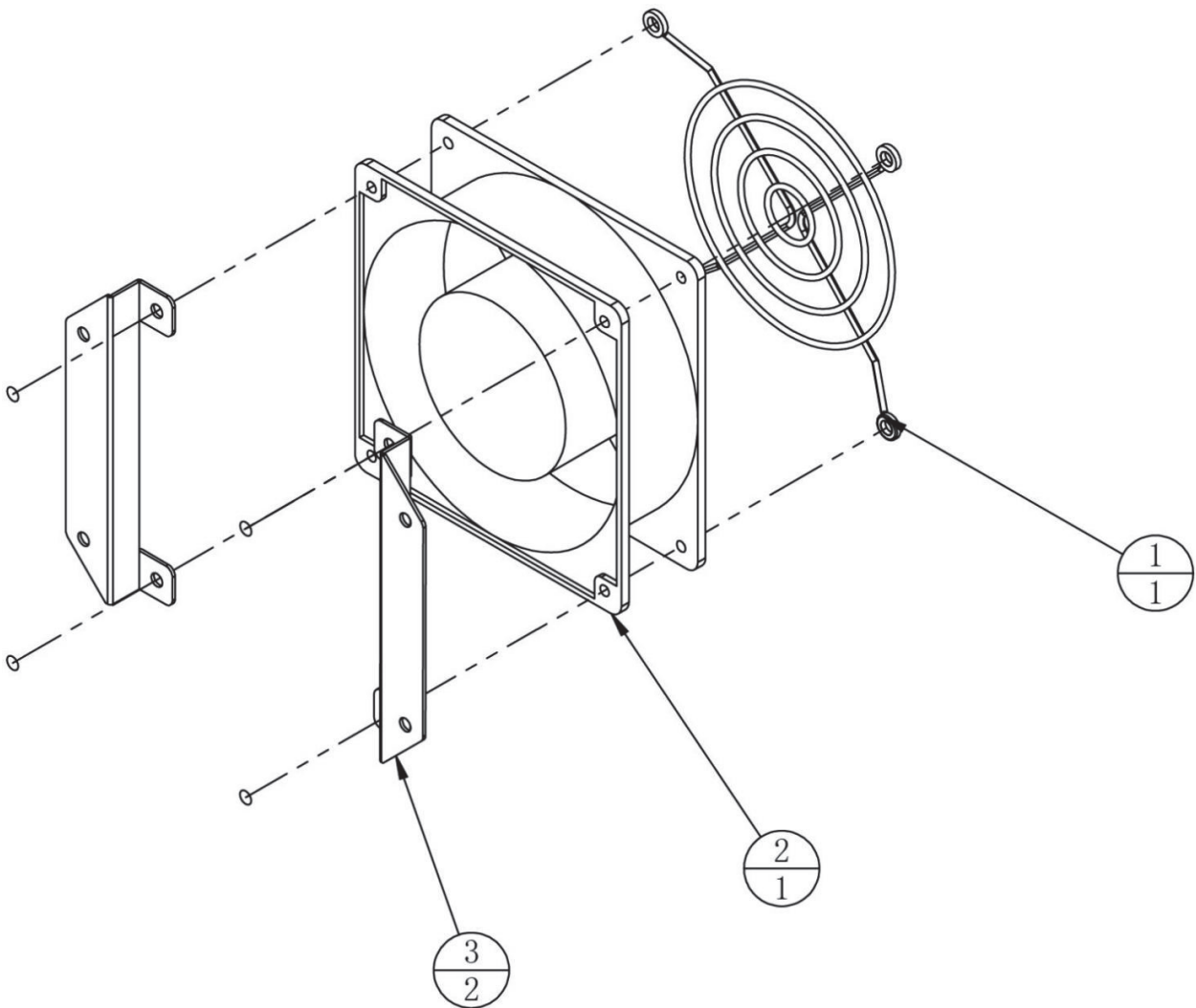
2		Button	φ100-DOME-CW凸	2	
1	ACG3-0402A01	Console cover	SPCC-1.2T	1	
No.	Drawing No.	Name	Specification	Qty	Other

6.6.3 Woofer Assembly



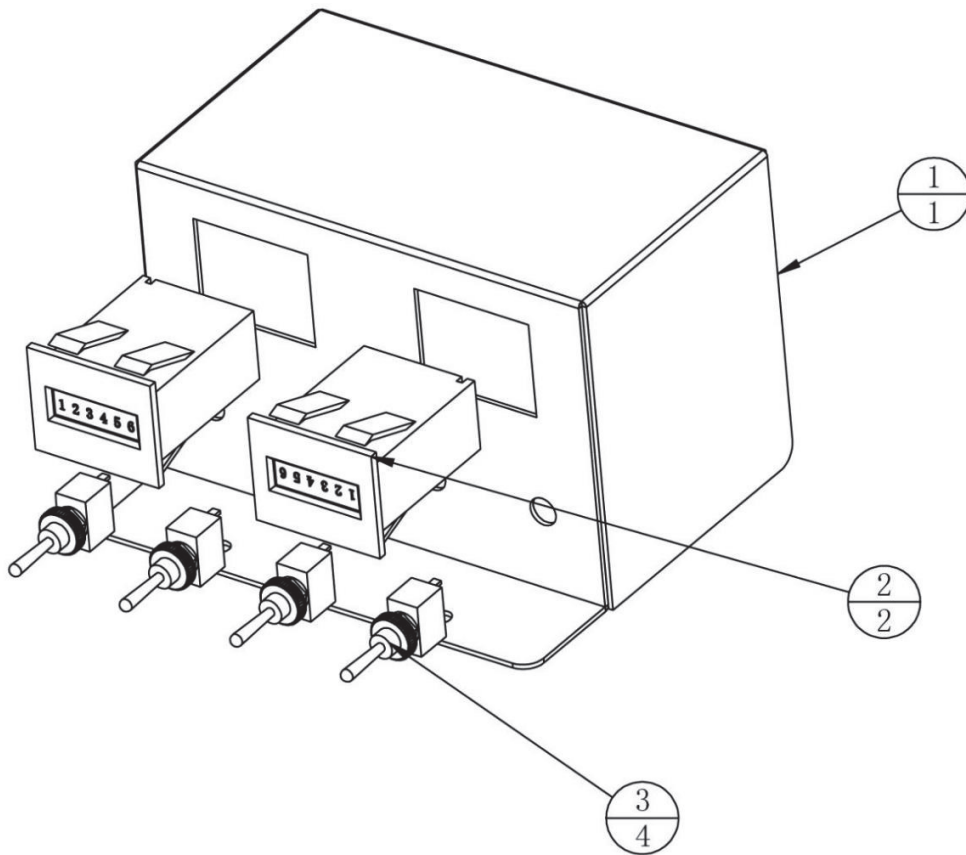
4	ACG3-0403A01	Woofer plate 1	SECC-1.2T	1	
3		Woofer	8吋8Ω/120W	1	
2	ACG3-0403A02	Woofer plate 2	SECC-1.2T	1	
1	ACG3-0403B01	Woofer box	MDF-15.0T	1	
No.	Drawing No.	Name	Specification	Qty	Other

6.6.4 Fan Rear Assembly



3	ACG3-0404A01	Fan plate	SPCC-1.2T	2	
2		Fan	SENSDAR SD12038M2B DC24V 0.35A	1	
1		Fan net	120*120	1	
No.	Drawing No.	Name	Specification	Qty	Other

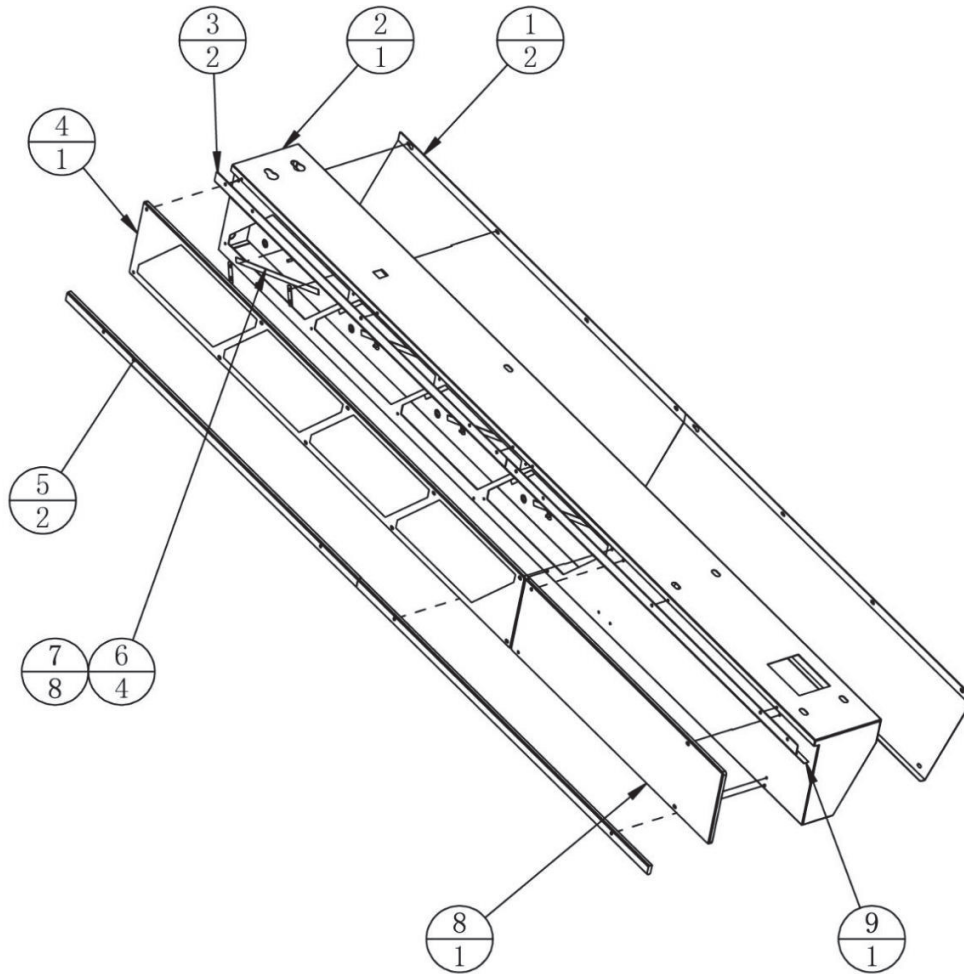
6.6.5 Service Panel Assembly



3		Switch	3P KNX123D	4	
2		Counter	DC 5V	2	
1	ACG3-0405A01	Service panel	SECC-1.2T	1	
No.	Drawing No.	Name	Specification	Qty	Other

6.7 L Side Frame Assembly

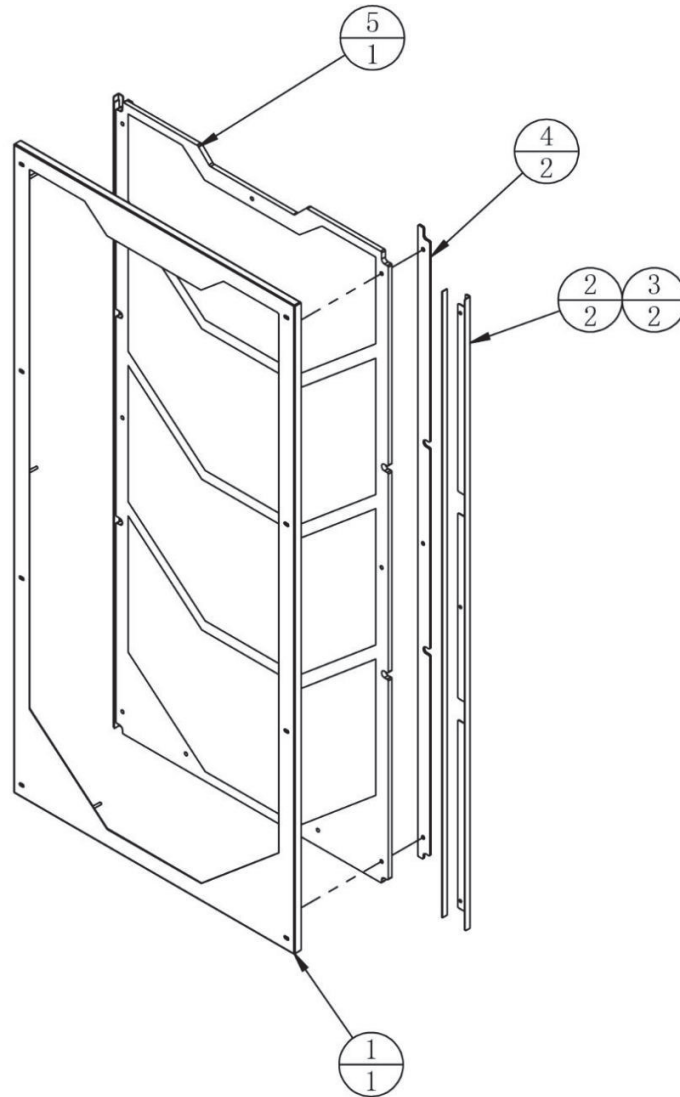
6.7 L Side Frame Assembly



9		5050 LED	SK6812 1800	1	
8	ACG3-0500D03	Lower left trim	PMMA-8.0T	1	
7	ATV-0101D02	LED plate	PVC-0.5T	8	
6		5050 LED	SK6812 250	4	
5	ACG3-0500D01	Side light guide plate	PMMA-8.0T	2	
4	ACG3-0500D02	Upper left trim	PMMA-8.0T	1	
3	ACG3-0500A03	Light cover	SPCC-1.2T	2	
2	ACG3-0500A01	Left side frame	SPCC	1	
1	ACG3-0500A02	Left frame cover	SPCC-1.0T	2	
No.	Drawing No.	Name	Specification	Qty	Other

6.8 Middle Frame Assembly

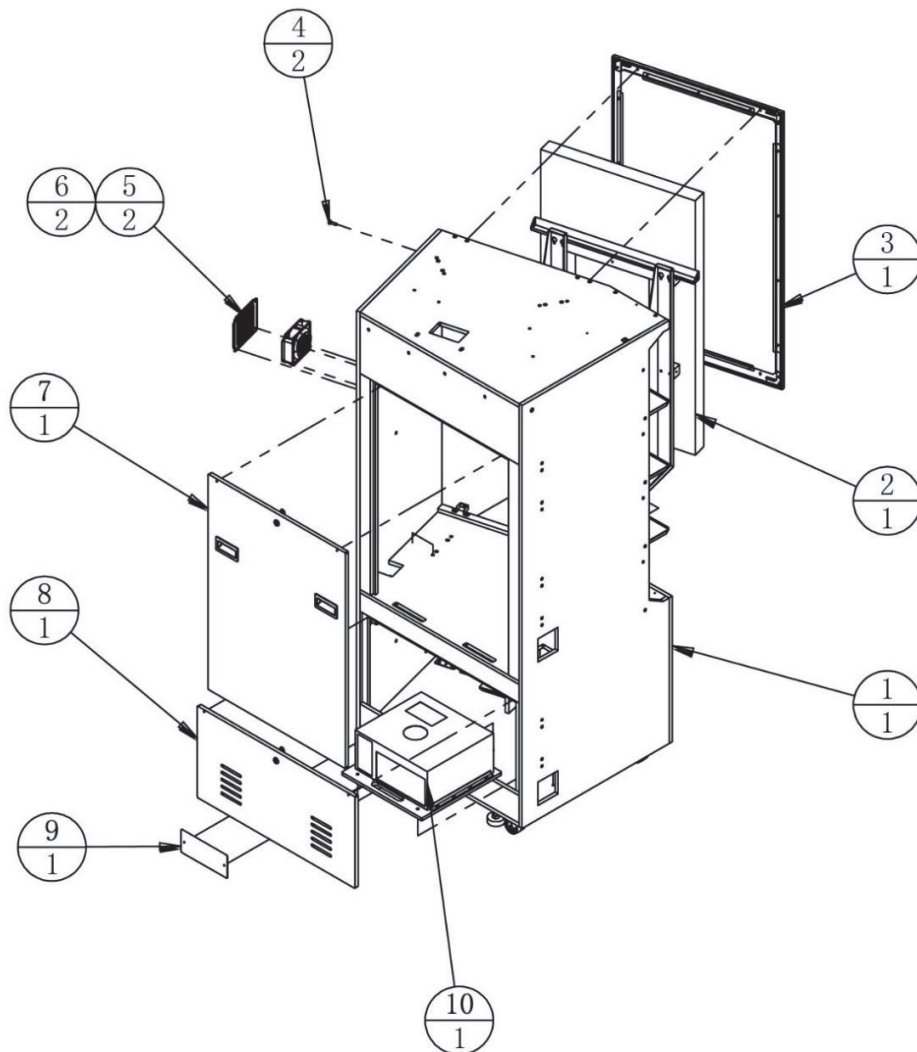
6.8 Middle Frame Assembly



5	ACG3-0600D01	Middle trim panel	PMMA-8.0T	1	
4	ACG3-0600D02	Base plate	PMMA-3.0T	2	
3		5050 LED	SK6812 1200	2	
2	ACG3-0600A02	Middle light plate	SPCC-1.2T	2	
1	ACG3-0600A01	Middle frame	SPCC-1.5T	1	
No.	Drawing No.	Name	Specification	Qty	Other

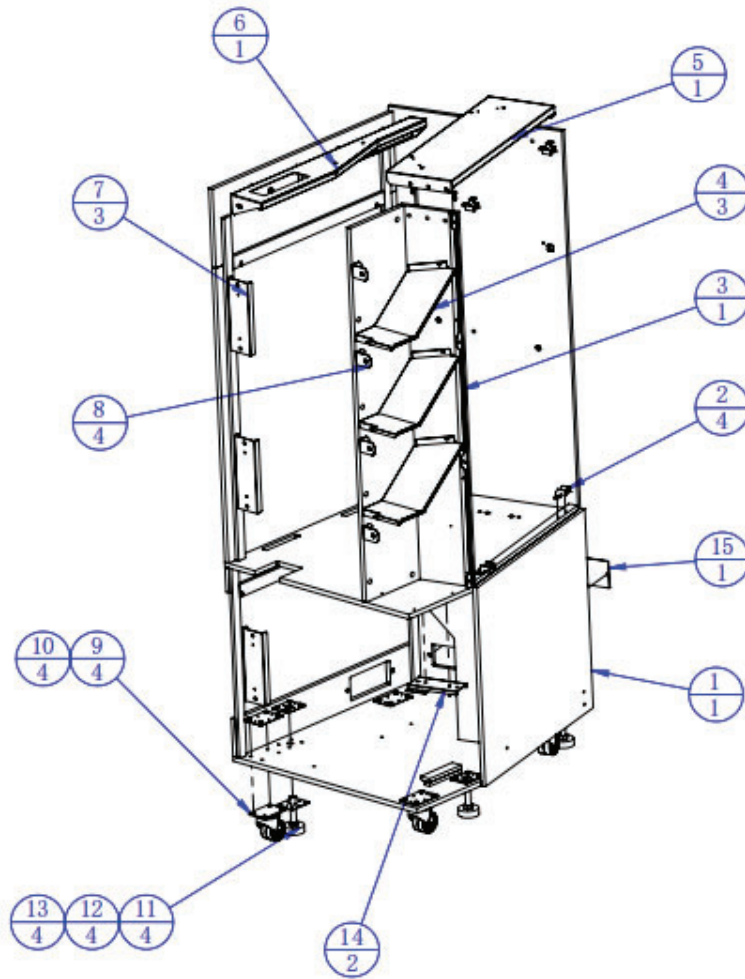
6.9 R Monitor Frame Assembly

6.9 R Monitor Frame Assembly



10	ACG3-0104000	PC assembly		1	
9	ACG3-0700A01	Down cover	SPCC-1.2T	1	
8	ACG3-0105000	PC door assembly		1	
7	ACG3-0106000	Monitor door assembly		1	
6	ATV-0214000	Fan assembly		2	
5		Plastic net	253-5460	2	
4	ACG3-0100A01	Side frame fixings	Q235	2	
3	ACG3-0102000	Monitor glass assembly		1	
2	ACG3-0103000	Monitor assembly		1	
1	ACG3-0701000	R wooden frame assembly		1	
No.	Drawing No.	Name	Specification	Qty	Other

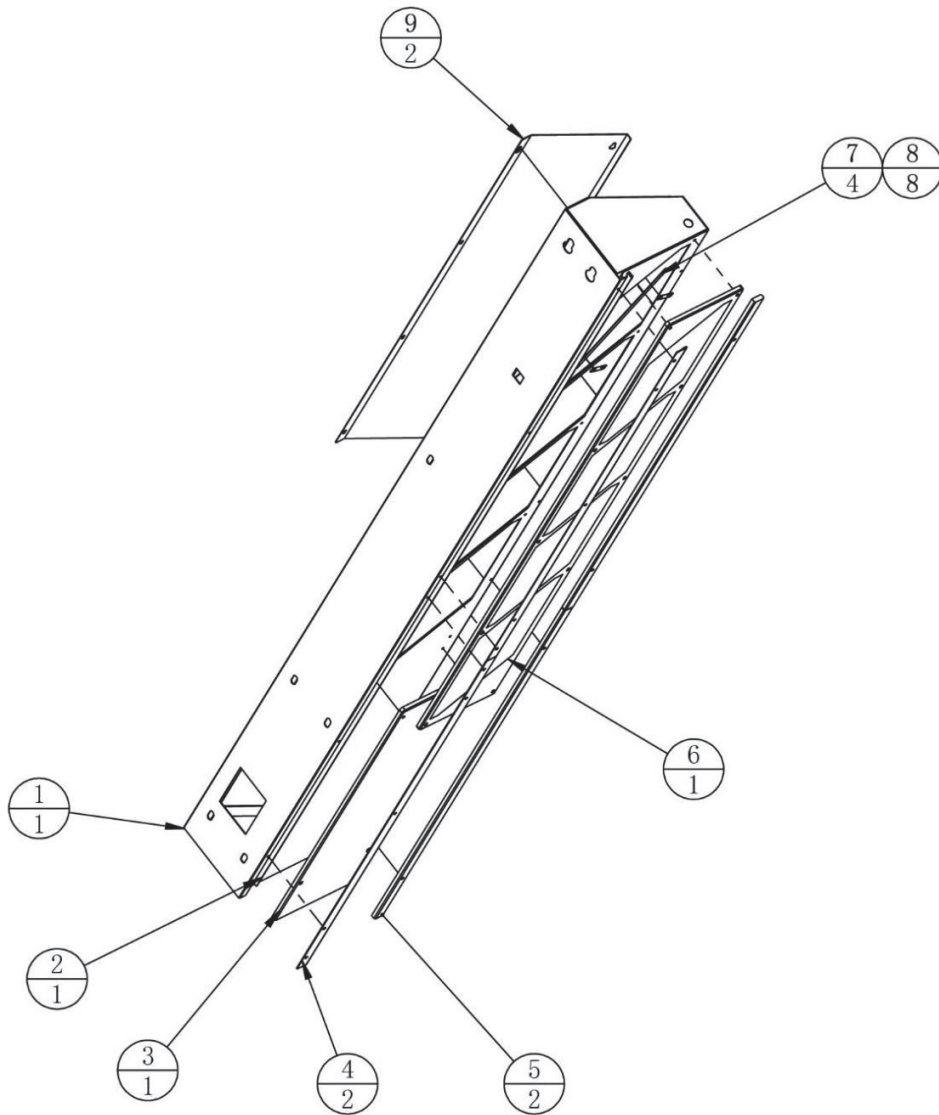
6.9.1 R Wooden Frame Assembly



15	ACG3-0101A10	Side cover	SPCC-1.2T	1	
14	ACG3-0101A01	Monitor reinforcing plate	SPCC-2.0T	2	
13	ATV-0201A05	Anchor fixing iron	SPCC-2.0T	4	
12	ATV-0201A07	Anchor plate	SPCC-2.0T	4	
11		Anchor	M16*100	4	
10	ATV-0201A06	Casters fixed iron	SPCC-2.0T	4	
9		Casters	2.5'	4	
8	ACG3-0701A04	Frame connecting 4	SECC-1.5T	4	
7	ACG3-0701A03	Frame connecting 3	SECC-2.0T	3	
6	ACG3-0701A02	Right reinforcing plate	SECC-2.5T	1	
5	ACG3-0101A07	Light box support		1	
4	ACG3-0701A01	Middle diaphragm 2	SECC-1.2T	3	
3	ACG3-0101A05	Middle frame plate	SPCC-1.2T	1	
2	ACG3-0101A06	Glass frame plate	SPCC-1.2T	4	
1	ACG3-0701B01	R wooden frame	MDF	1	
No.	Drawing No.	Name	Specification	Qty	Other

6.10 R Side Frame Assembly

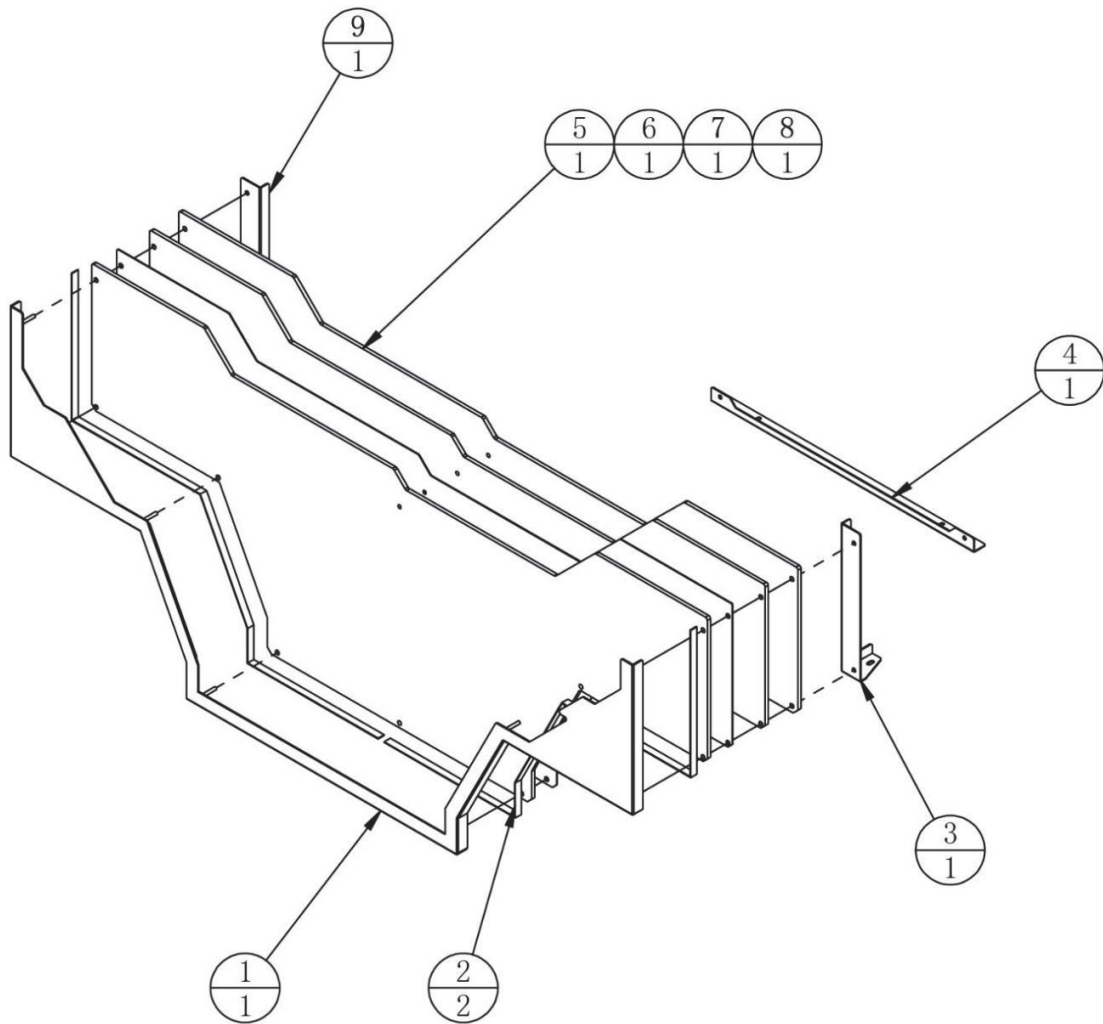
6.10 R Side Frame Assembly



9	ACG3-0800A02	Right frame cover	SPCC-1.0T	2	
8	ATV-0101D02	LED plate	PVC-0.5T	8	
7		5050 LED	SK6812 250	4	
6	ACG3-0800D02	Upper right trim	PMMA-5.0T	1	
5	ACG3-0500D01	Side light guide plate	PMMA-8.0T	2	
4	ACG3-0500A03	Light cover	SPCC-1.2T	2	
3	ACG3-0800D01	Lower right trim	PMMA-5.0T	1	
2		5050 LED	SK6812 1800	1	
1	ACG3-0800A01	Right side frame	SPCC	1	
No.	Drawing No.	Name	Specification	Qty	Other

6.11 LOGO Assembly

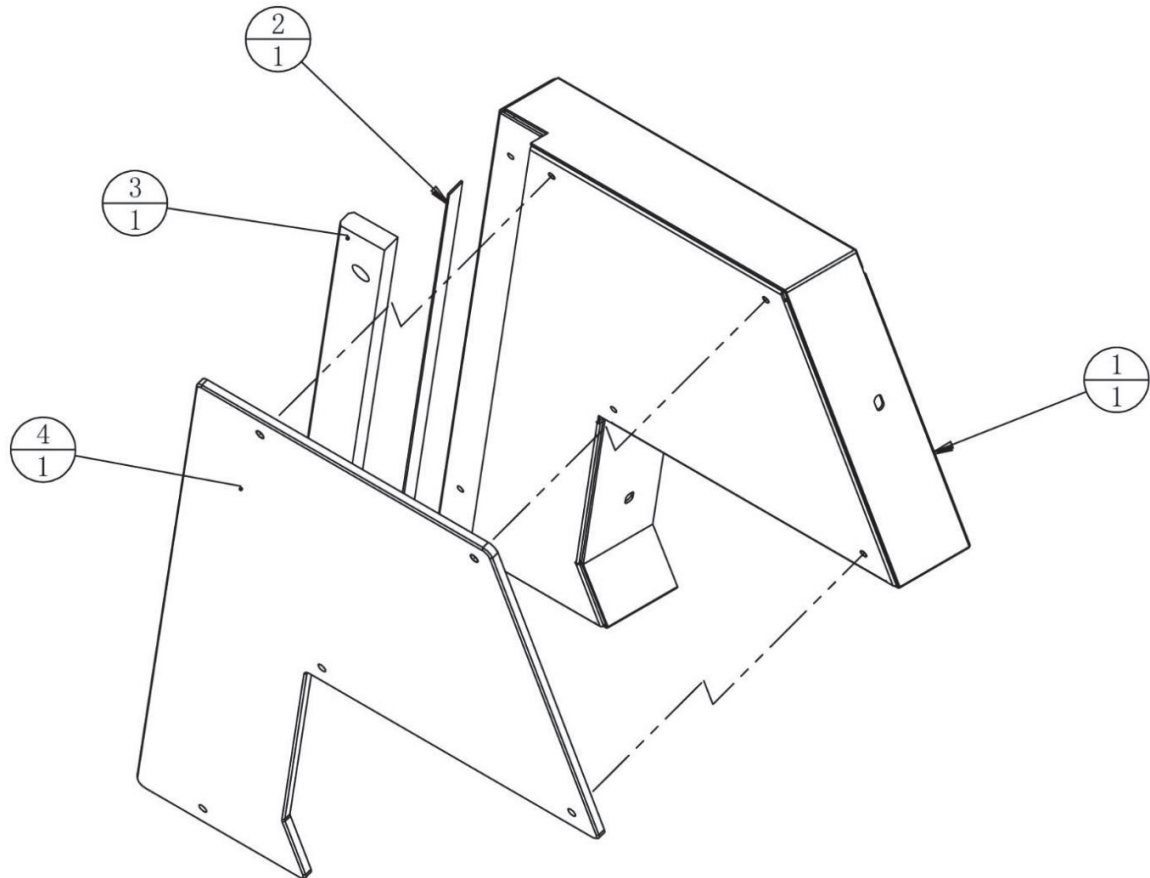
6.11 LOGO Assembly



9	ACG3-0900A04	LOGO L support	SPCC-1.5T	1	
8	ACG3-0900D01	LOGO carving	PMMA-5.0T	1	
7	ACG3-0900D02	LOGO printing	PMMA-3.0T	1	
6	ACG3-0900D03	LOGO light guide plate	PMMA-8.0T	1	
5	ACG3-0900D04	Background	PMMA-5.0T	1	
4	ACG3-0900A03	LOGO D support	SPCC-1.5T	1	
3	ACG3-0900A02	LOGO R support	SPCC-1.5T	1	
2		5050 LED	SK6812 850	2	
1	ACG3-0900A01	LOGO frame		1	
No.	Drawing No.	Name	Specification	Qty	Other

6.12 L Upper Frame Assembly

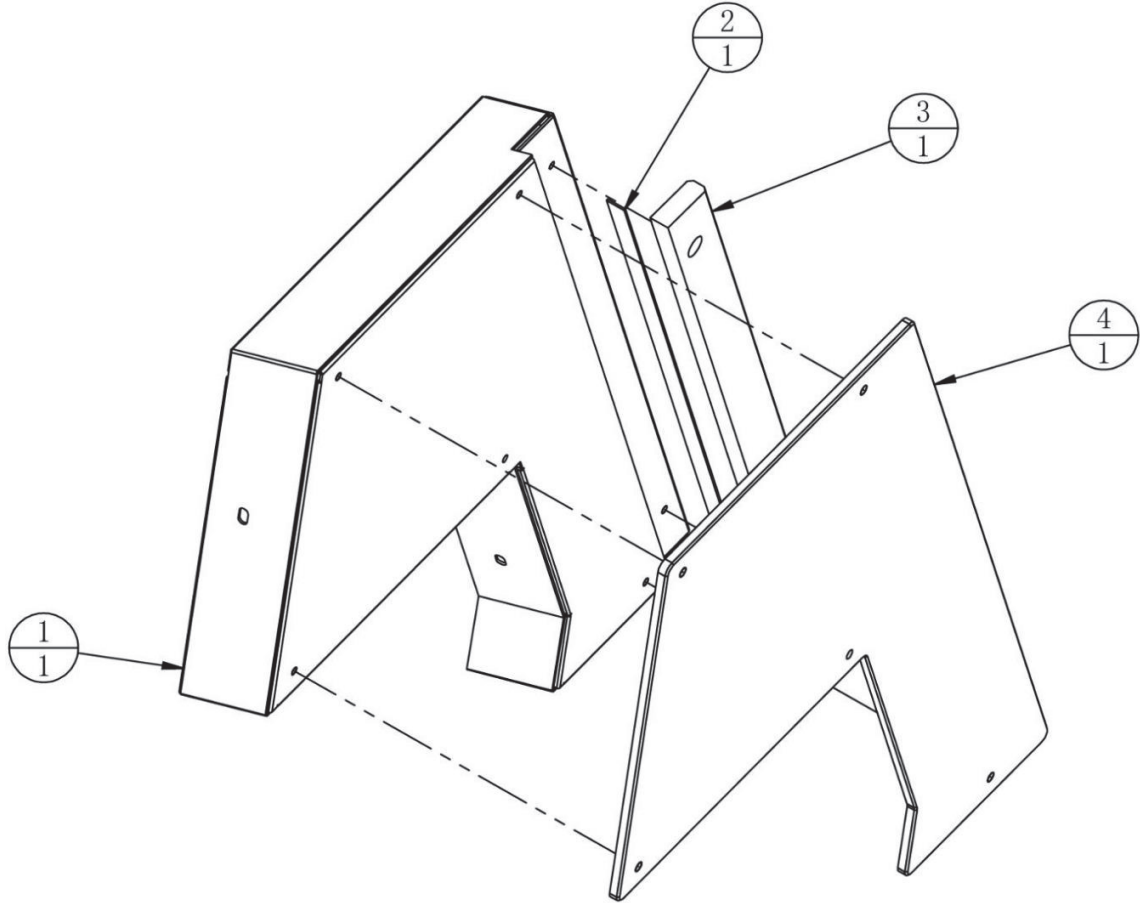
6.12 L Upper Frame Assembly



4	ACG3-1000D02	L top trim	PMMA-5.0T	1	
3	ACG3-1000D01	Upper L light guide	PMMA-10.0T	1	
2		5050 LED	SK6812 450	1	
1	ACG3-1000A01	L upper frame	SPCC	1	
No.	Drawing No.	Name	Specification	Qty	Other

6.13 R Upper Frame Assembly

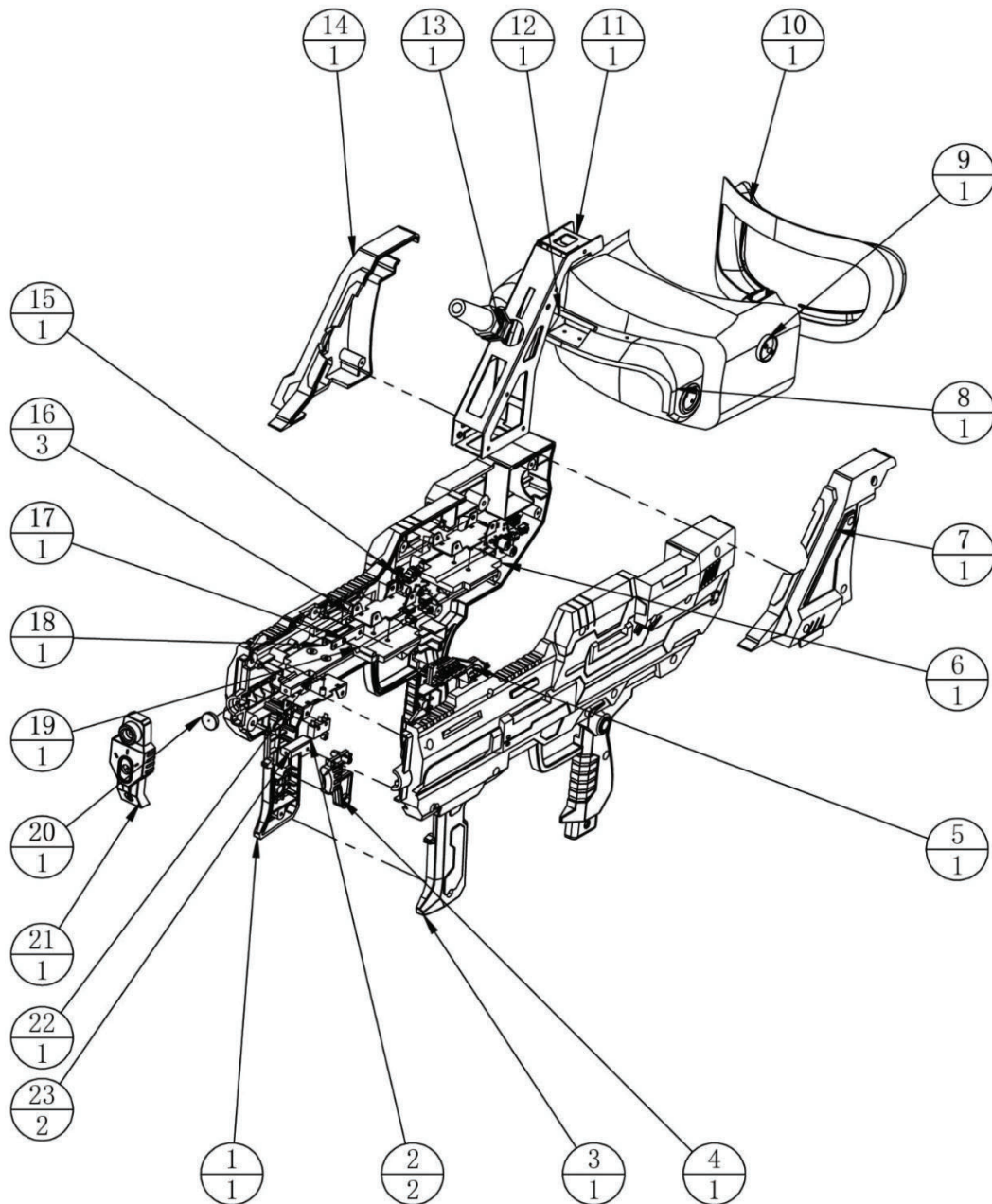
6.13 R Upper Frame Assembly



4	ACG3-1100D02	R top trim	PMMA-5.0T	1	
3	ACG3-1100D01	Upper R light guide	PMMA-10.0T	1	
2		5050 LED	SK6812 450	1	
1	ACG3-1100A01	R upper frame	SPCC	1	
No.	Drawing No.	Name	Specification	Qty	Other

6.14 Gun Assembly

6.14.1 Gun Parts Diagram

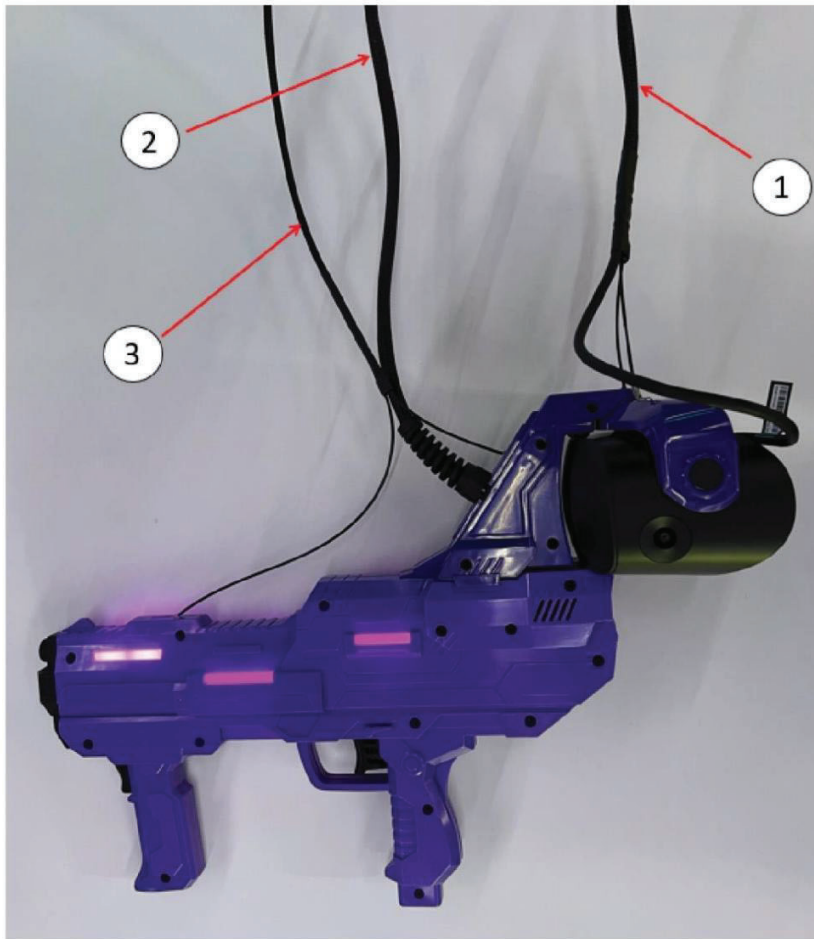


6.14.1 Gun Parts Diagram

Gun Parts Table:

23	ACG-0900A01	Sheath block	AL	2	
22	ACG-0900D01	Light guide acrylic 1	PMMA	1	
21	ACG-0900C06	Sheath		1	
20	ACG-0900D04	Sensor acrylic	PMMA-3.0T	1	
19	ACG-0900A02	Clamp post 1	SUS304	1	
18	ACG-0900A06	Front holder	SECC-1.0T	1	
17	ACG-0900D02	Light guide acrylic 2	PMMA	1	
16	ACG-0900A03	LED plate	SECC-1.0T	3	
15		GUN Sub	BO-100A	1	
14	ACG-0900C09	Frame cover R	ABS	1	
13		Buckle		1	
12	ACG-0900A05	Clamp post 2	SUS304	1	
11	ACG-0900A04	HMD support frame	SECC-1.2T	1	
10	ACG-0900C12	Patch		1	
9		VR HMD	HP Reverb G2	1	
8	ACG-0900C11	HMD frame	ABS	1	
7	ACG-0900C10	Frame cover L	ABS	1	
6	ACG-0900D03	Light guide acrylic 3	PMMA	1	
5	ACG-0900C08	Shoot trigger	ABS	1	
4	ACG-0900C07	Reload trigger	ABS	1	
3	ACG-0900C02	Gun cover L	ABS	1	
2		Switch	ss-01gl2-e	2	
1	ACG-0900C01	Gun cover R	ABS	1	
No.	Drawing No.	Name	Specification	Qty	Other

6.14.2 Gun Wires and Cables



3	ACG3-1200G01	Gun assy wire rope 1		1	
2	ACG3-1200L01	Gun conrtol wire		1	
1	ACG3-1200L02	VR Cable		1	
No.	Drawing No.	Name	Specification	Qty	Other

7. Printing Pattern

7.1 Printing Pattern of Cabinet

