

2.7 Assembly Instruction

WARNING

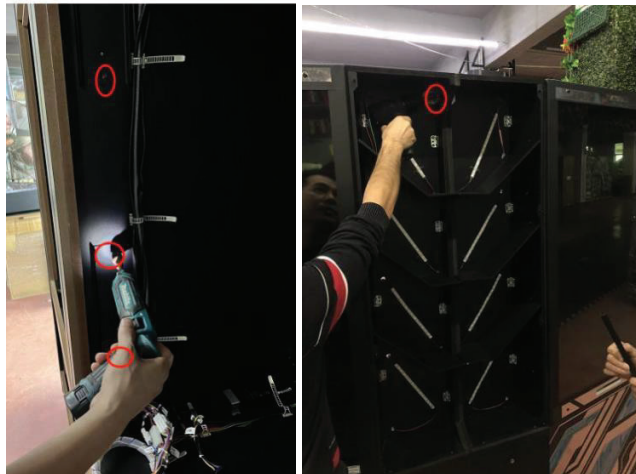
- For safety reasons, 3 people are required for the installation.

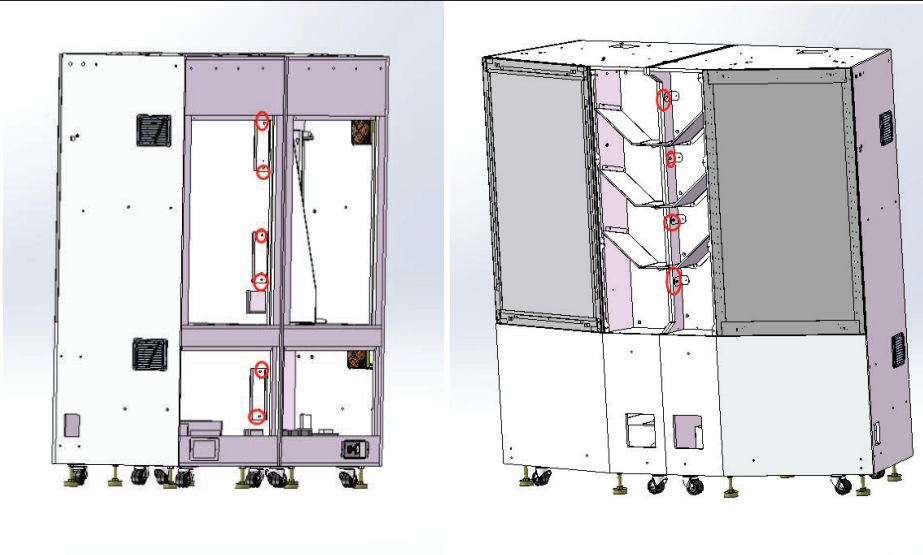
2.7.1 Cabinet Assembly

1. Remove the monitor door & PC door from the L/R monitor cabinet.

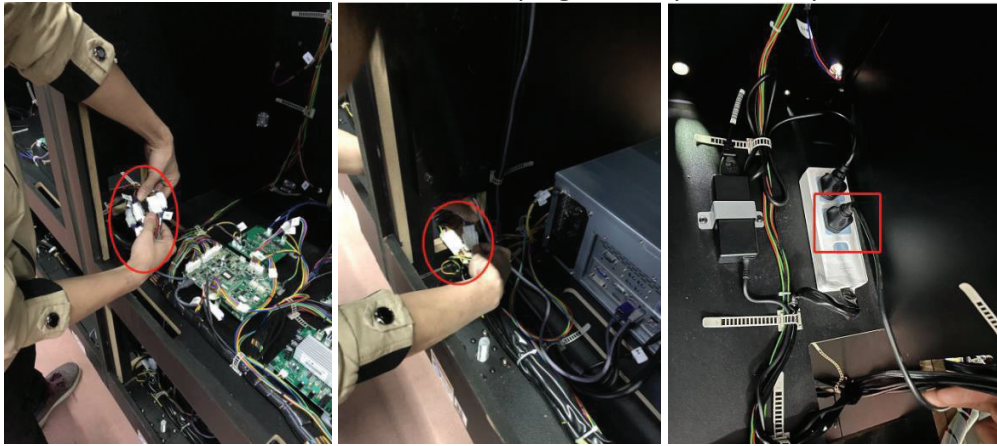


2. Connect the L/R monitor cabinet with 10 screws from the front and back.





3. Connect all wires of L/R monitor cabinet and plug in the 1p VR HMD power cord.



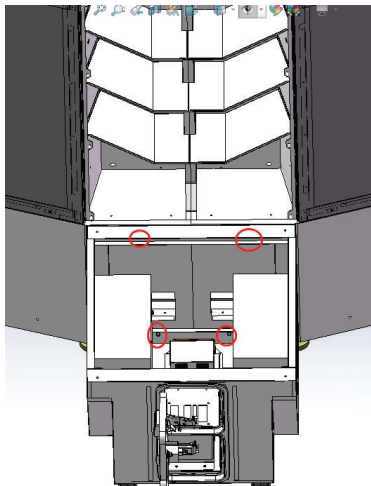
4. Remove the console panel from the console frame.



5. Connect all wires between console and monitor cabinet.



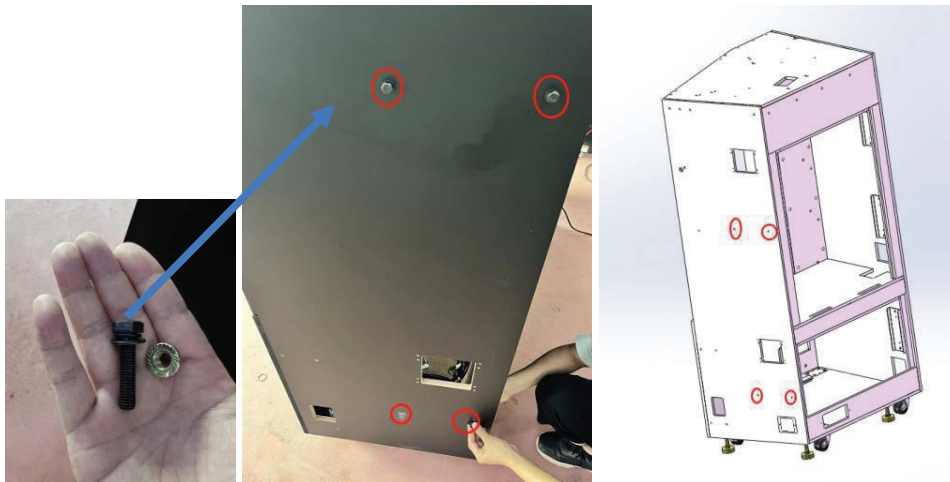
6. Fix the console frame to the L/R monitor cabinet with 4 screws



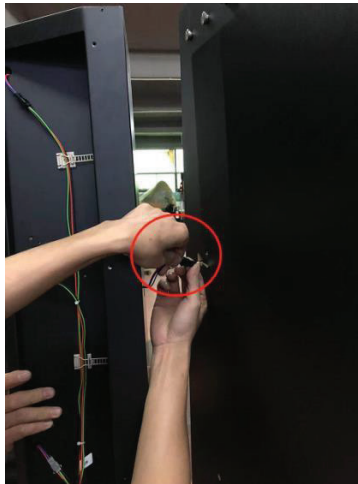
7. Fix the side frame hanger and screw on the L/R side frames.



8. Plug the four holes on the side of the frame with screws and nuts.

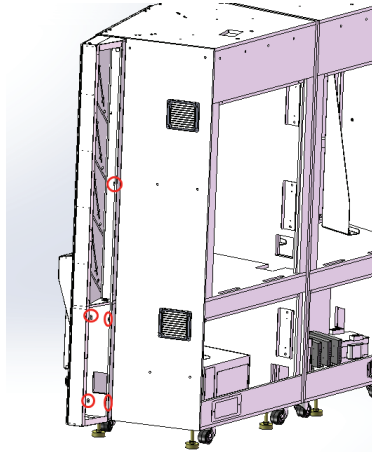


9. Connect the upper wire between the side frame and monitor cabinet.



10. Hang the L/R side frame on the monitor cabinet and fix it with 5 screws.





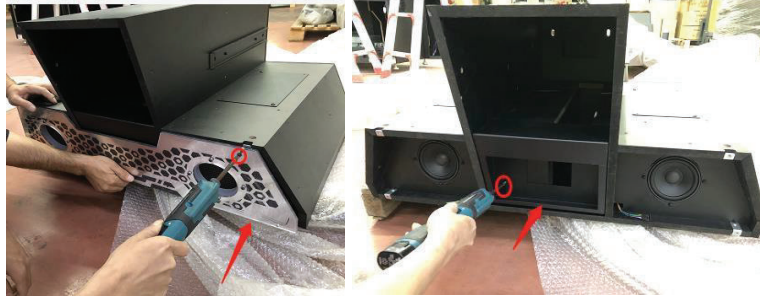
11. Connect the bear wire between the side frame and monitor cabinet.



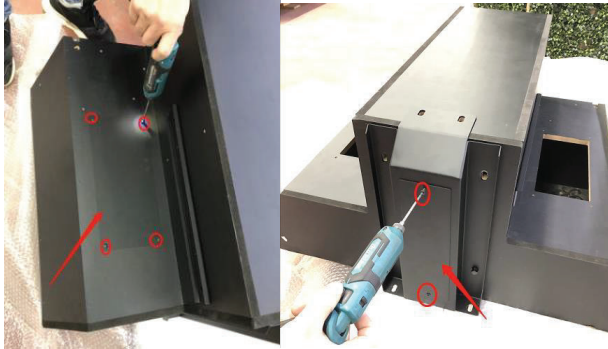
12. Fix the back cover to the side frame.



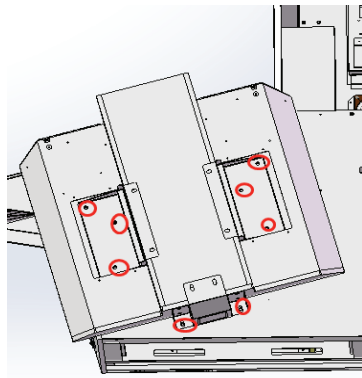
13. Remove the speaker cover and beam support plate from the L/R light box.



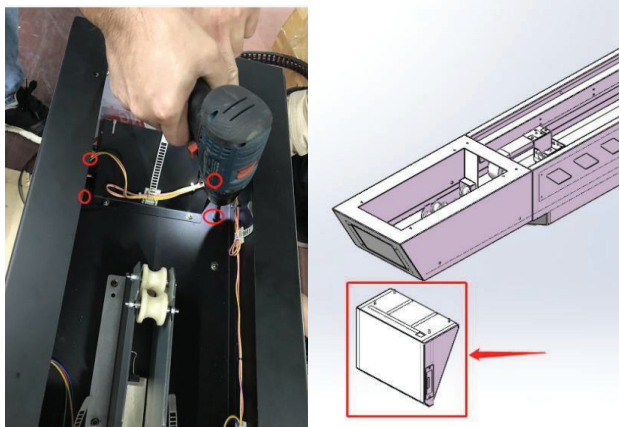
14. Remove the upper cover and rear cover from the L/R light box.



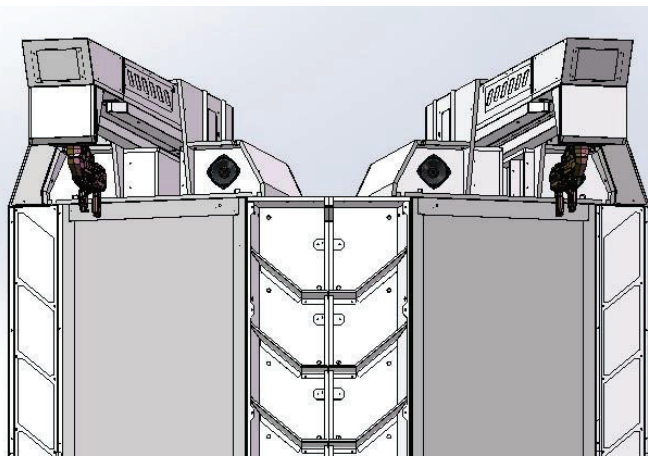
15. Fix the L/R light box frame to the monitor cabinet with screws.



16. Fix the disinfection assembly to the beam assembly.

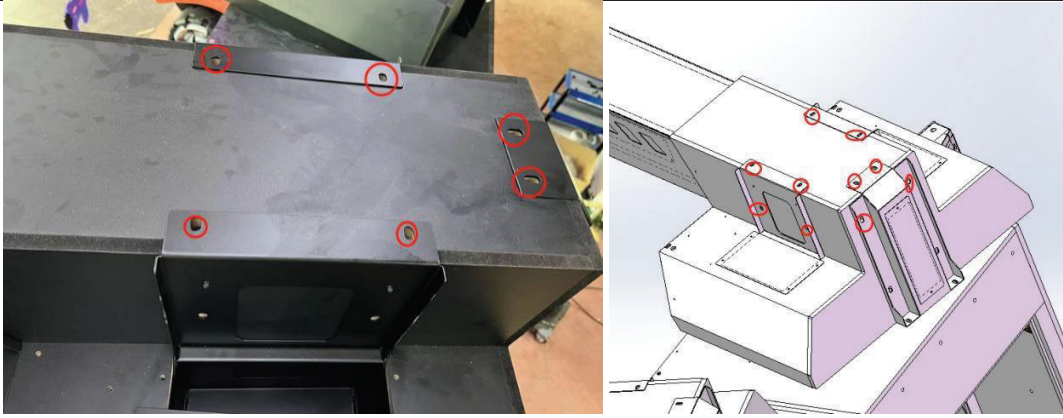


17. Put the beam assembly slowly into the fixing seat of light box.

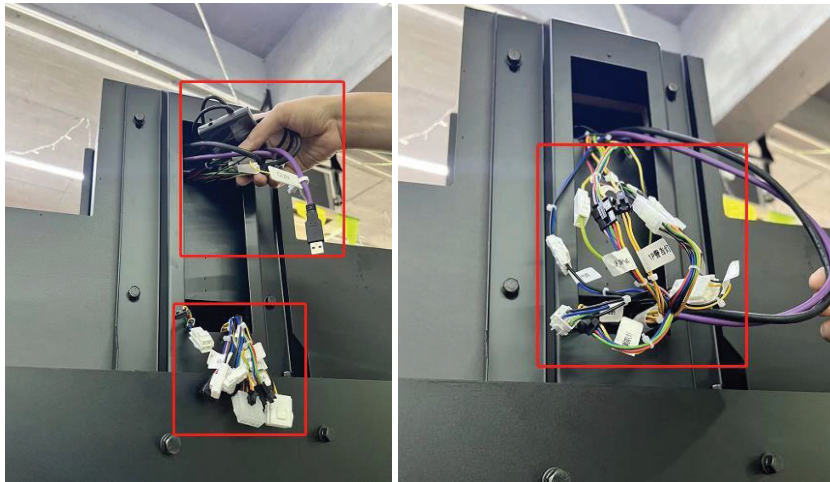


18. Fix the beam assembly to the light box with 12 screws.

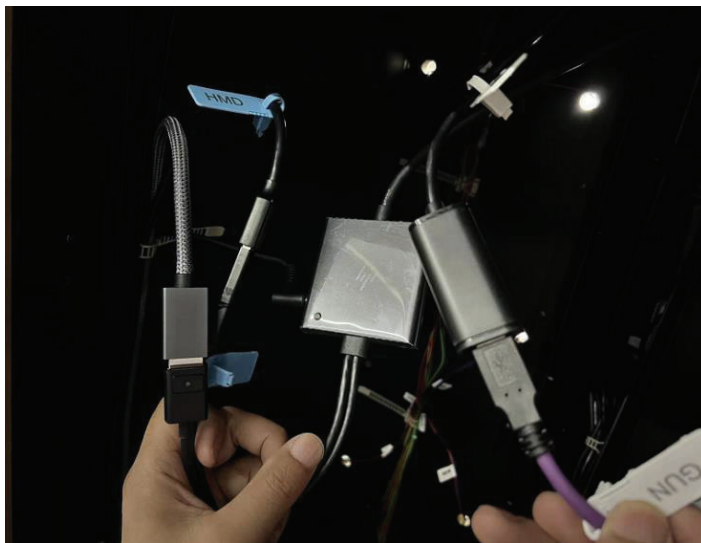


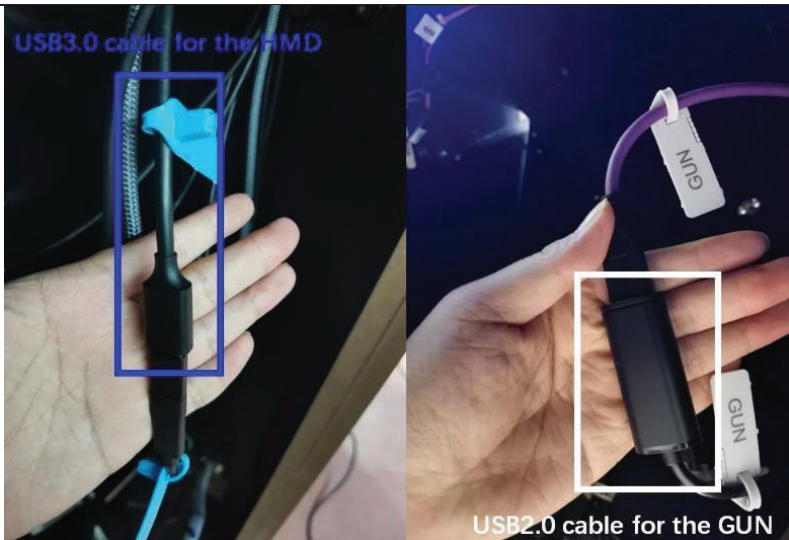


19. Take out the wires of the beam & the light box then connect them with the wires of the monitor frame.



20. Extend the gun wire and VR HMD wire into the monitor frame and connect with the corresponding interface. **Notice: Please connect the USB of the gun cable and the USB of the HMD cable to the correct interface.**

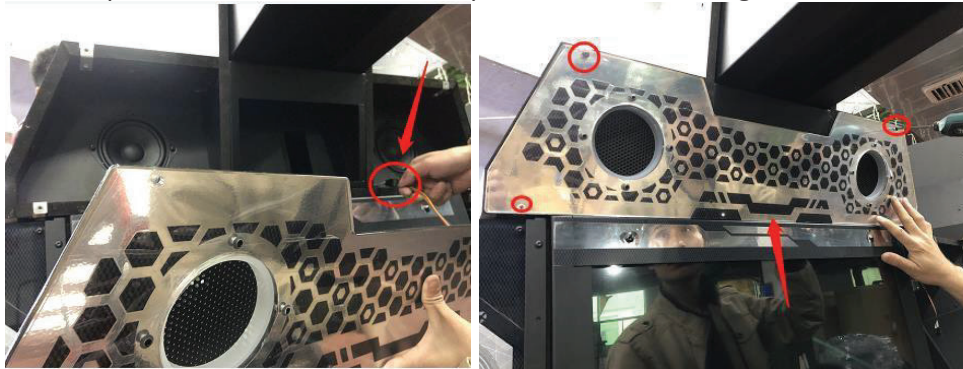




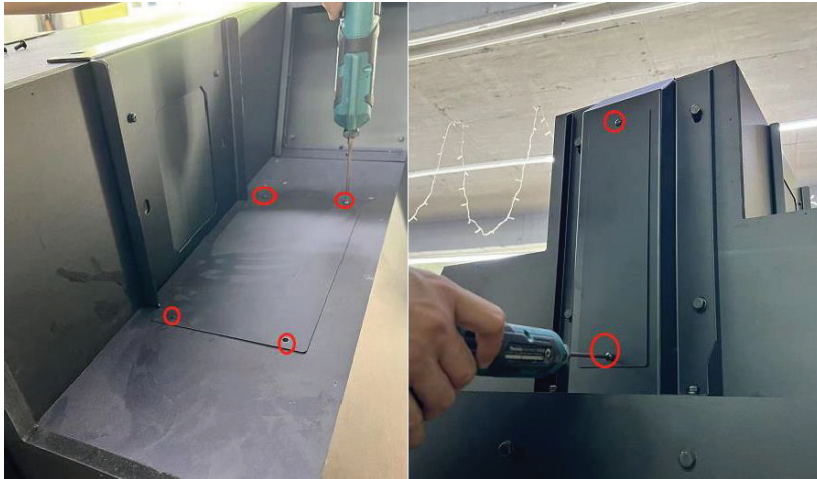
21. Fix the beam support blat to the light box with 4 screws.



22. Connect the speaker LED wire and fix the speaker cover to the light box.



23. Fix the upper cover and rear cover to the light box.



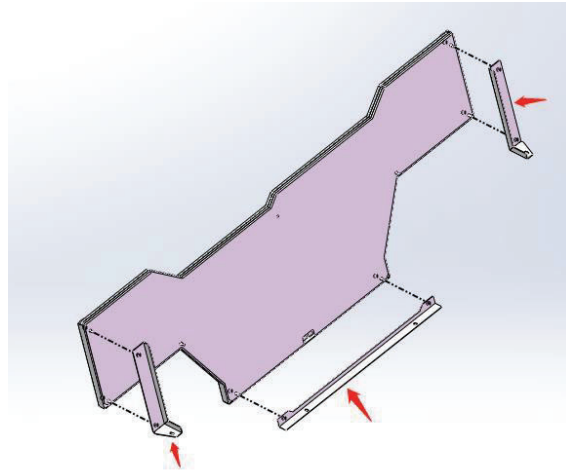
24. Fix the beam covers to the beam assembly.



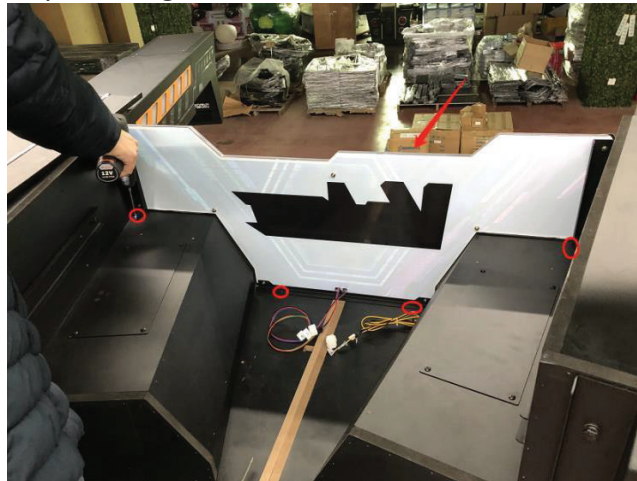
25. Connect the L/R upper frame assembly LED wire.



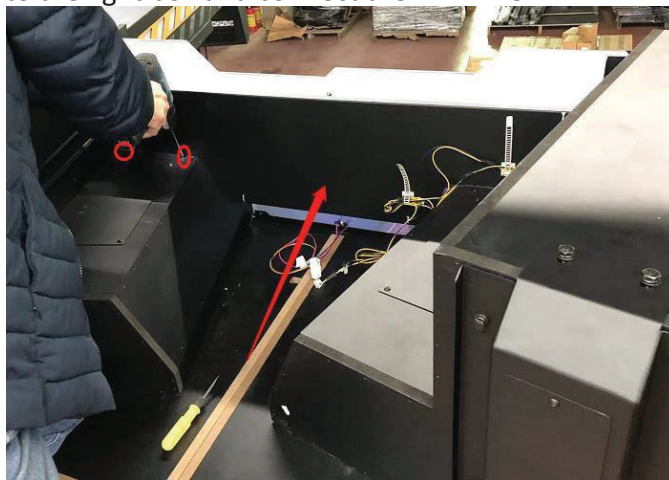
26. Fix the LOGO support plates on the LOGO assembly



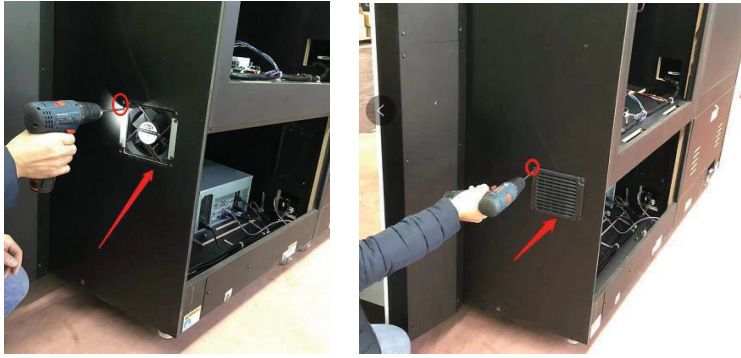
27. Fix the LOGO assembly to the light box and connect the LED wire



28. Fix the LED plate to the light box and connect the LED wire.



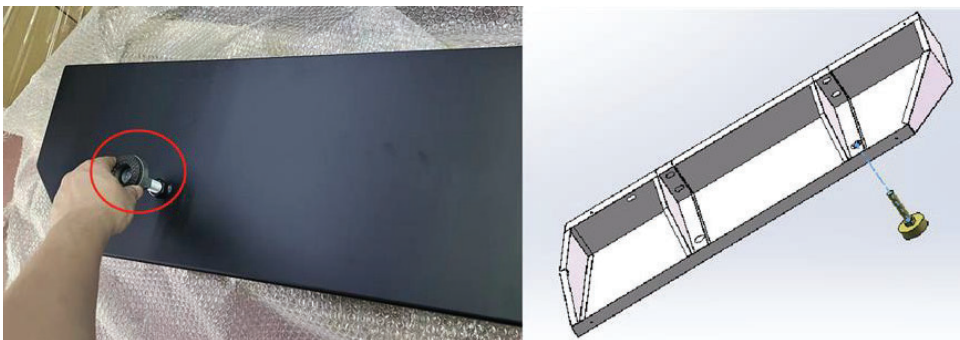
29. Fix the fan assembly and plastic net to the monitor cabinet, then connect the fan wire.



30. Fix the side cover to the monitor frame R & L



31. Fix anchors to the L/R pedal.



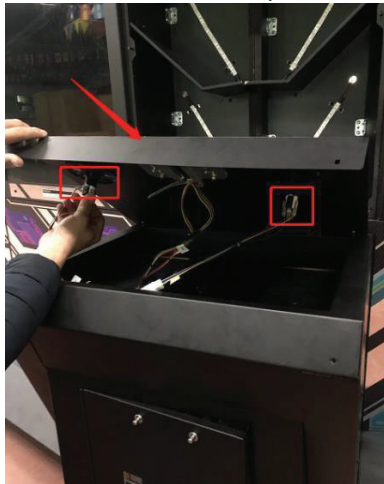
32. Fix the L/R pedal to monitor cabinet & console with screws.



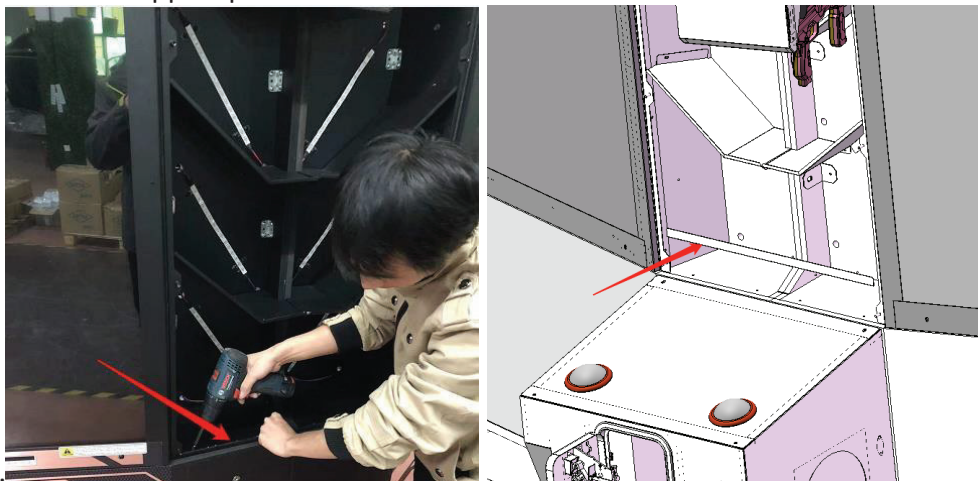
33. Fix the L/R pedal cover to the pedal



34. Connect the start button wire and fix the console panel to the console frame with screws.



35. Fix the middle support plate to the monitor cabinet with screws



36. Connect the middle frame assembly wire.



37. Fix the middle frame assembly to monitor cabinet with screws.



38. Fix the monitor door & PC door to the monitor cabinet.

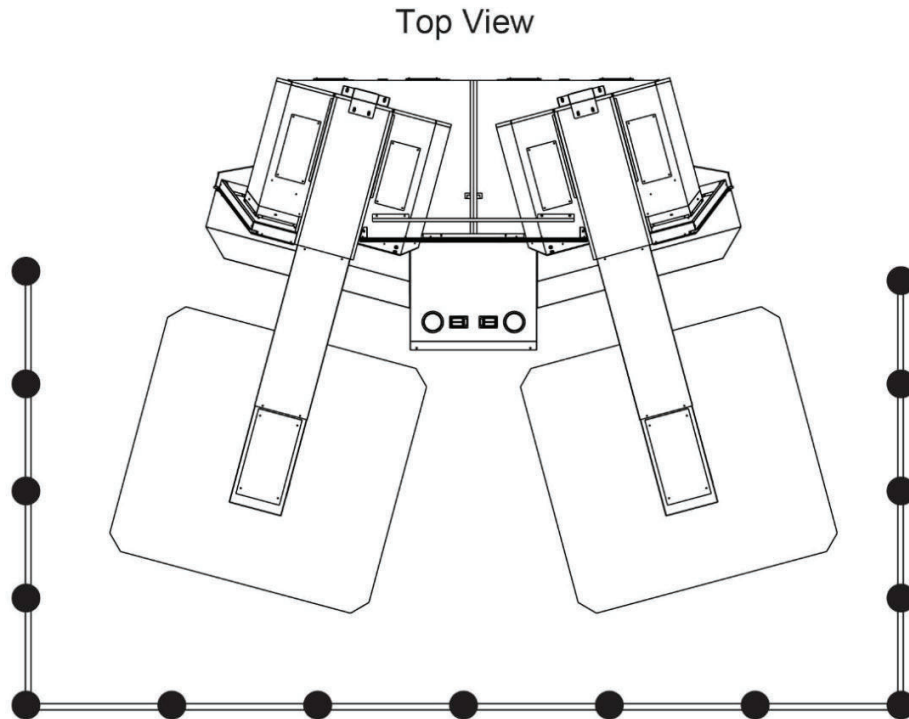
39. Put the play mat under the gun assembly.

=== Cabinet Assembly is completed. ===



2.7.2 – Safety Range of Installation

Safety Range



Suggestions: After installing the machine, please set a certain warning range to remind other players not to approach the player who is playing the game, so as to avoid injury.

Special attention: When special case occurs in shipment, please check “Installation guide” in attachment box of shipment, and make assembly according to installation guide; special supplement will not be made in this instruction.

