

SUBSOCCER™



ARCADE INSTRUCTIONS

SIT, KICK AND GET HOOKED!

A simple but so addicting bench soccer game played in pairs. The two players are sitting on the benches which are also acting as the two goals of the game. Just protect your net, trick your opponent and score. That's it!

Ready to become a Bench Soccer Champion?

If you want to read this user manual in a language other than English, you can select the language and download the manual by scanning the attached QR code:



Age limit

6+

SUBSOCCER™ products are designed in Finland by Subsoccer Ltd.
SUBSOCCER™ is a trademark of Subsoccer Ltd.
SUBSOCCER™ games are PATENTED.
Made in Finland.
Copyright © 2025, Subsoccer Ltd.
www.subsoccer.com



@originalsubsoccer
#subsoccer

PRODUCT DESCRIPTION

SUBSOCCER™ ARCADE

Subsoccer Arcade is the best soccer-related pay-and-play game on the planet – an instant revenue driver even in spaces that usually don't turn a profit.

Product includes

- Subsoccer Arcade
- Official game ball + pump

PRODUCT SIZE			
	Table	Chair	Complete product
LENGTH	1440 mm	450 mm	2340 mm
WIDTH	890 mm	830 mm	890 mm
HEIGHT	750 mm + 160mm***	450 mm	750mm + 160 mm***
WEIGHT	28,6 kg	14,2 kg	57 kg
THE FLOOR AREA REQUIRED FOR THE GAME			2340 mm × 890 mm

***ARCADE CONSOLE'S HEIGHT

MATERIALS	
FRAME	Powder coated aluminium
TABLETOP	Scratch protected polycarbonate
CORNER PIECES	Nylon, Steel
CONSOLE CASING, SEATS & RETURN PLATES	Polyethene, Steel
FABRICS AND NETS	Polyester, Polyamide, Polypropylene
GAMING MAT	Printed polyester, EVA

ELECTRICS	
POWER REQUIREMENTS	110 / 230 volts
DECLARATION OF CONFORMITY	CE / UKCA

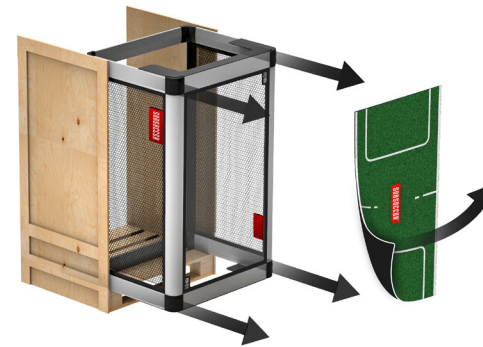
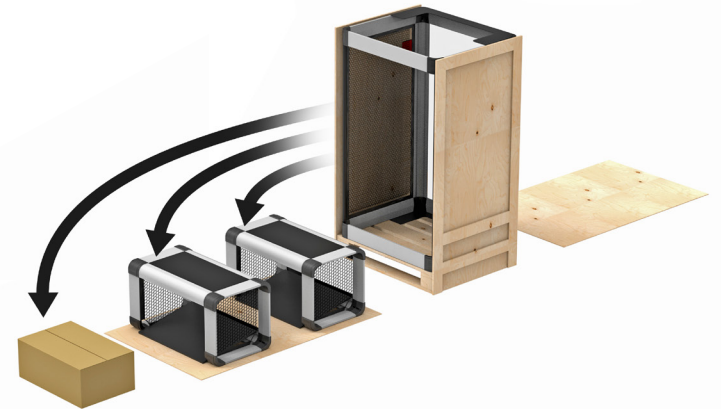
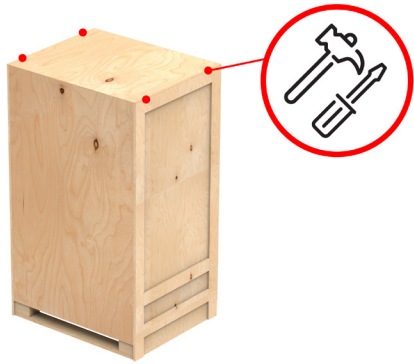


For your maximum durability we suggest you store your Subsoccer Arcade inside. Regular cleaning and weather protection are the best ways to extend the life of your product.

Cleaning with a mild detergent solution. Dry with a clean, dry cloth.

UNBOXING

1

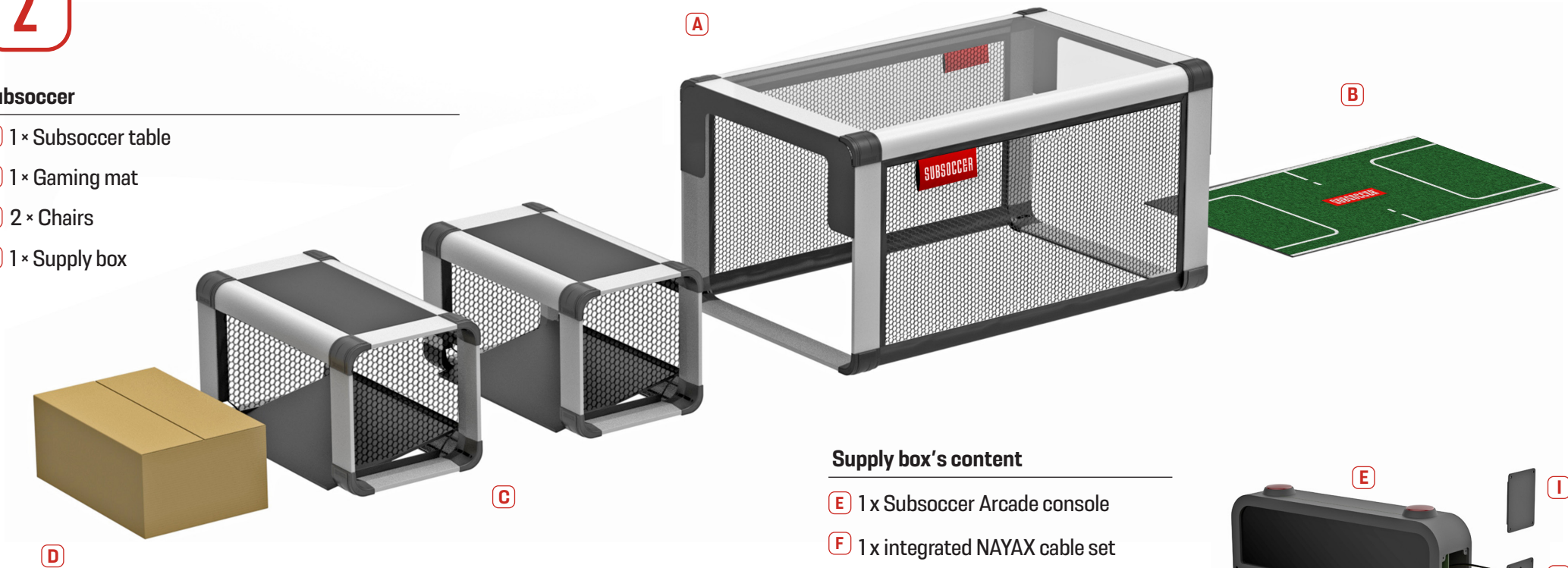


PART LISTS

2

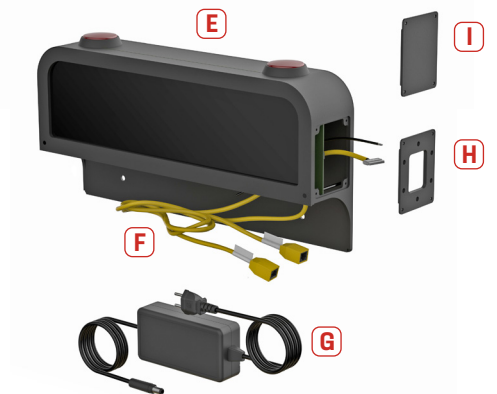
Subsoccer

- A** 1 × Subsoccer table
- B** 1 × Gaming mat
- C** 2 × Chairs
- D** 1 × Supply box



Supply box's content

- E** 1 x Subsoccer Arcade console
 - F** 1 x integrated NAYAX cable set
 - G** 1 x AC power and sockets
 - H** 1 x instalment board for NAYAX Onyx
 - I** 1 x instalment board, universal
- + Fasteners
+ Ball
+ Pump

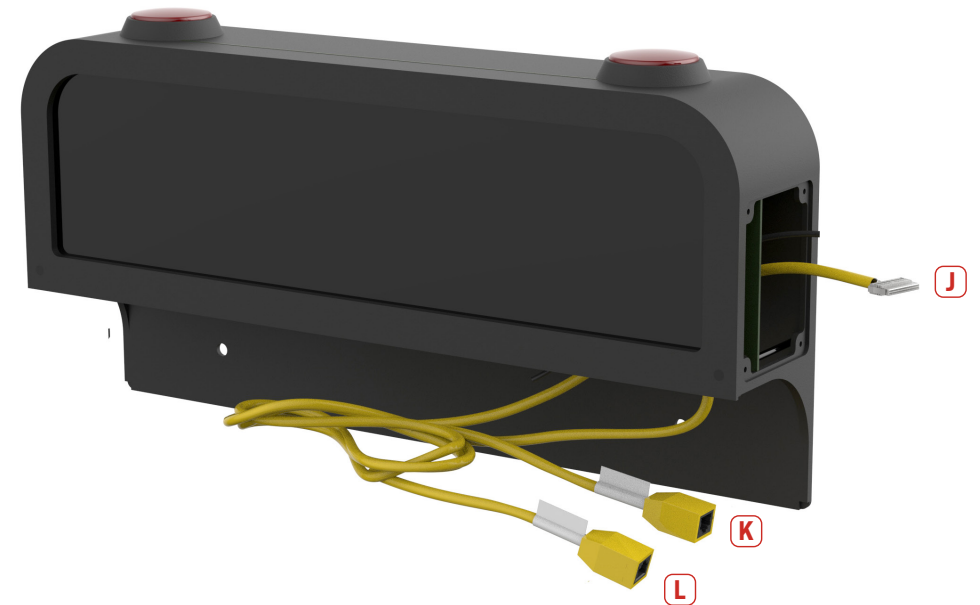


PART LIST - CABLES

Arcade console

The Arcade console comes with an integrated Nayax Onyx cable set. The cable set includes the following outputs:

- J** Nayax connector
- K** External reader connector (optional in use)
- L** Fixed Ethernet connector (optional in use)



PAYMENT SYSTEM INSTALMENT

A - NAYAX ONYX

3

Subsoccer Arcade payment systems

- A** Nayax Onyx
- B** Alternative Set Up
- C** Ethernet cable

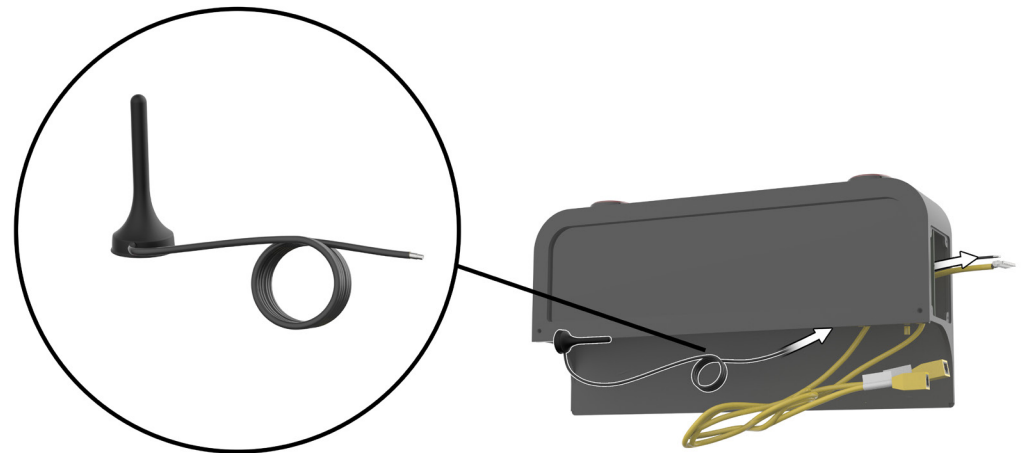
NOTES & WARNINGS!

Ensure that no cables are bent sharply or pressed against internal components.
Verify all connections before powering on the console.
Only trained professionals should attempt modifications to the console's wiring.

Nayax Onyx - Antenna

This section applies only if you have purchased the NAYAX Onyx payment system (sold separately).

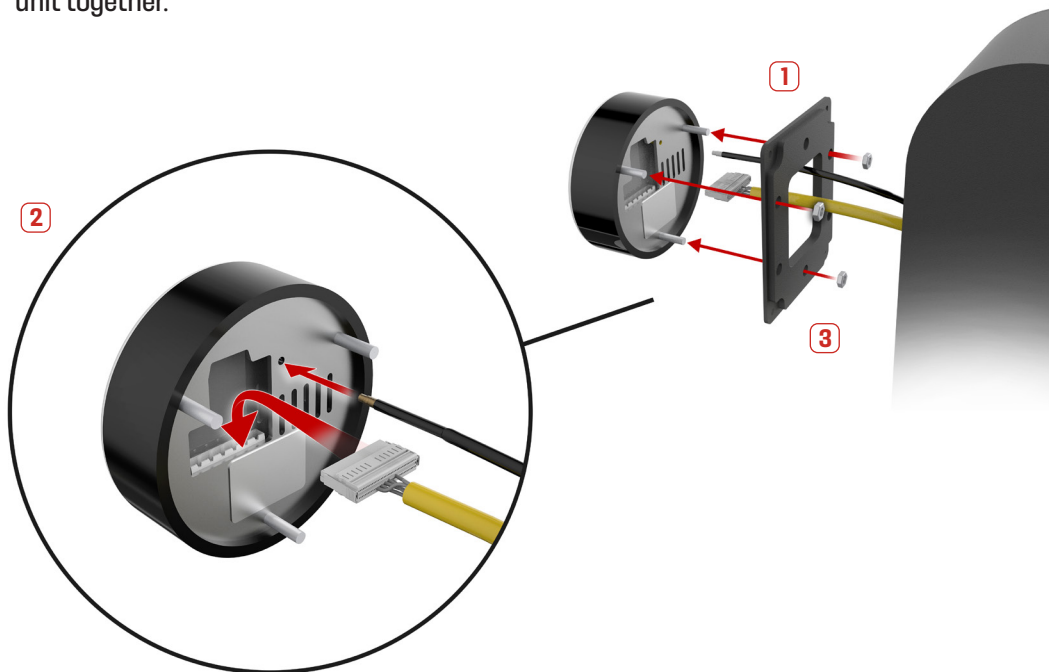
An antenna is not required if you are using a wired ethernet connection (comes with NAYAX Onyx).



A - NAYAX ONYX

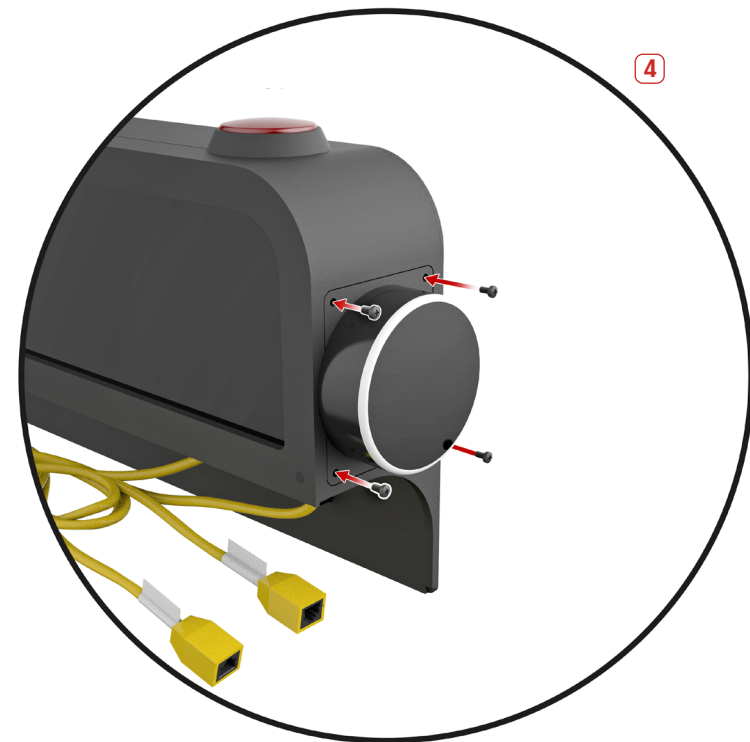
Assembly order

- 1 First, thread the Nayax connection cable and the antenna cable through the Nayax Onyx mounting plate.
- 2 Connect the Nayax connection cable to the Nayax Onyx payment terminal as shown in the picture, and insert the antenna cable into its designated slot.
- 3 Press the mounting plate into place against the Nayax and tighten it with the three nuts to secure the unit together.



Assembly order

- 4 Use the small black screws to fasten the mounting plate to the arcade console, and carefully ensure that the inserted cables do not damage the circuit board inside the console.



B – ALTERNATIVE SET UP

Installing alternative payment terminals

The arcade console supports the installation of any contactless payment terminal that operates with digital pulses.

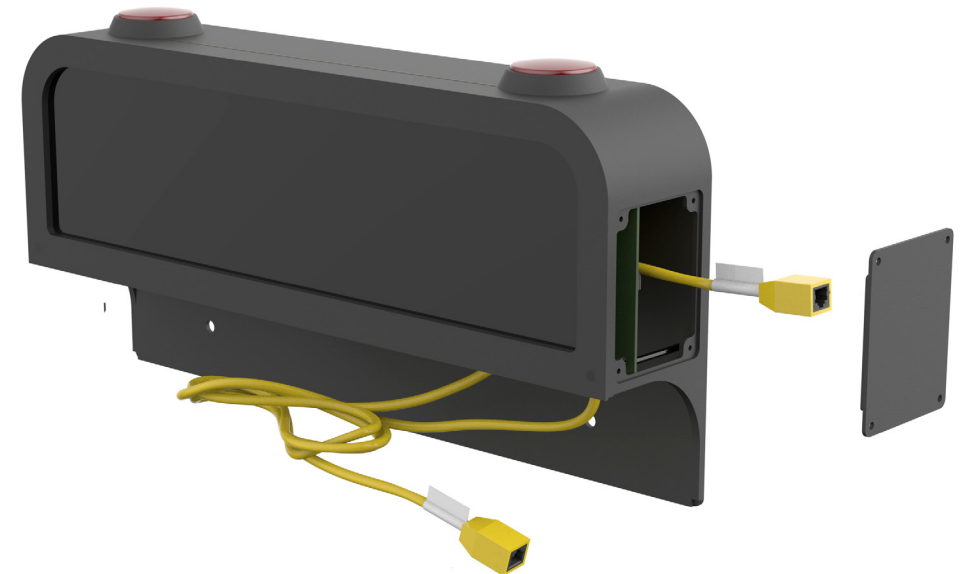
You may connect the device either through the previously described Nayax Onyx cable interface or, alternatively, via the external reader connection.

When you are a professional installer, a wiring diagram for the harness can be found on the circuit board inside the console.

When using the universal mounting plate, you will need to create a suitably sized hole for routing the cables of your chosen device. Apart from this modification, the installation procedure is identical to that of the Nayax unit.

NOTES & WARNINGS!

Only a trained professional is permitted to carry out the installation procedures required on this spread.



C - ETHERNET CABLE

Connecting with an ethernet cable

To connect the Subsoccer Arcade unit with an ethernet cable, create an opening in the rear panel of the console. A pre-scored area has been provided for this purpose and is marked with four small pilot holes. Remove the cover piece by cutting along the marked edges, for example with a utility knife.

Once the opening is prepared, feed the Ethernet connector through the hole.

Note!

Connect the Ethernet connector to your Ethernet cable to establish the wired internet connection.

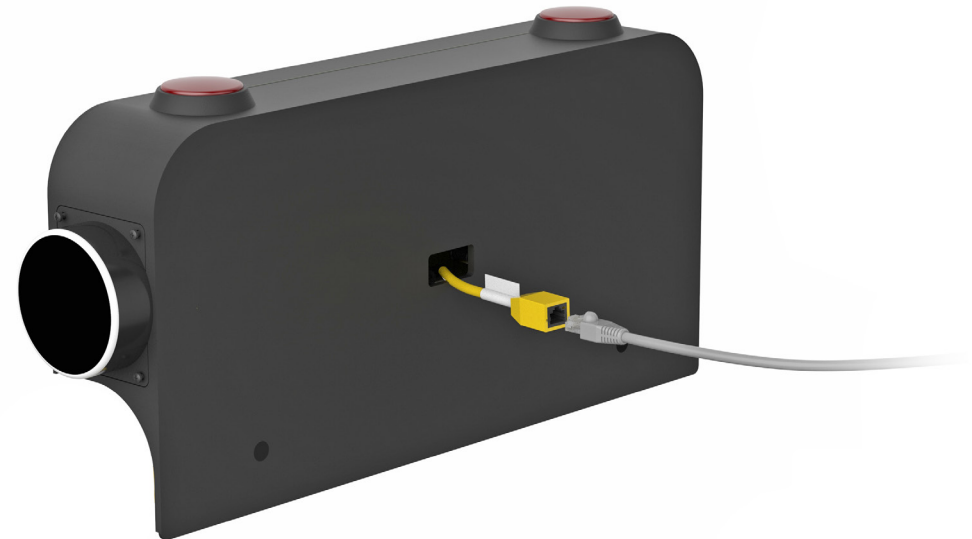


TABLE + CONSOLE

4



Securing the console to the table 1/2

Connect the cable bundle coming from the table, which has a male connector, to the corresponding female connector on the circuit board inside the console.

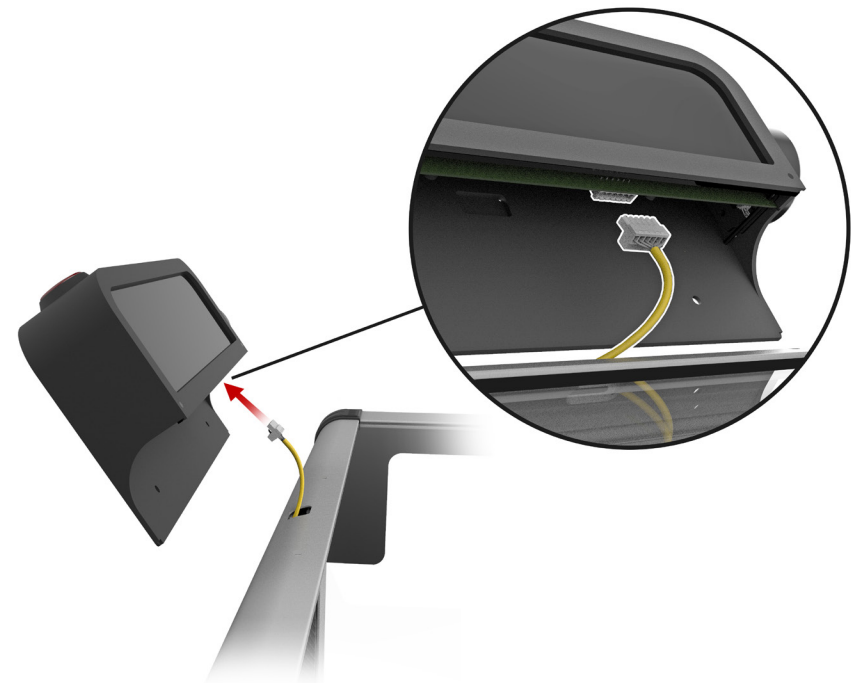
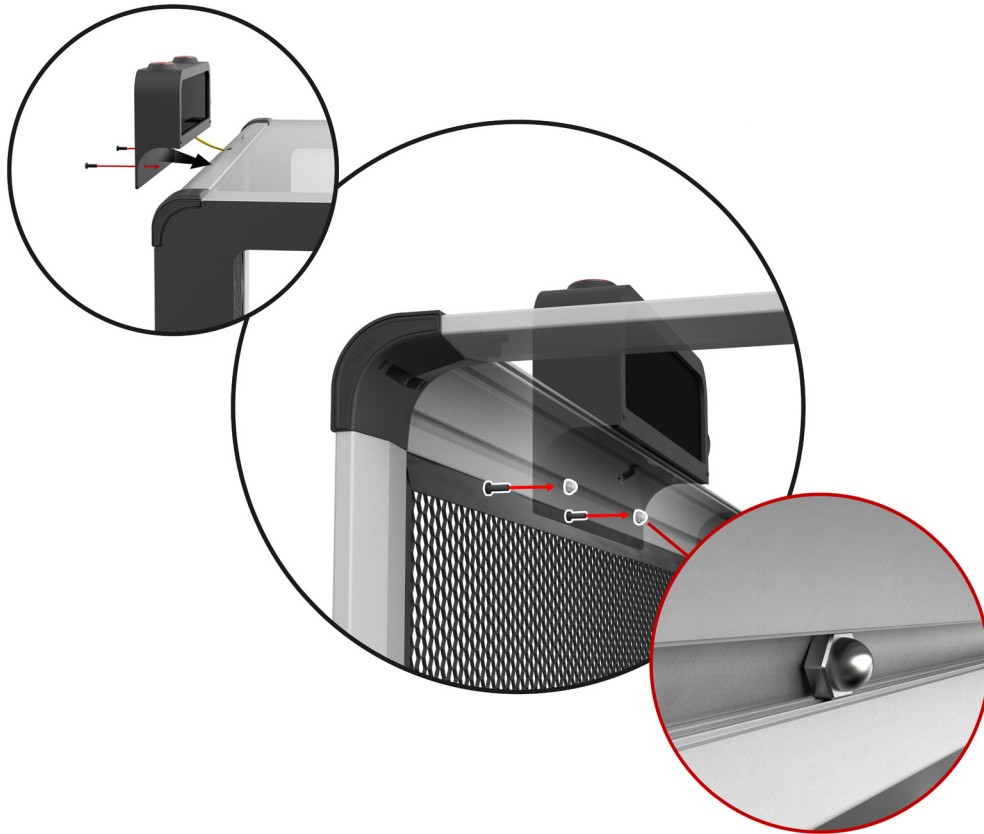


TABLE + CONSOLE

Securing the console to the table 2/2

The console and table feature compatible mounting holes. Carefully place all cables inside the console, ensuring that no cable is pinched or improperly positioned between the console and the table frame.

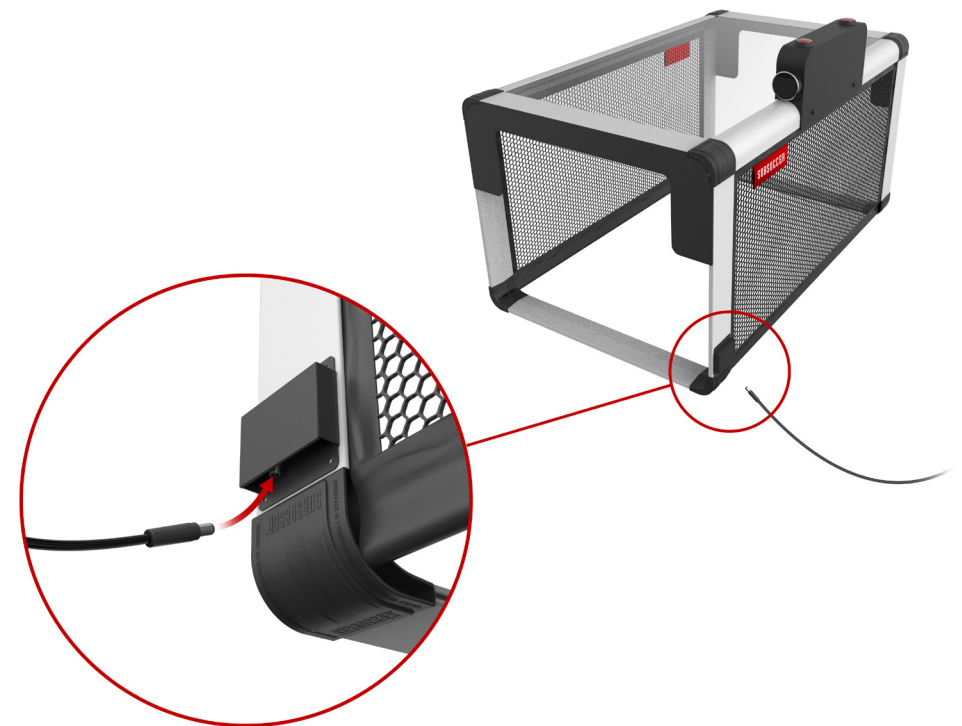
Secure the console to the table frame using the large bolts and dome-headed nuts. The dome-headed nuts fit into the slots in the table frame, allowing you to tighten the bolts entirely from the outside.



Connecting power to the table

Locate the black metal enclosure at the base of the table leg. The power socket is accessible through the recess at the bottom. Take the power cable included with your product and connect it to the socket. Connect the other end of the cable to a wall outlet.

Once the power is connected, the game should start automatically.



COMPLETE GAME

6

Power On!

Place the assembled table, gaming mat, and chairs as shown in the reference image.

When the game powers on, the following should occur:

- 1 The LED lights on the playing field inside the table turn on.
- 2 The electrostatic film on the table remains opaque.
- 3 The numeric displays on the console show the text "PLAY."
- 4 The payment terminal powers on and becomes ready for use or activation.
- 5 If you installed a Nayax Onyx payment terminal in the game, proceed to the next page. If you installed your own payment terminal, proceed to its activation using your known method.



PAYMENT SYSTEM ACTIVATION

TROUBLESHOOTING

7

Nayax Onyx activation

This section applies only if you have purchased the NAYAX Onyx payment system (sold separately).

- 1 Contact your local Nayax operator - You can find contact details on the www.nayax.com "Contact" page.
- 2 Open a Nayax account for your business - To do this, you will need the serial number of your Nayax Onyx device and your company information.
- 3 If you purchased your Nayax device from Subsoccer Oy - Device management will be transferred to your account once your Nayax account is active.
- 4 Local Nayax operator support - Your local Nayax operator is responsible for the setup and proper functioning of your Nayax device.



8

General rule

If something is not working, first check that all cable connections listed in this manual are properly attached.

If the problem persists, follow the instructions below:

- 1 Payment terminal not working: Contact your service provider (e.g., Nayax).
- 2 Any issue with the Subsoccer Arcade game table, contact: info@subsoccer.com

HOW TO PLAY

9

Subsoccer Arcade - Game Instructions

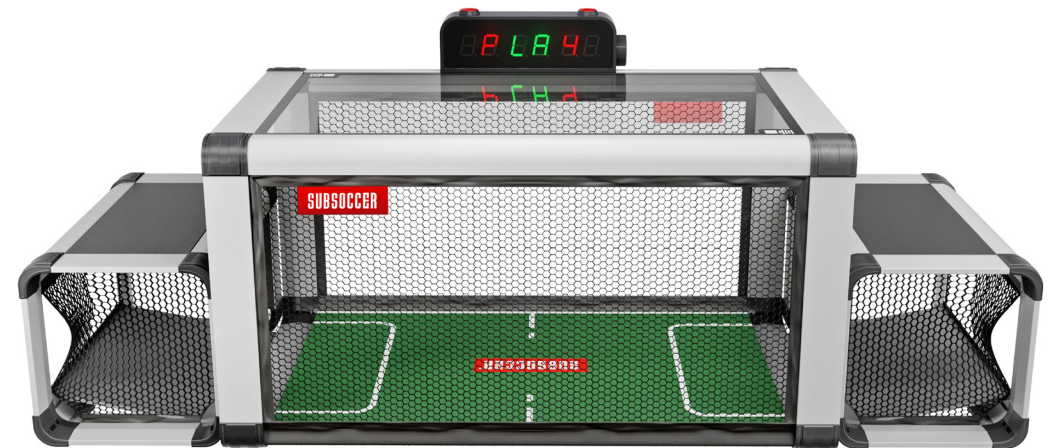
Objective: During the 90-second game, the player who scores the most goals wins.

Scoring: The game does not have an automatic score counter.

NOTE! Each player must press their own scoring button on top of the console immediately after scoring a goal.

Game Start Sequence

- A** The game console displays "PLAY", and the table cover is opaque.
- B** The players sit down.
- C** The ball is placed in the center of the playfield.
- D** One of the players activates the game by making a payment.
- E** A few seconds after the payment:
 - The 90-second timer starts
 - The table cover turns transparent
- F** As soon as the players can see the field and the ball – THE GAME BEGINS!



TIPS FOR ASSEMBLY

Tools

To assemble this Subsoccer all you need is a right sized screwdriver and/or hexagon allen key. Helpful basic tools are provided with this product, but we recommend to use professional tools if you have access to those.

During periods of non-use

This Subsoccer can be disassembled and stored. Please read the assembly instructions before beginning to assemble the product.

Prior to assembling

This product has to be assembled, positioned and stored by adults or under direct supervision and responsibility of an adult. Assembling has to be carried out by at least two people due to the weight and size of this product. Assemble, use and store this product on a level surface that is strong enough to bear the entire weight of the product and its users.

Assemble the product as shown in the instructions. Do not skip any parts or assemble the product in any other order than described in the instructions.

To prevent any injuries to your hands from pinch points during assembly, please use gloves to protect your hands.

Please refer to the page for part descriptions and numbers. The assembly steps use these descriptions and numbers as reference for your convenience. Make sure that you have all parts listed. If you are missing any parts, please refer to the page for Instructions on how to attain any parts.

PRODUCT CLEANING & CARE

Environment and storing

The game can be used indoors or outdoors, but it is recommended to store the game in a dry and sheltered place. The game contains parts that could be damaged by improper storage or strong weather conditions such as sunlight, rain, sand, snow, etc.

If the game is used outdoors, it is presumed that sand, dust, etc. can cause scratches and stains to the game. If the game gets wet, it is advised to dry it thoroughly before storing.

Smooth surfaces should be cleaned with a cloth, dampened with a mild detergent. Dry with a clean cloth.

Do not expose the product to fire, extreme temperatures or corrosive substances.

These measures help you protect the surface and materials of this product and maintain its lifecycle.

SIT, KICK AND
GET HOOKED!

SUBSOCCER™

SUBSOCCER™ products are designed in Finland by Subsoccer Ltd.

SUBSOCCER™ is a trademark of Subsoccer Ltd.

SUBSOCCER™ games are PATENTED.

Made in Finland.

Copyright © 2025, Subsoccer Ltd.