

Stranger Things Arcade Operator's Manual



STRANGER THINGS ARCADE



NETFLIX



Scan the QR
Code for the
latest manual
and information
regarding this
game

Table of Contents

OPERATION	6
TRANSPORTING	6
HANDLING COMPONENTS	6
DISCONNECT POWER	6
GROUNDING	6
ELECTRICAL SHOCKS	6
MONITORS	6
VOLTAGE	6
POWER CORD	6
SURGE SUPPRESSOR	7
WATER AND OTHER LIQUID SOURCES	7
CONNECTORS	7
COMPUTER	7
VENTILATION	7
HAZARD TO EPILEPTICS	7
MANUAL	7
Product Specifications	8
ELECTRICAL POWER	8
TEMPERATURE	8
HUMIDITY	8
DIMENSIONS	8
Fuse Replacement Guide	9
12V POWER DISTRIBUTION	9
Setup	10
SAFETY NOTICE	10
UNPACK MATERIALS	10
REQUIRED TOOLS	10
CABINET ASSEMBLY	11
Assemble Roof Components	14
Install Loose Side Panels and Marquee	21
Complete Install and Power On	25

Stranger Things Arcade

Load Balls and Complete Cabinet Leveling for Optimal Ball Gate Operation	28
CHECK ELECTRICAL SETTINGS	29
STARTUP GAME	29
LG MONITOR SETTINGS (120V ONLY).....	30
LG MONITOR SETTINGS (WORLDWIDE)	31
Diagnostic and Adjustments	33
BASIC FUNCTIONAL TEST ON INITIAL POWER UP	34
TEST MENUS	35
Main Menu.....	35
Diagnostics	36
Pricing Adjustments	37
Game Settings	38
System Settings.....	39
Audits	40
Resets Menu	41
Volume	42
Utilities	43
System Information.....	44
CHOOSING THE RIGHT PRICING ADJUSTMENTS FOR YOUR LOCATION	45
PC HARDWARE	46
PC HARD DRIVE RECOVERY	47
Troubleshooting	48
Technical Support	52
Electrical and Mechanical Illustrations	53
GAME ASSEMBLY EXPLODED DRAWING.....	54
GAME ASSEMBLY PARTS TABLE.....	55
MONITOR CABINET EXPLODED DRAWING	56
MONITOR CABINET PARTS TABLE	57
MONITOR FRAME (BASE/TOP/SIDE) EXPLODED DRAWINGS	58
MONITOR FRAME (BASE/TOP/SIDE) PARTS TABLE.....	59
MONITOR (LG 86”) EXPLODED DRAWINGS W/PARTS TABLE	60
AC POWER PLATE/POWER LINE FILTER/SOLID STATE RELAY EXPLODED DRAWINGS	61
AC POWER PLATE/POWER LINE FILTER/SOLID STATE RELAY PARTS TABLE.....	62

Stranger Things Arcade

ELECTRONICS PCB PLATE EXPLODED DRAWINGS W/PARTS TABLE 63

MID CABINET EXPLODED DRAWINGS W/PARTS TABLE 64

DEFLECTOR CABINET EXPLODED DRAWINGS W/PARTS TABLE 65

ACTUATOR EXPLODED DRAWINGS W/PARTS TABLE..... 66

FRONT CABINET EXPLODED DRAWING 67

FRONT CABINET PARTS TABLE..... 68

FRONT PANEL LED/BLUE FRONT ACCESS DOOR EXPLODED DRAWINGS W/PARTS TABLE 69

RIGHT/LEFT BLOCKER SPEAKER EXPLODED DRAWINGS W/PARTS TABLE 70

ROOF RIGHT/LEFT CHANNEL EXPLODED DRAWINGS W/PARTS TABLE..... 71

ROOF CENTER CHANNEL EXPLODED DRAWINGS W/PARTS TABLE 72

DECALED RIGHT/LEFT MID PANEL EXPLODED DRAWINGS W/PARTS TABLE 73

DECALED RIGHT/LEFT FRONT PANEL EXPLODED DRAWINGS W/PARTS TABLE..... 74

MARQUEE EXPLODED DRAWING 75

MARQUEE PARTS TABLE 76

DECALED RIGHT/LEFT UPPER PANEL EXPLODED DRAWINGS W/PARTS TABLE 77

LOWER BACK DOOR EXPLODED DRAWINGS W/PARTS TABLE 78

UPPER BACK DOOR EXPLODED DRAWINGS W/PARTS TABLE 79

ELECTRICAL DIAGRAMS..... 80

Safety

Operation

Before operating game, read this manual. Failure to properly install and operate this game could result in malfunction or accident. Operate the game in accordance with the manual.

Transporting

The cabinet is very heavy. Because the monitor is high, the cabinet is also very top-heavy. Use appropriate care when moving or transporting cabinet. It contains fragile glass and electronic components. Avoid rough handling.

Handling Components

Many components are extremely sensitive to handling, environmental and Electrostatic Discharge (ESD) events—especially the computer. Do not handle it roughly. Before servicing, call your distributor and inquire about the PC warranty. Use proper ESD procedures when servicing. Protect components from harmful environmental conditions, such as extreme temperatures, excessive moisture or other damaging effects.

Disconnect Power

Always turn the power off and unplug the unit before servicing or making adjustments unless otherwise instructed. Installing or repairing components while power is on can damage the components and void the warranty.

Grounding

Avoid electrical shock. Do not plug in AC power until you have inspected and properly grounded the unit. Only plug into a grounded, three-wire outlet. Do not use a “cheater” plug or cut off the ground pin on the line cord.

Electrical Shocks

There is no isolation transformer in the cabinet. Disconnect AC power before servicing. However, be aware that lethal voltages can remain in the electronic components even when AC power is disconnected. Use extreme caution when servicing. Verify that there is a working ground connection. If the unit sustains water damage, cease using it immediately and unplug AC power.

Monitors

The monitors contain no user serviceable parts. Do not attempt to service the monitors.

Voltage

Each game is manufactured for a specific AC voltage. Before applying power, verify that the AC voltage matches the game’s specified voltage rating.

Power Cord

If the power cord is damaged or lost, replace it with an identical cord as supplied by the manufacturer or an authorized service agent.

Surge Suppressor

It is recommended that you plug your game's power cord into a surge suppressor to help protect from power surges that may damage sensitive electronic components.

Water and Other Liquid Sources

Do not install game near sprinkler or other water jet sources. Do not use water jet to clean game. Keep minimum clearance behind game and wall for proper ventilation but also prevent access of liquid from spills and sprays from entering ventilation holes.

Connectors

When servicing machine, ensure all connectors mate properly. If connectors do not slip in easily, do not force them. Connectors are often keyed and only connect one way. Check for correct orientation.

Computer

The computer contains sensitive components, including a hard drive. Do not handle it roughly. Call your distributor before servicing its internal components. Ask about warranty information as it relates to the PC. Cycle AC power on or off with the cabinet power switch.

A dongle has been inserted into one of the USB ports. This is required for game play.

Do not remove the dongle except for troubleshooting purposes.

Ventilation

It is critical that the game is installed in a manner that allows for proper ventilation and air flow. Game must be installed such that there is a minimum amount of clearance between the wall or another game to allow good air circulation through the game cooling fans and vents.

Hazard to Epileptics

A small portion of the population has an epileptic condition that may cause seizures. Affected persons experience seizures while watching some television pictures or playing certain video games. People who have not had seizures may still have an undetected epileptic condition. If anyone in your family has experienced epilepsy symptoms (seizures or loss of awareness), consult your physician before using video games. While children play video games, a parent should observe. Be alert to the following symptoms: dizziness, altered vision, eye or muscle twitching, involuntary movements, loss of awareness, disorientation or convulsions. If you or your child experiences these symptoms, discontinue use immediately and consult your physician.

Manual

Keep this manual available and ready for use. If the game fails to function properly, turn off the machine and unplug the AC line cord. Contact your local distributor. You may not reproduce this document or any of its contents without written authorization from Raw Thrills, Inc.

Product Specifications

Electrical Power

United States, Canada
Voltage: 120VAC / 60 Hz
Operating AC Current: 5 Amps

International
Voltage: 230VAC / 50/60Hz
Operating AC Current: 3 Amps

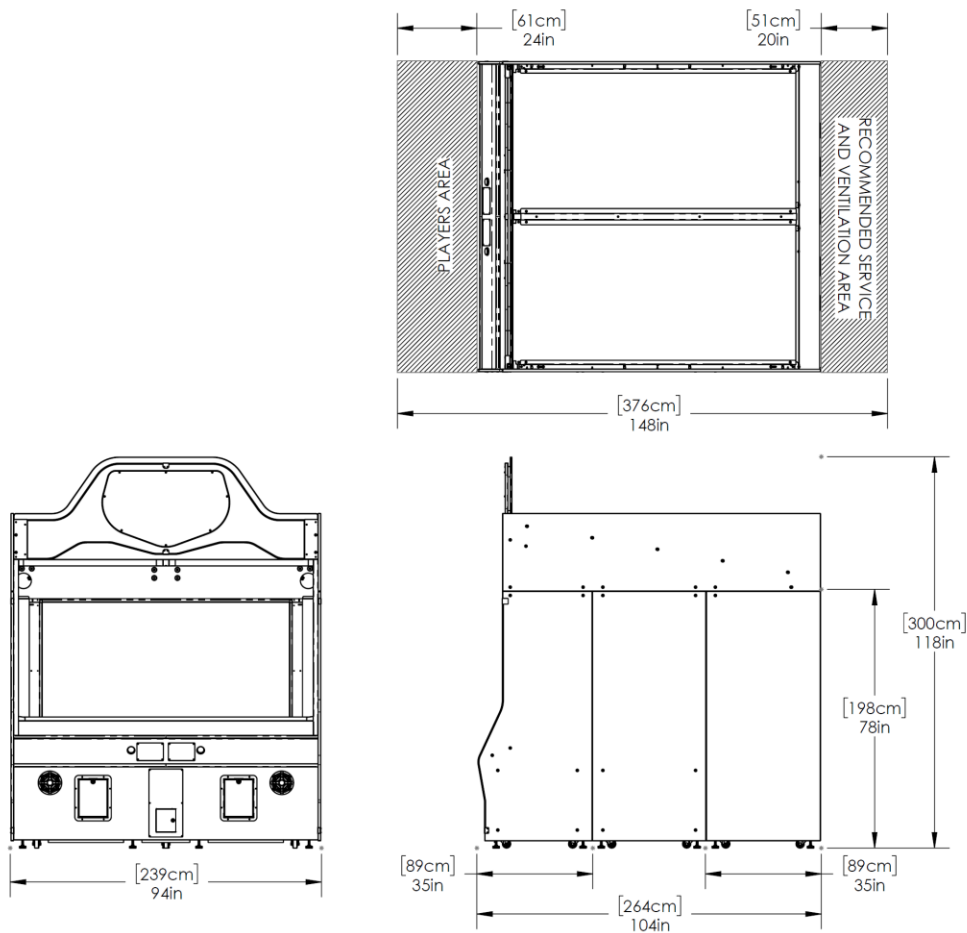
Temperature

50° F to 104° F
(10° C to 40° C)

Humidity

Must not exceed 95% relative humidity

Dimensions



Location: 118" H x 94" W x 104" D (300cm H x 239cm W x 264cm D)

Recommended minimum floor space requirement: 120" H x 96" W x 148" D (305cm H x 244cm W x 376cm D)

Approximate weight 2655 lbs (1205 kg)

Fuse Replacement Guide

NOTE: FOR CONTINUED PROTECTION AGAINST FIRE AND ELECTRICAL DAMAGE, USE ONLY SPECIFIED FUSE TYPE AND VALUE.

12V Power Distribution

Please see unit for specified fuse labeling.

Abbreviations:

5A 250V	5A, 250VAC Fast Acting 3AG Fuse	Littlefuse 0312005.MXP (or equivalent)
---------	---------------------------------	--

Setup

Safety Notice

Installing this product requires two individuals able to lift heavy objects safely (three would be ideal). Two 6-foot step ladders (minimum height) are required as part of the installation process. Make sure that you are familiar with the setup procedure before you begin the installation process. Do not push or pull on the decorative items when completing the assembly to prevent damaging these parts. Be aware of your surroundings and individuals around you during the assembly process for your safety and the safety of others. Work only in an area with sufficient lighting and a clean, level surface.

Unpack Materials

1. Place the shipping crate(s) on a flat, stable surface.
2. Cut the banding straps and remove the cardboard lids.
3. Lift off the large cardboard containers surrounding the cabinet assembly and remove any shipping cleats.
4. Locate keys taped to cabinet surface.
5. Check for shipping damage to the following:
 - Monitor(s)
 - Cabinet decals
6. Check the AC line cords for visible signs of damage.

Pay particular attention to the plug and line cord insulation.

Required Tools

1. (2) 6-foot step ladders (minimum height)
2. Power drill/driver
3. Screwdriver bit adapter and the following bits
 - a. TT27 Tamperproof Torx bit
 - b. 5/32" Allen bit
 - c. Phillips
4. Ratcheting socket wrench and the following sockets
 - a. 7/16" socket
 - b. 3/8" socket
 - c. 1/4" socket

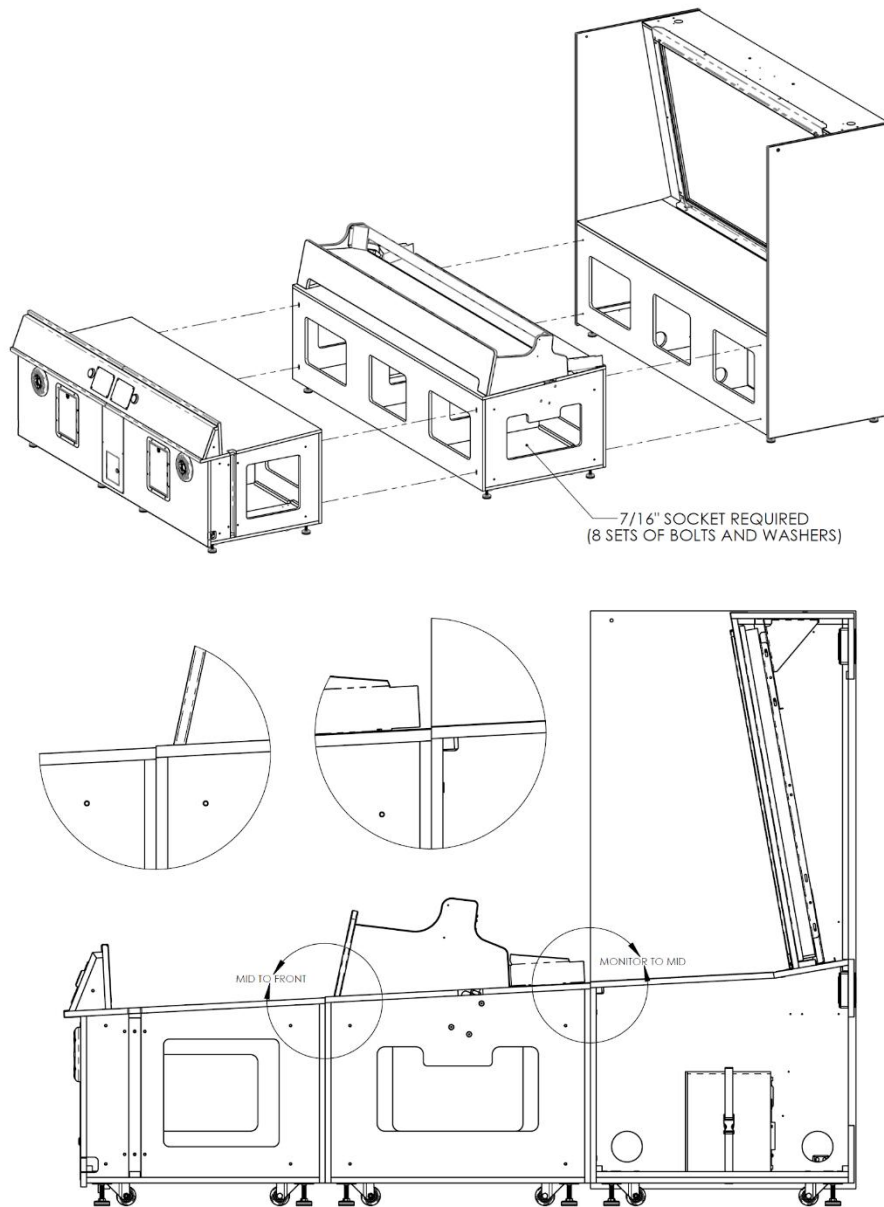


CAUTION

UNDER NO CIRCUMSTANCES SHOULD THIS GAME BE OPERATED UNLESS ALL INSTALLATION PROCEDURES HAVE BEEN COMPLETED AND ALL SAFETY FEATURES HAVE BEEN POSITIVELY TESTED AND ARE FULLY FUNCTIONAL!

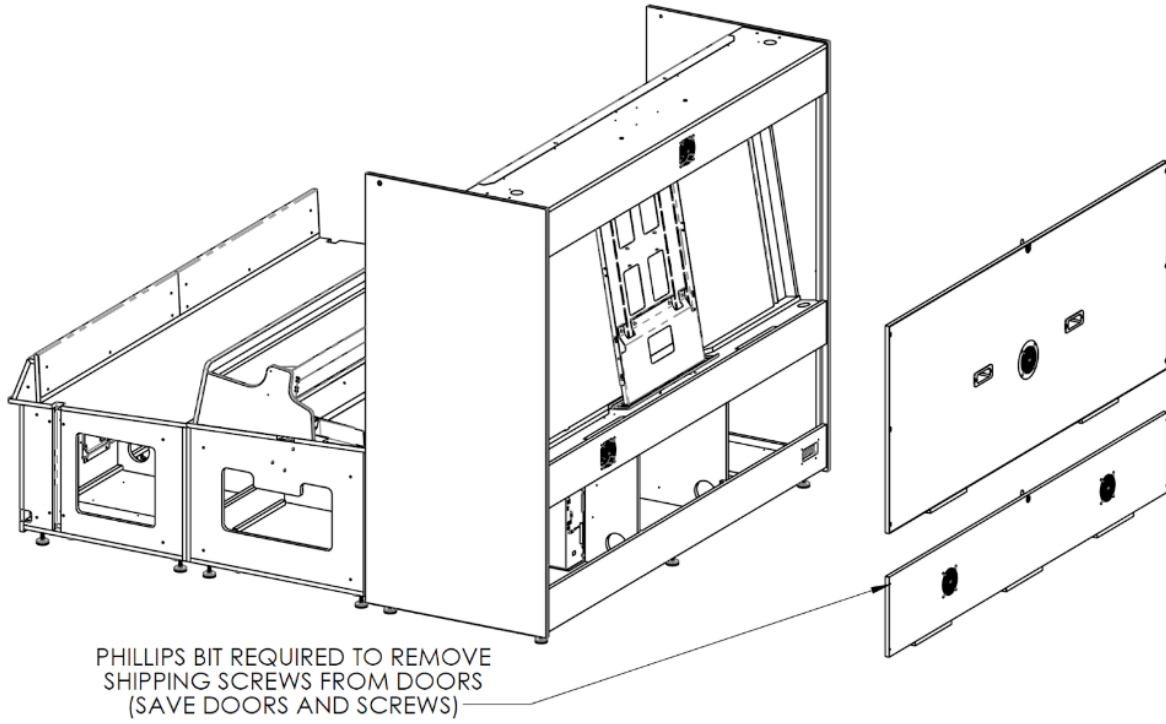
Cabinet Assembly

Assemble Monitor Cabinet with Mid Cabinet and Front Cabinet



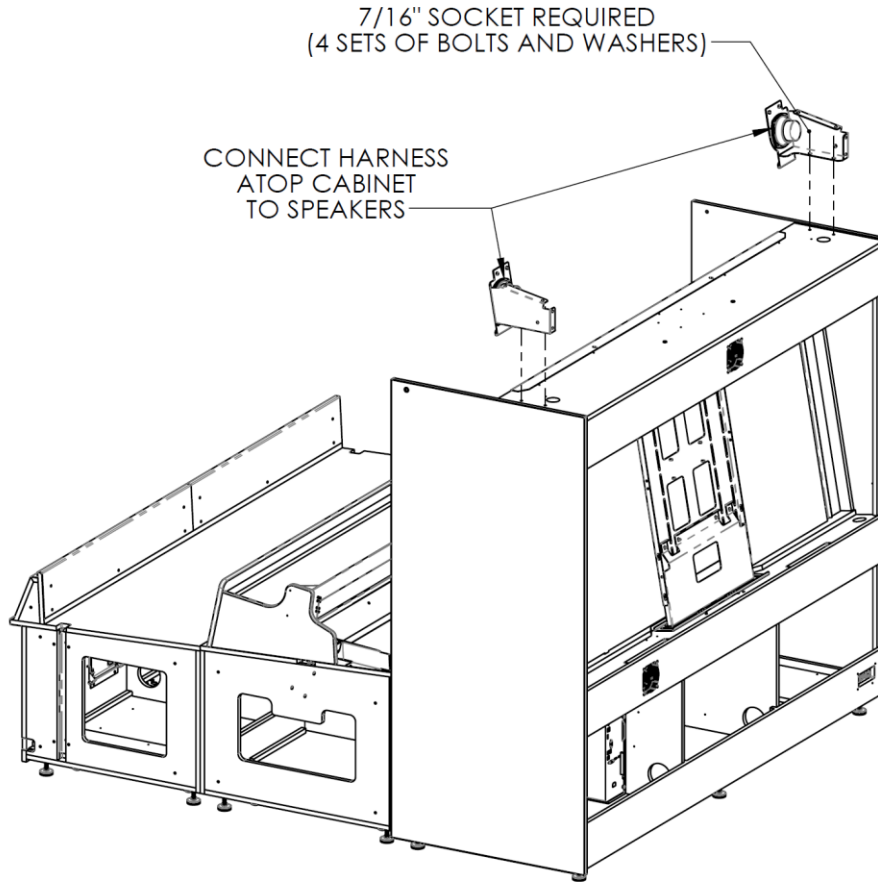
1. Locate monitor cabinet, mid cabinet, and front cabinet and move to desired setup location. Align the cabinets then install (8) $\frac{1}{4}$ "-20 x 1- $\frac{3}{4}$ " hex bolts with split-lock and flat washers into t-nuts on monitor and front cabinet working from within mid cabinet. Use 7/16" socket driver to fully tighten.
 - a. Note that the cabinet's ramps are designed for balls to drop from cabinet to cabinet, as shown in the image above, with intentional step downs from cabinet to cabinet.
 - b. Use leg levelers to adjust as necessary, but there will be additional leg leveling required once all components are installed to improve ball gate operation.

Stranger Things Arcade



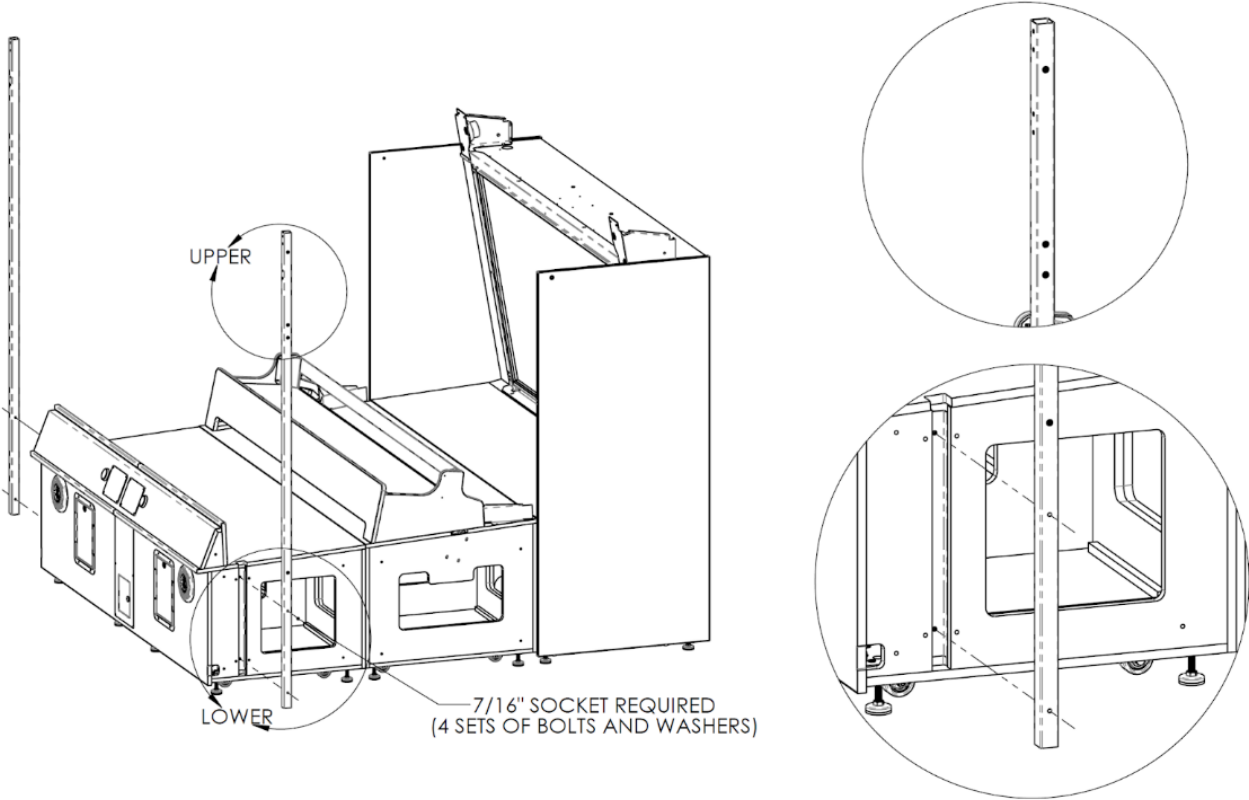
2. Use Phillips driver to remove shipping screws for upper and lower back doors of monitor cabinet (keys will be taped to cabinet surface). Set doors and screws aside.

Stranger Things Arcade



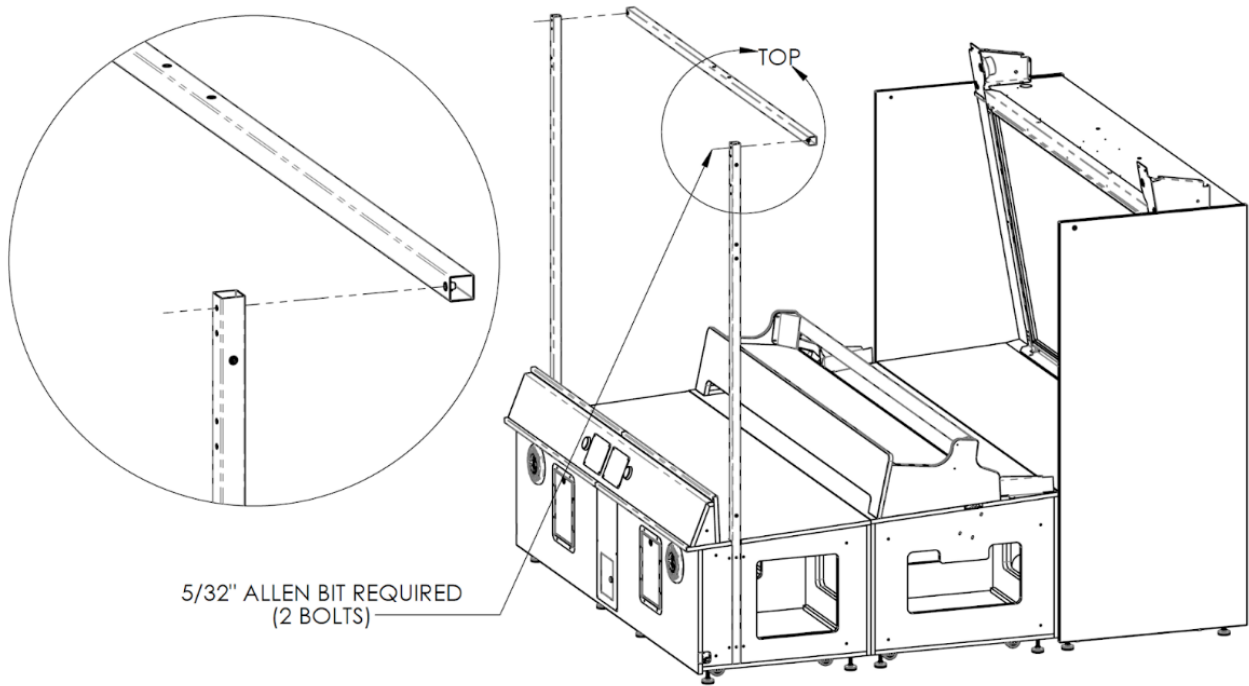
3. Locate right and left monitor speaker assemblies and the following hardware: (4) $\frac{1}{4}$ "-20 x 1- $\frac{1}{4}$ " hex bolts with split-lock and flat washers. Using 7/16" socket, install the speakers atop monitor cabinet and flush to front facing panels, taking care to not crush any wires during install.
4. Connect both speakers to harness connections installed along top panel of monitor cabinet.

Assemble Roof Components



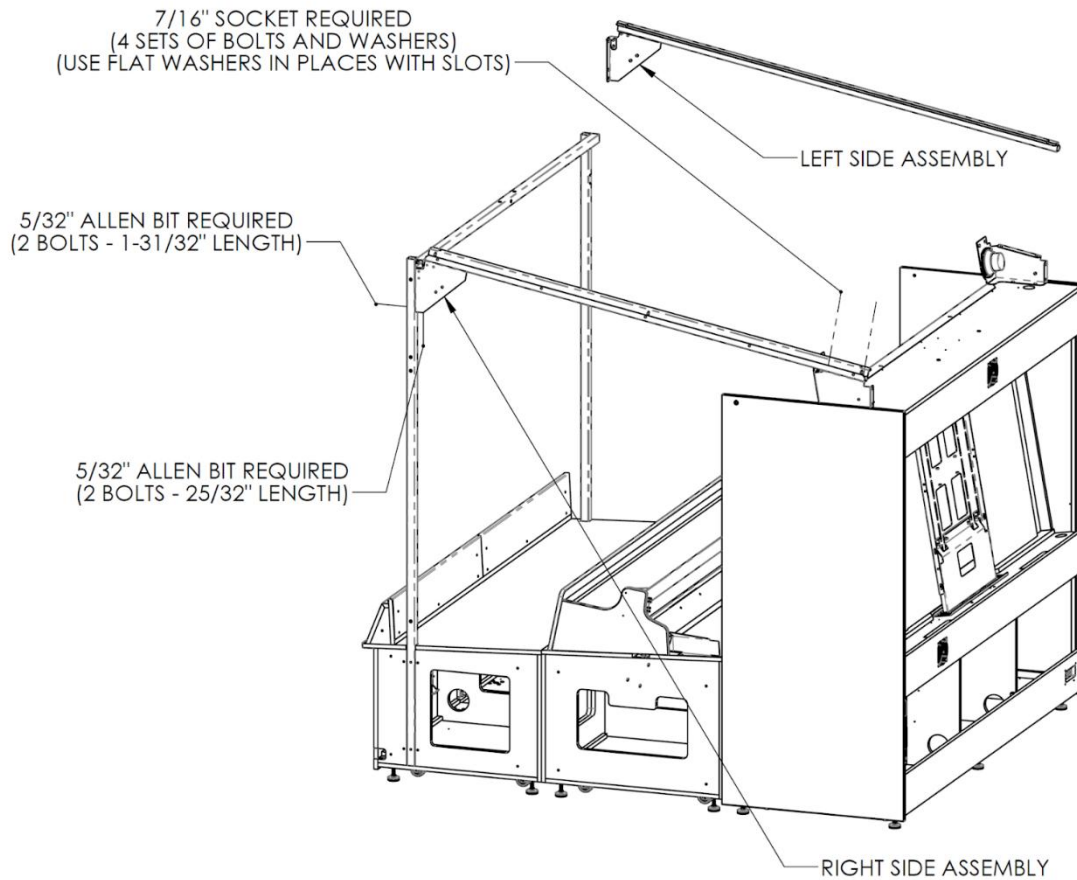
1. Locate (2) matching vertical tubes and set in notched pockets on sides of front cabinet in orientation shown above (CAUTION: TUBE IS HEAVY AND CAN FALL WHEN NOT SECURED). Using 7/16" socket, install each tube with (2) 1/4"-20 x 2" hex bolts with split-lock and flat washers through its lowest mounting holes into bracket on inside of front cabinet.

Stranger Things Arcade



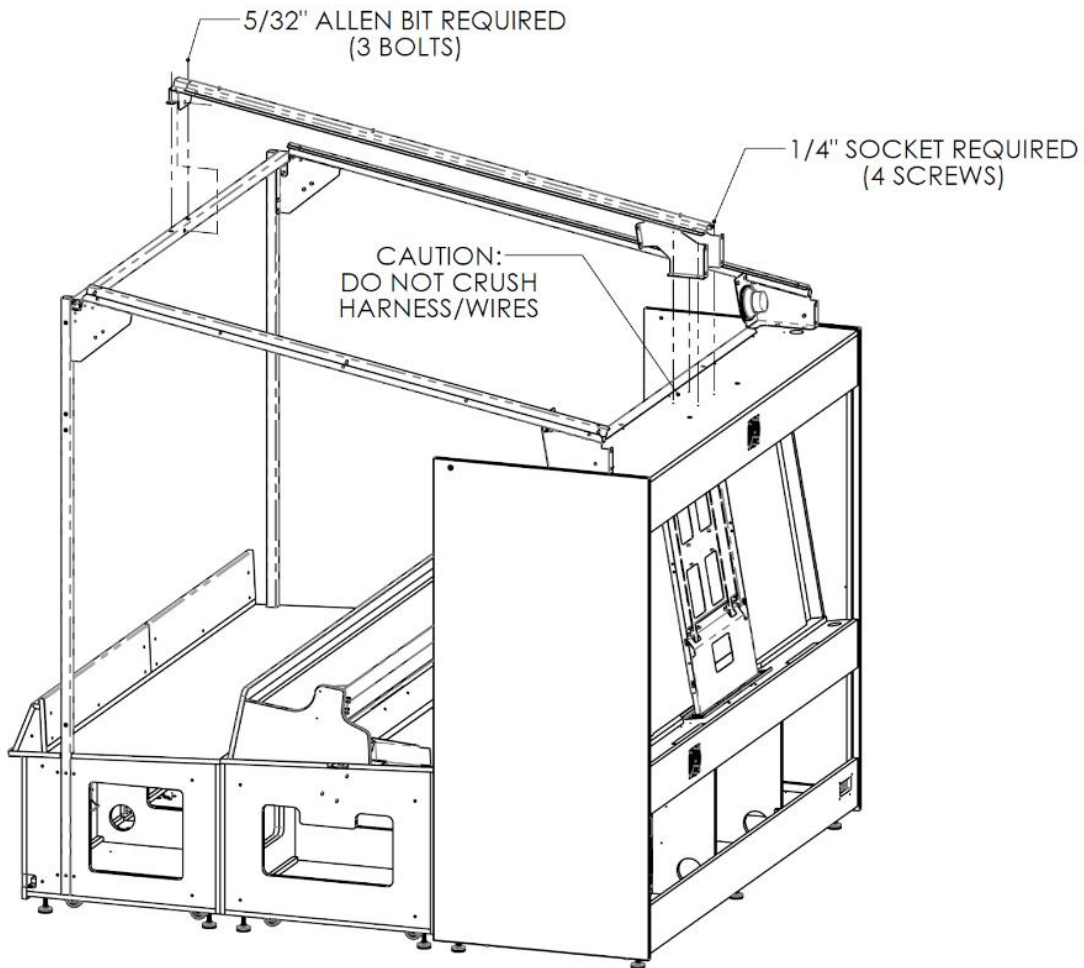
2. Locate horizontal cross tube and use 5/32" Allen driver with (2) 1/4"-20 x 2-23/64" flanged JCB-B bolts to install to rear side of vertical tubes.

Stranger Things Arcade



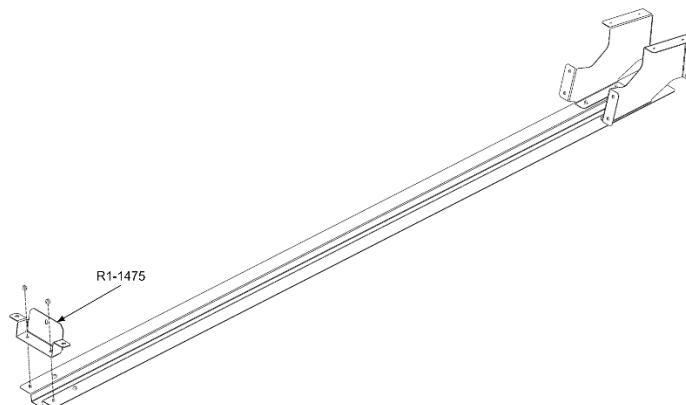
3. Locate RIGHT and LEFT Roof Side Assemblies and install as shown, making sure assemblies are flush to tube sides. Use 7/16" socket to attach to top flange of speaker assemblies with (2) ¼"-20 x ½" hex bolts with split-lock and flat washers per side, using flat washer for slotted mounts. Additionally use 5/32" Allen driver to attach to front tubes, securing ¼"-20 x 1-31/32" flanged JCB-B bolt through lowest hole on front side of vertical tubes into lowest pem nut on bracket and ¼"-20 x 25/32" flanged JCB-B bolt through L bracket into under side of cross tube.

Stranger Things Arcade

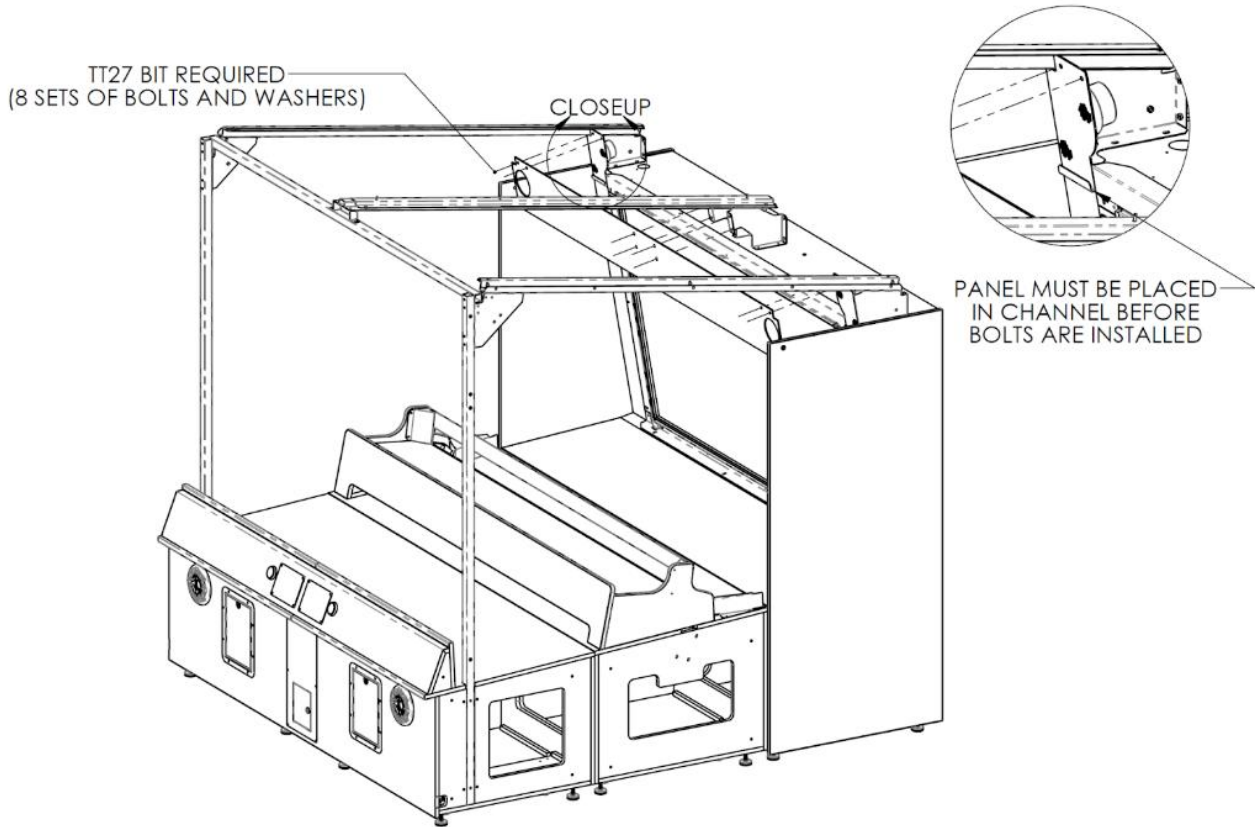


4. Locate center channel assembly and safely install onto the cross tube and monitor top panel, taking care to not crush any wires during installation. Use (3) $\frac{1}{4}$ "-20 x $\frac{25}{32}$ " flanged JCB-B bolts with $\frac{5}{32}$ " Allen driver to secure assembly to cross tube, then use (4) #8 x $\frac{5}{8}$ " hex washer head screws with $\frac{1}{4}$ " socket to secure assembly into pilot holes on monitor cabinet's top panel.

*****Note: bracket R1-1475 of the center channel assembly needs to be installed according to the image below before mounting the assembly on top of the game.*****

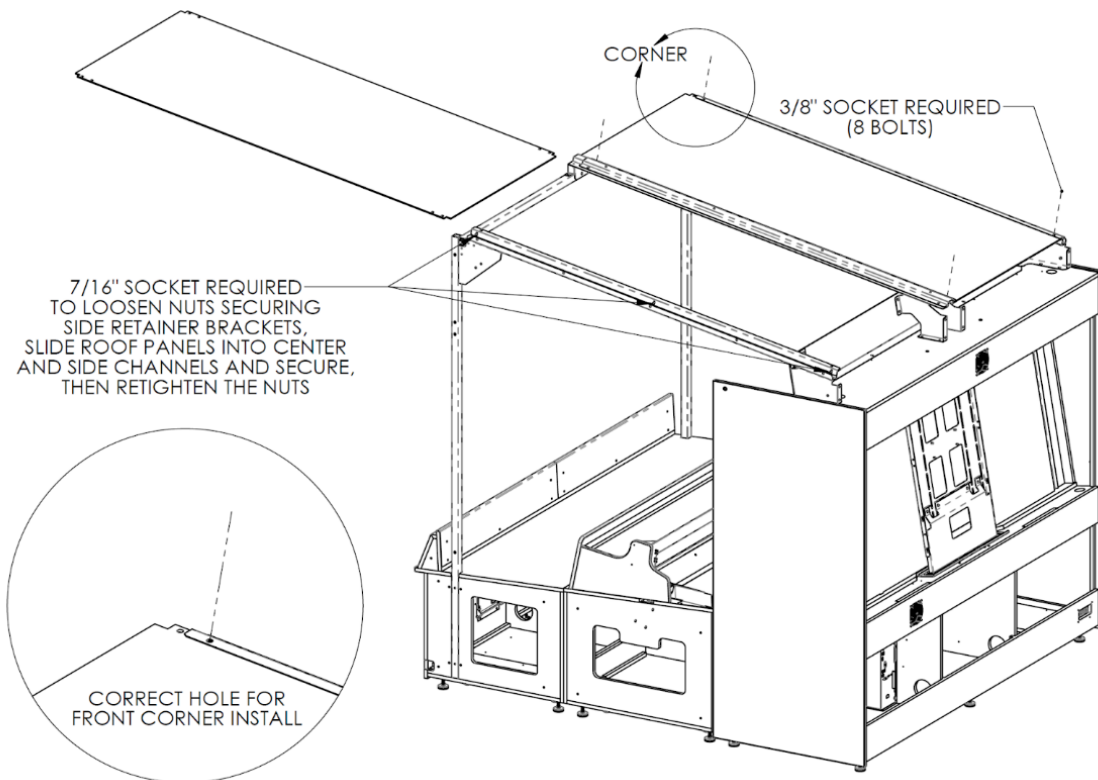


Stranger Things Arcade



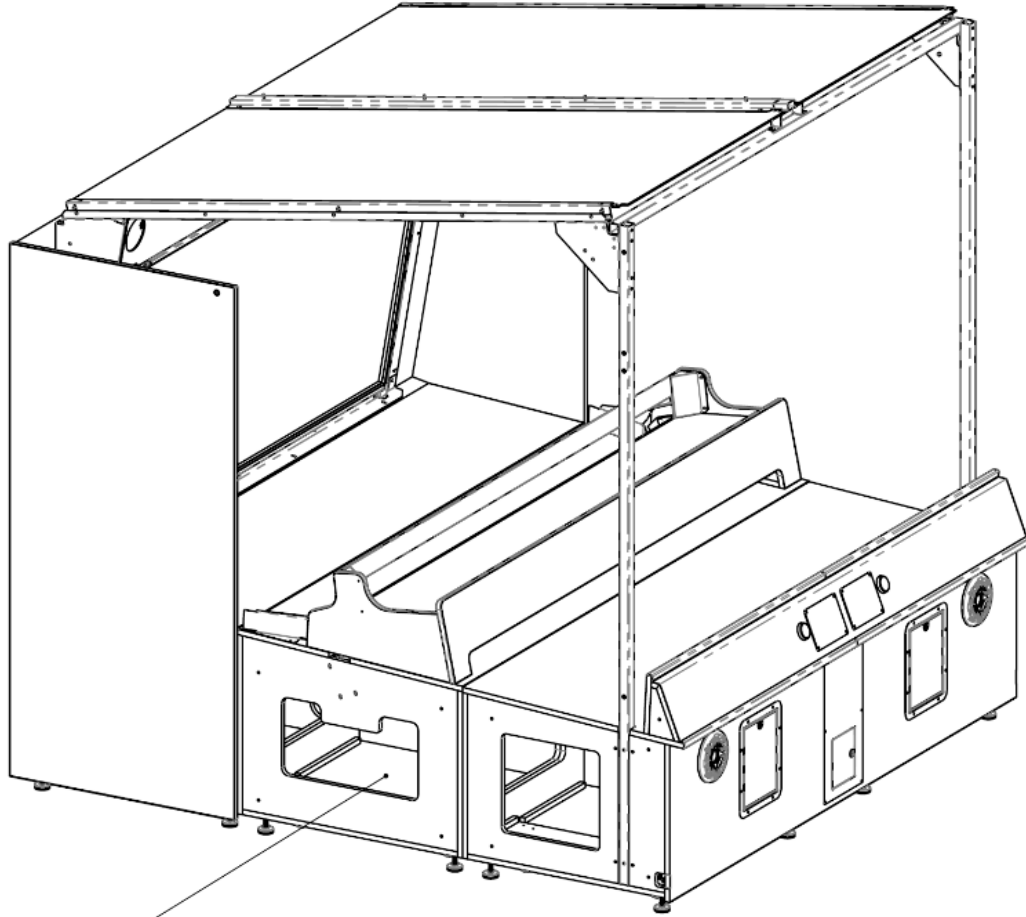
5. Locate black speaker blocker panel and (8) $\frac{1}{4}$ "-20 x $\frac{1}{2}$ " TT27 bolts with large fender washers. Set panel into hanging flange channel at bottom of speaker assemblies, then install (8) bolts and fully tighten with TT27 driver.

Stranger Things Arcade



- Using 7/16" socket, loosen (3) 1/4"-20 lock nuts on each roof side bracket to loosen the retainer brackets to allow roof panels to slip into center and side channels. Once roof panels are slipped into place (reference CORNER detail above), use 3/8" socket with (4) 1/4"-20 x 3/4" hex washer head bolts per roof panel to secure to center and side channel assemblies, then tighten the lock nuts that were loosened for side retainer brackets.

Stranger Things Arcade

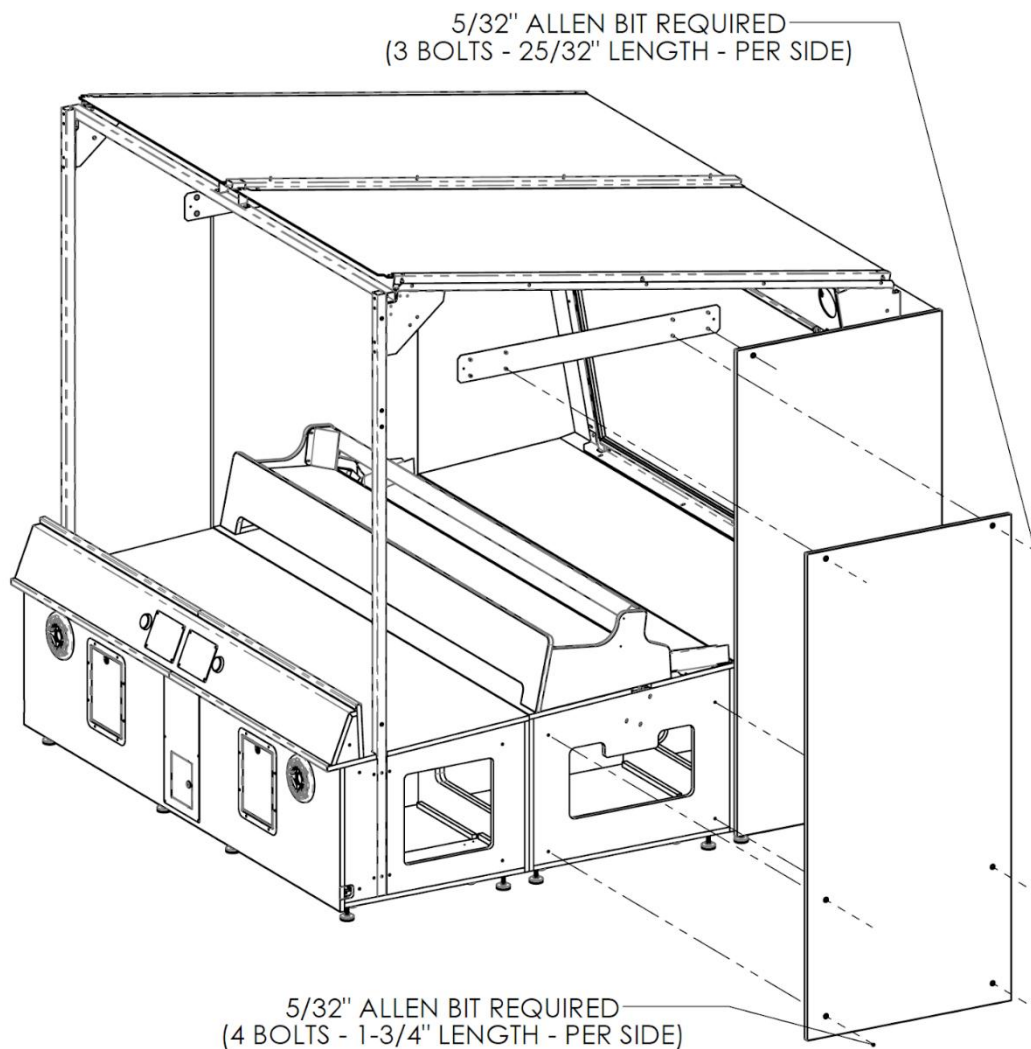


— CONNECT HARNESS AND USB WITHIN THIS COMPARTMENT,
USING CABLES FROM ALL 3 CABINETS

7. From left side access of mid cabinet (see image above), retrieve the harness bundles from all cabinets and complete the matched harness connections securely, in addition to (1) USB connection.
*****Please note that some connectors are marked with "NOT USED" labels*****

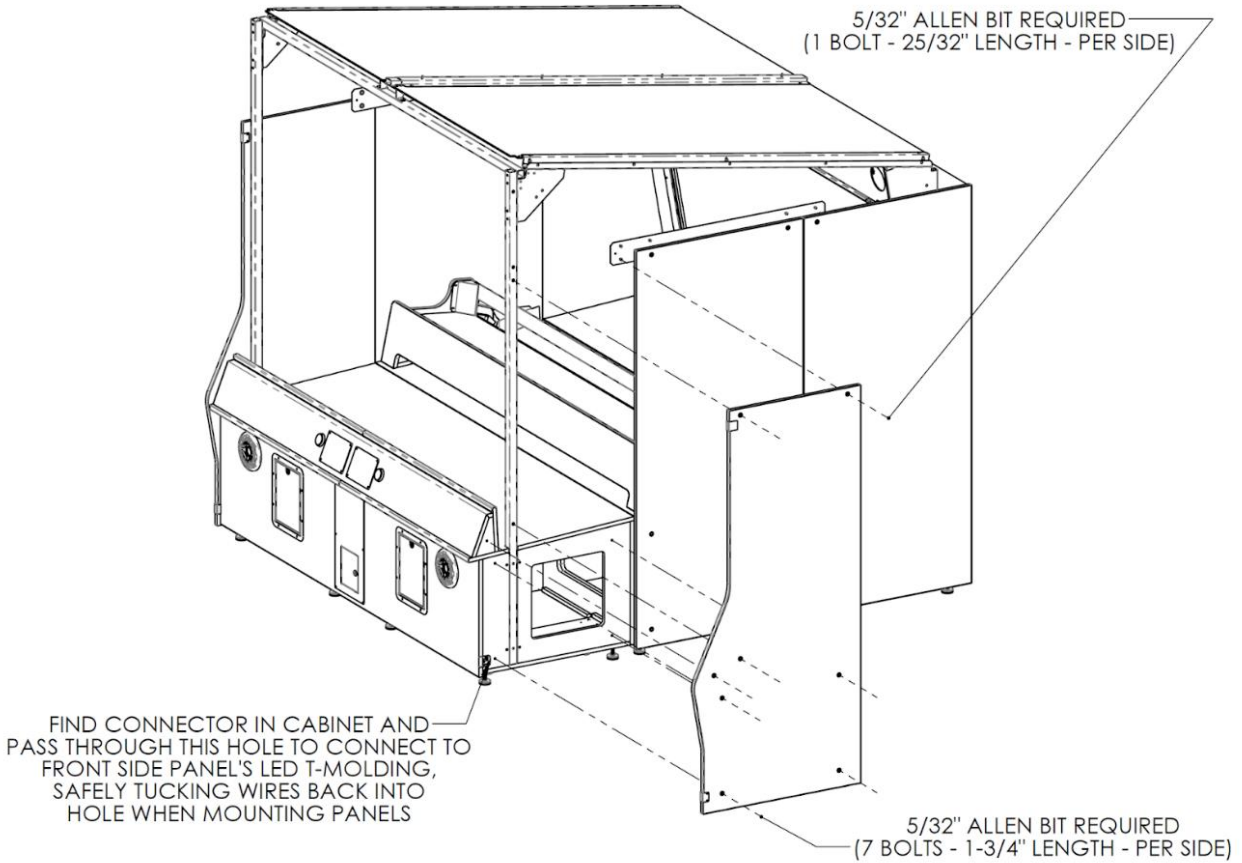
Stranger Things Arcade

Install Loose Side Panels and Marquee



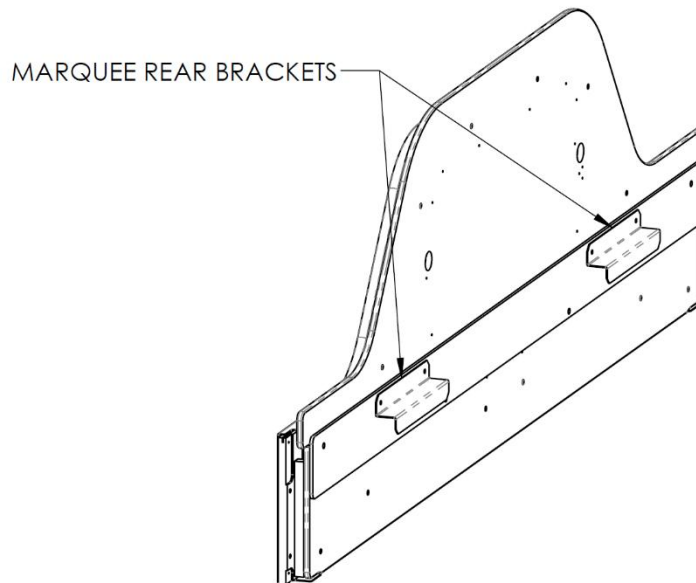
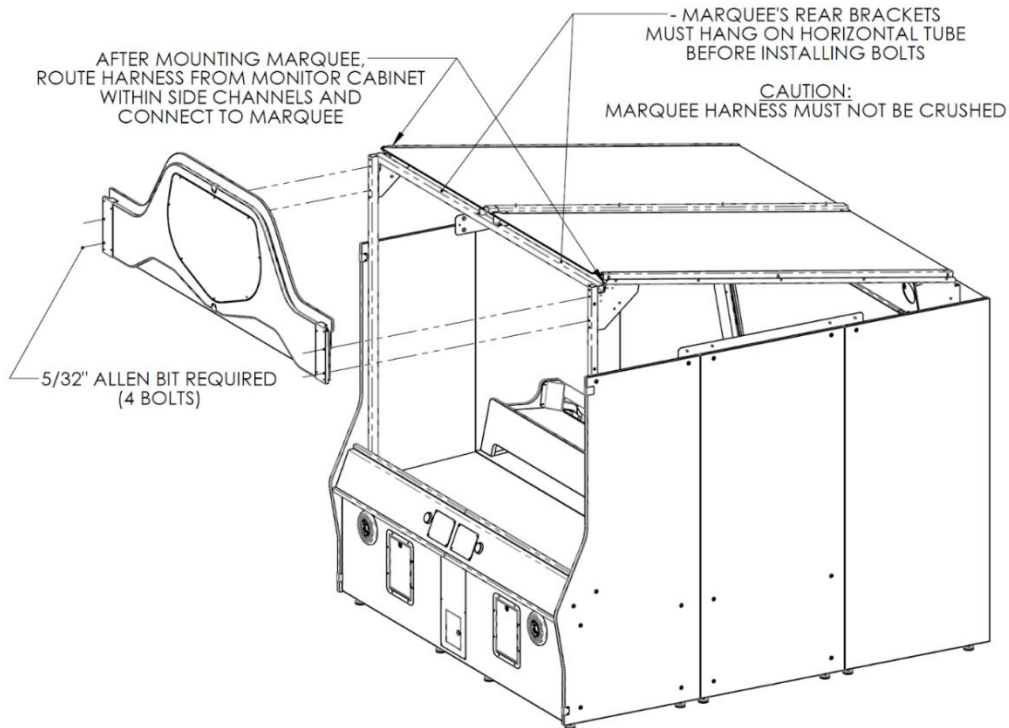
1. Locate Mid Side Panels, Inner Side Mending Plates and JCB-B bolts. For each side, use 5/32" Allen driver to secure mid panels to mid cabinet with (4) 1/4"-20 x 1-3/4" flanged JCB-B bolt. Then use (3) remaining 1/4"-20 x 25/32" flanged JCB-B bolts to mount mending plate to monitor cabinet side and mid side panel. All side panel bolts should remain loose during installation until all panels are mounted, then all bolts should be tightened.

Stranger Things Arcade



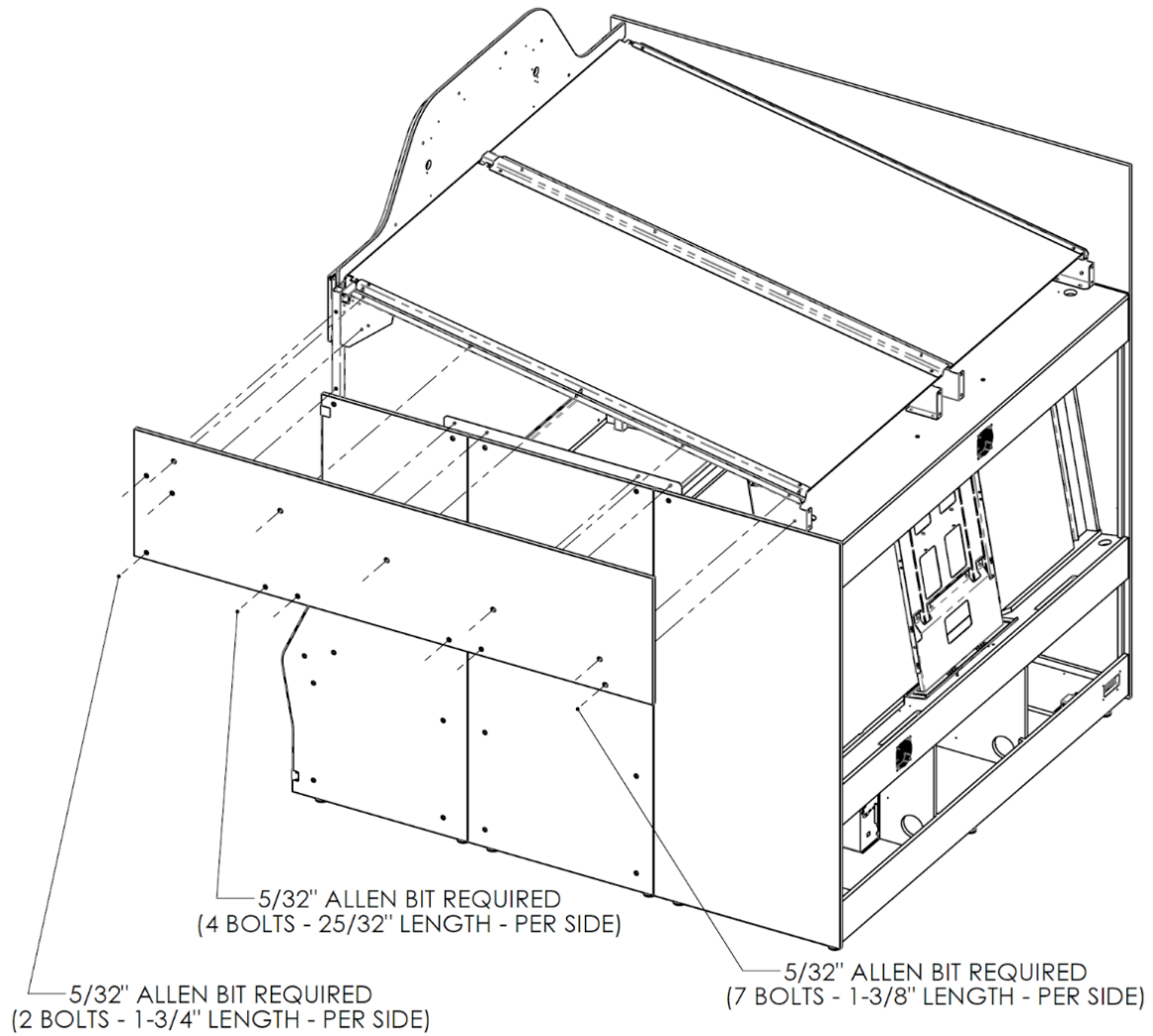
2. Locate Front Side Panels (with T-Molding) and JCB-B bolts. For each side, first retrieve mating connector for LED T-Molding from within cabinet and pass through small cutout. Connect to side panel's connector and tuck wires back into cabinet while holding panel in place to secure to cabinet as shown. Use 5/32" Allen driver with (7) 1/4"-20 x 1-3/4" flanged JCB-B bolt to secure to all cabinet and tube mounts and use (1) remaining 1/4"-20 x 25/32" flanged JCB-B bolts to attach to mending plate.

Stranger Things Arcade



Marquee assembly will hang on horizontal cross tube and rest flush to front of vertical tubes. First, attach rear brackets to marquee using 7/16" socket with (4) 1/4"-20 x 1-1/4" hex bolts with split-lock washers. Next safely, carry marquee up ladders and hang on cross tube, taking care to not crush any wires during the process. Then use 5/32" Allen driver with (4) 1/4"-20 x 2-3/4" flanged JCB-B bolt to secure marquee through vertical tubes to brackets of roof side assemblies. Once secured, retrieve harness bundles from atop monitor cabinet and run through roof side assemblies up to marquee and complete (5) connections with marquee. Cable clamps are located within roof side assemblies to secure harness once connected.

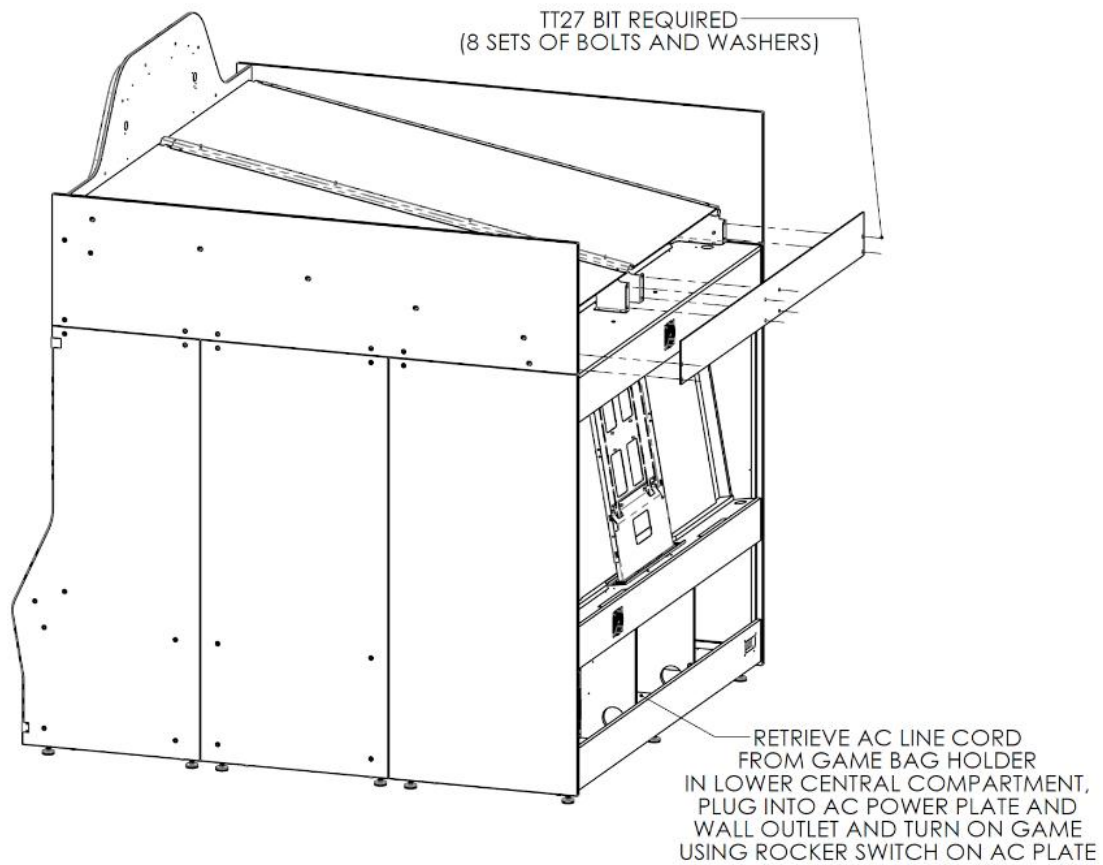
Stranger Things Arcade



3. Safely install upper side panels with (3) different length bolts using 5/32" Allen driver:
 - a. (2 per side) 1/4"-20 x 1-3/4" flanged JCB-B bolts will mount into vertical tube
 - b. (4) 1/4"-20 x 25/32" flanged JCB-B bolts will mount to mending plate
 - c. (7) 1/4"-20 x 1-3/8" flanged JCB-B bolts will mount to roof side assemblies and speaker assembly
4. Fully tighten all side panel bolts once all panels are in place.

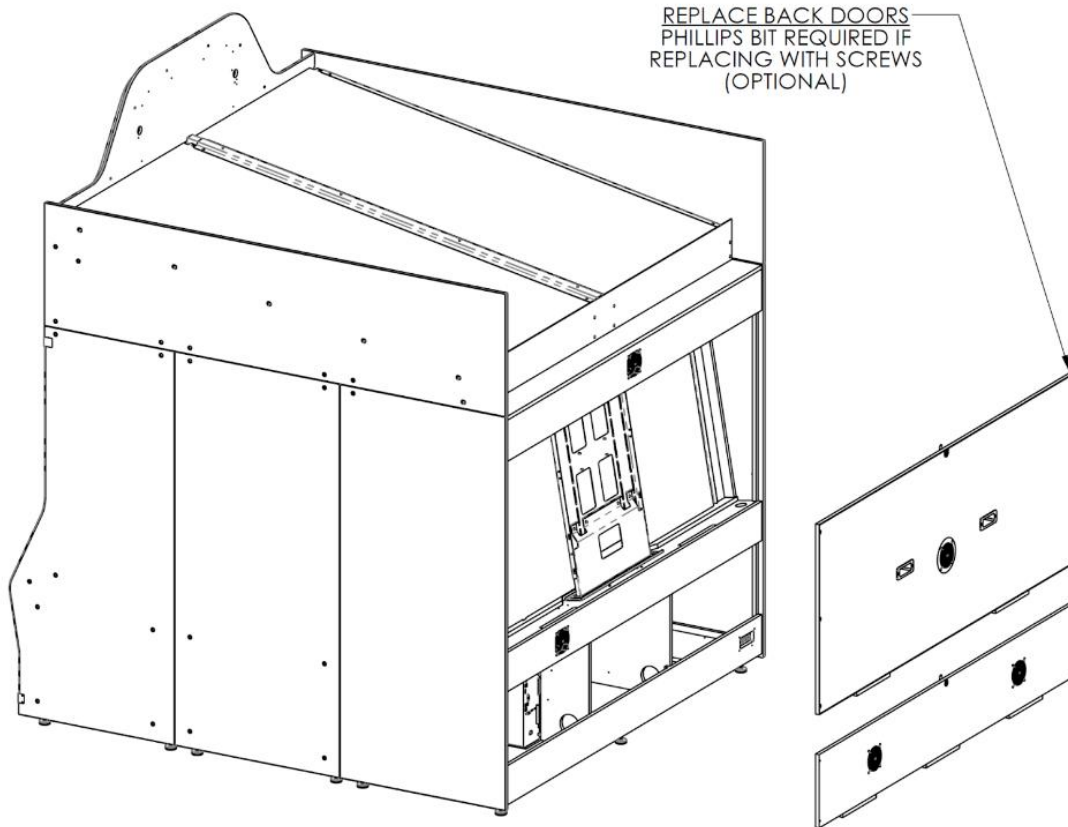
Stranger Things Arcade

Complete Install and Power On



1. Locate black rear blocker panel and (8) ¼"-20 x ½" TT27 bolts with large fender washers. Secure panel to brackets on monitor cabinet with TT27 driver.
2. Locate AC Line Cord from within central compartment of monitor cabinet and plug into game's AC inlet plate and into wall outlet. Switch game on using rocker switch on AC inlet plate.

Stranger Things Arcade



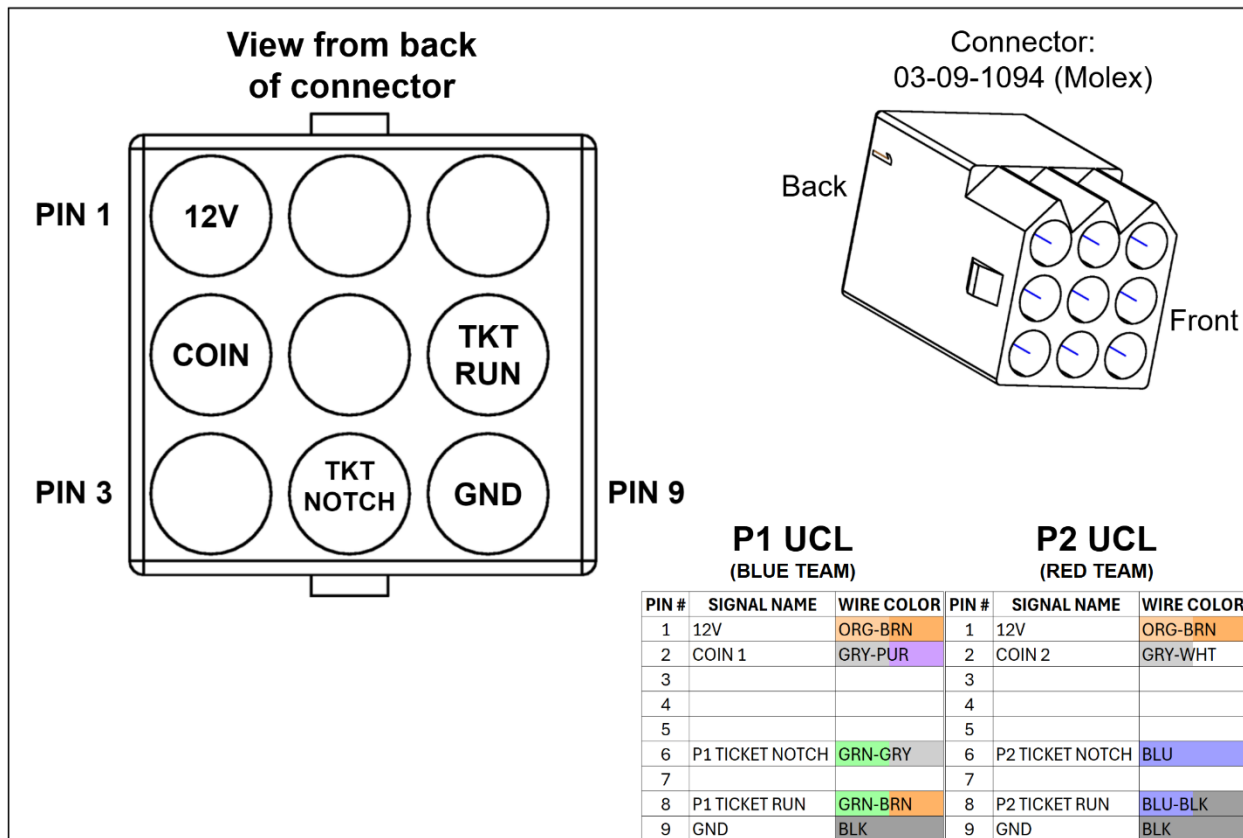
3. Replace back doors. Proceed with card reader installation.

Card Reader Installation and Setup

UCL, or Universal Card Link, is a debit card standard established by the American Amusement Machine Association. Visit <https://coin-op.org/standardization/> for the latest UCL standard and manual information.

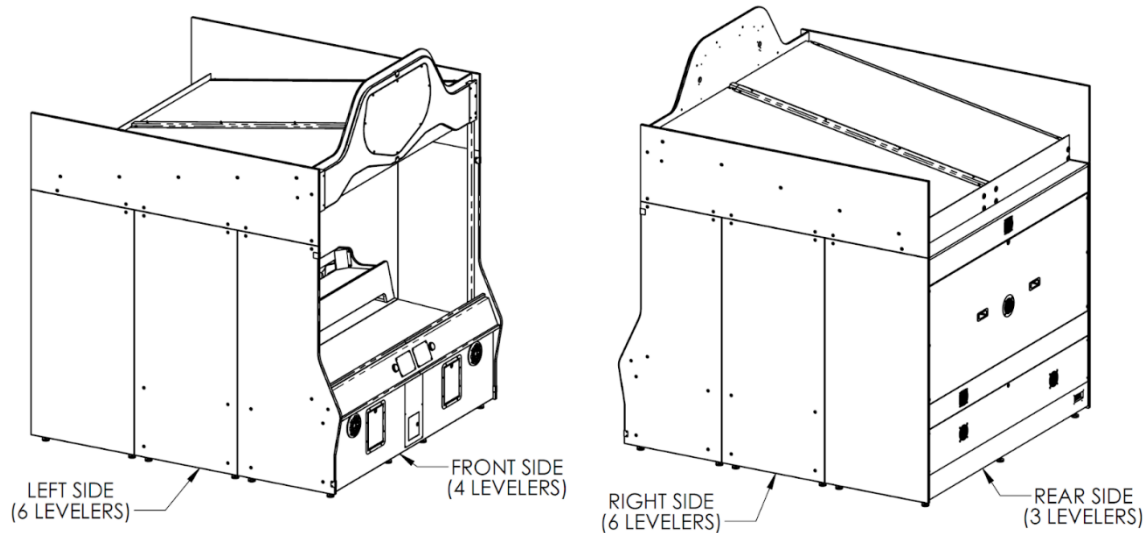
There are (2) supplied connections, each located under the card reader mounting access plates on the control panel of the Front Cabinet assembly.

The UCL connectors use pins 1, 2, 6, 8, and 9. The other pins are unused. Each UCL connector can supply up to 1A at 12VDC.



You must install (2) card readers for e-ticket redemption.

Load Balls and Complete Cabinet Leveling for Optimal Ball Gate Operation



1. Install 200 balls into game cabinet, locate test bracket behind front central access door, and navigate through test menu to gate test in diagnostics.
 - a. PLEASE NOTE THAT INSTALLING TOO MANY BALLS WILL NEGATIVELY AFFECT GATE PERFORMANCE, LEADING TO SEVERE JAMS AND BACKUPS.
 - b. 200 balls roughly fill the ramp area of mid cabinet behind the gate when balls are in single layer (i.e. not stacked on top of each other).
2. There are 15 leg levelers on cabinet assembly to compensate for uneven floors and for improving ball rolling and gate performance issues. First, raise all leg levelers so they are not in contact with floor to start process.
3. Use start buttons to open and close gate and observe balls rolling down to player area. If ball collection is favoring one side of cabinet, such as left (blue) or right (red), you will need to extend the leg levelers on the side of ball collection to raise that side of cabinet and better balance the flow of balls.
 - a. EXAMPLE: if balls are collecting more on left side, extend the (6) leg levelers on left side of game in equal increments until ball rolling improves.
 - b. Once left-to-right adjustment is satisfactorily completed and balls are rolling to players area well, lower all other leg levelers to contact floor.
 - c. If balls are still not rolling well, the rear leg levelers may need be further extended to elevate rear of cabinet assembly. This is especially important on padded carpet locations.

Check Electrical Settings

1. Verify the voltage in the nearest AC outlet.
2. Verify the AC outlet ground connection is present and working.

Startup Game

1. Plug the cord into an AC outlet.
2. Turn the main cabinet power switch on.
3. Verify the game and all components are operating normally. See *Basic Functional Test on Initial Power Up* in the *Diagnostics and Adjustments* section for the recommended procedure.
4. Complete the monitor setup (next page).

*****IMPORTANT*****

PLEASE FOLLOW INSTRUCTIONS TO SET UP MONITORS

LG MONITOR SETTINGS (120V ONLY)

Model # 86PK340S

STEP 1: Verify game is connected to monitor in HDMI IN 1 at rear of monitor.

STEP 2: Power on GAME cabinet and MONITOR, wait about 30 seconds.

STEP 3: Press the power button on the remote. Set the language and location to match the cabinet's location.

STEP 4: Press the "LINE IN" button on the remote. Navigate to "HDMI 1."

STEP 5: Press "MENU" on the remote to enter the settings menu.

STEP 6: Verify the settings below, navigating with the remote:

- All Settings
 - Picture
 - Select Mode: Game Optimizer
 - General
 - System
 - Input Manager
 - HDMI 1: PC
 - Energy Saving
 - Energy Saving Step: OFF
 - No Signal Auto Off: OFF (disabled)

STEP 7: Hold the "SETTINGS" button for 5 seconds until a grey stripe with "HDMI 1" appears on top.

STEP 8: Quickly press "1105" and then "OK" to enter a hidden menu. This must be done before "HDMI 1" disappears.

STEP 9: Verify the settings below, navigating with the remote:

- Public Display Setting
 - ON: [X] Enabled
 - Power On Status: PWR
 - Volume: OFF
 - Power On Default
 - ON: [x] Enable
 - Input: HDMI 1
 - Power Management: OFF
- General
 - Configuration Setup
 - No Signal Image: OFF

*****IMPORTANT*****

PLEASE FOLLOW INSTRUCTIONS TO SET UP MONITORS

LG MONITOR SETTINGS (WORLDWIDE)

Model # 86UL3Q-E

STEP 1: Verify game is connected to monitor in HDMI IN 1 at rear of monitor.

STEP 2: Power on GAME cabinet and MONITOR, wait about 30 seconds.

STEP 3: Press the power button on the remote.

STEP 4: Set the initial one-time monitor settings as below

- LANGUAGE & LOCATION SETTINGS
 - (substitute local values as needed)
 - Language: English
 - Region: Europe
 - Country/Territory: United Kingdom
 - City: London
 - ⇒ Next
- NETWORK SETTINGS
 - Network: Wired
 - ⇒ Next
 - "If you connect to the network..." ⇒ select "OK"
- USER AGREEMENTS
 - [x] Terms of Use ⇒ check
 - ⇒ "AGREE"
- READY TO USE
 - [x] Quick Start / Normal
 - ⇒ Next
- QUICK START / NORMAL CONFIGURATION
 - Screen Rotation: OFF
 - External Input Rotation: OFF
 - Input: HDMI 1
 - No Signal Power Off: OFF (disable)
 - GO TO SETTINGS

STEP 5: Verify the other monitor settings as below.

- GENERAL
 - SYSTEM INFORMATION
 - Smart Energy Saving: OFF
 - POWER
 - No Signal Power Off: [] (disable)
 - DPM (Standby Mode): OFF
 - Power On Delay: 0

Stranger Things Arcade

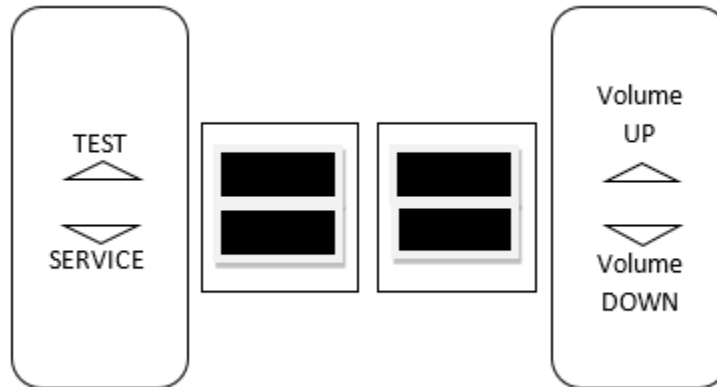
- Power on Status: PWR (auto-power on)
 - Quick Start: [x] (enable)
 - ADVANCED SETTINGS
 - Input Manager
 - HDMI1: PC
- DISPLAY
 - PICTURE MODE: General
 - ADVANCED SETTINGS
 - Average Picture Level Control: [] (disable)
 - ENERGY SAVING
 - Smart Energy Saving: [] (disable)
 - Brightness Control: OFF
 - Brightness Scheduling: OFF
- ADMIN
 - ENABLE ⇒ set password to "123456"
 - LOCK MODE
 - Home Dashboard Lock: [x] (enable)
 - USB Lock: [x] (enable)
 - IR Operation Lock: On (block all)
 - Screen Share Lock: ON

NOTE – After the ADMIN password has been set, to re-enter the settings menu:

**Hold the "SETTINGS" button for 5 seconds until a passcode screen appears,
enter the password, and press "ok".**

Diagnostic and Adjustments

The Service Button Panel has four buttons, three of which can navigate the menu system. P1 & P2 buttons can be used to navigate (see the table below).



Navigating the Test Menu	
Button	Action
TEST (Not in Test Menu)	Enters Test Menu
TEST/P1 Button (In Test Menu)	Selects Highlighted Option
SERVICE (On Main Menu)	Exits Test Menu
SERVICE (Not on Main Menu)	Cancels Selection
VOLUME UP	Move Up
VOLUME DOWN/P2 Button	Move Down
Start Buttons	Selects Highlighted Option

When in the Pricing Menu, an on-screen message acknowledges changes or when you exit a selection without making a change.

Basic Functional Test on Initial Power Up

1. Enter the Input Test and verify all switch inputs are working.
2. Enter the Monitor Test and verify the monitor is working properly.
3. Enter the Sound Test and verify the audio works and is not distorted.
4. Enter the Light Test and verify that all the lights are working properly.
5. Enter the Coin Meter Test and verify the coin meter is working properly.
6. Enter the Watchdog Test and verify the game reboots.
7. Upon a successful reboot, you are ready to adjust pricing, volume and other functions.

Test Menu

Main Menu

Choose from all available operator settings and menus here. You can use the test menu bracket and volume buttons to navigate.

STRANGER THINGS VERSION 0.01, WED MAR 27 14:43:29 CDT 2024	MARCH 19, 2026 08:15:23 AM	SERIAL #: XXXX CABINET TYPE: DELUXE 2 PLAYER
MAIN MENU		
DIAGNOSTICS	Verify or diagnose the operation of all game functions.	CURRENT SETTINGS CURRENCY INPUT: CASH COST TO PLAY: \$1.00 TICKET VALUE: \$0.1000 TARGET PAYOUT PERCENT: 30% TARGET TICKETS PER GAME: 30.0 NUMBER OF CASHBOXES: 1
PRICING ADJUSTMENTS		
GAME SETTINGS		
SYSTEM SETTINGS		
AUDITS		
RESETS		
VOLUME		
UTILITIES		
SYSTEM INFORMATION		
EXIT		
Navigation: Vol +/- Select Item: Test Go Back: Service		

Diagnostics

Verify or diagnose the operations of all game functions.

STRANGER THINGS		MARCH 19, 2026	SERIAL #: XXXX
VERSION 0.01, WED MAR 27 14:43:29 CDT 2024		08:16:08 AM	CABINET TYPE: DELUXE 2 PLAYER
DIAGNOSTICS			
INPUT TEST	Test input hardware such as switches.		
VIDEO TEST			
BALL SENSOR FRAME TEST			
GATE TEST			
AUDIO TEST			
CABINET LIGHTS TEST			
METER TEST			
TICKET TEST			
WATCHDOG TEST			
EXIT			
		CURRENT SETTINGS	
		CURRENCY INPUT: CASH	
		COST TO PLAY: \$1.00	
		TICKET VALUE: \$0.01000	
		TARGET PAYOUT PERCENT: 30%	
		TARGET TICKETS PER GAME: 30.0	
		NUMBER OF CASHBOXES: 1	
Navigation: Vol +/- Select Item: Test Go Back: Service			

- **Input Test:** Test input hardware such as switches.
- **Video Test:** Checks color pattern of monitors.
- **Ball Sensor Frame Test:** Test the frame's ability to detect thrown balls.
- **Gate Test:** Test the mechanical gate that raises and lowers to collect and release balls.
- **Audio Test:** Test audio using 100Hz and 1000Hz.
- **Cabinet Lights Test:** Tests all LED cabinet lighting together and individually.
- **Meter Test:** Test the functionality of the mechanical coin meter inside the cabinet.
- **Ticket Test:** Test the functionality of the ticket mech.
- **Watchdog Test:** Test the functionality of the Watchdog (if successful the cabinet will power off and reboot).

Pricing Adjustments

Set pricing and payout adjustments for game operation.

STRANGER THINGS		MARCH 19, 2026	SERIAL #: XXXX
VERSION 0.01, WED MAR 27 14:43:29 CST 2024		08:24:51 AM	CABINET TYPE: DELUXE 2 PLAYER
PRICING ADJUSTMENTS			
CURRENCY INPUT	CARD SWIPES	Change the currency input.	
CURRENCY TYPE	US DOLLARS		
SWIPE VALUE	\$1.00		
NUMBER OF CARD READERS	2		
PAYOUT PERCENT	30%		
TICKET VALUE	\$0.01000		
JACKPOT TICKETS	500		
FIXED TICKET MODE	OFF		
MAX CREDITS	30		
FREE PLAY	OFF		
MERCY TICKETS	1	CURRENT SETTINGS CURRENCY INPUT: CARD SWIPES COST TO PLAY: \$1.00 TICKET VALUE: \$0.01000 TARGET PAYOUT PERCENT: 30% TARGET TICKETS PER GAME: 30.0 NUMBER OF CARD READERS: 2	
TWO POINT TICKETS	OFF		
EXPRESS PAYOUT	ON		
EXIT			
Navigation: Vn +/- Select Item: Tes- Go Back: Service			

- **Currency Input:** Change the currency input (Cash/Tokens/Card Swipes/Card Taps).
- **Currency Type:** Change the currency type.
- **Currency Value:** Change the money value of the coins/tokens/card swipes/card taps.
- **Number of Cashboxes/Card Readers:** Cash/Tokens = 1 / Card Swipes/Taps = 2
- **Payout Percent:** Set targeted payout percentage.
- **Ticket Value:** Set the value of your tickets.
- **Jackpot Tickets:** Set the value of the jackpot award.

- **Fixed Ticket Mode:** Force identical payout for each play.
- **Max Credits:** Adjust the maximum number of credits.
- **Freeplay:** Turn free play mode on or off.
- **Mercy Tickets:** Set the minimum number of tickets awarded each play.
- **Two Point Tickets:** Allows a single ticket dispensed to be worth 2 points in a game.
- **Express Payout:** ON: Tickets dispense as they are earned (recommended) / OFF: Ticket payout is dispensed at the end of the game.

Game Settings

Adjust game settings for operation.

STRANGER THINGS
VERSION 0.01, WED MAR 27 14:43:29 CDT 2024MARCH 19, 2026
08:36:36 AMSERIAL #: XXXX
CABINET TYPE: DELUXE 2 PLAYER

GAME SETTINGS

HIDE FEMALES	OFF
AMUSEMENT MODE	OFF
ATTRACT MUSIC FREQUENCY	ALWAYS

EXIT

Points based mode with no ticket payouts and longer gameplay for non-redemption locations.

CURRENT SETTINGS

CURRENCY INPUT: CASH
COST TO PLAY: \$1.00
TICKET VALUE: \$0.01000
TARGET PAYOUT PERCENT: 30%
TARGET TICKETS PER GAME: 30.0
NUMBER OF CASHBOXES: 1

Navigation: Vn +/-
Select Item: Test
Go Back: Service

- **Hide Females:** No user adjustments available.
- **Amusement Mode:** Mode with no ticket payouts. Audits will be reset and adjustments will be synced.
- **Attract Music Frequency:** How often should music play in attract mode.

Stranger Things Arcade

System Settings

This menu allows for customization of various system settings.

STRANGER THINGS		MARCH 19, 2026	SERIAL #: XXXX
VERSION 0.01, WED MAR 27 14:43:29 CDT 2024		08:38:45 AM	CABINET TYPE: DELUXE 2 PLAYER
SYSTEM SETTINGS			
CABINET LED BRIGHTNESS	MAX	Adjust the brightness of the cabinet lighting.	
TRADESHOW MODE	OFF		
DATE & TIME	3/19/2026 8:38:45 AM		
LANGUAGE	ENGLISH		
EXIT		CURRENT SETTINGS	
		CURRENCY INPUT: CASH	
		COST TO PLAY: \$1.00	
		TICKET VALUE: \$0.01000	
		TARGET PAYOUT PERCENT: 30%	
		TARGET TICKETS PER GAME: 300	
		NUMBER OF CASHBOXES: 1	
Navigation: Vol +/- Select Item: Test Go Back: Service			

- **Cabinet LED Brightness:** Adjust the brightness of the cabinet LED lights.
- **Tradeshow Mode:** Tickets won in this mode will produce no actual paid tickets or ticket errors.
- **Date & Time:** Use to set the date and time.
- **Language:** Set in-game language.

Stranger Things Arcade

Audits

Audit screen helps assess game performance, find intermittent problems, decide whether to adjust game difficulty and help maximize game earnings.

There are no special menu options for this test menu entry.

STRANGER THINGS
VERSION 0.01, WED MAR 27 14:43:29 CDT 2024MARCH 19, 2026
08:41:51 AMSERIAL #: XXXX
CABINET TYPE: DELUXE 2 PLAYER

AUDITS

PAGE 1 OF 12

0.01
Thursday, March 19, 2026 8:41:48 AM

Last Audit Reset: Thursday, March 19, 2026 8:32:38 AM

COIN AUDITS

Shared cashbox - Money In	\$0.00
Shared cashbox - Money Spent	\$0.00
Shared cashbox - Money Unspent	\$0.00

Total Coins From All Inputs	0
Coins From Input 1	0
Coins From Input 2	0

Pulses on DBV 1	0
Lifetime Pulses on DBV 1	0
Pulses on DBV 2	0
Lifetime Pulses on DBV 2	0

Coins From Service Press	0
--------------------------	---

CURRENT SETTINGS

CURRENCY INPUT: CASH

COST TO PLAY: \$1.00

NUMBER OF CASHBOXES:
1

Navigation: Vol +/-

Go Back: Service

Resets Menu

Resets menu allows for the resetting of various machine settings and audits.

STRANGER THINGS VERSION 0.01, WED MAR 27 14:43:29 CDT 2024	MARCH 24, 2026 12:16:05 PM	SERIAL #: 12345 CABINET TYPE: DELUXE 2 PLAYER
RESETS MENU		
RESET CREDITS	Reset all credits to zero.	CURRENT SETTINGS CURRENCY INPUT: CASH COST TO PLAY: \$1.00 TICKET VALUE: \$0.01000 TARGET PAYOUT PERCENT: 30% TARGET TICKETS PER GAME: 30.0 NUMBER OF CASHBOXES: 1
RESET PLAYER 1 TICKETS		
RESET PLAYER 2 TICKETS		
RESET PRICING ADJUSTMENTS		
RESET GAME ADJUSTMENTS		
RESET GAME AUDITS		
RESET SYSTEM AUDITS		
RESET COIN AUDITS		
RESET ALL AUDITS		
FACTORY RESTORE		
EXIT		
Navigation: Vol +/- Select: Item: Test Go Back: Service		

- **Reset Credits:** Reset credits to zero (0).
- **Reset Player 1 Tickets:** Clears out all tickets owed on the game.
- **Reset Player 2 Tickets:** Clears out all tickets owed on the game.
- **Reset Pricing Adjustments:** Reset all pricing settings to default.
- **Reset Game Adjustments:** Reset all game settings to default.
- **Reset Game Audits:** Reset all game related audits.
- **Reset System Audits:** Reset all system audits.
- **Reset Coin Audits:** Reset all coin audits.
- **Reset All Audits:** Reset all audits.
- **Factory Restore:** Restore game to default factory settings.

Volume

Volume adjustments.

STRANGER THINGS		MARCH 19, 2026	SERIAL #: XXXX
VERSION 0.01, WED MAR 27 14:43:29 CDT 2024		08:42:26 AM	CABINET TYPE: DELUXE 2 PLAYER
VOLUME			
GAME VOLUME		13/25	Adjust the volume during gameplay.
ATTRACT VOLUME		13/25	
CREDIT VOLUME		13/25	
EXIT			
CURRENT SETTINGS			
CURRENCY INPUT: CASH			
COST TO PLAY: \$1.00			
TICKET VALUE: \$0.01000			
TARGET PAYOUT PERCENT: 80%			
TARGET TICKETS PER GAME: 30.0			
NUMBER OF CASHBOXES: 1			
Navigation: Vo +/- Select Item: Tes- Go Back: Service			

- **Game Volume:** Adjust the volume during gameplay (from 0 to 25).
- **Attract Volume:** Adjust the volume during the attract mode sequences (from 0 to 25).
- **Credit Volume:** Adjust the volume of the credit chime (from 0 to 25).

Utilities

Miscellaneous operator tools.

STRANGER THINGS VERSION 0.01, WED MAR 27 14:43:29 CDT 2024	MARCH 19, 2026 08:43:08 AM	SERIAL #: XXXX CABINET TYPE: DELUXE 2 PLAYER
UTILITIES		
COPY AUDITS AND LOGS TO USB	Copy all audits and diagnostics to USB drive.	
VIEW GAME LOG		
VIEW ERROR LOG		
EXIT		
CURRENT SETTINGS CURRENCY INPUT: CASH COST TO PLAY: \$1.00 TICKET VALUE: \$0.01000 TARGET PAYOUT PERCENT: 30% TARGET TICKETS PER GAME: 50.0 NUMBER OF CASHBOXES: 1		
Navigation: Vol +/- Select Item: Test Go Back: Service		

- **Copy audits and logs to USB:** Copy all audits and logs to USB drive.
- **View Game Log:** Examine logged messages from the game.
- **View Error Log:** Examine error messages from the game.

Stranger Things Arcade

System Information

This screen allows you to see various information about the software and hardware.

There are no special menu options for this test menu entry.

STRANGER THINGS **MARCH 19, 2026** **SERIAL #: XXXX**
VERSION 0.01, WED MAR 27 14:43:29 CDT 2024 **08:44:38 AM** **CABINET TYPE: DELUXE 2 PLAYER**

SYSTEM INFORMATION

PAGE 1 OF 3

Serial Number: -1 CabinetType: 0 GameTemplate: -1 Version: -1
IO Board Firmware Version: 0
Rio2 Lib Version: v1.8.9

PROGDEV-008 Model: HP Z2 Tower G9 Workstation Desktop PC (HP)
DeviceUniqueIdentifier: 5136097506a4b7b2e4d29a423562e4302ef84b47
CPU: Intel(R) Core(TM) i9-14900K |32 cores|
RAM: 130777 MB
Graphics Card: NVIDIA GeForce RTX 4070 Ti SUPER VRAM: 16661
Graphics API: Direct3D 11.0 |level 11.1| Type=Direct3D11
Graphics Jobs Mode: MultiThreaded
2022.3.26f1
Screen: 3840x2160@59.997Hz
OS: Windows 11 (10.0.26200) 64bit [Desktop]

Memory	RAM-Swap Usage:	0 MB	0%
Memory	- RAM Usage:	0 MB	0%
Memory	- Swap Usage:	0 MB	0%
Graphics	VRAM Usage:	0 MB	0%
Graphics	BAR1 Usage:	0 MB	0%

CURRENT SETTINGS
CURRENCY INPUT: CASH
COST TO PLAY: \$1.00
NUMBER OF CASHBOXES:
1

Go Back: Service

Choosing the Right Pricing Adjustments for Your Location

Card Swipe Locations

- Make Sure Your Game is Set to **Swipes Mode**:
 1. Hold the Test Button for 2 seconds to enter the Test Menu.
 2. Select “Pricing Adjustments” from the menu.
 3. Select “Currency Input” from the menu.
 4. Select “Card Swipes” from the menu.
 5. Exit out of “Currency Input” menu.
 6. While back in “Pricing Adjustments” menu, set “Swipe Value” to the currency equivalent of your swipe, or the payout will be incorrect. **THIS SETTING IS EXTREMELY IMPORTANT!** (Example: If the card swipe is worth \$1.50 in your card system, set the swipe value to \$1.50 as well).

Coin/Token Locations

- Make Sure Your **Pricing & Coin Value** are Correct:
 1. Hold the Test Button for 2 seconds to enter the Test Menu.
 2. Select “Pricing Adjustments” from the menu.
 3. Select “Currency Input” from the menu.
 4. Select “Cash” or “Tokens” from the menu.
 5. Exit out of “Currency Input” menu.
 6. While back in “Pricing Adjustments” menu
 - a. Select “Coins to Play” and set the desired amount of coins per game of Stranger Things Arcade
 - b. After setting the coins per play, set “Coin Value” to the currency equivalent of your coin, or the payout will be incorrect. **THIS SETTING IS EXTREMELY IMPORTANT!** (Example: If your coin is worth \$0.25, set “Coin Value” to \$0.25 as well).

PC Hardware

Your *Stranger Things Arcade* game uses a **Lenovo M70t Gen3 Desktop PC with an RTX3050 video card.**



(above: Lenovo M70t Gen3 Desktop PC)

NOTICE

WARNING: DO NOT ENTER THE BIOS SETTINGS MENU! Modifying the BIOS settings will cause your game to stop functioning. In order to boot, new security features verify the BIOS settings against factory settings, including timestamp.

PC Hard Drive Recovery

Symptoms requiring a PC hard drive recovery include:

- File test reports bad or missing files.
- Game fails to finish loading during setup.
- After resetting the AC power, an error is reported.
- Erratic Game or Attract Mode behavior.

The only way to repair corrupt files is to reinstall the software as described below:

Computer

The computer contains sensitive components. Do not handle roughly. Contact your distributor before servicing its internal components. Ask about warranty information as it relates to the PC.

Do **not** use the PC on/off switch. Turn AC power on or off with the cabinet power switch.

Steps to reinstall the software (the game ships with (1) USB drive which is used in the steps below):

(USB Thumb Drive is used on the *Lenovo M70t Gen3*)

*****ATTENTION: An approved “Business Account” on rawthrills.com is required to complete software installation. Please complete account activation before installing software!*****

*****See website for details: <https://rawthrills.com/raw-web/login>*****

1. With game and PC on, verify that the RIO2 board has power. If not, see Troubleshooting.
2. Open the upper back door of the cabinet.
3. Insert the recovery USB thumb drive (included in your game) into the USB port on the Test Bracket.
4. Turn cabinet power switch to OFF. Wait 30 seconds.
5. Turn cabinet power switch to ON. Wait for install menu to load.
6. Once the install menu has loaded, press the Test button on the service bracket to select the installation program and then press the Test button to confirm that you want to continue with the installation.
7. Follow on screen instructions to begin recovery.
8. If recovery does not begin, check to ensure USB Drive is inserted correctly and is not damaged.
9. Initial software loading may take several minutes. Check progress periodically.
Do not interrupt power or reset the game during recovery.
10. When software has been loaded, a message indicates that restore is complete. When instructed to remove USB Drive, wait 15 seconds then remove the drive from the PC.
11. Turn cabinet power switch off. Wait 30 seconds. Turn the cabinet on again.



12. Scan the QR code to the left or [click here \(if viewing on electronic device\)](#) for instructions on completing setup.

Troubleshooting

Warning: Review the Safety section before making any adjustments to the game.

Problem	Possible Cause	Solution
Game will not power up.	Game not plugged in.	Plug game into AC outlet.
	Game not turned on.	Turn on main power switch.
	Game fuse is blown.	Check and replace fuse. See Specification section for fuse values.
	No power to receptacle.	Test AC outlet and plug game into powered outlet.
	PC BIOS set incorrectly.	See BIOS Settings section.
	Flash Drive Installer is left connected to PC.	Disconnect Flash Drive Installer and power cycle the game.
Buttons do not work.	Faulty micro switch.	Replace the micro switch on the joystick/button and re-test. Verify that the wires are connected to the correct spades on the micro switch.
	Faulty wiring.	Disconnect the cabinet from AC power. Verify that all wires are firmly connected to each joystick/button and the PCB. Verify that no wires are frayed or improperly shorting to ground. Verify that wires are connected to the correct spades on the micro switches.
	Faulty PCB.	Ensure all connections to PCB are secure. Replace PCB if faulty.

Stranger Things Arcade

Problem	Possible Cause	Solution
Neither buttons nor audio work.	PCB connected to faulty USB port (boot message may indicate not detected)	To test a USB port, turn off the game, disconnect the device from the port, and then connect the game dongle to the port. Reboot the game. A No Dongle message indicates the port is bad. If the game starts, the port is working. After the test, reconnect all devices to the correct USB ports and reboot.
No sound or bad sound.		Check connection to speakers.
	Bad connection.	Verify 1/8" audio cable is fully inserted in both the PC and the audio amplifier.
	Volume set too low.	Use VOL UP button on Test panel to raise volume
	Faulty wiring.	Verify all wires are firmly connected to the speakers, PCB, and green computer audio port. Verify that each wire is connected to the correct port and no wires are frayed or improperly shorting to ground.
	Blown speakers.	Remove the grill and inspect each speaker for visible damage. Run the Sound Test from System Tests in the Operator Menu to verify each speaker is working.
	Reversed wires.	A weak or low muffled sound is a sign of reversed speaker wires. Check for reversed wires on each speaker.
	Faulty PCB.	To verify audio is working at the computer, connect stereo headphones to the green computer audio port.

Stranger Things Arcade

Problem	Possible Cause	Solution
Constant low audio hum.	Faulty power supply.	Check external DC supply and the PC supply.
	Open ground.	Check all ground wires in cabinet. Ensure AC wall outlet is properly grounded
Game does not load.	PC hard drive failure.	Recover hard drive. See Flash Installer Document or contact your distributor for the latest software revision.
PC Drive test reports “bad” or “missing” files.		
Game fails to finish loading.		
After resetting, game still reports an error.		
Erratic game mode or attract mode.		
WARNING! Data files Corrupted. (Game Operation May Become Unstable.) Use “Test” Switch to Enter Test Mode and Run “File Test.”		
Game Resets	Bad file.	Run Flash Installer.
No Video	PC not turned on.	Turn PC power switch on. Ensure IEC cable tightly plugged in. Trace cable back to source to ensure continuity.
	Video cable not secure.	Check and secure DVI or HDMI connector to Monitor. Check and secure DVI or HDMI connector to PC.
Coin meter does not click during test.	No pulse to meter.	Check wiring from meter to PCB board.
	Faulty meter.	Replace coin meter.
	Blown fuse(s)	Replace 12VDC fuse(s) in cabinet.

Stranger Things Arcade

Problem	Possible Cause	Solution
Dongle Not Present	Dongle missing or disconnected.	Find dongle cable and reseal in USB port.
	Faulty USB port.	Insert dongle cable in different USB port.
Improper number of credits given when coins or bills are inserted.	Incorrect setting in Pricing Adjustments.	Adjust pricing settings.
	Faulty wiring.	Disconnect cabinet from AC power. Verify wires are firmly connected to coin mech and bill validator and ground wires are properly connected. Verify no wires are frayed or shorting to ground.
	Faulty coin mech.	Verify coin mech is not jammed. Ensure coin mech is properly aligned and latched to coin door.
Exits Test Mode every 3 seconds.	Test button stuck in ON position.	Slide or toggle button off after Test Menu appears
Connect RIO Board or RIO Board Missing or RIO Disconnected.	USB cable disconnected.	Check USB connection from PC to RIO board.
	No Power to RIO board.	Check for proper voltage (+5V, +12V) at RIO P1 connector.
File Error.	The game attempted to do a System Call but it failed (memory/file handle issue).	Reboot the cabinet.
Ticket Error. See Attendant. Tickets Owed.	The cabinet has run out of tickets. The number of tickets owed should be displayed.	Add tickets to empty dispenser(s).
Machine ID Conflict Error.	Networking is Enabled, but two or more of the connected cabinets are using the same Machine ID.	Go to "System Settings>Network Settings>Network Machine ID." All connected cabinets MUST be using a different "Network Machine ID."
Game keeps rebooting without starting.	Software was downgraded to a previous version.	Update game with a USB drive to latest version.

Technical Support

For an authorized distributor near you, check the Raw Thrills website at www.rawthrills.com

Betson's Raw Thrills Technical Support Hotline

Phone: 1-800-753-2513

FAX: 1-201-438-5019

Email: rtsupport@betson.com

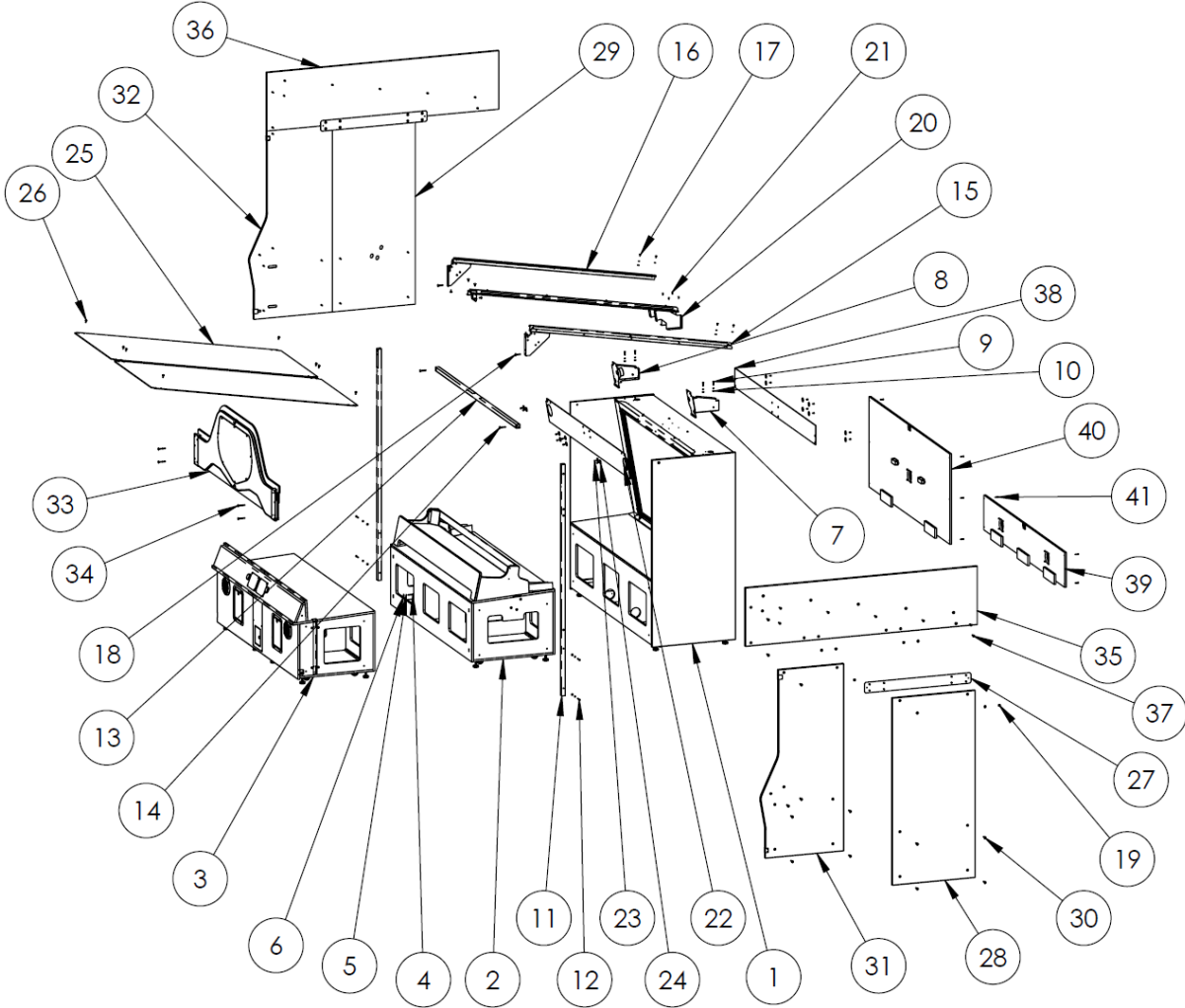


Electrical and Mechanical Illustrations



For the latest manual and information regarding this game scan the QR code or [click here \(if viewing on an electronic device\)](#)

Game Assembly Exploded Drawing

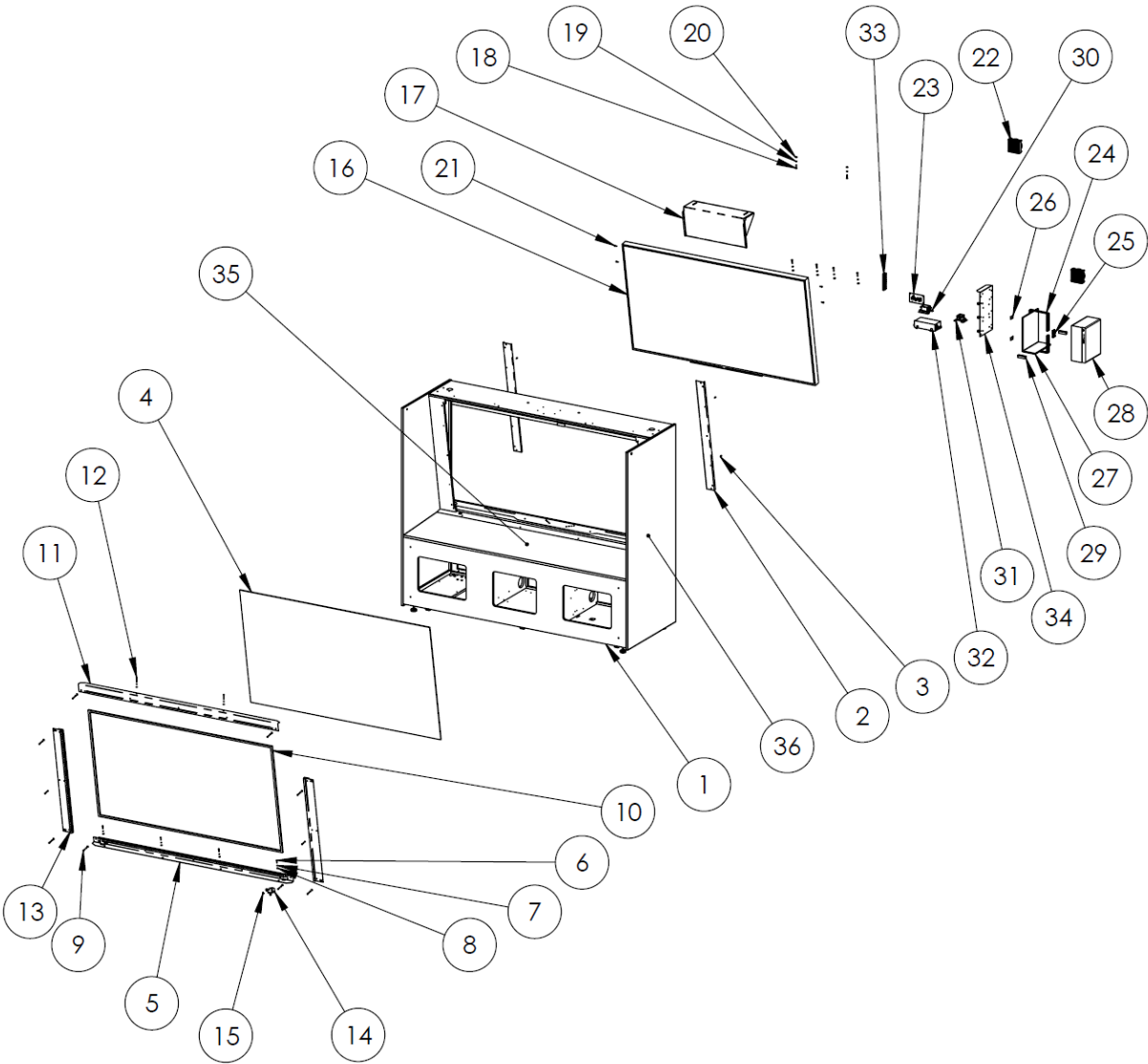


Stranger Things Arcade

Game Assembly Parts Table

ITEM NO.	PART NUMBER	DESCRIPTION	QTY.
1	STA-Monitor_Cabinet_Sub-Assembly	Monitor Cabinet Sub-Assembly	1
2	STA-Mid_Cabinet_Sub-Assembly	Mid Cabinet Sub-Assembly	1
3	STA-Front_Cabinet_Sub-Assembly	Front Cabinet Sub-Assembly	1
4	McMaster-Carr - 91257A548	Zinc Yellow-Chromate Plated Hex Head Screw, Grade 8 Steel, 1/4"-20 Thread, 1-3/4" Long, Partially Threaded	8
5	McMaster-Carr - 91102A750	Zinc-Plated Steel Split Lock Washer for 1/4" Screw Size, 0.26" ID, 0.487" OD	20
6	McMaster-Carr - 90108A413	Zinc-Plated Steel USS Washer for 1/4" Screw Size, 0.312" ID, 0.750" OD	8
7	STA-Right_Blocker_Speaker_Sub-Assy	Right Blocker Speaker Sub-Assembly	1
8	STA-Left_Blocker_Speaker_Sub-Assy	Left Blocker Speaker Sub-Assembly	1
9	McMaster-Carr - 92865A544	Medium-Strength Grade 5 Steel Hex Head Screw, Zinc-Plated, 1/4"-20 Thread Size, 1-1/4" Long, Fully Threaded	4
10	McMaster-Carr - 90126A029	Zinc-Plated Steel SAE Washer for 1/4" Screw Size, 0.281" ID, 0.625" OD	10
11	RAP-167	Vertical Support Tube	2
12	McMaster-Carr - 92865A549	Medium-Strength Grade 5 Steel Hex Head Screw, Zinc-Plated, 1/4"-20 Thread Size, 2" Long, Fully Threaded	4
13	RAP-168	Horizontal Cross Tube	1
14	Partec-31-BB250-03-006	Black Oxide Type BB Partial Threaded Alloy Steel Bolt, Hex Drive, 1/4"-20 Thread Size, 2-23/64" Long	2
15	STA-Roof_Right_Side_Channel_Sub-Assembly	Roof Right Channel Sub-Assembly	1
16	STA-Roof_Left_Side_Channel_Sub-Assembly	Roof Left Channel Sub-Assembly	1
17	Partec-31-MS250-01-019	Grade 2 Steel Thread-Locking Hex Head Screws, 1/4"-20 Thread Size, 1/2" Long	4
18	Partec-31-BB250-03-009	Black Oxide Type BB Partial Threaded Alloy Steel Bolt, Hex Drive, 1/4"-20 Thread Size, 1-31/32" Long	2
19	Partec-31-BB250-03-010	Black Oxide Type BB Fully Threaded Alloy Steel Bolt, Hex Drive, 1/4"-20 Thread Size, 25/32" Long	21
20	STA-Roof_Center_Channel_Sub-Assembly	Roof Center Channel Sub-Assembly	1
21	McMaster-Carr - 90054A196	Flanged Hex Head Screws for Sheet Metal, Zinc-Plated Steel, Number 8 Size, 5/8" Long	4
22	R4-1099	Above Monitor Blocker Panel	1
23	Partec-31-TP250-03-012	Black Oxide Alloy Steel Tamper-Resistant Button Head Torx Screws, 1/4"-20 Thread, 1/2" Long, Thread-Locking Patch	16
24	McMaster-Carr - 90377A159	Black-Oxide 18-8 Stainless Steel Washer Oversized, 1/4" Screw Size, 0.266" ID, 1.5" OD	16
25	R4-1100	Roof Panel	2
26	McMaster-Carr - 91798A115	Black-Oxide 18-8 Stainless Steel Flanged Hex Head Screw, 1/4"-20 Thread Size, 3/4" Long	8
27	RAP-166	Side Panel Mending Plate	2
28	STA-Right_Mid_Side_Sub-Assembly	Decaled Right Mid Panel	1
29	STA-Left_Mid_Side_Sub-Assembly	Decaled Left Mid Panel	1
30	Partec-31-BB250-03-001	Black Oxide Type BB Partial Threaded Alloy Steel Bolt, Hex Drive, 1/4"-20 Thread Size, 1-3/4" Long	26
31	STA-Right_Front_Side_Sub-Assembly	Decaled Right Front Panel Assembly	1
32	STA-Left_Front_Side_Sub-Assembly	Decaled Left Front Panel Assembly	1
33	STA-Marquee_Sub-Assembly	Marquee Sub-Assembly	1
34	Partec-31-BB250-03-007	Black Oxide Type BB Partial Threaded Alloy Steel Bolt, Hex Drive, 1/4"-20 Thread Size, 2-3/4" Long	4
35	STA-Right_Upper_Side_Sub-Assembly	Decaled Right Upper Panel	1
36	STA-Left_Upper_Side_Sub-Assembly	Decaled Left Upper Panel	1
37	Partec-31-BB250-03-004	Black Oxide Type BB Partial Threaded Alloy Steel Bolt, Hex Drive, 1/4"-20 Thread Size, 1-3/8" Long	14
38	R4-1101	Rear Roof Access Panel	1
39	STA-Lower_Back_Door_Sub-Assy	Lower Back Door Sub-Assembly	1
40	STA-Uppper_Back_Door_Sub-Assy	Upper Back Door Sub-Assembly	1
41	McMaster-Carr - 90190A201	Phillips Rounded Head Screws for Sheet Metal, Zinc-Plated Steel, Number 8 Size, 1-1/4" Long	10

Monitor Cabinet Exploded Drawing



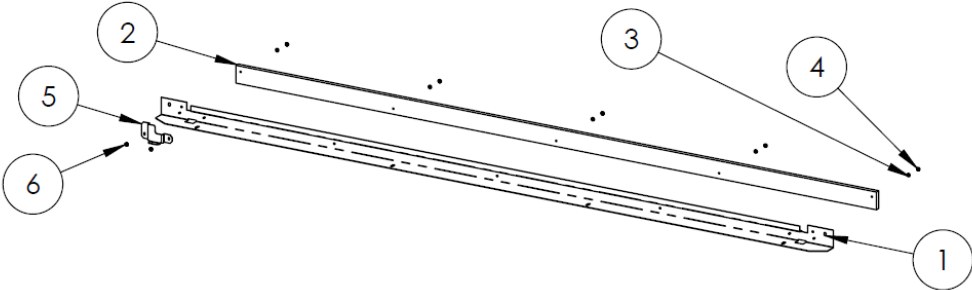
Stranger Things Arcade

Monitor Cabinet Parts Table

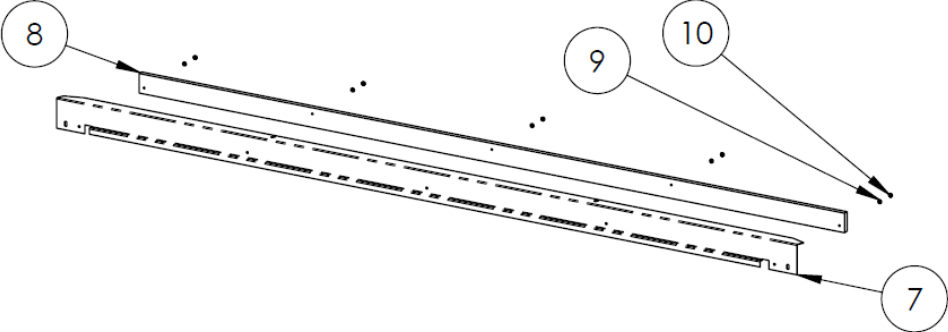
ITEM NO.	PART NUMBER	DESCRIPTION	QTY.
1	R90-23-110	Monitor Cabinet	1
2	R1-1421	Monitor Glass Side Brace	2
3	McMaster-Carr - 90054A196	Flanged Hex Head Screws for Sheet Metal, Zinc-Plated Steel, Number 8 Size, 5/8" Long	4
4	R22-6	Monitor Glass	1
5	STA-Monitor_Frame_Base_Sub-Assy	Monitor Frame Base Sub-Assembly	1
6	McMaster-Carr - 96075A195	Black Oxide Alloy Steel Tamper-Resistant Button Head Torx Screws, 10-32 Thread, 1" Long	4
7	McMaster-Carr - 92146A619	18-8 Stainless Steel Split Lock Washer, Black Oxide, for Number 10 Screw Size, 0.200" ID, 0.334" OD	16
8	McMaster-Carr - 97416A115	Black-Oxide Steel SAE Washer for Number 10 Screw Size, 0.219" ID, 0.5" OD	14
9	Partec-31-TP010-03-001	Black Oxide Alloy Steel Tamper-Resistant Button Head Torx Screws, 10-32 Thread Size, 1-1/4" Long	10
10	R90-19-39	86" IR Touch Screen Frame	1
11	STA-Monitor_Frame_Top_Sub-Assy	Monitor Frame Top Sub-Assembly	1
12	Partec-31-TP010-03-015	Black Oxide Alloy Steel Tamper-Resistant Button Head Torx Screws, 10-32 Thread Size, 1-3/4" Long	2
13	STA-Monitor_Frame_Side_Sub-Assy	Monitor Frame Side Sub-Assembly	2
14	R1-1428	Monitor Frame Right Wire Bracket	1
15	McMaster-Carr - 94407A101	18-8 Stainless Steel Nylon-Insert Locknut, Black-Oxide, 6-32 Thread Size	2
16	STA-120V-Monitor_Sub-Assy	Monitor Sub-Assembly (LG 86")	1
17	RAP-165	Upper VESA Mount Weldment	1
18	McMaster-Carr - 92865A544	Medium-Strength Grade 5 Steel Hex Head Screw, Zinc-Plated, 1/4"-20 Thread Size, 1-1/4" Long, Fully Threaded	6
19	McMaster-Carr - 91102A750	Zinc-Plated Steel Split Lock Washer for 1/4" Screw Size, 0.26" ID, 0.487" OD	6
20	McMaster-Carr - 90126A029	Zinc-Plated Steel SAE Washer for 1/4" Screw Size, 0.281" ID, 0.625" OD	6
21	McMaster-Carr - 90316A831	Flanged Hex Head Screws with Slotted Drive, 18-8 Stainless Steel, 10-32 Thread Size, 3/4" Long	4
22	STA-Fan_Sub-Assy	1 Fan (810-00046-01) and 2 Grills (800-00001-00)	2
23	STA-AC_Inlet_Plate_Sub-Assy	AC Power Plate Sub-Assembly	1
24	McMaster-Carr - 87425K76 (56in)	Nylon Fabric Strip, Black, 1" Wide, .08" Thick, 56" Long	1
25	McMaster-Carr - 29705T86	Plastic Buckle, Black, Squeeze-Release, NO-Sew for 1" Webbing	1
26	600-00891-01	Securing Nylon Strap Plate	2
27	Partec - 7-195	7x6x.75 Foam Sponge	1
28	R90-AP-8	Lenovo M70t PC (Requires R90-19-20 - RTX3050 Video Card)	1
29	R90-4-66	Plastic PC Cleat	2
30	STA-Power_Line_Filter_Sub-Assy	Power Line Filter Sub-Assembly	1
31	STA-Solid_State_Relay_Sub-Assy	Solid State Relay Sub-Assembly	1
32	330-00003-01	HRP-600-12: 600W, 12V Dual Voltage Power Supply (Requires 2X Partec - 1-2328 - Mounting Brackets)	1
33	STA-Fuse_Block_Cable	Fuse Block Cable (12 Position - uses 8-111: 5A Fast Acting Fuse)	1
34	STA-PCB_Plate_Sub-Assy	Electronics PCB Plate Sub-Assembly	1
35	R4-1107	Monitor Ramp Top Cap	1
36	R90-13-347	Rear Right Side Decal	1
37	R90-13-348	Rear Left Side Decal	1

Monitor Frame (Base/Top/Side) Exploded Drawings

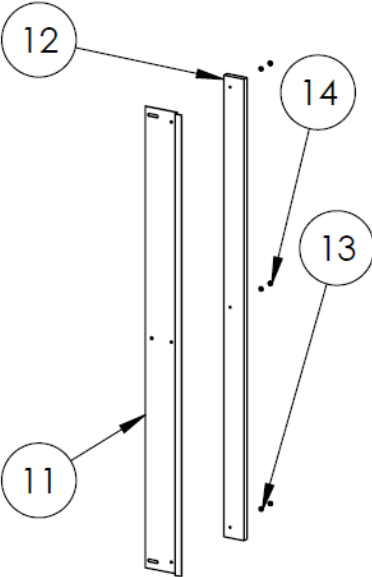
Base



Top



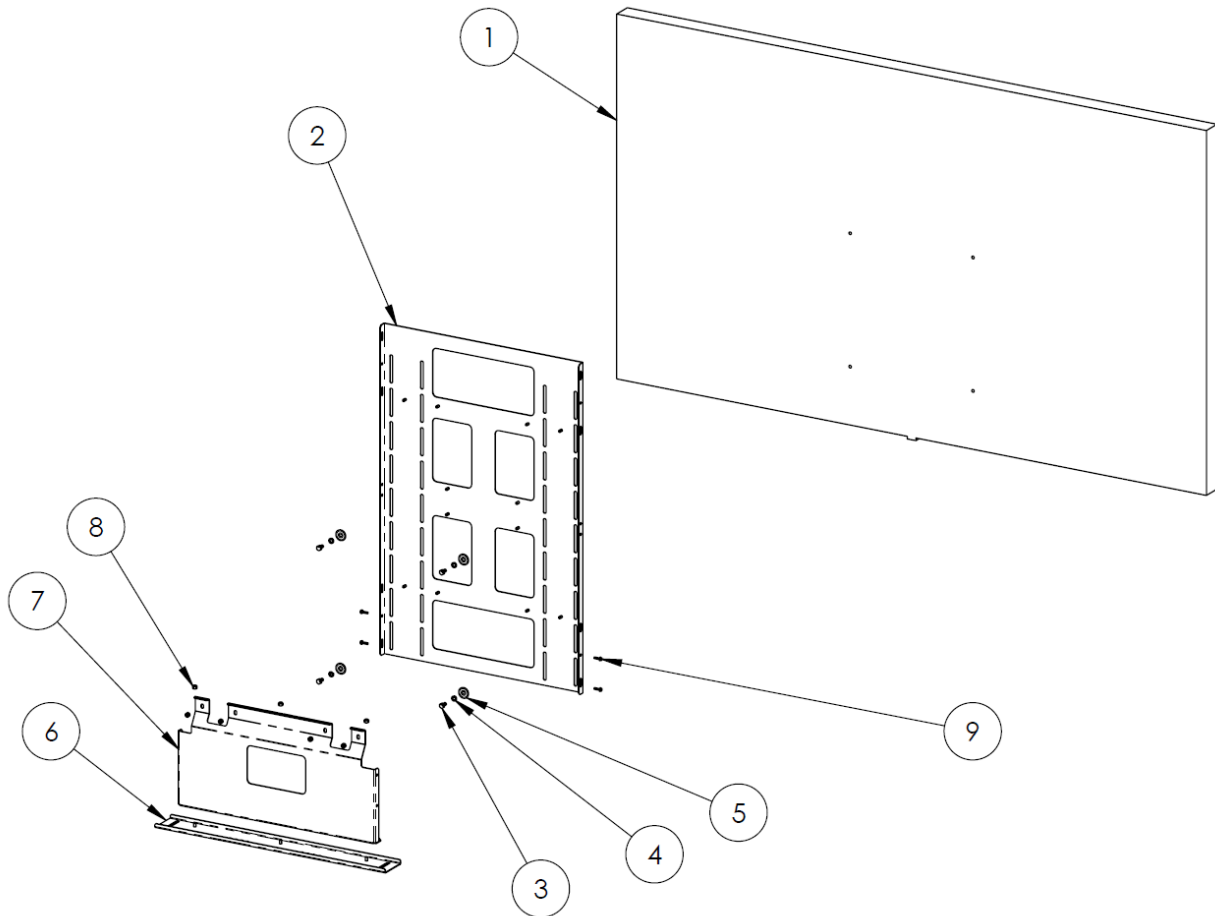
Side



Monitor Frame (Base/Top/Side) Parts Table

ITEM NO.	PART NUMBER	DESCRIPTION	QTY.
1	R1-1422	Monitor Frame Base Bracket	1
2	R4-1089	Long Rigid ABS Bar	1
3	McMaster-Carr - 97416A111	Black-Oxide Steel SAE Washer for Number 6 Screw Size, 0.156" ID, 0.375" OD	5
4	McMaster-Carr - 90675A007	Steel Locknut with External-Tooth Lock Washer, Zinc-Plated, 6-32 Thread Size, 5/16" Wide	5
5	R1-1429	Monitor Frame Left Wire Bracket	1
6	McMaster-Carr - 94407A101	18-8 Stainless Steel Nylon-Insert Locknut, Black-Oxide, 6-32 Thread Size	2

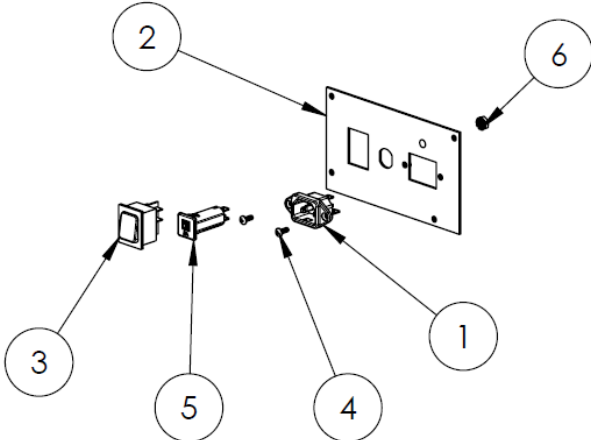
Monitor (LG 86") Exploded Drawings w/Parts Table



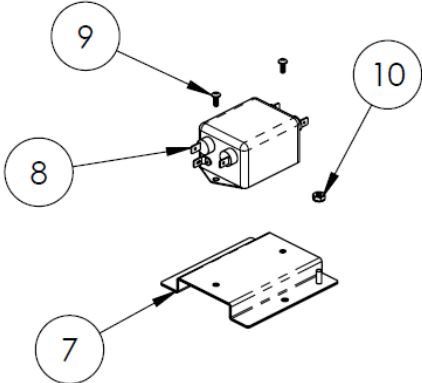
ITEM NO.	PART NUMBER	DESCRIPTION	QTY.
1	R90-AP-64	LG 86" PK TV - 4K UHD, 120V	1
2	R1-1431	Main VESA Bracket	1
3	McMaster-Carr - 91280A526	Medium-Strength Class 8.8 Steel Hex Head Screw, Zinc-Plated, M8 x 1.25 mm Thread Size, 16 mm Long	4
4	McMaster-Carr - 91102A755	Zinc-Plated Steel Split Lock Washer for 5/16" Screw Size, 0.322" ID, 0.583" OD	4
5	McMaster-Carr - 90377A164	Black-Oxide 18-8 Stainless Steel Washer, Oversized, for 5/16" Screw Size, 0.344" ID, 1.250" OD	4
6	R1-1432	Base VESA Bracket	1
7	R1-1433	Lower VESA Support Bracket	1
8	McMaster-Carr - 95615A120	Medium-Strength Steel Nylon-Insert Locknut, Grade 5, Zinc-Plated, 1/4"-20 Thread Size	7
9	McMaster-Carr - 90316A831	Flanged Hex Head Screws with Slotted Drive, 18-8 Stainless Steel, 10-32 Thread Size, 3/4" Long	4
FOR WORLDWIDE GAMES (120V/230V)			
1*	R90-AP-68	LG 86" UL TV, 4K UHD, 120/230V	1

AC Power Plate/Power Line Filter/Solid State Relay Exploded Drawings

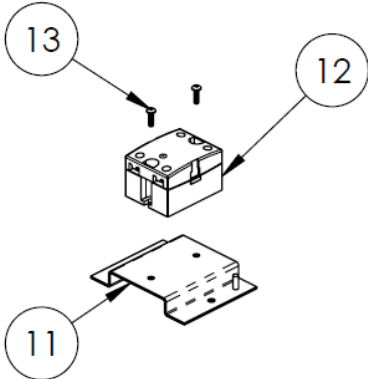
AC Power Plate



Power Line Filter



Solid State Relay



AC Power Plate/Power Line Filter/Solid State Relay Parts Table

AC Power Plate

ITEM NO.	PART NUMBER	DESCRIPTION	QTY.
1	Qualtek - 703W-00/08	AC Receptacle: 250V, 15A	1
2	600-01681-01	AC Electronics Plate	1
3	Marquardt - 1832.3312	Rocker Switch: DPST, 16A 125VAC / 8A 250VAC	1
4	McMaster-Carr - 90272A146	Zinc-Plated Steel Pan Head Phillips Screw, 6-32 Thread, 3/8" Long	2
5	Schurter - T9-611P-A	Thermal Circuit Breaker: 240VAC, 48VDC, 6A Fuseholder, 1 Pole, Snap-in	1
6	McMaster-Carr - 90675A195	Steel Locknut with External-Tooth Lock Washer, Zinc-Plated, 10-32 Thread Size	1

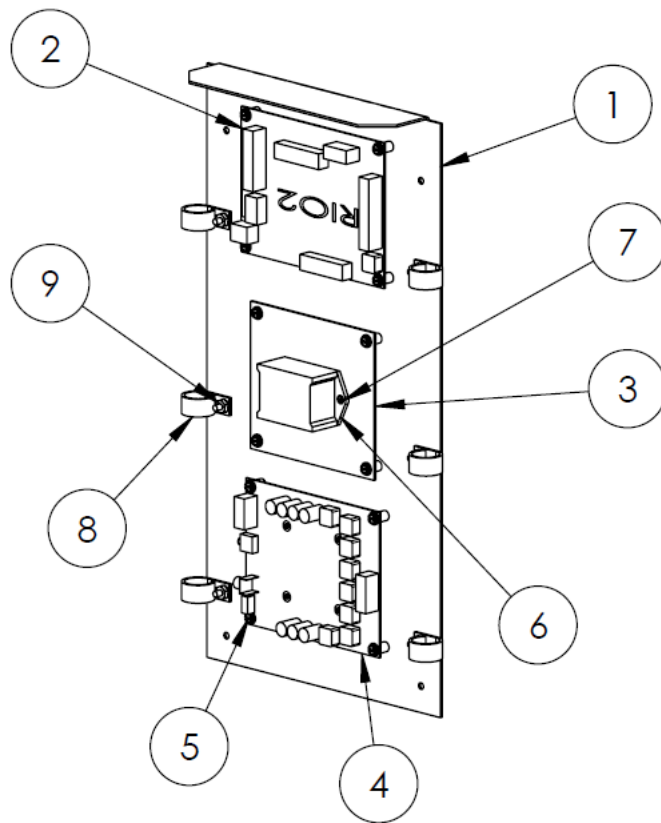
Power Line Filter

ITEM NO.	PART NUMBER	DESCRIPTION	QTY.
7	600-03206-01	AC Line Filter Bracket	1
8	442-00001-01	Power Line Filter (Corcom 6MV1)	1
9	McMaster-Carr - 90272A146	Zinc-Plated Steel Pan Head Phillips Screw, 6-32 Thread, 3/8" Long	2
10	McMaster-Carr - 90675A009	Steel Locknut with External-Tooth Lock Washer, Zinc-Plated, 8-32 Thread Size, 11/32" Wide	1

Solid State Relay

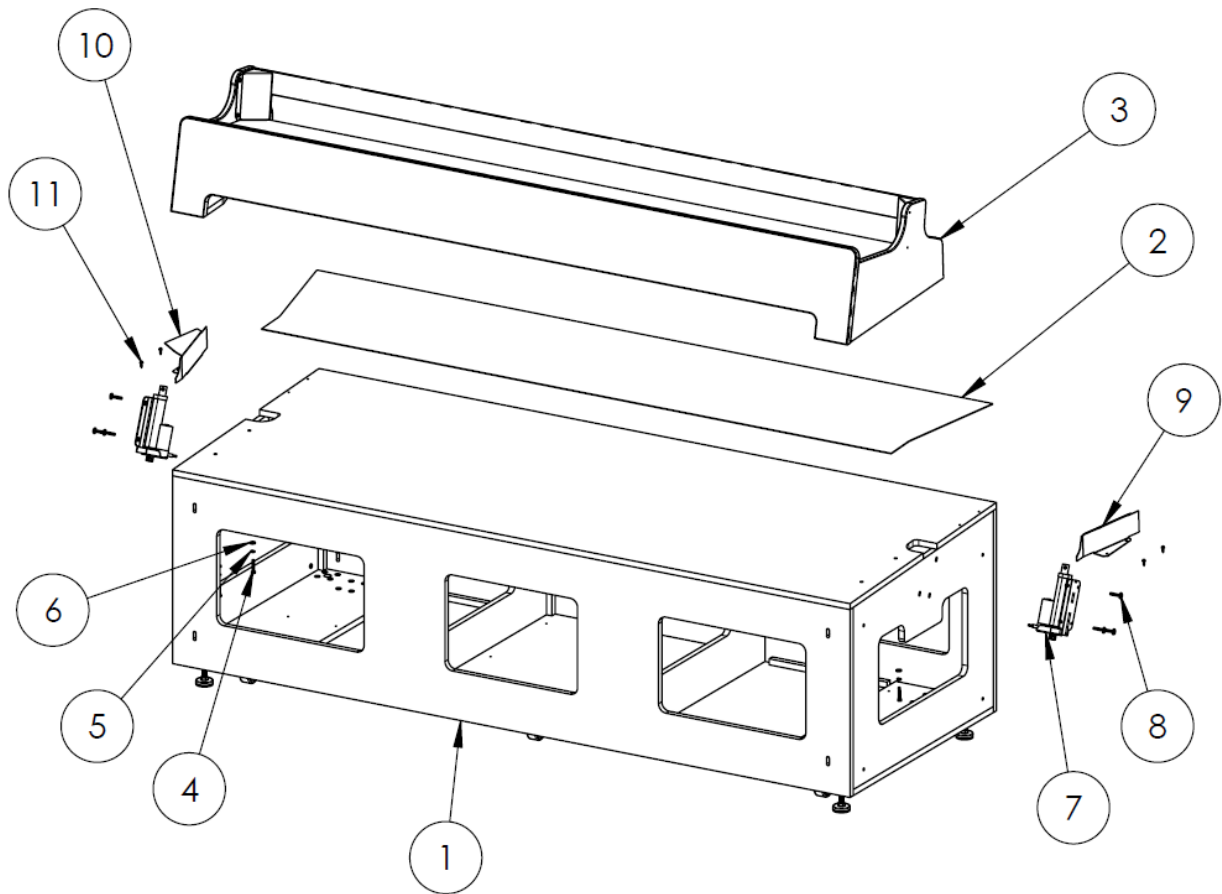
ITEM NO.	PART NUMBER	DESCRIPTION	QTY.
11	600-03119-01	Solid State Relay Bracket	1
12	800-00079-01	Crouzet 84137910N, 25A Solid State Relay	1
13	McMaster-Carr - 90272A148	Zinc-Plated Steel Pan Head Phillips Screw, 6-32 Thread, 1/2" Long	2

Electronics PCB Plate Exploded Drawings w/Parts Table



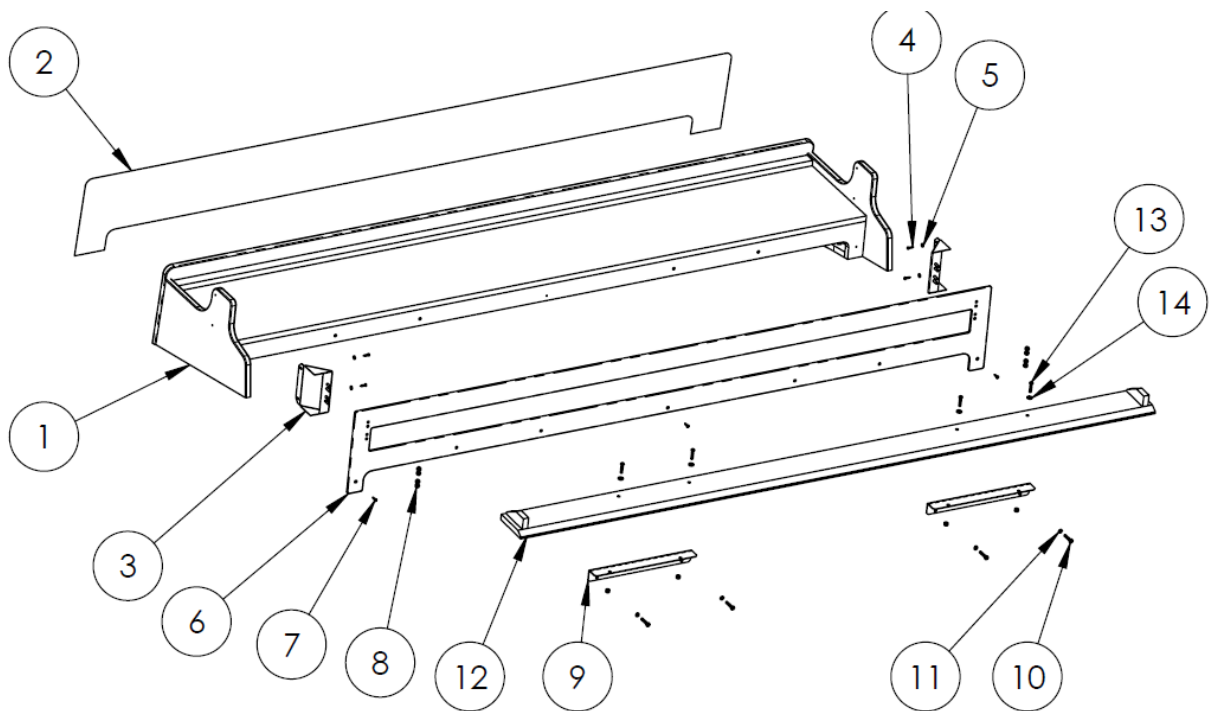
ITEM NO.	PART NUMBER	DESCRIPTION	QTY.
1	600-03274-01	RIO2 Hardware Mounting Plate	1
2	500-00199-05	RIO2 PCB	1
3	R1-1444	Motor Relay Module Plate	1
4	500-00212-03	RIO2 Audio Amplifier PCB	1
5	McMaster-Carr - 90316A192	Stainless Steel Flanged Hex Head Screws with Slotted Drive, 8-32 Thread Size, 3/8" Long	12
6	CR-197	12V/10A Motor Relay Cable	1
7	McMaster-Carr - 90273A106	Zinc-Plated Steel Phillips Flat Head Screw, 82 Degree Countersink Angle, 4-40 Thread Size, 1/4" Long	2
8	AEH - 04-12-750	Wire Harness Clip (for 3/4" Bundle Diameter)	6
9	McMaster-Carr - 90675A009	Steel Locknut with External-Tooth Lock Washer, Zinc-Plated, 8-32 Thread Size, 11/32" Wide	6

Mid Cabinet Exploded Drawings w/Parts Table



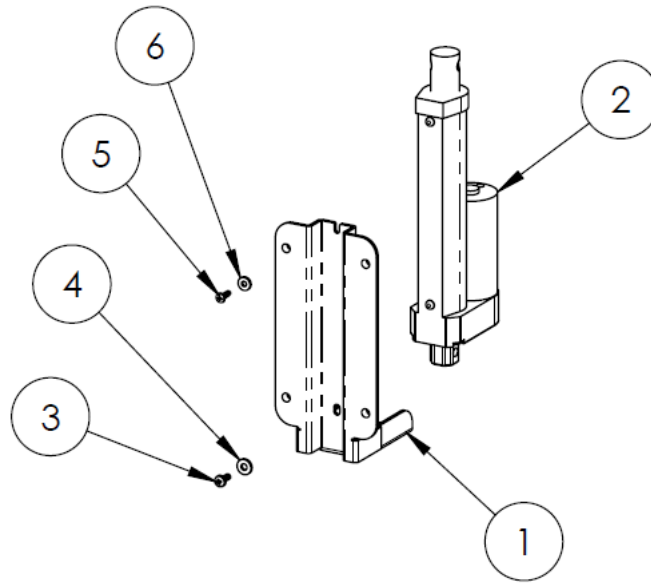
ITEM NO.	PART NUMBER	DESCRIPTION	QTY.
1	R90-23-111	Mid Cabinet	1
2	R4-1108	Mid Ramp Top Cap	1
3	STA-Deflector_Cabinet_Sub-Assembly	Deflector Cabinet Sub-Assembly	1
4	McMaster-Carr - 92865A546	Medium-Strength Grade 5 Steel Hex Head Screw, Zinc-Plated, 1/4"-20 Thread Size, 1-1/2" Long, Fully Threaded	4
5	McMaster-Carr - 91102A750	Zinc-Plated Steel Split Lock Washer for 1/4" Screw Size, 0.26" ID, 0.487" OD	4
6	McMaster-Carr - 90126A029	Zinc-Plated Steel SAE Washer for 1/4" Screw Size, 0.281" ID, 0.625" OD	4
7	STA-Actuator_Sub-Assy	Actuator Sub-Assembly	2
8	Partec-31-BB250-03-004	Black Oxide Type BB Partial Threaded Alloy Steel Bolt, Hex Drive, 1/4"-20 Thread Size, 1-3/8" Long	6
9	R1-1501	Right Ramp Deflector Bracket	1
10	R1-1502	Left Ramp Deflector Bracket	1
11	McMaster-Carr - 90054A196	Flanged Hex Head Screws for Sheet Metal, Zinc-Plated Steel, Number 8 Size, 5/8" Long	4

Deflector Cabinet Exploded Drawings w/Parts Table



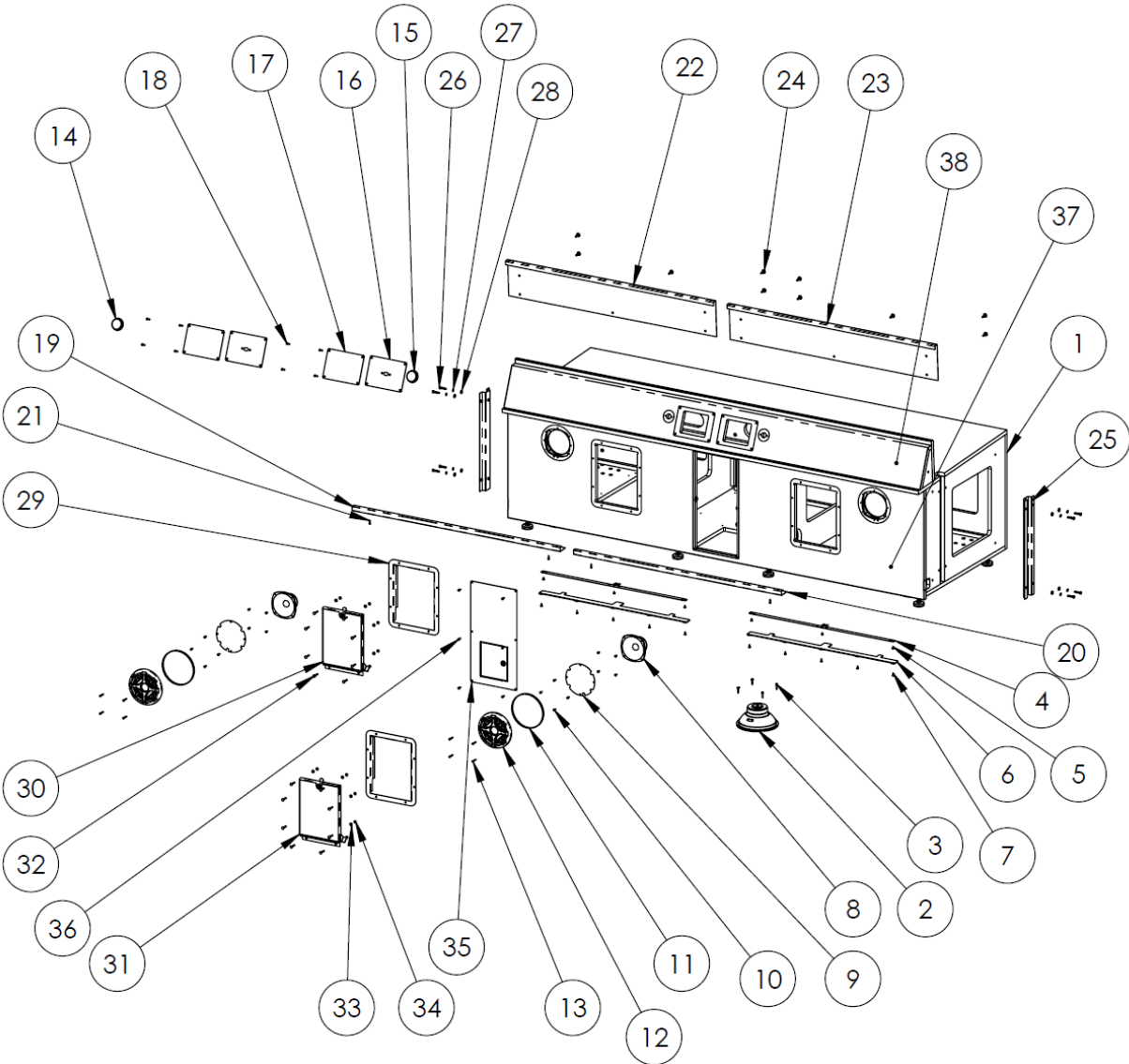
ITEM NO.	PART NUMBER	DESCRIPTION	QTY.
1	R90-23-113	Deflector Cabinet	1
2	R90-13-359	Deflector Front Decal	1
3	R1-1439	Rear Deflector Side Bracket	2
4	Partec-31-TP008-03-003	Tamper-Resistant Torx Rounded Head Screws for Sheet Metal, Black Oxide Steel, Number 8 Size, 3/4" Long	4
5	McMaster-Carr - 97416A113	Black-Oxide Steel SAE Washer for Number 8 Screw Size, 0.188" ID, 0.438" OD	4
6	R4-1092	Rear Deflector Lens	1
7	McMaster-Carr - 90033A210	Black-Oxide Steel Phillips Flat Head Screws for Sheet Metal, Number 8 Size, 3/4" Long	3
8	McMaster-Carr - 95615A101	Medium-Strength Steel Nylon-Insert Locknut, Grade 5, Black-Oxide, 1/4"-20 Thread Size	12
9	RAP-171	Ball Gate Hinge	2
10	McMaster-Carr - 92865A546	Medium-Strength Grade 5 Steel Hex Head Screw, Zinc-Plated, 1/4"-20 Thread Size, 1-1/2" Long, Fully Threaded	4
11	McMaster-Carr - 91102A750	Zinc-Plated Steel Split Lock Washer for 1/4" Screw Size, 0.26" ID, 0.487" OD	4
12	R90-23-123	Ball Gate Panel	1
13	Partec-31-TP250-03-001	Black Oxide Alloy Steel Tamper-Resistant Button Head Torx Screws, 1/4"-20 Thread Size, 1-1/4" Long	4
14	McMaster-Carr - 97416A119	Black-Oxide Steel SAE Washer for 1/4" Screw Size, 0.281" ID, 0.625" OD	4

Actuator Exploded Drawings w/Parts Table



ITEM NO.	PART NUMBER	DESCRIPTION	QTY.
1	R1-1441	Linear Actuator Bracket	1
2	CR-187	Linear Actuator, 12V, 4" Travel	1
3	McMaster-Carr - 95836A337	Black-Oxide 18-8 Stainless Steel Pan Head Phillips Screws, M4 x 0.70 mm Thread, 10mm Long	1
4	McMaster-Carr - 90126A512	Zinc-Plated Steel SAE Washer for Number 8 Screw Size, 0.188" ID, 0.438" OD	1
5	McMaster-Carr - 90190A148	Phillips Rounded Head Screws for Sheet Metal, Zinc-Plated Steel, Number 6 Size, 1/2" Long	1
6	McMaster-Carr - 97416A111	Black-Oxide Steel SAE Washer for Number 6 Screw Size, 0.156" ID, 0.375" OD	1

Front Cabinet Exploded Drawing



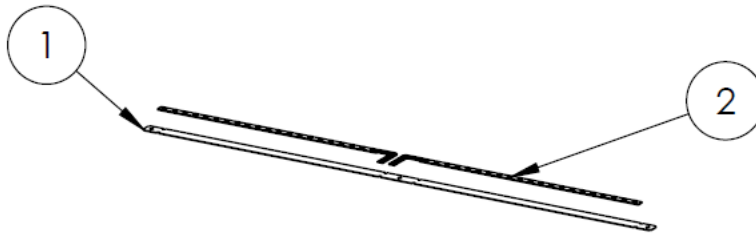
Stranger Things Arcade

Front Cabinet Parts Table

ITEM NO.	PART NUMBER	DESCRIPTION	QTY.
1	R90-23-112	Front Cabinet	1
2	2-1-18-00-00-000	Goldwood: 8" Woofer, 4 Ohm, Poly-Mica Cone	1
3	McMaster-Carr - 90054A199	Zinc-Plated Steel Flanged Hex Head Screws for Sheet Metal, Number 8 Size, 1" Long	4
4	STA-Front_Panel_LED_Sub-Assy	Front Panel LED Sub-Assembly	2
5	McMaster-Carr - 90190A192	Phillips Rounded Head Screws for Sheet Metal, Zinc-Plated Steel, Number 8 Size, 3/8" Long	6
6	R4-1098	Front Panel LED Lens	2
7	McMaster-Carr - 90935A194	Phillips Rounded Head Screws for Sheet Metal, Black-Oxide Steel, Number 8 Size, 1/2" Long	18
8	2-1-10-00-00-000	Goldwood: 5.25" Speaker, 8 Ohm, Full Range	2
9	R1-1075	Speaker Screen	2
10	McMaster-Carr - 90054A196	Flanged Hex Head Screws for Sheet Metal, Zinc-Plated Steel, Number 8 Size, 5/8" Long	8
11	CA-4757	Waterproof RGB with Foam Tape: 500-00245-01 (55CM)	2
12	603-00890-01	Chrome Speaker Cover	2
13	Partec-31-TP008-03-002	Tamper-Resistant Torx Rounded Head Screws for Sheet Metal, Black Oxide Steel, Number 8 Size, 1-1/4" Long	8
14	R90-AP-48-BLU	Large Round BLUE Blank Legend Illuminated Pushbutton (.187 Gold SW, 6V White LED)	1
15	R90-AP-48-RED	Large Round RED Blank Legend Illuminated Pushbutton (.187 Gold SW, 6V White LED)	1
16	R1-1427	D&B Card Reader Mounting Plate	2
17	R1-1485	Card Reader Blank Plate	2
18	McMaster-Carr - 96075A195	Black Oxide Alloy Steel Tamper-Resistant Button Head Torx Screws, 10-32 Thread, 1" Long	8
19	R1-1436	CP Front Bracket BLU	1
20	R1-1437	CP Front Bracket RED	1
21	Partec-31-TP008-03-003	Tamper-Resistant Torx Rounded Head Screws for Sheet Metal, Black Oxide Steel, Number 8 Size, 3/4" Long	4
22	R1-1434	CP Cross Bracket BLU	1
23	R1-1435	CP Cross Bracket RED	1
24	Partec-31-BB250-03-005	Black Oxide Type BB Fully Threaded Alloy Steel Bolt, Hex Drive, 1/4"-20 Thread Size, 1" Long	10
25	R1-1438	Front Side Vertical Tube Support	2
26	McMaster-Carr - 92865A544	Medium-Strength Grade 5 Steel Hex Head Screw, Zinc-Plated, 1/4"-20 Thread Size, 1-1/4" Long, Fully Threaded	8
27	McMaster-Carr - 91102A750	Zinc-Plated Steel Split Lock Washer for 1/4" Screw Size, 0.26" ID, 0.487" OD	8
28	McMaster-Carr - 90126A029	Zinc-Plated Steel SAE Washer for 1/4" Screw Size, 0.281" ID, 0.625" OD	8
29	R1-1430	Front Access Door Frame Plate	2
30	STA-Front_Access_Door_Sub-Assy_BLUE	BLUE Front Access Door Sub-Assy	1
31	STA-Front_Access_Door_Sub-Assy_RED	RED Front Access Door Sub-Assy	1
32	Partec-31-CB010-03-002	Black Oxide Alloy Steel Square-Neck Carriage Bolt, Low-Strength, 10-24 Thread Size, 1-1/4" Long	16
33	McMaster-Carr - 91090A103	Zinc-Plated Steel Washers, Undersized, for Number 10 Screw Size, 0.500" OD	16
34	McMaster-Carr - 90675A011	Steel Locknut with External-Tooth Lock Washer, Zinc-Plated, 10-24 Thread Size	16
35	AS-3973	Cashless Mid-Width Blank Door Assembly	1
36	Partec-31-TP010-03-006	Tamper-Resistant Torx Rounded Head Screws for Sheet Metal, Black Oxide Steel, Number 10 Size, 3/4" Long	6
37	R90-13-355	Front Panel Decal	1
38	R90-13-358	Control Panel Decal	1

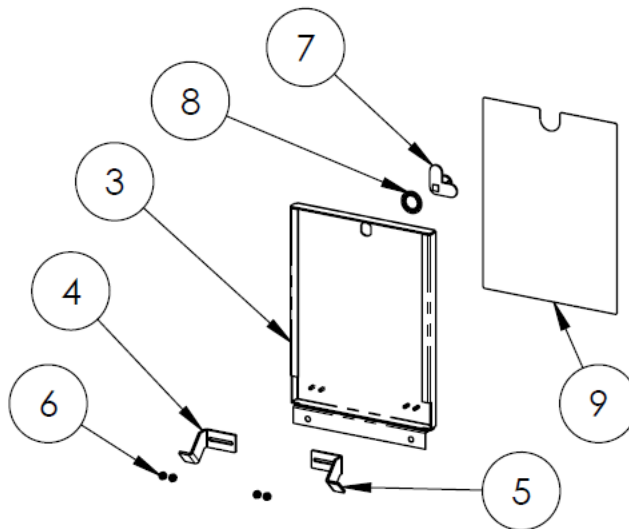
Front Panel LED/BLUE Front Access Door Exploded Drawings w/Parts Table

Front Panel LED



ITEM NO.	PART NUMBER	DESCRIPTION	QTY.
1	R1-1463	Front Panel LED Plate	1
2	CR-71	RGB Flexible LED Tape, w/ FOAM: 500-00184-01 (35 CM)	2

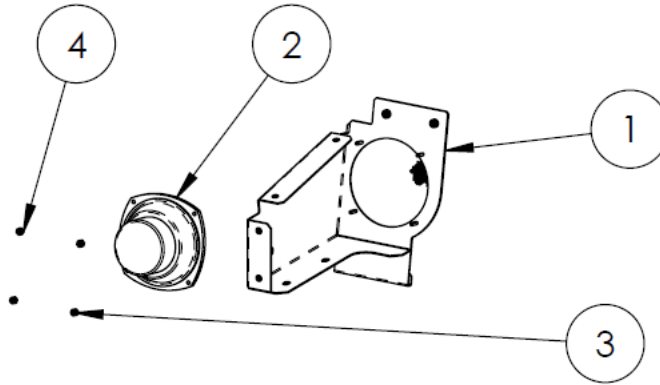
BLUE Front Access Door



ITEM NO.	PART NUMBER	DESCRIPTION	QTY.
3	RAP-164	Front Access Door Weldment	1
4	600-02061-01	Card Dispenser Right Stop Bracket	1
5	600-02062-01	Card Dispenser Left Stop Bracket	1
6	McMaster-Carr - 90631A009	Low-Strength Steel Nylon-Insert Locknut, Zinc-Plated, 8-32 Thread Size	4
7	150-00001-00	Standard Door Lock Assembly (for 3/4" Panels)	1
8	McMaster-Carr - 91113A036	Zinc-Plated Steel Internal-Tooth Lock Washer for 3/4" Screw Size, 0.769" ID, 1.245" OD	1
9	R90-13-360	Blue Access Door Decal	1
RED Front Access Door Sub-Assy			
9*	R90-13-361	Red Access Door Decal	1

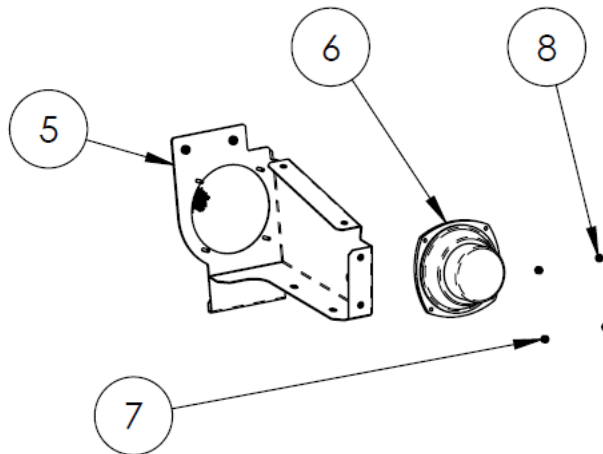
Right/Left Blocker Speaker Exploded Drawings w/Parts Table

Right Blocker Speaker



ITEM NO.	PART NUMBER	DESCRIPTION	QTY.
1	RAP-169	Right Blocker Speaker Mount	1
2	2-1-10-00-00-000	Goldwood: 5.25" Speaker, 8 Ohm, Full Range	1
3	McMaster-Carr - 90631A009	Low-Strength Steel Nylon-Insert Locknut, Zinc-Plated, 8-32 Thread Size	3
4	McMaster-Carr - 90675A009	Steel Locknut with External-Tooth Lock Washer, Zinc-Plated, 8-32 Thread Size, 11/32" Wide	1

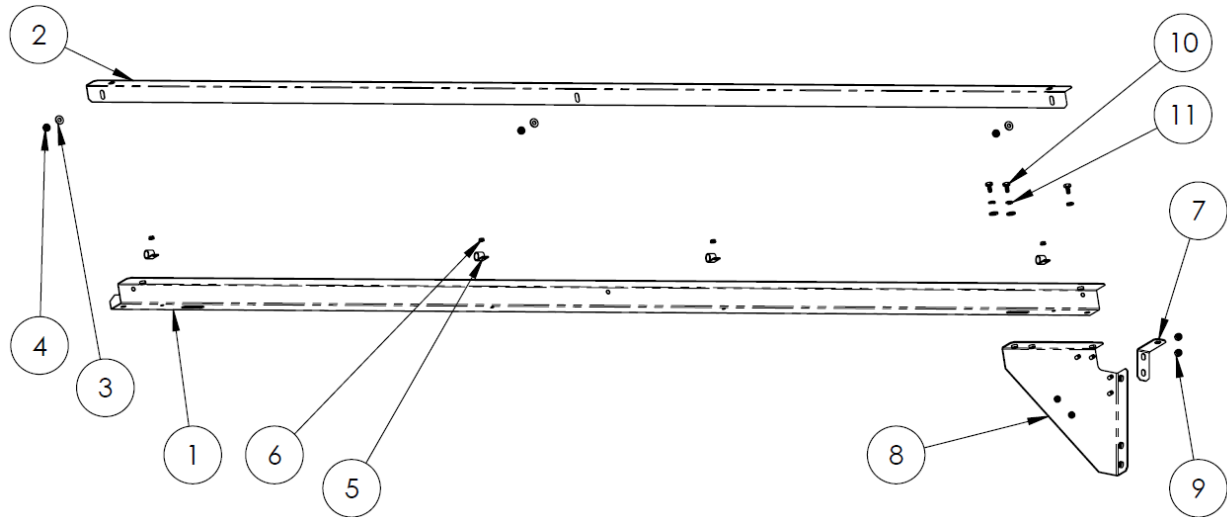
Left Blocker Speaker



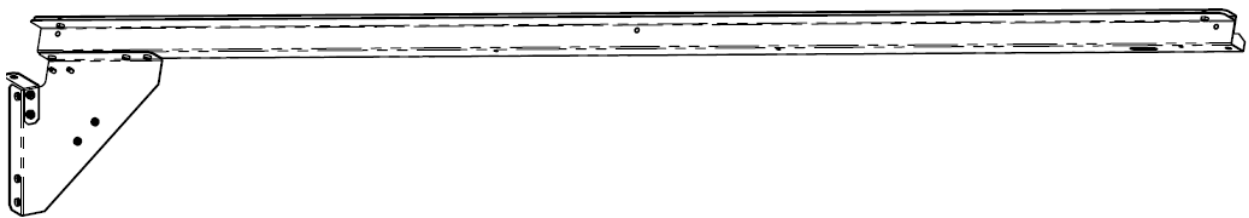
ITEM NO.	PART NUMBER	DESCRIPTION	QTY.
5	RAP-170	Left Blocker Speaker Mount	1
6	2-1-10-00-00-000	Goldwood: 5.25" Speaker, 8 Ohm, Full Range	1
7	McMaster-Carr - 90631A009	Low-Strength Steel Nylon-Insert Locknut, Zinc-Plated, 8-32 Thread Size	3
8	McMaster-Carr - 90675A009	Steel Locknut with External-Tooth Lock Washer, Zinc-Plated, 8-32 Thread Size, 11/32" Wide	1

Roof Right/Left Channel Exploded Drawings w/Parts Table

Roof Right Channel

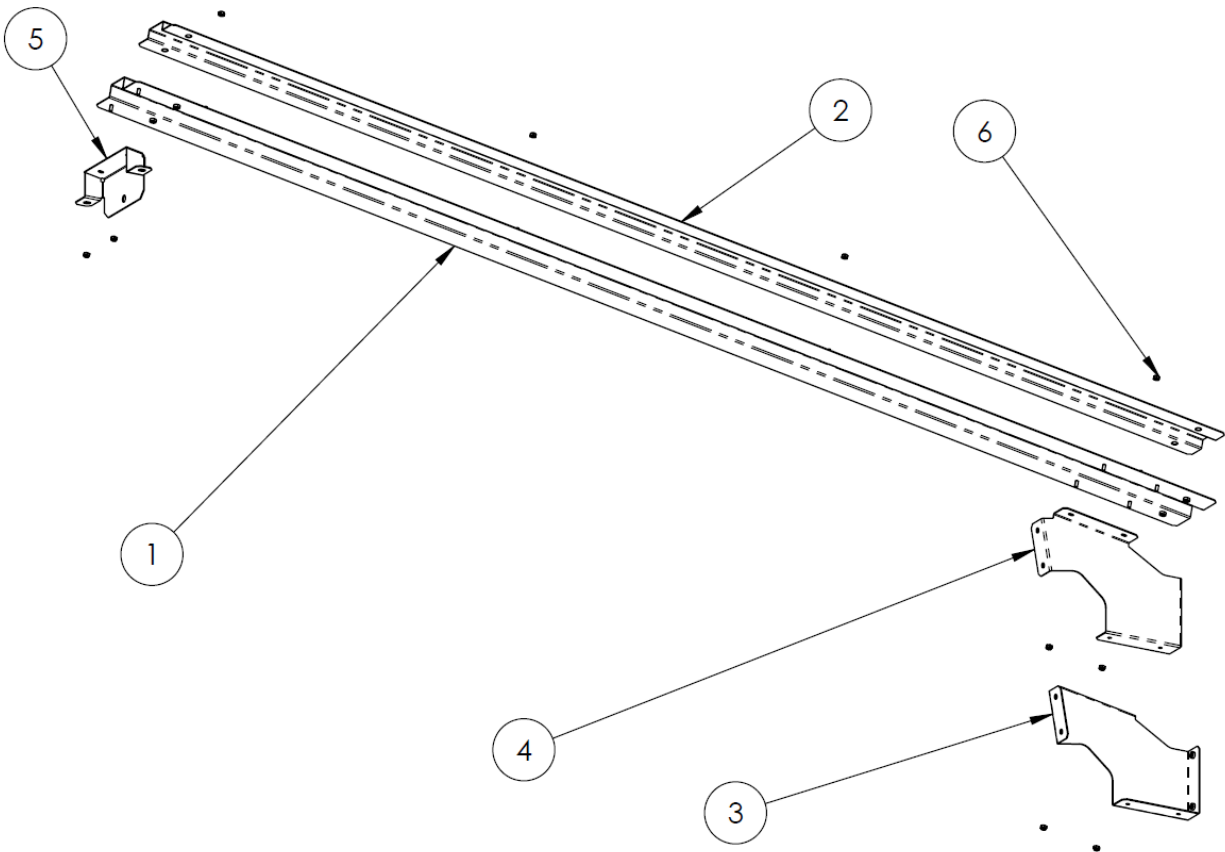


Roof Left Channel



ITEM NO.	PART NUMBER	DESCRIPTION	QTY.
1	R1-1469	Roof Side Wireway Bracket	1
2	R1-1470	Roof Side Retainer	1
3	McMaster-Carr - 90126A029	Zinc-Plated Steel SAE Washer for 1/4" Screw Size, 0.281" ID, 0.625" OD	5
4	McMaster-Carr - 90675A029	Steel Locknut with External-Tooth Lock Washer, Zinc-Plated, 1/4"-20 Thread Size	3
5	AEH - 04-12-500	Wire Harness Clip (for 1/2" Bundle Diameter)	4
6	McMaster-Carr - 90675A009	Steel Locknut with External-Tooth Lock Washer, Zinc-Plated, 8-32 Thread Size, 1 1/32" Wide	4
7	R1-1468	Cross Tube Side Bracket	1
8	R1-1442	Front Tube Roof Gusset	1
9	McMaster-Carr - 95615A101	Medium-Strength Steel Nylon-Insert Locknut, Grade 5, Black-Oxide, 1/4"-20 Thread Size	2
10	Partec-31-MS250-01-019	Grade 2 Steel Thread-Locking Hex Head Screws, 1/4"-20 Thread Size, 1/2" Long	3
11	McMaster-Carr - 91102A750	Zinc-Plated Steel Split Lock Washer for 1/4" Screw Size, 0.26" ID, 0.487" OD	3

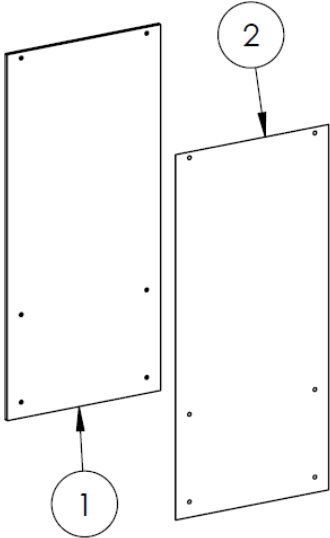
Roof Center Channel Exploded Drawings w/Parts Table



ITEM NO.	PART NUMBER	DESCRIPTION	QTY.
1	R1-1471	Roof Center Channel Base Bracket	1
2	R1-1472	Roof Center Top Retainer	1
3	R1-1473	Rear Center Channel Right Mount	1
4	R1-1474	Rear Center Channel Left Mount	1
5	R1-1475	Front Center Channel Mount	1
6	McMaster-Carr - 94407A113	18-8 Stainless Steel Nylon-Insert Locknut, Black-Oxide, 10-32 Thread Size	10

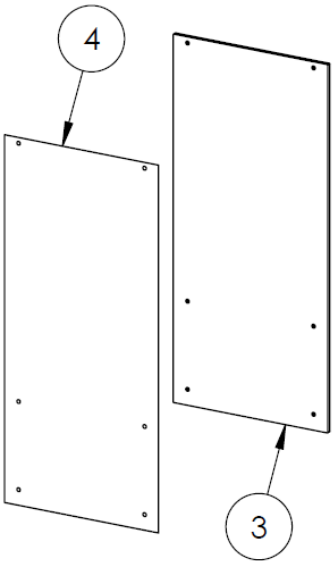
Decaled Right/Left Mid Panel Exploded Drawings w/Parts Table

Decaled Right Mid Panel



ITEM NO.	PART NUMBER	DESCRIPTION	QTY.
1	R90-23-116	Right Mid Panel	1
2	R90-13-349	Mid Right Side Decal	1

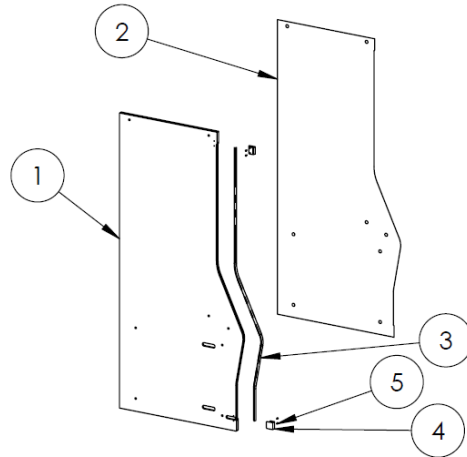
Decaled Left Mid Panel



ITEM NO.	PART NUMBER	DESCRIPTION	QTY.
3	R90-23-117	Left Mid Panel	1
4	R90-13-350	Mid Left Side Decal	1

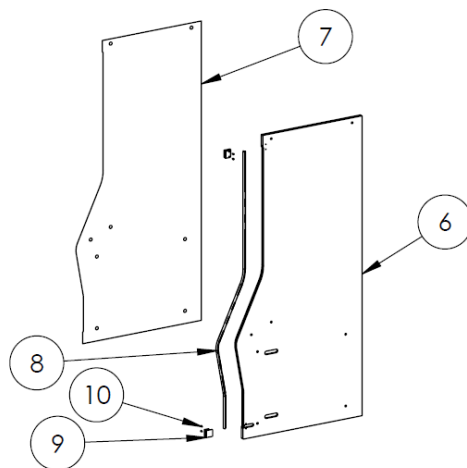
Decaled Right/Left Front Panel Exploded Drawings w/Parts Table

Decaled Right Front Panel



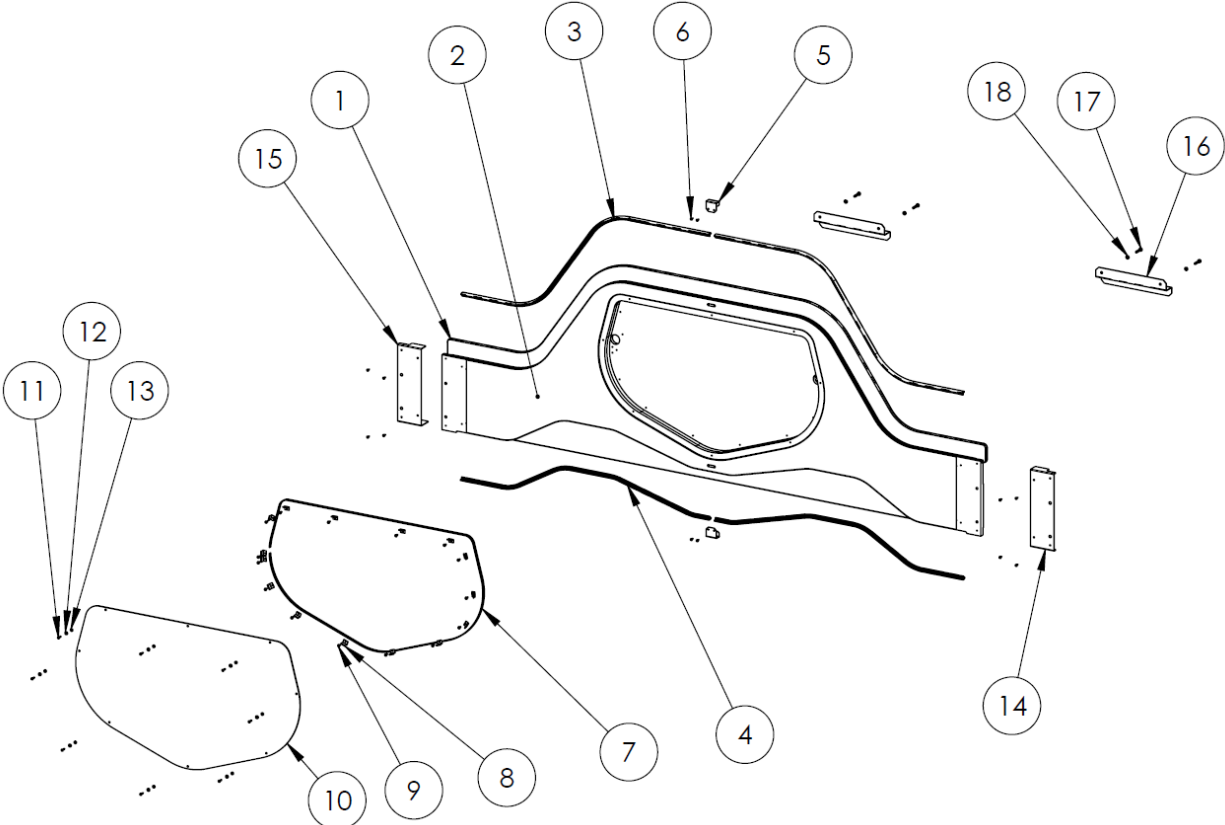
ITEM NO.	PART NUMBER	DESCRIPTION	QTY.
1	R90-23-114	Right Front Panel	1
2	R90-13-351	Front Right Side Decal	1
3	603-00718-01-Front_Side	LED T-Molding Extrusion - 70.25" (w/ CR-200: RGB, no foam, 175CM)	1
4	R1-1443	Front Cab LED T-Mold Bracket	2
5	Partec-31-TP008-03-010	Tamper-Resistant Torx Rounded Head Screws for Sheet Metal, Black Oxide Steel, Number 8 Screw Size, 1/2" Long	4

Decaled Left Front Panel



ITEM NO.	PART NUMBER	DESCRIPTION	QTY.
6	R90-23-115	STA - Left Front Panel	1
7	R90-13-352	Front Left Side Decal	1
8	603-00718-01-Front_Side	LED T-Molding Extrusion - 70.25" (w/ CR-200: RGB, no foam, 175CM)	1
9	R1-1443	Front Cab LED T-Mold Bracket	2
10	Partec-31-TP008-03-010	Tamper-Resistant Torx Rounded Head Screws for Sheet Metal, Black Oxide Steel, Number 8 Screw Size, 1/2" Long	4

Marquee Exploded Drawing



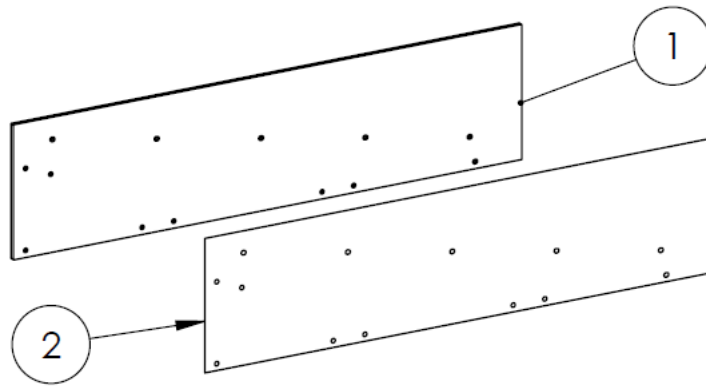
Stranger Things Arcade

Marquee Parts Table

ITEM NO.	PART NUMBER	DESCRIPTION	QTY.
1	R90-23-122	Marquee Wood Assembly	1
2	R90-13-356	Marquee Front Decal	1
3	603-00718-01- Topper_Upper_for125CM	LED T-Molding Extrusion - 49.75" (w/ CR-201: RGB, no foam, 125CM)	2
4	603-00718-01- Topper_Lower_for110CM	LED T-Molding Extrusion - 44" (w/ CA-4294: RGB, no foam, 110CM)	2
5	R1-1464	Marquee Center T-Mold Bracket	2
6	Partec-31-TP008-03-010	Tamper-Resistant Torx Rounded Head Screws for Sheet Metal, Black Oxide Steel, Number 8 Screw Size, 1/2" Long	12
7	CR-198	White Flexible LED Tape, w/ FOAM: 500-00162-01 (245 CM)	1
8	603-00763-01(0.75in)	LED Extrusion-Right Angle	15
9	McMaster-Carr - 90935A194	Phillips Rounded Head Screws for Sheet Metal, Black-Oxide Steel, Number 8 Size, 1/2" Long	15
10	R90-13-357	Marquee Logo PETG	1
11	Partec-31-TP008-03-003	Tamper-Resistant Torx Rounded Head Screws for Sheet Metal, Black Oxide Steel, Number 8 Size, 3/4" Long	8
12	McMaster-Carr - 97416A113	Black-Oxide Steel SAE Washer for Number 8 Screw Size, 0.188" ID, 0.438" OD	8
13	McMaster-Carr - 90133A013	Oil-Resistant Neoprene Rubber Sealing Washer Number 10 Screw, 0.170" ID, 0.375" OD, 0.078"-0.108" Thick	8
14	R1-1466	Marquee Right Cover Bracket	1
15	R1-1467	Marquee Left Cover Bracket	1
16	R1-1465	Marquee Hanger Bracket	2
17	McMaster-Carr - 92865A544	Medium-Strength Grade 5 Steel Hex Head Screw, Zinc-Plated, 1/4"-20 Thread Size, 1-1/4" Long, Fully Threaded	4
18	McMaster-Carr - 91102A750	Zinc-Plated Steel Split Lock Washer for 1/4" Screw Size, 0.26" ID, 0.487" OD	4

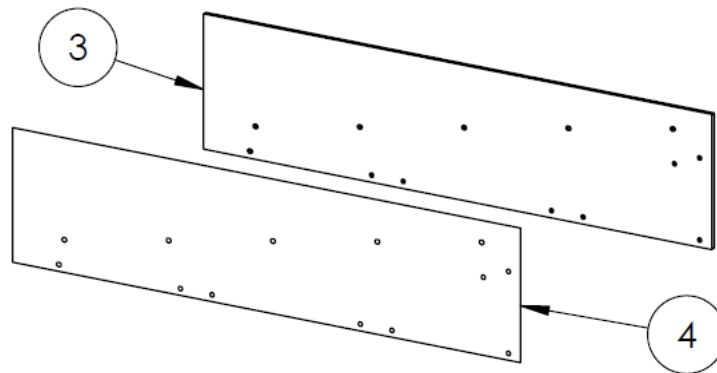
Decaled Right/Left Upper Panel Exploded Drawings w/Parts Table

Decaled Right Upper Panel



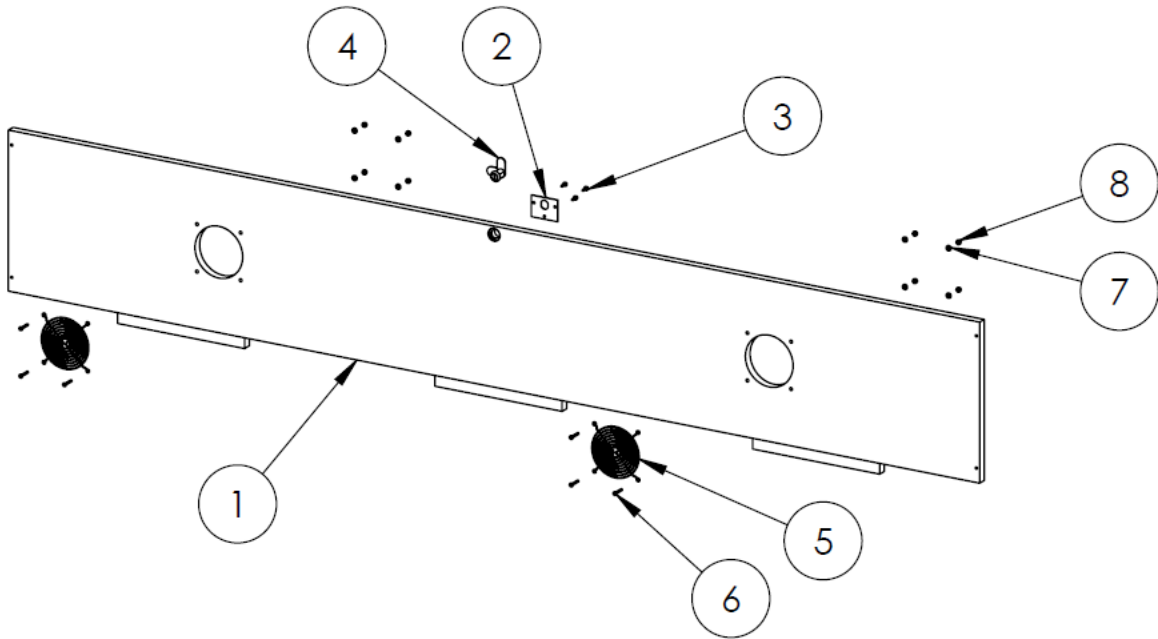
ITEM NO.	PART NUMBER	DESCRIPTION	QTY.
1	R90-23-118	Right Upper Panel	1
2	R90-13-353	Upper Right Side Decal	1

Decaled Left Upper Panel



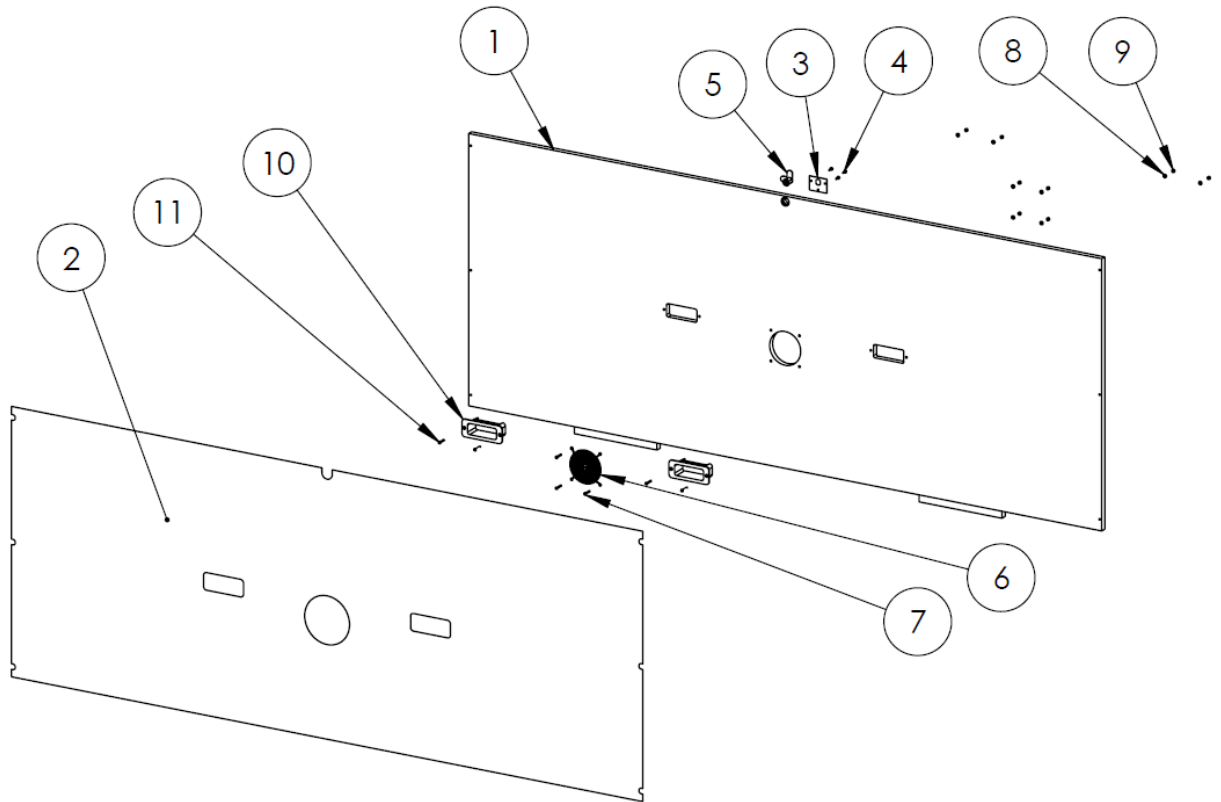
ITEM NO.	PART NUMBER	DESCRIPTION	QTY.
3	R90-23-119	Left Upper Panel	1
4	R90-13-354	Upper Left Side Decal	1

Lower Back Door Exploded Drawings w/Parts Table



ITEM NO.	PART NUMBER	DESCRIPTION	QTY.
1	R90-23-120	STA - Lower Back Door	1
2	600-00043-01	Lock Retainer Plate	1
3	McMaster-Carr - 90054A196	Flanged Hex Head Screws for Sheet Metal, Zinc-Plated Steel, Number 8 Size, 5/8" Long	3
4	150-00001-00	Standard Door Lock Assembly (for 3/4" Panels)	1
5	800-00001-00	120MM Wire Fan Guard	2
6	McMaster-Carr - 90272A353	Zinc-Plated Steel Pan Head Phillips Screw, 8-32 Thread, 1-1/8" Long	8
7	McMaster-Carr - 90126A512	Zinc-Plated Steel SAE Washer for Number 8 Screw Size, 0.188" ID, 0.438" OD	8
8	McMaster-Carr - 90631A009	Low-Strength Steel Nylon-Insert Locknut, Zinc-Plated, 8-32 Thread Size	8

Upper Back Door Exploded Drawings w/Parts Table



ITEM NO.	PART NUMBER	DESCRIPTION	QTY.
1	R90-23-121	Upper Back Door	1
2	R90-13-362	Upper Back Door Decal	1
3	600-00043-01	Lock Retainer Plate	1
4	McMaster-Carr - 90054A196	Flanged Hex Head Screws for Sheet Metal, Zinc-Plated Steel, Number 8 Size, 5/8" Long	3
5	150-00001-00	Standard Door Lock Assembly (for 3/4" Panels)	1
6	800-00001-00	120MM Wire Fan Guard	1
7	McMaster-Carr - 90272A353	Zinc-Plated Steel Pan Head Phillips Screw, 8-32 Thread, 1-1/8" Long	4
8	McMaster-Carr - 90126A512	Zinc-Plated Steel SAE Washer for Number 8 Screw Size, 0.188" ID, 0.438" OD	8
9	McMaster-Carr - 90631A009	Low-Strength Steel Nylon-Insert Locknut, Zinc-Plated, 8-32 Thread Size	8
10	Partec - 4-494	Vented Cabinet Handle	2
11	McMaster-Carr - 90272A201	Steel Phillips Rounded Head Screws, 8-32 Thread Size, 1-1/4" Long	4

Electrical Diagrams

Pg. 81 – AC & DC Distribution + PC + Monitor + IR Frame

Pg. 82 – Main Harness + IO & Audio PCBs + Linear Actuators & Controller

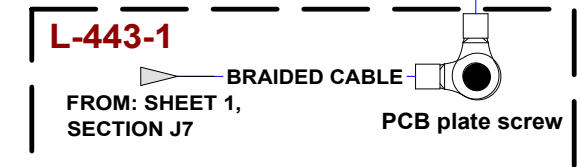
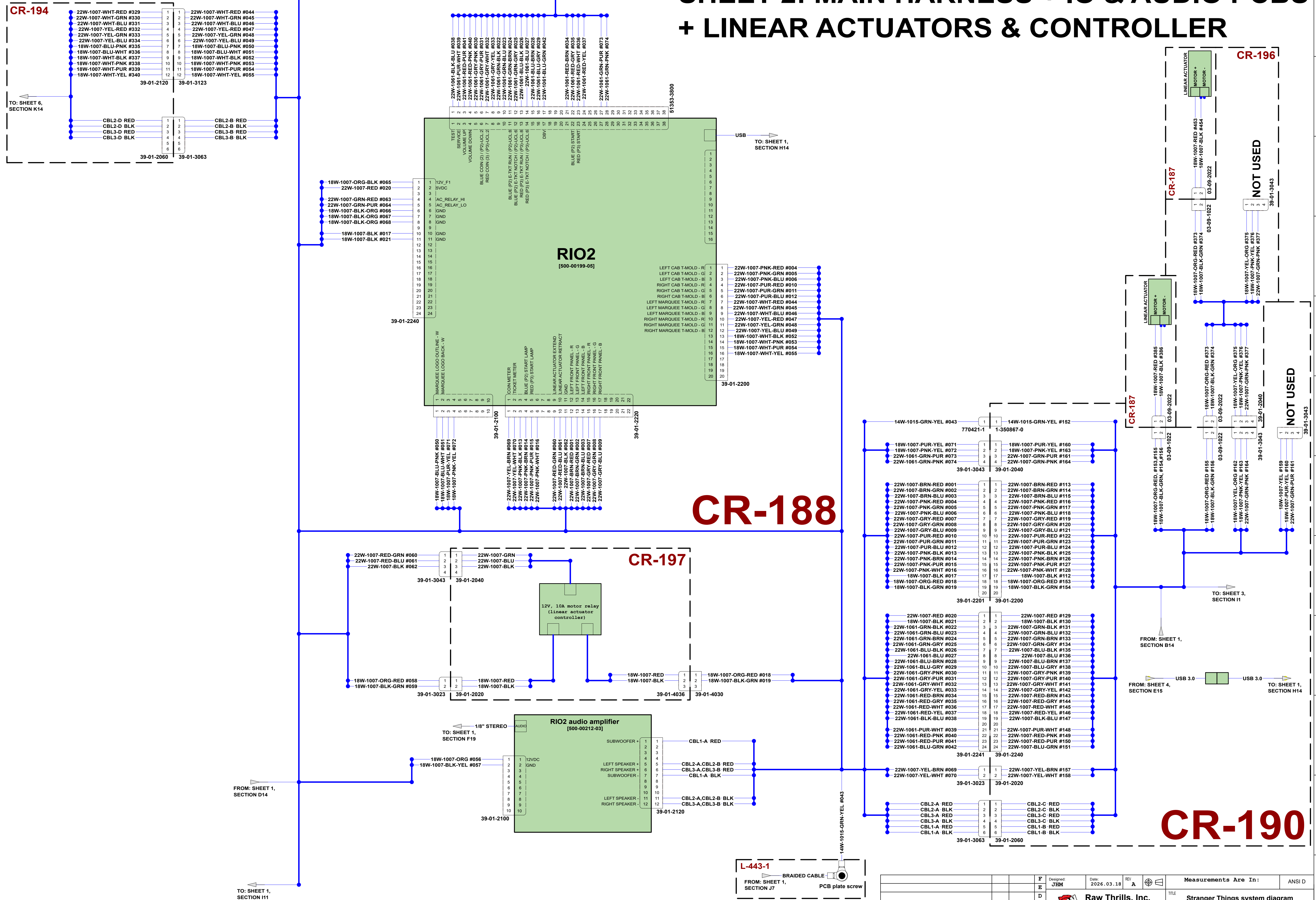
Pg. 83 – Left Front Cabinet

Pg. 84 – Middle Front Cabinet

Pg. 85 – Right Front Cabinet

Pg. 86 – Cabinet Top + Marquee

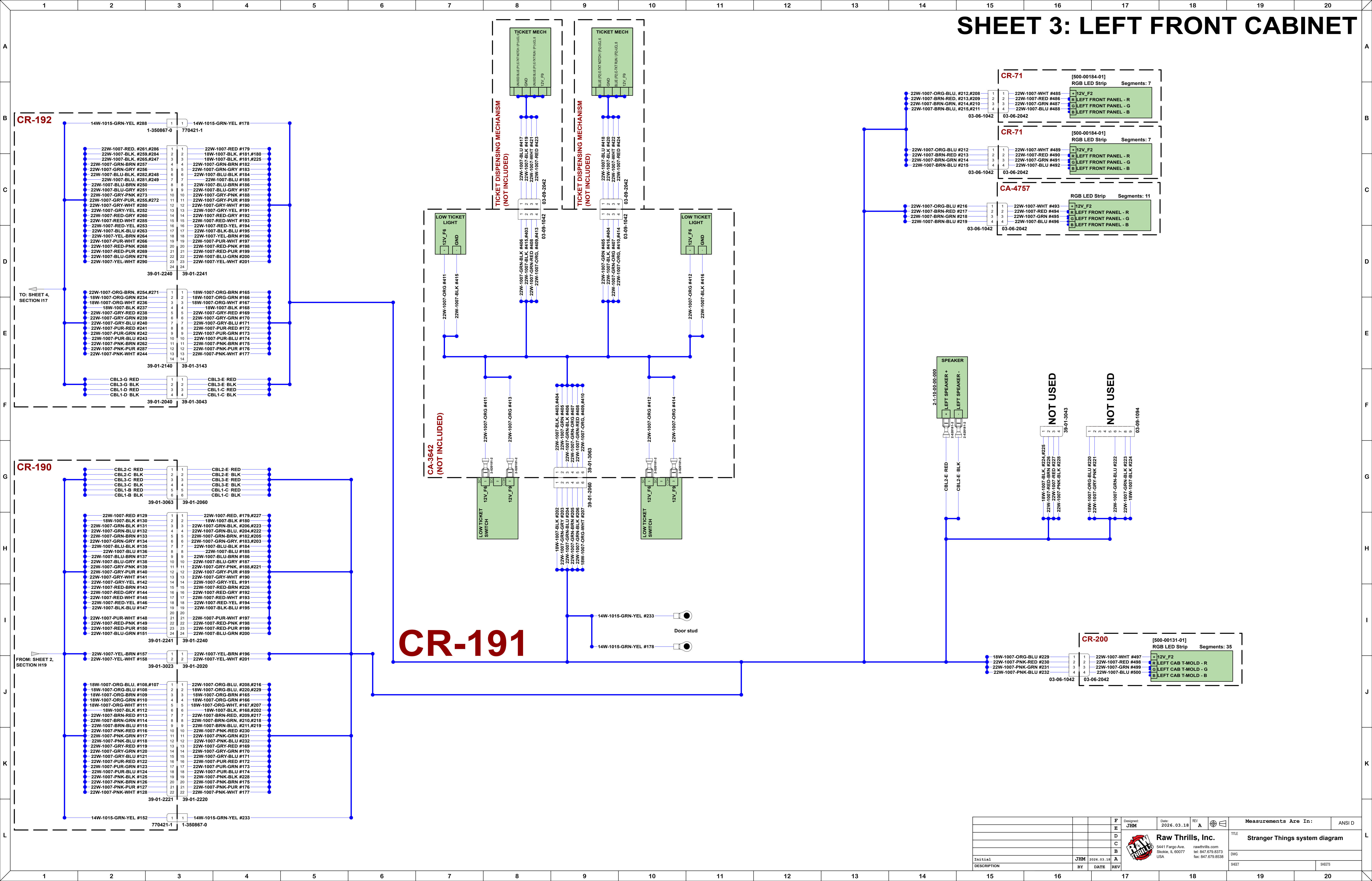
SHEET 2: MAIN HARNESS + IO & AUDIO PCBs + LINEAR ACTUATORS & CONTROLLER



DESIGNER	JHM	DATE	2026.03.18	REV	A	MEASUREMENTS ARE IN:	ANSI D
INITIALS	JHM	DATE	2026.03.18	REV	A	TITLE	Stranger Things system diagram
DESCRIPTION		BY		DATE		DWG	
						SHEET	

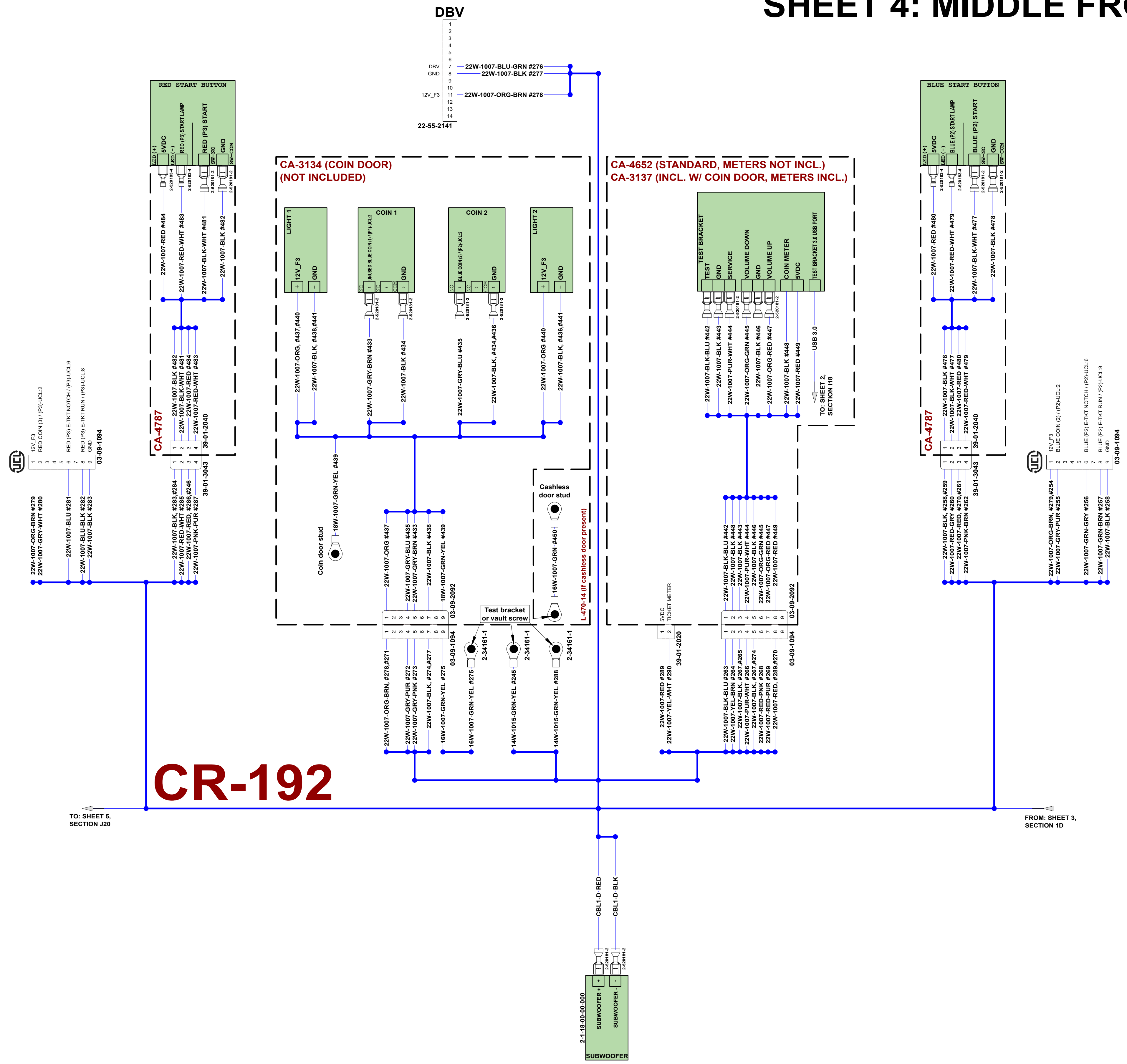
Raw Thrills, Inc.
3411 Fargo Ave., Skokie, IL 60077
rawthrills.com
tel: 847.678.8373
fax: 847.678.8538

SHEET 3: LEFT FRONT CABINET



Initial	JHM	2026.03.18	REV	A	Measurements Are In:	ANSI D
DESCRIPTION	BY	DATE	REV			
					Raw Thrills, Inc. 5441 Fargo Ave. Skokie, IL 60077 rawthrills.com tel: 847.678.6373 fax: 847.679.8538	
					TITLE: Stranger Things system diagram DWG: _____ SHEET: _____	

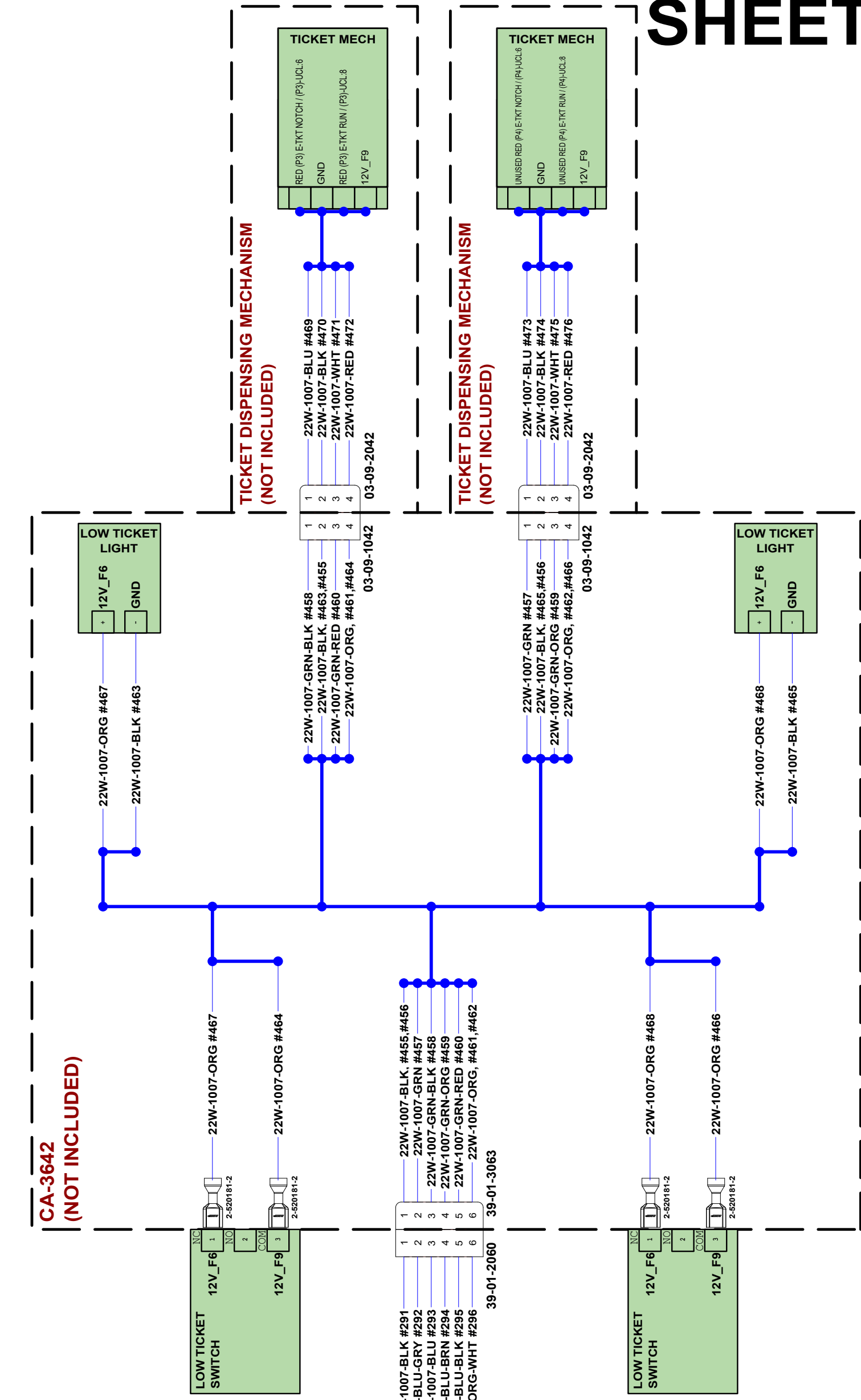
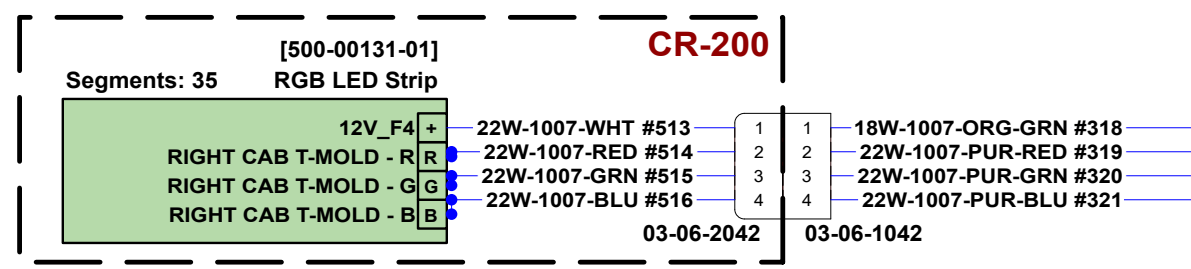
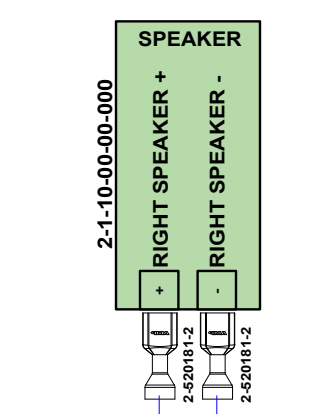
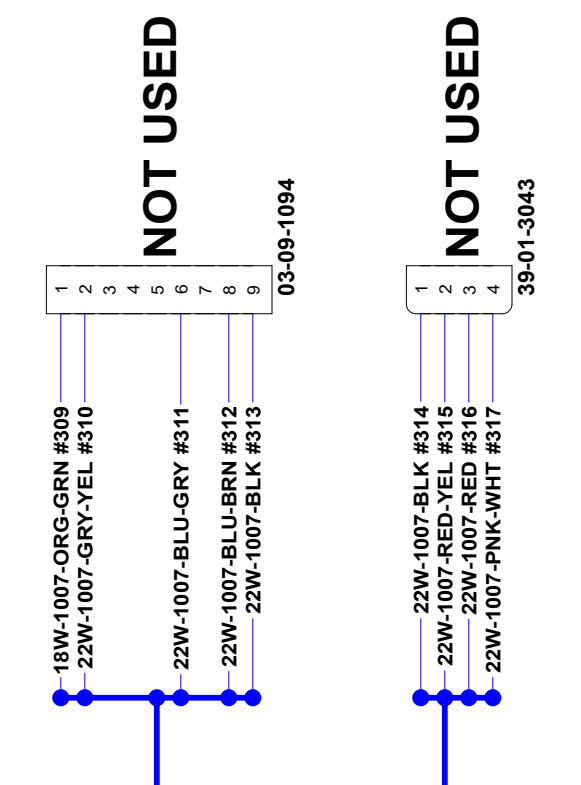
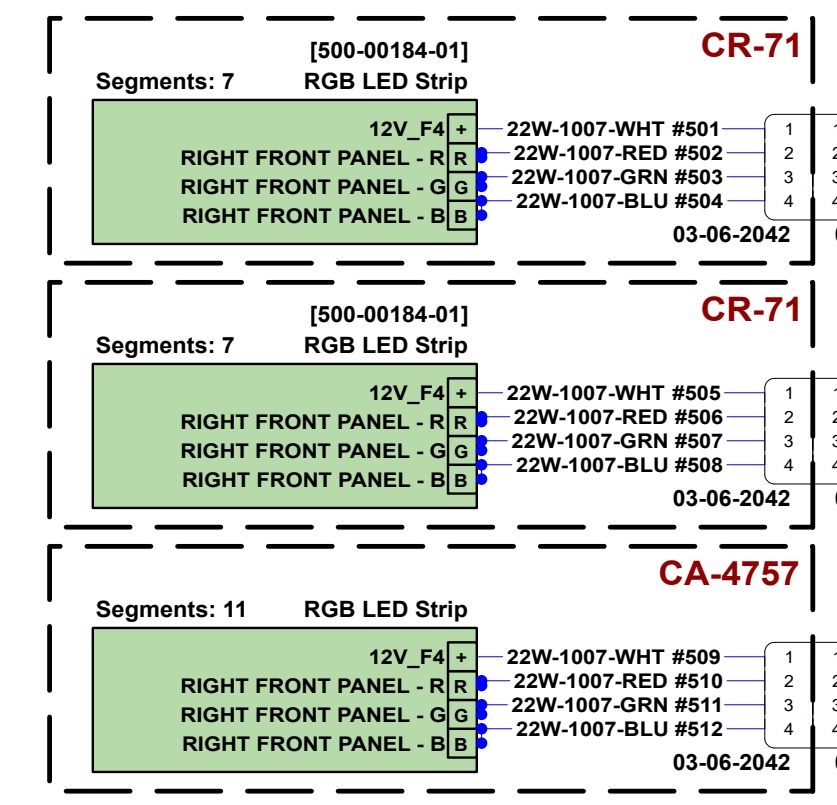
SHEET 4: MIDDLE FRONT CABINET



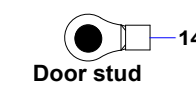
CR-192

Initial	JHM	2026.03.18	BY	DATE	REV	F E D C B A	Designed: JHM Date: 2026.03.18 REV A	Measurements Are In: ANSI D	TITLE Stranger Things system diagram
DESCRIPTION							Raw Thrills, Inc. 5411 Fargo Ave. Skokie, IL 60077 USA rawthrills.com tel: 847.679.8373 fax: 847.679.8538		SHEET SHEETS

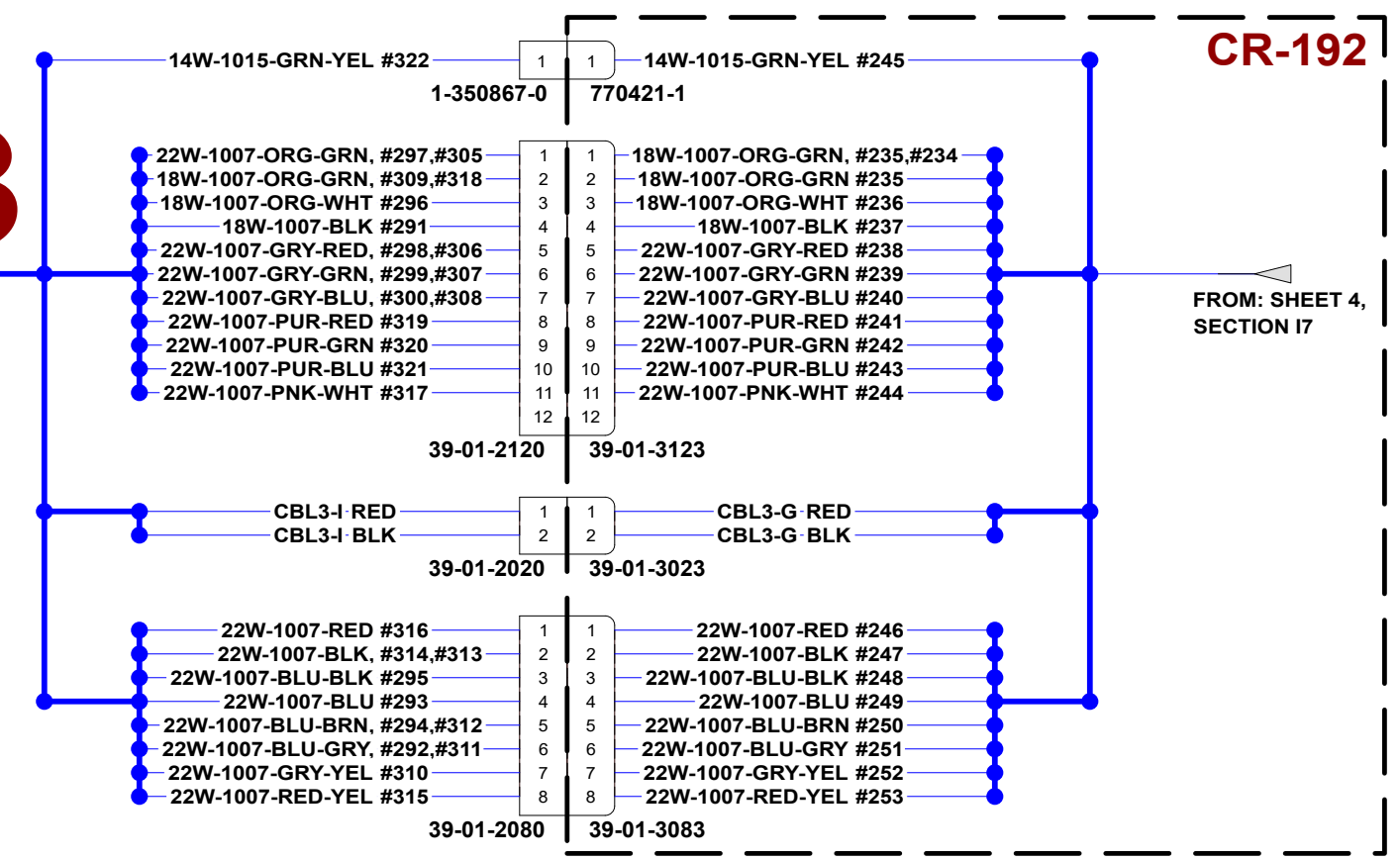
SHEET 5: RIGHT FRONT CABINET



CA-3642 (NOT INCLUDED)



CR-193

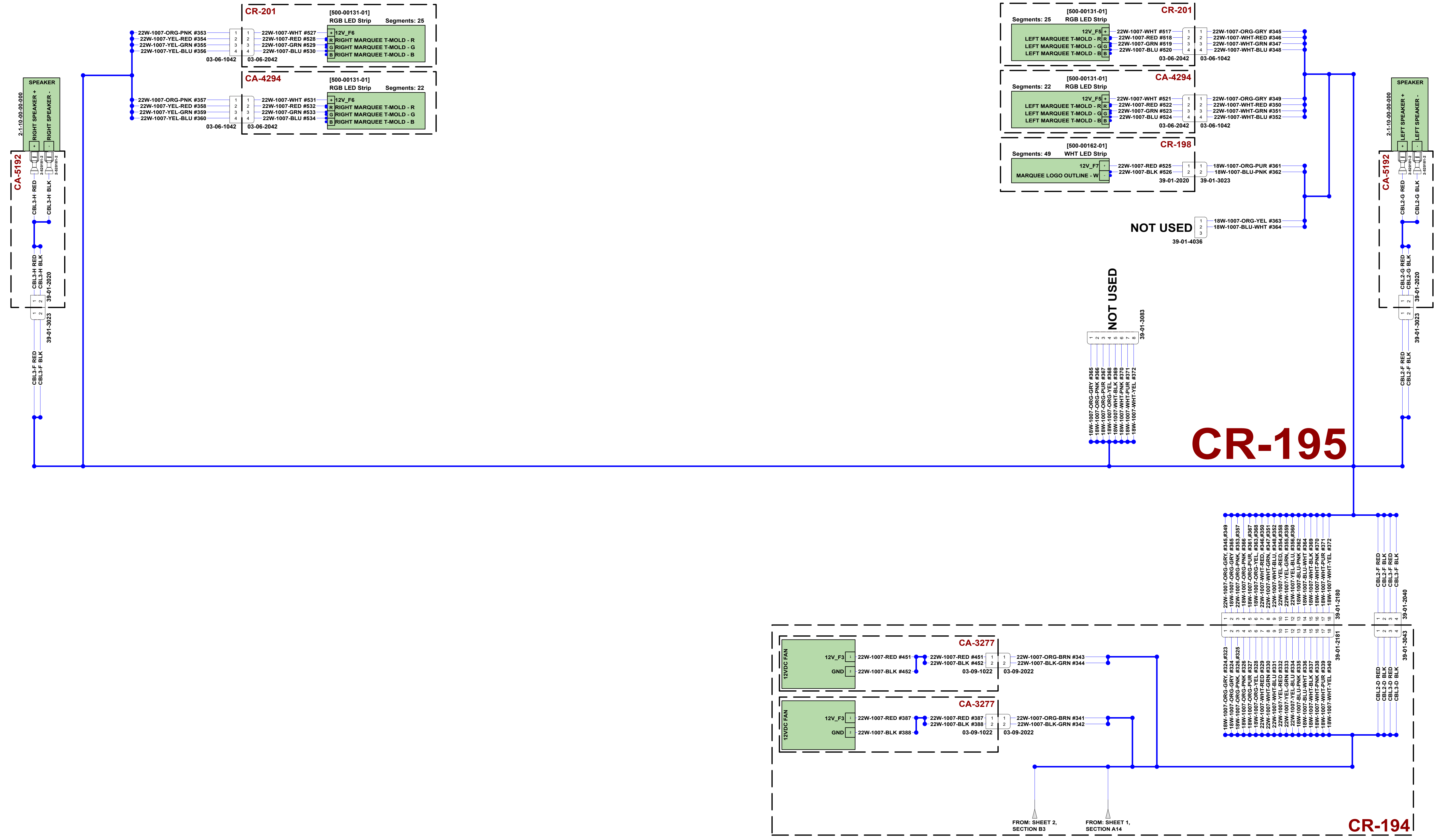


FROM: SHEET 4, SECTION I7

Initial	JHM	2026.03.18	BY	DATE	REV	F	Designed	JHM	Date	2026.03.18	REV	A	Measurements Are In:	ANSI D
DESCRIPTION						E							TITLE	Stranger Things system diagram
						C							DWG	
						B							SHEET	
						A								SHEETS



SHEET 6: CABINET TOP + MARQUEE



Initial	JHM	2026.03.18	BY	DATE	REV	F	Designed	JHM	Date	2026.03.18	REV	A	Measurements Are In:	ANSI D
DESCRIPTION										Raw Thrills, Inc. 5411 Fargo Ave. Skokie, IL 60077 rawthrills.com tel: 847.679.8373 fax: 847.679.8538 USA			TITLE Stranger Things system diagram DWG SHEET	