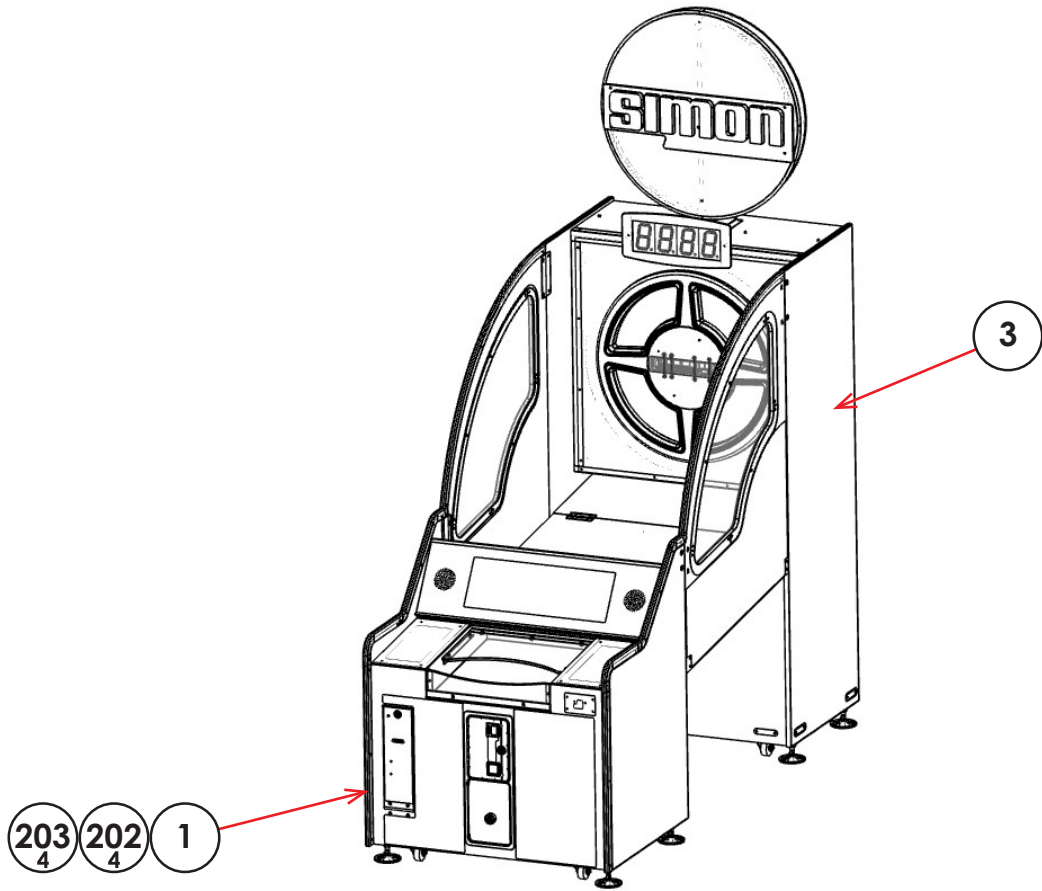


11 PARTS LIST

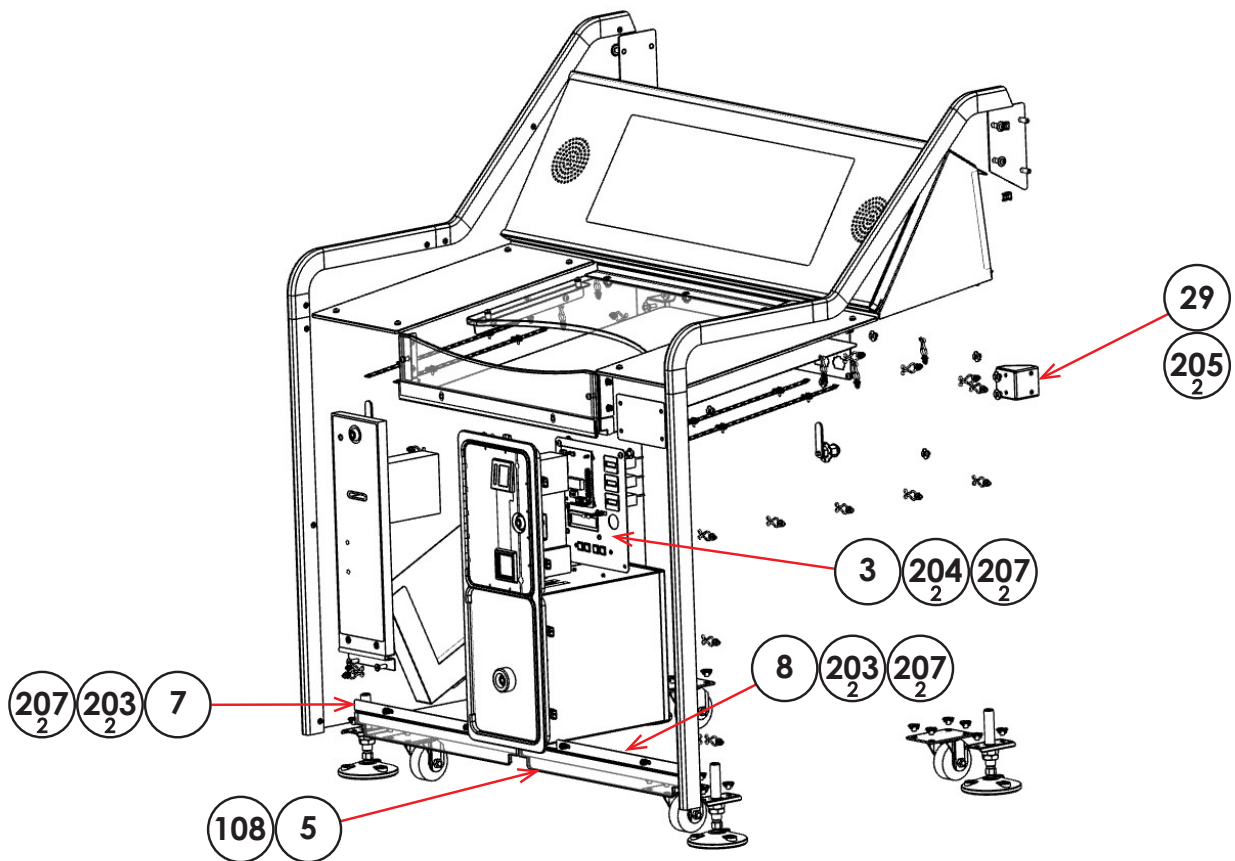
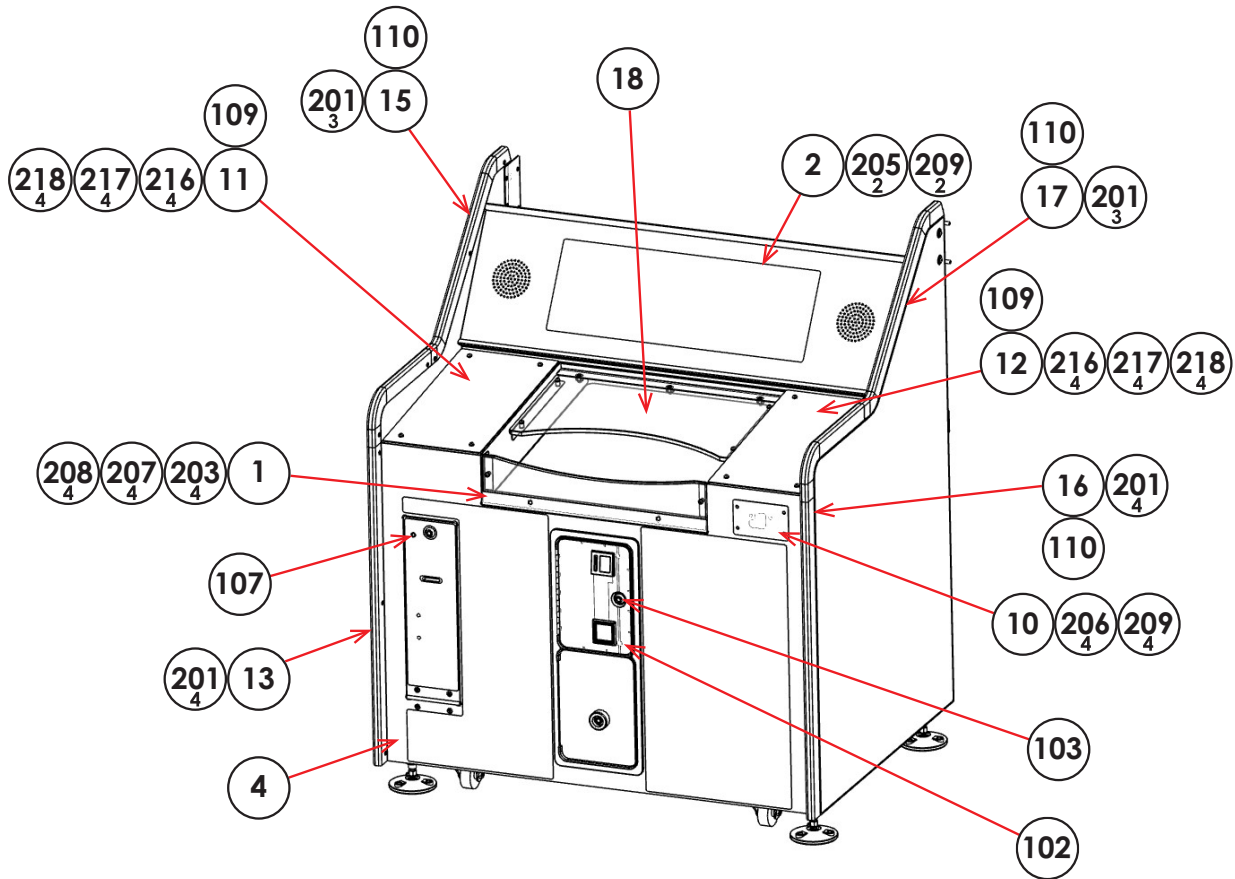
TOP ASSY SIMON ARCADE (SA-0000UK)

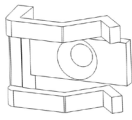


SA-0000UK		TOP ASSY SIMON ARCADE		
Level/Seq.No.	Component Part	Description	Type	Number off
*1	SA-1000UK	ASSY CONTROL CABINET	PHTM	1
*3	SA-2000UK	ASSY FEATURE CABINET	PHTM	1
*202	029-B00530	M5X30 SKT BH PAS	BOP	4
*203	068-531610	M5 WSHR 16OD FLT PAS	BOP	4
*401	SA-INST-STD	ASSY INST KIT SA STD	PHTM	1
*402	PK0468	SHRINK WRAP RD STD	BOP	2
*404	PK0581	PALLET SA	BOP	1
*405	PK0582	SLEEVE SA CONTROL CABI	BOP	1
*407	PK0589	SLEEVE SA FEATURE CABI	BOP	1
*410	PK0589-01	LID SA FEATURE CABI	BOP	1

Please note: The location of all labels can be found in Chapter 1 of the Full Manual.

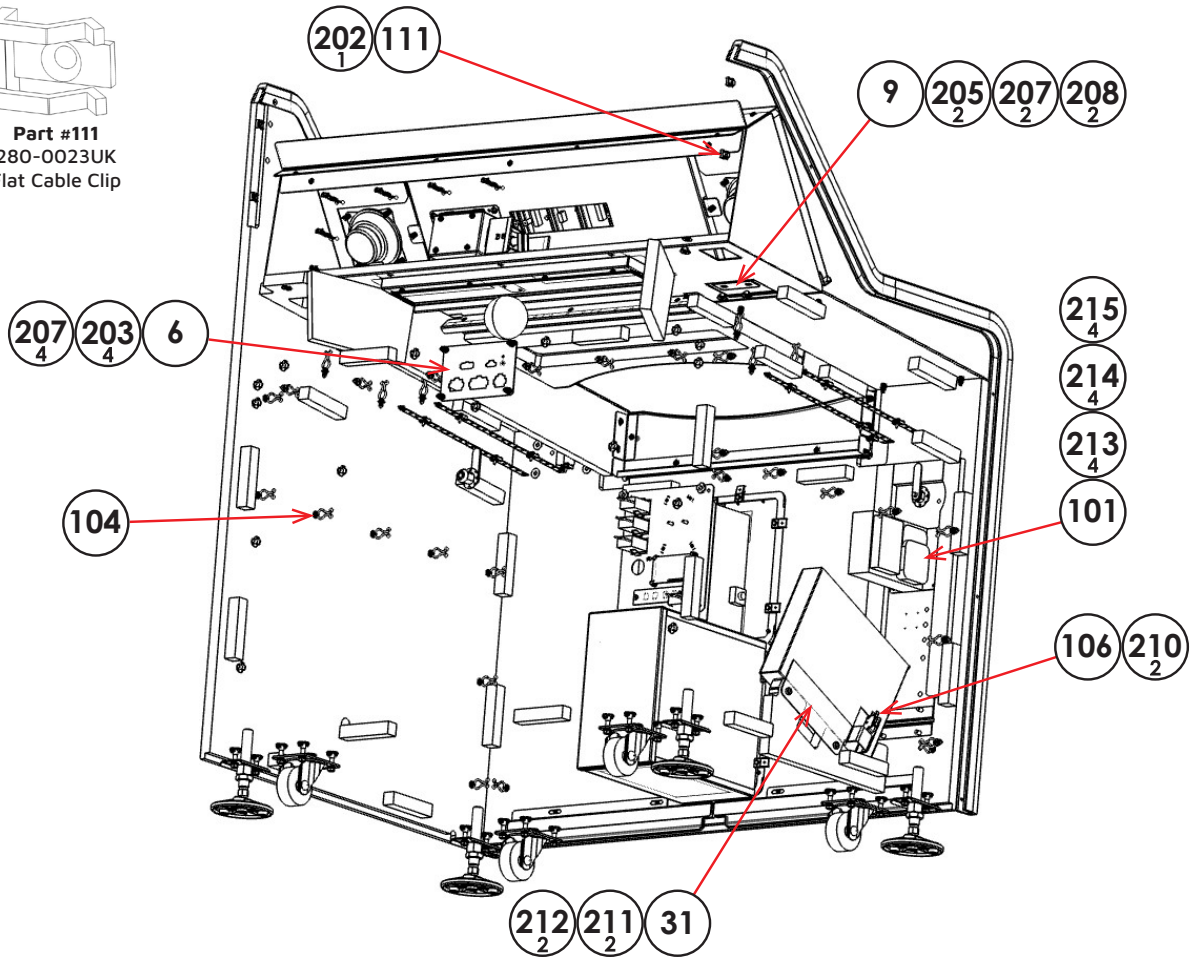
The location of all artwork can be found in Chapter 10.





Part #111
280-0023UK
Flat Cable Clip

11 PARTS LIST





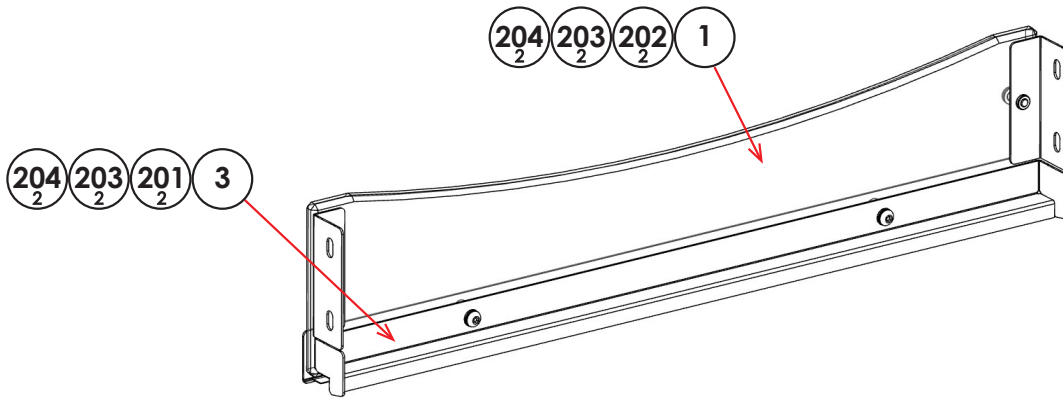
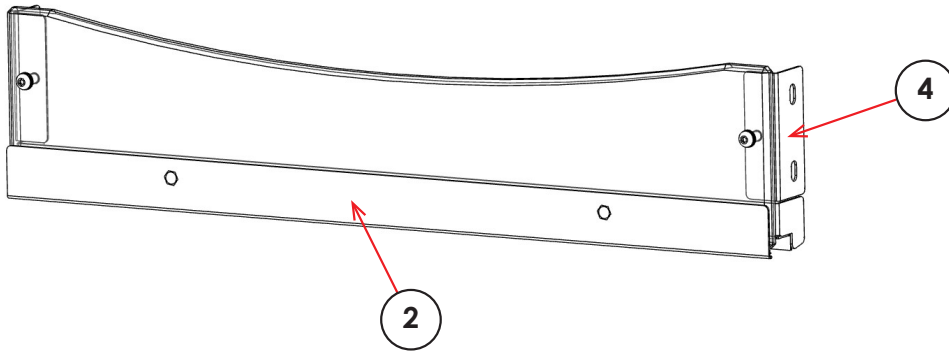
SA-1000UK		ASSY CONTROL CABINET	
Level/Seq.No.	Component Part	Description	Number off
**1	SA-1020UK	ASSY BALL TROUGH LED	1
**2	SA-1100UK	ASSY SCORE DISPLAY	1
**3	SA-1550UK	ASSY SW UNIT	1
**4	SA-1002UK	ASSY FRONT CABINET	1
**5	SA-1003UK	PANEL FRONT CABI DOWNLIGHT	2
**6	SA-1004UK	PLATE FRONT PANEL MOUNT	1
**7	SA-1007UK	BRKT FRONT CABI DOWNLIGHT LH	1
**8	SA-1008UK	BRKT FRONT CABI DOWNLIGHT RH	1
**9	SA-1011UK	BRKT SCORE ASSY LOCATING	2
**10	SA-1012UK	PLATE CARD READER BLANKING	1
**11	SA-1013UK	AWARD CARD	1
**12	SA-1014UK	INSTRUCTION PANEL	1
**13	SA-1019UK	TRIM LOWER LIGHTING LH	1
**15	SA-1018UK	TRIM UPPER LIGHTING LH	1
**16	SA-1029UK	TRIM LOWER LIGHTING RH	1
**17	SA-1028UK	TRIM UPPER LIGHTING RH	1
**18	SA-1031UK	BALL PROTECT COVER	1
**21	SA-1034UK	BALL TROUGH STICKER	1
**22	SA-1036UK	TICKET DOOR STICKER	1
**23	SA-1037UK	FRONT PANEL LH STICKER	1
**24	SA-1038UK	FRONT PANEL RH STICKER	1
**25	SA-1041UK	FRONT CAB CHEEK STICKER	2
**28	SA-1044UK-05	AWARD 50-200 INSERT	1
**30	SA-0008UK	STICKER KAIZEN LOGO	2
**31	BI-1106UK	HOLDER TICKET	1
**34	SA-0007UK	STICKER SEGA LOGO	2
**35	SA-1104UK	STICKER FOUL LINE	1



SA-1000UK		ASSY CONTROL CABINET	
Level/Seq.No.	Component Part	Description	Number off
-----	-----	-----	-----
**101	220-0001-01UK	TICKET VEND UNIT TD-963CR	1
**102	220-5736-01	DFMD W/UNIV CRADLE&CASHBOX ENC HI SEC	1
**103	220-5575UK	LOCK (J9117) KEY TO LIKE 22MM W CAM	1
**104	280-A01264-WX	ROUTER TWIST D12 SO6.4 WOOD XL	33
**106	EP1420	SW MICRO LEVER RS	1
**107	EP1421	LED 12V RED RS 541-4072	1
**108	SAI-6101-0400UK	WH ASSY LED 400MM	2
**109	SAI-6504-0300UK	WH ASSY LED 300MM	4
**110	SAI-6101-1700UK	WH ASSY LED 1700MM	2
**111	280-0023UK	FLAT CABLE CLIP 6.4MM SFCC-4-01	10
**201	012-F03509-OB	N6X3/8" S/TAP CSK BLK	14
**202	012-P03506-F	N6X1/4" S/TAP FLG PAS	10
**203	029-B00512	M5X12 SKT BH PAS	12
**204	029-B00516	M5X16 SKT BH PAS	2
**205	029-B00530	M5X30 SKT BH PAS	6
**206	050-F00500	M5 NUT FLG SER PAS	4
**207	060-F00500	M5 WSHR FORM A FLT PAS	18
**208	060-S00500	M5 WSHR SPR PAS	8
**209	068-531610	M5 WSHR 16OD FLT PAS	6
**210	029-B00316	M3X16 SKT BH PAS	2
**211	029-B00630	M6X30 SKT BH PAS	2
**212	068-652016	M6 WSHR 20OD FLT PAS	2
**213	029-B00412	M4X12 SKT BH PAS	4
**214	060-F00400	M4 WSHR FORM A FLT PAS	4
**215	060-S00400	M4 WSHR SPR PAS	4
**216	029-B00512-OB	M5X12 SKT BH BLK	12
**217	060-F00500-OB	M5 WSHR FORM A FLT BLK	12
**218	060-S00500-OB	M5 WSHR SPR BLK	12
**301	SA-60015UK	WH CONTROL CABINET	1
**302	SA-60019UK	WH UPLIGHTS LEFT	1
**303	SA-60020UK	WH UPRIGHTS RIGHT	1
**304	SA-60021UK	WH CREDIT & TICKET	1
**305	ZR-60031UK	WH TICKET VEND	1
**306	600-9100-44K	EARTH WH 1 METER	2



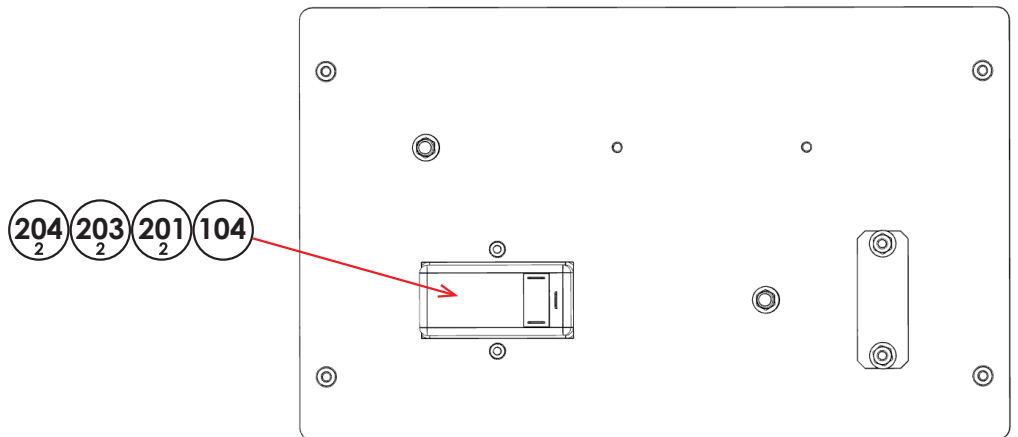
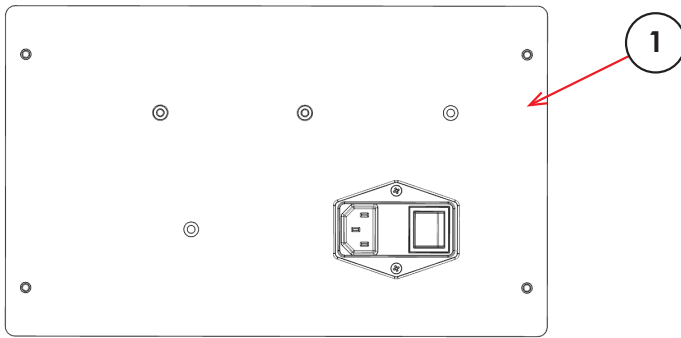
ASSY BALL TROUGH LED (SA-1020UK)



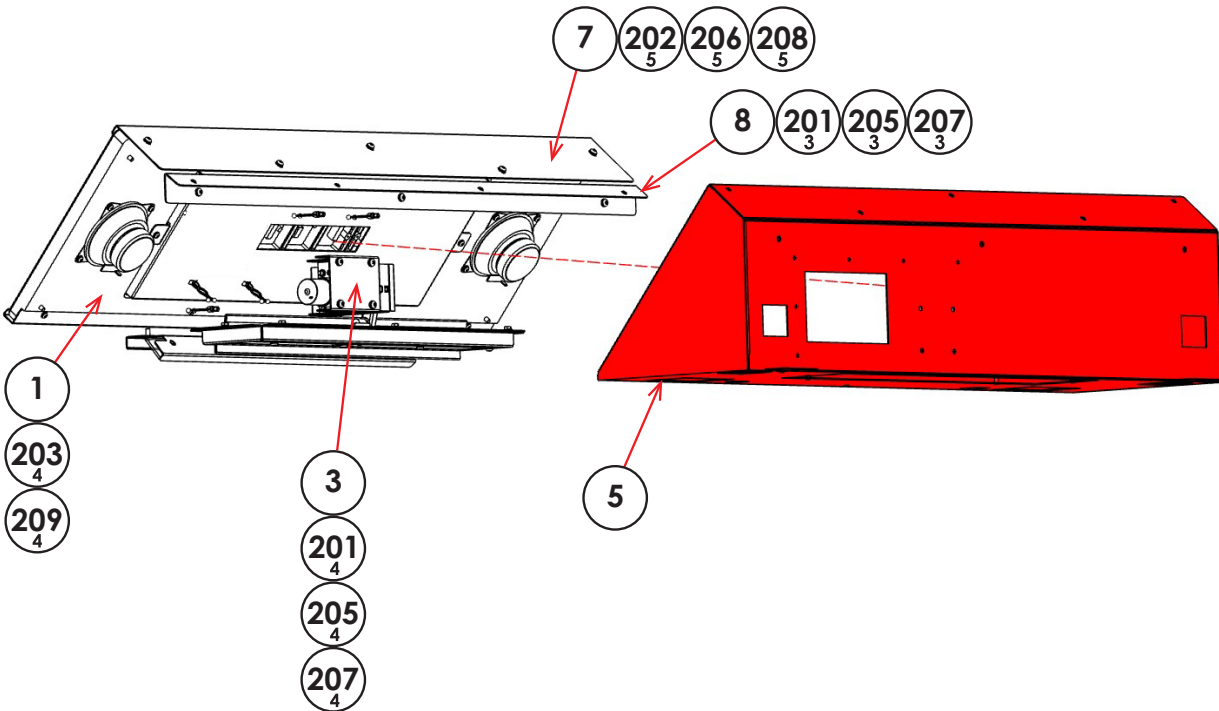
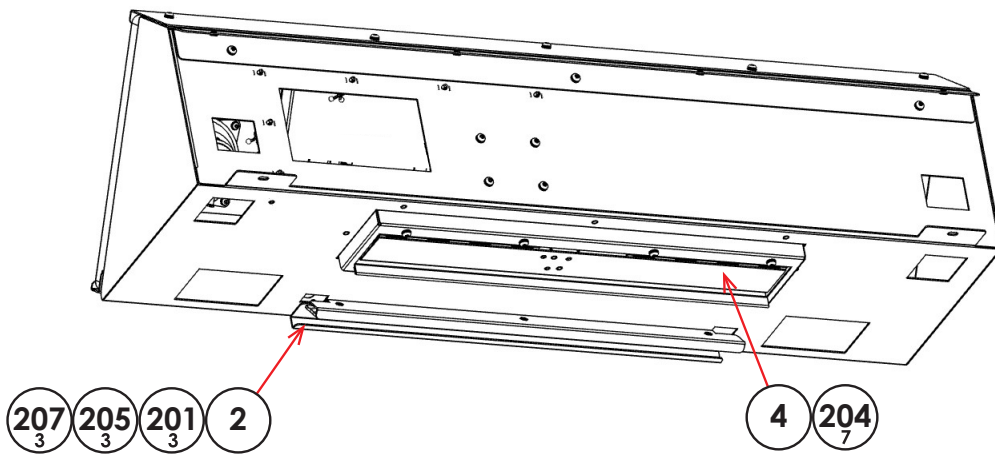
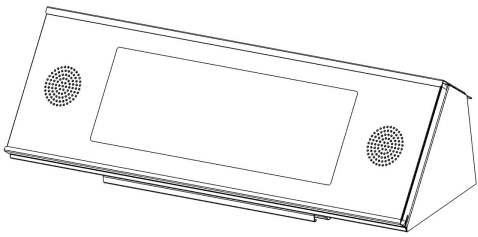
SA-1020UK		ASSY BALL TROUGH LED	
Level/Seq.No.	Component Part	Description	Number off
***1	SA-1021UK	PANEL BALL TROUGH LED	1
***2	SA-1022UK	BRKT BALL TROUGH LED FRONT	1
***3	SA-1023UK	BRKT BALL TROUGH LED REAR	1
***4	SA-1024UK	BRKT BALL TROUGH LED SIDE	2
***101	SAI-6101-0500UK	WH ASSY LED 500MM	1
***201	029-B00512-0B	M5X12 SKT BH BLK	2
***202	029-B00516-0B	M5X16 SKT BH BLK	2
***203	060-F00500-0B	M5 WSHR FORM A FLT BLK	4
***204	060-S00500-0B	M5 WSHR SPR BLK	4



ASSY AC UNIT (SA-1080UK)



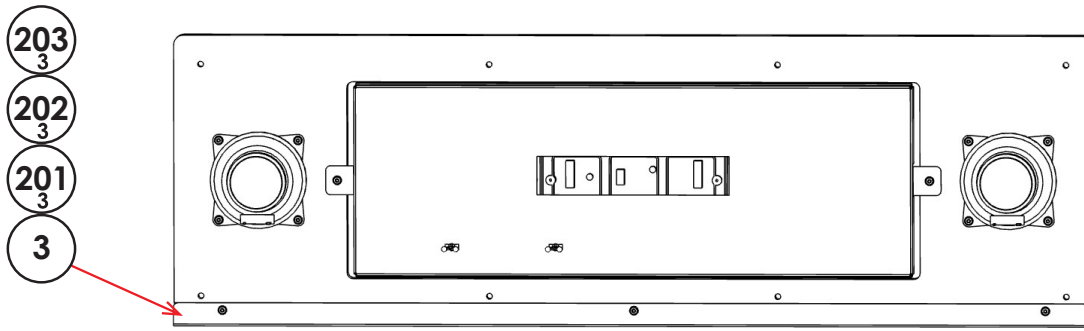
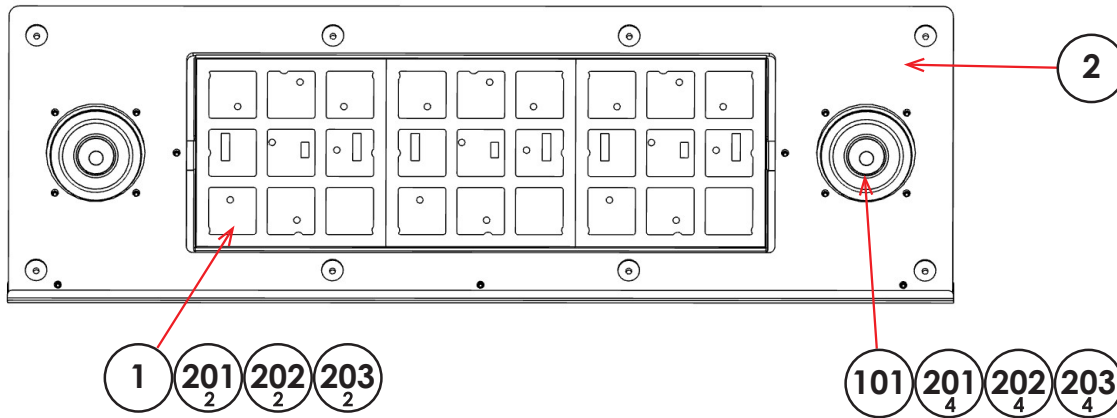
SA-1080UK		ASSY AC UNIT	
Level/Seq.No.	Component Part	Description	Number off
***1	HP-1081UK	PLATE AC	1
***104	EP1389	FILTER IEC FUSED SW IPO642H2 DELTRON	1
***105	310-5029-D508	HEAT SHRINK SLEEVING 50.8DIA	8
***106	EP1515	CLIP FERRITE	1
***201	029-B00412	M4X12 SKT BH PAS	2
***202	050-F00400	M4 NUT FLG SER PAS	2
***203	060-F00400	M4 WSHR FORM A FLT PAS	2
***204	060-S00400	M4 WSHR SPR PAS	2
***301	SAI-60008UK	WH AC IN IEC FILTER UNIT	1





SA-1100UK		ASSY SCORE DISPLAY	
Level/Seq.No.	Component Part	Description	Number off
-----	-----	-----	-----
***1	SA-1105UK	ASSY SPEAKER PANEL	1
***2	SA-1110UK	ASSY BALL COLLECT LED	1
***3	SA-1120UK	ASSY BALL RELEASE MOTOR	1
***4	SA-1130UK	ASSY BALL RELEASE GATE	1
***5	SA-1101UK	SUPPORT SCORE DISPLAY	1
***6	SA-1103UK	SPEAKER COVER	1
***7	SA-1107UK	BRKT SPKR COVER UPPER	1
***8	SA-1136UK	BRKT BALL SHIELD	1
***101	280-A01013-PM	ROUTER TWIST D10 SO12.7 PAN M	6
***103	EP1515	CLIP FERRITE	2
***201	029-B00512	M5X12 SKT BH PAS	10
***202	029-B00512-0B	M5X12 SKT BH BLK	5
***203	029-B00520	M5X20 SKT BH PAS	4
***204	050-F00500	M5 NUT FLG SER PAS	7
***205	060-F00500	M5 WSHR FORM A FLT PAS	10
***206	060-F00500-0B	M5 WSHR FORM A FLT BLK	5
***207	060-S00500	M5 WSHR SPR PAS	10
***208	060-S00500-0B	M5 WSHR SPR BLK	5
***209	068-531610	M5 WSHR 16OD FLT PAS	4
***301	SA-60016UK	WH SCORE DISPLAY	1

 **ASSY SPEAKER PANEL (SA-1105UK)**

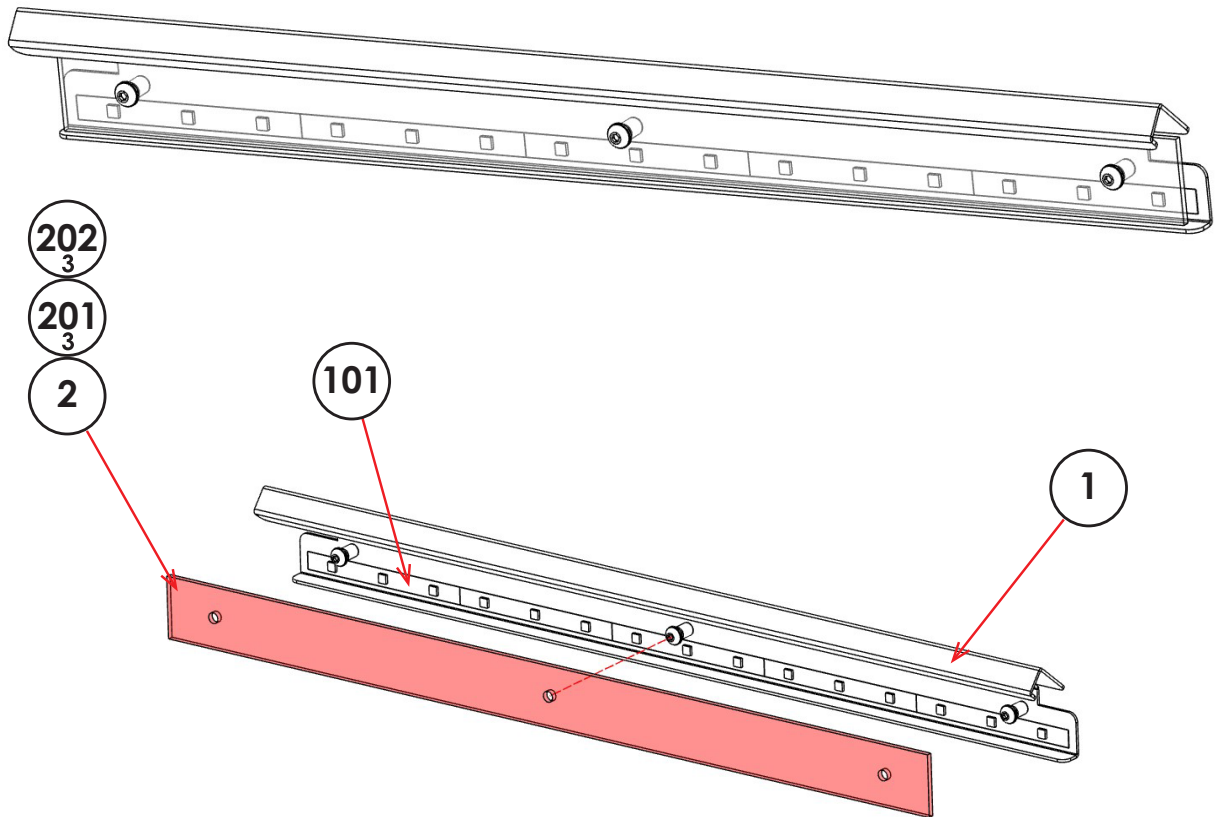


SA-1105UK		ASSY SPEAKER PANEL	
Level/Seq.No.	Component Part	Description	Number off
****1	SA-1115UK	ASSY LED MATRIX	1
****2	SA-1102UK	PANEL SPEAKER	1
****3	SA-1106UK	BRKT SPKR COVER LOWER	1
****101	130-010-04020	SPKR 4OHM 20W FR-10HM 4898	2
****201	029-B00410	M4X10 SKT BH PAS	13
****202	060-F00400	M4 WSHR FORM A FLT PAS	13
****203	060-S00400	M4 WSHR SPR PAS	13
****301	MI-60017UK	WH SPEAKERS A	2



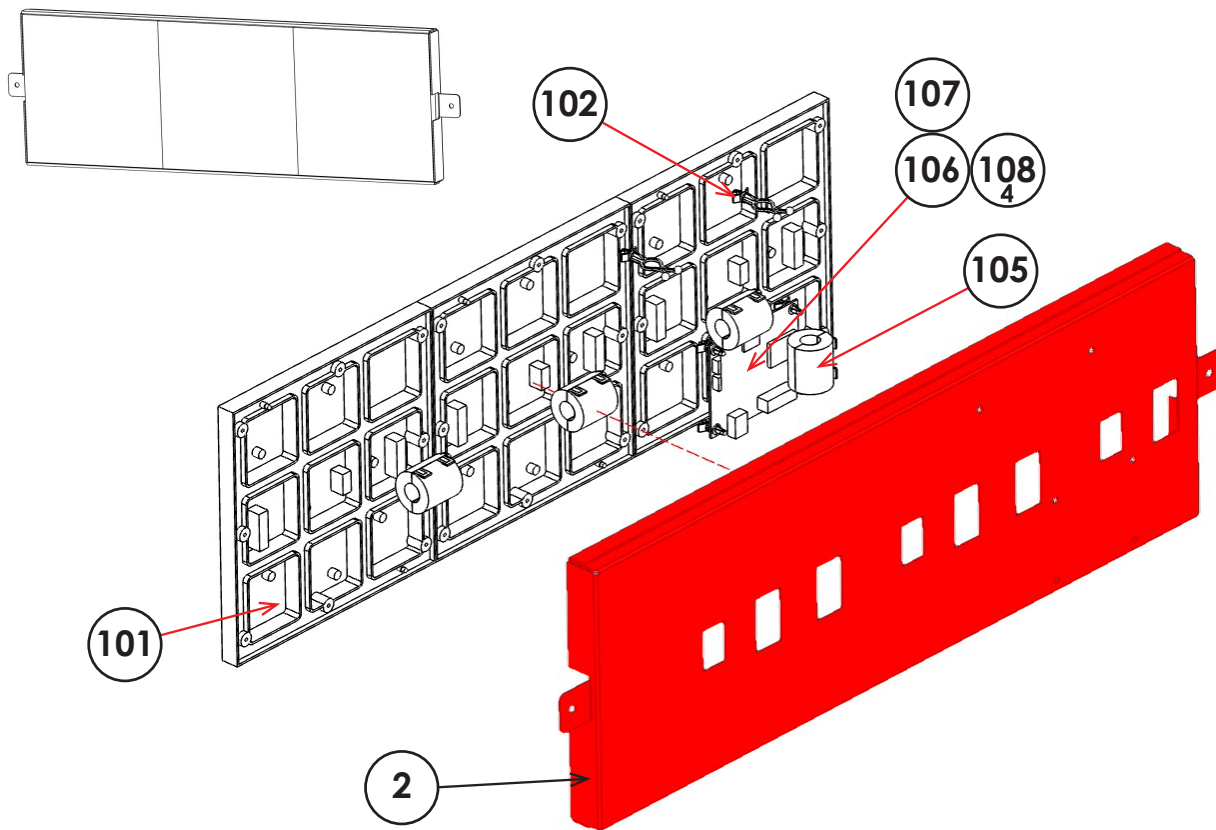
ASSY BALL COLLECT LED (SA-1110UK)

PARTS LIST



SA-1110UK		ASSY BALL COLLECT LED	
Level/Seq.No.	Component Part	Description	Number off
*****1	SA-1111UK	BRKT BALL COLLECT LED	1
*****2	SA-1112UK	COVER BALL COLLECT LED	1
****101	SAI-6101-0500UK	WH ASSY LED 500MM	1
****201	029-B00512	M5X12 SKT BH PAS	3
****202	060-F00500	M5 WSHR FORM A FLT PAS	3

 **ASSY LED MATRIX (SA-1115UK)**



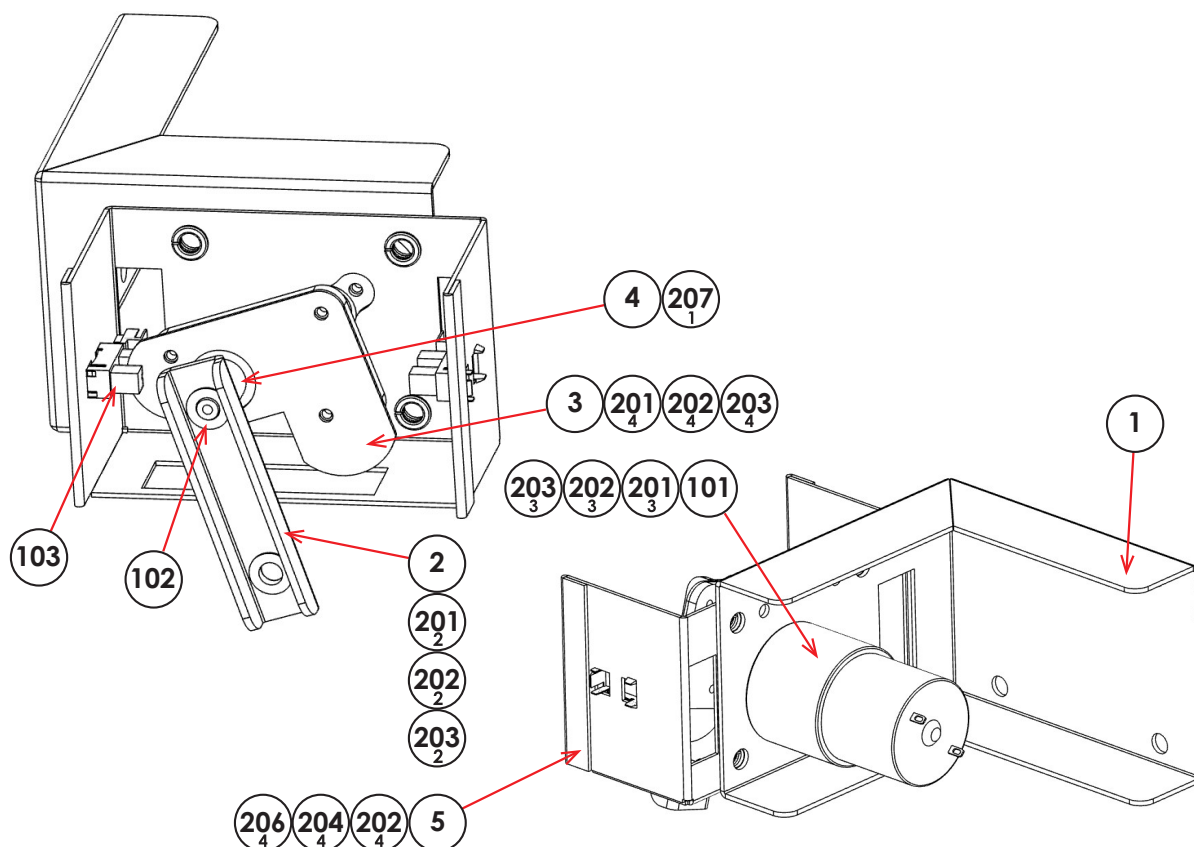
11 PARTS LIST

SA-1115UK		ASSY LED MATRIX	
Level/Seq.No.	Component Part	Description	Number off
*****2	SA-1116UK	MOUNT LED MATRIX	1
*****101	390-2805-6464P3	LED MATRIX RGB P3 221 6464	3
*****102	280-A01013-PM	ROUTER TWIST D10 SO12.7 PAN M	2
*****103	SAI-6009-0350UK	WH RIBBON CABLE 0350 16P INSULATED	1
*****104	SAI-6009-0100UK	WH RIBBON CABLE 0100 16P INSULATED	2
*****105	EP1515	CLIP FERRITE	4
*****106	838-0067UK	PCBA LED MATRIX DRIVER ELMTRI SD	1
*****107	EP1518	MICRO SD CARD 16GB	1
*****108	280-L00706-PM	STANDOFF 6.4L 4MM LCBS-5-4-01	4
*****301	SA-60017UK	WH MATRIX DISPLAYS	1



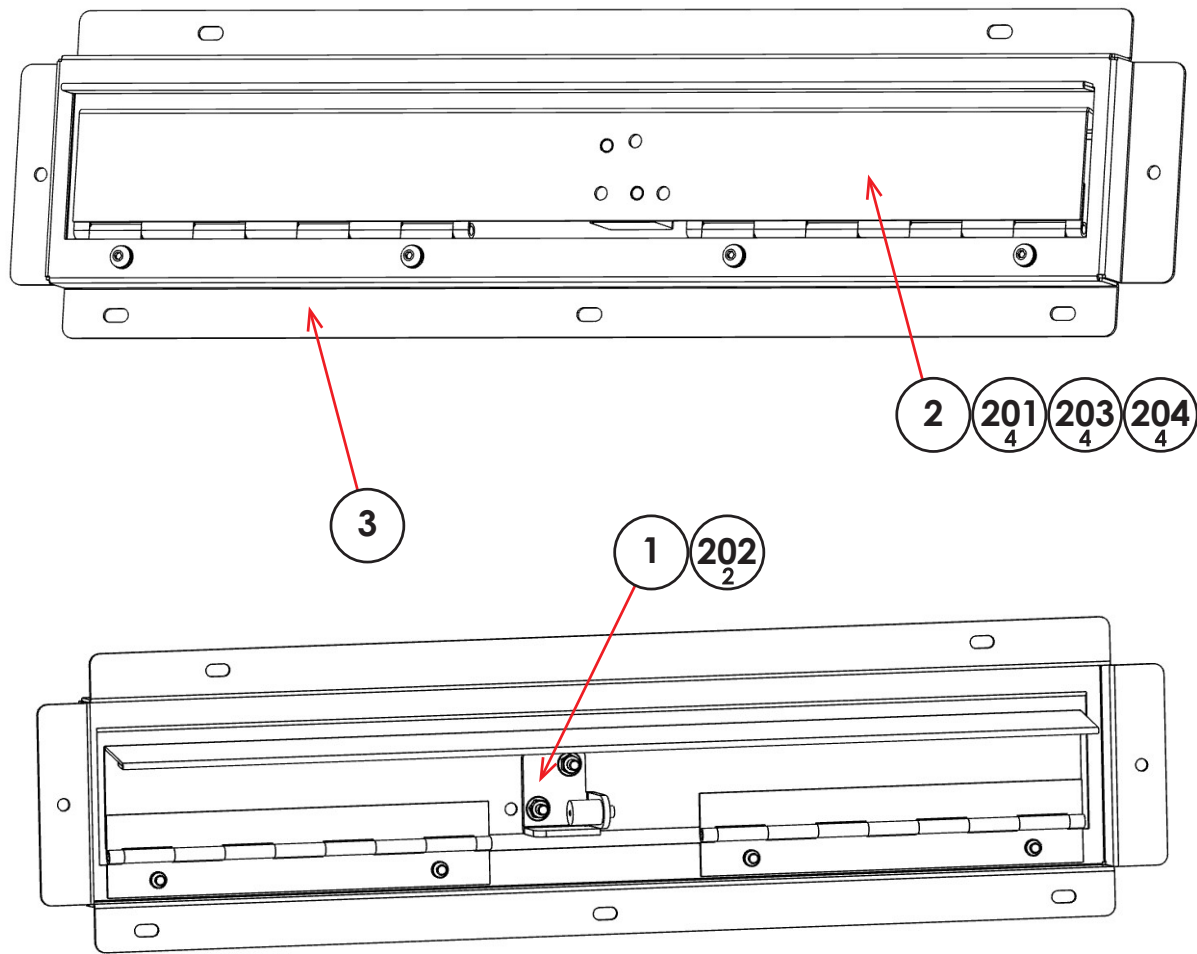
ASSY BALL RELEASE MOTOR (SA-1120UK)

1 PARTS LIST



SA-1120UK	ASSY BALL RELEASE MOTOR		
Level/Seq.No.	Component Part	Description	Number off
****1	SA-1121UK	MOUNT BALL RELEASE MOTOR	1
****2	SA-1124UK	LINK GATE ACTUATOR	1
****3	SA-1126UK	PLATE OPTO ACTUATOR	1
****4	SA-1127UK	CAM OPTO SENSOR	1
****5	SA-1128UK	MOUNT OPTO SENSOR	1
****101	350-NLTG-012-007UK	MOTOR NINGBO TG-38126000-810K	1
****102	100-0002UK	BEARING FLANGED IGUS GFM-0607-029	2
****103	EP1434	OPTIC SENSOR GAMESMAN A151	2
****104	OS1247	ALUMINIUM STICKY CLIP ASK-3	2
****105	601-0460	CABLE TIE NYLON 100MM	2
****201	029-BT00306	M3X6 SKT BH THLOCK PAS	9
****202	029-BT00512	M5X12 SKT BH THLOCK PAS	4
****203	060-FO0300	M3 WSHR FORM A FLT PAS	9
****204	060-FO0500	M5 WSHR FORM A FLT PAS	4
****205	060-S00300	M3 WSHR SPR PAS	9
****206	060-S00500	M5 WSHR SPR PAS	4
****207	028-AT00405-P	M4X5 GSCR SKT CUP P THLOCK	1
****301	SA-60018UK	WH GATE CONTROL	1
****302	SA-60024UK	WH BALL RELEASE MOTOR	1

 **ASSY BALL RELEASE GATE (SA-1130UK)**

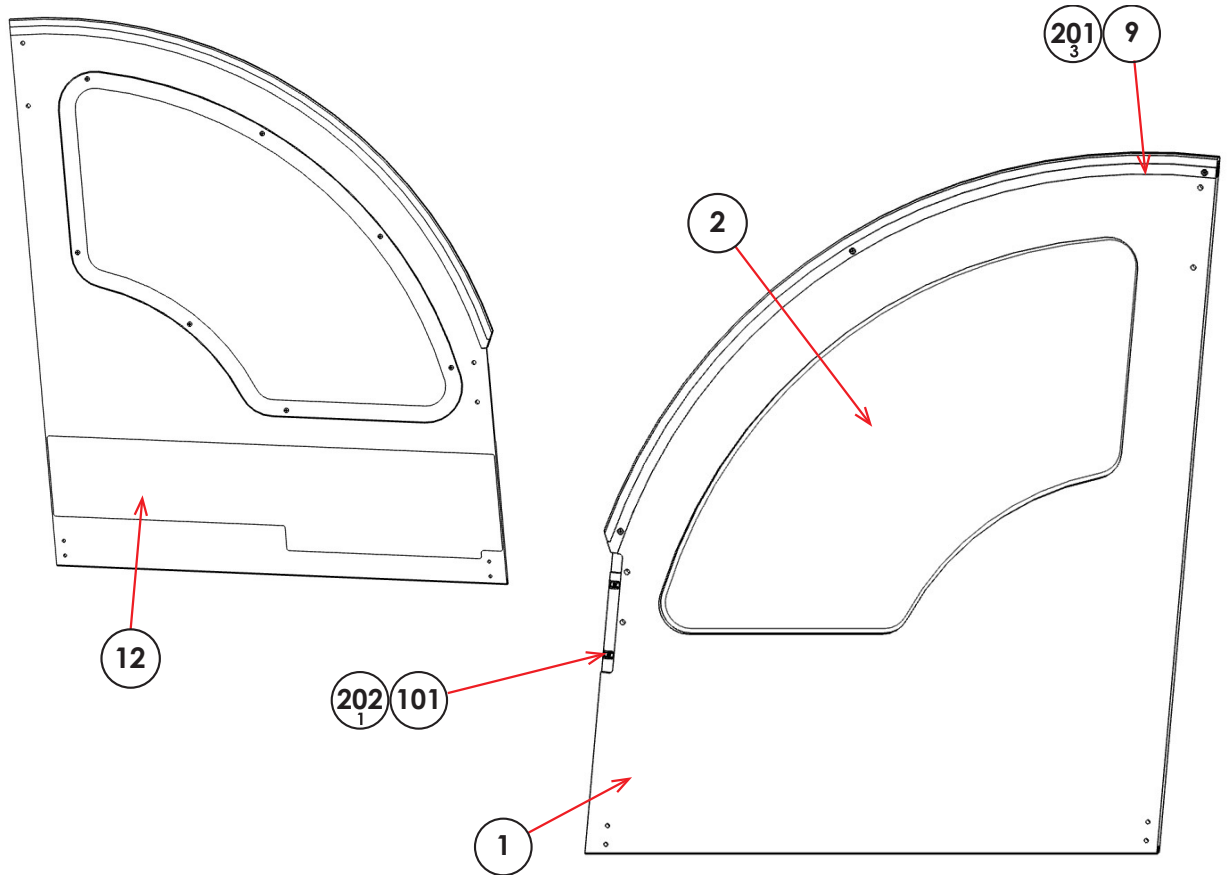


SA-1130UK		ASSY BALL RELEASE GATE	
Level/Seq.No.	Component Part	Description	Number off
****1	SA-1131UK	SUPPORT BALL RELEASE GATE	1
****2	SA-1132UK	GATE BALL RELEASE	1
****3	SA-1133UK	MOUNT BALL RELEASE GATE	1
****201	029-B00512	M5X12 SKT BH PAS	4
****202	050-F00500	M5 NUT FLG SER PAS	2
****203	060-F00500	M5 WSHR FORM A FLT PAS	4
****204	060-S00500	M5 WSHR SPR PAS	4



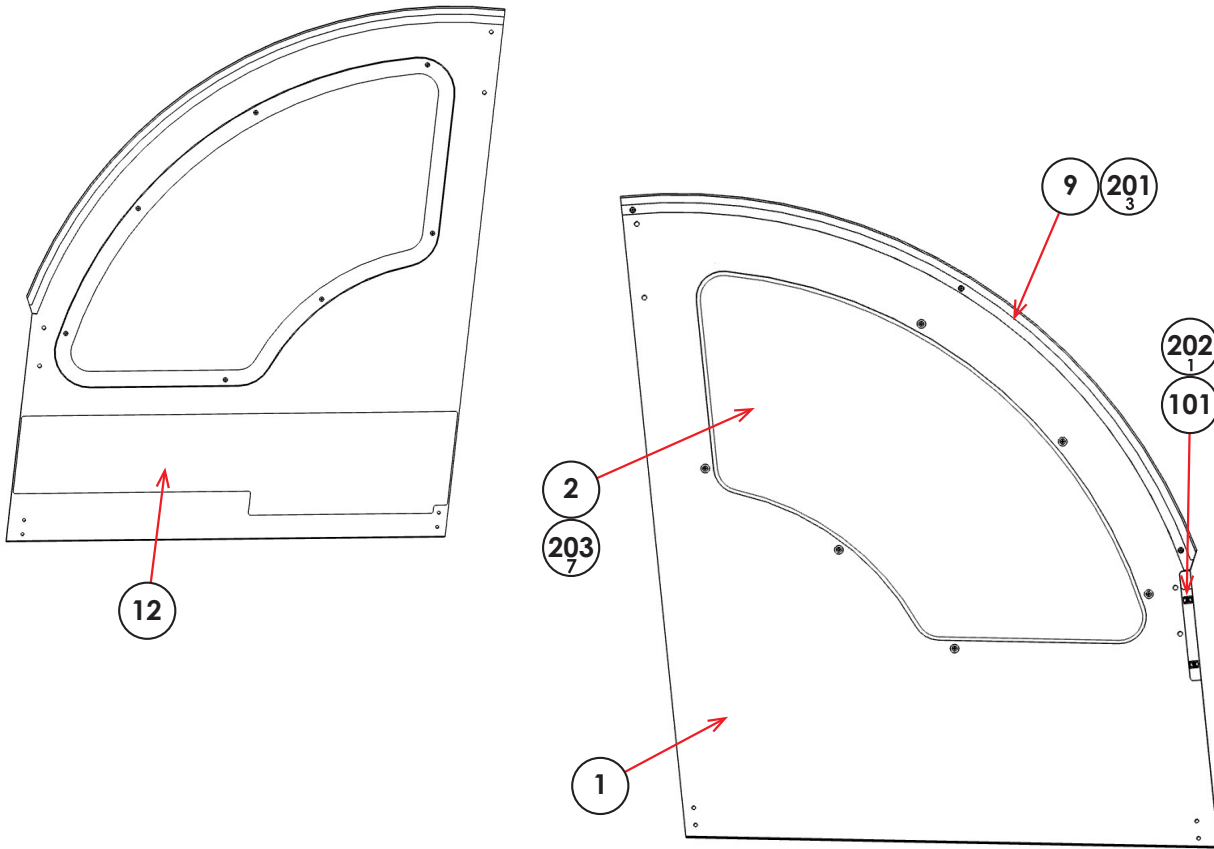
ASSY LH SIDE (SA-1200UK)

1 PARTS LIST



SA-1200UK		ASSY LH SIDE	
Level/Seq.No.	Component Part	Description	Number off
***1	SA-1201UK	CHEEK MID LH	1
***2	SA-1202UK	PANEL SIDE LH	1
***9	SA-1211UK	TRIM ARCH LIGHTING LH	1
***12	SA-1214UK	STICKER SIDE PANEL LH	1
***101	280-0023UK	FLAT CABLE CLIP 6.4MM SFCC-4-01	2
***102	SAI-6101-1400UK	WH LED ASSY 1400MM	1
***201	012-F03509-0B	N6X3/8" S/TAP CSK BLK	3
***202	012-P03506-F	N6X1/4" S/TAP FLG PAS	2
***203	029-B00512-0B	M5X12 SKT BH BLK	7

 **ASSY RH SIDE (SA-1250UK)**

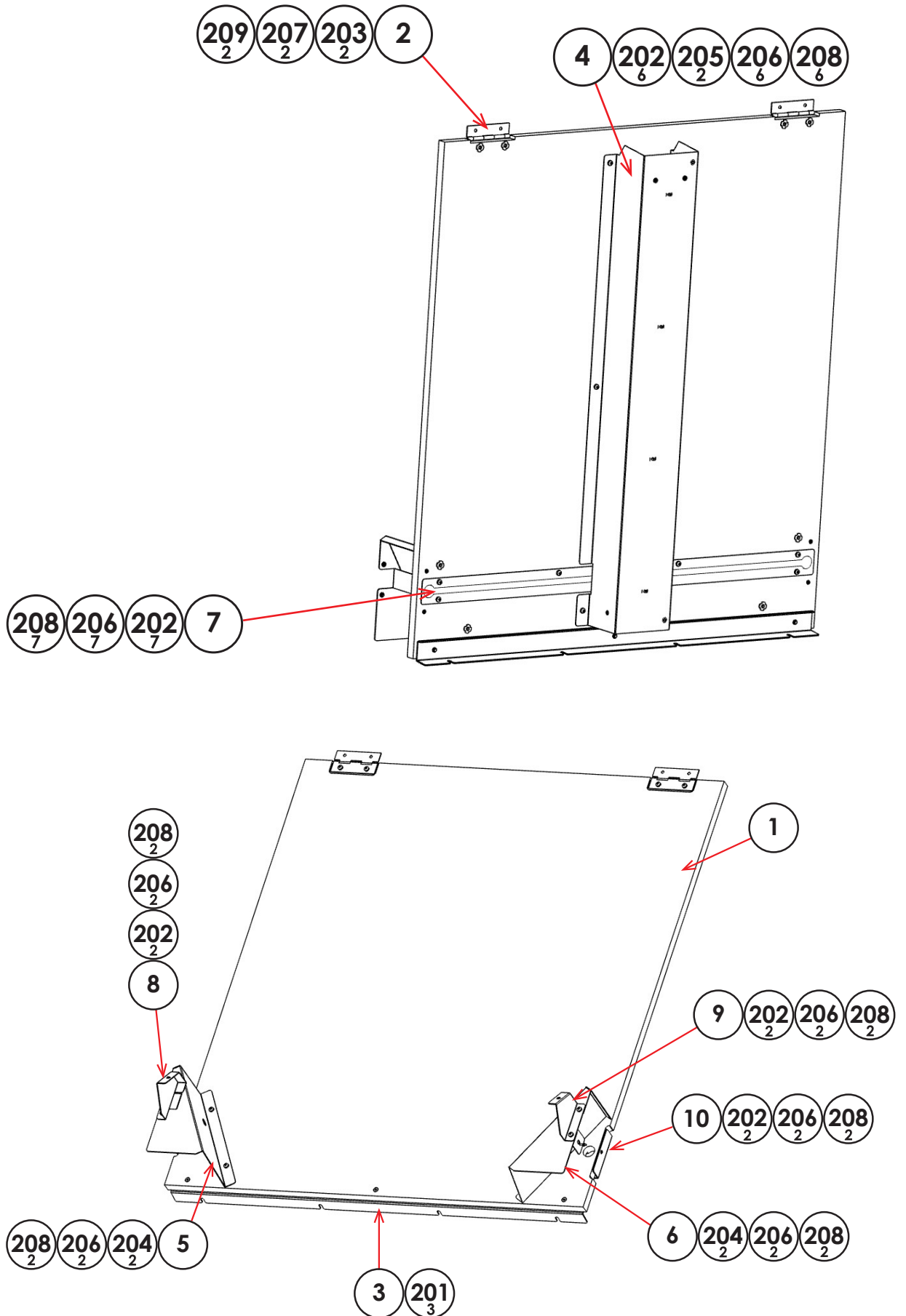


11 PARTS LIST

SA-1250UK		ASSY RH SIDE	
Level/Seq.No.	Component Part	Description	Number off
***1	SA-1251UK	CHEEK MID RH	1
***2	SA-1252UK	PANEL SIDE RH	1
***9	SA-1261UK	TRIM ARCH LIGHTING RH	1
***12	SA-1254UK	STICKER SIDE PANEL RH	1
***101	280-0023UK	FLAT CABLE CLIP 6.4MM SFCC-4-01	2
***102	SAI-6101-1400UK	WH LED ASSY 1400MM	1
***201	012-F03509-OB	N6X3/8" S/TAP CSK BLK	3
***202	012-P03506-F	N6X1/4" S/TAP FLG PAS	2
***203	029-B00512-OB	M5X12 SKT BH BLK	7



I PARTS LIST

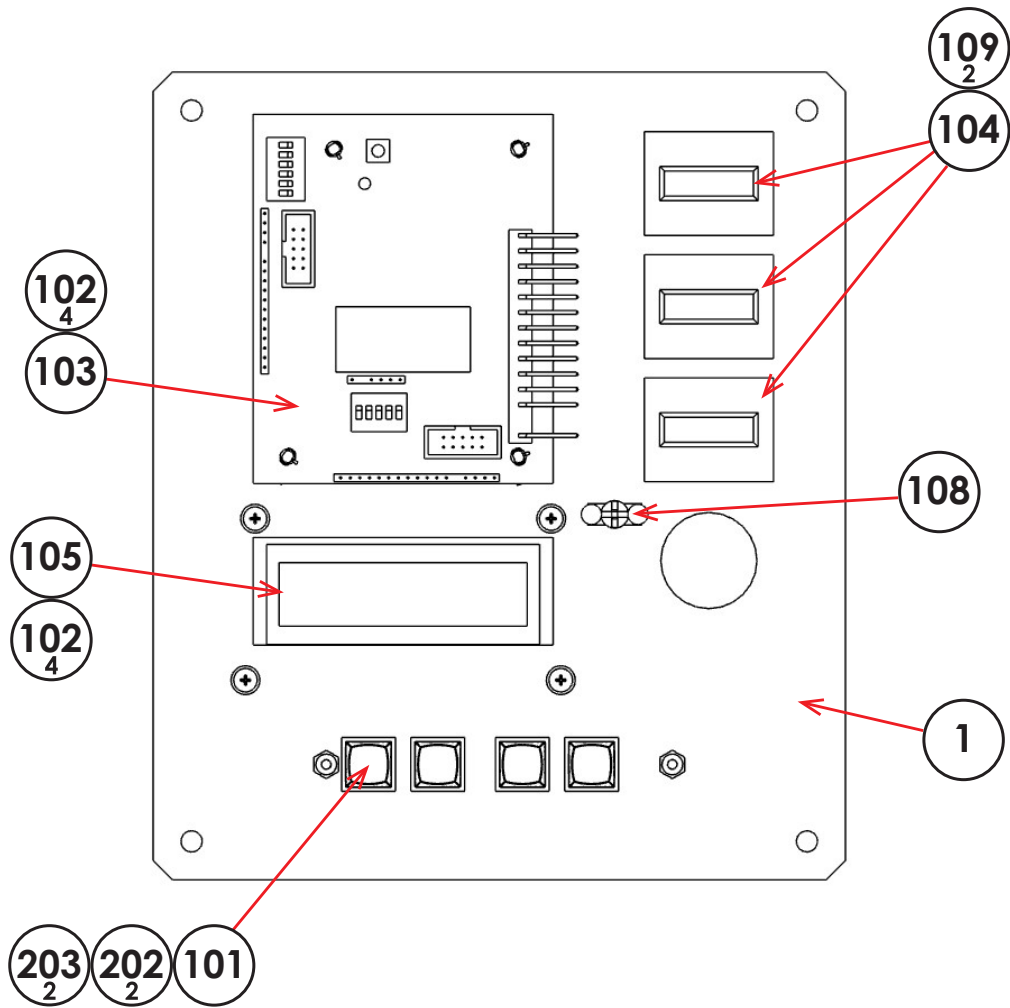


SA-1500UK		ASSY MID PANEL	
Level/Seq.No.	Component Part	Description	Number off
-----	-----	-----	-----
**1	SA-1501UK	PANEL MID	1
**2	SA-1502UK	HINGE MID PANEL	2
**3	SA-1503UK	BRKT MID PANEL FIXING	1
**4	SA-1504UK	CHANNEL HARNESS	1
**5	SA-1507UK	BRKT BALL GUIDE LH	1
**6	SA-1508UK	BRKT BALL GUIDE RH	1
**7	SA-1509UK	PLATE HARNESS COVER	1
**8	SA-1511UK	BRKT BALL PROTECT LH	1
**9	SA-1512UK	BRKT BALL PROTECT RH	1
**10	SA-0006UK	BRKT MID PANEL TRANSIT	2
**102	370-5173-01	PHOTO SENSOR OMT-15DJST-YL	1
**201	000-F00525	M5X25 MSCR CSK PAS	3
**202	029-B00512	M5X12 SKT BH PAS	21
**203	029-B00520-0B	M5X20 SKT BH BLK	4
**204	029-B00525	M5X25 SKT BH PAS	4
**205	050-F00400	M4 NUT FLG SER PAS	2
**206	060-F00500	M5 WSHR FORM A FLT PAS	25
**207	060-F00500-0B	M5 WSHR FORM A FLT BLK	4
**208	060-S00500	M5 WSHR SPR PAS	25
**209	060-S00500-0B	M5 WSHR SPR BLK	4
**210	050-U00300	M3 NYLOC NUT	2
**301	SA-60013UK	WH MID PANEL BRIDGE	1
**302	SA-60014UK	WH BALL SENSORS	1
**303	600-9100-44K	WH EARTH 100CM M4M4	3



ASSY SW UNIT (SA-1550UK)

1 PARTS LIST



SA-1550UK		ASSY SW UNIT	
Level/Seq.No.	Component Part	Description	Number off
***1	SA-1551UK	SW BRKT TRIPLE METER	1
***101	838-0058UK	DIGITAL SW VOL BOARD	1
***102	280-L00706-PM	STANDOFF 6.4L 4MM LCBS-5-4-01	8
***103	EP1380-01	BOARD EXCEL CREDIT	1
***104	220-5643UK	COIN METER SMALL 12V	3
***105	EP1531	LCD 2x16 W/HEADER IPIXEL 1602C2	1
***108	280-A01013-PM	ROUTER TWIST D10 SO12.7 PAN M	1
***109	OS1098	CRIMP BELL END SMALL	6
***110	OS1247	ALUMINIUM STICKY CLIP ASK-3	1
***111	601-0460	CABLE TIE NYLON 100MM	2
***202	029-B00308	M3X8 SKT BH PAS	2
***203	068-330808-PN	M3 WSHR 80D FLT NYLON	2
***301	SA-60022UK	WH SWITCH UNIT	1

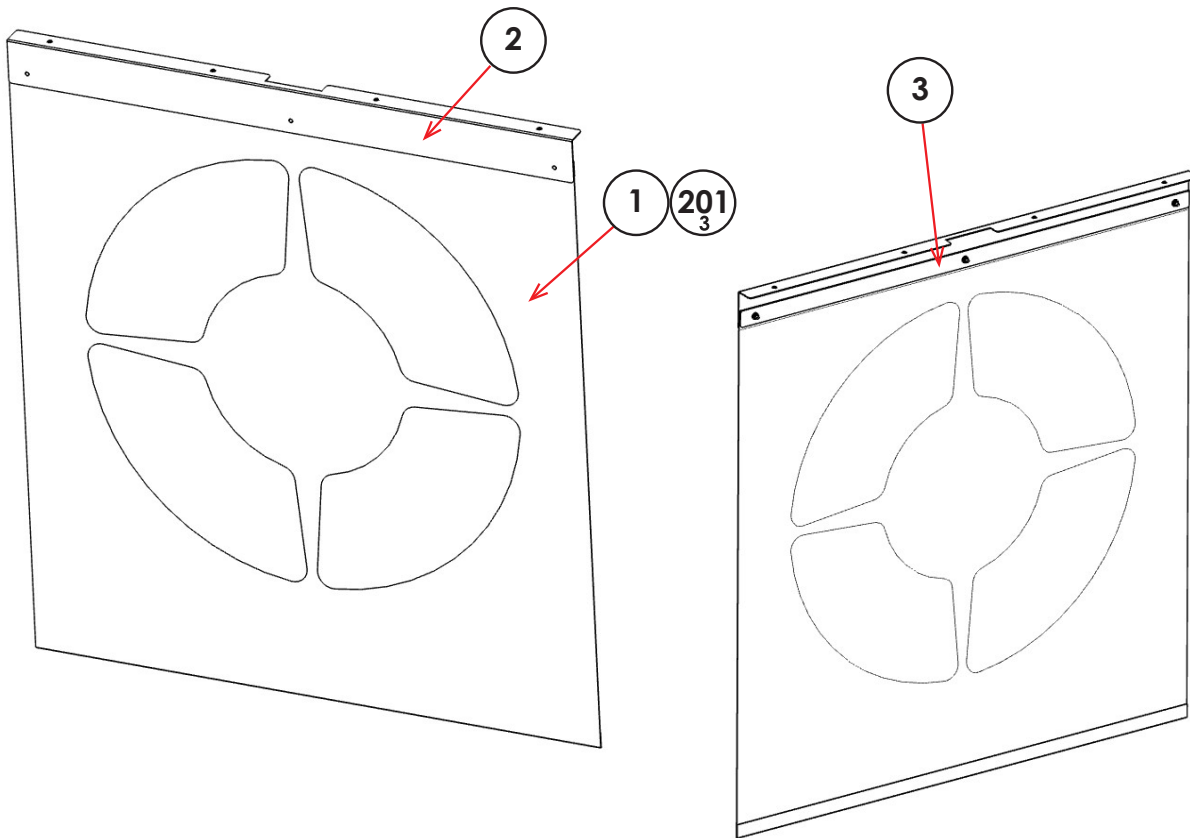




SA-2000UK		ASSY FEATURE CABINET	
Level/Seq.No.	Component Part	Description	Number off
-----	-----	-----	-----
**1	SA-1080UK	ASSY AC UNIT	1
**2	SND-1340UK	ASSY FAN	1
**3	SA-2020UK	ASSY TARGET BACKING	1
**4	SA-2100UK	ASSY PLAYFIELD	1
**6	SA-4100UK	ASSY PSU ELEC	1
**7	SA-4200UK	ASSY RED2 ELEC	1
**8	SA-2002UK	ASSY REAR CABINET	1
**9	SA-2003UK	BRKT MID PANEL SUPPORT	1
**12	SA-2008UK	BRKT PLAYFIELD SUPPORT	4
**15	SA-0004UK	BRKT SIDE PANEL LOWER	2
**17	SA-1011UK	BRKT SCORE ASSY LOCATING	2
**18	SA-2114UK	TRIM PLAYFIELD UPPER	1
**19	SA-2001UK	MOUNT PSU MW RS-15-5	1
**20	SA-2043UK	STICKER REAR CAB INNER CHEEK LH	1
**21	SA-2044UK	STICKER REAR CAB INNER CHEEK RH	1
**25	SA-1500UK	ASSY MID PANEL	1
**101	280-A01264-WX	ROUTER TWIST D12 SO6.4 WOOD XL	23
**102	400-015-005-03	PSU 5VDC 15W RSP-015-05	1
**201	029-B00425-0B	M4X25 SBT BH BLK	4
**202	029-B00516	M5X16 SKT BH PAS	16
**204	029-B00530	M5X30 SKT BH PAS	14
**206	050-F00500	M5 NUT FLG SER PAS	4
**208	060-F00400-0B	M4 WSHR FORM A FLT BLK	4
**209	060-F00500	M5 WSHR FORM A FLT PAS	24
**211	060-S00400-0B	M4 WSHR SPR BLK	8
**212	060-S00500	M5 WSHR SPR PAS	24
**214	068-531610	M5 WSHR 16OD FLT PAS	10
**215	029-B00520-0B	M5X20 SKT BH BLK	4
**216	060-S00500-0B	M5 WSHR SPR BLK	8
**217	068-531610-0B	M5 WSHR 16OD FLT BLK	4
**218	012-P03512-F	N6X1/2" S/TAP FLG PAS	2
**219	029-B00306	M3X6 SKT BH PAS	2
**220	060-F00300	M3 WSHR FORM A FLT PAS	2
**221	060-S00300	M3 WSHR SPR PAS	2
**222	029-B00530-0B	M5X30 SKT BH BLK	8
**301	SA-60005UK	WH IO DISTRIBUTION	1
**302	SA-60006UK	WH FEATURE CAB	1
**303	SA-60026UK	WH CHEAT SENSOR EXTENDER	1



ASSY TARGET BACKING (SA-2020UK)

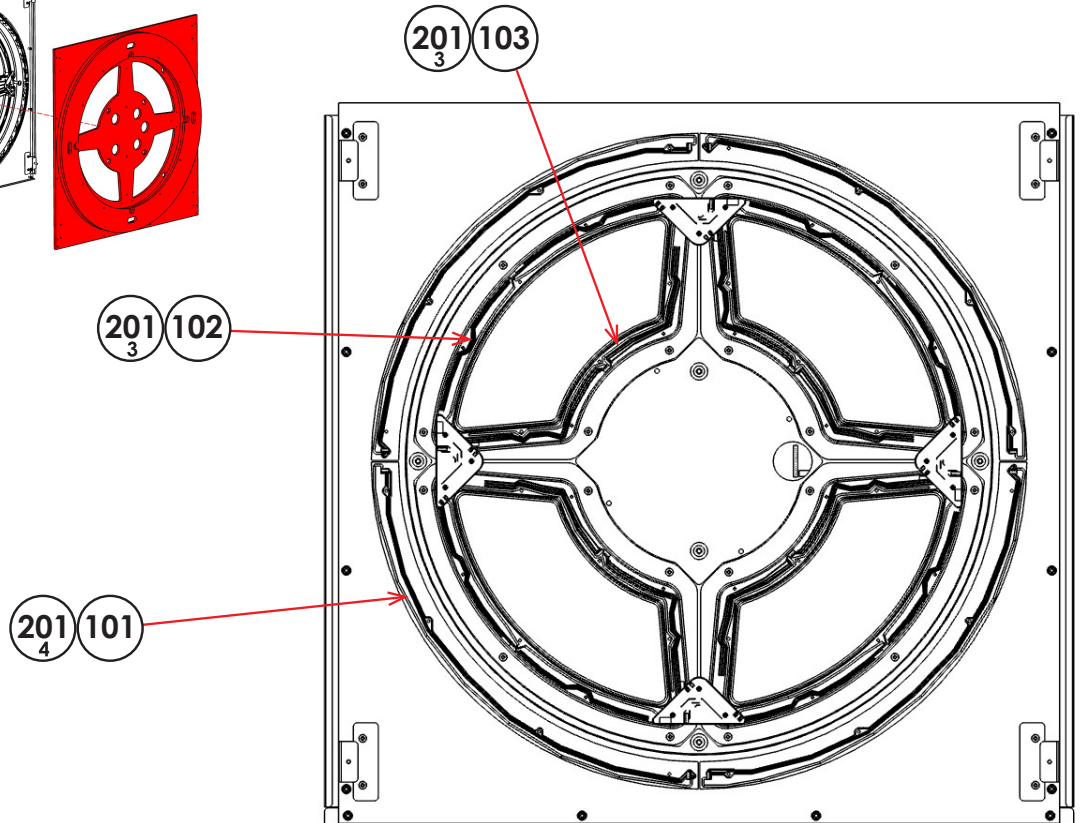
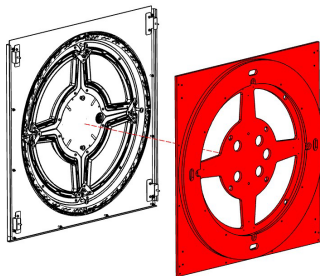
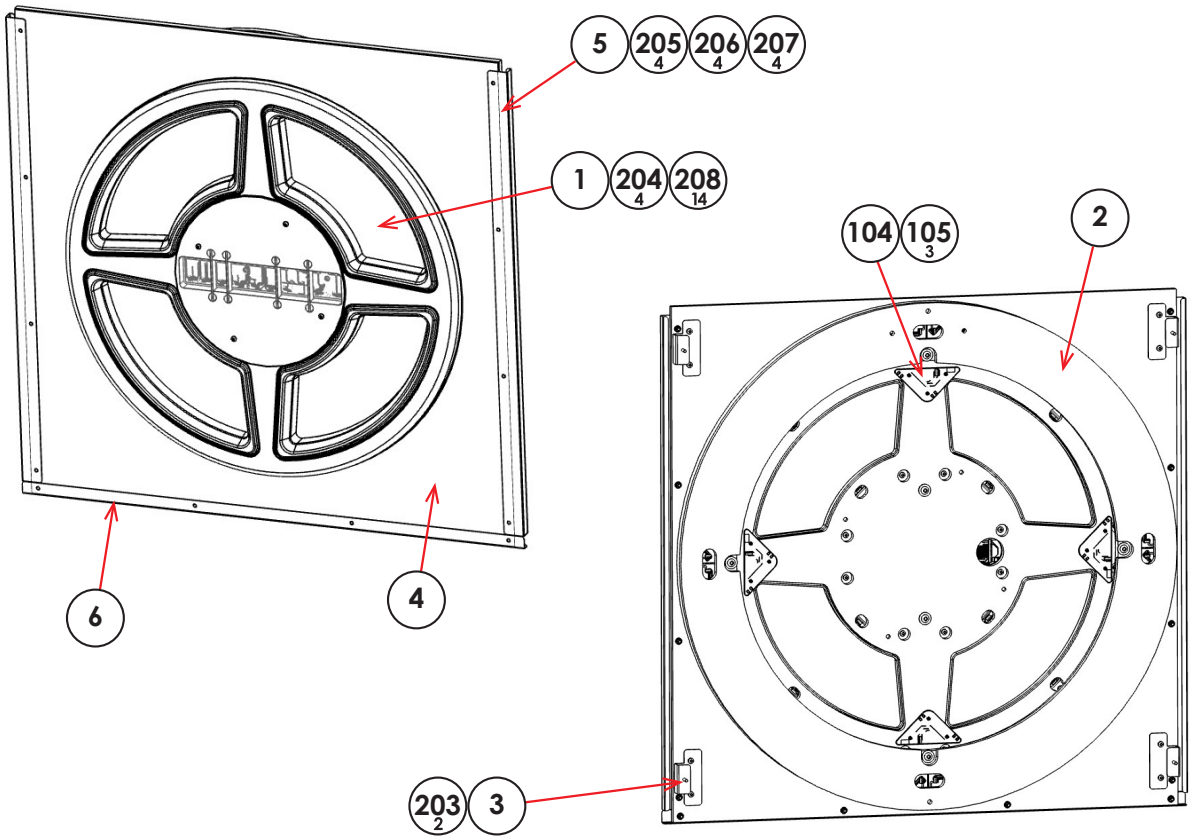


1 PARTS LIST

SA-2020UK		ASSY TARGET BACKING	
Level/Seq.No.	Component Part	Description	Number off
***1	SA-2021UK	DAMPER TARGET	1
***2	SA-2022UK	BRKT TARGET DAMPER	1
***3	SA-2024UK	PLATE DAMPER RETAIN	1
***201	050-F00500	M5 NUT FLG SER PAS	3



1 PARTS LIST

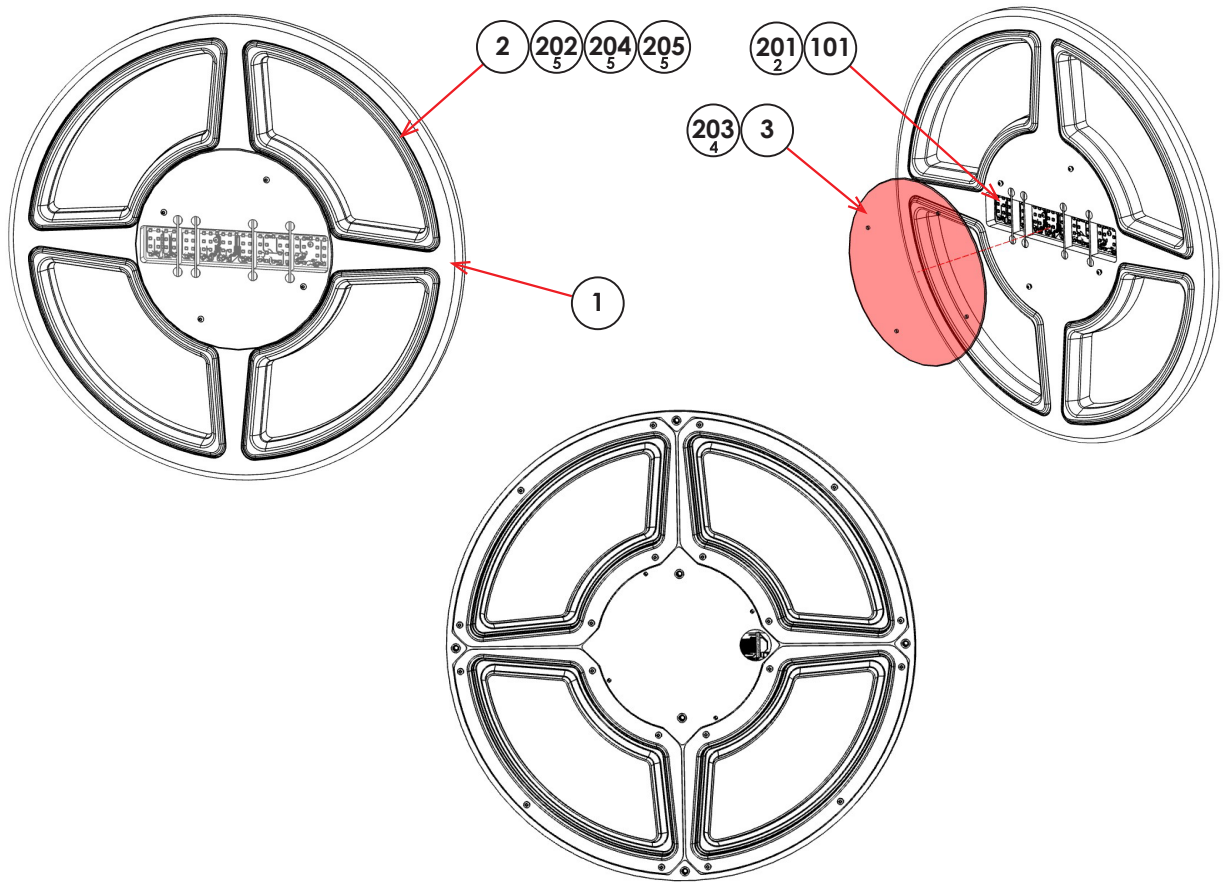


SA-2100UK		ASSY PLAYFIELD	
Level/Seq.No.	Component Part	Description	Number off
***1	SA-2130UK	ASSY FRONT QUADRANTS	1
***2	SA-2102UK	BASE PLAYFIELD	1
***3	SA-2103UK	BRKT PLAYFIELD MOUNT	4
***4	SA-2111UK	PLAYFIELD SURROUND	1
***5	SA-2112UK	TRIM PLAYFIELD SIDE	2
***6	SA-2113UK	TRIM PLAYFIELD LOWER	1
***7	SA-2104UK	COVER IR SENSOR	8
***8	SA-2105UK	CLIP COVER IR LOCK	8
***9	SA-2106UK	CLIP IR HARNESS	4
***101	838-0068UK	PCBA SA QUAD RGB LED	4
***102	838-0070UK	PCBA SA TARGET LED A	4
***103	838-0071UK	PCBA SA TARGET LED B	4
***104	838-0072UK	PCBA DUAL IR SENSOR	4
***105	280-0029UK	PCB SUPPORT 22L WOOD BHL-14-01	12
***201	012-P03506-F	N6X1/4" S/TAP FLG PAS	40
***203	029-B00516	M5X16 SKT BH PAS	8
***204	029-B00850	M8X50 SKT BH PAS	4
***205	050-F00500	M5 NUT FLG SER PAS	12
***206	068-531610	M5 WSHR 16OD FLT PAS	12
***208	068-852216	M8 WSHR 22OD FLT PAS	14
***209	029-B00825	M8X25 SKT BH PAS	2
***301	SA-60007UK	WH TARGET ZONE 1	1
***302	SA-60008UK	WH TARGET ZONE 2	2



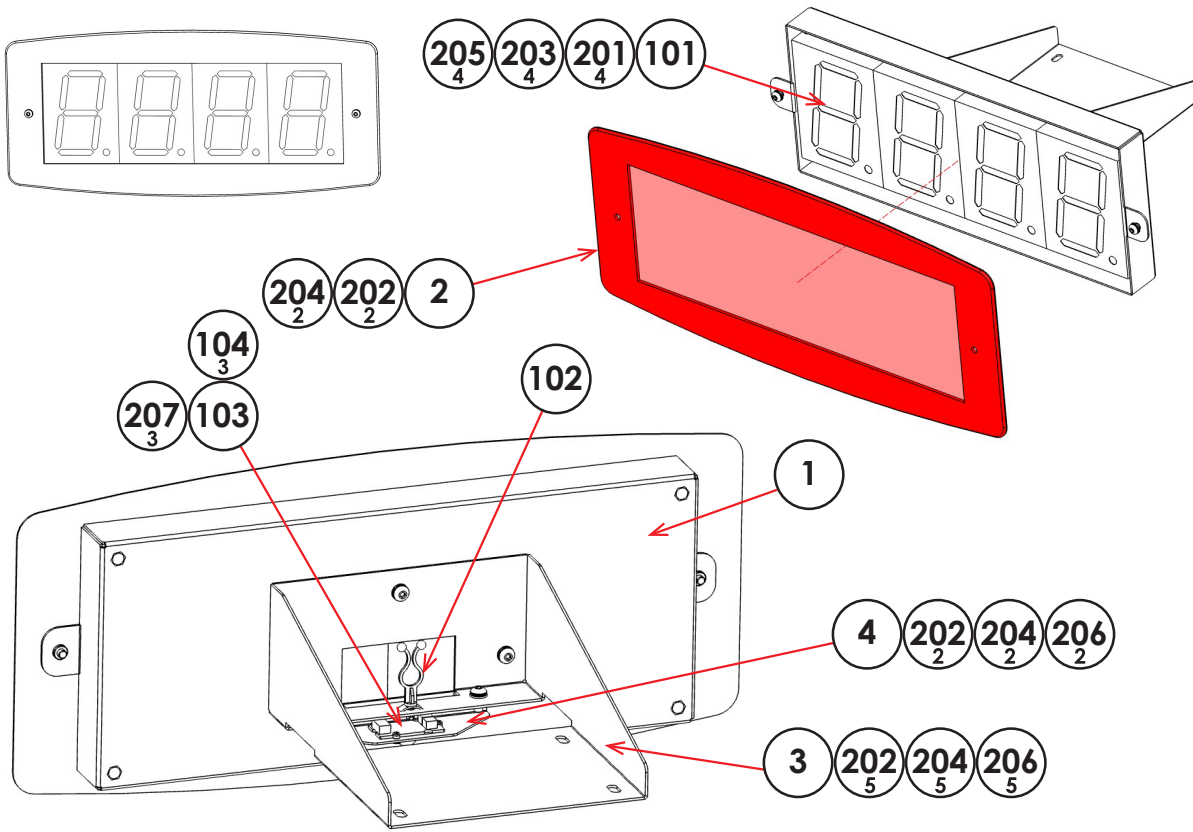
ASSY FRONT QUADRANTS (SA-2130UK)

PARTS LIST



SA-2130UK		ASSY FRONT QUADRANTS	
Level/Seq.No.	Component Part	Description	Number off
****1	SA-2132UK	BASE QUADRANTS	1
****2	SA-2133UK	VF QUADRANT	4
****3	SA-2141UK	COVER CENTRE	1
****101	838-0069UK	PCBA SA TEXT LED	1
****201	012-P03506-F	N6X1/4" S/TAP FLG PAS	2
****202	029-B00516	M5X16 SKT BH PAS	20
****203	029-B00512-OB	M5X12 SKT BH BLK	4
****204	060-F00500	M5 WSHR FORM A FLT PAS	20
****205	060-S00500	M5 WSHR SPR PAS	20

 **ASSY SUPER BONUS BOX (SA-3100UK)**



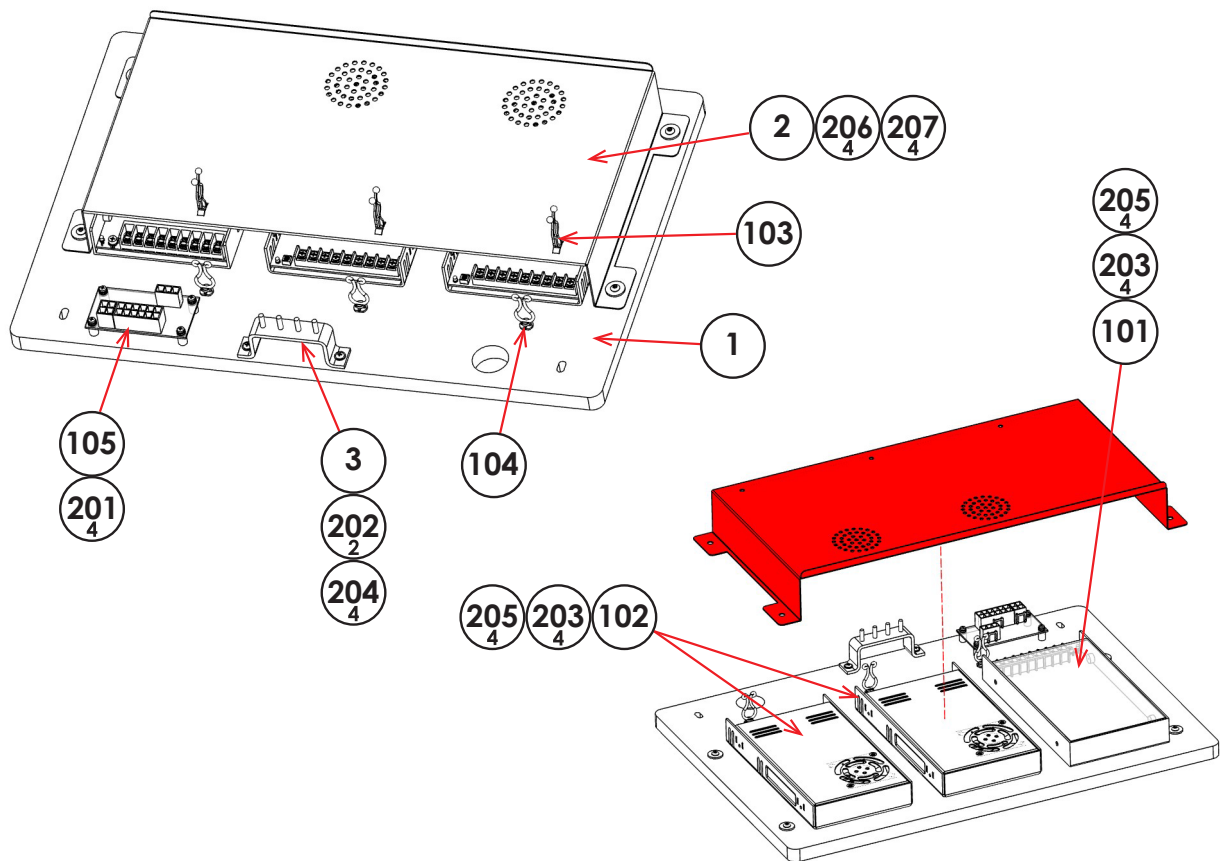
11 PARTS LIST

SA-3100UK		ASSY SUPER BONUS BOX	
Level/Seq.No.	Component Part	Description	Number off
***1	SA-3101UK	BOX LED DISPLAY MTG	1
***2	SA-3102UK	PANEL SUPER BONUS	1
***3	SA-3104UK	SUPPORT SUPER BONUS BOX	1
***4	SA-3108UK	SUPPORT PIR SENSOR	1
****101	838-0040UK	PCBA 4 DIGIT JACKPOT LED	1
****102	280-A01013-PM	ROUTER TWIST D10 SO12.7 PAN M	1
****103	EP1502UK	PIR SENSOR MODULE	1
****104	280-0005UK	HOLDER EDGE PCB SCREW MNT 6MM	3
****201	029-B00412	M4X12 SKT BH PAS	4
****202	029-B00512-0B	M5X12 SKT BH BLK	9
****203	060-F00400	M4 WSHR FORM A FLT PAS	4
****204	060-F00500-0B	M5 WSHR FORM A FLT BLK	9
****205	060-S00400	M4 WSHR SPR PAS	4
****206	060-S00500-0B	M5 WSHR SPR BLK	7
****208	012-P03506-F	N6X1/4"S/TAP FLG PAS	3
****301	SA-60012UK	WH BONUS 7 SEG	1
****302	SA-60027UK	WH CHEAT SENSOR	1



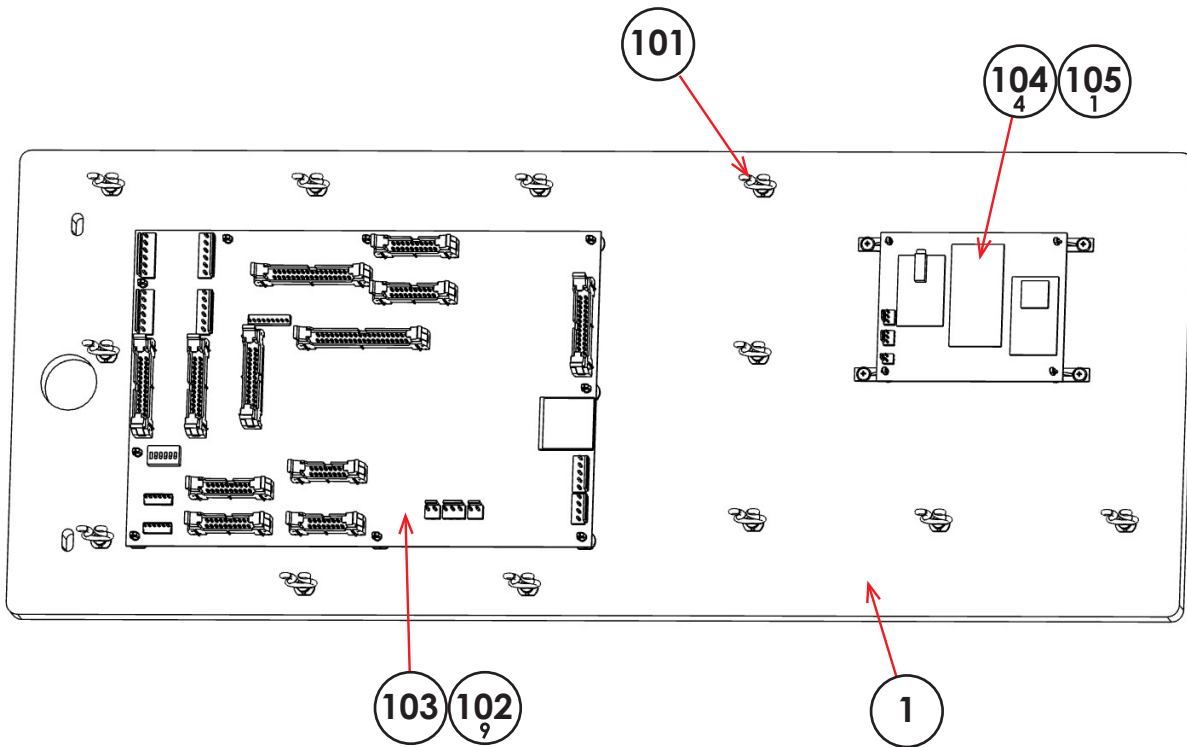
ASSY PSU ELEC (SA-4100UK)

1 PARTS LIST



SA-4100UK		ASSY PSU ELEC	
Level/Seq.No.	Component Part	Description	Number off
***1	SA-4101UK	BOARD PSU	1
***2	SA-4102UK	COVER EMC PSU BOARD	1
***3	CFB-4003-01UK	EARTH TERMINAL PLATE	1
***101	400-200-005-02	PSU 5VDC 200W RSP-200-05	1
***102	400-320-012-01	PSU 12VDC 320W RSP-320-12	2
***103	280-A01013-PM	ROUTER TWIST D10S012.7 PAN M	3
***104	280-A01264-WX	ROUTER TWIST D12 SO6.4 WOOD XL	3
***105	838-14551-02UK	DISTRIBUTION BD	1
***106	EP1401	FERRITE RING	2
***108	SAI-0011UK	BLANKING CAP VLP-04V	1
***201	012-P00325	N4X1" S/TAP PAN PAS	4
***202	012-P03512-F	N6X1/2" S/TAP FLG PAS	2
***203	029-B00416	M4X16 SKT BH PAS	12
***204	050-F00400	M4 NUT FLG SER PAS	4
***205	068-441616	M4 WSHR 16OD FLT PAS	12
***206	029-B00516	M5X16 SKT BH PAS	4
***207	068-531610	M5 WSHR 16OD FLT PAS	4
***301	SA-60001UK	WH AC DISTRIBUTION	1
***302	SA-60002UK	WH DC DISTRIBUTION	1
***303	SA-60028UK	WH 5V AUDIO POWER	1
***304	600-9040-44K	WIRE HARN EARTH 400MM M4/M4 K	1

 ASSY RED2 ELEC (SA-4200UK)

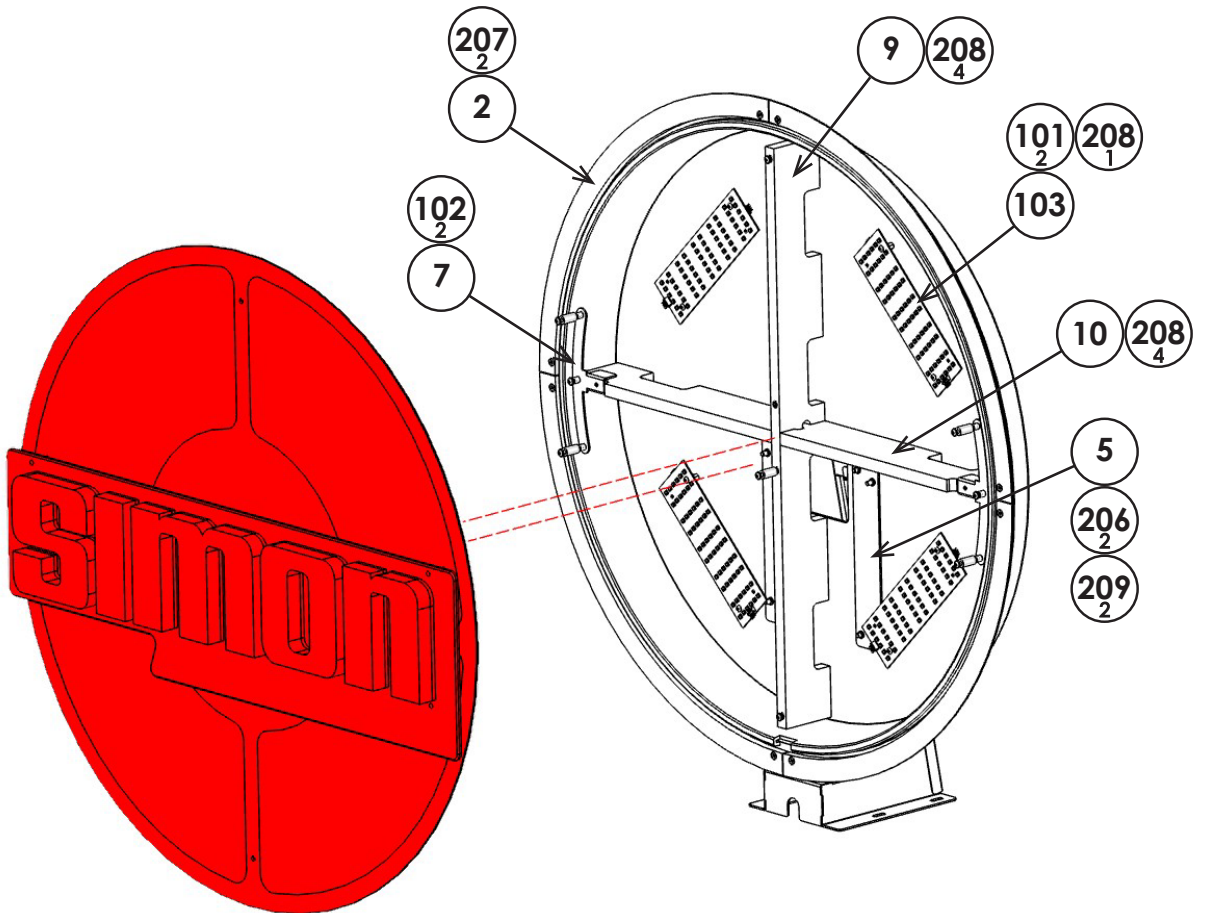
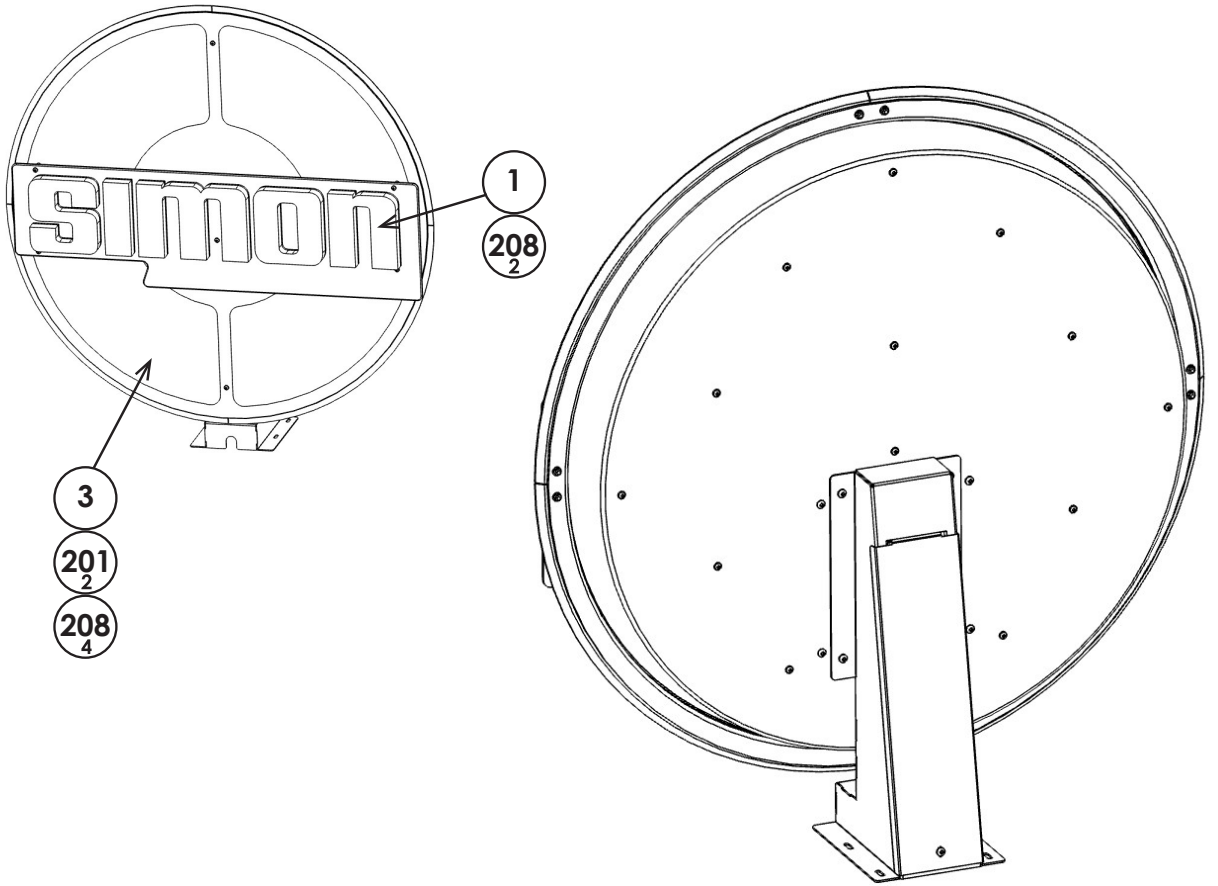


11 PARTS LIST

SA-4200UK		ASSY RED2 ELEC	
Level/Seq.No.	Component Part	Description	Number off
***1	SA-4201UK	BOARD ELEC	1
***101	280-A01264-WX	ROUTER TWIST D12 SO6.4 WOOD XL	12
***102	280-L00640-WX	STANDOFF 6MM WOOD XL	9
***103	838-0030UK	PCBA RED TWO	1
***104	838-0062UK	AUDIO BOARD HG2105	1
***105	OS1011	PCB FEET RICHCO LCBS-L-5-01	4
***106	EP1401	RING FERRITE	1
***107	EP1518	MICRO SD CARD 16GB	1
***108	EP1435	SD CARD 2GB	1
***201	012-PO3506-F	N6X1/4" S/TAP FLG PAS	4
***301	SA-60003UK	WH DC ELEC BOARD	1
***302	SA-60004UK	WH RED2	1
***303	SA-60025UK	WH RED2 CHEAT SENSOR	1



PARTS LIST



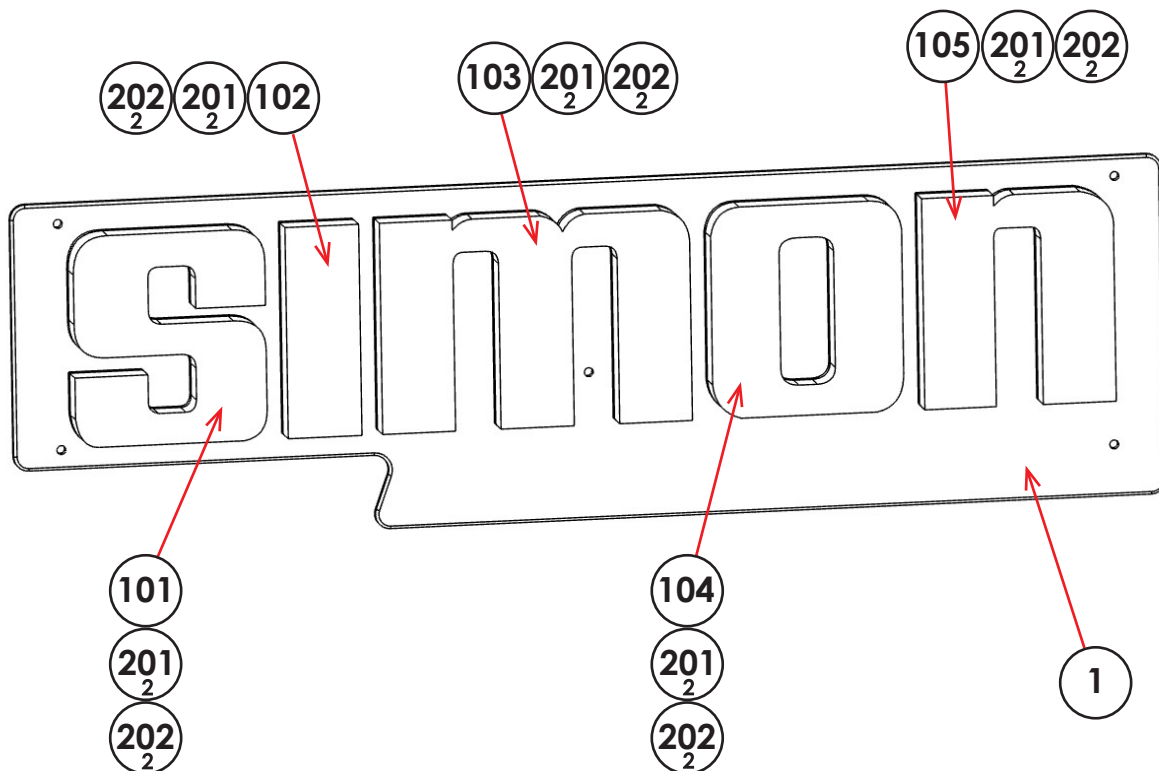


SA-5000-01UK		ASSY BILLBOARD VAC	
Level/Seq.No.	Component Part	Description	Number off
***1	SA-5100-01UK	ASSY NAMESTYLE VAC	1
***2	SA-5002UK	STRIP BILLBOARD HALO	4
***3	SA-5003-01UK	PANEL BILLBOARD VAC	1
***5	SA-5006UK	PLATE M5 NUT	2
***7	SA-5008UK	PLATE ARTWORK MOUNT	2
***8	SA-5009UK	BASE BILLBOARD VF	1
***9	SA-5011UK	SUPPORT ARTWORK A	1
***10	SA-5012UK	SUPPORT ARTWORK B	1
***101	280-0004UK	M4 SPACER HEX 7AFX 15L PAS	8
***102	280-0022UK	SPACER 10D 5.2ID 20L NYLON	5
***103	838-0052UK	PCBA LED RGB MATRIX M20050CB3LZ	4
***104	SAI-6101-2500UK	WH LED ASSY 2500MM	1
***105	SAI-6504-0450UK	WH LED ASSY 450MM	1
***106	OS1247	ALUMINIUM STICKY CLIP ASK-3	5
***107	601-0460	CABLE TIE NYLON 100MM	3
***201	000-F00420	M4X20 MSCR CSK PAS	8
***202	029-B00408-0B	M4X8 SKT BH BLK	16
***203	029-B00412-0B	M4X12 SKT BH BLK	13
***204	029-B00440-0B	M4X40 SKT BH BLK	5
***206	029-B00516-0B	M5X16 SKT BH BLK	5
***207	050-F00400	M4 NUT FLG SER PAS	8
***208	060-F00400-0B	M4 WSHR FORM A FLT BLK	24
***209	060-F00500-0B	FLT WSHR BLK M5	5
***301	SA-60011UK	WH BILLBOARD SEGMENTS	1
***302	SA-60023UK	WH BILLBOARD SIMON LINK	1

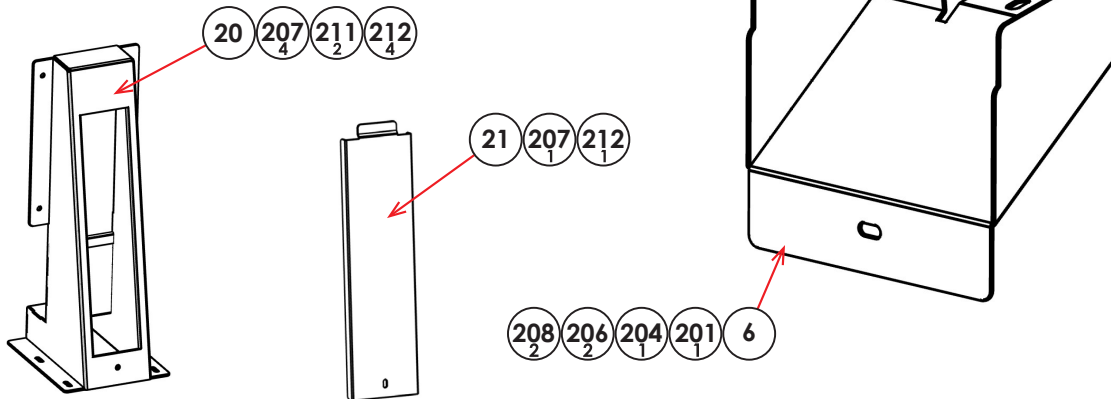
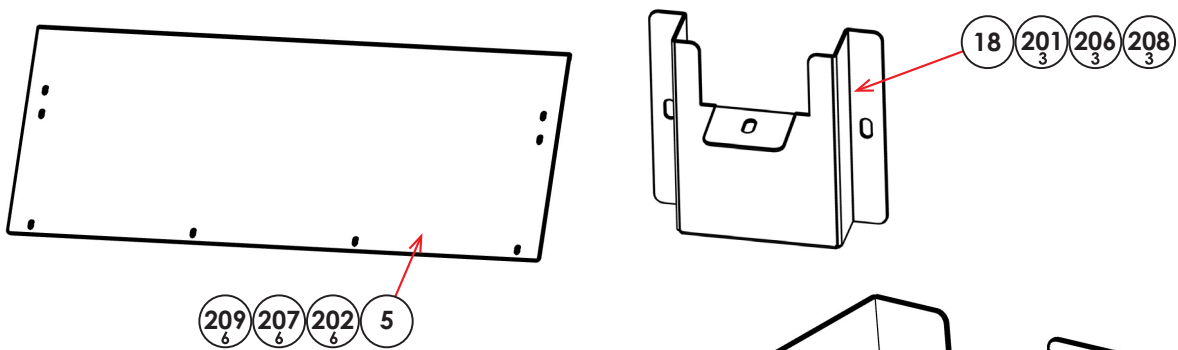
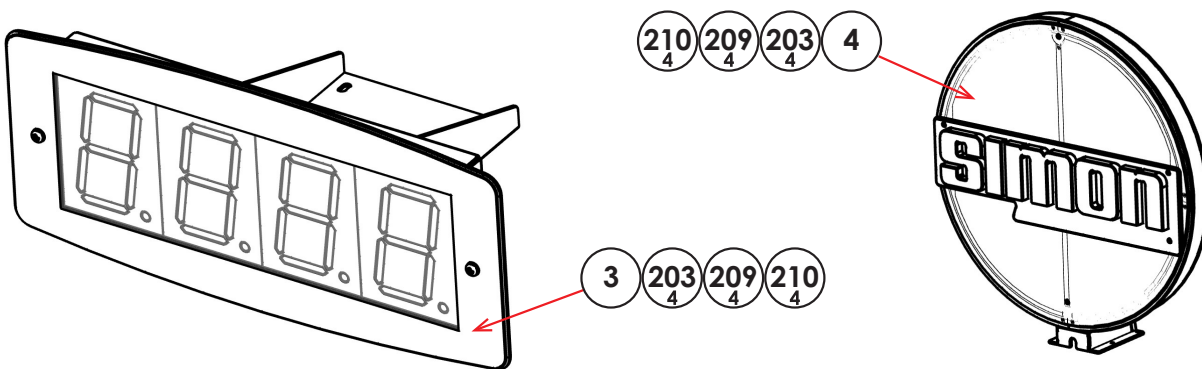
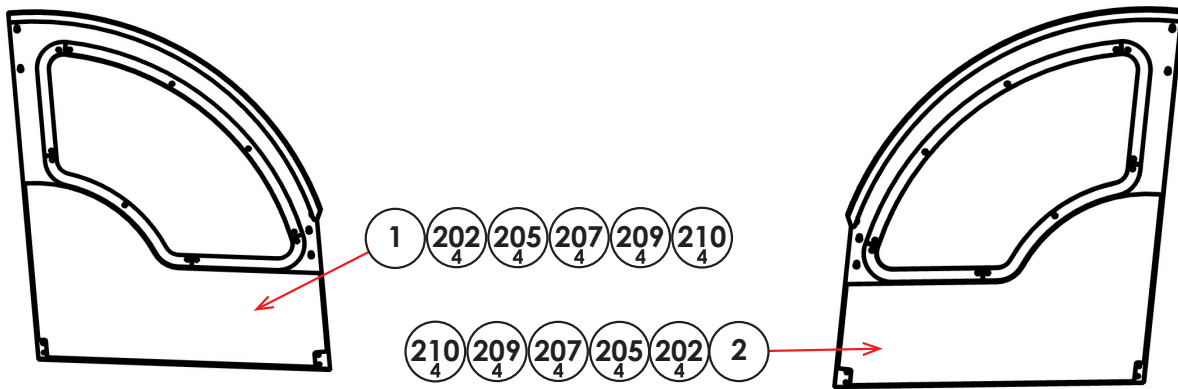


ASSY NAMESTYLE VAC (SA-5100-01UK)

1 PARTS LIST

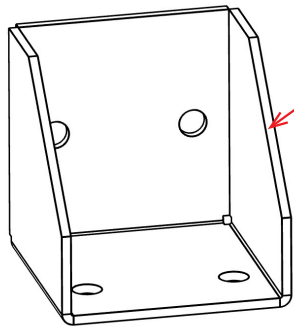


SA-5100-01UK	ASSY NAMESTYLE VAC		
Level/Seq.No.	Component Part	Description	Number off
****1	SA-5102-01UK	PANEL NAMESTYLE VAC	1
****101	SA-5101UK-S	ILLUMINATED LETTER S	1
****102	SA-5101UK-I	ILLUMINATED LETTER I	1
****103	SA-5101UK-M	ILLUMINATED LETTER M	1
****104	SA-5101UK-O	ILLUMINATED LETTER O	1
****105	SA-5101UK-N	ILLUMINATED LETTER N	1
****201	029-B00412	M4X12 SKT BH PAS	10
****202	060-F00400	M4 WSHR FORM A FLT PAS	10
****301	SA-60010UK	WH BILLBOARD SIMON	1



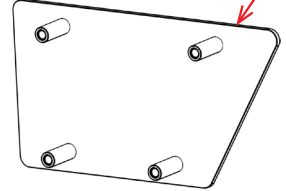
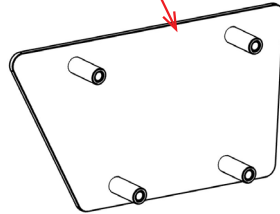


11 PARTS LIST

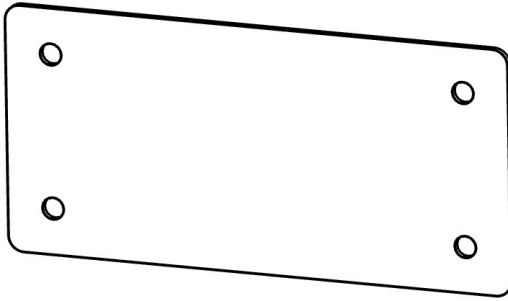


17 204₂ 206₂ 207₂

210₂ 209₂ 202₂ 10



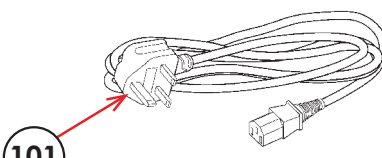
210₂
209₂
202₂
11



12 209₂ 210₂

POINTS	TICKS
1-250	10
251-500	20
501-750	30
751-1000	40
1001-1250	60
1251-1500	80

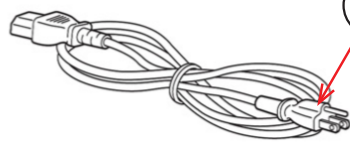
13



101

14

POINTS	TICKS
1-250	10
251-500	20
501-750	30
751-1000	40
1001-1250	70
1251-1500	100



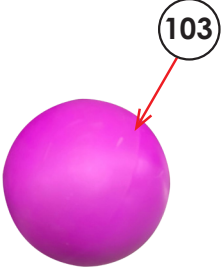
102

POINTS	TICKS
1-250	20
251-500	30
501-750	40
751-1000	60
1001-1250	100
1251-1500	150

15

16

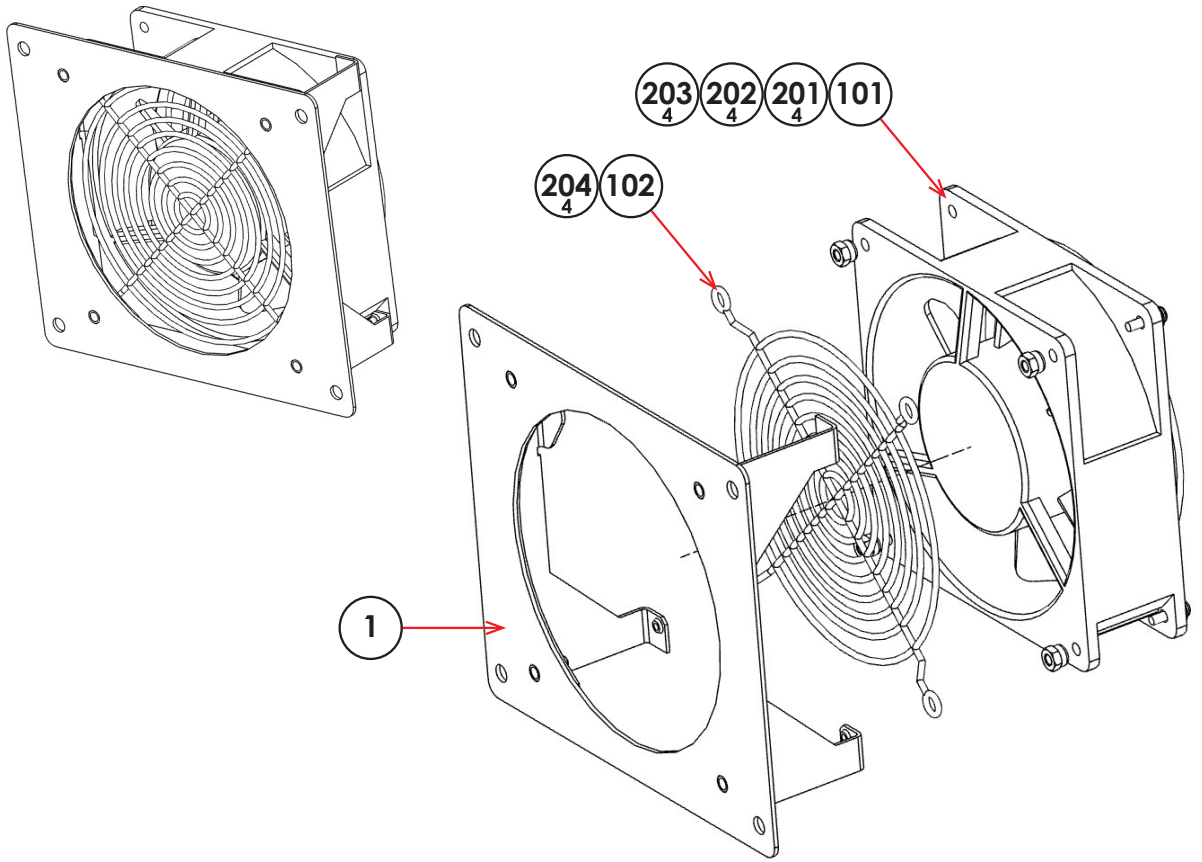
POINTS	TICKS
1-250	10
251-500	15
501-750	20
751-1000	30
1001-1250	50
1251-1500	70



103

SA-INST-STD		ASSY INST KIT SA STD	
Level/Seq.No.	Component Part	Description	Number off
-----	-----	-----	-----
**1	SA-1200UK	ASSY LH SIDE	1
**2	SA-1250UK	ASSY RH SIDE	1
**3	SA-3100UK	ASSY SUPER BONUS	1
**4	SA-5000-01UK	ASSY BILLBOARD VAC	1
**5	SA-1134UK	PLATE BALL SHIELD	1
**6	SA-1506UK	COVER HARNESS FRONT	1
**10	SA-0001UK	BRKT SIDE PANEL FRONT LH	1
**11	SA-0002UK	BRKT SIDE PANEL FRONT RH	1
**12	SA-0003UK	BRKT SIDE PANEL REAR	2
**13	SA-1044UK-02	AWARD 30-80 INSERT	1
**14	SA-1044UK-03	AWARD 30-100 INSERT	1
**15	SA-1044UK-04	AWARD 40-150 INSERT	1
**16	SA-1044UK-01	AWARD 20-70 INSERT	1
**17	SA-0004UK	BRKT SIDE PANEL LOWER	2
**18	SA-0012UK	COVER HARNESS REAR	1
**19	SA-1044UK-PFF	AWARD PFF	1
**20	SA-5004UK	BRKT BILLBOARD	1
**21	SA-5007UK	PLATE ACCESS	1
**101	LM1227	UK MAINS LEAD 10A WITH PLUG	1
**102	LM1246	EUROLEAD 10A EUROPEAN SOCKET	1
**103	253-0016UK	BALL 70MM PURPLE SOFT	24
**104	253-0017UK	PLUG ROUND PLASTIC 25MM	2
**105	OS1258	PROTECTOR U-SHAPED FOAM CORNER	2
**201	029-B00512	M5X12 SKT BH PAS	4
**202	029-B00512-0B	M5X12 SKT BH BLK	18
**203	029-B00520-0B	M5X20 SKT BH BLK	12
**204	029-B00530	M5X30SKT BH PAS	5
**205	029-B00530-0B	M5X30 SKT BH BLK	8
**206	060-F00500	M5 WSHR FORM A FLT PAS	9
**207	060-F00500-0B	M5 WSHR FORM A FLT BLK	27
**208	060-S00500	M5 WSHR SPR PAS	5
**209	060-S00500-0B	M5 WSHR SPR BLK	34
**210	068-531610-0B	M5 WSHR 16OD FLT BLK	24
**211	050-F00400	M4 NUT FLG SER PAS	2
**212	029-B00516-0B	M5X16 SKT BH BLK	5
**402	420-0042UK	MANUAL SIMON ARCADE	1

① ASSY FAN (SND-1340UK)



SND-1340UK		ASSY FAN	
Level/Seq.No.	Component Part	Description	Number off
***1	SND-1341UK	BRKT FAN MTG	1
***101	260-0012-01UK	FAN DC 12V AXIAL	1
***102	FN1012	FAN GUARD METAL 120MM (FG-12)	2
***201	O20-B00316-0B	M3X16 SKT BH BLK	4
***202	O60-S00300-0B	M3 WSHR SPR BLK	4
***203	O60-F00300-0B	M3 WSHR FORM A FLT BLK	4
***204	O50-U00400	M4 NUT NYLOK PAS	4
***205	O50-F00300	M3 NUT FLG SER PAS	1
***206	OS1098	CRIMP BELL END SMALL 534-907	1
***301	DB-60030UK	WH LED WHT	1