



SIMON ARCADE

INSTALL GUIDE

# INSTALL GUIDE

## IMPORTANT

- Before using this product, read this Manual carefully to understand the contents herein stated
- After reading this Manual, be sure to keep it near the product or in a convenient place for easy reference when necessary

**SEGA AMUSEMENTS INTERNATIONAL LTD.**

42 Barwell Business Park, Leatherhead Road  
Chessington, Surrey  
KT9 2NY  
United Kingdom

Telephone: +44 (0) 208 391 8090    Facsimile: +44 (0) 208 391 8099  
Email: [sales@segaarcade.com](mailto:sales@segaarcade.com)    Web: <http://www.segaarcade.com>

© Kaizen Entertainment

**Errors & Omissions Excepted (E&OE)**

# INTRODUCTION

This Guide is intended to provide detailed descriptions together with all necessary information covering the general set up and operation of the product:

"SIMON ARCADE"

This Guide is intended for the owners, personnel, and managers in charge of operation of this product. Operate the product after carefully reading and sufficiently understanding the instructions.

In the unlikely event that the product does not function correctly, **DO NOT** allow anyone other than a technician to touch the internal system. Turn off the power to the machine, making sure to unplug the electrical cord from the outlet, and contact the office listed below or the point-of-purchase for this product.

Use of this product is unlikely to cause physical injuries or damage to property. However, points that require special attention are indicated by bold text, the words "**STOP**", "**IMPORTANT**" or "**CAUTION**" and the symbols below.



## IMPORTANT!

INDICATES IMPORTANT INFORMATION THAT, IF IGNORED, MAY RESULT IN THE MISHANDLING OF THE PRODUCT AND CAUSE FAULTY OPERATION OR DAMAGE TO THE PRODUCT



## CAUTION



## WARNING

INDICATES A WARNING OR CAUTION THAT, IF IGNORED, MAY RESULT IN THE MISHANDLING OF THE PRODUCT AND CAUSE FAULTY OPERATION OR DAMAGE TO THE PRODUCT

42 Barwell Business Park, Leatherhead Road, Chessington, Surrey, KT9 2NY, United Kingdom



**European Sales:** +44 (0)208 391 8090

**USA Sales:** +00 (1) 224 265 4287

**STS (Spares):** +44 (0) 208 391 8060 (Option 1)

**Tech Support:** +44 (0)208 391 8060 (Option 2)

**Prize & Merchandise:** +44 (0)208 391 8060 (Option 1)

**Email:** sales@segaarcade.com

**Email:** sales@segaarcade.com

**Email:** stssales@segaarcade.com

**Email:** technical@segaarcade.com

**Email:** segaprize@segaarcade.com

**Web:** <http://www.segaarcade.com>

## INSPECTIONS AFTER TRANSPORTING THE PRODUCT TO THE LOCATION

Please ensure that you check the game prior to installation for any transit damage. Key areas are Cabinet damage, damage to castors and crushed harnesses/connectors:

- Are there any dented portions or defects (cuts, etc.) on the external surfaces of the Cabinet?
- Are Castors and Adjusters damaged?
- Do the Power Supply Voltage and Frequency requirements meet with those of the location?
- Are all wiring connectors correctly and securely connected? Unless connected in the correct way, connector connections can not be made accurately. Do not insert connectors forcibly.
- Do Power Cables have cuts/dents?
- Are all accessories available?
- Can all Doors and Lids be opened with the Accessory Keys? Can Doors and Lids be firmly closed?



## IMPORTANT!

**THIS IS NOT A FULL GUIDE. ALWAYS REFER TO THE FULL SERVICE MANUAL FOR THIS PRODUCT FOR A FULL OVERVIEW OF ALL ASPECTS OF THE CABINET**

**Scan the QR Code below to access the Full Service Manual**



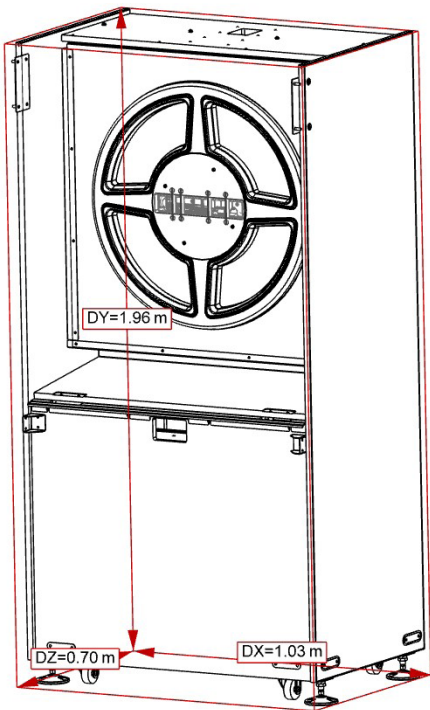
## SPECIFICATIONS

### Standard Cabinet

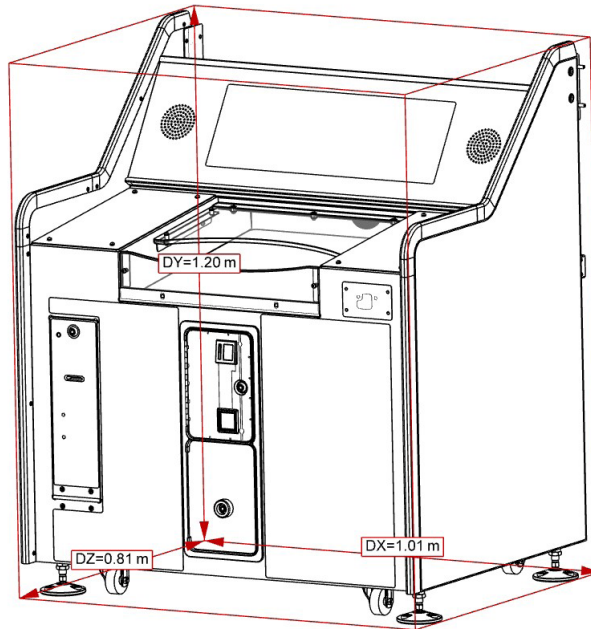
<b>Machine Dimensions:</b>	1.03m (40.6in) [Width] x 2.4m (94.5in) [Depth]
<b>Machine Height:</b>	2.82m (111in) (Installed)
<b>Machine Weight:</b>	264kg Approx (582lbs)
<b>Power, maximum current:</b>	-320w-
<b>Rating:</b>	110-240VAC @ 50/60Hz
<b>Fuse Rating:</b>	3.15A (UK/EU) 5A (US)

## INDIVIDUAL SPECIFICATIONS

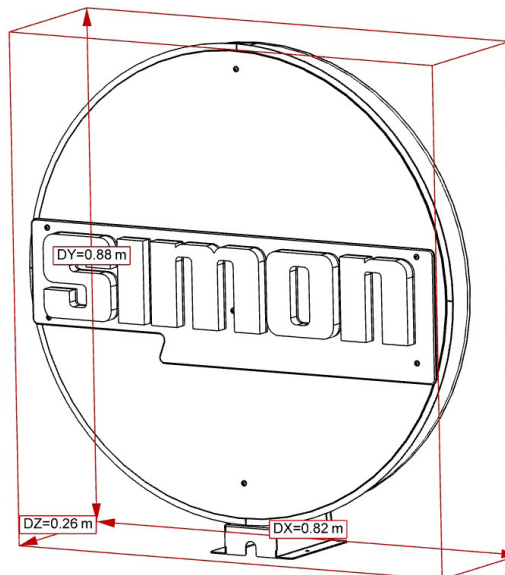
### Feature Cabinet



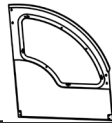
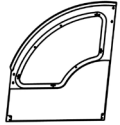
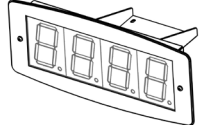

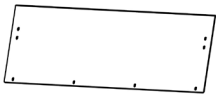
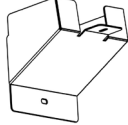
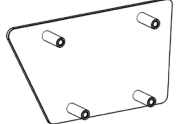
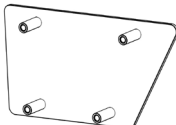

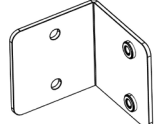
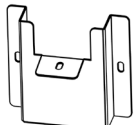

### Control Cabinet


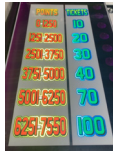

















### Billboard



## INSTALLATION

Designation	Part Number	Part Description	Image	QTY
**1	SA-1200UK	ASSY LH SIDE		1
**2	SA-1250UK	ASSY RH SIDE		1
**3	SA-3100UK	ASSY SUPER BONUS		1
**4	SA-5000UK	ASSY BILLBOARD		1
**5	SA-1134UK	PLATE BALL SHIELD		1
**6	SA-1506UK	COVER HARNESS FRONT		1
**10	SA-0001UK	BRKT SIDE PANEL FRONT LH		1
**11	SA-0002UK	BRKT SIDE PANEL FRONT RH		1
**12	SA-0003UK	BRKT SIDE PANEL REAR		2
**17	SA-0004UK	BRKT SIDE PANEL LOWER		2
**18	SA-0012UK	COVER HARNESS REAR		1
**20 + **21	SA-5004UK/ SA-5007UK	BRKT BILLBOARD/PLATE ACCESS		1 EA

Designation	Part Number	Part Description	Image	QTY
**13	SA-1044UK-02	AWARD 30-80 INSERT		1
**14	SA-1044UK-03	AWARD 30-100 INSERT		1
**15	SA-1044UK-04	AWARD 40-150 INSERT		1
**16	SA-1044UK-05	AWARD 50-200 INSERT		1
**103	253-0016UK	BALL 70MM PURPLE SOFT		24

Designation	Fixing/Washer/Nut Description	Image	QTY
**201	M5X12 SKT BH PAS		4
**202	M5X12 SKT BH BLK		18
**203	M5X20 SKT BH BLK		12
**204	M5X30SKT BH PAS		5
**205	M5X30 SKT BH BLK		8
**206	M5 WSHR FORM A FLT PAS		9
**207	M5 WSHR FORM A FLT BLK		27
**208	M5 WSHR SPR PAS		5
**209	M5 WSHR SPR BLK		34
**210	M5 WSHR 16OD FLT BLK		24
**211	M4 NUT FLG SER PAS		2
**212	M5X16 SKT BH BLK		5

## 1 - UNPACKING THE CABINETS

### TOOL LIST

3mm Hex Screwdriver



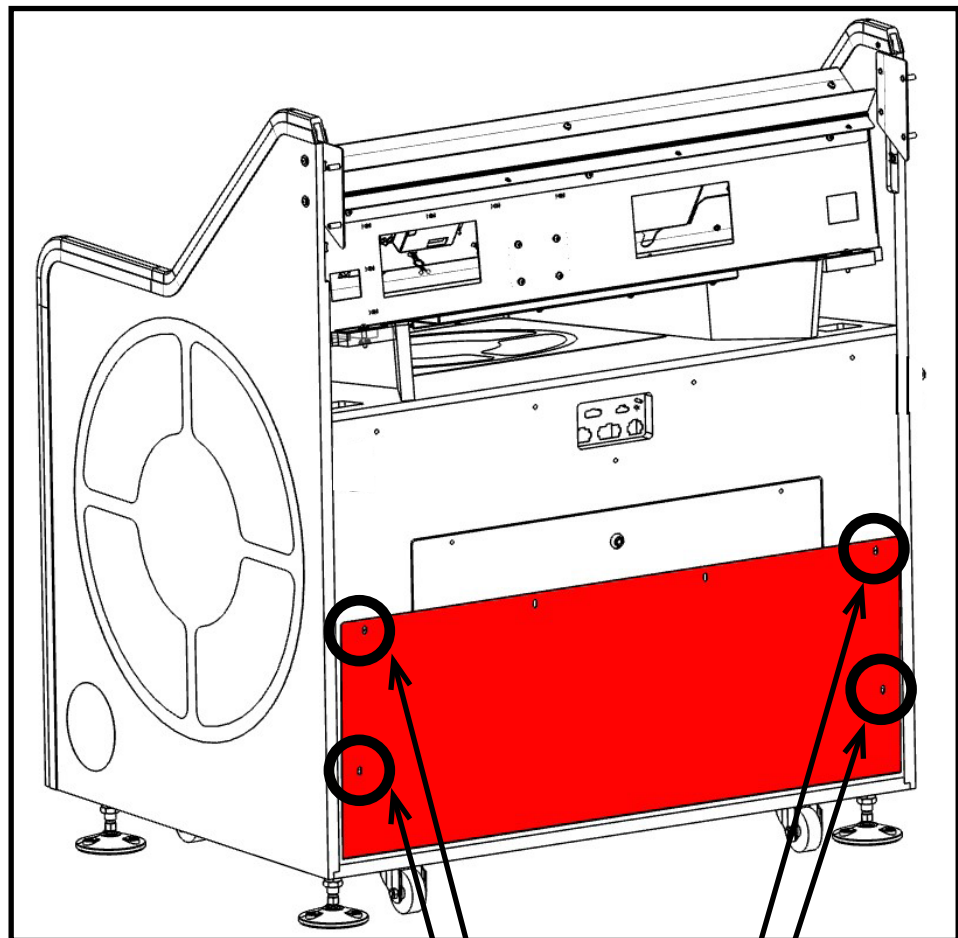
Phillips Screwdriver



**1** Remove **PART 5** from the Control Cab

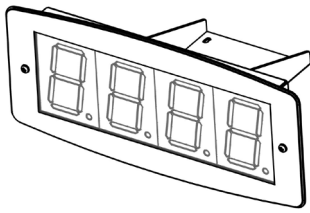
**STOP** **IMPORTANT!**

**DO NOT DISCARD PART 5 - IT IS REQUIRED FOR INSTALLATION IN STEP 4-6**

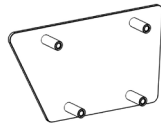


Remove 4 x M5 fixings  
to remove PART 5

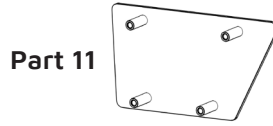
## 2 Remove Control Cab Rear Door and remove **all installation parts from inside the Control Cab**



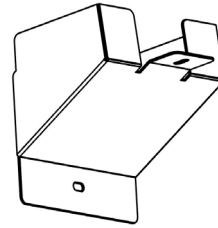
Part 3  
(remove 2 x self-tapping screws)



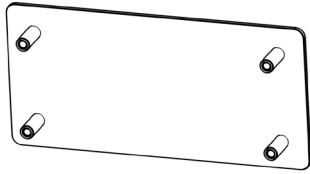
Part 10



Part 11

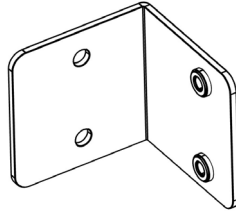


Part 6



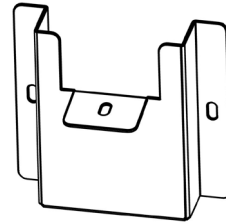
x2

Part 12



x2

Part 17

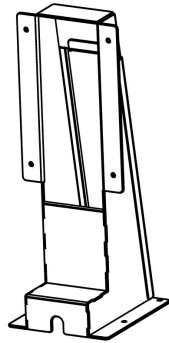


Part 18



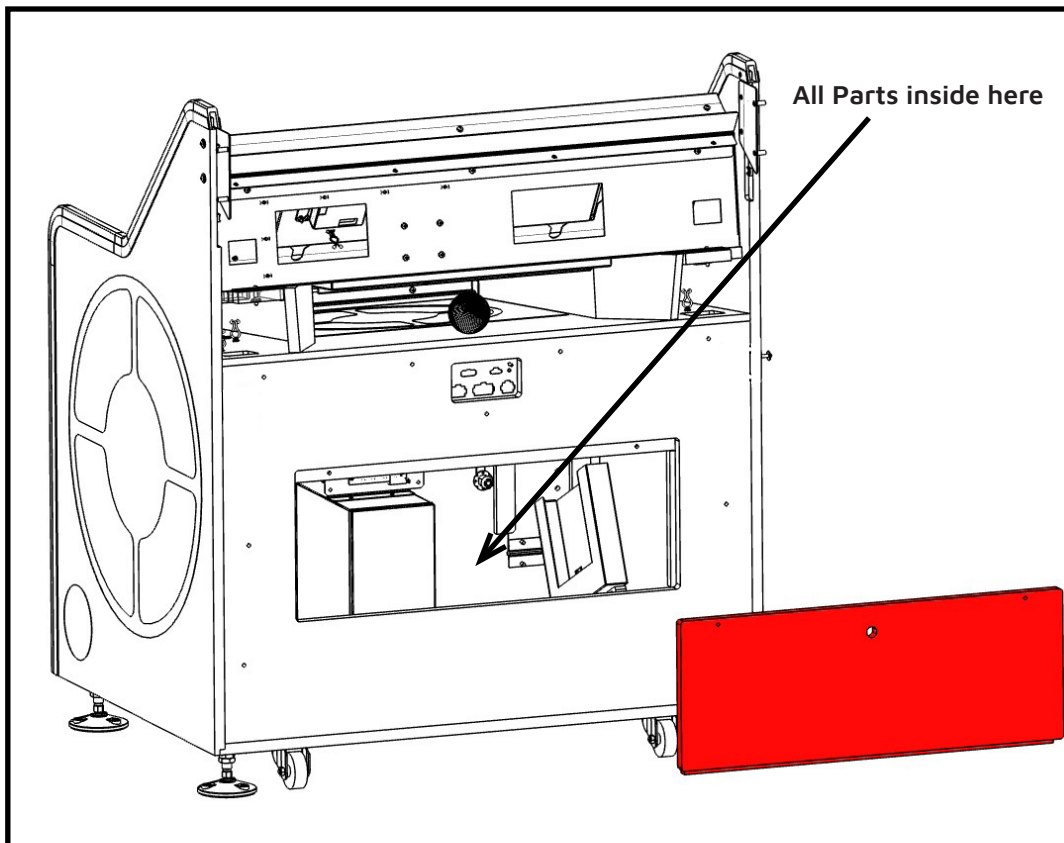
x24

Part 103



Billboard Bracket  
(remove 2 x self-tapping screws)

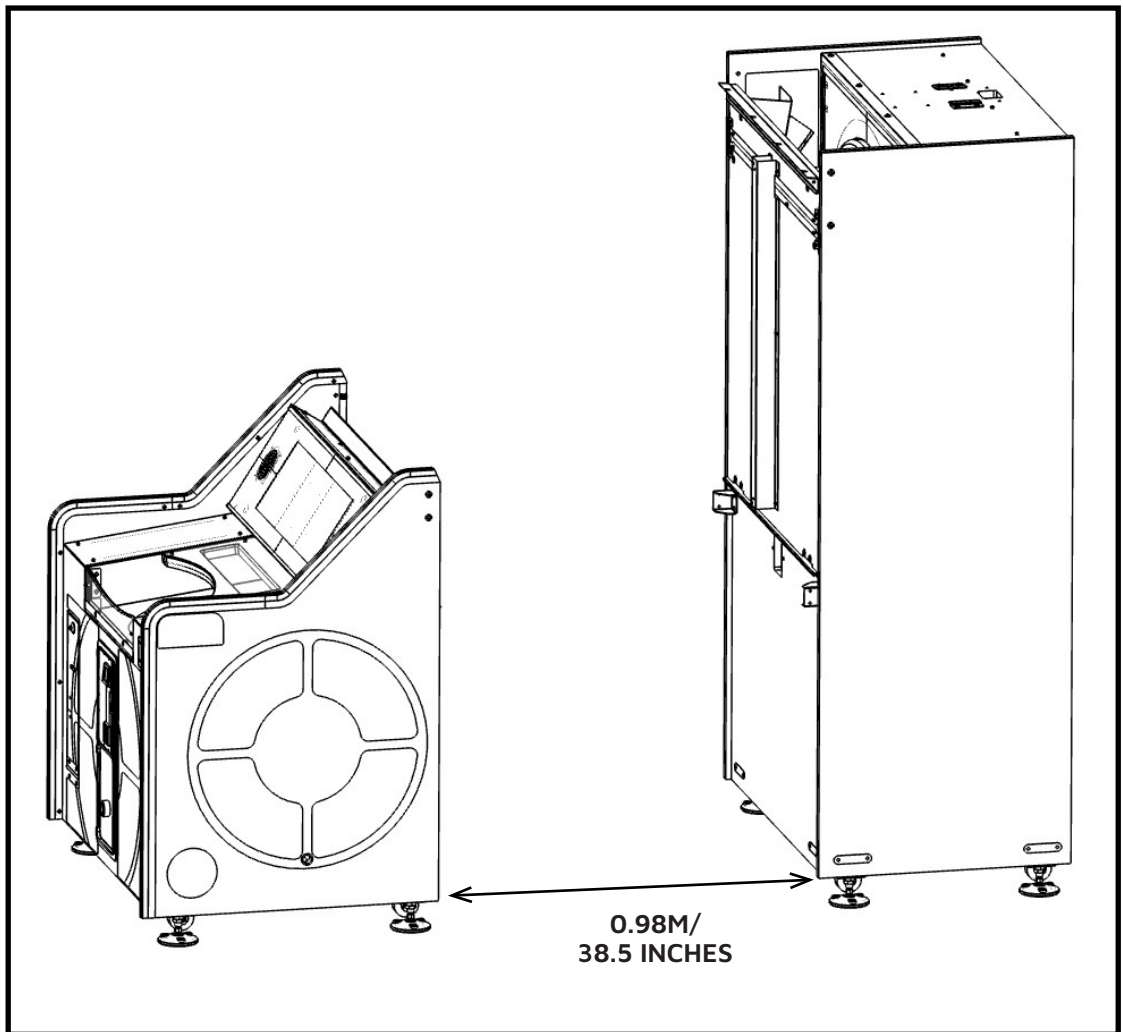
Parts 20 + 21



All Parts inside here

## 2 - CONNECTING THE CABINETS

- 1 Align the Control Cab with the Feature Cab



## 2 Apply 2 x PART 17 to the Control Cab using 4 x M5X30 + 4 x M5 FLAT WASHERS

### FIXING(S) USED

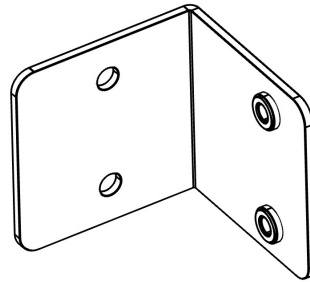


4 x M5X30 (2 per Bracket)



4 x M5 FLAT WASHER  
(2 per Bracket)

### PART(S) USED

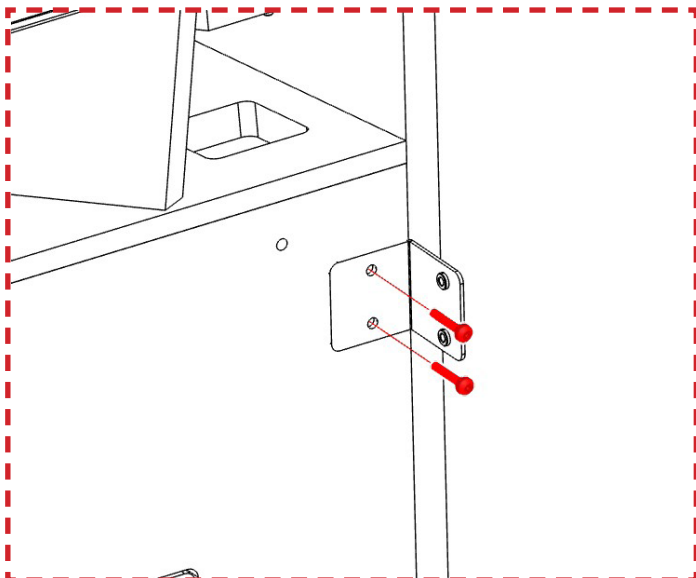
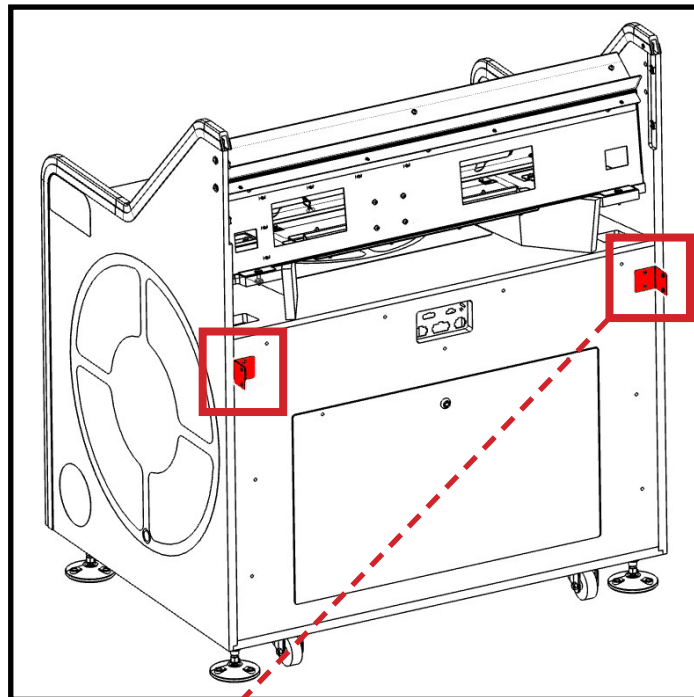


PART 17

## TAILS' TOP TIP!



Don't tighten these brackets fully. Leave them a bit loose to make it easier to install the Side Panels, then tighten them after



# **STOP** IMPORTANT!

REMOVING THE 2 FIXINGS IN THIS STEP WILL CAUSE THE MID PANEL TO BECOME LOOSE. ENSURE TO PERFORM THESE STEPS USING AT LEAST 2 PEOPLE AND SUPPORT THE MID PANEL WHEN REMOVING THE 2 FIXINGS

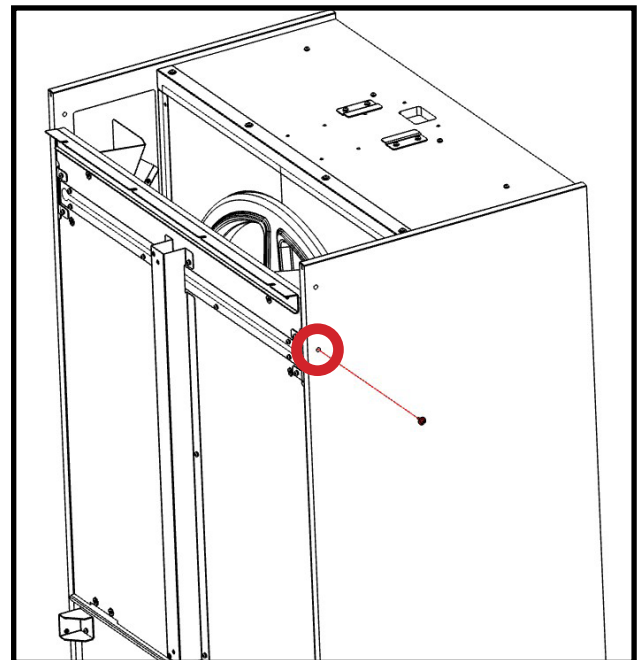
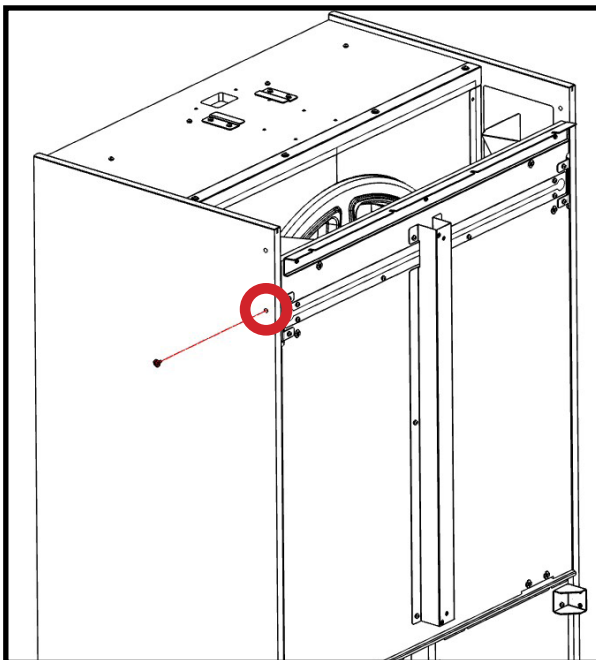
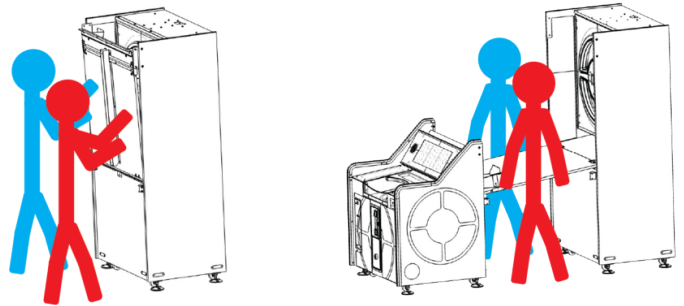
**3** Remove 2 x M5 fixings (1 each side) to release the Mid Panel

**SAFETY REQUIREMENTS**

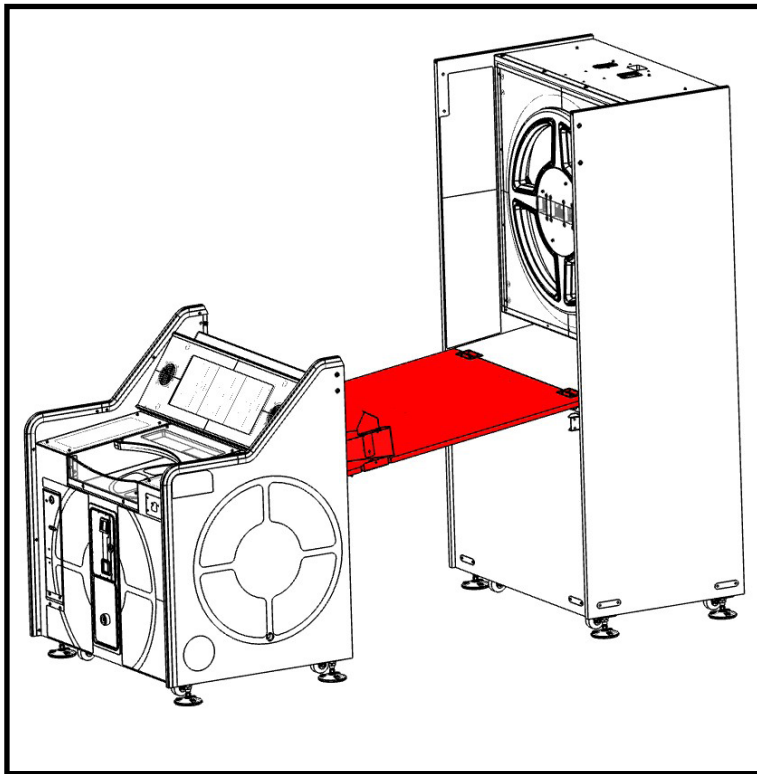


**2 PEOPLE MINIMUM REQUIRED**

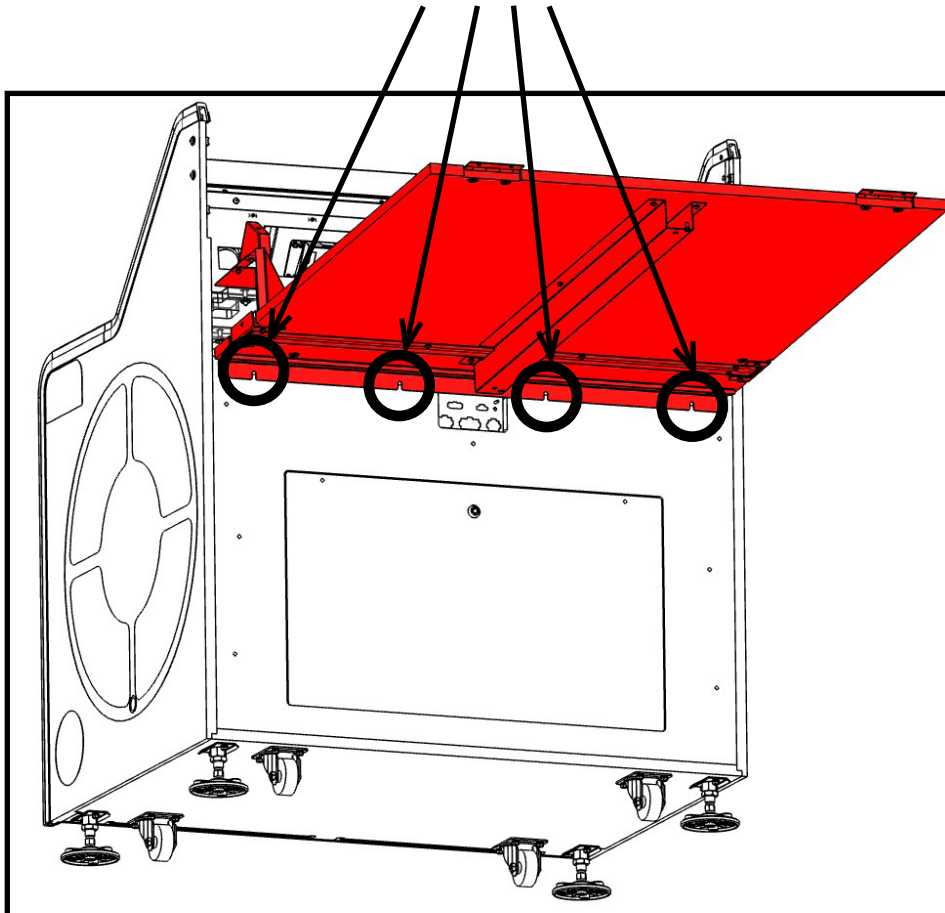
## SUPPORT PANEL WHEN REMOVING FIXINGS



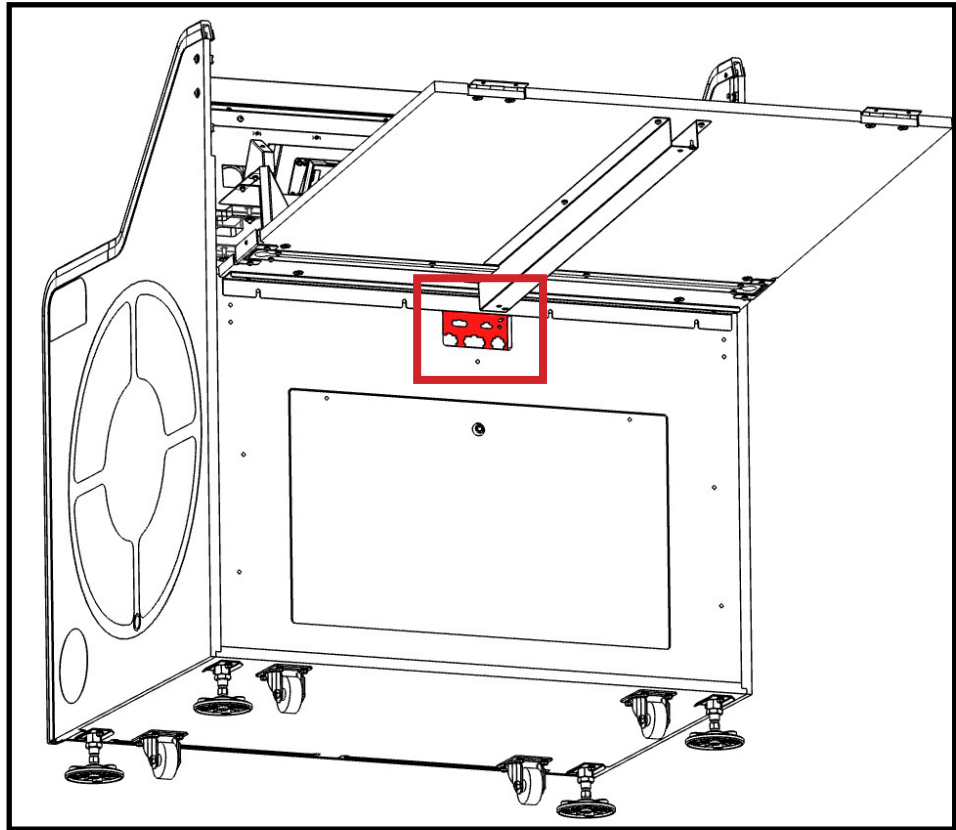
**4** Lower Mid Panel and secure to Control Cab by tightening fixings (fixings will already be in place)



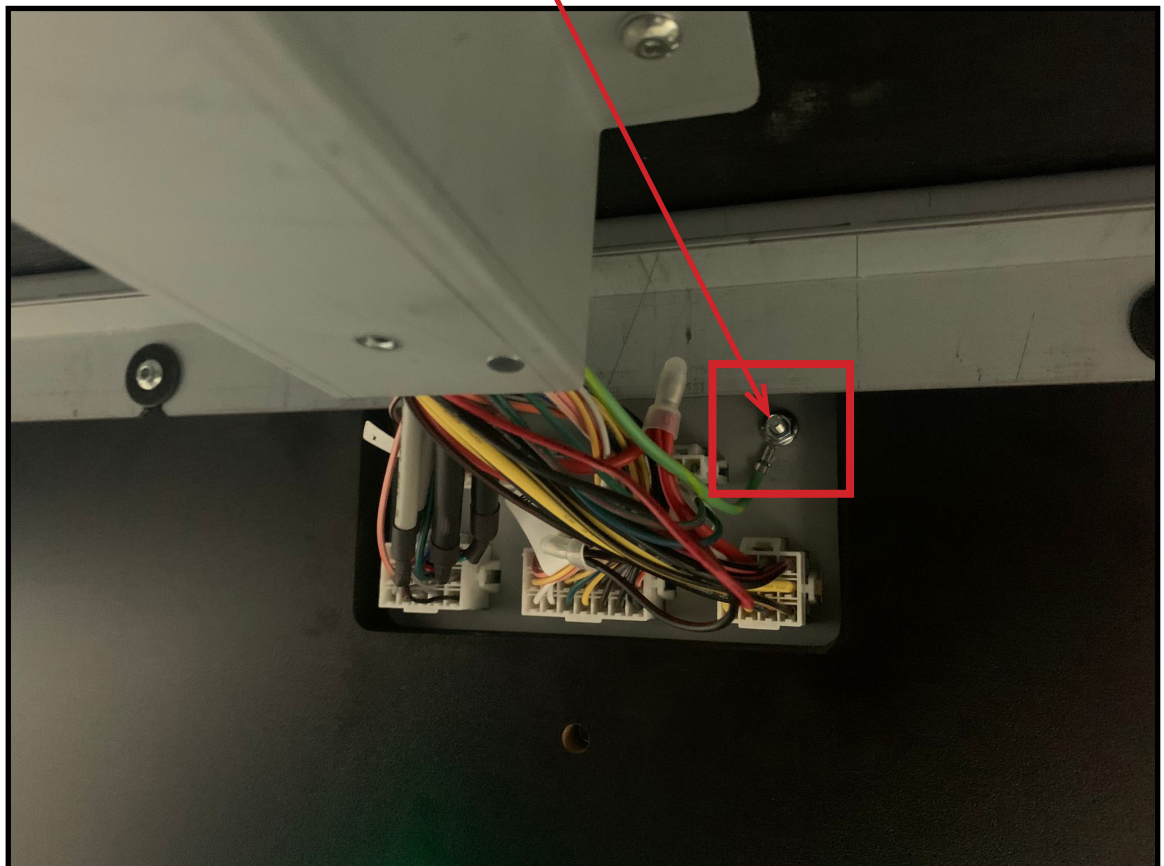
Tighten 4 x Fixings to secure



# 5 Make harness connections and connect Earth



**SECURE EARTH USING NUT**  
(Remove Nut, connect Earth, reapply Nut)



**6** Secure **PART 6** using **1 x M5X12** + **1 x M5X30** + **2 x M5 FLAT WASHERS** + **2 x M5 SPRING WASHERS**

**FIXING(S) USED**



**1 x M5X12**



**1 x M5X30**

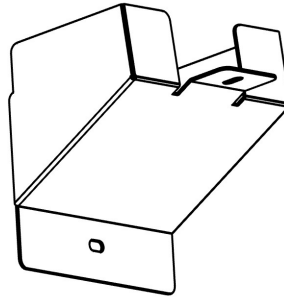


**2 x M5  
FLAT WASHER**



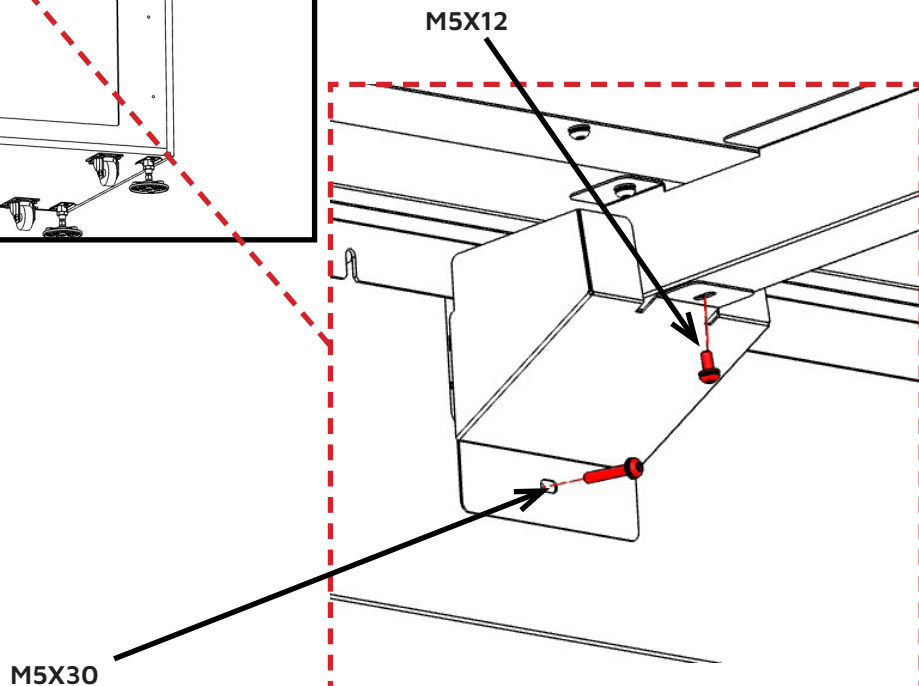
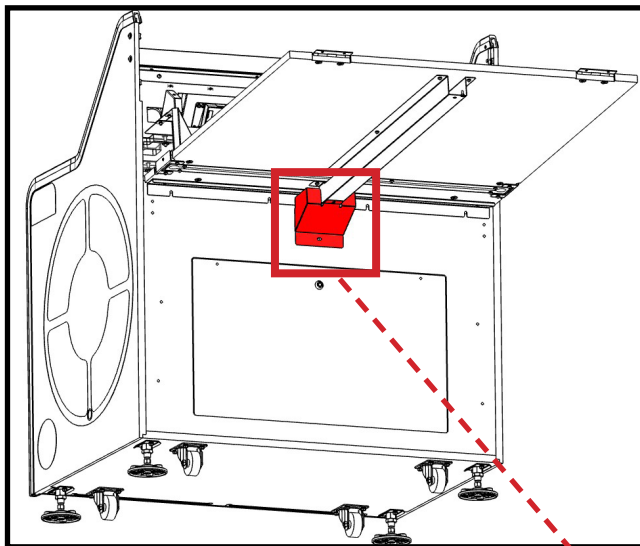
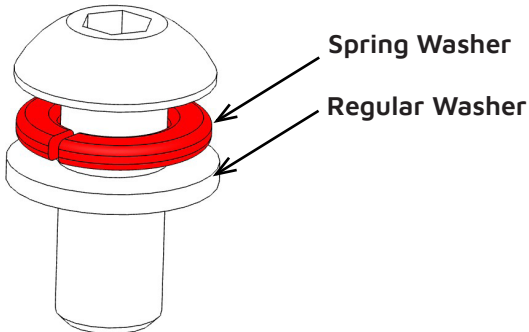
**2 x M5  
SPRING WASHER**

**PART(S) USED**

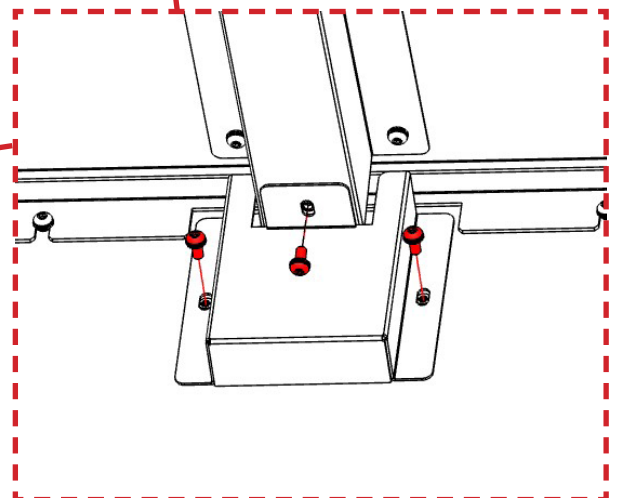
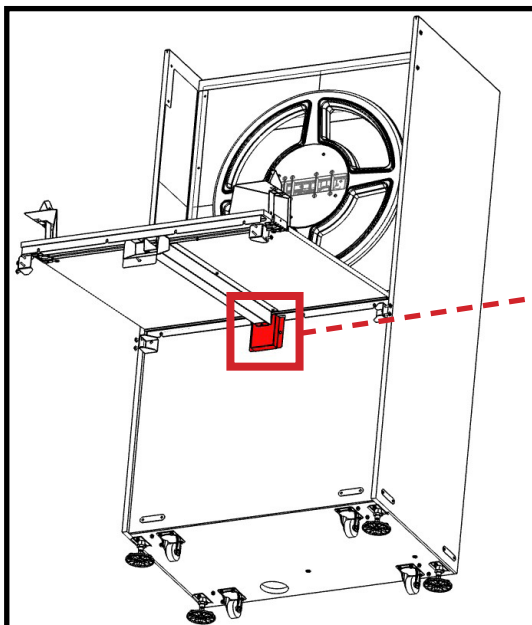
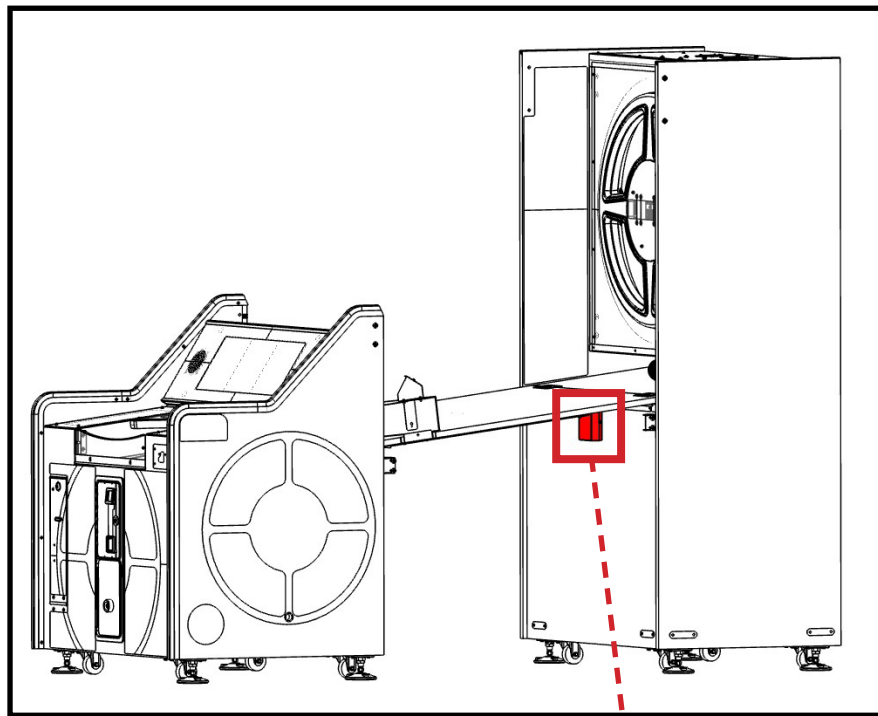
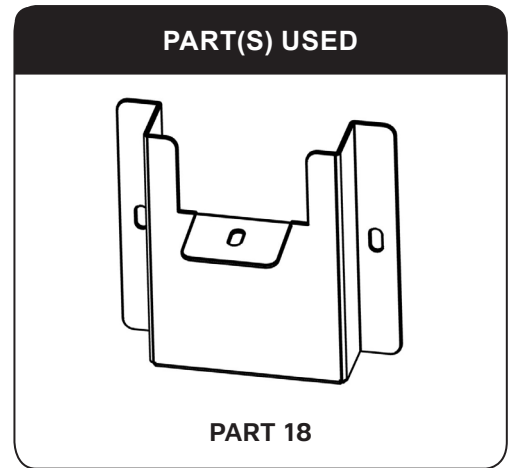


**PART 6**

**Fixing example**



**7** Secure **PART 18** using **3 x M5X12** + **3 x M5 FLAT WASHERS** + **3 x M5 SPRING WASHERS**



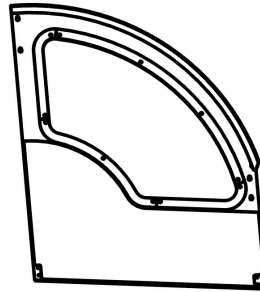
### 3 - INSTALLING THE LH SIDE PANEL

**1** Secure **PART 12** using **4 x M5X12** + **4 x M5 SPRING WASHERS** + **4 x M5 16OD WASHERS**. Fit **PART 1** into position

#### FIXING(S) USED



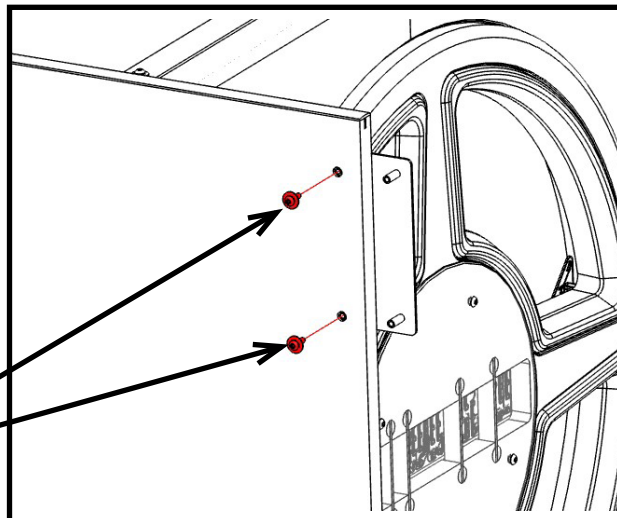
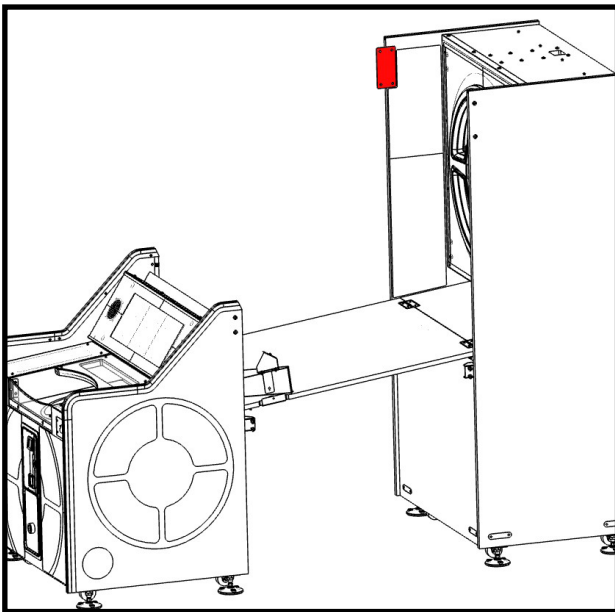
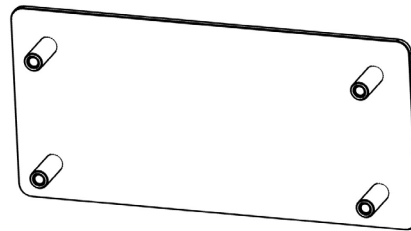
#### PART(S) USED



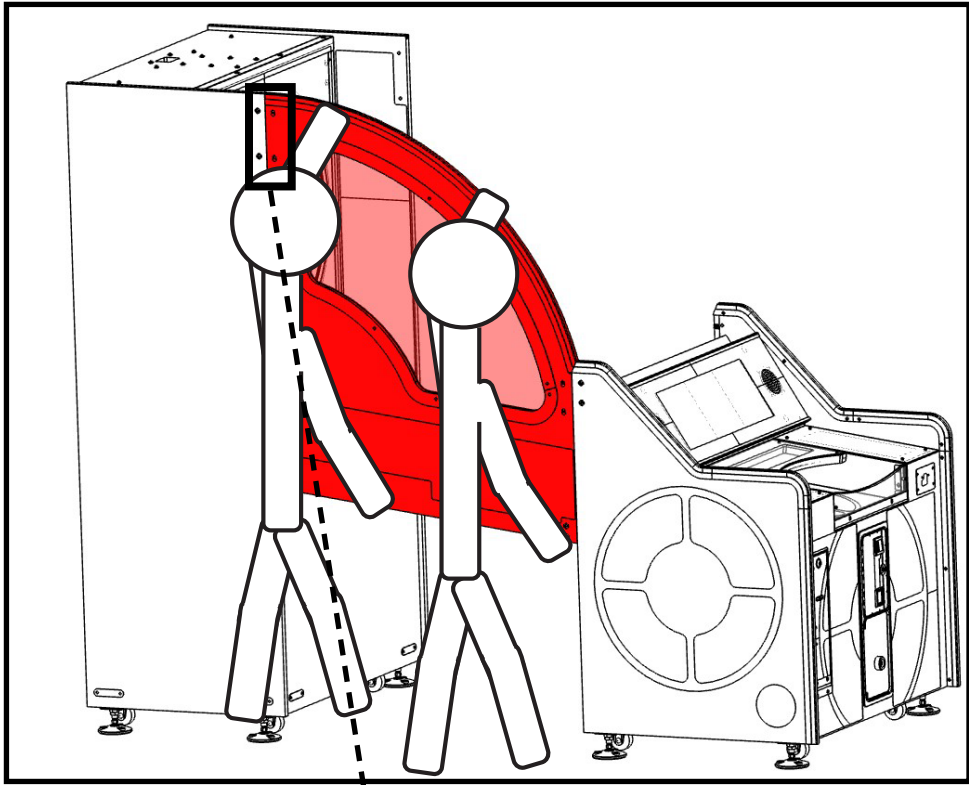
#### SAFETY REQUIREMENTS



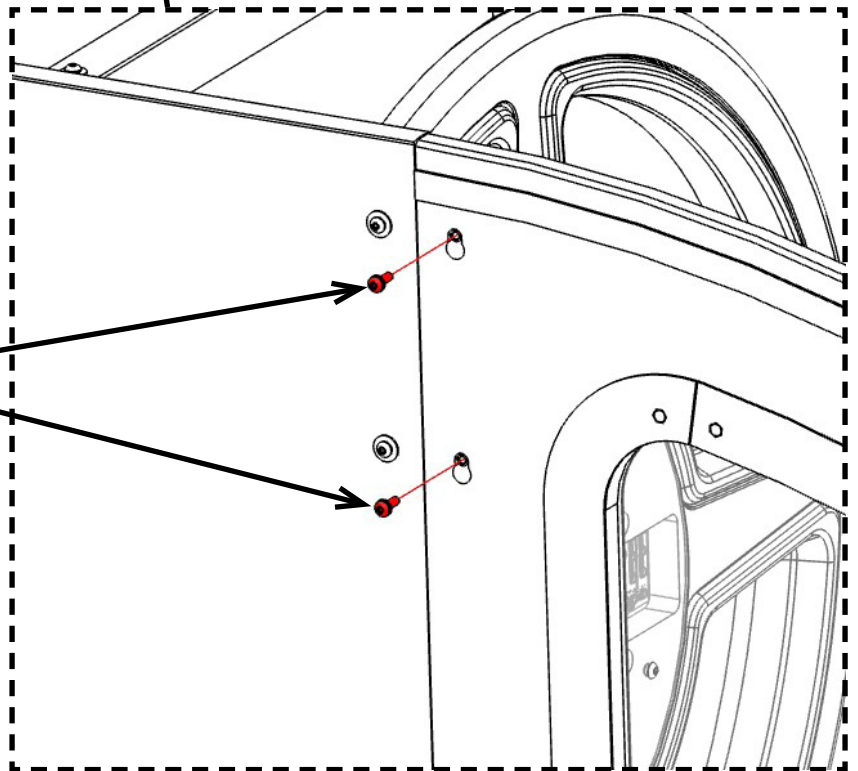
#### PART(S) USED



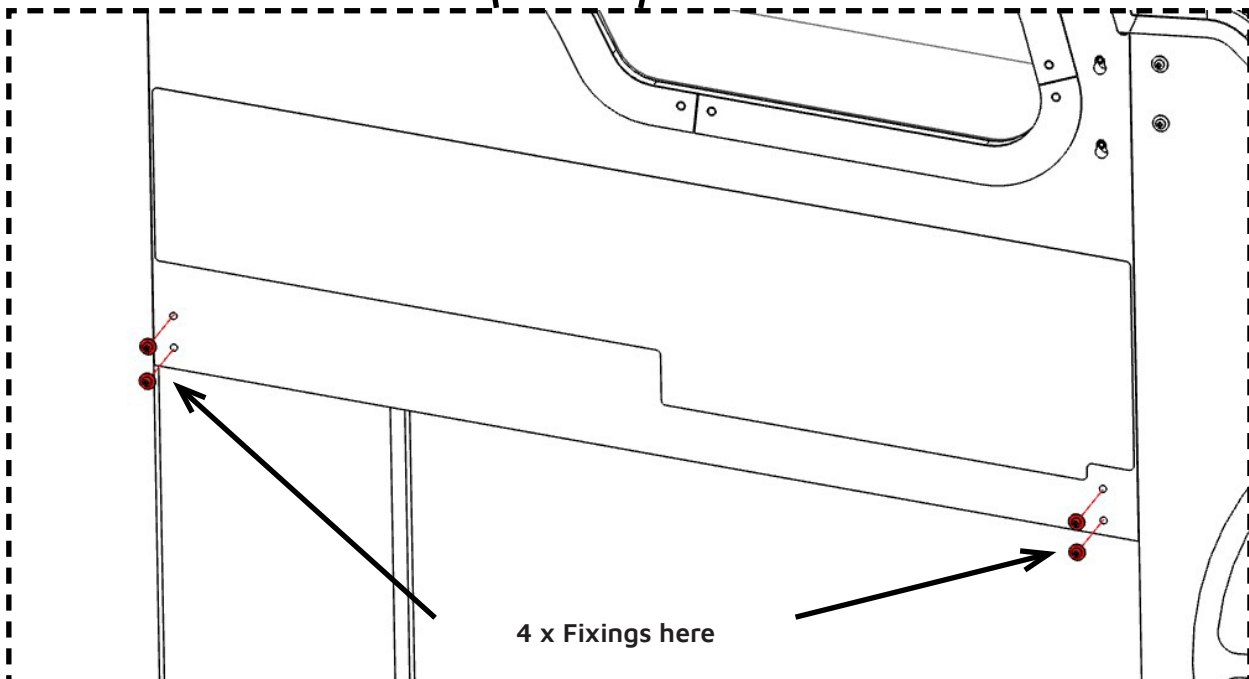
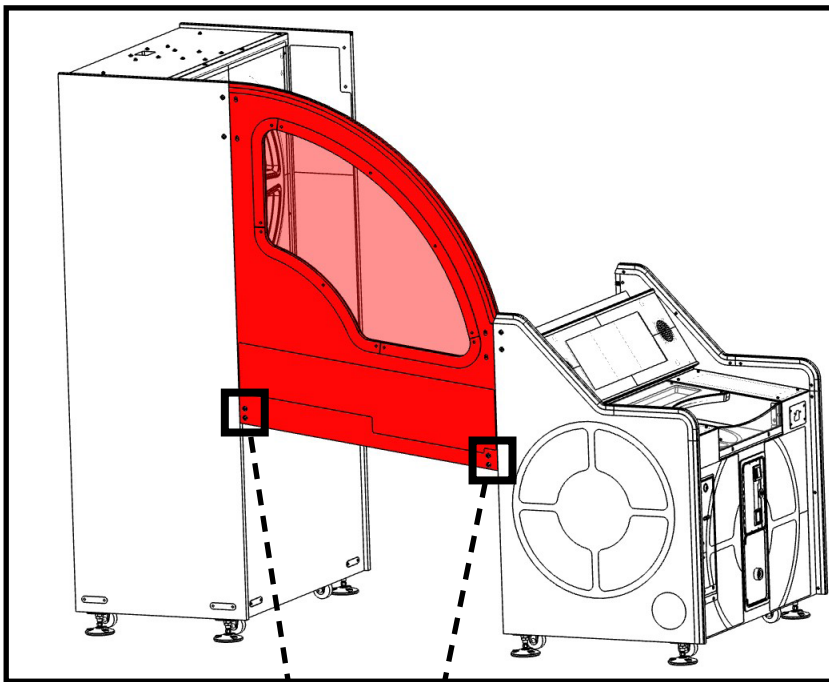
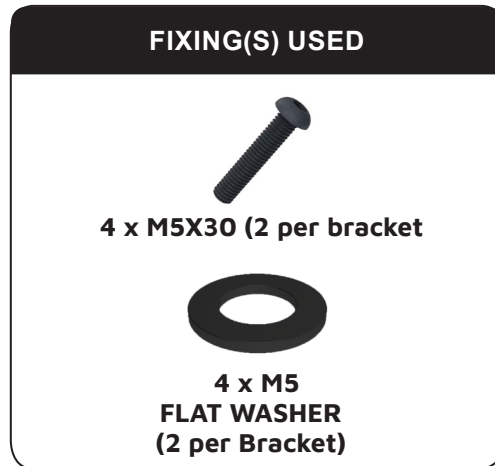
Apply 2 x Fixings + Washers  
finger tight



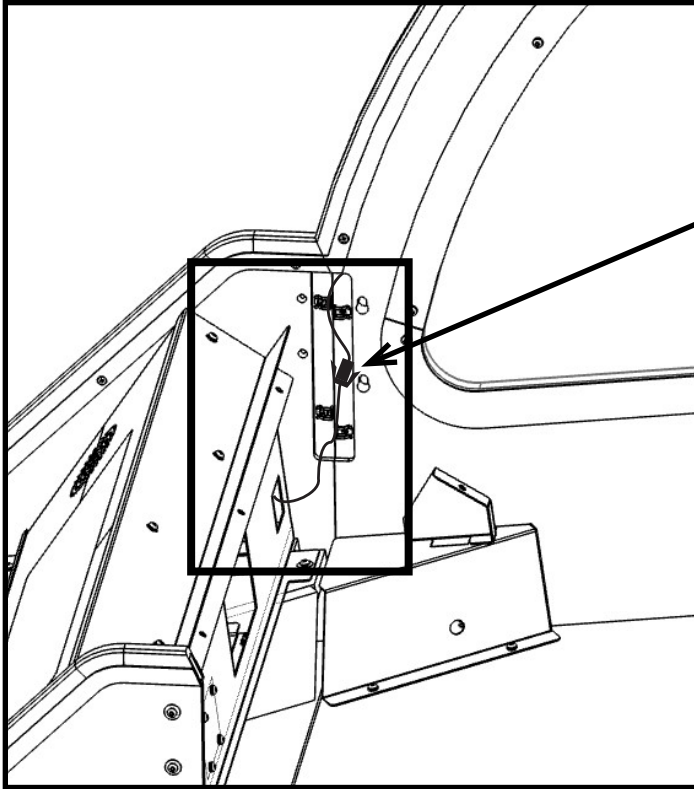
Apply remaining 2 x  
Fixings



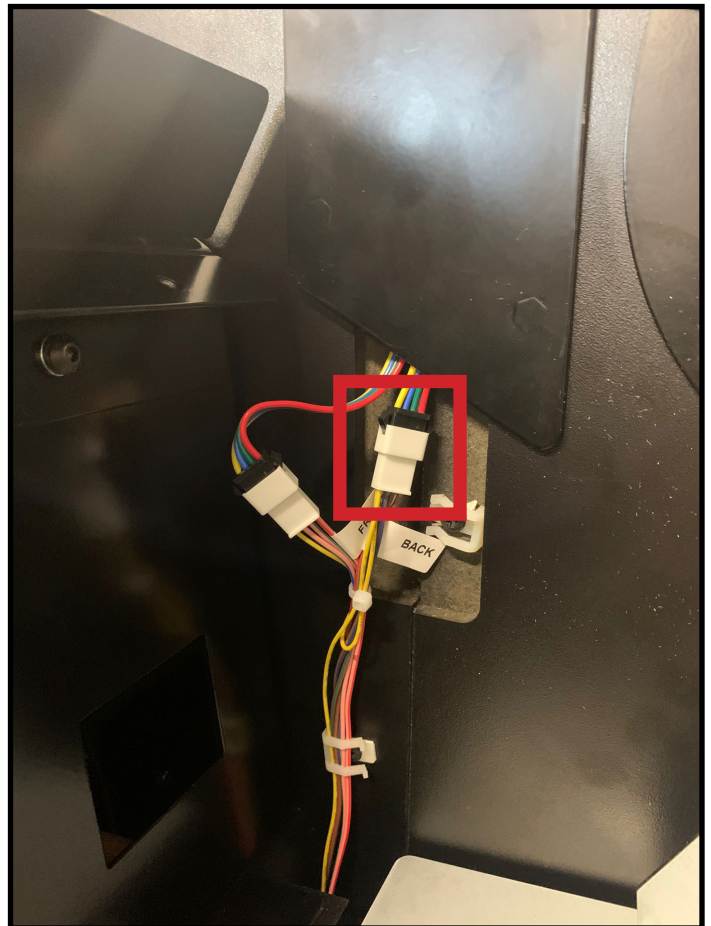
**2** Use **4 x M5X30** + **4 x M5 FLAT WASHERS** to secure **PART 1** to **PART 17**



**3** Connect harness from **Part 1** to Control Cab



Connection Point

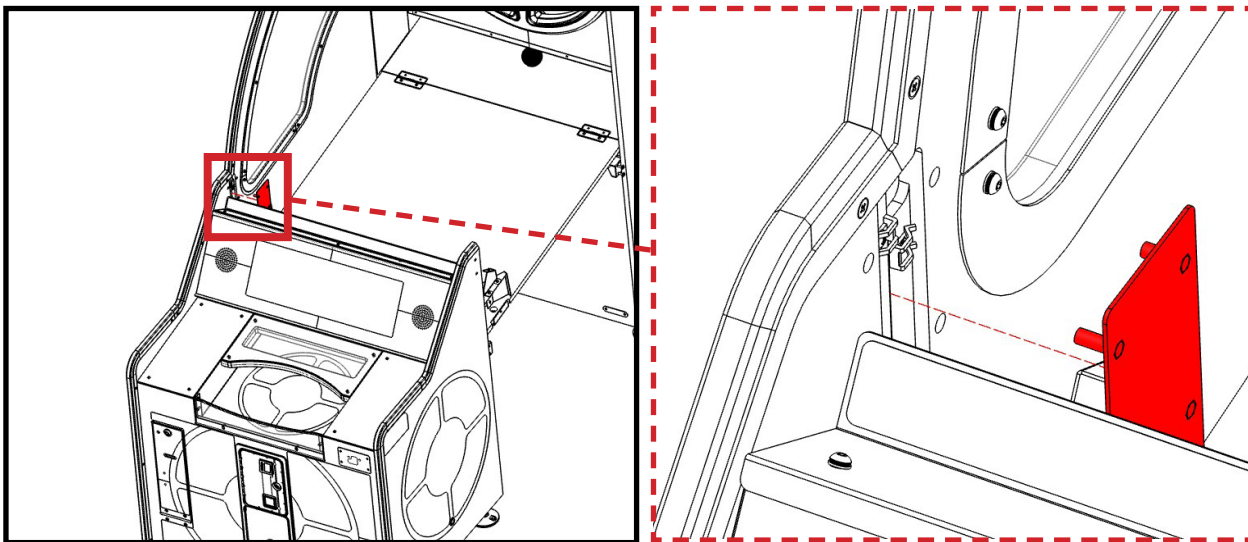
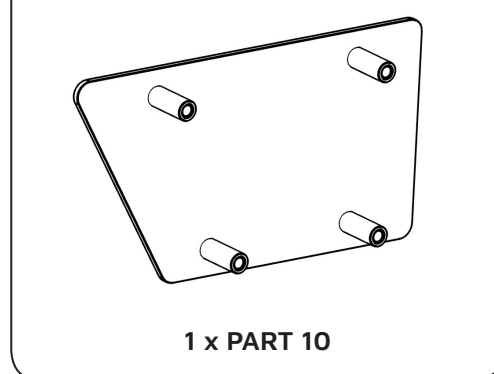


**4** Secure **1 x PART 10** using **4 x M5X12** + **4 x M5 160D WASHER** + **4 x M5 SPRING WASHER**

**FIXING(S) USED**



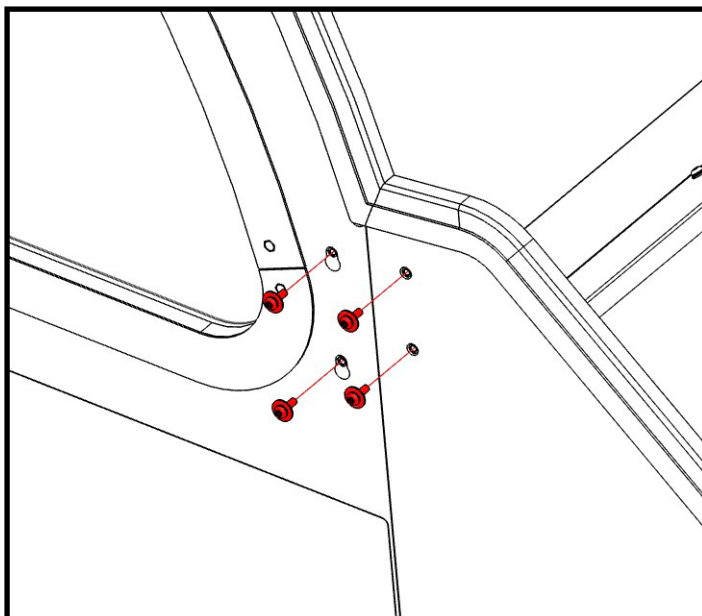
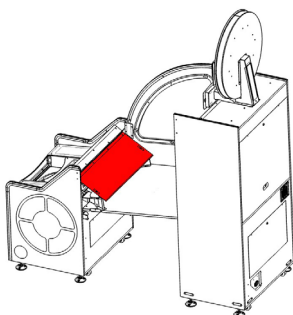
**PART(S) USED**



**SONIC SAYS!**



**Not so fast! Don't put the Right Panel on just yet! You'll need access to the inner Cabinet to apply Part 5 into position!**



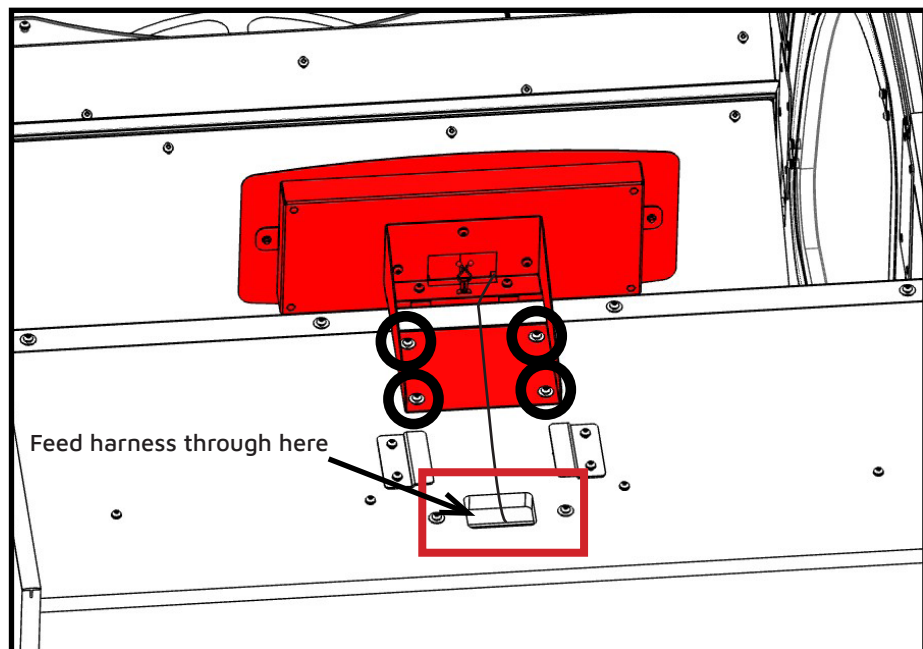
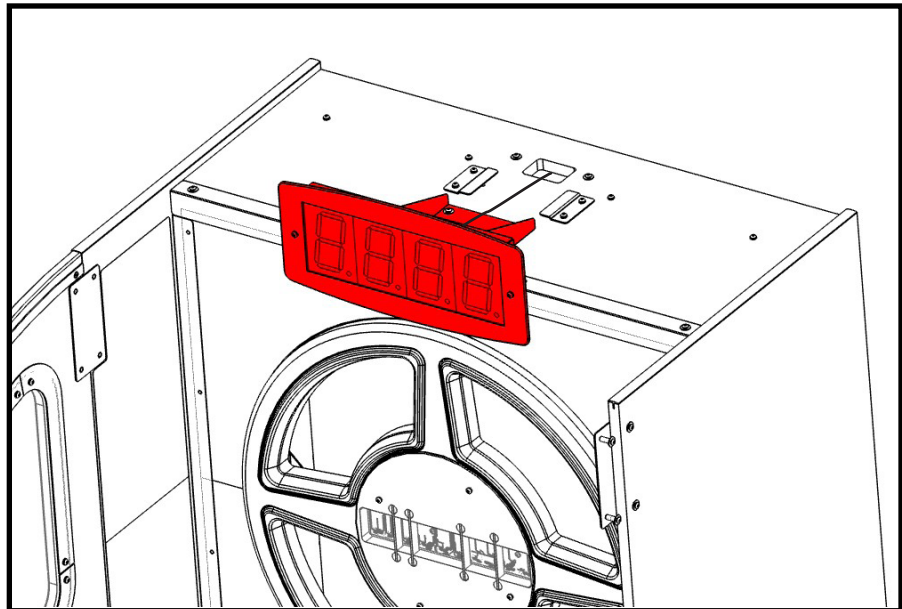
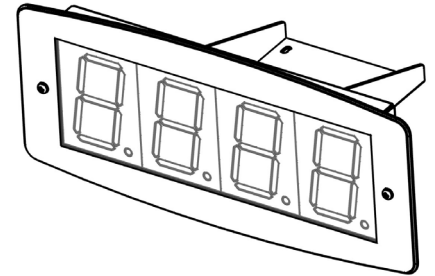
## 4 - INSTALLING THE SUPER BONUS

1 Secure **PART 3** using **4 x M5X20** + **4 x M5 SPRING WASHERS** + **4 x M5 16OD WASHERS**

### FIXING(S) USED

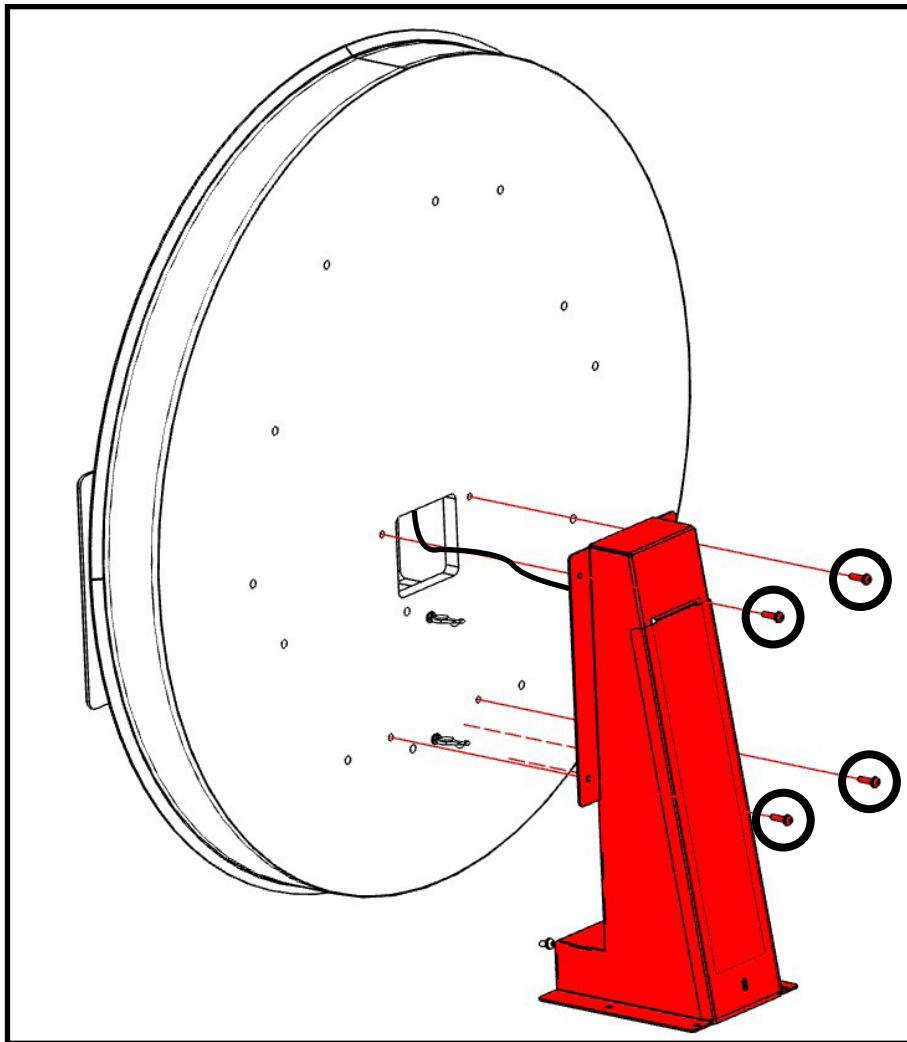


### PART(S) USED

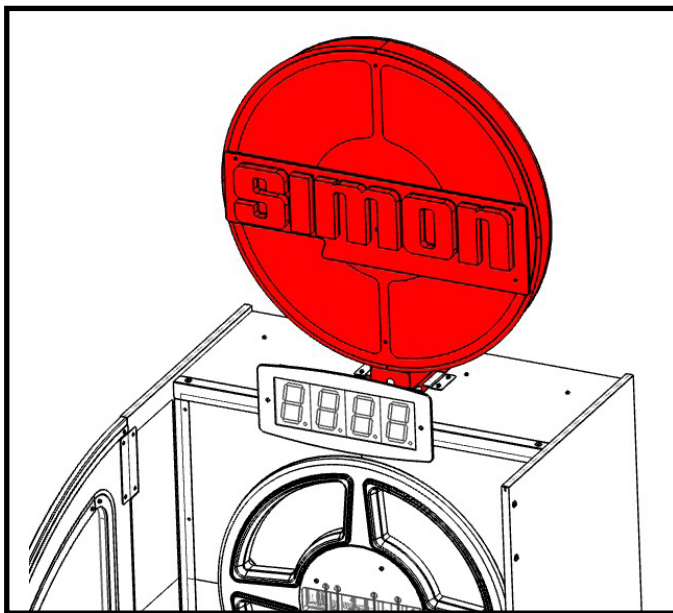
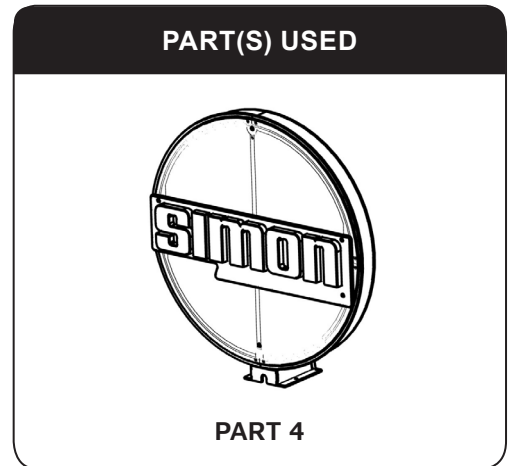



## 5 - INSTALLING THE BILLBOARD

- 1 Secure the Billboard Bracket to the Billboard Panel using **4 x M5X20** + **4 x M5 SPRING WASHERS** + **4 x M5 160D WASHERS**

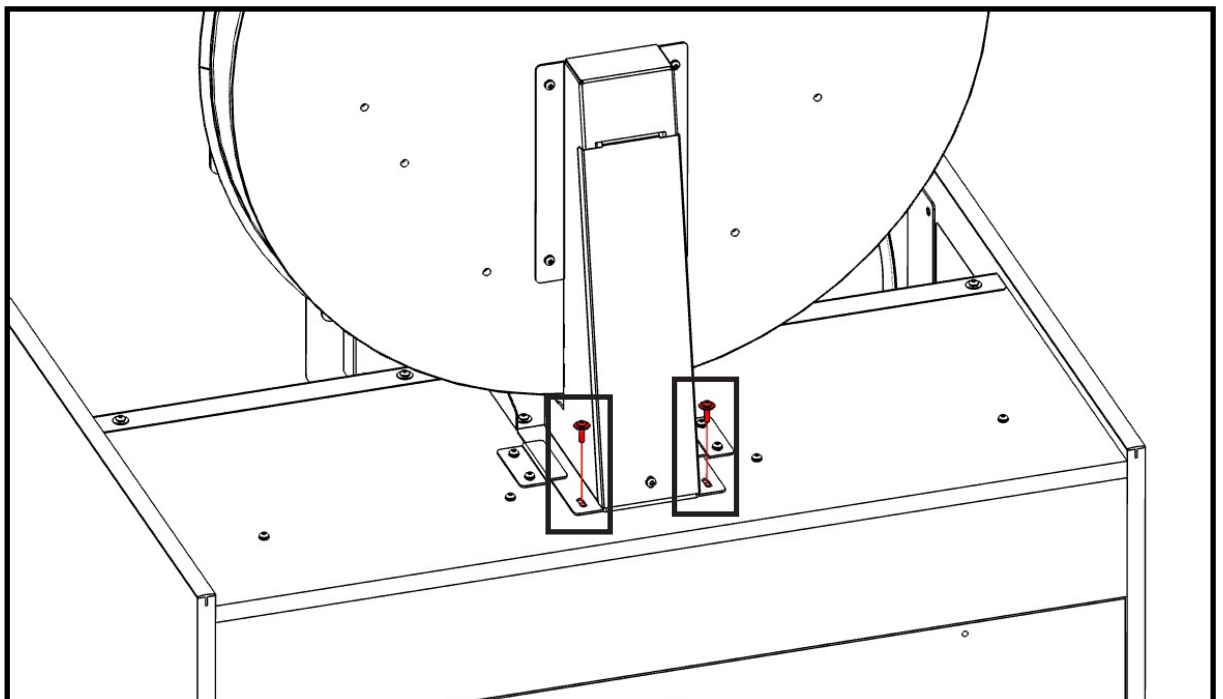
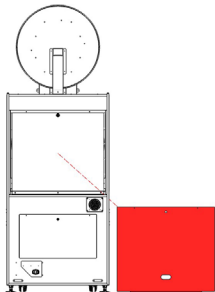


2 Secure **PART 4** using **2 x M5X20** + **2 x M5 SPRING WASHERS** + **2 x M5 160D WASHERS**

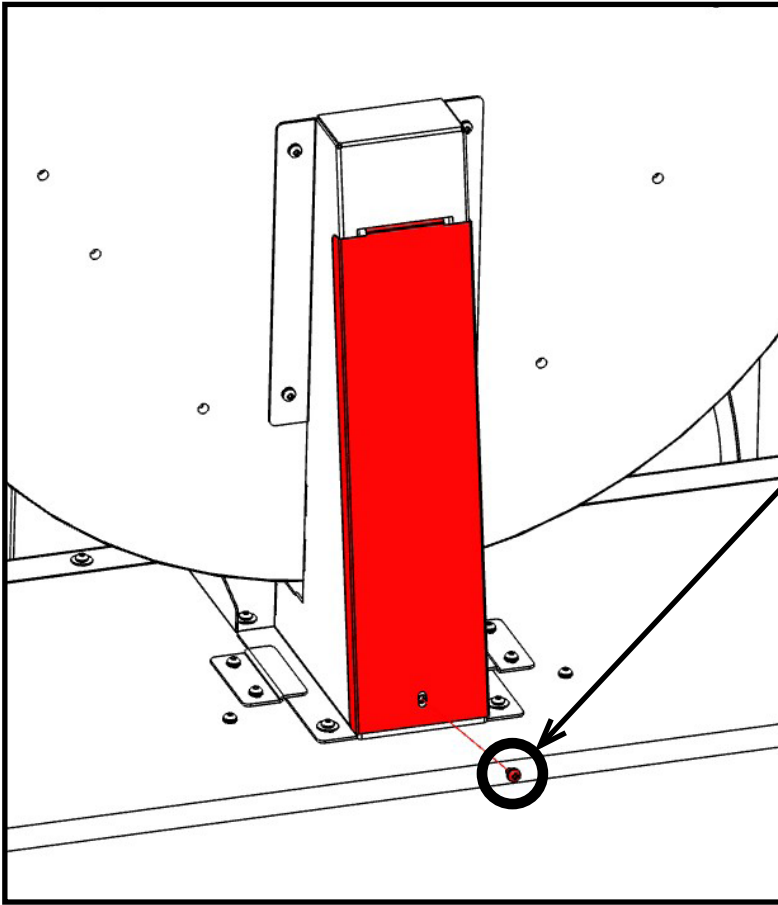


**TAILS' TOP TIP!** 

Remove the Door of the Feature Cabinet if you need additional access to the Billboard and Super Bonus Harnesses



**3** Remove Billboard Cover Plate and make harness connections from **PART 3 + 4** to the **Feature Cabinet**



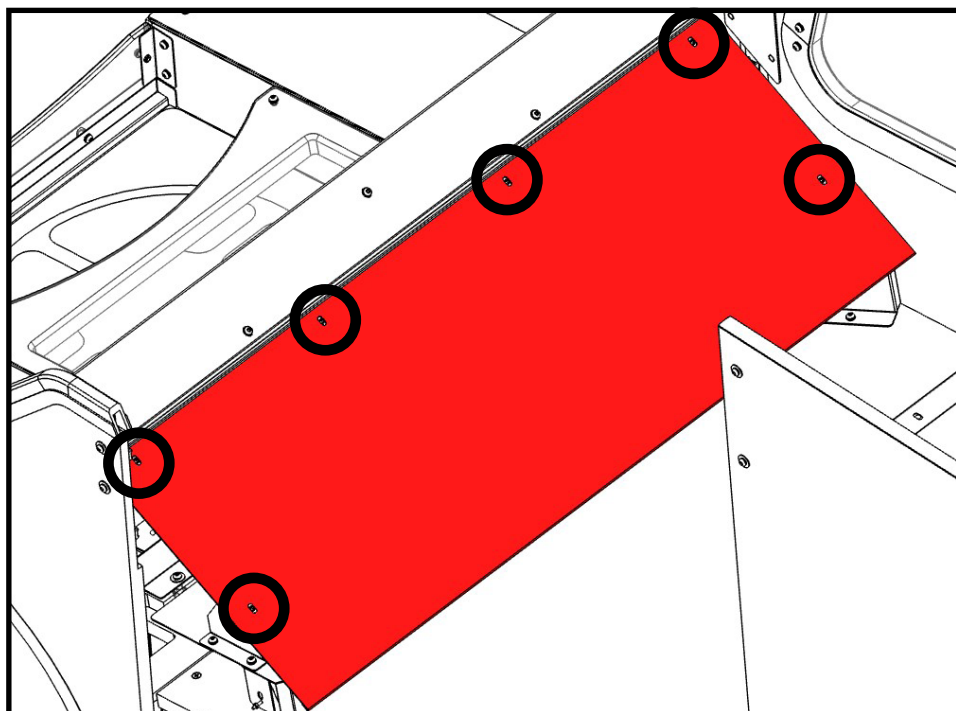
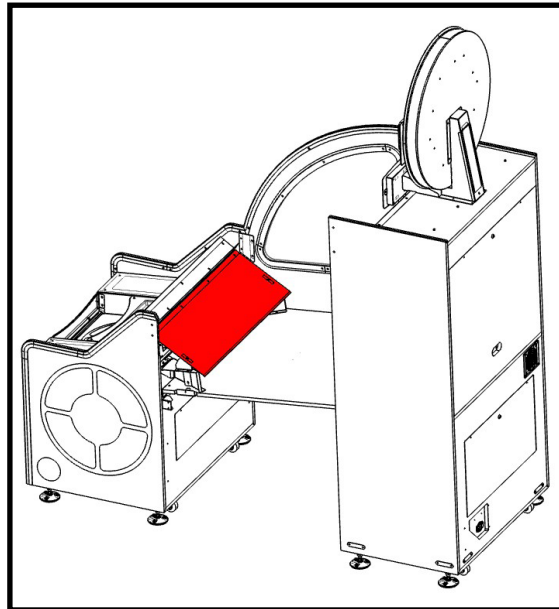
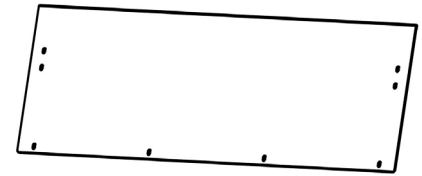
## 6 - INSTALLING THE RH SIDE PANEL

1 Secure **PART 5** using **6 x M5X12** + **6 x M5 SPRING WASHER** + **6 x M5 FLAT WASHER**

### FIXING(S) USED



### PART(S) USED

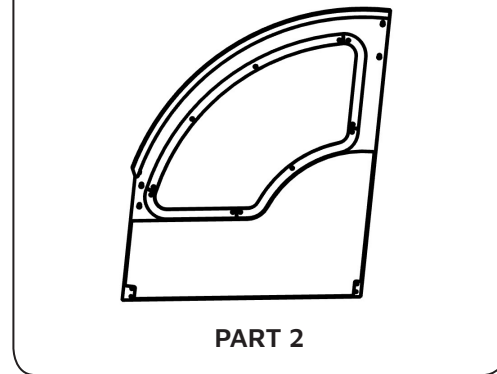


**2** Secure **PART 12** using **2 x M5X12** + **2 x M5 SPRING WASHERS** + **2 x M5 16OD WASHERS**. Fit **PART 2** into position.

**FIXING(S) USED**



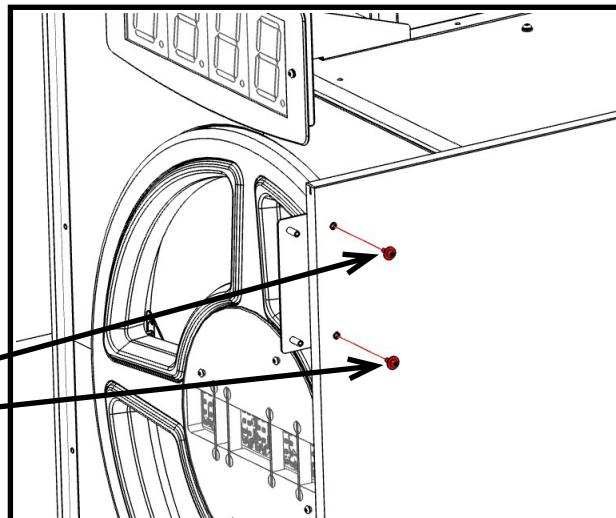
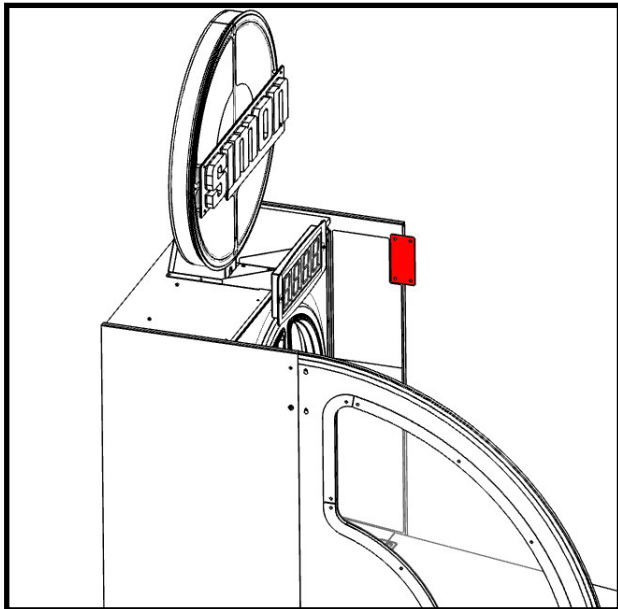
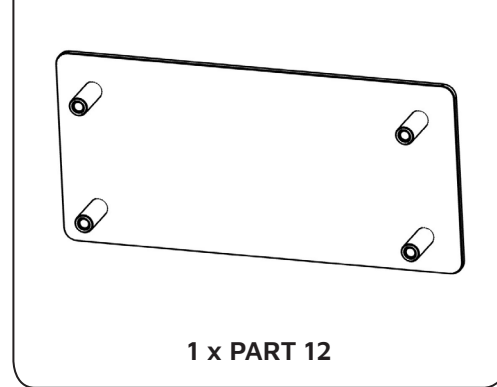
**PART(S) USED**



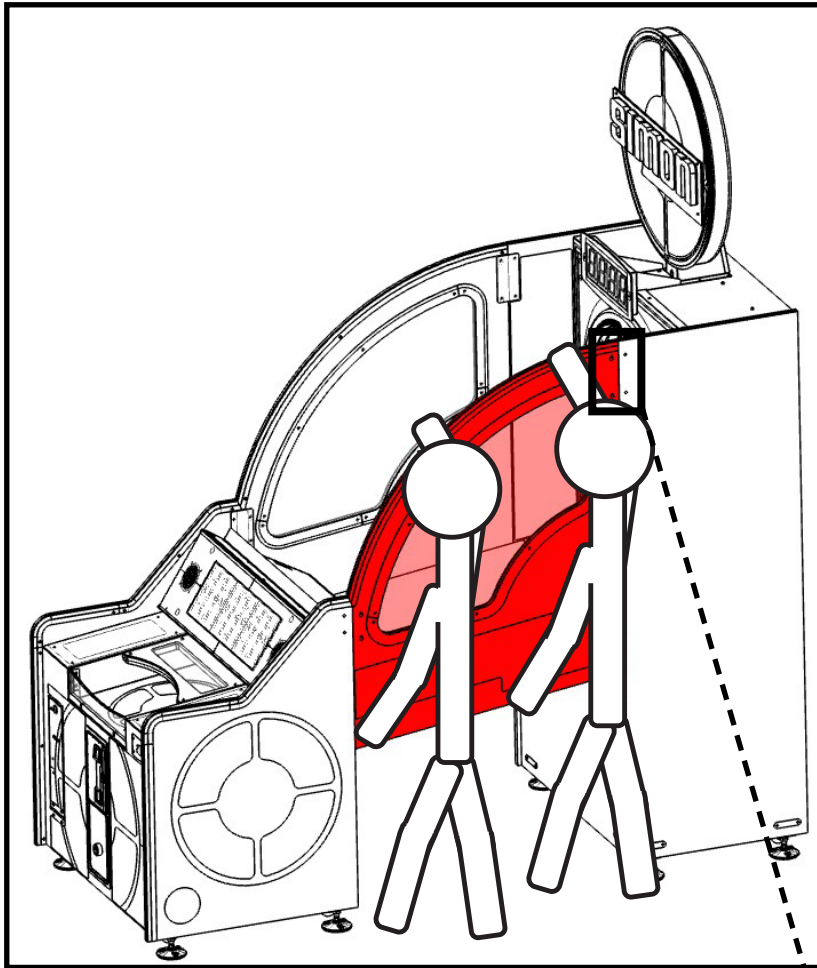
**SAFETY REQUIREMENTS**



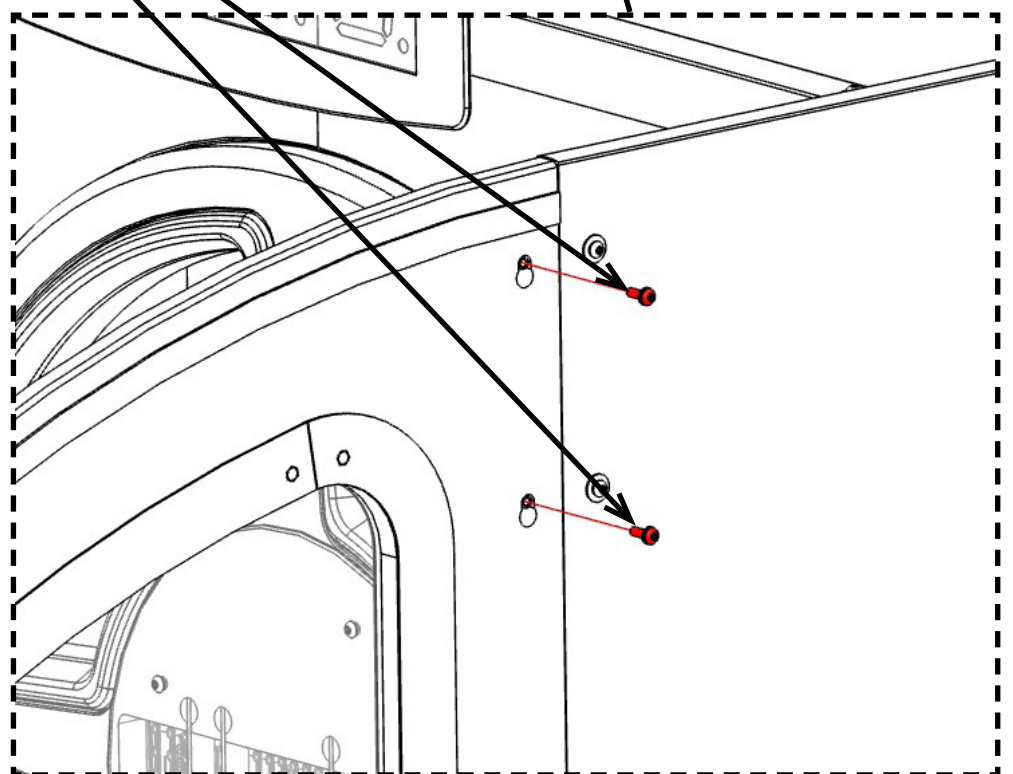
**PART(S) USED**



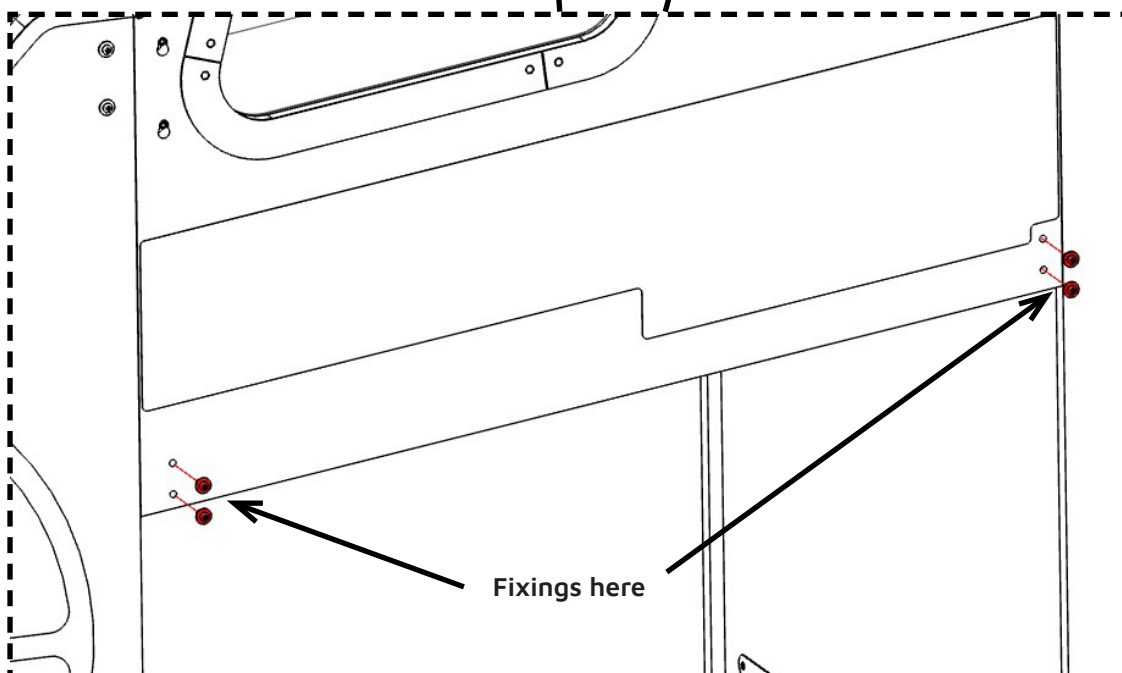
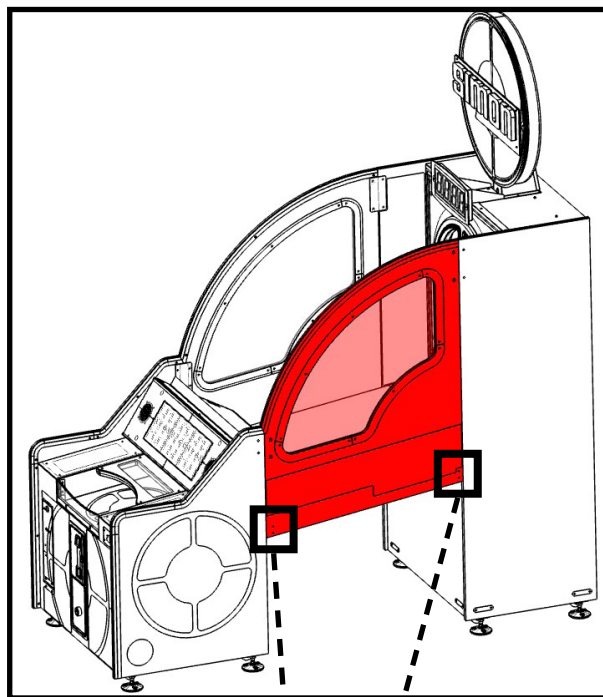
Apply 2 x Fixings + Washers  
finger tight



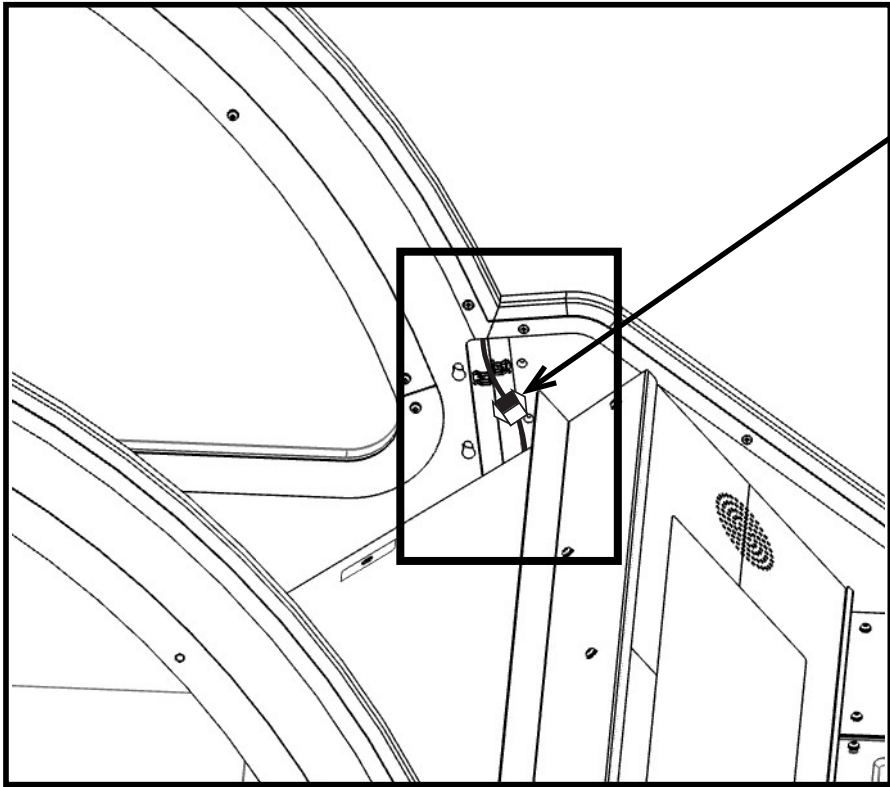
Apply remaining 2 x  
Fixings



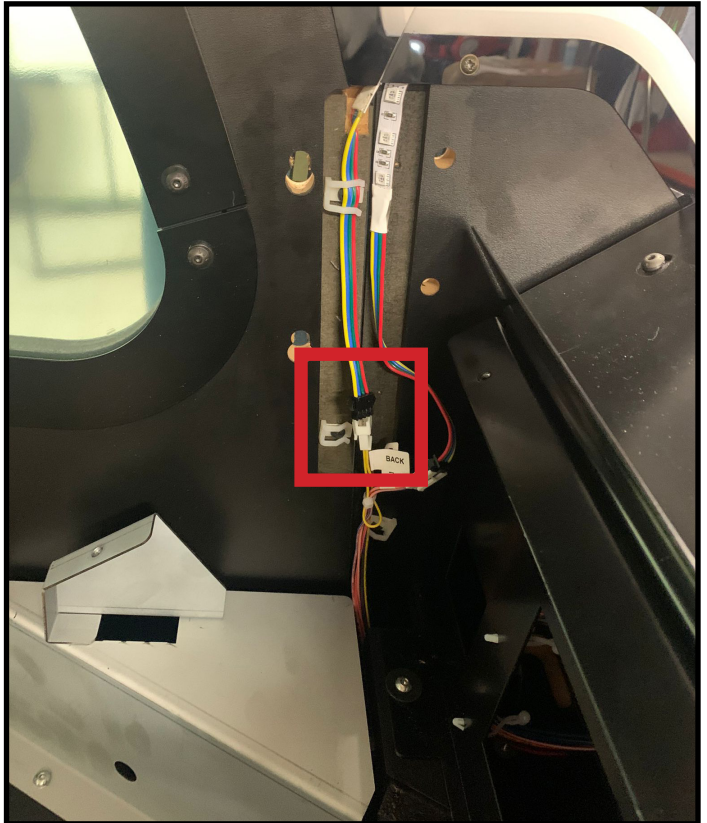
**3** Use **4 x M5X30** + **4 x M5 FLAT WASHERS** to secure **PART 2** to **PART 17**



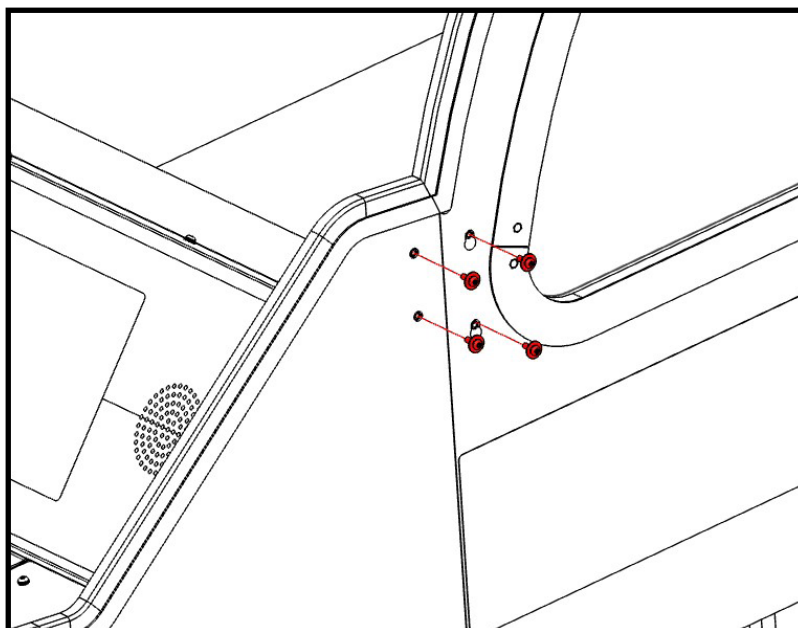
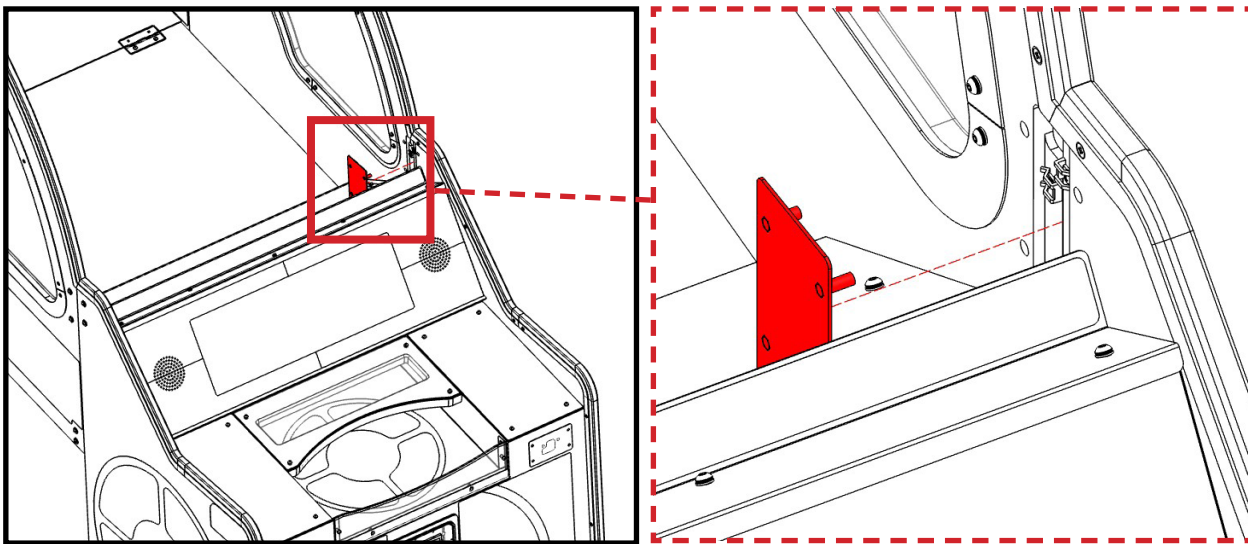
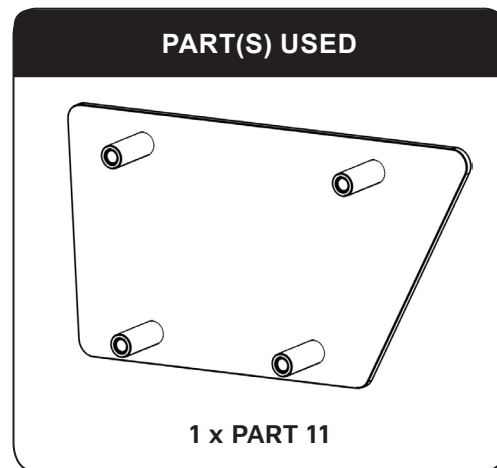
# 4 Connect harness from PART 2 to Control Cab



Connection Point



**5** Secure **1 x PART 11** using **4 x M5X12** + **4 x M5 16OD WASHER** + **4 x M5 SPRING WASHER**



Apply fixings outside the Cab going in

6 Load the game with **12 x PART 103** (keep 12 x Part 103 in reserve as spares)



Place  
12 x Part 103  
into Playfield



Balls will stack up ready for play



7 Check all fixings and ensure they have been tightened fully

**STOP** **IMPORTANT!**

**ONCE INSTALLATION IS COMPLETE, BE SURE TO CHECK THE LEVELING OF THE CONTROL CABINET. ADJUSTING THE CONTROL CABINET TO BE LEVEL WILL CLOSE ANY GAPS BETWEEN THE CONTROL CAB AND THE SIDE PANELS**

# PRICE OF PLAY

## EXCEL CREDIT BOARD SETTINGS (GBP)



SW3					
Switch 1	Switch 2	Switch 3	Switch 4	Switch 5	Switch 6
ON	ON	OFF	OFF	OFF	OFF

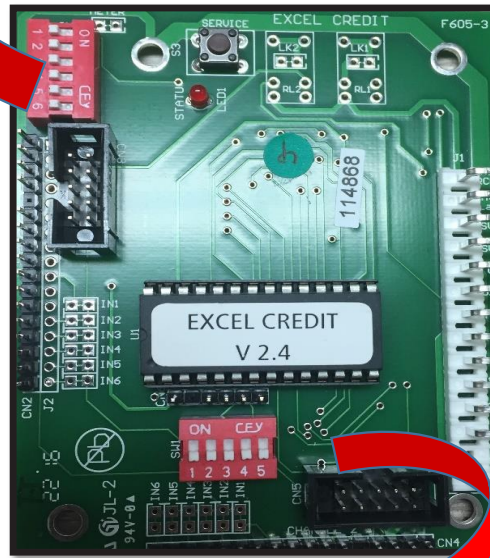


Price Per Play	SW1				
	Switch 1	Switch 2	Switch 3	Switch 4	Switch 5
10p	OFF	OFF	OFF	OFF	OFF
20p	OFF	ON	OFF	OFF	OFF
30p	OFF	OFF	ON	OFF	OFF
40p	OFF	OFF	OFF	ON	OFF
50p	OFF	ON	OFF	ON	OFF
60p	ON	OFF	ON	ON	OFF
80p	ON	ON	ON	ON	OFF
£1	ON	OFF	OFF	OFF	ON
£1.50	OFF	OFF	ON	OFF	ON
£2	OFF	ON	ON	OFF	ON
£3	OFF	OFF	OFF	ON	ON
£5	OFF	ON	OFF	ON	ON

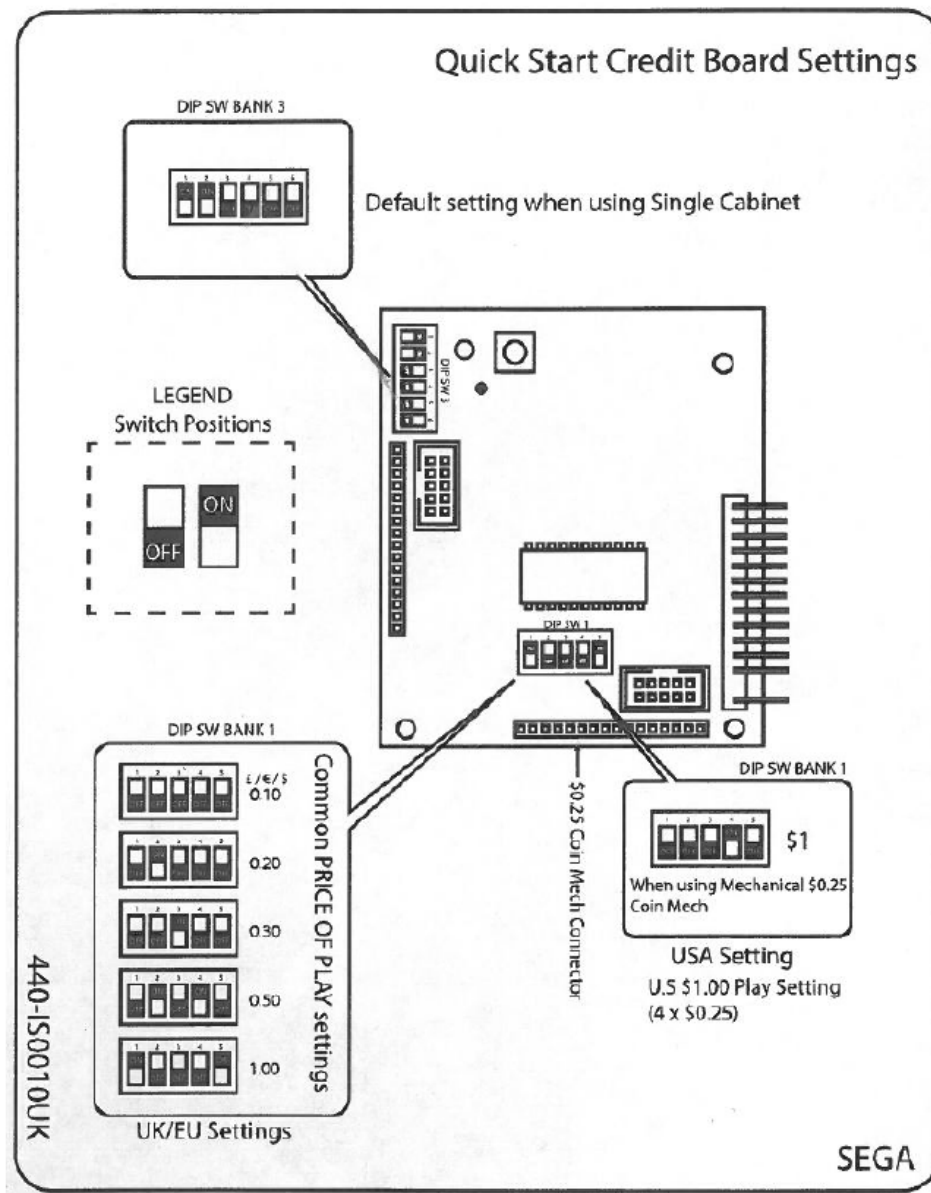
EXCEL CREDIT BOARD SETTINGS (EURO)



SW3					
Switch 1	Switch 2	Switch 3	Switch 4	Switch 5	Switch 6
OFF	OFF	ON	OFF	OFF	OFF

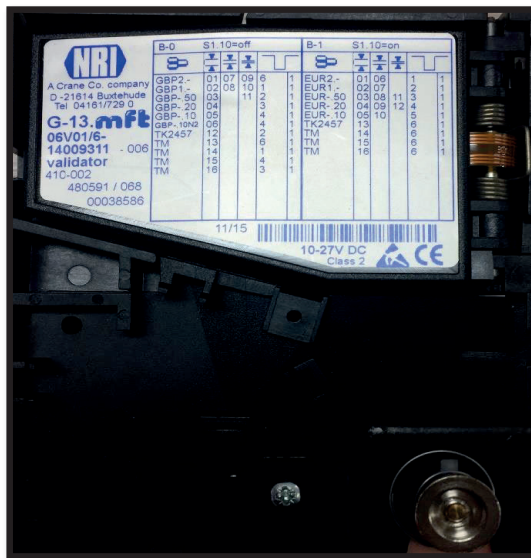


Price Per Play	SW1				
	Switch 1	Switch 2	Switch 3	Switch 4	Switch 5
10c	OFF	OFF	OFF	OFF	OFF
20c	OFF	ON	OFF	OFF	OFF
30c	OFF	OFF	ON	OFF	OFF
40c	OFF	OFF	OFF	ON	OFF
50c	OFF	ON	OFF	ON	OFF
60c	ON	OFF	ON	ON	OFF
80c	ON	ON	ON	ON	OFF
€1.00	ON	OFF	OFF	OFF	ON
€1.50	OFF	OFF	ON	OFF	ON
€2.00	OFF	ON	ON	OFF	ON
€3.00	OFF	OFF	OFF	ON	ON
€5.00	OFF	ON	OFF	ON	ON



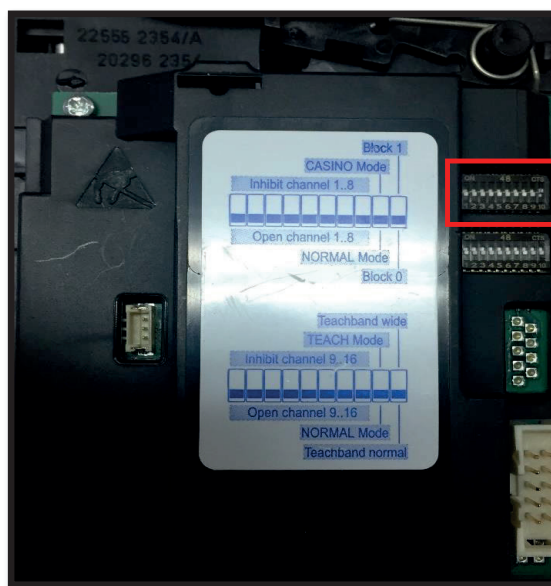
DIL SWITCH BANK ONE (5 way SW1)						
Item	Price	SW1	SW2	SW3	SW4	SW5
1	25cent	OFF	OFF	OFF	OFF	OFF
3	50cent	OFF	ON	OFF	OFF	OFF
5	75cent	OFF	OFF	ON	OFF	OFF
9	\$1.00	OFF	OFF	OFF	ON	OFF
16	\$2.00	ON	ON	ON	ON	OFF
DIL SWITCH BANK TWO (6 way SW3)						
Type	SW1	SW2	SW3	SW4	SW5	SW6
USA	OFF	OFF	OFF	OFF	OFF	OFF

### NRI G13 Currency settings - GBP



TOP BANK

1	2	3	4	5	6	7	8	9	10
OFF	OFF	OFF	OFF	OFF	OFF	OFF	OFF	OFF	OFF

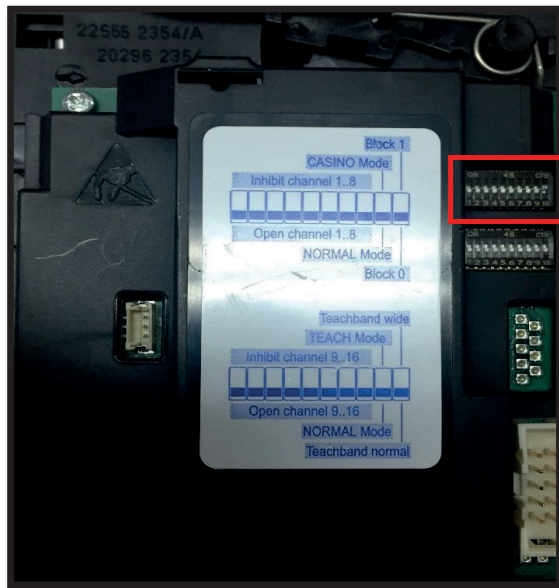


**NRI G13 Currency settings (Euro)**



**TOP BANK**

1	2	3	4	5	6	7	8	9	10
OFF	OFF	OFF	OFF	OFF	OFF	OFF	OFF	OFF	ON



GAME SETTING	SELECTION	DESCRIPTION
Coin 1 + 2	<b>1</b>	Sets activity of Coin Chute 1/2:0-10 (increments of 1)
Bill Validator	<b>0</b>	Sets activity of Bill Validator: 0-10 (increments of 1)
Set Ticket Mode	<b>FULL</b>	Sets Ticket Distribution Mode - Full - DB - Half
Super Bonus Type	<b>*FIXED</b>	Sets whether Super Bonus is a fixed value or increases incrementally after every game: Fixed - Incremental
Super Bonus Max	<b>*500</b>	Sets Super Bonus maximum score: 0-5000 (increments of 25)
Super Bonus Start	<b>-</b>	Sets Super Bonus starting score: 0- 10 - 50 - 100 - 200 - 250 - 500
Super Bonus Increment	<b>-</b>	Sets number of tickets Super Bonus increases by for every game played: 0.1 - 0.25 - 0.5 - 1 - 2 - 3 - 4 - 5 - 10
Mercy Tickets	<b>*0</b>	Set the Mercy Tickets paid out if a Player does not meet the minimum score: 0-20 (increments of 1) - 0
Award Card	<b>-UK05</b>	Sync Game scoring with installed Award Card: UK01 - UK02 - UK03 - UK04 - UK05 - UK06
Target Points	<b>300</b>	Set the points value for scoring a single target: 50 - 500 (increments of 50)
Bonus Threshold	<b>2000</b>	Sets the required score to unlock the Bonus Game: 2000 - 5000 (increments of 100) - 3000 (Setting to OFF = Bonus Game every game)
Threshold Increase	<b>1</b>	Sets the level of difficulty to reach the Bonus Game Threshold (how many more targets are required to reach the Bonus Game): x1 Target - x10 Targets (increments of 1)
Threshold Decrease	<b>5</b>	Sets the number of non-bonus games played before the Bonus Game Target Threshold decreases: 1 - 2 - 3 - 4 - 5 - 10 - 20 - 50 - 100
Active Period	<b>3s</b>	Sets the active period for each target in seconds: 0.5-3.00 (increments of 0.25) - 2
Lit Period (If available)	<b>3s</b>	Sets the time an active period target is lit for. Recommended to be >= Active Period.
Streak Points	<b>100</b>	Sets the number of points awarded for each "5 in a row" streak: 10 - 250 (increments of 10) - 100
Pattern Length	<b>Medium</b>	Sets difficulty of Bonus Game pattern length - Easy (4) - Medium (5) - Hard (6)
Pattern Timing	<b>Medium</b>	Sets difficulty of Bonus Game pattern timing (seconds): Easy (10) - Medium (8) - Hard (6) - Extreme (4)
Exit		Exit to Main Test Menu

**\*OPERATOR PREFERENCE**

## SPARES AND SERVICE CONTACT INFORMATION



amusements international

### - SEGA TOTAL SOLUTIONS -

42 Barwell Business Park  
Leatherhead Road,  
Chessington,  
Surrey,  
KT9 2NY  
United Kingdom

Parts: +44 (0) 2083918060  
stssales@segaarcade.com

### - TECHNICAL SUPPORT -

+44 (0) 2083918060  
technical@segaarcade.com

---

### - PLAY IT AMUSEMENTS -

870 Lively Blvd  
Wood Dale,  
IL,  
602191  
United States of America

Parts/Customer Service: +00 (1) 224 265 4287

Technical Support: +00 (1) 224 265 4283

PIA: support@playitamusements.com

