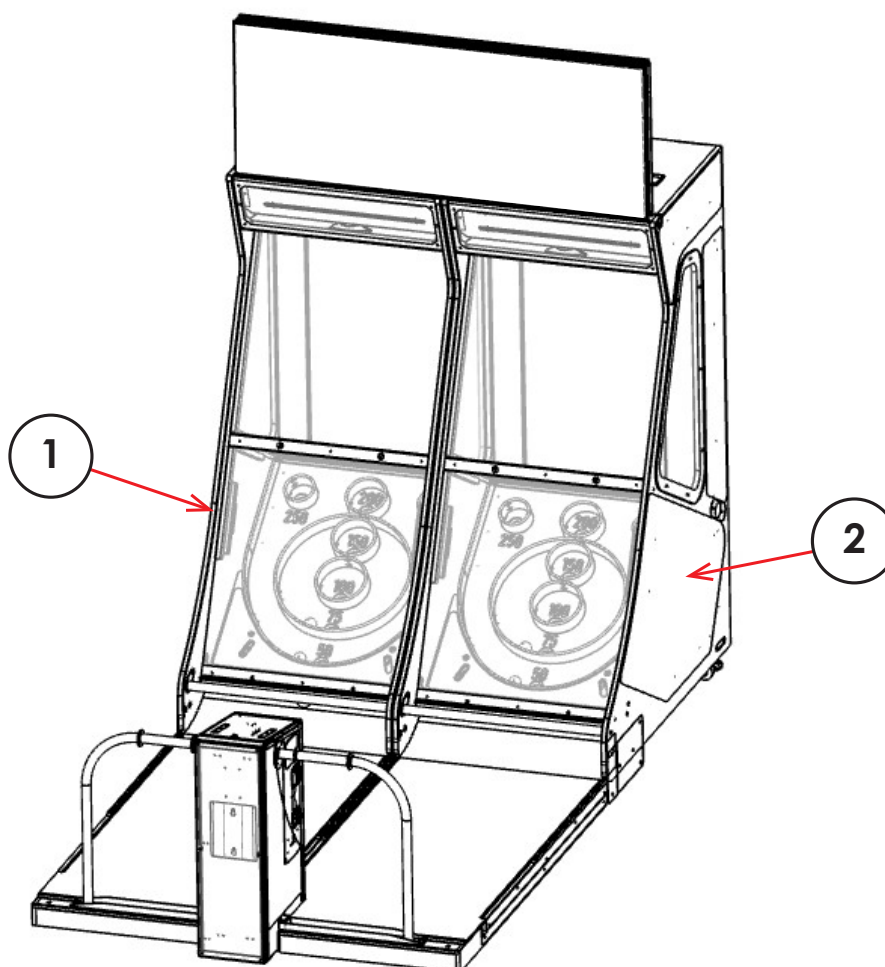


## PARTS LIST

### TOP ASSY PUTT IT! PAR-TEE (GM-00002UK)



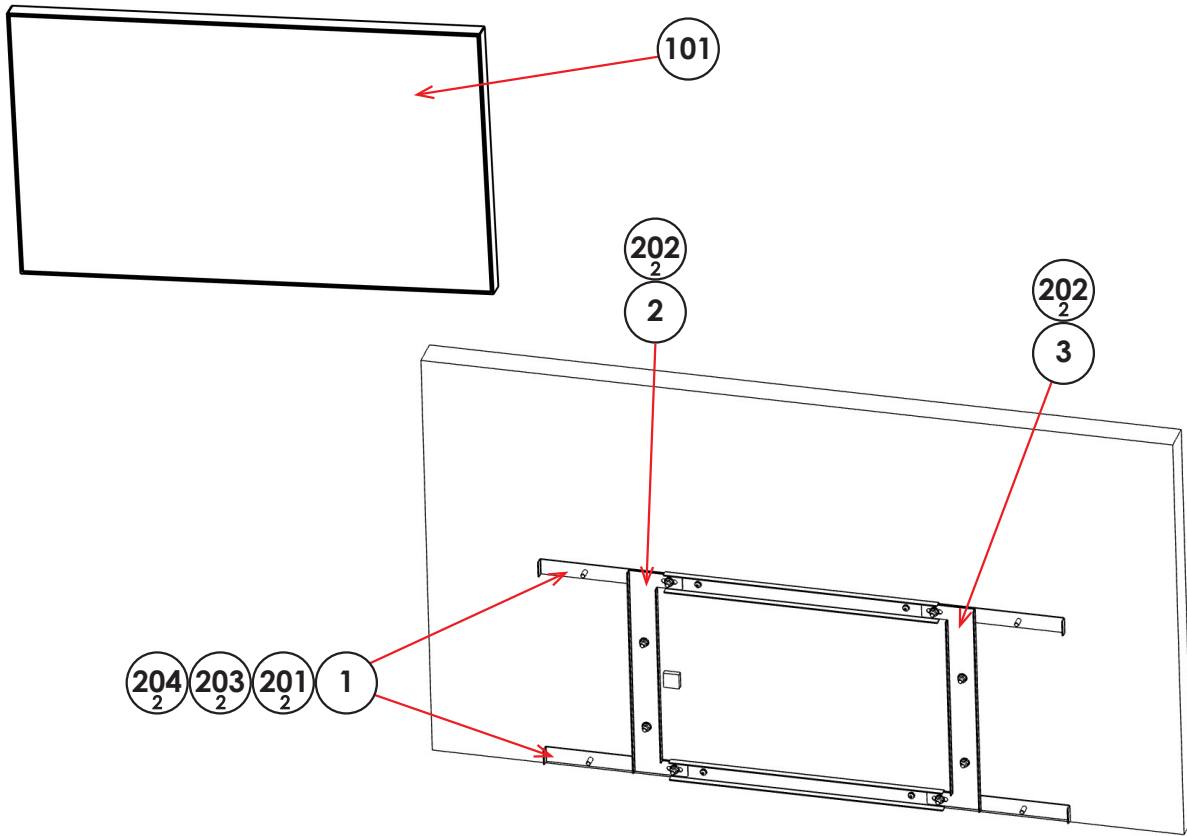
ITEM NO	PART NO	DESCRIPTION	QTY
*1	GM-1000UK	ASSY MONITOR CABI L	1
*2	GM-2000UK	ASSY MONITOR CABI R	1
*101	220-5735-01B	DOOR SFMD BLANK HAPP 40-0057-00	1
*401	GM-INST-TW	ASSY INST GM TW	1

*Please note: The location of all labels can be found in Chapter "Handling Precautions"*

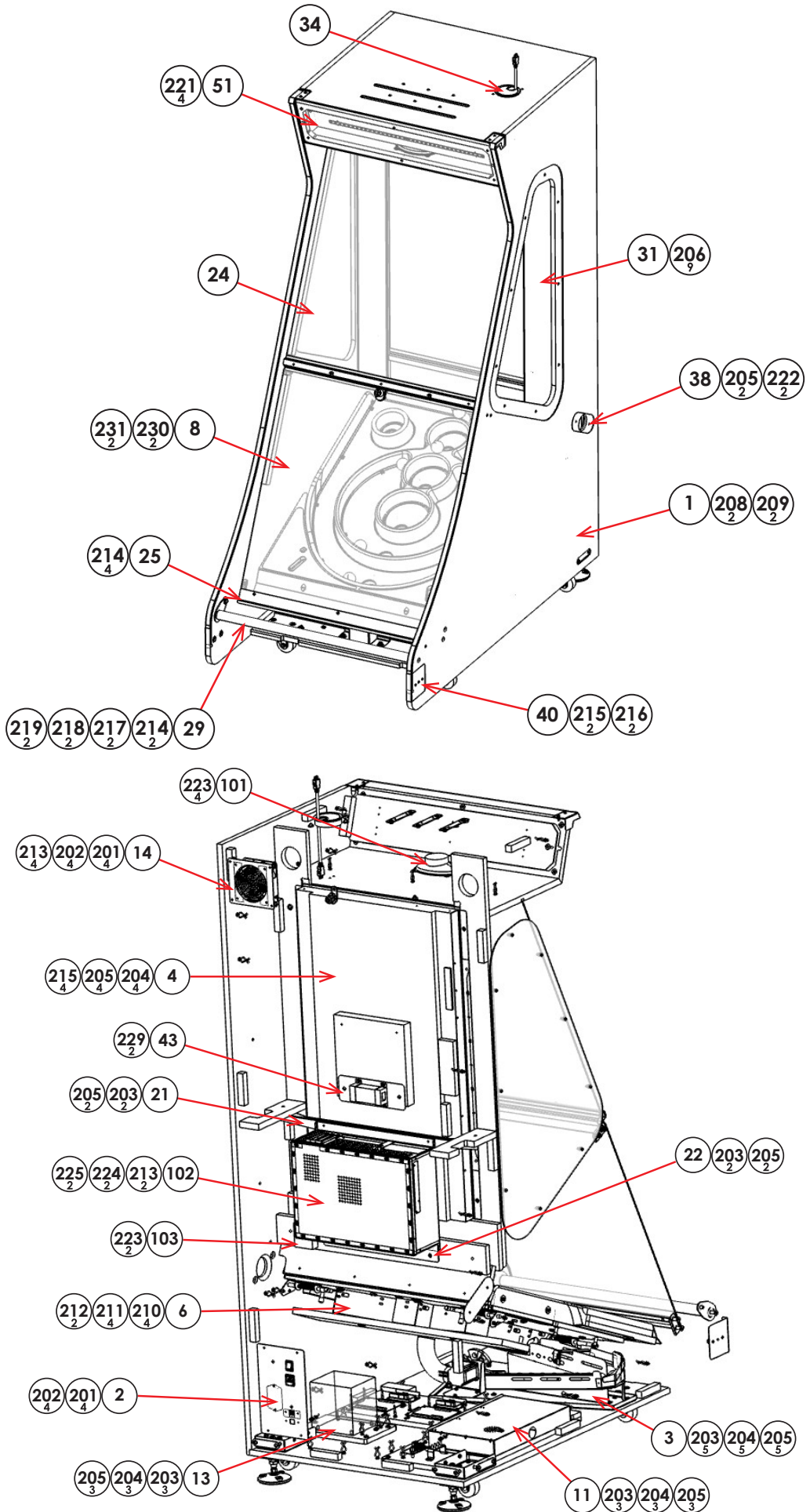
*Please note: The location of all artwork can be found in Chapter "Design Related Parts"*

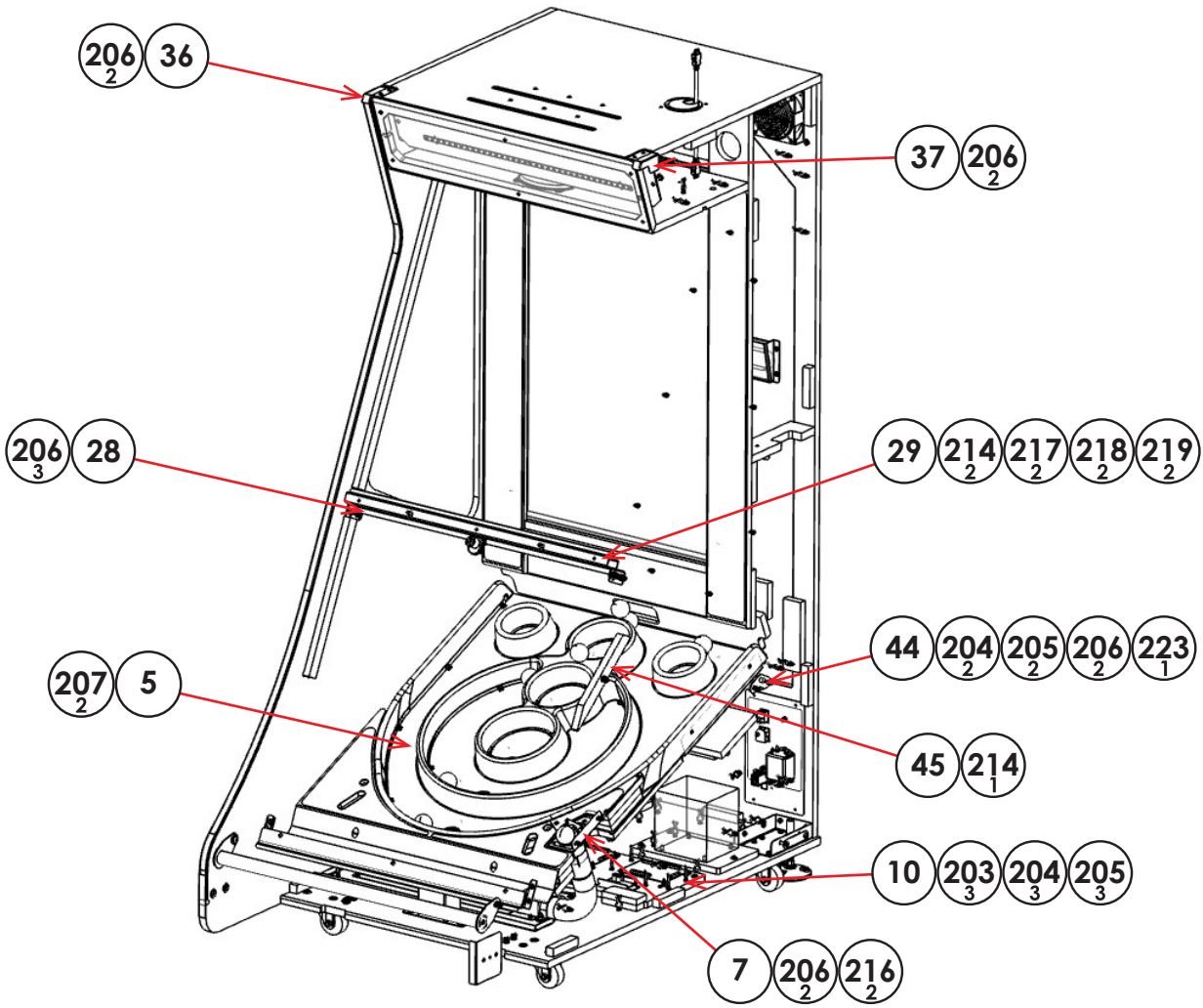


# ASSY 65 BILLBOARD DISPLAY (GM-0550UK)



ITEM NO	PART NO	DESCRIPTION	QTY
***1	GM-0551UK	SUPPORT 65 DISPLAY	2
***2	GM-0552UK	MOUNT 65 DISPLAY LH	1
***3	GM-0553UK	MOUNT 65 DISPLAY RH	1
***101	200-6065-LGTV	DISPLAY 65 TV UA73006LA	1
***201	029-B00612	M6X12 SKT BH PAS	4
***202	050-F00800	M8 NUT FLG SER PAS	4
***203	060-F00600	M6 WSHR FORM A FLT PAS	4
***204	060-S00600	M6 WSHR SPR PAS	4



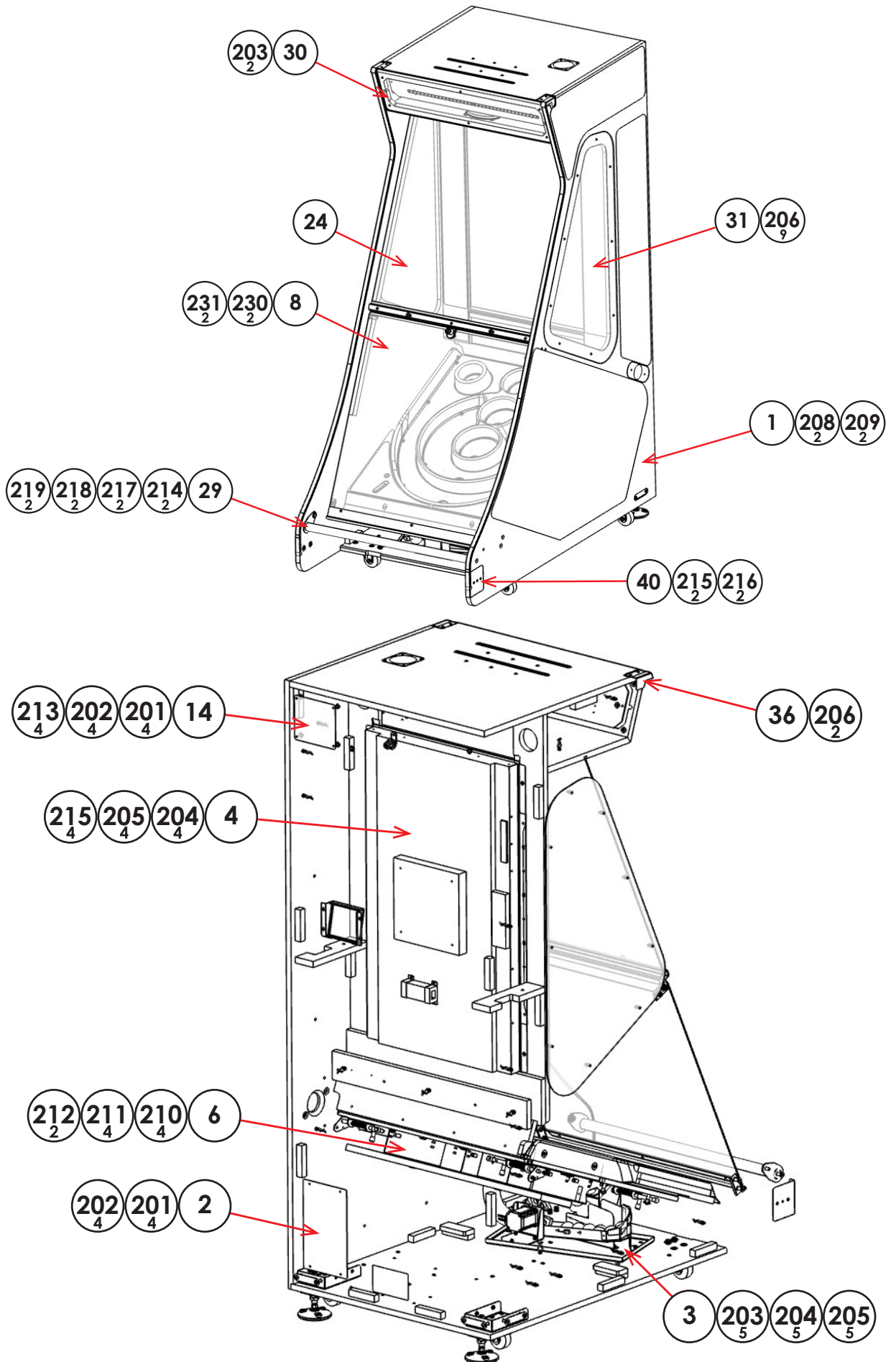


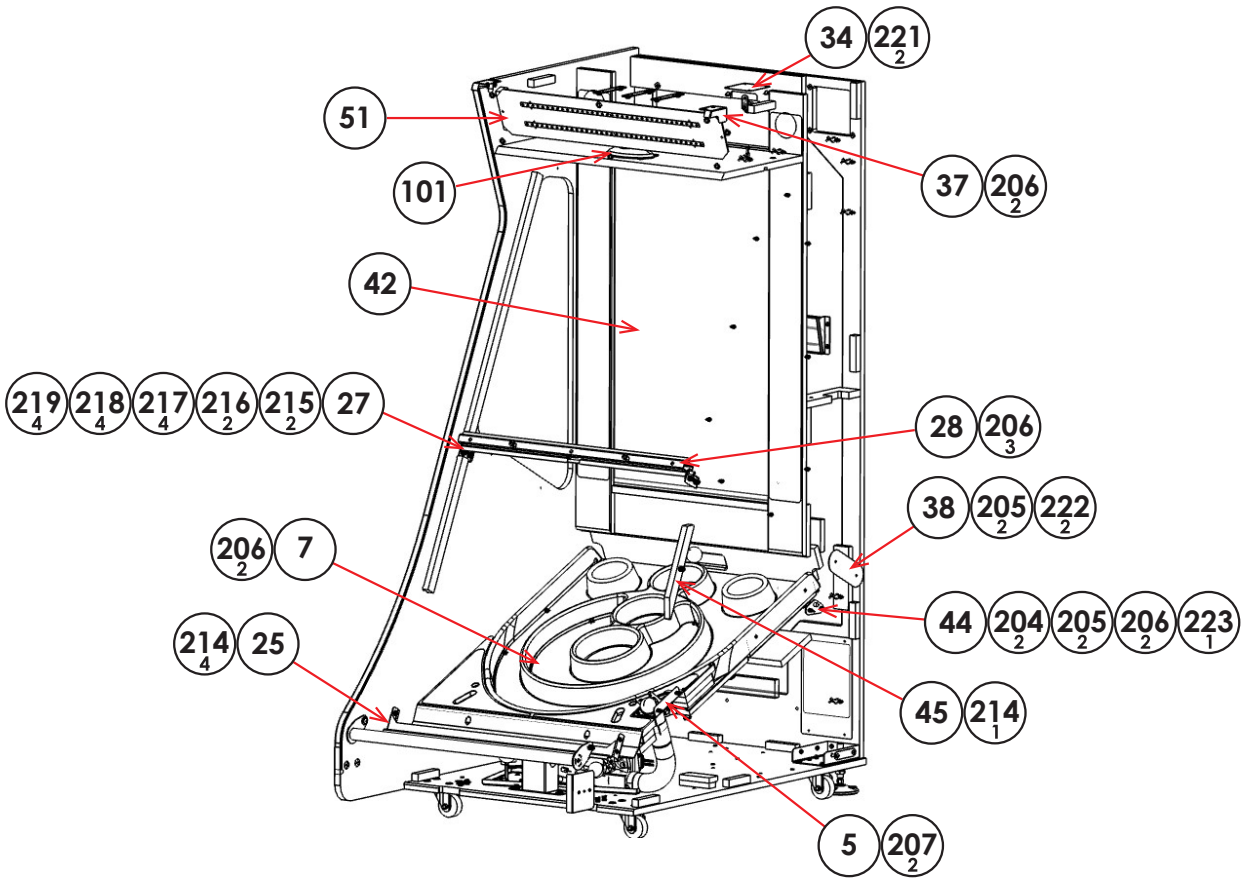


ITEM NO	PART NO	DESCRIPTION	QTY
**1	GM-1002UK	ASSY MON CABI	1
**2	GM-1080UK	ASSY AC UNIT	1
**3	GM-1100XUK	ASSY BALL RETURN	1
**4	GM-1200UK	ASSY 43 LED MONITOR MAK	1
**5	GM-1300XUK	ASSY PLAYFIELD	1
**6	GM-1400XUK	ASSY PLAYFIELD LOWER	1
**7	GM-1380XUK	ASSY BALL DISPENSE	1
**8	GM-1040XUK	ASSY GLASS LOWER	1
**9	GM-1350XUK	ASSY PLAYFIELD FRONT	1
**10	GM-4000UK	ASSY ELEC BD MOTOR	1
**11	GM-4100UK	ASSY ELEC BD PSU	1
**13	GM-4300UK	ASSY XFMR BD EMEA	1
**14	SND-1340UK	ASSY FAN	1
**21	GM-1004UK	BRKT BRACE GAMEBOARD TOP	1
**22	GM-1005UK	BRKT SUPPORT GAMEBOARD BTM	1
**24	GM-1007UK	GLASS UPPER	1
**25	GM-1008XUK	BRACE LOWER GLASS	1
**27	GM-1010XUK	BRACE MID GLASS	1
**28	GM-1011XUK	BRKT COVER BRACE MID	1
**29	GM-1012UK	BAR BRACE LOWER	1
**30	GM-1013UK	PANEL HEADER LED MTG	1
**31	GM-1014UK	WINDOW SIDE	1
**34	253-0019UK-OB	GROMMET CABLE BLACK (ST88B)	1
**36	GM-1019UK	COVER EDGE LIGHT TOP L	1
**37	GM-1020UK	COVER EDGE LIGHT TOP R	1
**38	GM-1021UK	PLATE BLANK PASSTHROUGH	1
**40	GM-1023UK	BRKT PROTECT CABI FRONT EDGE	2
**42	GM-1209UK	GLASS 43 SCREEN PROTECT	1
**43	GM-1203UK	PLATE MAK IEC MOUNT	1
**44	GM-1024UK	PLATE PLAYFIELD PIVOT	2
**45	GM-1025UK	STAY PLAYFIELD PIVOT	1
**101	130-04030-E-1	SPKR 4 OHM 30W VIS DX4X6 SINGLE	1
**102	610-0017-01UK	PC HIGH SPEC GM01	1
**103	838-8001UK	AUDIO AMP2.2 VISATON 7100	1
**104	280-A01264-WX	ROUTER TWIST D12 SO6.4 WOOD XL	4
**105	280-A02064-WX	ROUTER TWIST D20 SO6.4 WOOD XL	19
**106	601-0460	CABLE TIE NYLON 100MM	6
**107	OS1261	FOAM STRIP 6MM X 12MM	0.8m
**108	EP3006-00BL	DK PI-STD EU/US	1



ITEM NO	PART NO	DESCRIPTION	QTY
**201	029-B00425-OB	M4X25 SKT BH BLK	8
**202	068-441616-OB	M4 WSHR 16OD FLT BLK	8
**203	029-B00530	M5X30 SKT BH PAS	20
**204	060-S00500	M5 WSHR SPR PAS	22
**205	068-531610	M5 WSHR 16OD FLT PAS	28
**206	029-B00512-OB	M5X12 SKT BH BLK	22
**207	020-F00850	M8X50 SKT CSK PAS	2
**208	029-B00840	M8X40 SKT BH PAS	2
**209	050-F00800	M8 NUT FLG SER PAS	2
**210	068-852216	M8 WSHR 22OD FLT PAS	4
**211	029-B00825	M8X25 SKT BH PAS	4
**212	060-S00800	M8 WSHR SPR PAS	2
**213	060-S00400	M4 WSHR SPR PAS	6
**214	020-F00830-OB	M8X30 SKT CSK BLK	7
**215	029-B00516-OB	M5X16 SKT BH BLK	10
**216	068-531610-OB	M5 WSHR 16OD FLT BLK	10
**217	029-B00816-OB	M8X16 SKT BH BLK	6
**218	060-S00800-OB	M8 WSHR SPR BLK	6
**219	068-852216-OB	M8 WSHR 22OD FLT BLK	6
**220	020-F00880-OZ	M8X80 SKT CSK OZ	2
**221	029-B00525	M5X25 SKT BH PAS	6
**222	050-F00500	M5 NUT FLG SER PAS	2
**223	012-P03512-FB	N6X1/2" S/TAP FLG BLK	8
**224	029-B00416	M4X16 SKT BH PAS	2
**225	068-441616	M4 WSHR 16OD FLT PAS	2
**227	029-B00440-OB	M4X40 SKT BH BLK	2
**229	029-B00616	M6X16 SKT BH PAS	2
**230	000-F00310	M3X10 MSCR CSK PAS	2
**231	050-F00300	M3 NUT FLG SER PAS	2
**301	GM-60002UK	WH AC TO GAMEBOARD	1
**302	GM-60003UK	WH AC TO SCREEN 2	1
**303	GM-60004UK	WH AC TO MONITOR	1
**305	GM-60009UK	WH LEFT CAB IO UP	1
**306	GM-60010UK	WH LEFT CAB IO TO PLAYFIELD	1
**307	GM-60011UK	WH AUDIO AMP	1
**308	GM-60017UK	WH UPPER IO	1
**310	MI-60017UK	WH SPEAKER	1
**311	SAI-6101-2200UK	RGB FLX 10MM	2
**312	SAI-6503-0600UK	WHITE RIG 10MM	3
**313	600-7010-0300UK	CA HDMI TO HDMI 300CM	1
**314	600-7923-0200UK	CA DP TO DVI-D 200CM	2
**317	600-7020-200UK	ASSY USB CABLE TYPE A - B 200CM	2
**318	GM-60008UK	WH IO DISTRIBUTION	1
**319	600-7269-0150UK	LAN CABLE 150cm	1







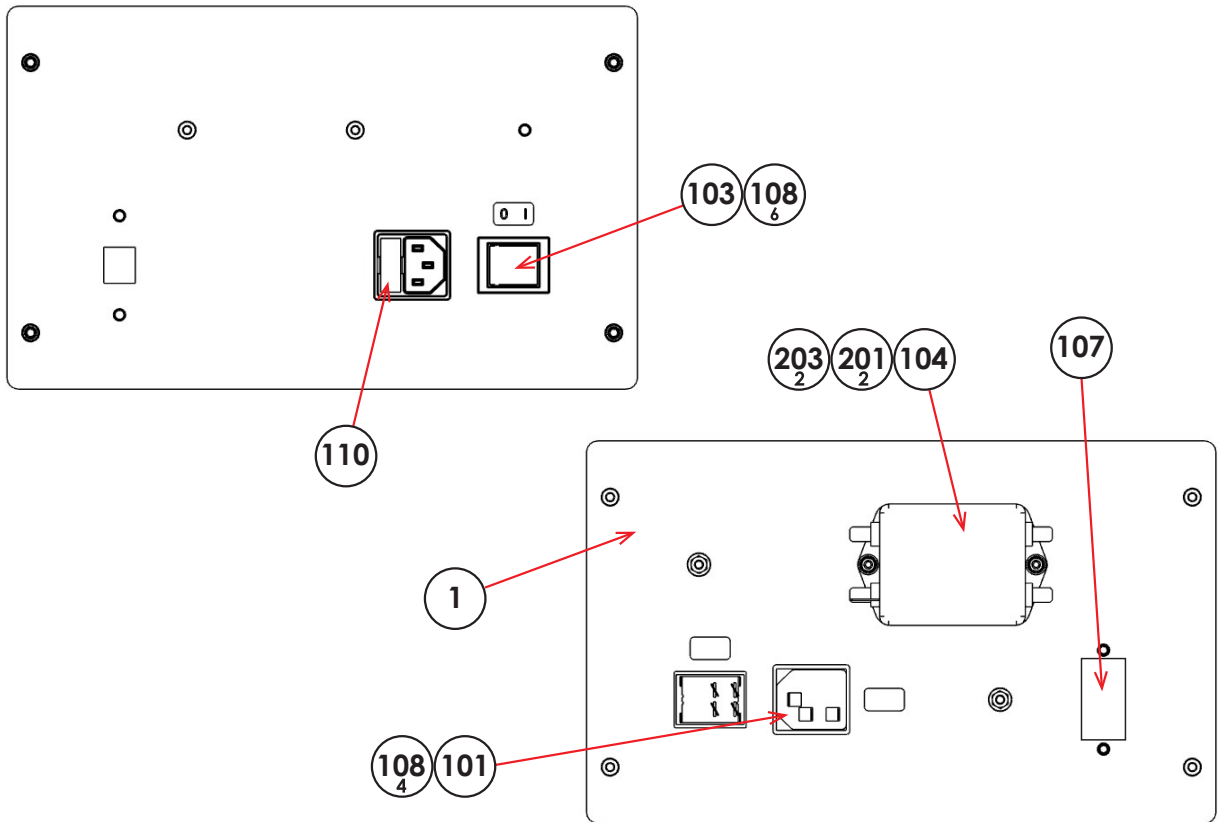
ITEM NO	PART NO	DESCRIPTION	QTY
**1	GM-1002UK	ASSY MON CABI	1
**2	GM-1003UK	PLATE AC BLANK	1
**3	GM-1100XUK	ASSY BALL RETURN	1
**4	GM-1200UK	ASSY 43 LED MONITOR MAK	1
**5	GM-1300XUK	ASSY PLAYFIELD	1
**6	GM-1400XUK	ASSY PLAYFIELD LOWER	1
**7	GM-1380XUK	ASSY BALL DISPENSE	1
**8	GM-1040XUK	ASSY GLASS LOWER	1
**9	GM-1350XUK	ASSY PLAYFIELD FRONT	1
**14	SAI-0010UK	PLATE BLANKING FAN	1
**24	GM-1007UK	GLASS UPPER	1
**25	GM-1008XUK	BRACE LOWER GLASS	1
**27	GM-1010XUK	BRACE MID GLASS	1
**28	GM-1011XUK	BRKT COVER BRACE MID	1
**29	GM-1012UK	BAR BRACE LOWER	1
**30	GM-1013UK	PANEL HEADER LED MTG	1
**31	GM-1014UK	WINDOW SIDE	2
**34	GM-1018UK	PLATE BILLBOARD LAN CABLE BLANK	1
**36	GM-1019UK	COVER EDGE LIGHT TOP L	1
**37	GM-1020UK	COVER EDGE LIGHT TOP R	1
**38	GM-1021UK	PLATE BLANK PASSTHROUGH	1
**40	GM-1023UK	BRKT PROTECT CABI FRONT EDGE	2
**42	GM-1209UK	GLASS 43 SCREEN PROTECT	1
**44	GM-1024UK	PLATE PLAYFIELD PIVOT	2
**45	GM-1025UK	STAY PLAYFIELD PIVOT	1
**101	130-04030-E-1	SPKR 4 OHM 30W VIS DX4X6 SINGLE	1
**104	280-A01264-WX	ROUTER TWIST D12 SO6.4 WOOD XL	9
**105	280-A02064-WX	ROUTER TWIST D20 SO6.4 WOOD XL	7
**106	601-0460	CABLE TIE NYLON 100MM	6
**107	OS1261	FOAM STRIP 6MM X 12MM	0.8m



<b>ITEM NO</b>	<b>PART NO</b>	<b>DESCRIPTION</b>	<b>QTY</b>
**201	029-B00425-OB	M4X25 SKT BH BLK	8
**202	068-441616-OB	M4 WSHR 16OD FLT BLK	8
**203	029-B00530	M5X30 SKT BH PAS	9
**204	060-S00500	M5 WSHR SPR PAS	13
**205	068-531610	M5 WSHR 16OD FLT PAS	17
**206	029-B00512-OB	M5X12 SKT BH BLK	31
**207	020-F00850	M8X50 SKT CSK PAS	2
**208	029-B00840	M8X40 SKT BH PAS	2
**209	050-F00800	M8 NUT FLG SER PAS	2
**210	068-852216	M8 WSHR 22OD FLT PAS	4
**211	029-B00825	M8X25 SKT BH PAS	4
**212	060-S00800	M8 WSHR SPR PAS	2
**213	060-S00400	M4 WSHR SPR PAS	4
**214	020-F00830-OB	M8X30 SKT CSK BLK	7
**215	029-B00516-OB	M5X16 SKT BH BLK	10
**216	068-531610-OB	M5 WSHR 16OD FLT BLK	10
**217	029-B00816-OB	M8X16 SKT BH BLK	6
**218	060-S00800-OB	M8 WSHR SPR BLK	6
**219	068-852216-OB	M8 WSHR 22OD FLT BLK	6
**220	020-F00880-OZ	M8X80 SKT CSK OZ	2
**221	029-B00525	M5X25 SKT BH PAS	6
**222	050-F00500	M5 NUT FLG SER PAS	2
**223	012-P03512-FB	N6X1/2" S/TAP FLG BLK	8
**227	029-B00440-OB	M4X40 SKT BH BLK	2
**230	000-F00310	M3X10 MSCR CSK PAS	2
**231	050-F00300	M3 NUT FLG SER PAS	2
**303	GM-60004UK	WH AC TO MONITOR	1
**304	GM-60012UK	WH RIGHT CAB IO DISTRIBUTION	1
**305	GM-60013UK	WH P2 IO UP	1
**308	GM-60017UK	WH UPPER IO	1
**310	MI-60017UK	WH SPEAKER	1
**311	SAI-6101-2200UK	RGB FLX 10MM	2
**312	SAI-6503-0600UK	WHITE RIG 10MM	3

**RTU PARTS** ASSY AC UNIT (GM-1080UK)

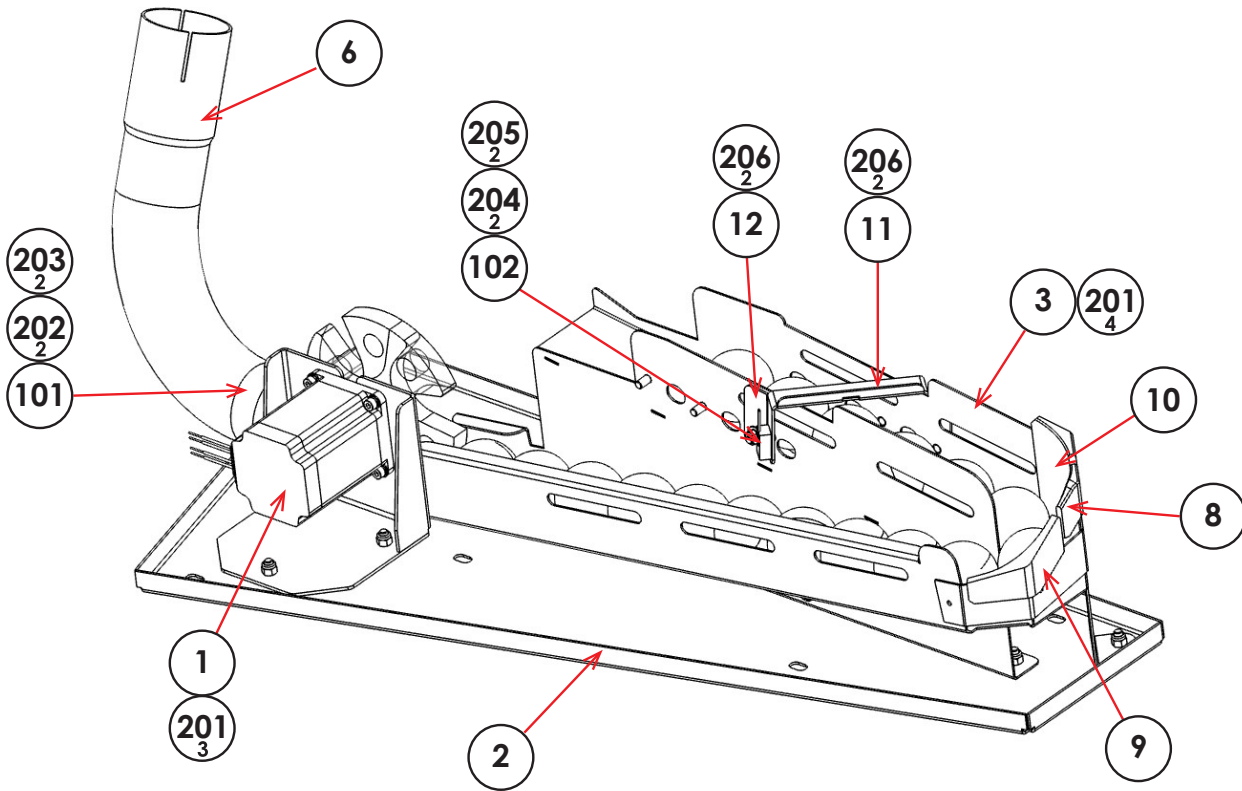
**PARTS LIST**



ITEM NO	PART NO	DESCRIPTION	QTY
***1	DA-1081UK	PLATE AC	1
***2	TFF-0402UK	CONN COVER	1
***101	EP1302	EUROSOCKET FUSED 10A 250VAC	1
***103	SW1109	SWITCH ROCKER 250V AC	1
***104	EP1419	FILTER SCHAFFNER 2030-16-06	1
***107	EP1391	COUPLER INLINE LAN RJ45	1
***108	310-5029-D508	HEAT SHRINK SLEEVING 50.8DIA	8cm
***110	514-5078-4000	FUSE 4A 20MM CER T R	2
***201	029-B00408	M4X8 SKT BH PAS	2
***202	050-F00400	M4 NUT FLG SER PAS	2
***203	060-S00400	M4 WSHR SPR PAS	2
***301	DA-60101UK	WH AC IN	1



# ASSY BALL RETURN (GM-1100XUK)

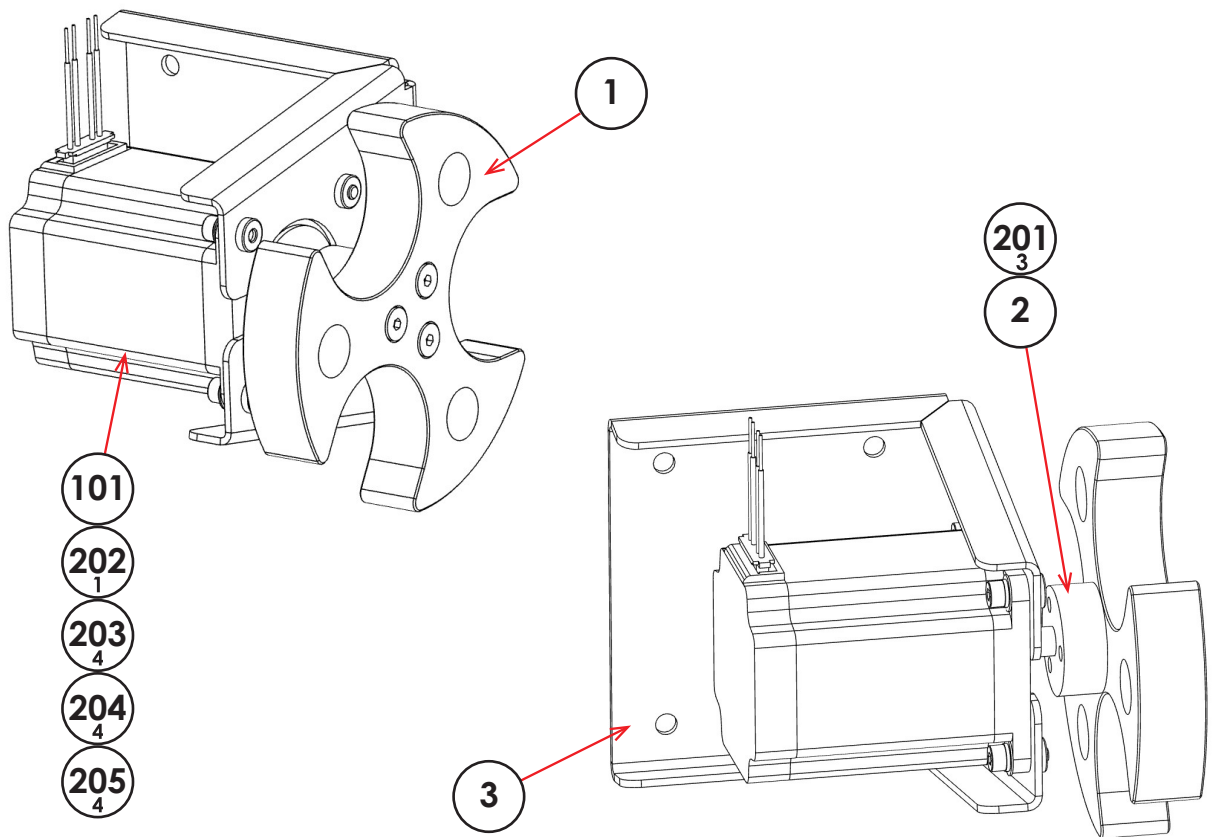


## PARTS LIST

ITEM NO	PART NO	DESCRIPTION	QTY
***1	GM-1150UK	ASSY MOTOR	1
***2	GM-1101UK	TRAY BASE	1
***3	GM-1102UK	CHUTE BALL MOTOR FEED	1
***6	GM-1105UK	TUBE FLARED 90DEG BEND	1
***8	GM-1107XUK	INSERT CHUTE CORNER MID	1
***9	GM-1108XUK	INSERT CHUTE CORNER LOWER	1
***10	GM-1109XUK	INSERT CHUTE CORNER UPPER	1
***11	GM-1110XUK	BRKT BALL SENSOR	1
***12	GM-1111XUK	BRKT LOW BALL SENSOR PROX	1
***101	250-0005UK	CLAMP PIPE 'U' HEAVY DUTY 50mm [2"] DIA	1
***102	370-5173-01	PHOTO SENSOR OMT-15DJST-YL	1
***103	601-0460	CABLE TIE NYLON 100MM	1
***104	EP1532	REFLECTIVE PHOTO SENSOR	1
***201	050-U00500	M5 NUT NYLOK PAS	7
***202	060-F00800	M8 WSHR FORM A FLT PAS	2
***203	050-U00800	M8 NUT NYLOK PAS	2
***204	050-F00300	M3 NUT FLG SER PAS	3
***205	029-B00312	M3X12 SKT BH PAS	2
***206	050-F00500	M5 NUT FLG SER PAS	4
***207	029-B00308	M3X8 SKT BH PAS	1
***301	GM-60014UK	WH BALL RELEASE	1

**BTU PARTS** ASSY MOTOR (GM-1150UK)

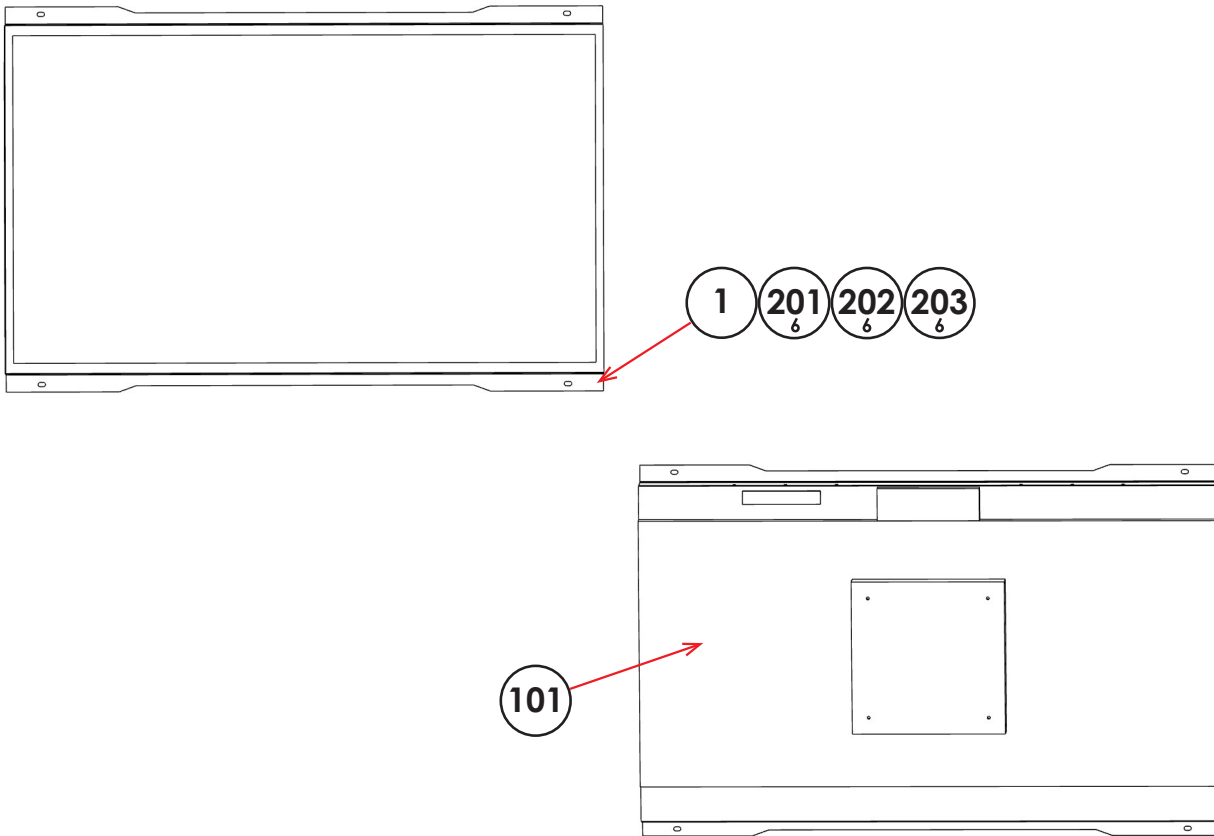
**PARTS LIST**



ITEM NO	PART NO	DESCRIPTION	QTY
****1	GM-1151UK	CAM GOLF BALL	1
****2	GM-1152UK	BLOCK CAM GOLF BALL	1
****3	GM-1153UK	BASE MTG MOTOR	1
****101	350-OM-024-266S-UK	MOTOR STEPPER 60MM BIPOLAR - PKP266D28A2	1
****201	020-F00530	M5X30 SKT CSK PAS	3
****202	028-A00512-P	M5X12 GSCR SKT CUP P	1
****203	020-000412	M4X12 SKT CAP	4
****204	060-S00400	M4 WSHR SPR PAS	4
****205	060-F00400	M4 WSHR FORM A FLT PAS	4



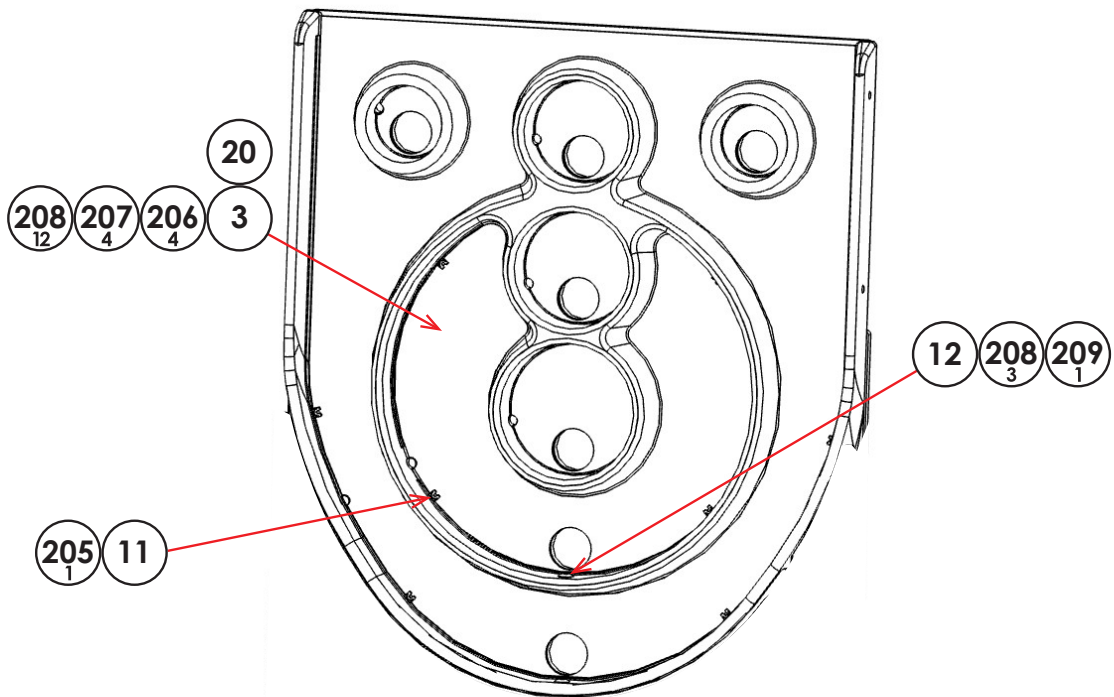
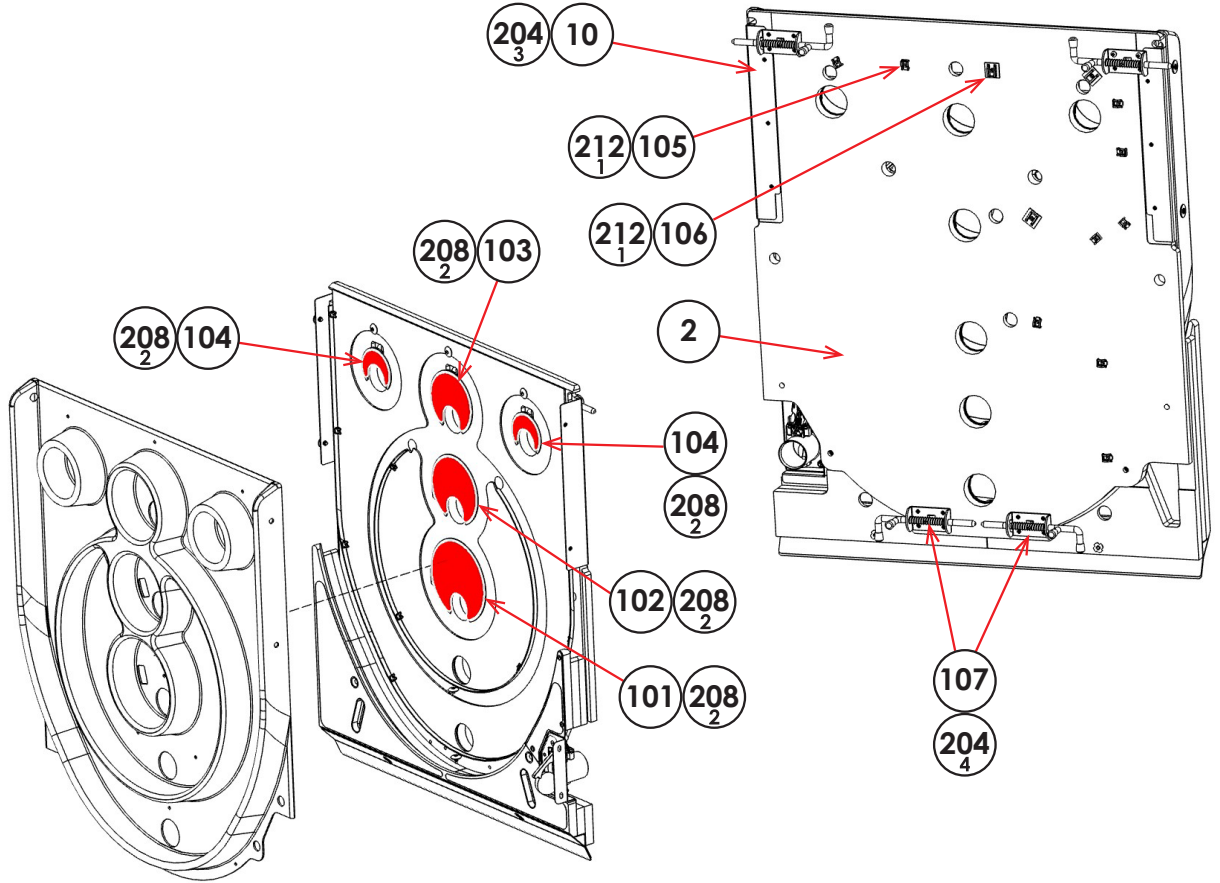
# ASSY 43 LED MONITOR MAK (GM-1200UK)



## PARTS LIST

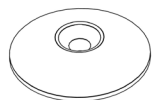
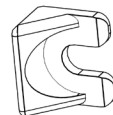
ITEM NO	PART NO	DESCRIPTION	QTY
***1	GM-1201UK	BRKT MON MTG MAK	2
***101	200-6043-01-MV	DISPLAY 43" MT43W-267C3	1
***201	029-B00412	M4X12 SKT BH PAS	12
***202	060-S00400	M4 WSHR SPR PAS	12
***203	068-441616	M4 WSHR 16OD FLT PAS	12

**PARTS LIST**



PART 11

PART 12



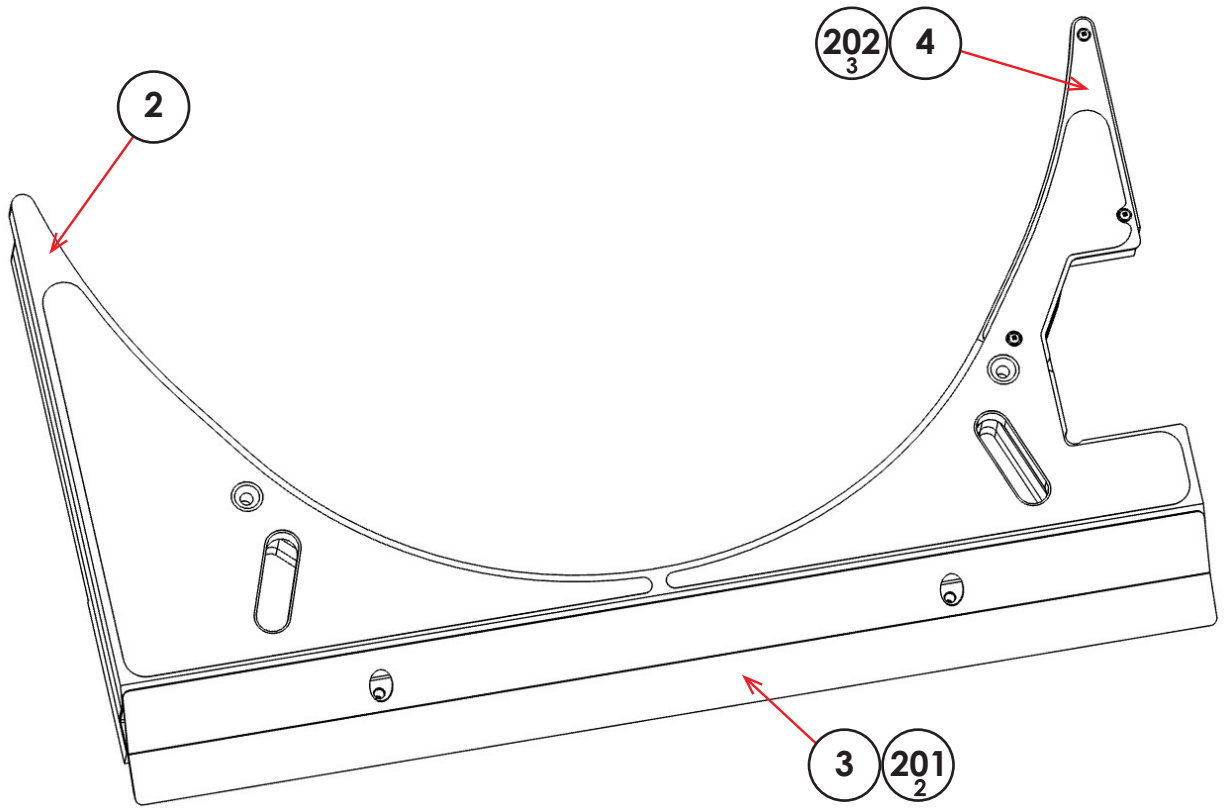


ITEM NO	PART NO	DESCRIPTION	QTY
***2	GM-1302XUK	PLAYFIELD	1
***3	GM-1307XUK	VAC PLAYFIELD	1
***10	GM-1308XUK	BRKT RETAINER VAC	2
***11	GM-1309XUK	BRKT RETAIN LED	12
***12	GM-1310XUK	BUMP BALL BRAKE	5
***20	<b>GM-1311XUK</b>	<b>INSERTS TARGET CUPS LAYOUT</b>	<b>1</b>
***101	838-0077-164UK	PCBA IPIXEL LED PCB HOLE 3	1
***102	838-0077-140UK	PCBA IPIXEL LED PCB HOLE 4	1
***103	838-0077-126UK	PCBA IPIXEL LED PCB HOLE 5	1
***104	838-0077-088UK	PCBA IPIXEL LED PCB HOLE 6 & 7	2
***105	280-0023UK	FLAT CABLE CLIP 6.4MM ESSENTRA SFCC-4-01	11
***106	280-0024UK	FLAT CABLE CLIP 6.4MM ESSENTRA SFCC-8-01	2
***107	601-0020UK	SPRING BOLT 10MM (4032-10ZP)	3
***203	060-S00500	M5 WSHR SPR PAS	12
***204	029-B00516	M5X16 SKT BH PAS	18
***205	012-P03512-FB	N6X1/2" S/TAP FLG BLK	12
***206	020-F00512	M5X12 SKT CSK PAS	4
***207	068-852216	M8 WSHR 22OD FLT PAS	4
***208	012-F00312	N4X1/2" S/TAP CSK PAS	25
***209	047-FA3212-0	DIA 3.2X12 RVT CSK AL	2
***212	012-F03509	N6X3/8" S/TAP CSK PAS	13
***301	GM-60015UK	WH PLAYFIELD LED	1
***302	<b>GM-6001UK</b>	<b>ASSY HOLE 1</b>	<b>1</b>
***303	<b>GM-6002UK</b>	<b>ASSY HOLE 2</b>	<b>1</b>



# ASSY PLAYFIELD FRONT (GM-1350XUK)

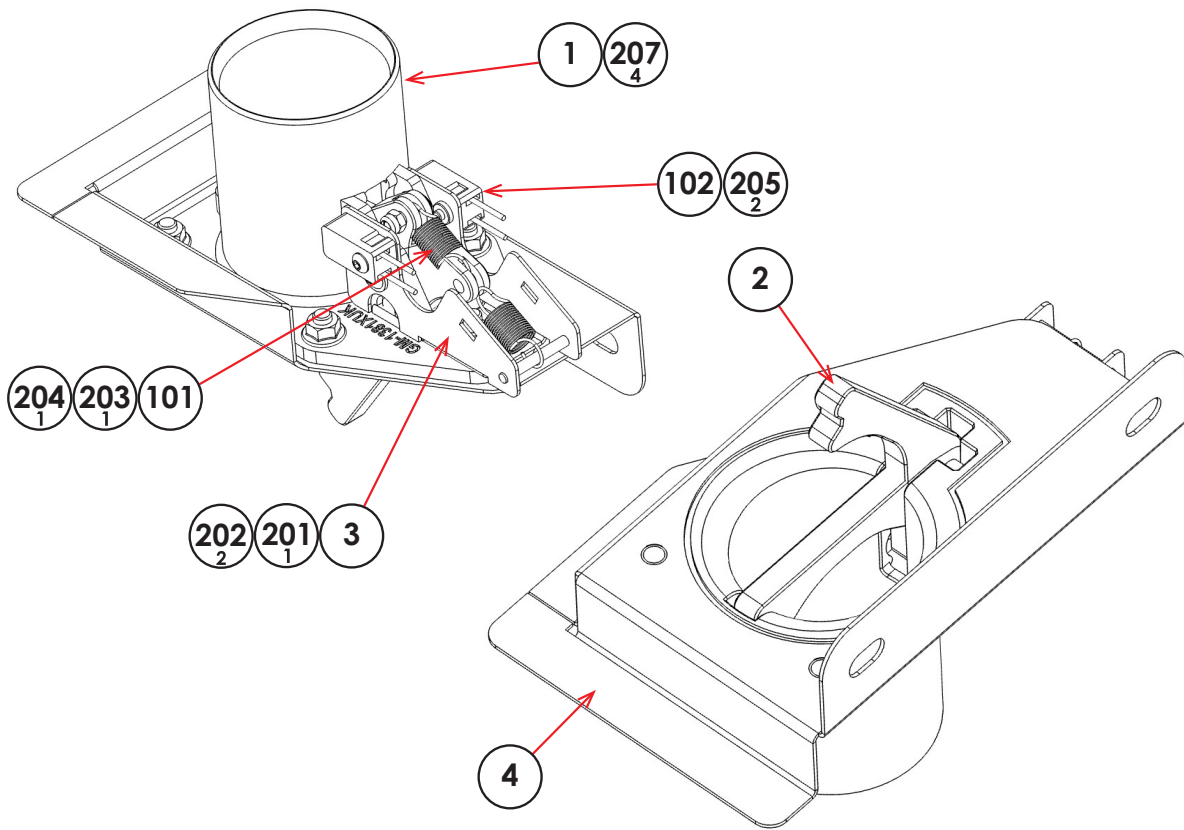
**PARTS LIST**



ITEM NO	PART NO	DESCRIPTION	QTY
****2	GM-1352XUK	BLOCK PLAYFIELD FRONT	1
****3	GM-1353XUK	BRKT CLOSING PLAYFIELD FRONT	1
****4	GM-1354XUK	PLATE SUPP BLOCK PLAYFIELD FRONT	1
****201	029-B00530-0B	M5X30 SKT BH BLK	2
****202	012-P03512-FB	N6X1/2" S/TAP FLG BLACK	3



# ASSY BALL DISPENSE (GM-1380XUK)



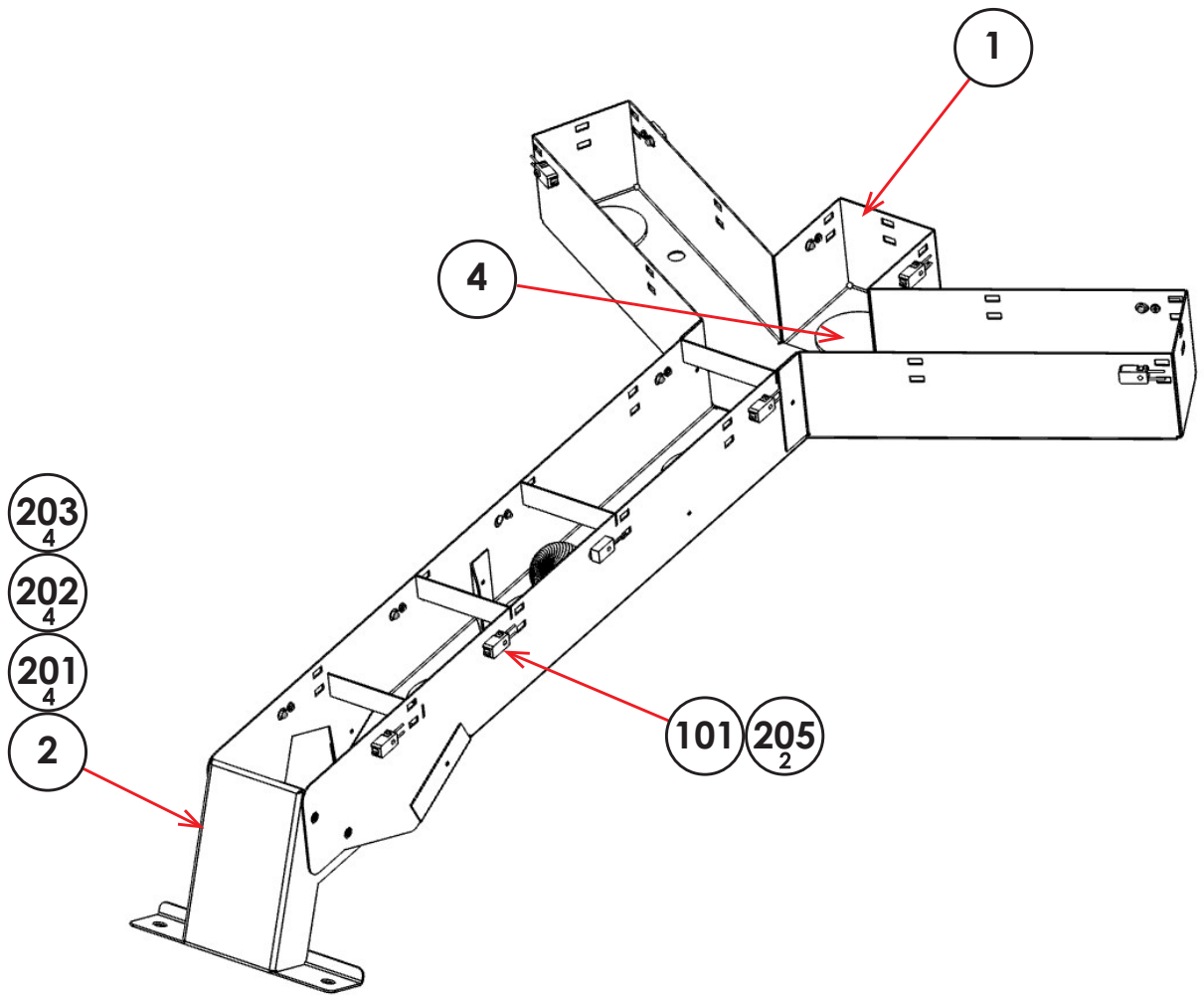
## PARTS LIST

ITEM NO	PART NO	DESCRIPTION	QTY
****1	GM-1381XUK	SURROUND BALL DISPENSE	1
****2	GM-1382UK	TONGUE BALL DISPENSE	1
****3	GM-1383XUK	BRKT MTG SENSOR/SPRING	1
****4	GM-1384XUK	BRKT MTG BALL DISPENSE	1
****101	125-0013UK	SPRING EXT PUTT-IT TONGUE	1
****102	EP1525	OPTO PAIR ADAFRUIT 2168	1
***103	601-0460	CABLE TIE NYLON 100MM	2
***104	OS1098	CRIMP BELL END SMALL	5
****201	029-B00512	M5X12 SKT BH PAS	1
****202	012-P03506-F	N6X1/4" S/TAP FLG PAS	2
****203	039-0002UK	M3X12 8MM SHOULDER ULTRA LOW HEAD STNLS	1
****204	050-U00300	M3 NUT NYLOK PAS	1
****205	029-B00312	M3X12 SKT BH PAS	2
****207	050-F00500	M5 NUT FLG SER PAS	4
****301	GM-60024UK	WH OPTO EXTEND	1
****302	SAI-60013UK	WH 2 WAY SM ADAPTOR	1
****303	SAI-60014UK	WH 3 WAY SM ADAPTOR	1



# ASSY PLAYFIELD LOWER (GM-1400XUK)

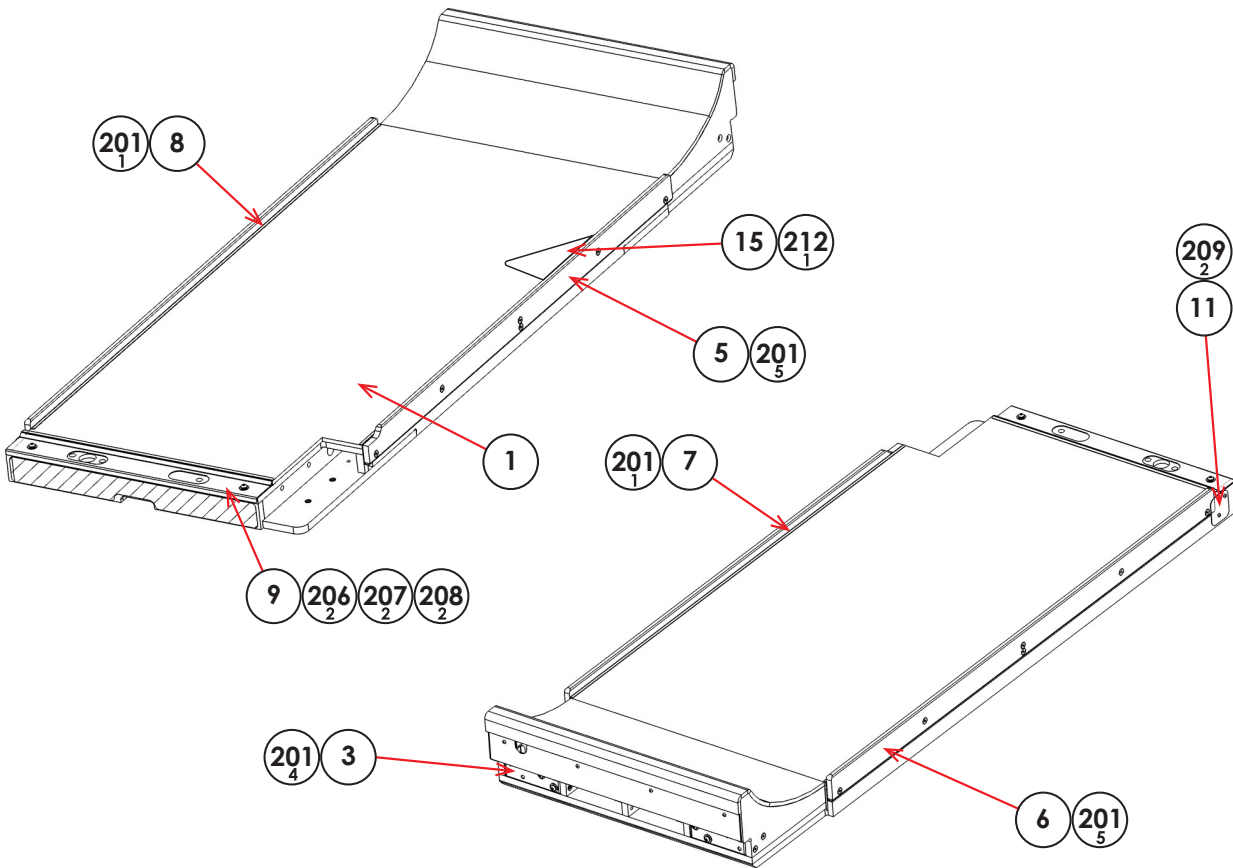
## PARTS LIST



ITEM NO	PART NO	DESCRIPTION	QTY
***1	GM-1402XUK	RUNDOWN CHUTE	1
***2	GM-1403XUK	BRKT MTG FLOOR	1
***4	GM-1405UK	PAD BALL CUSHION	7
***101	EP1525	OPTO PAIR ADAFRUIT 2168	7
***102	601-0460	CABLE TIE NYLON 100MM	21
***201	029-B00516	M5X16 SKT BH PAS	4
***202	060-S00500	M5 WSHR SPR PAS	4
***203	068-531610	M5 WSHR 16OD FLT PAS	4
***205	000-P00312	M3X12 MSCR PAN PAS	14
***301	GM-60016UK	WH PLAYFIELD SENSORS	1



# ASSY FLOOR L (GM-3000UK)

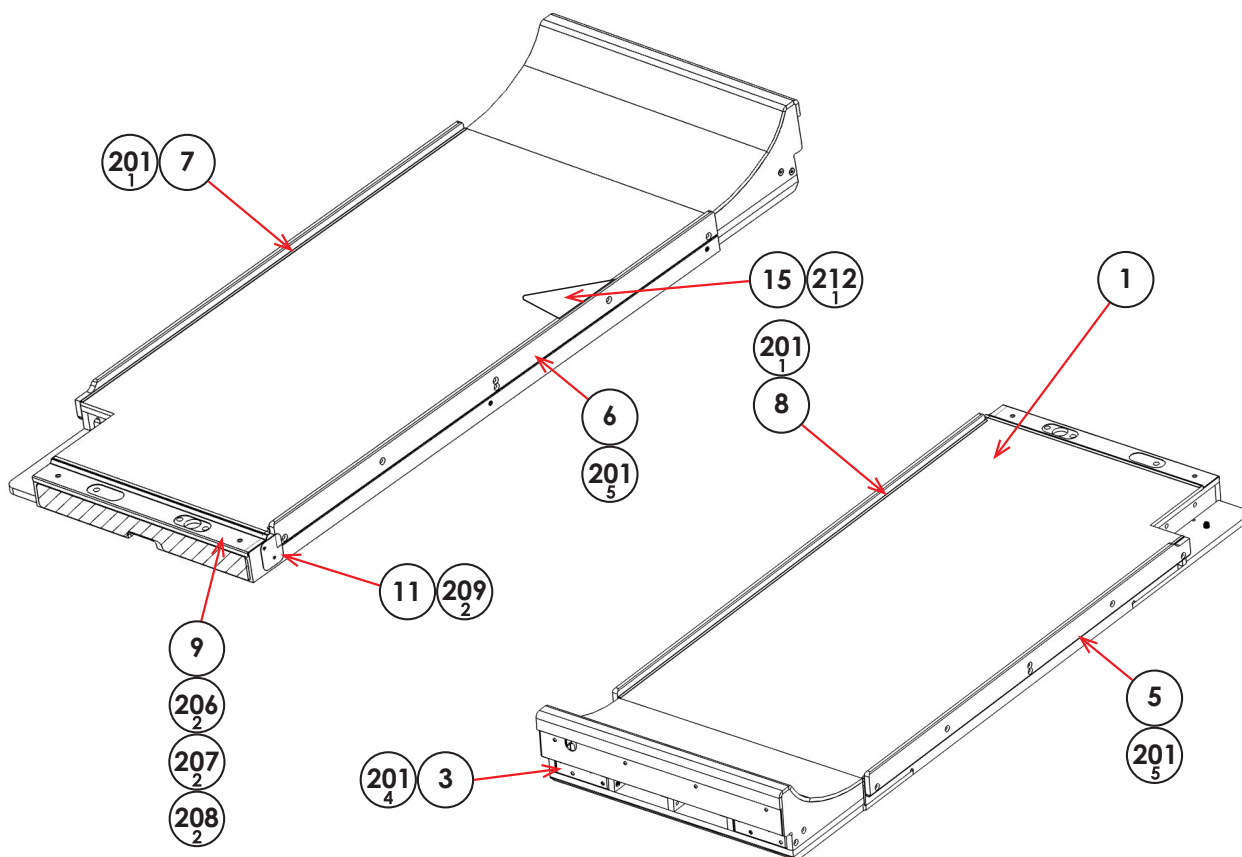


## PARTS LIST

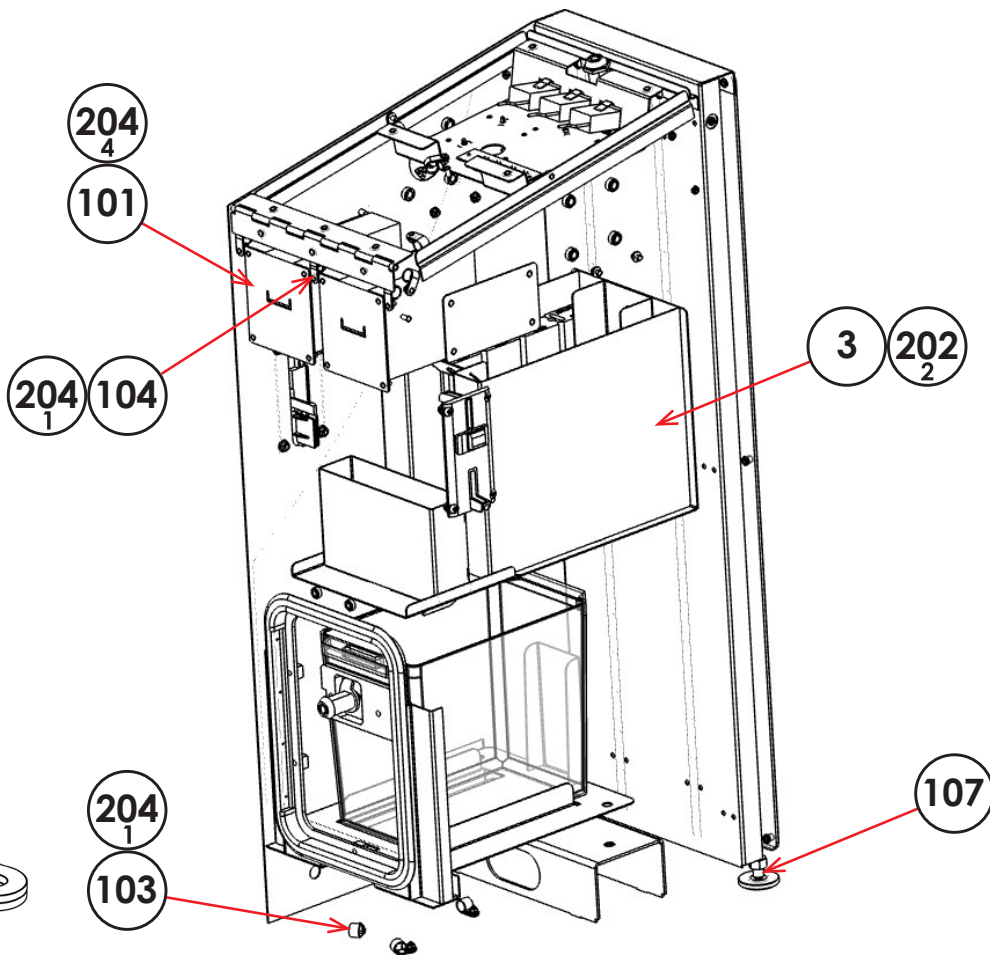
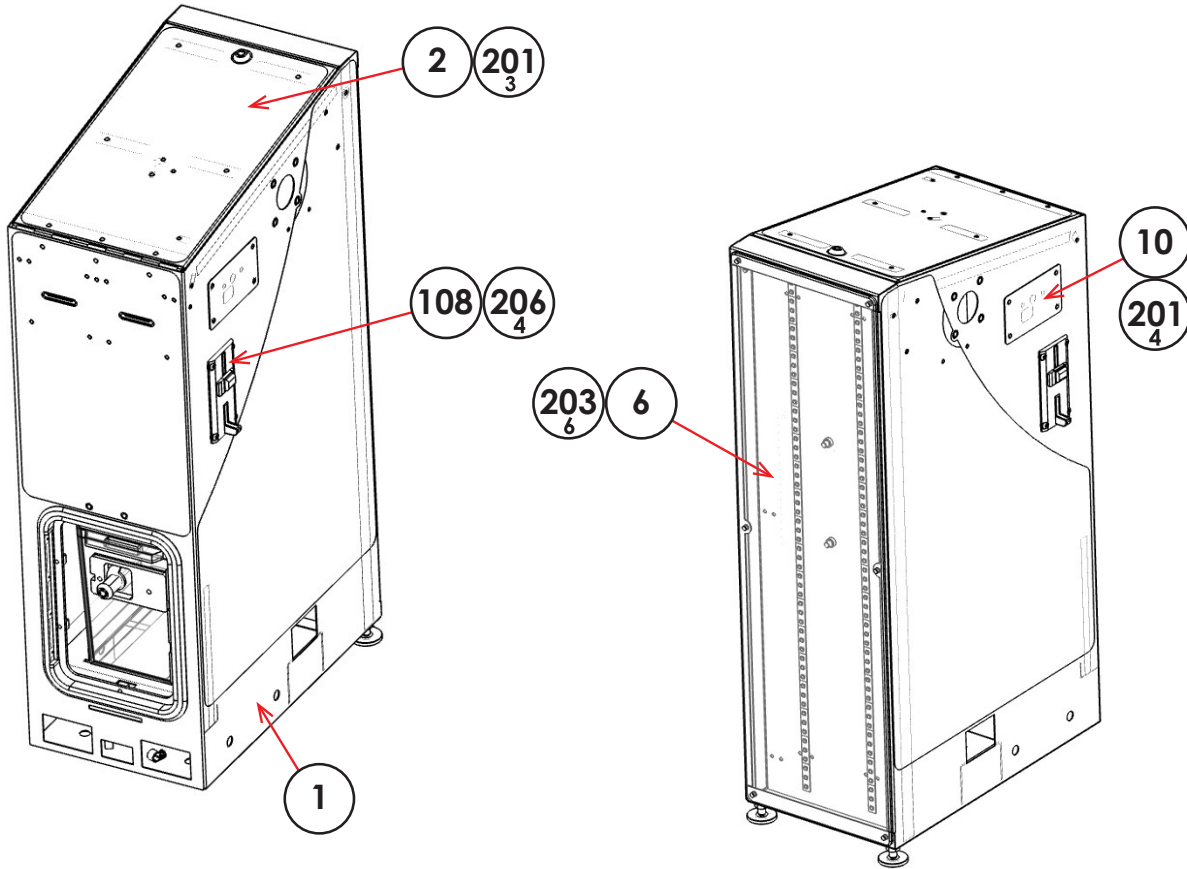
ITEM NO	PART NO	DESCRIPTION	QTY
***1	GM-3002UK	ASSY FLOOR L CABI	1
***3	GM-3017UK	BRKT BRACE CONNECT	2
***5	GM-3005UK	LIGHT FLOOR SIDE INNER	1
***6	GM-3006UK	LIGHT FLOOR SIDE OUTER	1
***7	GM-3007UK	BRKT LIGHT FLOOR SIDE INNER	1
***8	GM-3008UK	BRKT LIGHT FLOOR SIDE OUTER	1
***9	GM-3009UK	BRKT FLOOR END	1
***11	GM-3011UK	COVER SIDE	1
***13	GM-3015UK	STICKER FLOOR BACK	1
***14	GM-3016UK	STICKER FLOOR SIDE	1
***15	GM-3021UK	DEFLECTOR BALL	1
***101	280-A01264-WX	ROUTER TWIST D12 SO6.4 WOOD XL	9
***201	020-F00830	M8X30 SKT CSK PAS	20
***206	029-B00840-OB	M8X40 SKT BH BLK	2
***207	060-S00800-OB	M8 WSHR SPR BLK	2
***208	068-852216-OB	M8 WSHR 22OD FLT BLK	2
***209	029-B00516-OB	M5X16 SKT BH BLK	2
***211	020-F00850	M8X50 SKT CSK PAS	2
***212	012-F00545	N10X1 3/4" S/TAP CSK PAS	2
***301	GM-60018UK	WH BASE FAIRWAY P1	1
***302	GM-60019UK	WH FAIRWAY LED	1
***303	SAI-6111-1350UK	RGB FLX WP 10MM	1
***304	SAI-6111-1500UK	RGB FLX WP 10MM	1

**RTU PARTS** ASSY FLOOR R (GM-3500UK)

**PARTS LIST**



ITEM NO	PART NO	DESCRIPTION	QTY
***1	GM-3502UK	ASSY FLOOR R CABI	1
***3	GM-3017UK	BRKT BRACE CONNECT	2
***5	GM-3005UK	LIGHT FLOOR SIDE INNER	1
***6	GM-3006UK	LIGHT FLOOR SIDE OUTER	1
***7	GM-3007UK	BRKT LIGHT FLOOR SIDE INNER	1
***8	GM-3008UK	BRKT LIGHT FLOOR SIDE OUTER	1
***9	GM-3009UK	BRKT FLOOR END	1
***11	GM-3011UK	COVER SIDE	1
***13	GM-3015UK	STICKER FLOOR BACK	1
***14	GM-3016UK	STICKER FLOOR SIDE	1
***15	GM-3021UK	DEFLECTOR BALL	1
***101	280-A01264-WX	ROUTER TWIST D12 SO6.4 WOOD XL	2
***201	020-F00830	M8X30 SKT CSK PAS	20
***206	029-B00840-OB	M8X40 SKT BH BLK	2
***207	060-S00800-OB	M8 WSHR SPR BLK	2
***208	068-852216-OB	M8 WSHR 22OD FLT BLK	2
***209	029-B00516-OB	M5X16 SKT BH BLK	2
***211	020-F00850	M8X50 SKT CSK PAS	2
***212	012-F00545	N10X1 3/4" S/TAP CSK PAS	2
***302	GM-60019UK	WH FAIRWAY LED	1
***303	SAI-6111-1350UK	RGB FLX WP 10MM	1
***304	SAI-6111-1500UK	RGB FLX WP 10MM	1





## ASSY CCT (GM-3800UK)

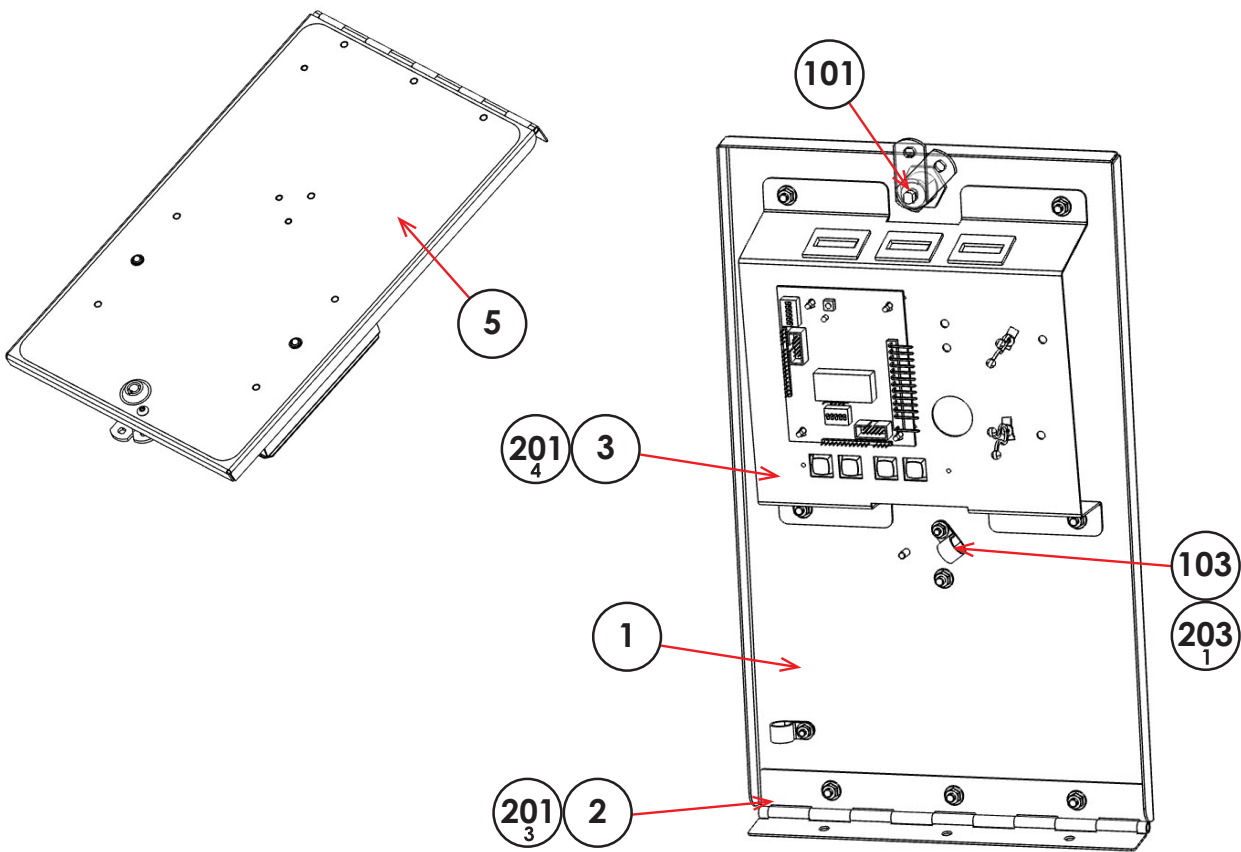
(2/2)

PARTS LIST

ITEM NO	PART NO	DESCRIPTION	QTY
***1	GM-3801UK	BOX CCT	1
***2	<b>GM-3850UK</b>	<b>ASSY LID CCT</b>	1
***3	GM-3802UK	TICKET HOLDER DUAL	1
***6	<b>GM-3805UK</b>	<b>COVER LIGHTBOX END</b>	<b>1</b>
***10	GM-3809UK	PLATE BLANKING MECH/CARD READER	2
***101	220-0001-01UK	TICKET VEND UNIT TD-963CR	2
***103	OS1198	P CLIP 11MM	6
***105	601-0460	CABLE TIE NYLON 100MM	4
***107	601-0018UK	LEG ADJ M10X26X40DIA OL/NUT	2
***108	220-FP-KAIZEN	KAIZEN GREY COIN FACE PLATE NRI/ALBERICI	2
***201	050-F00500	M5 NUT FLG SER PAS	19
***202	029-B00816	M8X16 SKT BH PAS	2
***203	029-B00516-OB	M5X16 SKT BH BLK	6
***204	050-F00400	M4 NUT FLG SER PAS	18
***206	029-B00512-OB	M5X12 SKT BH BLK	8
***301	GM-60020UK	WH CONTROL CAB	1
***304	SAI-6503-0800UK	WHITE RIG 10MM	2



# ASSY LID CCT (GM-3850UK)

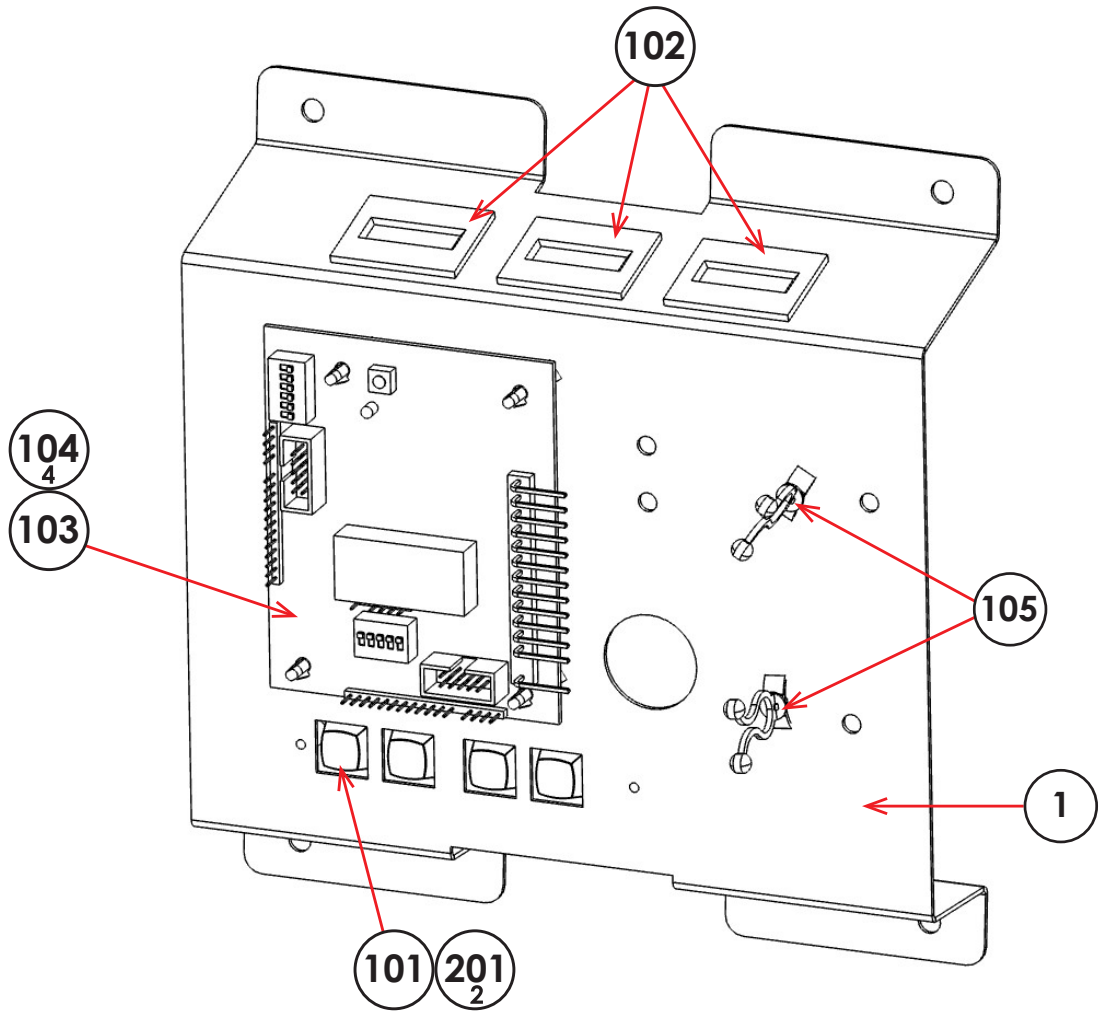


## PARTS LIST

ITEM NO	PART NO	DESCRIPTION	QTY
****1	GM-3851UK	LID CCT	1
****2	GM-3852UK	HINGE CCT	1
****3	<b>GM-3880UK</b>	<b>ASSY SW UNIT</b>	<b>1</b>
****5	<b>GM-3854UK</b>	<b>STICKER LID</b>	<b>1</b>
****101	220-5575UK	LOCK (J9117) KEY TO LIKE 22MM W CAM	1
****103	OS1198	P CLIP 11MM	2
****201	050-F00500	M5 NUT FLG SER PAS	7
****203	050-F00400	M4 NUT FLG SER PAS	2

**BTI PARTS** ASSY SW UNIT (GM-3880UK)

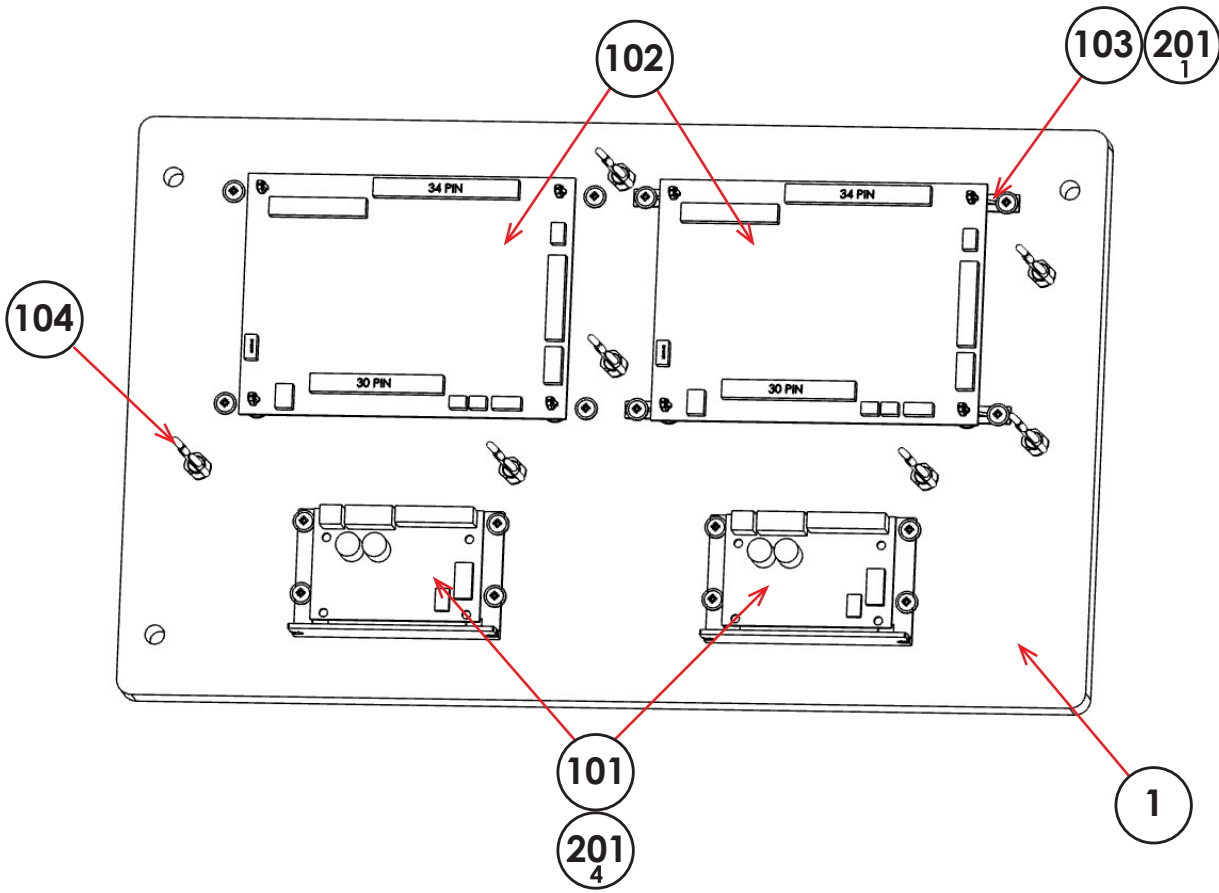
**PARTS LIST**



ITEM NO	PART NO	DESCRIPTION	QTY
****1	GM-3881UK	SW BRKT DIG TRIPLE METER	1
****101	838-0058UK	PCBA DIGITAL SW VOL BD	1
****102	220-5643UK	COIN METER SMALL 12V	3
****103	EP1380-01	CREDIT BOARD EXCEL	1
****104	280-L00706-PM	STANDOFF 6.4MM HOLE PM	4
****201	029-B00308	M3X8 SKT BH PAS	2
****301	GM-60021UK	WH COIN & TEST	1



# ASSY ELEC BOARD MOTOR (GM-4000UK)



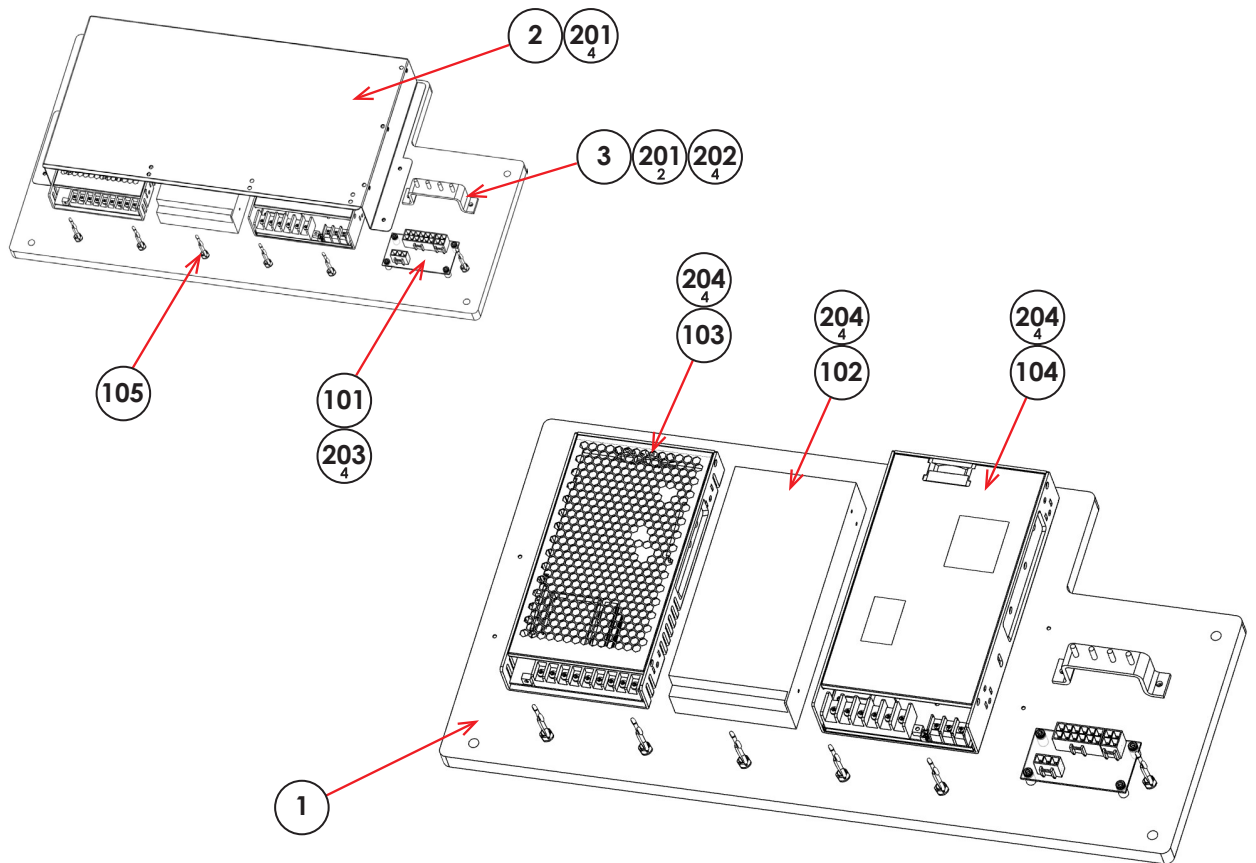
## PARTS LIST

ITEM NO	PART NO	DESCRIPTION	QTY
***1	GM-4001UK	BOARD ELEC	1
***101	350-OM-024-06D-UK	ORIENTAL MOTOR DRIVER CVD228BR-K	2
***102	838-0042UK	PCBA IO2	2
***103	OS1011	PCB FEET RICHSO LCBS-L-5-01	8
***104	280-A01264-WX	ROUTER TWIST D12 SO6.4 WOOD XL	7
***201	012-P03506-F	N6X1/4" S/TAP FLG PAS	16
***301	GM-60006UK	WH DC IO ELEC BOARD	1
***302	GM-60007UK	WH IO2 LEFT & RIGHT	2



## ASSY ELEC BOARD PSU (GM-4100UK)

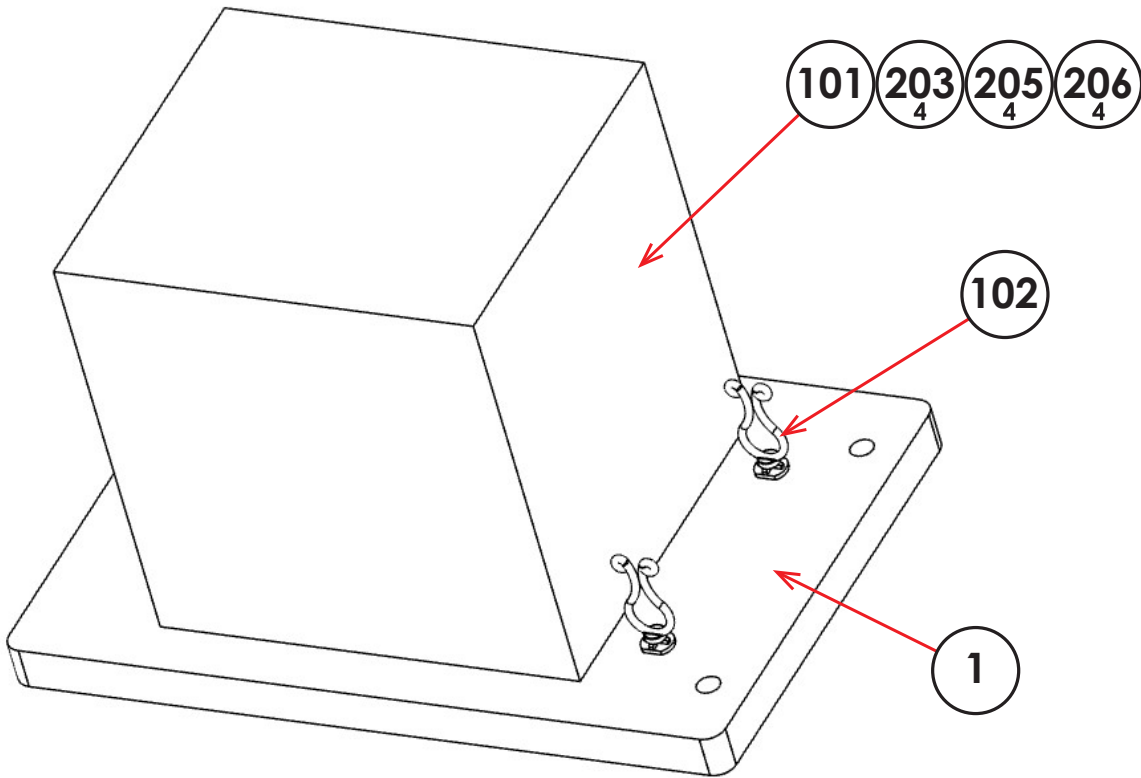
### PARTS LIST



ITEM NO	PART NO	DESCRIPTION	QTY
***1	GM-4101UK	BOARD PSU	1
***2	GM-4102UK	COVER PSU	1
***3	CFB-4003-01UK	EARTH TERMINAL PLATE	1
***101	838-14551-02UK	DISTRIBUTION BOARD	1
***102	400-015-005-03	PSU 5VDC 15W MW RS-15-5	1
***103	400-320-012-01	PSU 12VDC 320W RSP-320-12	1
***104	400-150-024-03	PSU 24VDC 150W RSP-150-24	1
***105	280-A01264-WX	ROUTER TWIST D12 SO6.4 WOOD XL	6
***106	400-025-012-01	PSU 12VDC 25W MW RS-25-12	1
***201	012-P03512-F	N6X1/2" S/TAP FLG PAS	6
***202	050-F00400	M4 NUT FLG SER PAS	4
***203	012-P00325	N4X1" S/TAP PAN PAS	4
***204	000-F00416	M4X16 MSCR CSK PAS	8
***205	029-B00312	M3X12 SKT BH PAS	4
***206	060-F00300	M3 WSHR FORM A FLT PAS	4
***301	GM-60001UK	WH AC TO PSU	1
***302	GM-60005UK	WH DC PSU BOARD	1



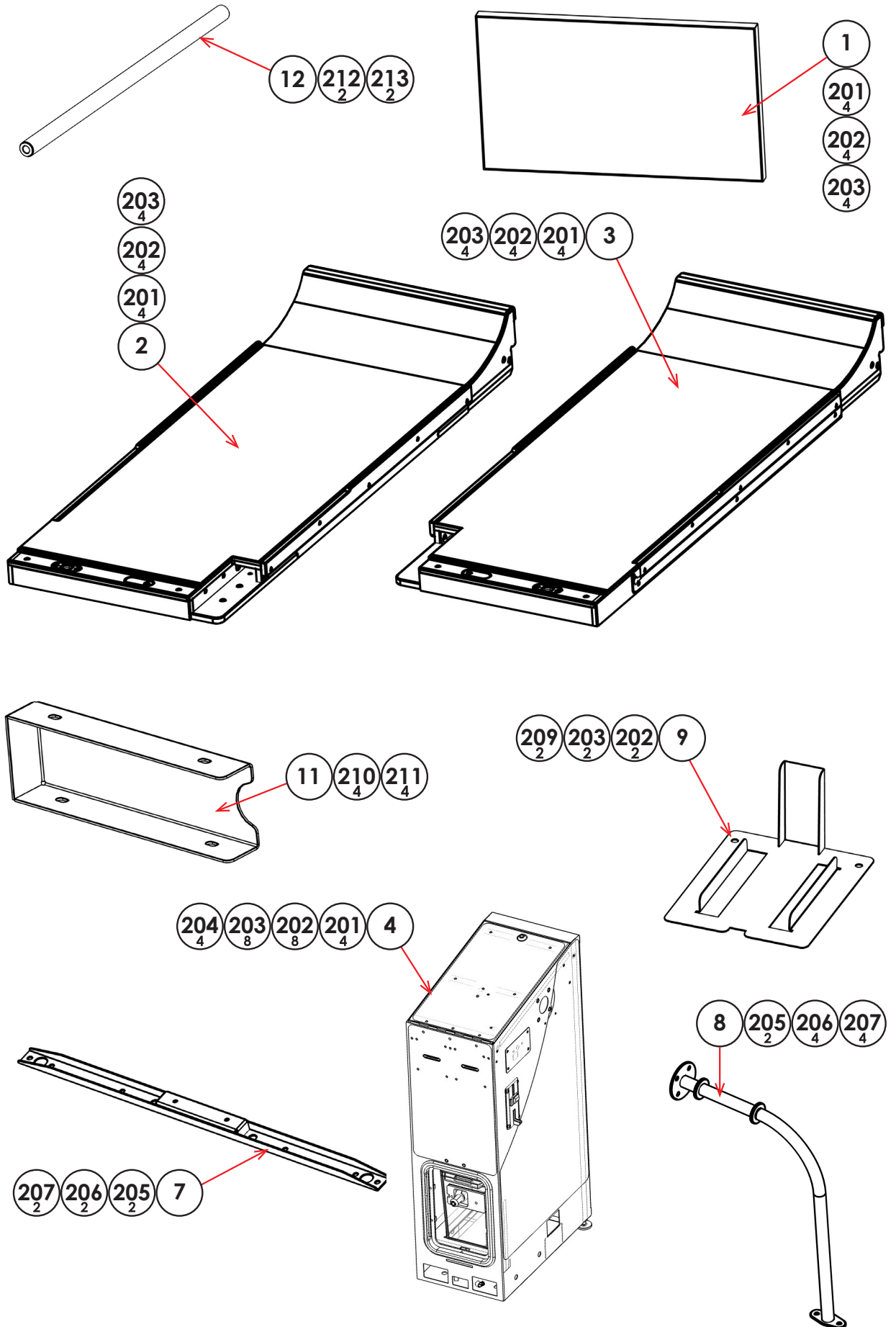
# ASSY XFMR BD EMEA (GM-4300UK)\*

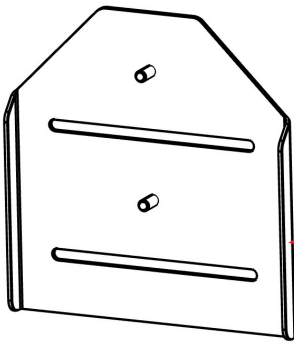


## PARTS LIST

ITEM NO	PART NO	DESCRIPTION	QTY
***1	GM-4301UK	BOARD XFMR	1
***101	560-2323-01UK	XFMR CE BLOCK 230 500VA	1
***102	280-A01264-WX	ROUTER TWIST D12 SO6.4 WOOD XL	2
***203	029-B00616	M6X16 SKT BH PAS	4
***205	060-S00600	M6 WSHR SPR PAS	4
***206	068-652016	M6 WSHR 200D FLT PAS	4
***301	MSJ-60002UK	WH TRANSFORMER	1

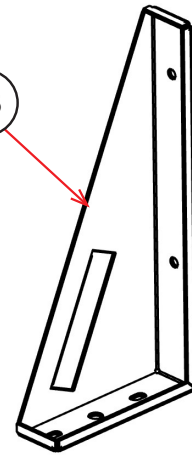
\*Transformer Board will only be fitted to specific Cabinets where required



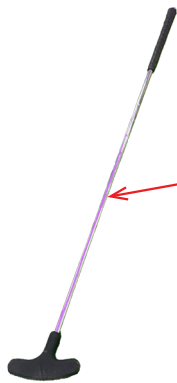


14 215  
2

214 203 202 13  
2 2 2

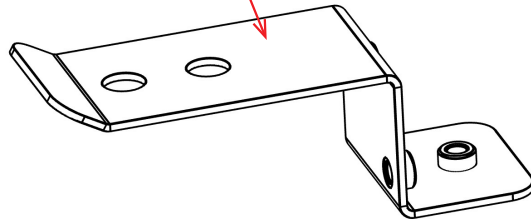


108



109

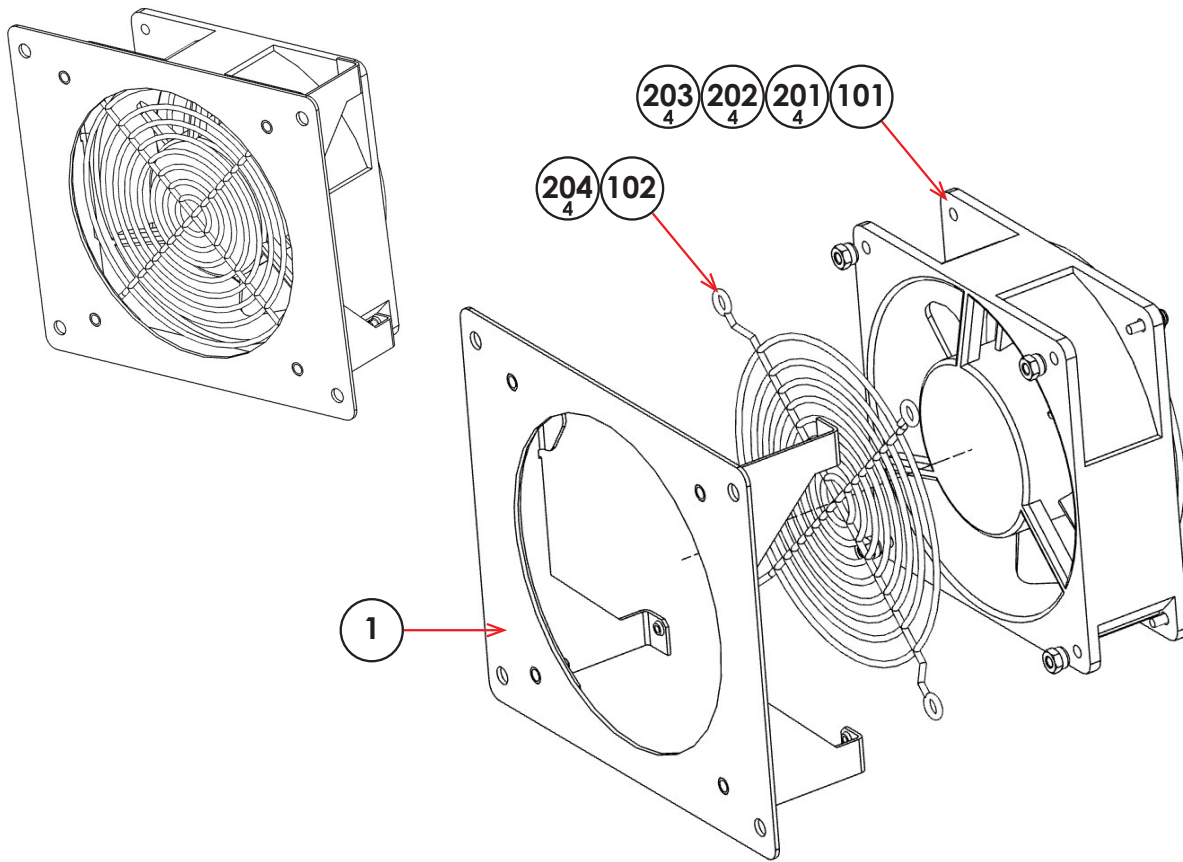
204 203 202 15  
2 2 2





ITEM NO	PART NO	DESCRIPTION	QTY
**1	GM-0550UK	ASSY BILLBOARD	1
**2	GM-3000UK	ASSY FLOOR L	1
**3	GM-3500UK	ASSY FLOOR R	1
**4	GM-3800UK	ASSY CCT	1
**7	GM-0051UK	CHANNEL LOCK CCT	1
**8	GM-0052UK	STRUT CCT SIDE	2
**9	GM-0053UK	PLATE BASE CASHBOX	1
**11	GM-0055UK	BRKT CHANNEL CLOSING END	2
**12	GM-0056UK	BAR STRUT TETHER	2
**13	GM-0506UK	BRKT STRUT SUPPORT	2
**14	GM-0508UK	PLATE MTG	2
**15	GM-3018UK	BRKT Z CONNECT	4
**101	LM1227	UK MAINS LEAD 10A WITH PLUG	1
**102	LM1246	EUROLEAD 10A EUROPEAN SOCKET	1
**103	LM1500UK	MAINS LEAD USA/IEC H80-1205-00	1
**107	PP1087	BOX CASH FOR MINI DOOR	1
**108	101-0002UK	BALL GOLF	78
**109	601-0019UK	CLUB PUTTER GOLF TETHERED	2
**201	029-B00840	M8X40 SKT BH PAS	8
**202	060-S00800	M8 WSHR SPR PAS	34
**203	068-852216	M8 WSHR 22OD FLT PAS	34
**204	029-B00825	M8X25 SKT BH PAS	20
**205	029-B00840-0B	M8X40 SKT BH BLK	6
**206	060-S00800-0B	M8 WSHR SPR BLK	10
**207	068-852216-0B	M8 WSHR 22OD FLT BLK	10
**208	029-B00816-0B	M8X16 SKT BH BLK	8
**209	029-B00860	M8X60 SKT BH PAS	2
**210	029-B00512-0B	M5X12 SKT BH BLK	8
**211	068-531610-0B	M5 WSHR 16OD FLT BLK	8
**212	029-B00516-0B	M5X16 SKT BH BLK	4
**213	060-S00500-0B	M5 WSHR SPR BLK	4
**214	029-B00816	M8X16 SKT BH PAS	4
**215	050-F00800	M8 NUT FLG SER PAS	4

**BTU PARTS** ASSY FAN (SND-1350UK)



ITEM NO	PART NO	DESCRIPTION	QTY
***1	SND-1341UK	BRKT FAN MTG	1
***101	260-0012-01UK	FAN DC 12V AXIAL	1
***102	FN1012	FAN GUARD METAL 120MM (FG-12)	2
***201	020-B00316-OB	M3X16 SKT BH BLK	4
***202	060-S00300-OB	M3 WSHR SPR BLK	4
***203	060-F00300-OB	M3 WSHR FORM A FLT BLK	4
***204	050-U00400	M4 NUT NYLOK PAS	4
***301	DB-60030UK	WH LED WHT	1