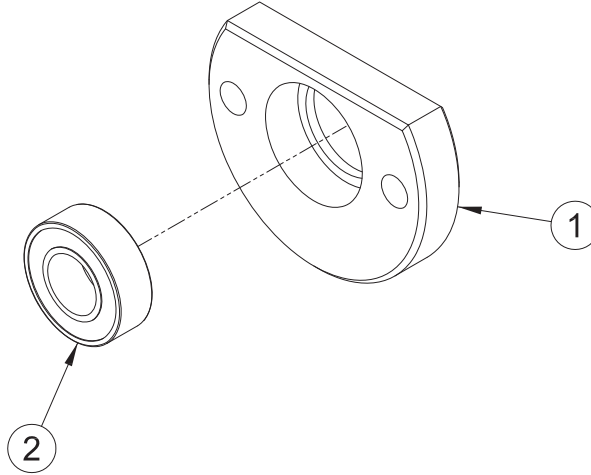


12.ASSEMBLING POWER ROLL

12-1.BALL BARRIER HOUSING Ass'y

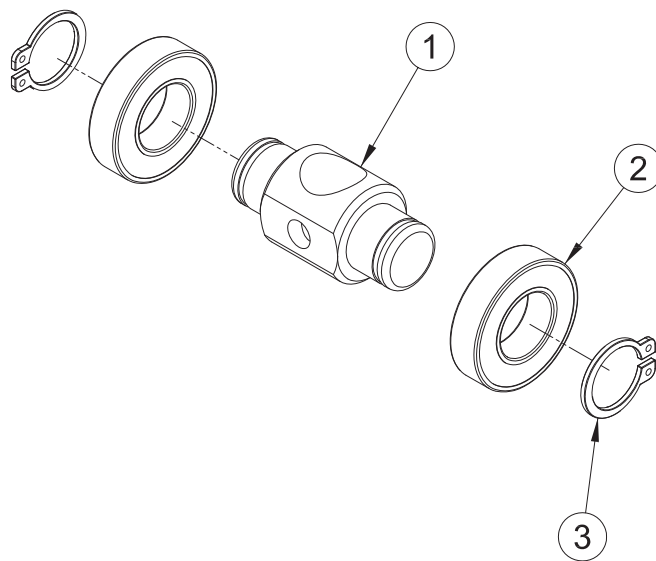
ACBD0ASM001



NO.	PART NO.	QUANTITY	PART NAME	SPEC.
1	MCBD0PRO001	1	BALL BARRIER HOUSING	AL
2	MZZZ0BEA005	1	BEARING (MR126ZZ)	MR126ZZ

12-2.PUSHER BALL HIT GUIDE SHAFT Ass'y

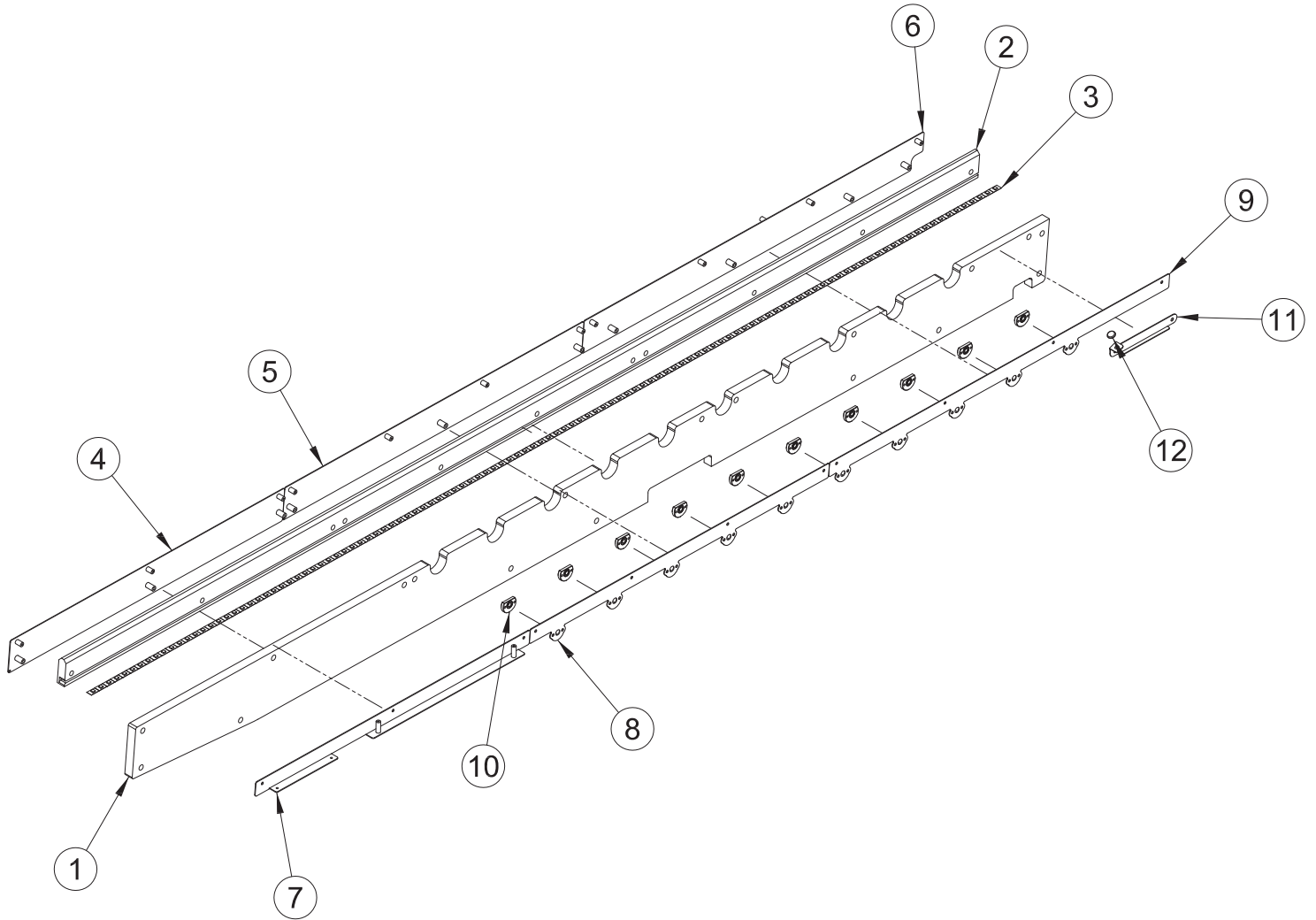
ACBD0ASM002



NO.	PART NO.	QUANTITY	PART NAME	SPEC.
1	MCBD0PRO004	1	PUSHER BALL HIT GUIDE SHAFT	SM45C
2	MZZZ0BEA067	2	BEARING 6901ZZ	BEARING 6901ZZ
3	-	2	Snapring S12	-

12-3.BALL RAIL ACRYL-L Ass'y

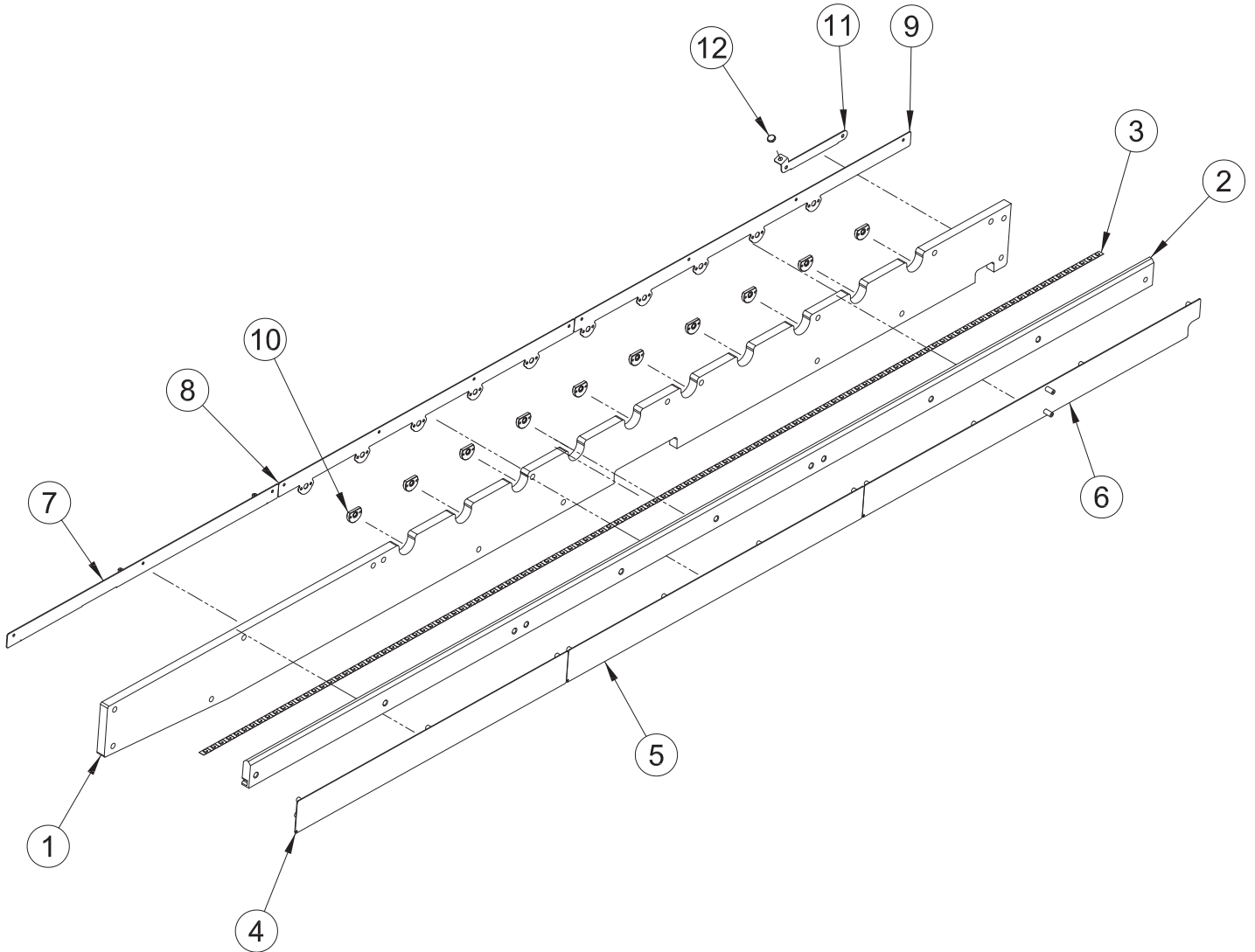
ACBD0ASM003



NO.	PART NO.	QUANTITY	PART NAME	SPEC.
1	MCBD0WOO005	1	BALL RAIL SIDE PANEL	PW-15.0t
2	MCBD0ACR014	1	BALL RAIL ACRYL-L	WHITE LIGHT ACRYL-15.0t (백색스리)
3	MCBD0FLM001	1	BALL RAIL FLEXIBLE LED	1914-1/1-16.5L-116LED-S
4	MCBD0MET007	1	BALL RAIL ACRYL FIXED BKT-L1	SPCC-1.2t
5	MCBD0MET008	1	BALL RAIL ACRYL FIXED BKT-L2	SPCC-1.2t
6	MCBD0MET009	1	BALL RAIL ACRYL FIXED BKT-L3	SPCC-1.2t
7	MCBD0MET013	1	BALL RAIL ACRYL COVER BKT-L1	SPCC-1.2t
8	MCBD0MET014	1	BALL RAIL ACRYL COVER BKT-LR2	SPCC-1.2t
9	MCBD0MET015	1	BALL RAIL ACRYL COVER BKT-LR3	SPCC-1.2t
10	ACBD0ASM001	10	BALL BARRIER HOUSING Ass'y	12-1 (22 page)
11	MCBD0MET029	1	BALL RAIL END STOPPER BKT-L	SPCC-1.2t
12	MZZZ0RUB003	1	Φ6 SHOCK ABSORBER	6Φ

12-4.BALL RAIL ACRYL-R Ass'y

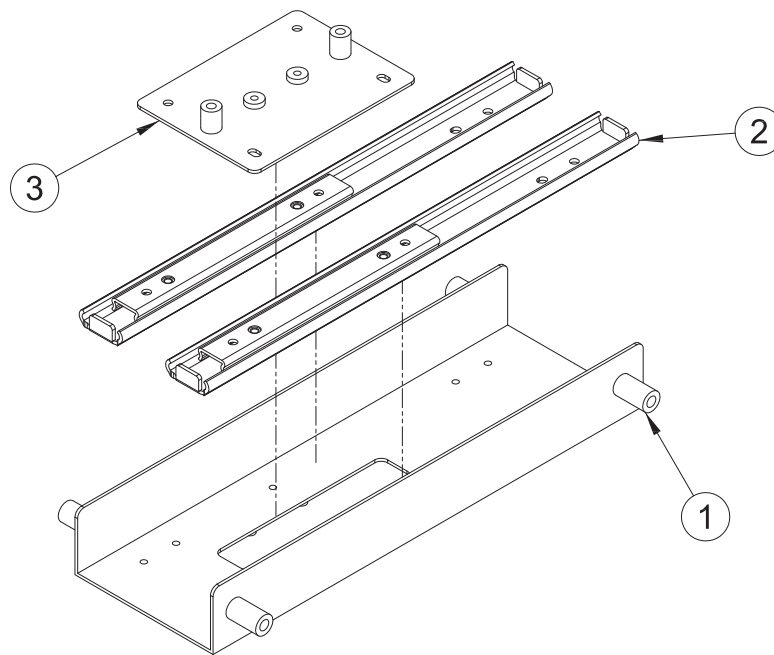
ACBD0ASM004



NO.	PART NO.	QUANTITY	PART NAME	SPEC.
1	MCBD0WOO005	1	BALL RAIL SIDE PANEL	PW-15.0t
2	MCBD0ACR013	1	BALL RAIL ACRYL-R	WHITE LIGHT ACRYL-15.0t (백색스리)
3	MCBD0FLM001	1	BALL RAIL FLEXIBLE LED	1914-1/1-16.5L-116LED-S
4	MCBD0MET010	1	BALL RAIL ACRYL FIXED BKT-R1	SPCC-1.2t
5	MCBD0MET011	1	BALL RAIL ACRYL FIXED BKT-R2	SPCC-1.2t
6	MCBD0MET012	1	BALL RAIL ACRYL FIXED BKT-R3	SPCC-1.2t
7	MCBD0MET016	1	BALL RAIL ACRYL COVER BKT-R1	SPCC-1.2t
8	MCBD0MET014	1	BALL RAIL ACRYL COVER BKT-LR2	SPCC-1.2t
9	MCBD0MET015	1	BALL RAIL ACRYL COVER BKT-LR3	SPCC-1.2t
10	ACBD0ASM001	10	BALL BARRIER HOUSING Ass'y	12-1 (22 page)
11	MCBD0MET030	1	BALL RAIL END STOPPER BKT-R	SPCC-1.2t
12	MZZZ0RUB003	1	Φ6 SHOCK ABSORBER	6Φ

12-5.BALL RAIL GUIDE BOTTOM Ass'y

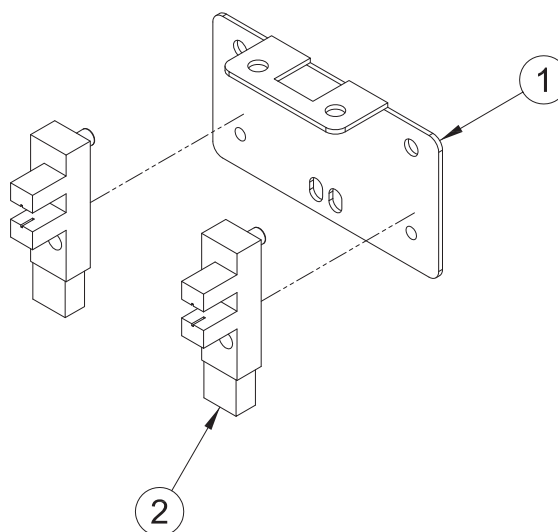
ACBD0ASM005



NO.	PART NO.	QUANTITY	PART NAME	SPEC.
1	MCBD0MET020	1	BALL RAIL GUIDE BOTTOM BKT	SPCC-1.2t
2	MZZZ0000422	2	LINEAR MOTION SLIDE (2011-200)	2011-200
3	MCBD0MET032	1	BALL RAIL GUIDE SLIDE BKT	GI-1.6t

12-6.BALL RAIL SLIDE SENSOR Ass'y

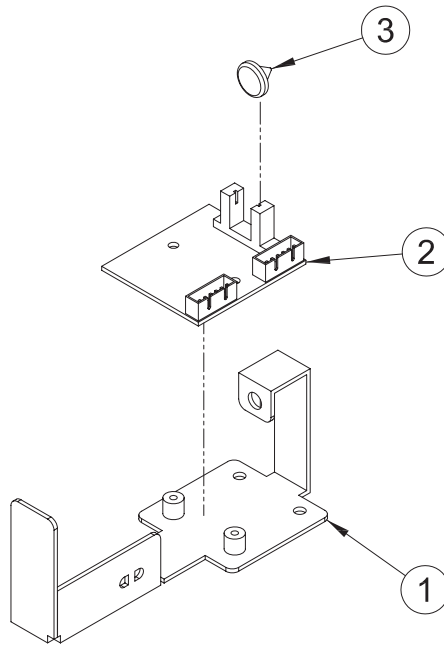
ACBD0ASM006



NO.	PART NO.	QUANTITY	PART NAME	SPEC.
1	MCBD0MET033	1	BALL RAIL SLIDE SENSOR BKT	GI-1.2t
2	MELE0PHO007	2	LG217 SENSOR	LG-217L3

12-7.FIRST BALL BARRIER SENSOR Ass'y

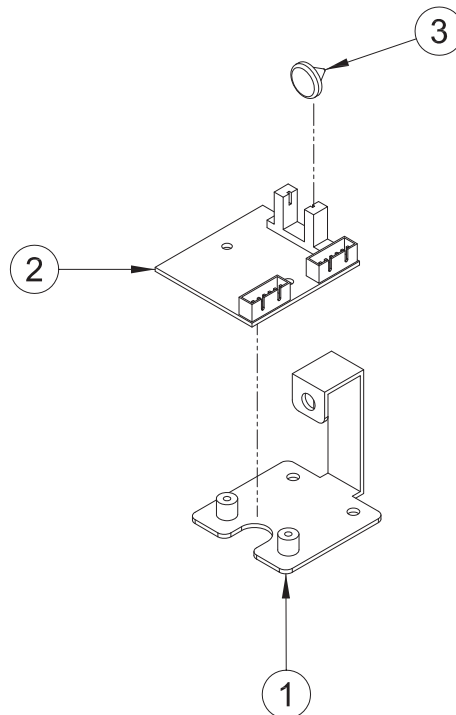
ACBD0ASM007



NO.	PART NO.	QUANTITY	PART NAME	SPEC.
1	MCBD0MET021	1	FIRST SENSOR FIXED BKT	SPCC-1.6t
2	ACBD0BOA005	1	PHOTO SENSOR 1S	KMSEN-1807-173A
3	MZZZ0RUB003	1	Φ6 SHOCK ABSORBER	6Φ

12-8.BALL BARRIER SENSOR Ass'y

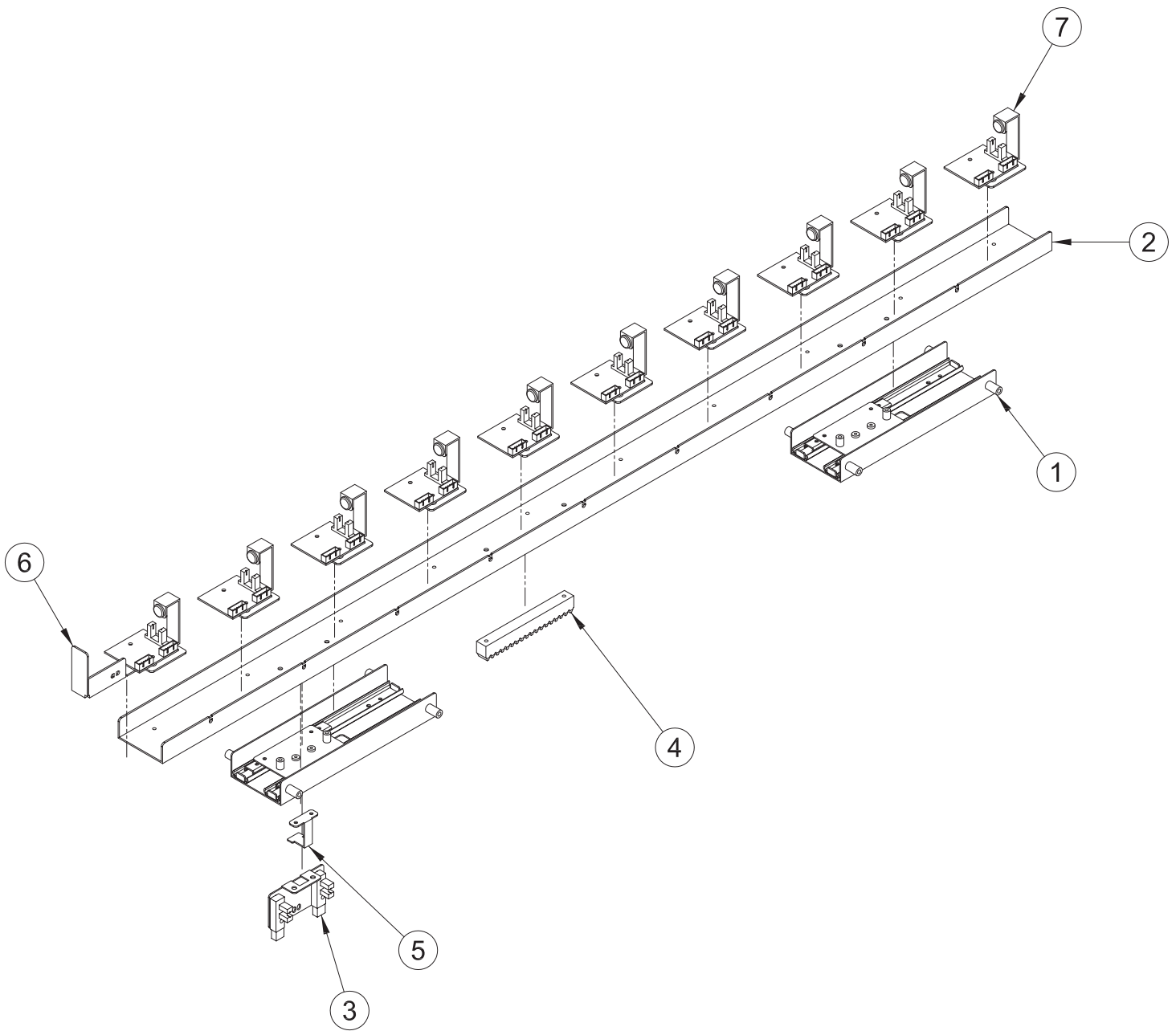
ACBD0ASM008



NO.	PART NO.	QUANTITY	PART NAME	SPEC.
1	MCBD0MET022	1	SENSOR FIXED BKT	SPCC-1.6t
2	ACBD0BOA005	1	PHOTO SENSOR 1S	KMSEN-1807-173A
3	MZZZ0RUB003	1	Φ6 SHOCK ABSORBER	6Φ

12-9.BALL RAIL SLIDE Ass'y

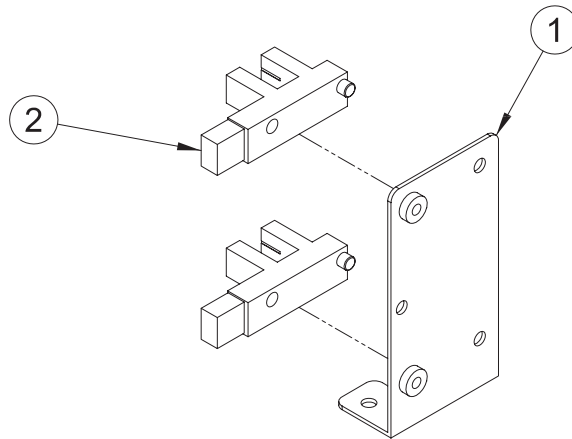
ACBD0ASM009



NO.	PART NO.	QUANTITY	PART NAME	SPEC.
1	ACBD0ASM005	2	BALL RAIL GUIDE BOTTOM Ass'y	12-5 (25 page)
2	MCBD0MET019	1	BALL RAIL GUIDE SLIDE BASE BKT	SPCC-1.6t
3	ACBD0ASM006	1	BALL RAIL SLIDE SENSOR Ass'y	12-6 (25 page)
4	MCBD0PRO015	1	BALL RAIL RACK GEAR	AL
5	MCBD0MET039	1	BALL RAIL SLIDE SENSOR CHECK BKT	SPCC-1.2t
6	ACBD0ASM007	1	FIRST BALL BARRIER SENSOR Ass'y	12-7 (26 page)
7	ACBD0ASM008	9	BALL BARRIER SENSOR Ass'y	12-8 (26 page)

12-10.BALL STOPPER SENSOR Ass'y

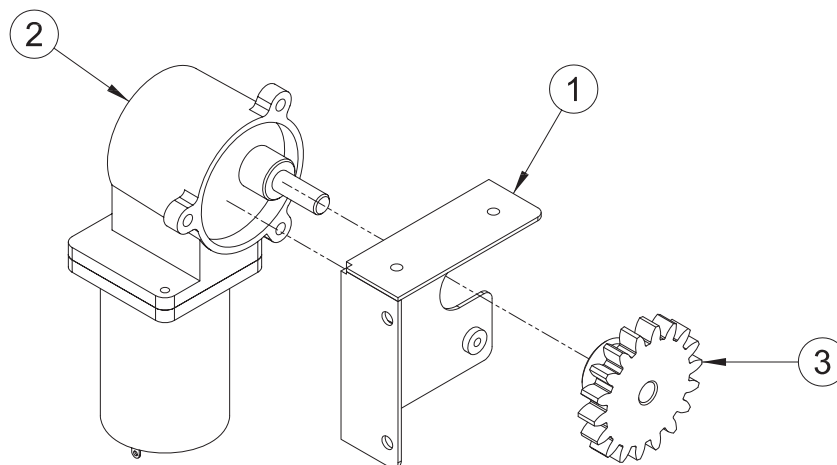
ACBD0ASM010



NO.	PART NO.	QUANTITY	PART NAME	SPEC.
1	MCBD0MET035	1	BALL STOPPER SENSOR FIXED BKT	GI-1.2t
2	MLIM0PHO001	2	SINKO SENSOR	SINKO:KI669

12-11.BALL STOPPER MOTOR Ass'y

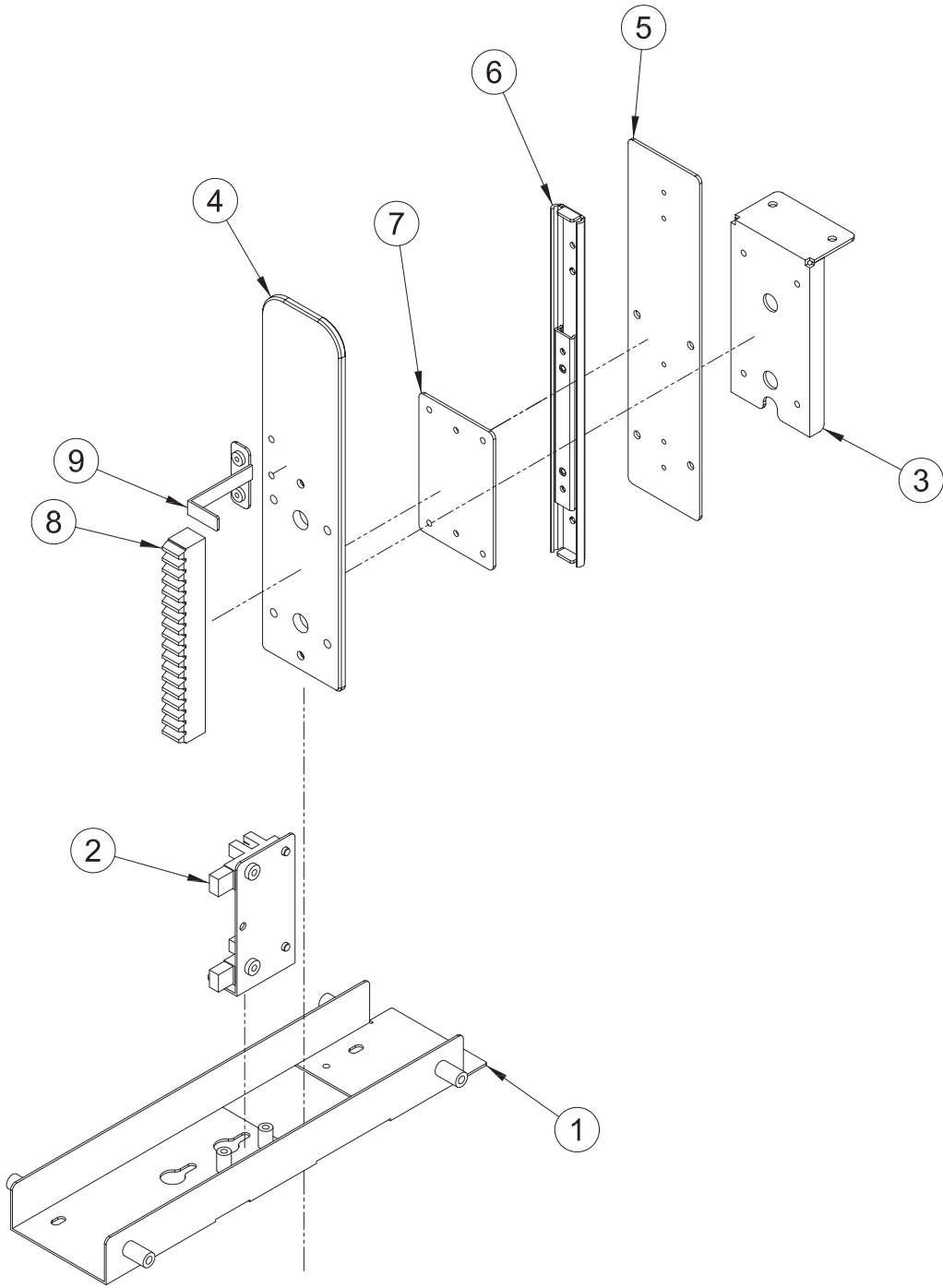
ACBD0ASM011



NO.	PART NO.	QUANTITY	PART NAME	SPEC.
1	MCBD0MET036	1	BALL STOPPER MOTOR BKT	SPCC-1.2t
2	MZZZ0MOT057	1	KWC SERIES MOTOR (75)	KWC-3448S1 (1/75. 60rpm)
3	MCBD0PRO017	1	BALL STOPPER MOTOR GEAR	AL

12-11.BALL STOPPER Ass'y

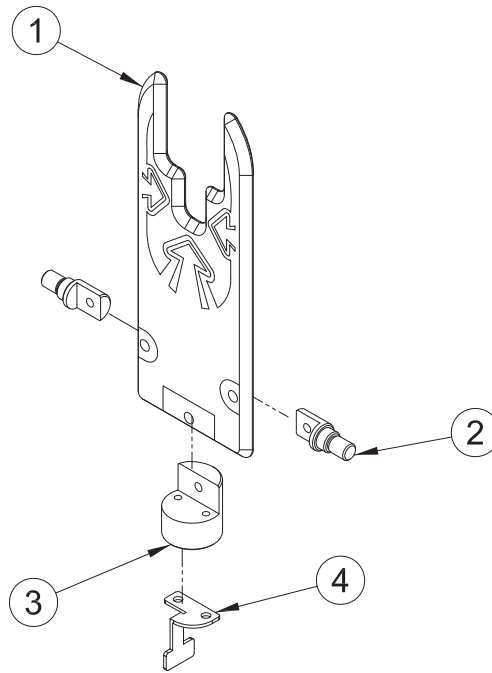
ACBD0ASM012



NO.	PART NO.	QUANTITY	PART NAME	SPEC.
1	MCBD0MET023	1	BALL RAIL GUIDE FRONT BKT	SPCC-1.2t
2	ACBD0ASM010	1	BALL STOPPER SENSOR Ass'y	12-10 (28 page)
3	MCBD0MET024	1	BALL STOPPER BASE BKT	SPCC-1.6t
4	MCBD0ACR003	1	BALL STOPPER ACRYL	CLEAR PC-4.5t (투명PC아크릴)
5	MCBD0MET025	1	BALL STOPPER LINEAR MOTION SLIDE BKT	SPCC-1.6t
6	MZZZ0000422	1	LINEAR MOTION SLIDE (2011-200)	2011-200
7	MCBD0MET034	1	BALL STOPPER ACRYL FIXED BKT	GI-1.6t
8	MCBD0PRO015	1	BALL RAIL RACK GEAR	AL
9	MCBD0MET040	1	BALL STOPPER SENSOR CHECK BKT	SPCC-1.2t

12-13.BALL BARRIER ACRYL-A Ass'y (NEW)

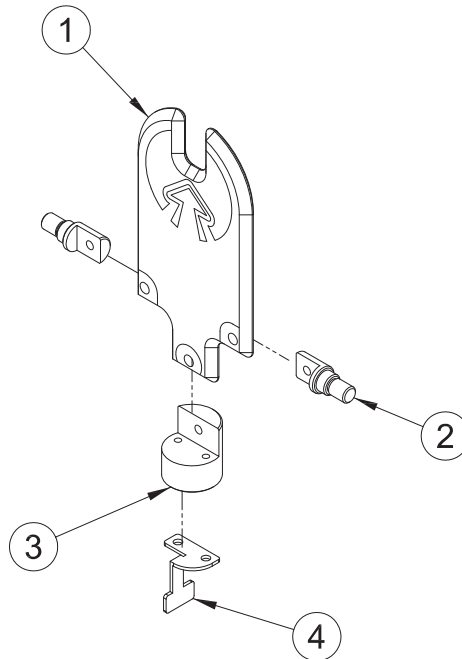
ACBD0ASM069



NO.	PART NO.	QUANTITY	PART NAME	SPEC.
1	MCBD0A&S005	1	BALL BARRIER ACRYL-A	CLEAR PC-4.5t (투명PC아크릴)
2	MCBD0PRO002	2	BALL BARRIER SHAFT	AL
3	MCBD0PRO012	1	BALL BARRIER ACRYL BALANCE BLOCK-B	SM45C
4	MCBD0MET038	1	BALL BARRIER SENSOR CHECK BKT	SPCC-1.2t

12-14.BALL BARRIER ACRYL-B Ass'y

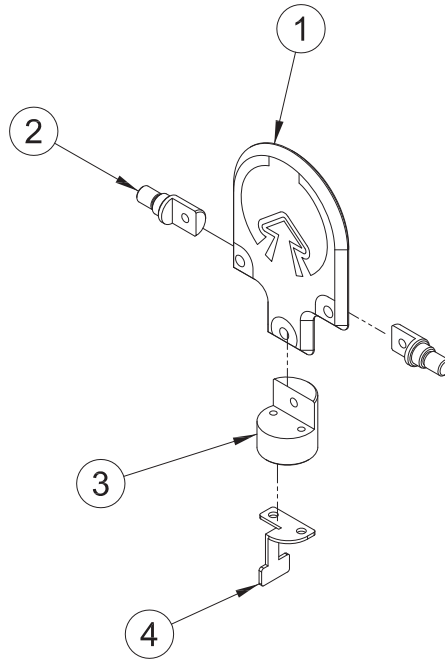
ACBD0ASM014



NO.	PART NO.	QUANTITY	PART NAME	SPEC.
1	MCBD0A&S006	1	BALL BARRIER ACRYL-B	CLEAR PC-4.5t (투명PC아크릴)
2	MCBD0PRO002	2	BALL BARRIER SHAFT	AL
3	MCBD0PRO012	1	BALL BARRIER ACRYL BALANCE BLOCK-B	SM45C
4	MCBD0MET038	1	BALL BARRIER SENSOR CHECK BKT	SPCC-1.2t

12-15.BALL BARRIER ACRYL-C Ass'y

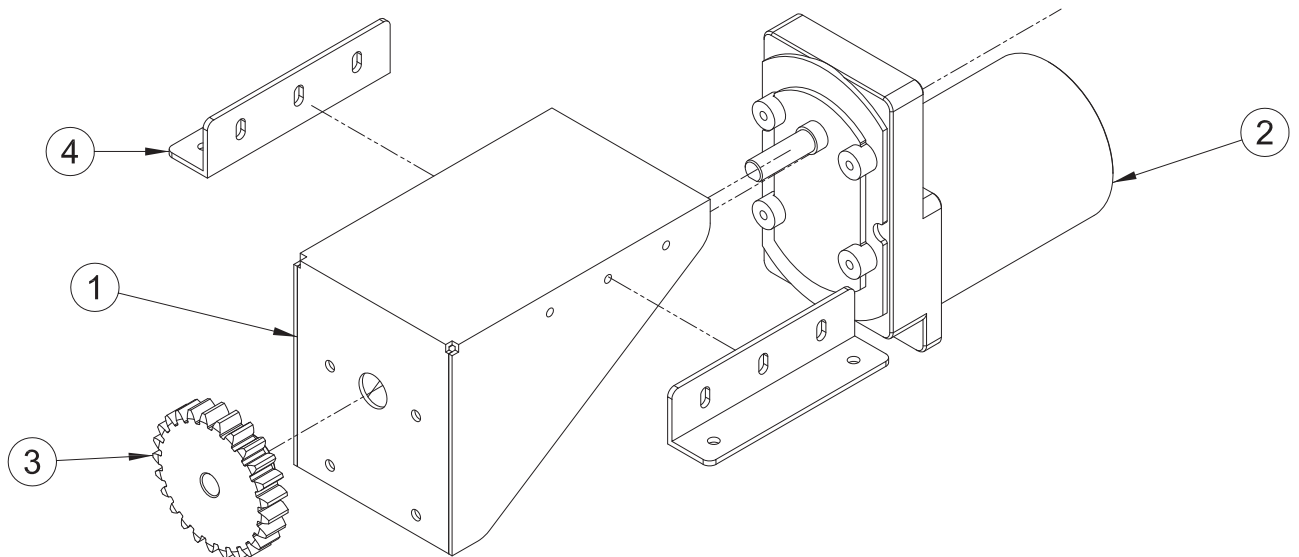
ACBD0ASM015



NO.	PART NO.	QUANTITY	PART NAME	SPEC.
1	MCBD0A&S007	1	BALL BARRIER ACRYL-C	CLEAR PC-4.5t (투명PC아크릴)
2	MCBD0PRO002	2	BALL BARRIER SHAFT	AL
3	MCBD0PRO012	1	BALL BARRIER ACRYL BALANCE BLOCK-B	SM45C
4	MCBD0MET038	1	BALL BARRIER SENSOR CHECK BKT	SPCC-1.2t

12-16.BALL RAIL MOTOR Ass'y

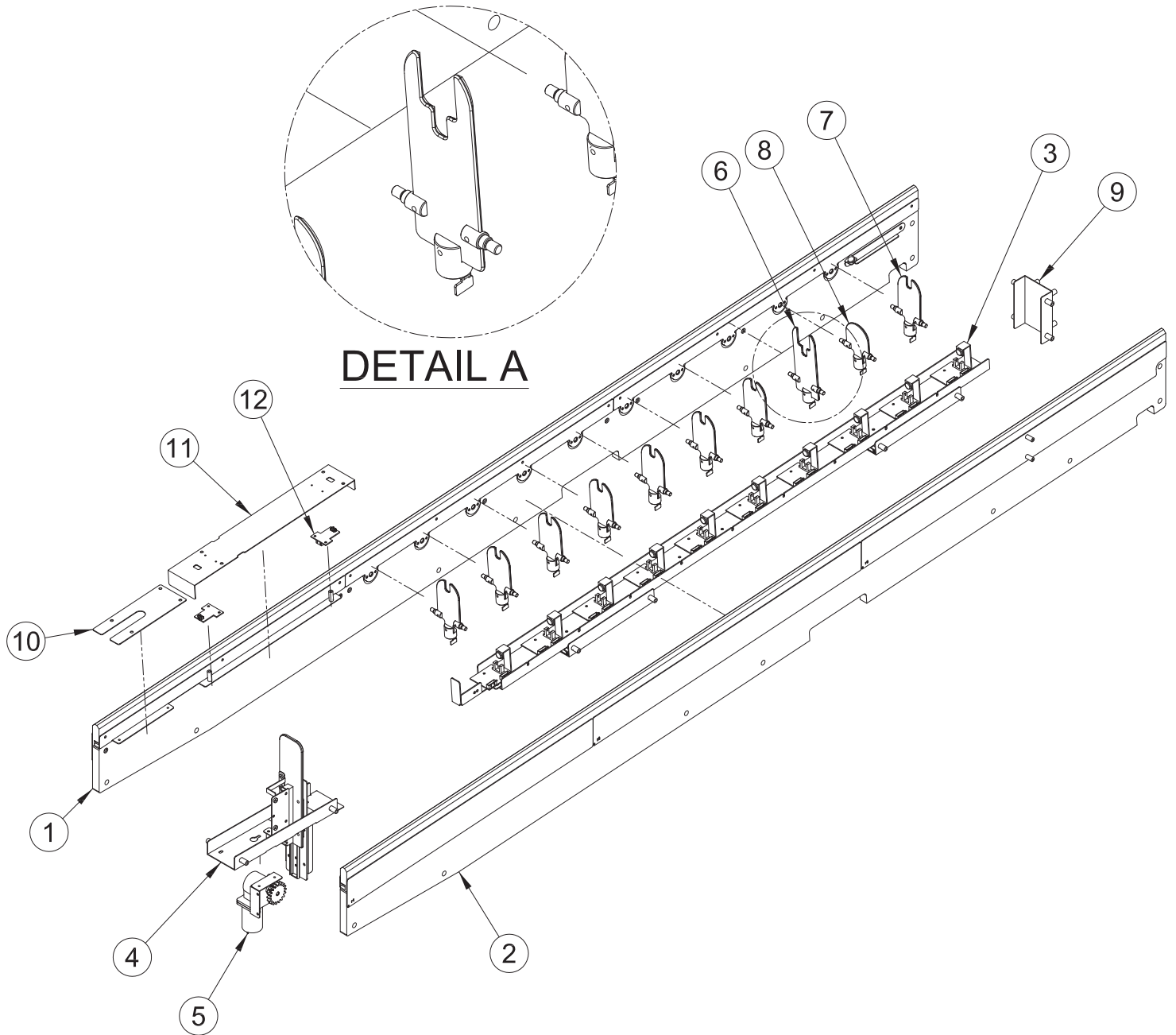
ACBD0ASM016



NO.	PART NO.	QUANTITY	PART NAME	SPEC.
1	MCBD0MET037	1	BALL RAIL MOTOR BKT	SPCC-1.6t
2	MTIM0MOT003	1	KGY SERIES MOTOR (145)	K6DG15N1 (1/145, 20.7RPM)
3	MCBD0PRO016	1	BALL RAIL MOTOR GEAR	AL
4	MCBD0MET141	2	BALL RAIL MOTOR SUPPORT BKT	SPCC-2.0t

12-17.BALL RAIL Ass'y (NEW)

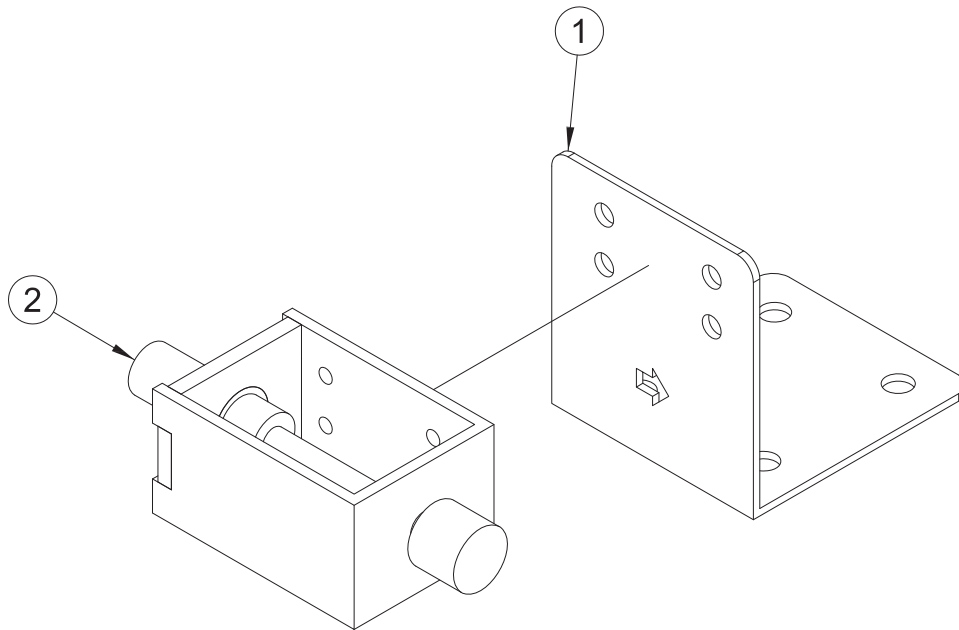
ACBD0ASM071



NO.	PART NO.	QUANTITY	PART NAME	SPEC.
1	ACBD0ASM003	1	BALL RAIL ACRYL-L Ass'y	12-3 (23 page)
2	ACBD0ASM004	1	BALL RAIL ACRYL-R Ass'y	12-4 (24 page)
3	ACBD0ASM009	1	BALL RAIL SLIDE Ass'y	12-9 (27 page)
4	ACBD0ASM012	1	BALL STOPPER Ass'y	12-12 (29 page)
5	ACBD0ASM011	1	BALL STOPPER MOTOR Ass'y	12-11 (28 page)
6	ACBD0ASM069	1	BALL BARRIER ACRYL-A Ass'y (NEW)	12-13 (30 page)
7	ACBD0ASM014	8	BALL BARRIER ACRYL-B Ass'y	12-14 (30 page)
8	ACBD0ASM015	1	BALL BARRIER ACRYL-C Ass'y	12-15 (31 page)
9	MCBD0MET026	1	BALL RAIL GUIDE BACK BKT	SPCC-1.2t
10	MCBD0MET027	1	BALL STOPPER COVER BKT-A	SPCC-1.2t
11	MCBD0MET028	1	BALL STOPPER COVER BKT-B	SPPCC-1.2t
12	ATWB0BOA002	2	BALL HOLE SENSOR BOARD Ass'y	KMSEN-1703-129A

12-18.SOLENOID Ass'y

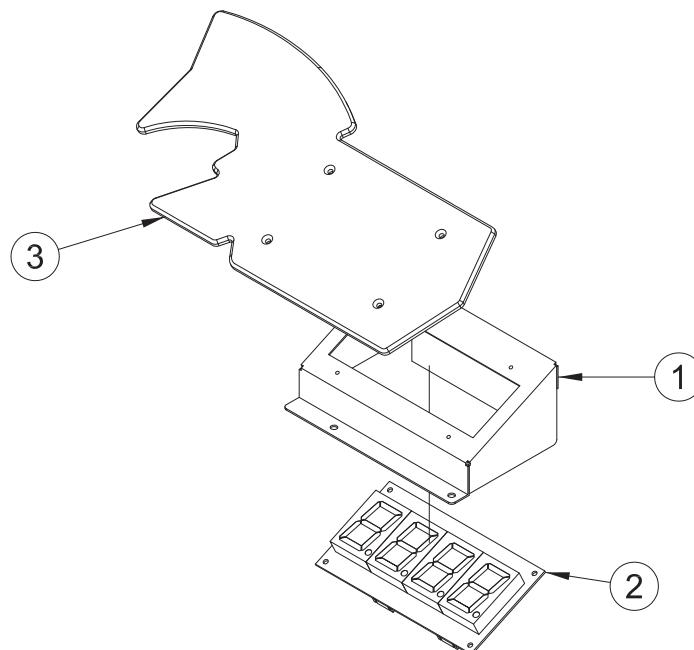
ACBD0ASM018



NO.	Code Number	QUANTITY	PART NAME	SPEC.
1	MCBD0MET031	1	SOLENOID FIXED BKT	SUS304-1.2t
2	MZZZ0SOL006	1	SOLENOID (SD-08A)new	SD-08A(12V)

12-19.SCORE FND BIGWIIN BOX Ass'y (NEW FND4)

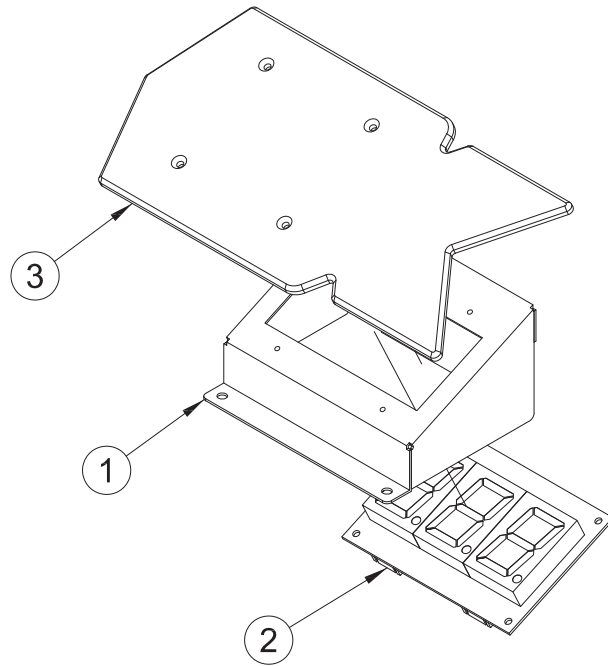
ACBD0ASM094



NO.	Code Number	QUANTITY	PART NAME	SPEC.
1	MCBD0MET149	1	BIGWIN SCORE FND BOX BKT	SPCC-1.2t
2	ACBD0BOA011	1	SCORE FND4 BOARD	KMFND-1908-199B
3	MCBD0A&S020	1	BIGWIN SCORE FND COVER ACRYL	CLEAR ACRYL-4.5(투명 압출판 아크릴)

12-20.SCORE FND BOX Ass'y-R (NEW)

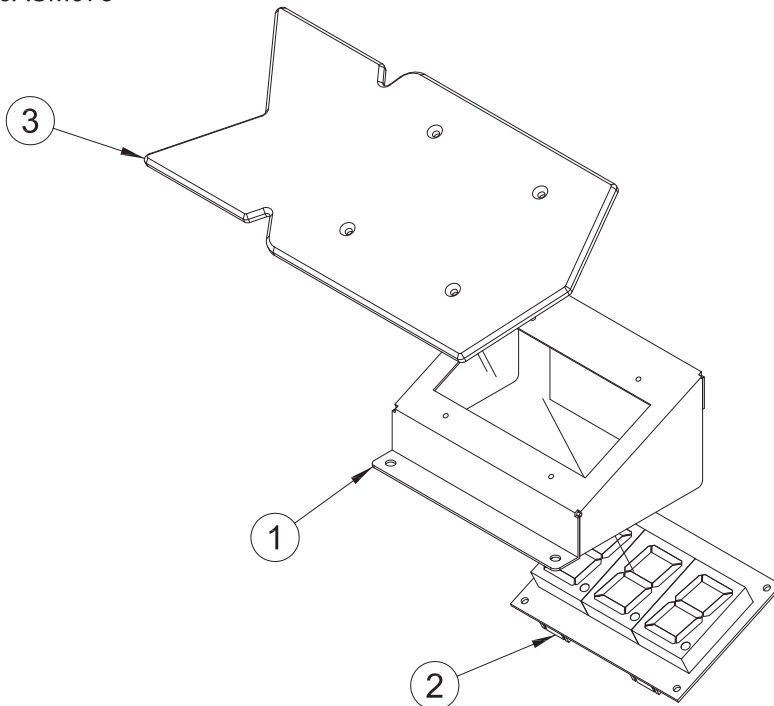
ACBD0ASM074



NO.	PART NO.	QUANTITY	PART NAME	SPEC.
1	MCBD0MET082	1	SCORE FND BOX BKT	SPCC-1.2t
2	ACBD0BOA002	1	SCORE FND3 BOARD	KMFND-1807-174A
3	MCBD0A&S012	1	SCORE FND COVER ACRYL (NEW)-R	CLEAR ACRYL-4.5t(투명 압출판 아크릴)

12-21.SCORE FND BOX Ass'y-L (NEW)

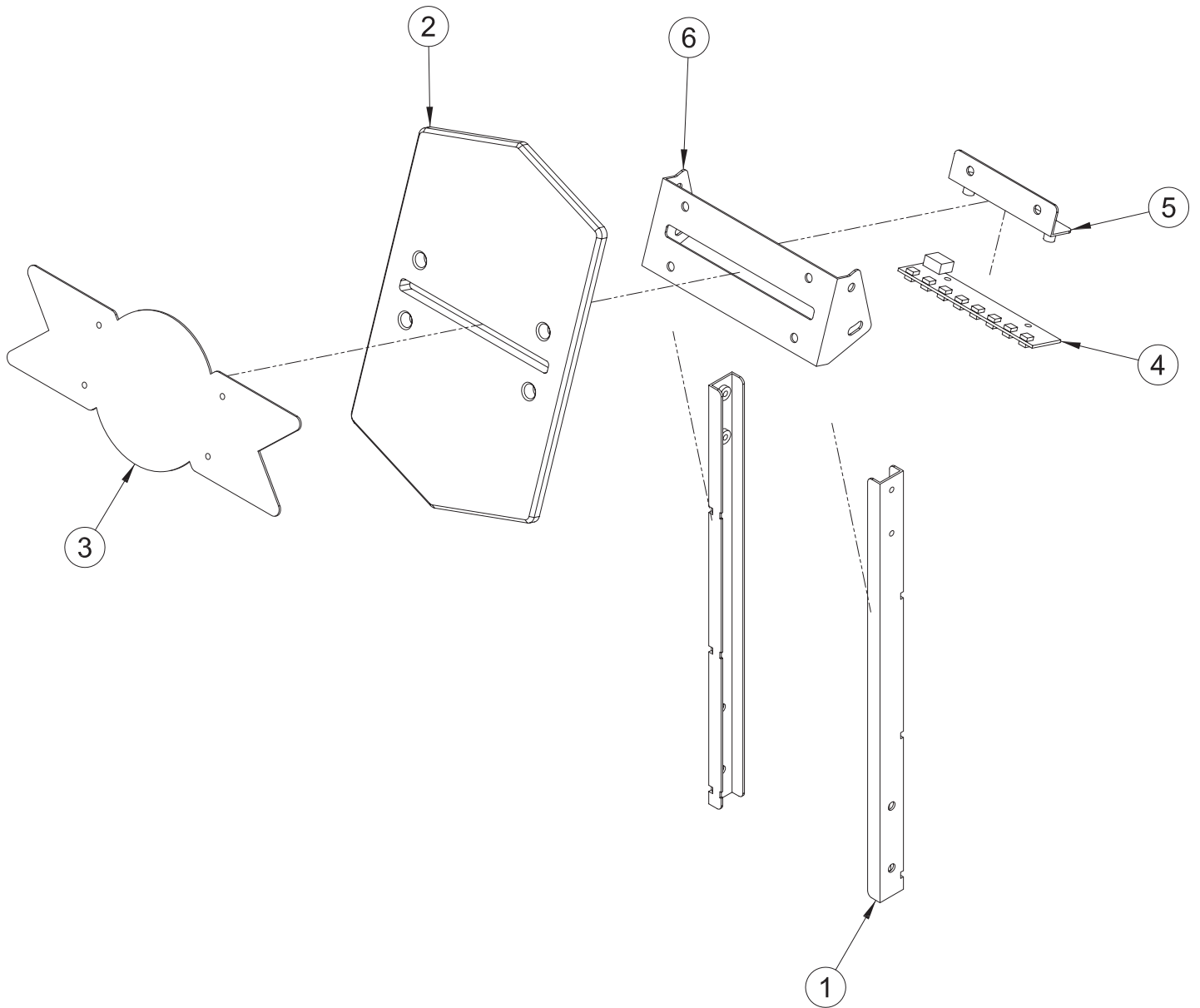
ACBD0ASM075



NO.	PART NO.	QUANTITY	PART NAME	SPEC.
1	MCBD0MET082	1	SCORE FND BOX BKT	SPCC-1.2t
2	ACBD0BOA002	1	SCORE FND3 BOARD	KMFND-1807-174A
3	MCBD0A&S013	1	SCORE FND COVER ACRYL (NEW)-L	CLEAR ACRYL-4.5t(투명 압출판 아크릴)

12-22.BIG WIN ZONE DECO Ass'y (NEW)

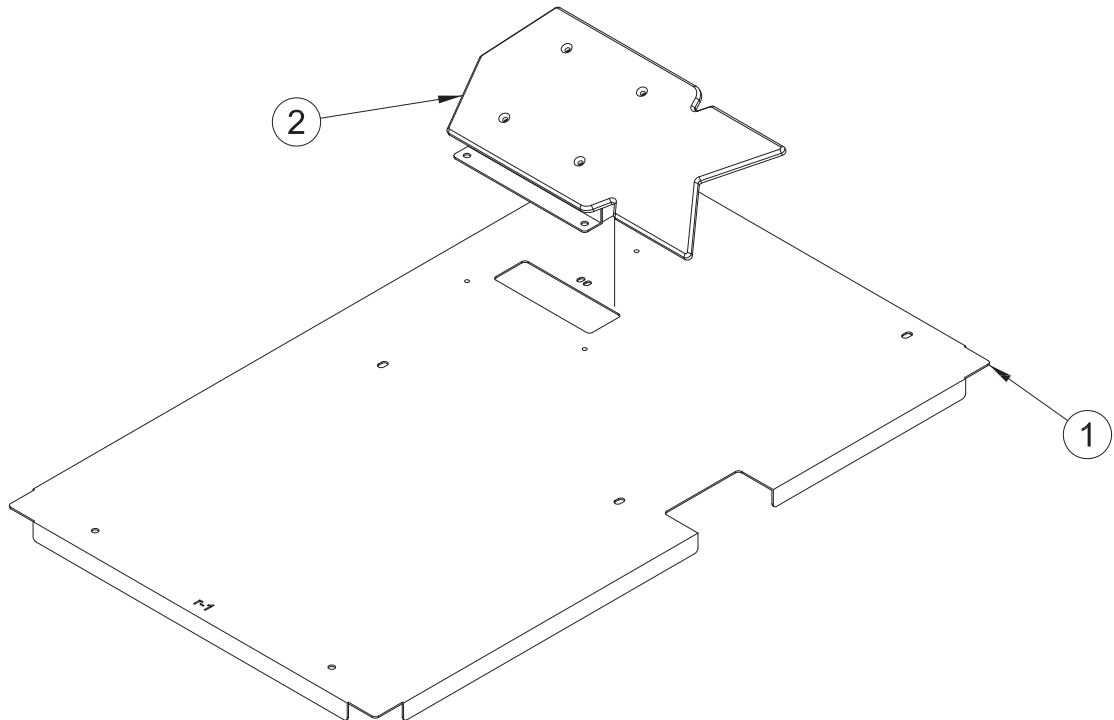
ACBD0ASM076



NO.	PART NO.	QUANTITY	PART NAME	SPEC.
1	MCBD0MET090	2	BIG WIN DECO SUPPORT BKT	SPCC-1.2t
2	MCBD0A&S008	1	BIG WIN DECO ACRYL	CLEAR ACRYL-8.0t(투명 압출판 아크릴)
3	MCBD0MET132	1	BIG WIN DECO COVER BKT (NEW)	SPCC-1.2t
4	AWOC0BOA007	1	DROP BACK LIGHT LED BOARD	KMFND-1502-76B
5	MCBD0MET089	1	BIG WIN DECO LED BOARD FIXED BKT	SPCC-1.2t
6	MCBD0MET088	1	BIG WIN DECO ACRYL FIXED BKT	SPCC-1.2t

12-23.SCORE FND BASE BKT-R1 Ass'y

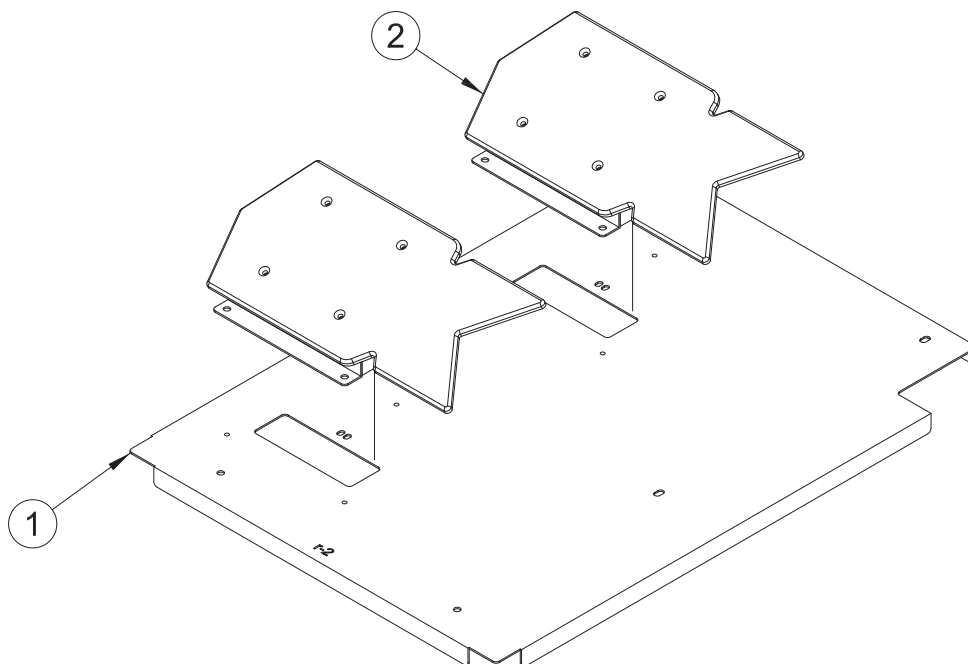
ACBD0ASM077



NO.	PART NO.	QUANTITY	PART NAME	SPEC.
1	MCBD0MET076	1	SCORE FND BASE BKT-R1	SPCC-1.2t
2	ACBD0ASM074	1	SCORE FND BOX Ass'y-R (NEW)	12-20 (34 page)

12-24.SCORE FND BASE BKT-R2 Ass'y (NEW)

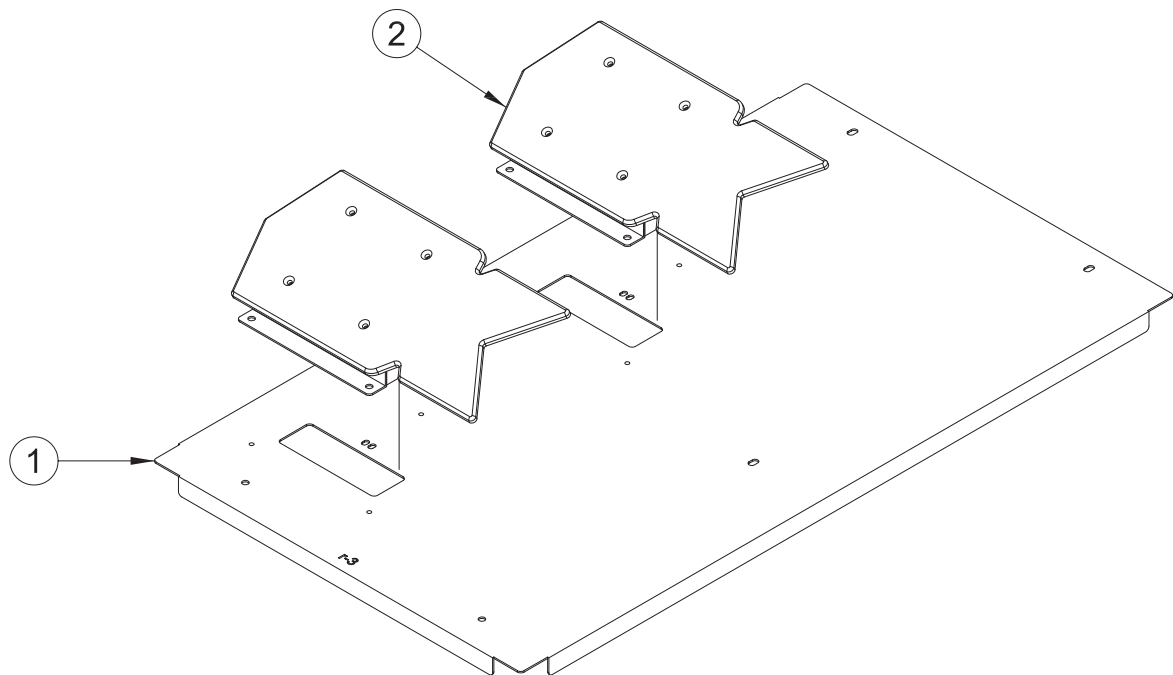
ACBD0ASM078



NO.	PART NO.	QUANTITY	PART NAME	SPEC.
1	MCBD0MET077	1	SCORE FND BASE BKT-R2	SPCC-1.2t
2	ACBD0ASM074	2	SCORE FND BOX Ass'y-R (NEW)	12-20 (34 page)

12-25.SCORE FND BASE BKT-R3 Ass'y (NEW)

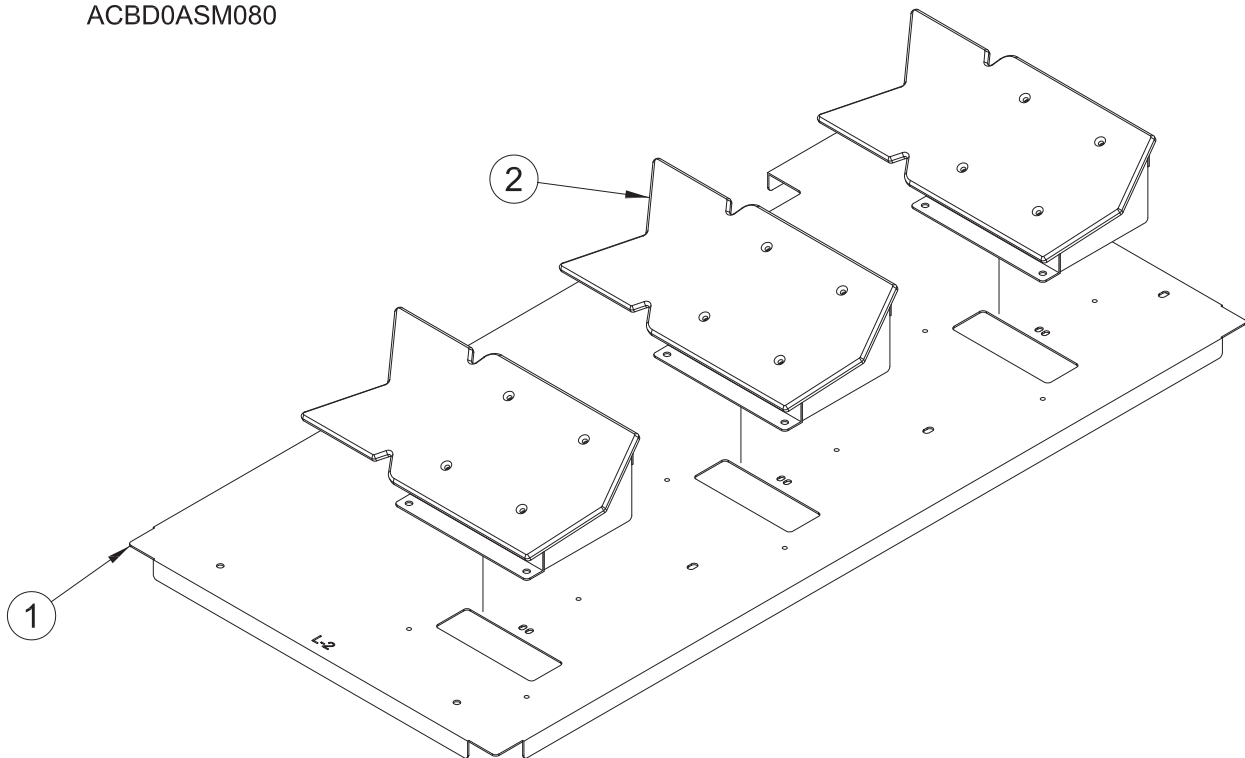
ACBD0ASM079



NO.	PART NO.	QUANTITY	PART NAME	SPEC.
1	MCBD0MET078	1	SCORE FND BASE BKT-R3	SPCC-1.2t
2	ACBD0ASM074	2	SCORE FND BOX Ass'y-R (NEW)	12-20 (34 page)

12-26.SCORE FND BASE BKT-L2 Ass'y (NEW)

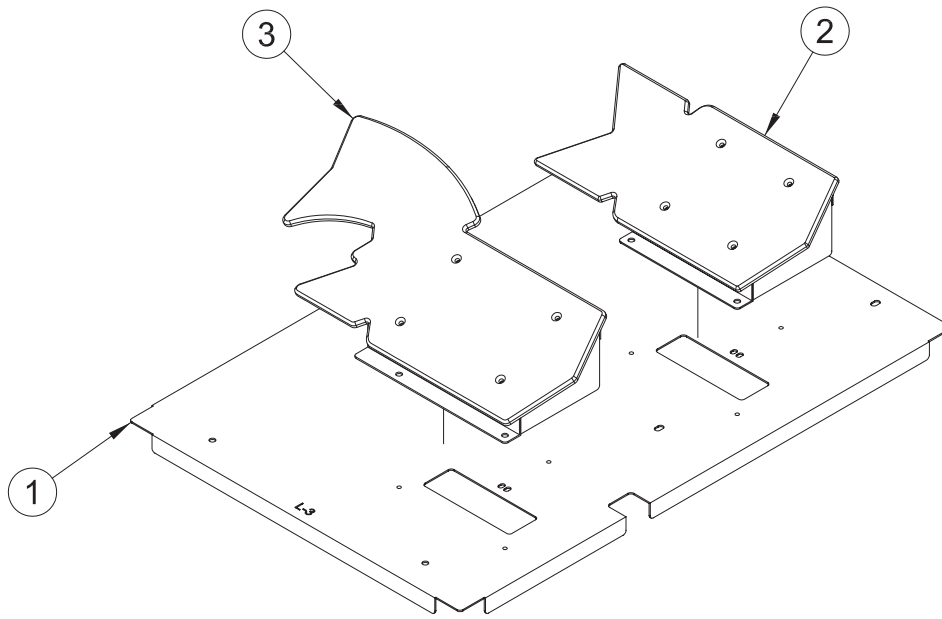
ACBD0ASM080



NO.	PART NO.	QUANTITY	PART NAME	SPEC.
1	MCBD0MET080	1	SCORE FND BASE BKT-L2	SPCC-1.2t
2	ACBD0ASM075	3	SCORE FND BOX Ass'y-L (NEW)	12-21 (34 page)

12-27.SCORE FND BASE BKT-L3 Ass'y (NEW)

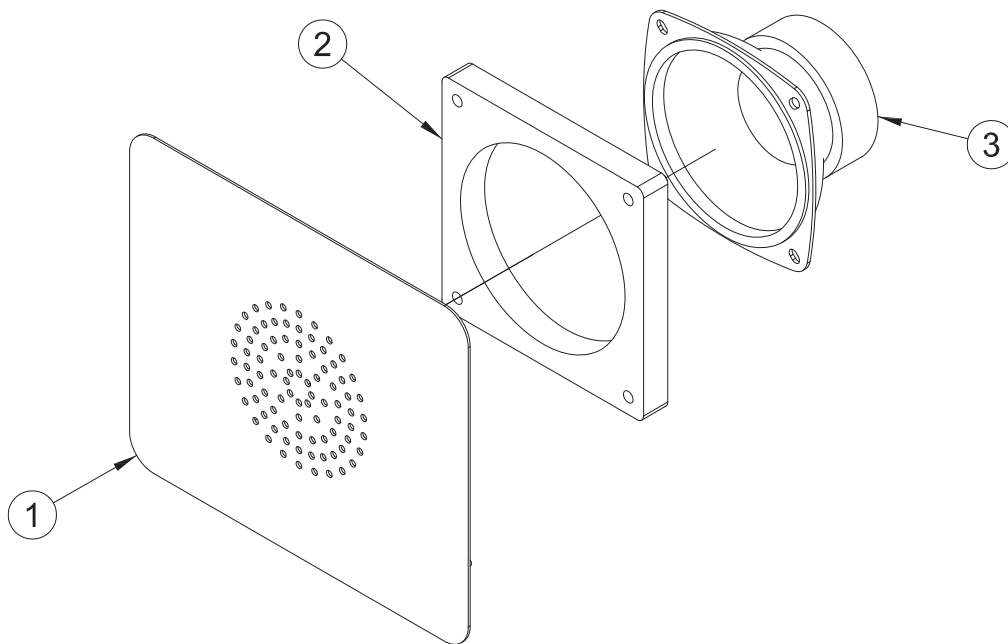
ACBD0ASM081



NO.	PART NO.	QUANTITY	PART NAME	SPEC.
1	MCBD0MET081	1	SCORE FND BASE BKT-L3	SPCC-1.2t
2	ACBD0ASM075	1	SCORE FND BOX Ass'y-L (NEW)	12-21 (34 page)
3	ACBD0ASM094	1	SCORE FND BIGWIIN BOX Ass'y (NEW FND4)	12-19 (33 page)

12-28.SPEAKER BOX Ass'y

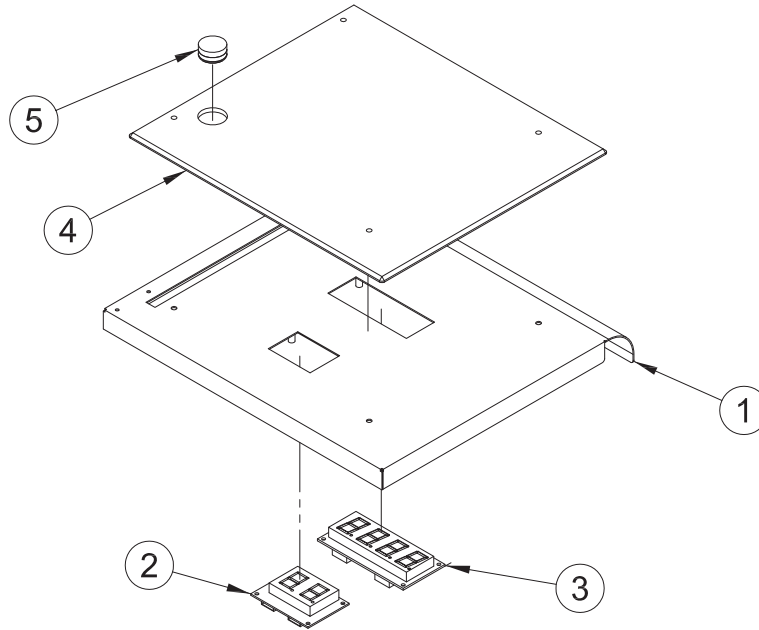
ACBD0ASM028



NO.	Code Number	QUANTITY	PART NAME	SPEC.
1	MCBD0MET124	1	SPEAKER BASE BKT	SPCC-1.2t
2	MCBD0WOO007	1	SPEAKER PANEL	PW-15.0t
3	MZZZ0SPE004	1	speaker[MID4.5]	MID 4.5 8Ω80W

12-29.CREDIT FND COVER Ass'y (NEW)

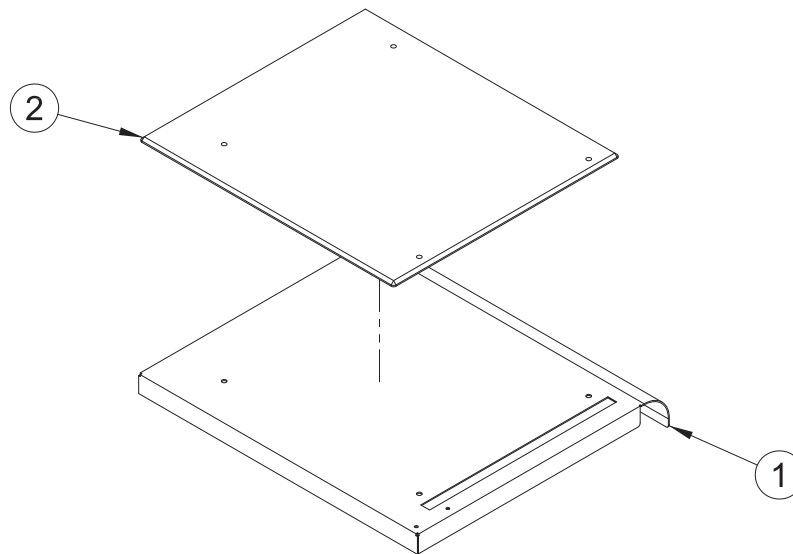
ACBD0ASM082



NO.	PART NO.	QUANTITY	PART NAME	SPEC.
1	MCBD0MET091	1	CREDIT FND COVER BKT	SPCC-1.2t
2	ACOU0PCB010	1	CREDIT FND	KMCF1017-2A
3	ATOD0BOA002	1	TICKET OWED FND4	KMFND-055A
4	MCBD0A&S019	1	CREDIT FND COVER ACRYL (NEW)	CLEAR ACRYL-4.5t(투명 압출판 아크릴)
5	MZZZ0000542	1	LEVEL METAL Ass'y	Φ25 X 10t (CIRCULAR TYPE)+ND 25X2

12-30.HOW TO PLAY COVER Ass'y

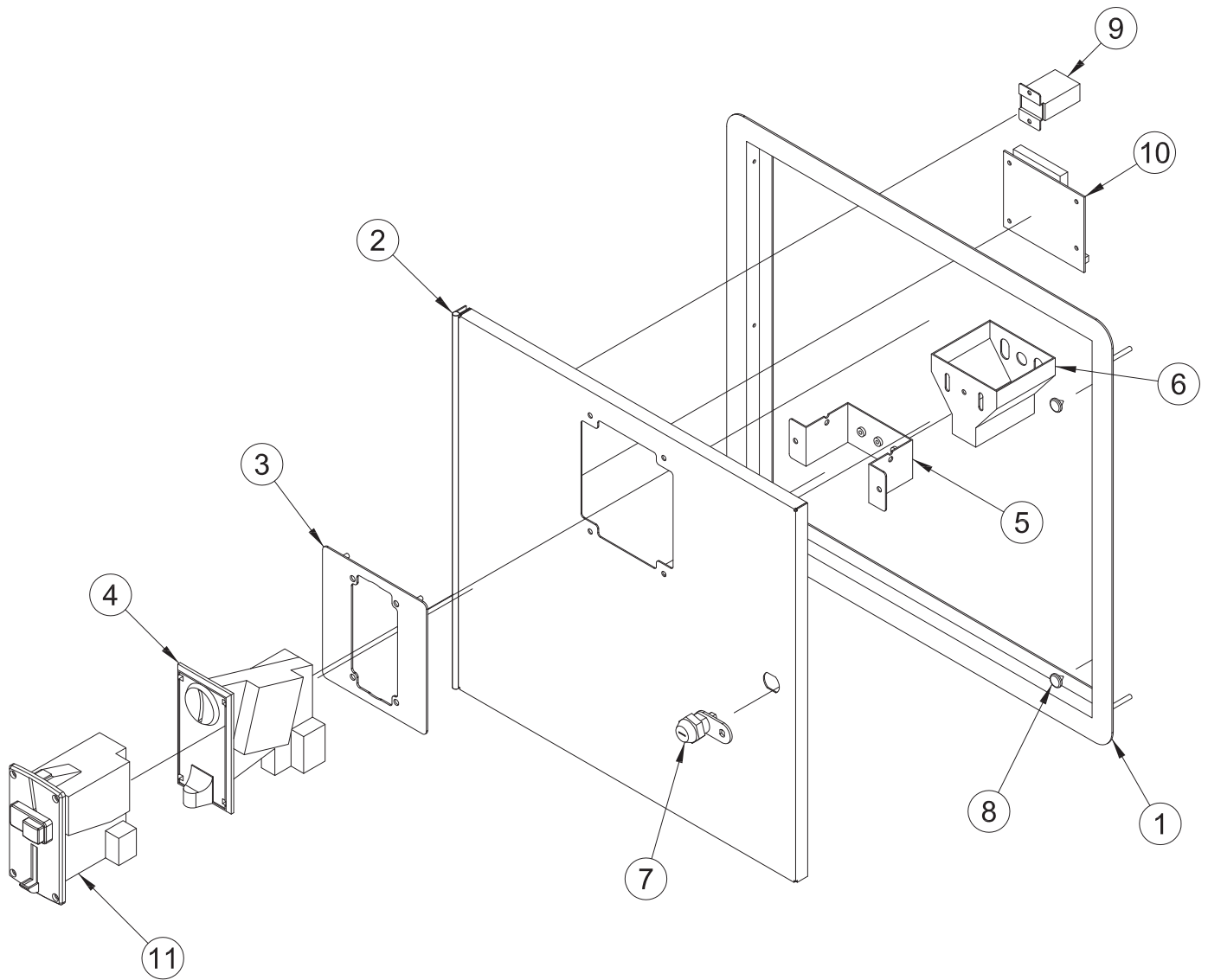
ACBD0ASM030



NO.	Code Number	QUANTITY	PART NAME	SPEC.
1	MCBD0MET092	1	HOW TO PLAY COVER BKT	SPCC-1.2t
2	MCBD0ACR006	1	HOW TO PLAY COVER ACRYL	CLEAR ACRYL-4.5t(투명 아크릴)

12-31.FRONT DOOR Ass'y

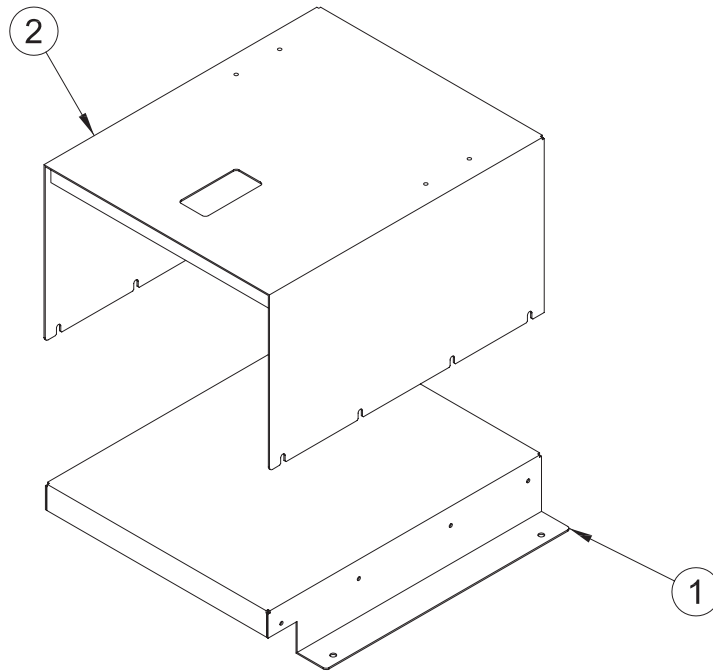
ACBD0ASM031



NO.	PART NO.	QUANTITY	PART NAME	SPEC.
1	MCBD0MET112	1	FRONT DOOR COVER BKT	SPCC-1.6t
2	MCBD0MET111	1	FRONT DOOR WELD Ass'y	WELD Ass'y (용접품)
3	MCBD0MET113	1	COIN SELECTOR FIXED BKT	SPCC-1.6t
4	MZZZ0COS025	1	COIN SELECTOR(TONGLI)	TW-130Q
5	MCBD0MET114	1	COIN GUIDE FIX BRKT	SPCC-1.2t
6	MCBD0MET115	1	COIN GUIDE BRKT	SPCC-1.2t
7	MZZZ0KEY032	1	Key Ass'y (7001)	7001
8	MZZZ0RUB003	2	Φ6 SHOCK ABSORBER	6Φ
9	MZZZ0000488	1	COUNTER UK (SR3)	(UK OPTION)
10	MZZZ0000489	1	EXCEL CREDIT(SR3) PCB	(UK OPTION)
11	MZZZ0000486	1	SR3-MONEY CTRL(UK)	(UK OPTION)

12-32.CASH BOX BODY Ass'y

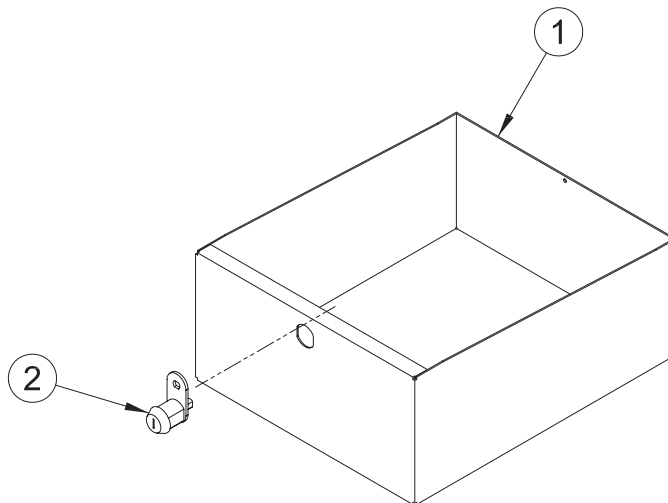
ACBD0ASM032



NO.	PART NO.	QUANTITY	PART NAME	SPEC.
1	MCBD0MET122	1	CASH BOX BODY BOTTOM	SPCC-1.2t
2	MCBD0MET121	1	CASH BOX BODY COVER WELD Ass'y	WELD Ass'y (용접품)

12-33.CASH BOX Ass'y

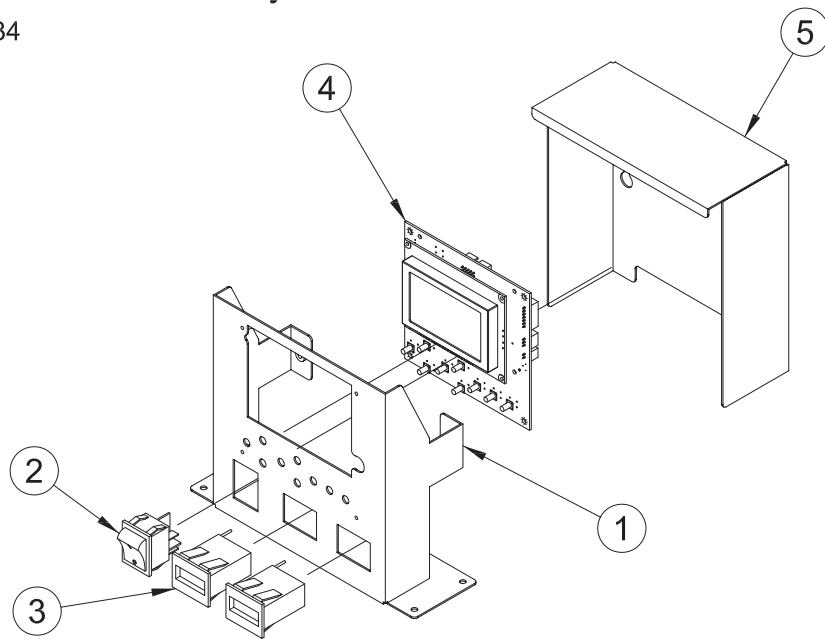
ACBD0ASM033



NO.	PART NO.	QUANTITY	PART NAME	SPEC.
1	MCBD0MET123	1	CASH BOX	SPCC-1.2t
2	MZZZ0KEY013	1	Key Ass'y (6001)	6001

12-34.AC POWER SWITCH Ass'y

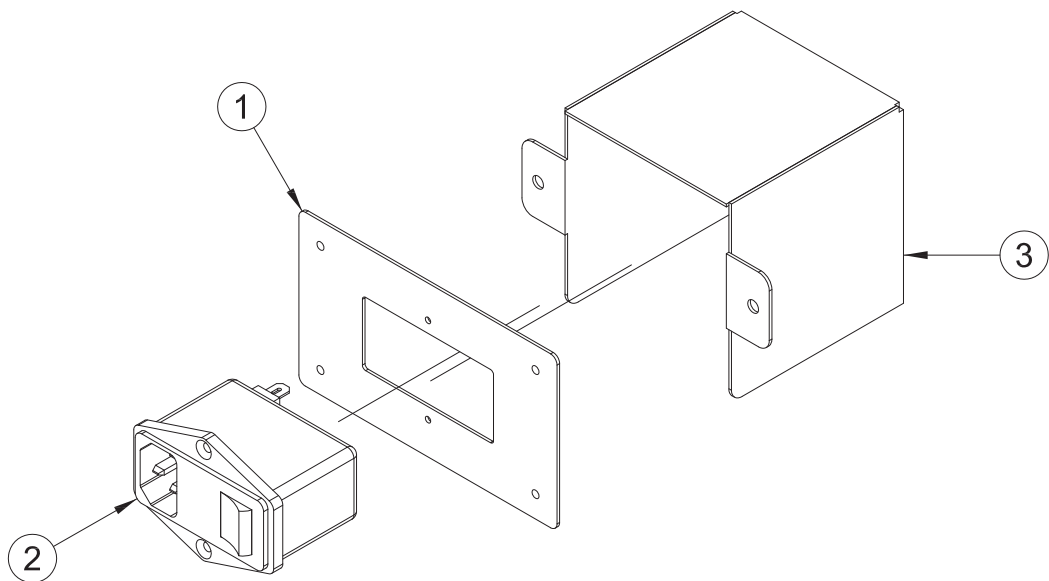
ACBD0ASM034



NO.	PART NO.	QUANTITY	PART NAME	SPEC.
1	MCBD0MET125	1	AC POWER SWITCH BRACKET	SPCC-1.2t
2	MELE0SWI004	1	ROCKER SWITCH	RL2-321/N-C-RE/BK-P2(B)
3	MZZZ0COU002	2	COUNTER	AMMC-712(OA127CL)
4	AMAR0BOA016	1	SETUP LCD BOARD Ass'y	KMLCD-160G-116A SETUP + MELE0LCB001 LCD
5	MCBD0MET129	1	AC POWER SWITCH COVER BKT	OPTION

12-35.NOISE FILTER Ass'y

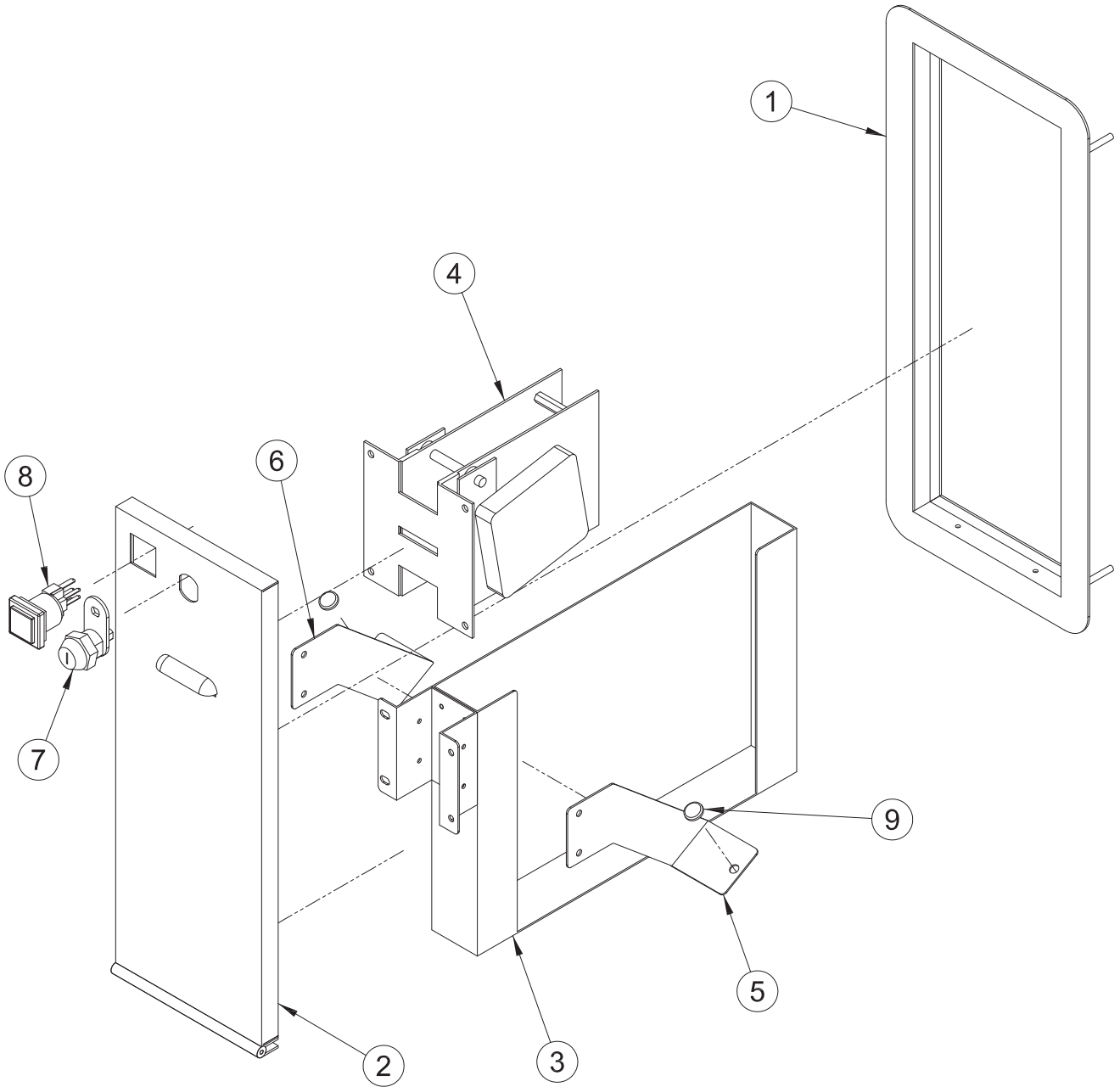
ACBD0ASM035



NO.	PART NO.	QUANTITY	PART NAME	SPEC.
1	MCBD0MET126	1	AC INPUT BRACKET	SPCC-1.2t
2	MELE0NOI002	1	NOISE FILTER	IP-0642-H2
3	MCBD0MET131	1	NOISE FILTER COVER	OPTION

12-36.TICKET BOX Ass'y

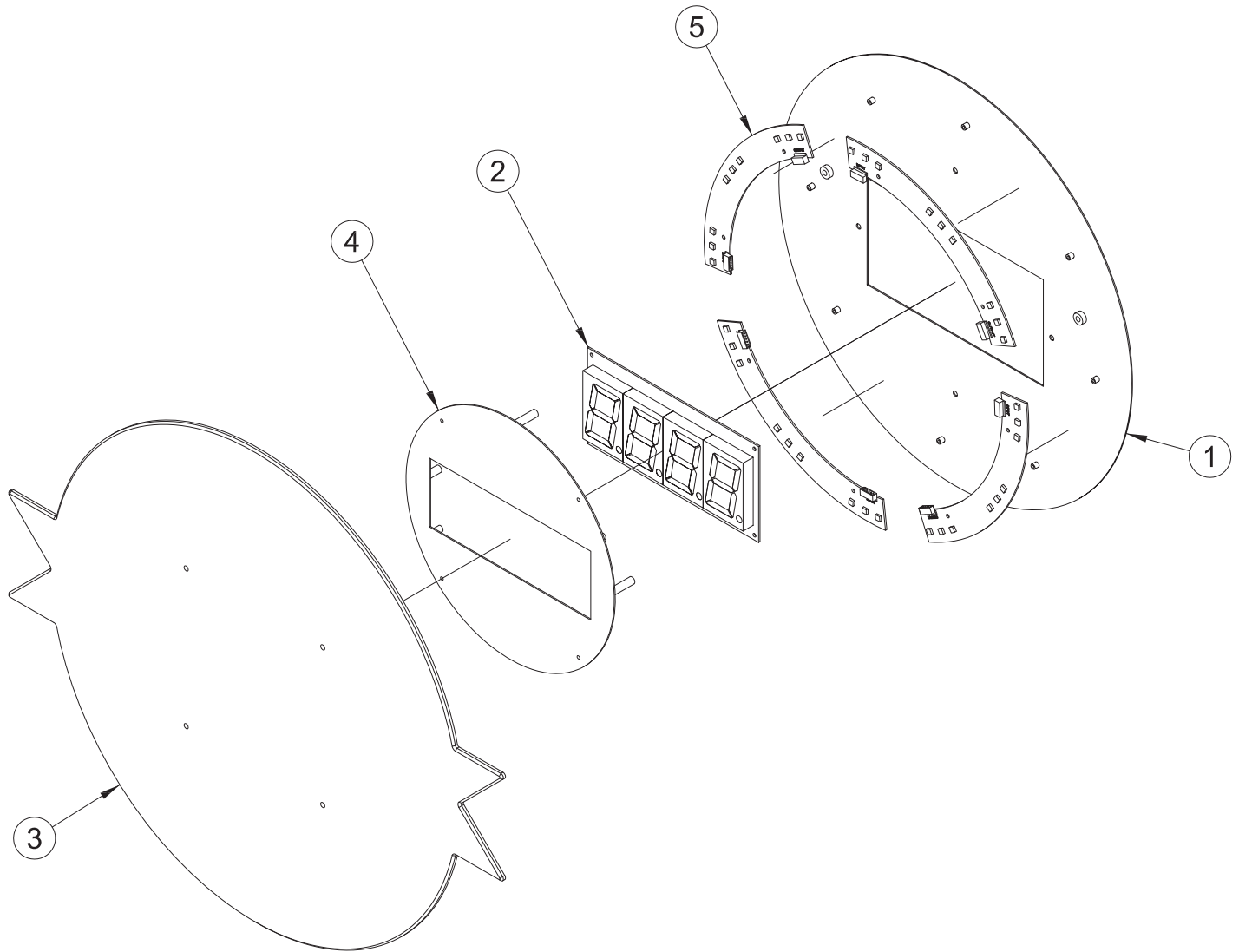
ACBD0ASM036



NO.	PART NO.	QUANTITY	PART NAME	SPEC.
1	MCBD0MET118	1	TICKET DOOR COVER BKT	SPCC-1.6t
2	MCBD0MET116	1	TICKET DOOR WELD Ass'y	WELD Ass'y (용접품)
3	MCBD0MET117	1	TICKET BOX WELD Ass'y	WELD Ass'y (용접품)
4	MZZZ0TID003	1	TICKET DISPENSER	CLECO
5	MCBD0MET119	1	TICKET DOOR STOP BAR	SPCC-1.2t
6	MCBD0MET120	1	TICKET DOOR STOP BAR_mir	SPCC-1.2t
7	MZZZ0KEY032	1	Key Ass'y (7001)	7001
8	MHA20000007	1	BUTTON Ass'y	AM1PB-26SH-R12D
9	MZZZ0RUB003	2	Φ6 SHOCK ABSORBER	6Φ

12-37.BIG WIN ZONE Ass'y (NEW)

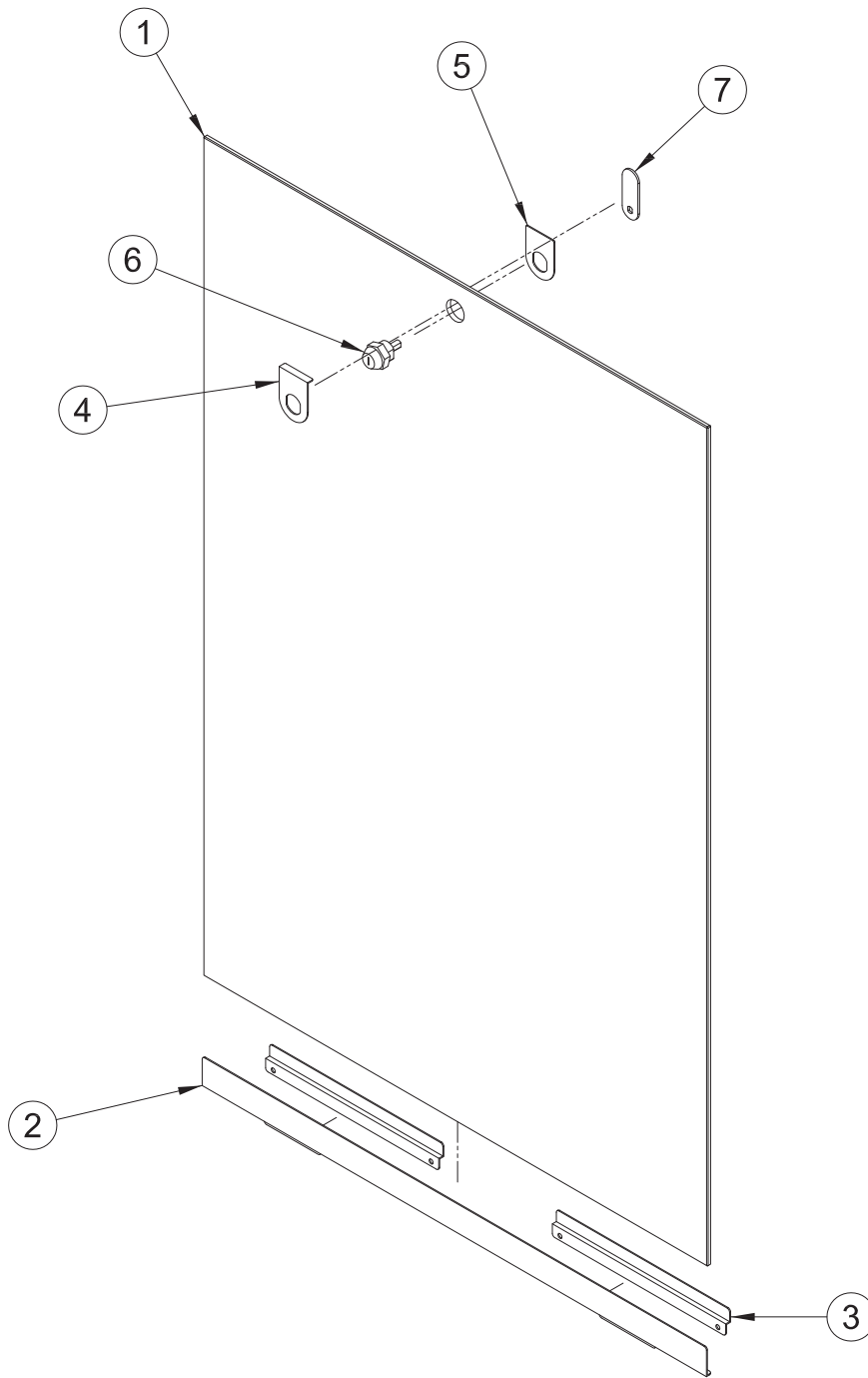
ACBD0ASM083



NO.	PART NO.	QUANTITY	PART NAME	SPEC.
1	MCBD0MET084	1	BIG WIN ZONE BASE BKT	SPCC-1.2t
2	AUFE0PCB003	1	BONUS FND(KMFND-1208-033B) BOARD	KMFND-1208-033B
3	MCBD0A&S017	1	BIG WIN ZONE COVER ACRYL (NEW)	CLEAR ACRYL-4.5t(투명 압출판 아크릴)
4	MCBD0MET085	1	BONUS FND FIXED BKT	SPCC-1.2t
5	ACBD0BOA006	4	BIG WIN ZONE LED BOARD	KMLED-1808-180A

12-38.MAIN FRAME FRONT GLASS Ass'y

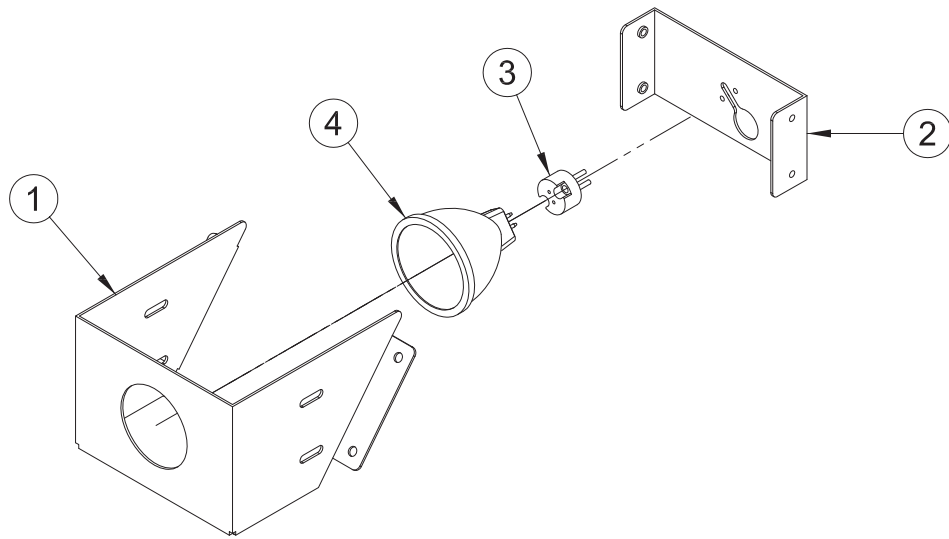
ACBD0ASM038



NO.	PART NO.	QUANTITY	PART NAME	SPEC.
1	MCBD0GLA003	1	MAIN FRAME FRONT GLASS	TEMPERED GLASS- 5.0t (강화유리)
2	MCBD0MET067	1	MAIN FRAME FRONT GLASS FIXED BKT-A	SPCC-1.2t
3	MCBD0MET068	2	MAIN FRAME FRONT GLASS FIXED BKT-B	SPCC-1.2t
4	MCBD0MET074	1	KEY Ass'y PLATE-A	SUS304-1.2t (2P)
5	MCBD0MET075	1	KEY Ass'y PLATE-B	SUS304-1.2t (2P)
6	MZZZ0KEY032	1	Key Ass'y (7001)	7001
7	MCBD0MET073	1	SIDE GLASS KEY PLATE	SPCC-2.0t

12-39.MR16 LAMP Ass'y (NEW)

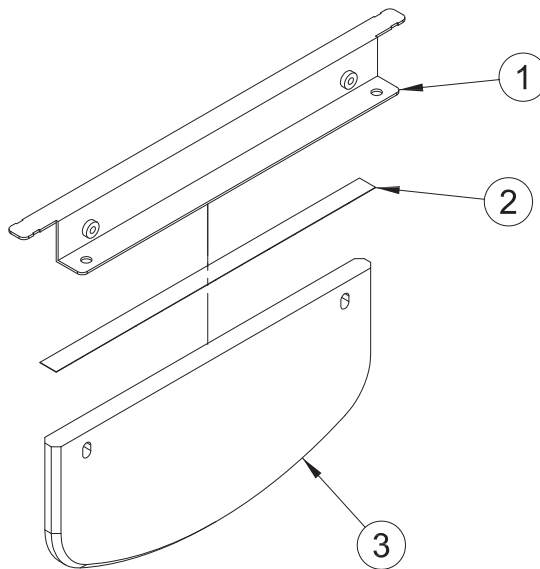
ACBD0ASM092



NO.	Code Number	QUANTITY	PART NAME	SPEC.
1	MCBD0MET139	1	MR16 LAMP COVER BKT (NEW)	SPCC-1.2t
2	MCBD0MET140	1	MR16 LAMP FIXED BKT (NEW)	SPCC-1.2t
3	MZZZ0SOC005	1	MR RECEPTACLE (CIRCLE TYPE)	CIRCLE TYPE
4	MELE0LAM038	1	MR16 12V, 5W	Warm White

12-40.CEILING DECO ACRYL Ass'y

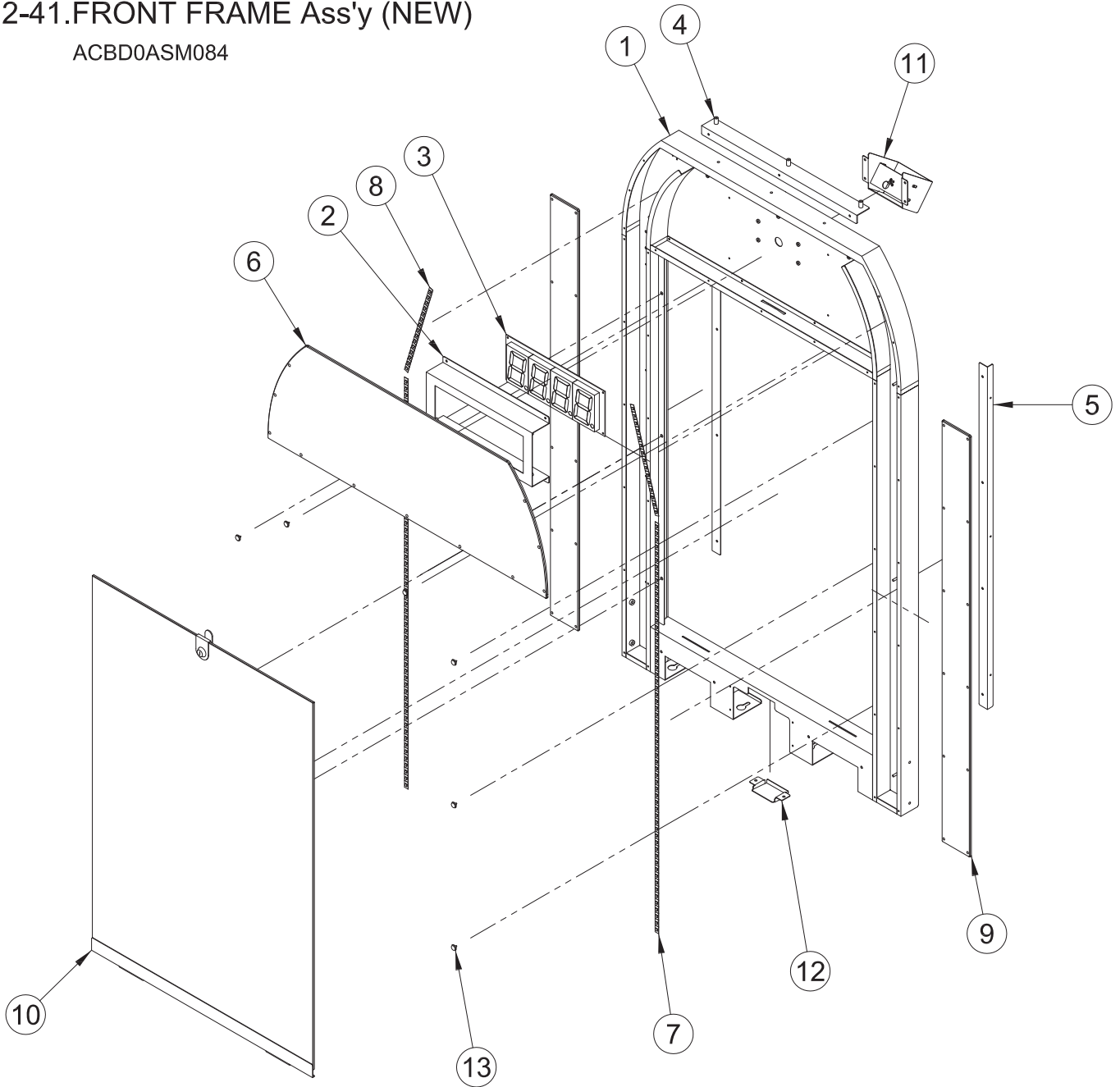
ACBD0ASM040



NO.	Code Number	QUANTITY	PART NAME	SPEC.
1	MCBD0MET072	1	CEILING DECO ACRYL FIXED BKT	GI-1.2t
2	MCBD0FLM004	1	CEILING DECO FLEXIBLE LED	198-1/1-16.5L-12LED-S
3	MCBD0ACR007	1	CEILING DECO ACRYL	CLEAR ACRYL-10.0(투명아크릴)

12-41.FRONT FRAME Ass'y (NEW)

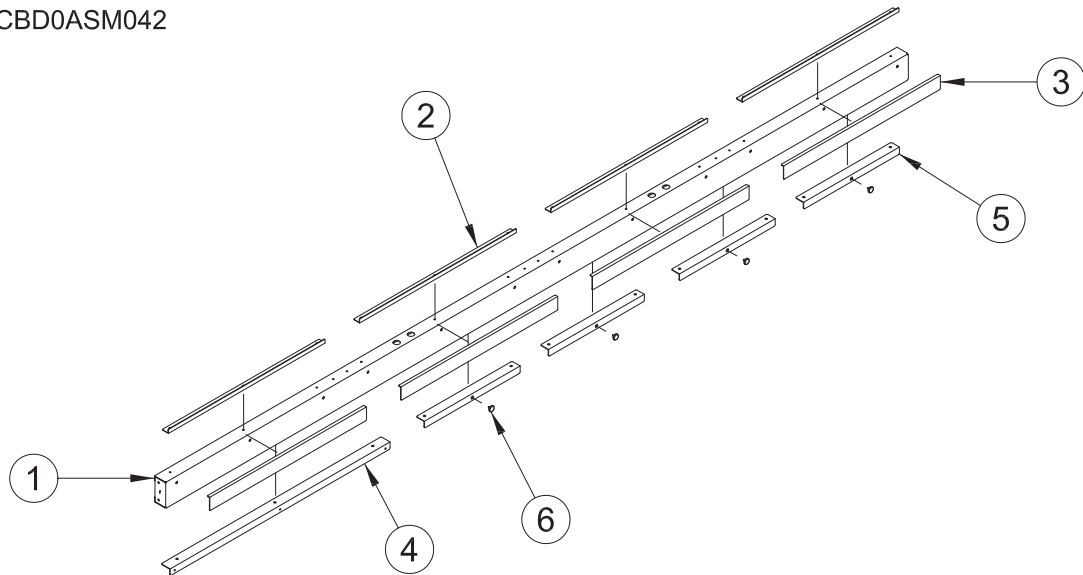
ACBD0ASM084



NO.	PART NO.	QUANTITY	PART NAME	SPEC.
1	MCBD0MET041	1	FRONT FRAME WELD Ass'y	WELD Ass'y (용접품)
2	MCBD0MET042	1	MAIN FRAME BONUS FND FIXED BKT	SPCC-1.2t
3	ATWB0BOA004	1	BONUS FND BOARD 4P (BLUE)	KMFND-1703-131A
4	MCBD0MET043	1	FRONT FRAME TOP PANEL FIXED BKT-A	SPCC-1.6t
5	MCBD0MET045	2	MAIN FRAME SIDE COVER ACRYL FIXED BKT-A	SPCC-1.2t
6	MCBD0A&S016	1	BONUS FND COVER ACRYL (NEW)	CLEAR ACRYL-4.5(투명 압출판 아크릴)
7	MCBD0FLM002	2	FRONT FLEXIBLE LED-A	1006.5-1/1-16.5L-61LED-S
8	MCBD0FLM003	2	FRONT FLEXIBLE LED-B	247.5-1/1-16.5L-15LED-S
9	MCBD0A&S015	2	FRONT LED COVER ACRYL (NEW)	CLEAR ACRYL-4.5(투명 압출판 아크릴)
10	ACBD0ASM038	1	MAIN FRAME FRONT GLASS Ass'y	12-38 (45 page)
11	ACBD0ASM092	1	MR16 LAMP Ass'y (NEW)	12-39 (46 page)
12	MCBD0MET069	1	PUSHER COVER PET GUIDE BKT	SPCC-1.2t
13	MZZZ0RUB003	8	Φ6 SHOCK ABSORBER	6Φ

12-42.SIDE TOP FRAME Ass'y-R

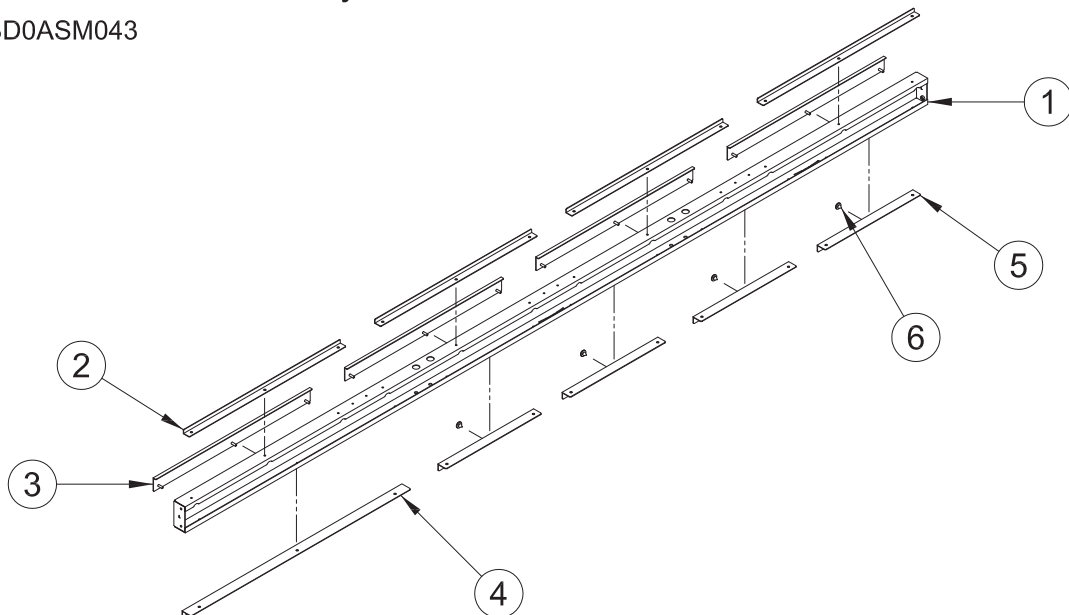
ACBD0ASM042



NO.	PART NO.	QUANTITY	PART NAME	SPEC.
1	MCBD0MET051	1	SIDE TOP FRAME BKT-R	SPCC-1.2t
2	MCBD0MET053	4	FRONT FRAME TOP COVER ACRYL GUIDE BKT-A	SPCC-1.2t
3	MCBD0MET054	4	FRONT FRAME TOP COVER ACRYL GUIDE BKT-B	SPCC-1.2t
4	MCBD0MET047	1	MAIN FRAME SIDE COVER ACRYL FIXED BKT-C	SPCC-1.2t
5	MCBD0MET050	4	MAIN FRAME SIDE GLASS GUIDE BKT-B	SPCC-1.2t
6	MZZZ0RUB003	4	Φ6 SHOCK ABSORBER	6Φ

12-43.SIDE TOP FRAME Ass'y-L

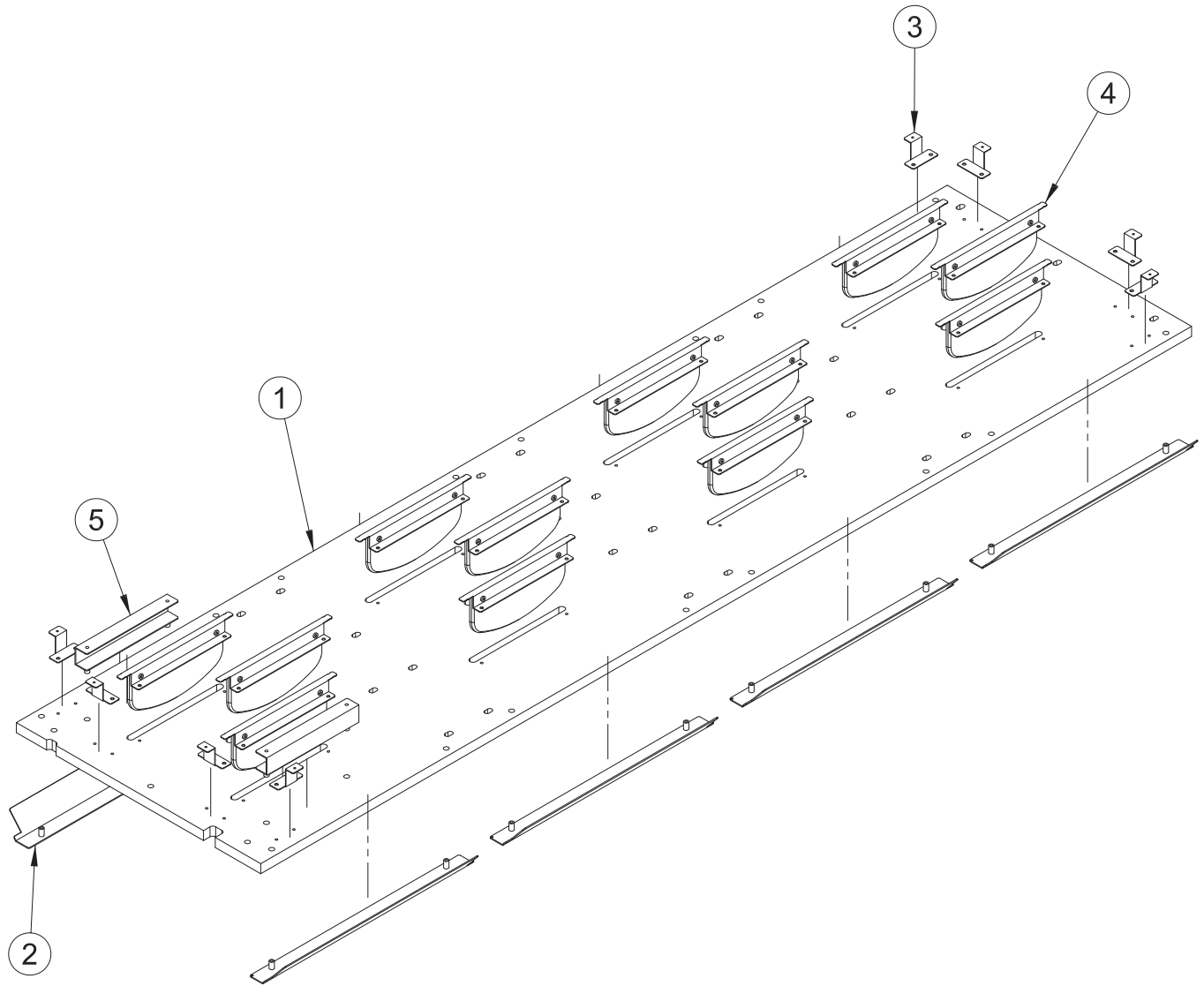
ACBD0ASM043



NO.	PART NO.	QUANTITY	PART NAME	SPEC.
1	MCBD0MET052	1	SIDE TOP FRAME BKT-L	SPCC-1.2t
2	MCBD0MET053	4	FRONT FRAME TOP COVER ACRYL GUIDE BKT-A	SPCC-1.2t
3	MCBD0MET054	4	FRONT FRAME TOP COVER ACRYL GUIDE BKT-B	SPCC-1.2t
4	MCBD0MET047	1	MAIN FRAME SIDE COVER ACRYL FIXED BKT-C	SPCC-1.2t
5	MCBD0MET050	4	MAIN FRAME SIDE GLASS GUIDE BKT-B	SPCC-1.2t
6	MZZZ0RUB003	4	Φ6 SHOCK ABSORBER	6Φ

12-44.FRONT FRAME TOP PANEL Ass'y (NEW)

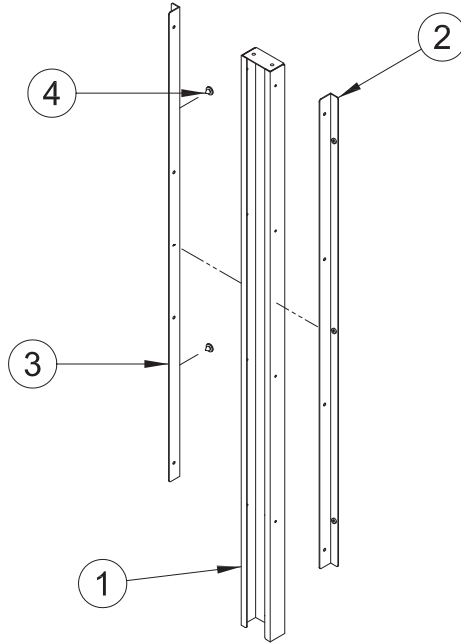
ACBD0ASM085



NO.	PART NO.	QUANTITY	PART NAME	SPEC.
1	MCBD0WOO004	1	FRONT FRAME TOP PANEL	PW-18.0t
2	MCBD0MET057	8	FRONT FRAME TOP COVER ACRYL SUPPORT BKT	SPCC-1.6t
3	MCBD0MET064	8	FRONT FRAME TOP COVER FIXED BKT	SPCC-1.2t
4	ACBD0ASM040	12	CEILING DECO ACRYL Ass'y	12-40 (46 page)
5	MCBD0MET146	2	TOP BILLBOARD FIXED BKT-C	GI-1.6t

12-45.SIDE FRAME BKT-A Ass'y-R

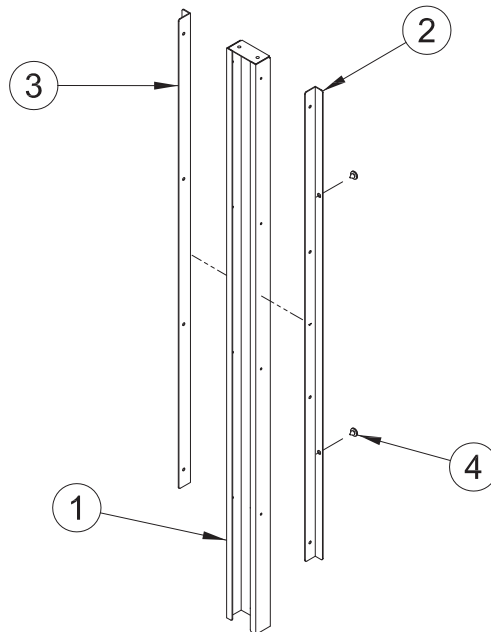
ACBD0ASM045



NO.	Code Number	QUANTITY	PART NAME	SPEC.
1	MCBD0MET058	1	SIDE FRAME BKT-A	SPCC-1.2t
2	MCBD0MET045	1	MAIN FRAME SIDE COVER ACRYL FIXED BKT-A	SPCC-1.2t
3	MCBD0MET049	1	MAIN FRAME SIDE GLASS GUIDE BKT-A	SPCC-1.2t
4	MZZZ0RUB003	2	Φ6 SHOCK ABSORBER	6Φ

12-46.SIDE FRAME BKT-A Ass'y-L

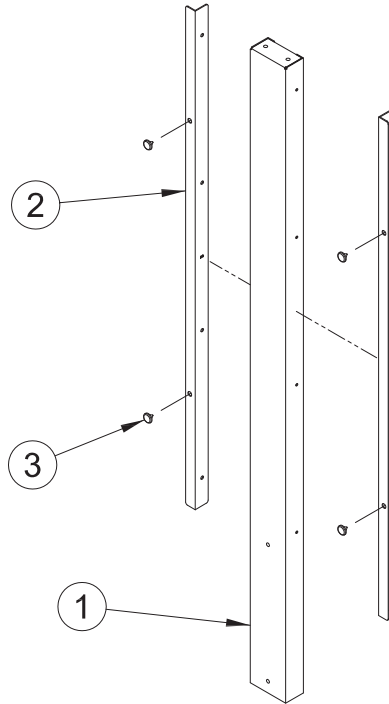
ACBD0ASM046



NO.	Code Number	QUANTITY	PART NAME	SPEC.
1	MCBD0MET058	1	SIDE FRAME BKT-A	SPCC-1.2t
2	MCBD0MET049	1	MAIN FRAME SIDE GLASS GUIDE BKT-A	SPCC-1.2t
3	MCBD0MET045	1	MAIN FRAME SIDE COVER ACRYL FIXED BKT-A	SPCC-1.2t
4	MZZZ0RUB003	2	Φ6 SHOCK ABSORBER	6Φ

12-47.SIDE FRAME BKT-B Ass'y

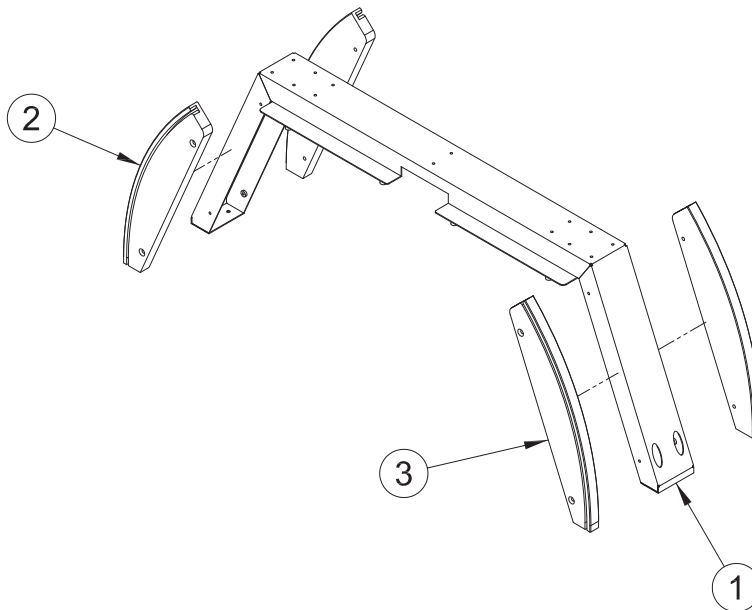
ACBD0ASM047



NO.	Code Number	QUANTITY	PART NAME	SPEC.
1	MCBD0MET059	1	SIDE FRAME BKT-B	SPCC-1.2t
2	MCBD0MET046	2	MAIN FRAME SIDE COVER ACRYL FIXED BKT-B	SPCC-1.2t
3	MZZZ0RUB003	4	Φ6 SHOCK ABSORBER	6Φ

12-48.SIDE TOP FRAME SUPPORT BKT Ass'y

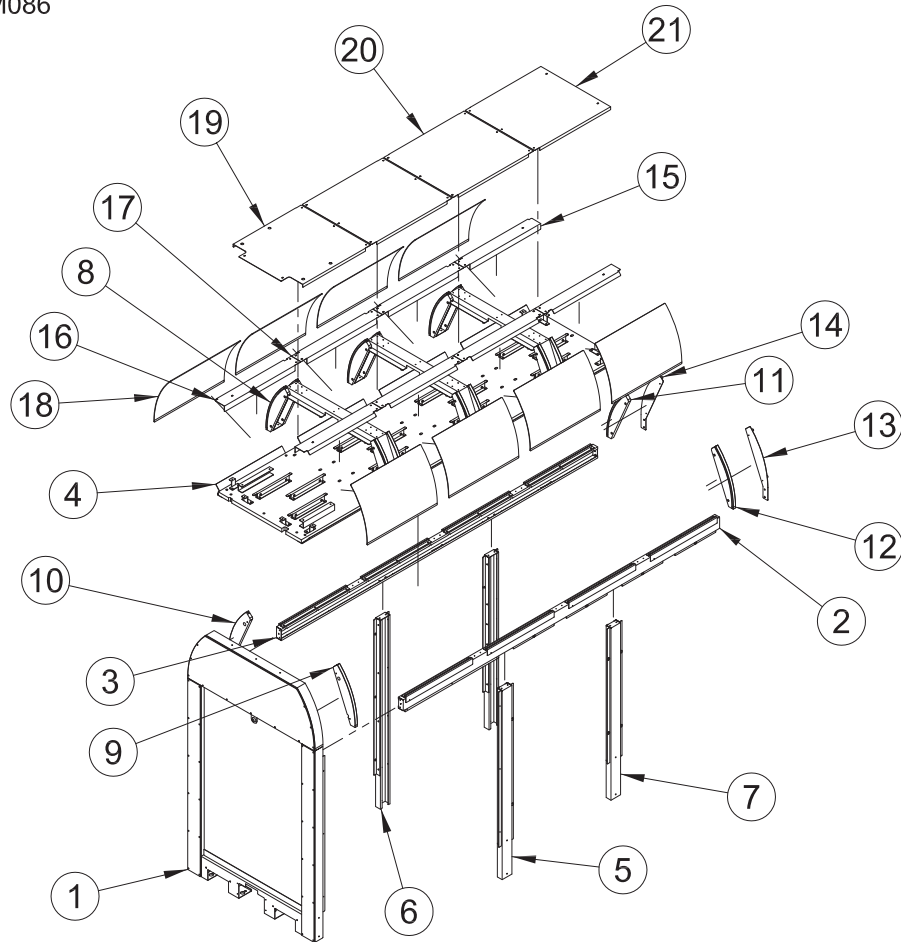
ACBD0ASM048



NO.	Code Number	QUANTITY	PART NAME	SPEC.
1	MCBD0MET060	1	SIDE TOP FRAME SUPPORT BKT	SPCC-1.2t
2	MCBD0ACR009	2	TOP COVER GUIDE ACRYL-A	CLEAR ACRYL-15.0t(투명아크릴)
3	MCBD0ACR010	2	TOP COVER GUIDE ACRYL-B	CLEAR ACRYL-15.0t(투명아크릴)

12-49.MAIN FRAME Ass'y (NEW)

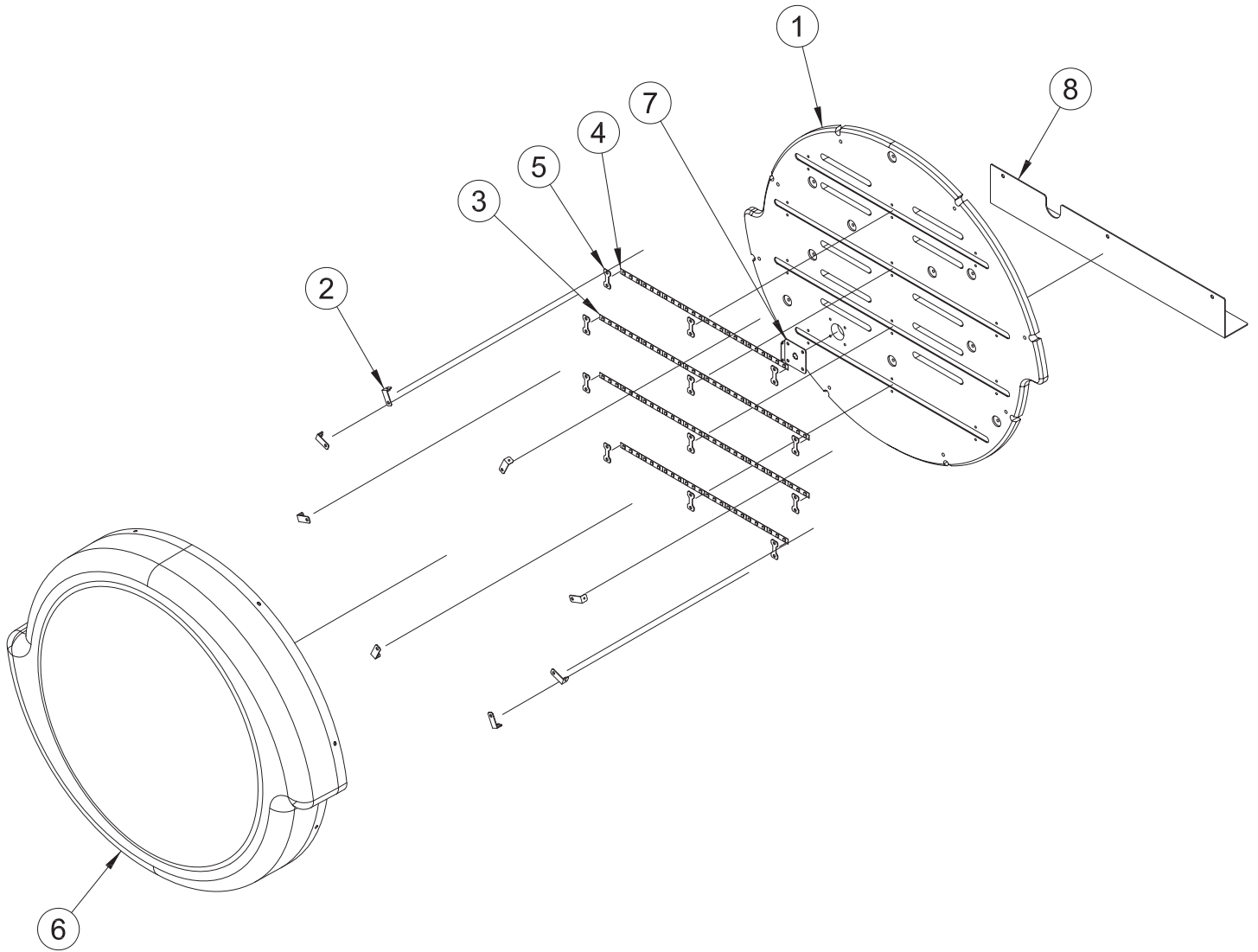
ACBD0ASM086



NO.	PART NO.	QUANTITY	PART NAME	SPEC.
1	ACBD0ASM084	1	FRONT FRAME Ass'y (NEW)	12-41 (47 page)
2	ACBD0ASM042	1	SIDE TOP FRAME Ass'y-R	12-42 (48 page)
3	ACBD0ASM043	1	SIDE TOP FRAME Ass'y-L	12-43 (48 page)
4	ACBD0ASM085	1	FRONT FRAME TOP PANEL Ass'y (NEW)	12-44 (49 page)
5	ACBD0ASM045	1	SIDE FRAME BKT-A Ass'y-R	12-45 (50 page)
6	ACBD0ASM046	1	SIDE FRAME BKT-A Ass'y-L	12-46 (50 page)
7	ACBD0ASM047	2	SIDE FRAME BKT-B Ass'y	12-47 (51 page)
8	ACBD0ASM048	3	SIDE TOP FRAME SUPPORT BKT Ass'y	12-48 (51 page)
9	MCBD0ACR011	1	TOP COVER GUIDE FRONT ACRYL-R	CLEAR ACRYL-15.0t(투명아크릴)
10	MCBD0ACR012	1	TOP COVER GUIDE FRONT ACRYL-L	CLEAR ACRYL-15.0t(투명아크릴)
11	MCBD0ACR009	1	TOP COVER GUIDE ACRYL-A	CLEAR ACRYL-15.0t(투명아크릴)
12	MCBD0ACR010	1	TOP COVER GUIDE ACRYL-B	CLEAR ACRYL-15.0t(투명아크릴)
13	MCBD0MET056	1	TOP COVER GUIDE ACRYL BACK FIXED BKT-R	SPCC-1.2t
14	MCBD0MET055	1	TOP COVER GUIDE ACRYL BACK FIXED BKT-L	SPCC-1.2t
15	MCBD0MET061	2	FRONT FRAME TOP COVER BKT-A	SPCC-1.2t
16	MCBD0MET062	2	FRONT FRAME TOP COVER BKT-B	SPCC-1.2t
17	MCBD0MET063	4	FRONT FRAME TOP COVER BKT-C	SPCC-1.2t
18	MCBD0ACR001	8	FRONT FRAME TOP COVER ACRYL	CLEAR PC-2.0t (투명PC아크릴)
19	MCBD0MET142	1	MAIN FRAME TOP COVER BKT-A (NEW)	SPCC-1.2t
20	MCBD0MET137	2	MAIN FRAME TOP COVER BKT-B	SPCC-1.2t
21	MCBD0MET138	1	MAIN FRAME TOP COVER BKT-C	SPCC-1.2t

12-50.TOP BILLBOARD VACUUM Ass'y (NEW)

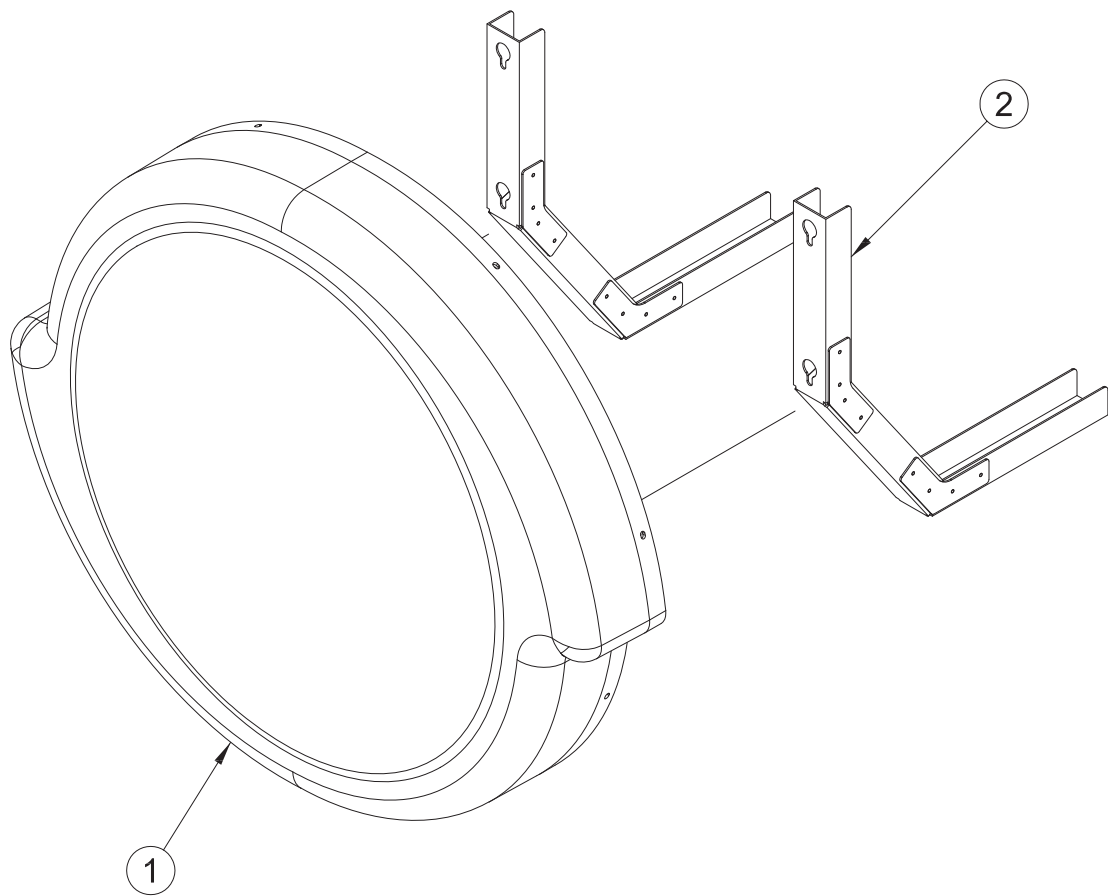
ACBD0ASM087



NO.	PART NO.	QUANTITY	PART NAME	SPEC.
1	MCBD0WOO017	1	BILLBOARD VACUUM BACK PANEL (NEW)	PW-15.0t
2	MCBD0MET005	8	VACUUM FIXED BKT	GI-1.2t
3	MCBD0FLM009	2	TOP BILLBOARD FLEXIBLE LED-D	500-1/3-50L-30LED (방수커버용)
4	MCBD0FLM010	2	TOP BILLBOARD FLEXIBLE LED-E	400-1/3-50L-24LED (방수커버용)
5	MCBD0MET006	12	FLEXIBLE LED WOOD FIXED BKT	GI-1.2t
6	MPOR0MOL001	1	BILLBOARD VACUUM (NEW)	G PET-3.0t
7	MCBD0MET150	1	TOP BILLBOARD CONNECTOR BKT	GI1.2t
8	MCBD0MET151	1	TOP BILLBOARD FIXED BKT (NEW)	SPCC-1.6t

12-52.TOP BILLBOARD Ass'y (NEW)

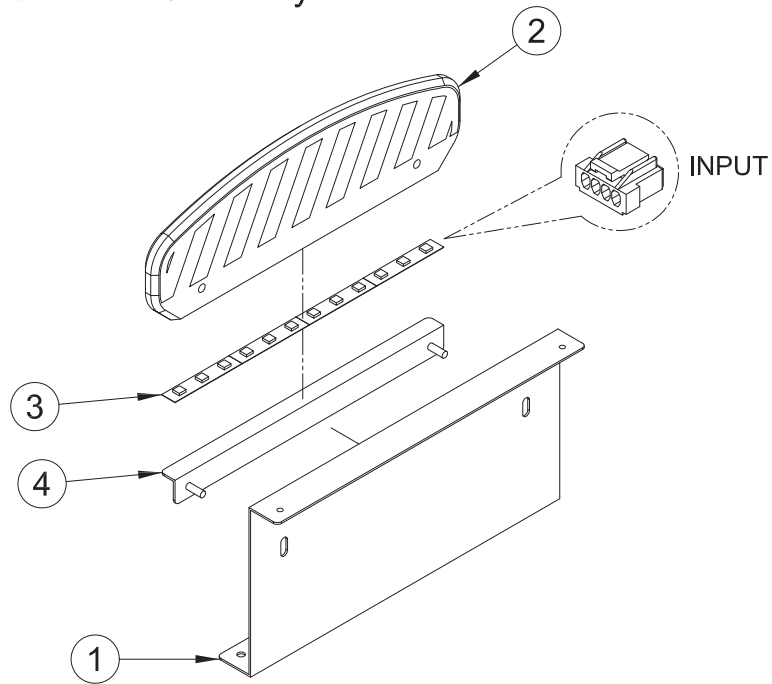
ACBD0ASM088



NO.	PART NO.	QUANTITY	PART NAME	SPEC.
1	ACBD0ASM087	1	TOP BILLBOARD VACUUM Ass'y (NEW)	12-50 (53 page)
2	MCBD0MET148	2	TOP BILLBOARD FIXED BKT WELD Ass'y (NEW)	WELD Ass'y (용접품)

12-53.TICKET OWED SIDE DECO Ass'y-R

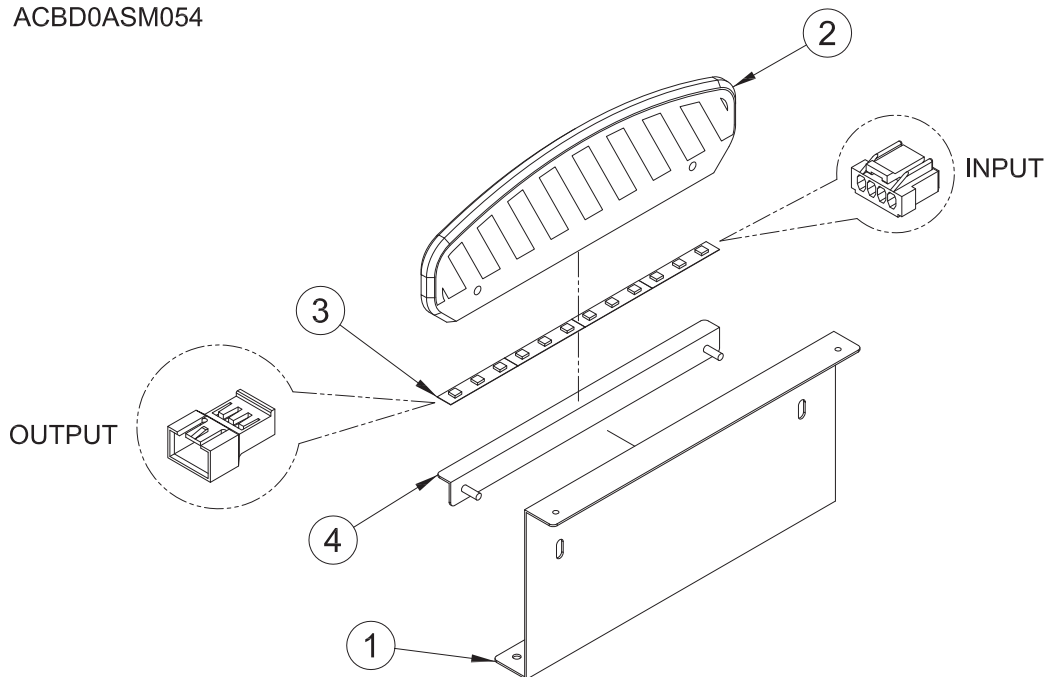
ACBD0ASM053



NO.	Code Number	QUANTITY	PART NAME	SPEC.
1	MCBD0MET095	1	TICKET OWED COVER FIXED BKT-A	GI-1.2t
2	MCBD0A&S009	1	TICKET OWED SIDE DECO ACRYL-R	CLEAR ACRYL-10.0t(투명아크릴)
3	MCBD0FLM005	1	TICKET OWED SIDE DECO FLEXIBLE LED	200-1/3-50L-12LED
4	MCBD0MET097	1	TICKET OWED DECO FLEXIBLE LED FIXED BKT	GI-1.2t

12-54.TICKET OWED SIDE DECO Ass'y-L

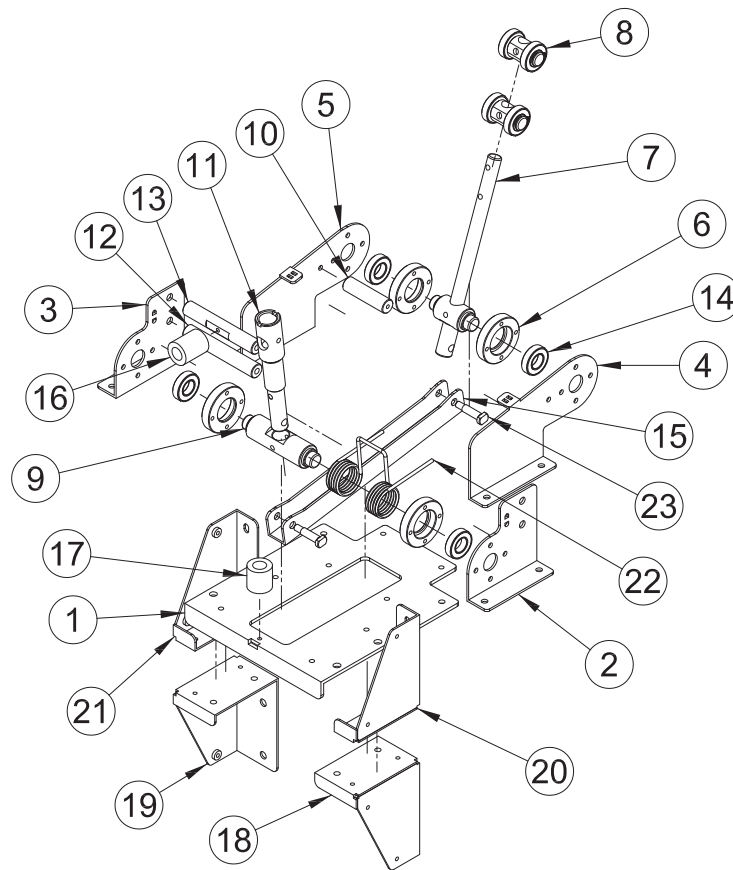
ACBD0ASM054



NO.	Code Number	QUANTITY	PART NAME	SPEC.
1	MCBD0MET095	1	TICKET OWED COVER FIXED BKT-A	GI-1.2t
2	MCBD0A&S010	1	TICKET OWED SIDE DECO ACRYL-L	CLEAR ACRYL-10.0t(투명아크릴)
3	MCBD0FLM005	1	TICKET OWED SIDE DECO FLEXIBLE LED	200-1/3-50L-12LED
4	MCBD0MET097	1	TICKET OWED DECO FLEXIBLE LED FIXED BKT	GI-1.2t

12-55.PUSHER BASE Ass'y

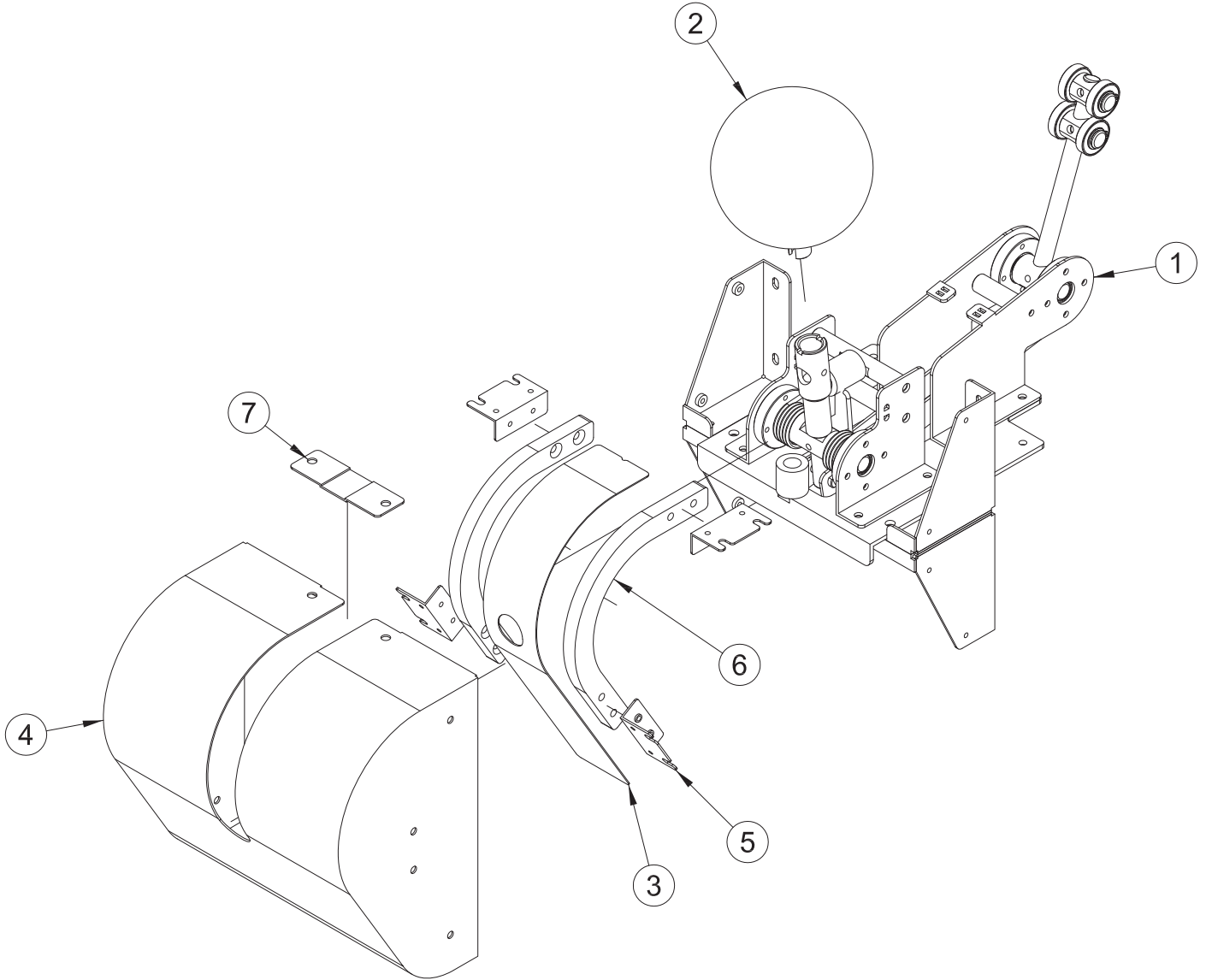
ACBD0ASM055



NO.	PART NO.	QUANTITY	PART NAME	SPEC.
1	MCBD0MET101	1	PUSHER BASE BKT	SPCC-3.0t
2	MCBD0MET102	1	PUSHER HOUSING FIXED BKT-R	SPCC-2.0t
3	MCBD0MET103	1	PUSHER HOUSING FIXED BKT-L	SPCC-2.0t
4	MCBD0MET104	1	PUSHER HIT BASE BKT-R	SPCC-2.0t
5	MCBD0MET105	1	PUSHER HIT BASE BKT-L	SPCC-2.0t
6	MCBD0PRO007	4	PUSHER HOUSING	SM45C
7	MCBD0PRO003	1	PUSHER HIT SHAFT WELD Ass'y	WELD Ass'y (용접품)
8	ACBD0ASM002	2	PUSHER BALL HIT GUIDE SHAFT Ass'y	12-2 (22 page)
9	MCBD0PRO010	1	PUSHER SPRING SHAFT	SM45C
10	MCBD0PRO014	1	PUSHER HIT SUPPORT SHAFT	SM45C
11	MCBD0PRO005	1	PUSHER SHAFT	SM45C
12	MCBD0PRO008	1	PUSHER SPRING GUIDE SHAFT	SM45C
13	MCBD0PRO009	1	PUSHER SPRING STOPPER SHAFT	SM45C
14	MZZZ0BEA067	4	BEARING 6901ZZ	BEARING 6901ZZ
15	MCBD0MET110	1	PUSHER LINK BKT	SPCC-2.0t
16	MCBD0PRO018	1	PUSHER STOPPER PUSH URETHANE	URETHANE (우레탄)
17	MCBD0PRO019	1	PUSHER STOPPER PULL URETHANE	URETHANE (우레탄)
18	MCBD0MET106	1	PUSHER Ass'y FIXED BKT-R	SPCC-1.6t
19	MCBD0MET107	1	PUSHER Ass'y FIXED BKT-L	SPCC-1.6t
20	MCBD0MET108	1	PUSHER Ass'y UPPER FIXED BKT-R	SPCC-1.6t
21	MCBD0MET109	1	PUSHER Ass'y UPPER FIXED BKT-L	SPCC-1.6t
22	MCBD0SPR002	1	PUSHER SPRING (NEW)	PW-Φ2.8
23	MCBD0PRO013	2	PUSHER LINK PIN	SM45C

12-56.PUSHER Ass'y (NEW)

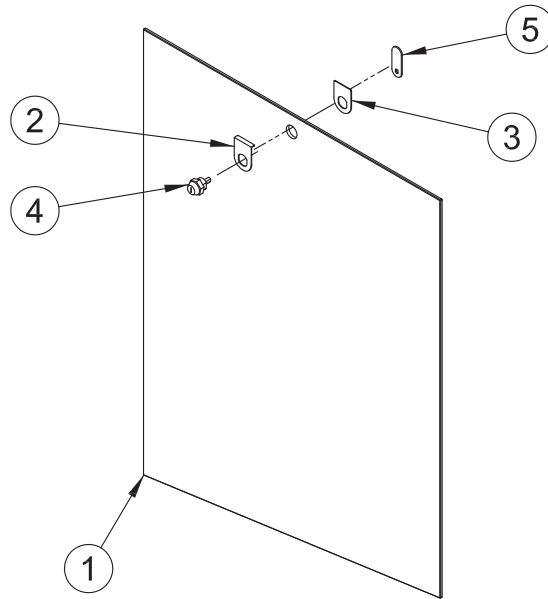
ACBD0ASM089



NO.	PART NO.	QUANTITY	PART NAME	SPEC.
1	ACBD0ASM055	1	PUSHER BASE Ass'y	12-55 (56 page)
2	ACBD0ASM063	1	PUSHER HANDLE Ass'y	12-63 (61 page)
3	MCBD0ACR015	1	PUSHER COVER PE	PE-0.8t
4	MCBD0MET133	1	PUSHER COVER BKT (NEW)	SPCC-1.2t
5	MCBD0MET099	4	PUSHER COVER PET SLIDE BKT	SPCC-1.2t
6	MCBD0ACR008	2	PUSHER COVER PET GUIDE ACRYL	CLEAR ACRYL-10.0t(투명아크릴)
7	MCBD0MET134	1	PUSHER TOP COVER BKT (NEW)	SPCC-1.2t

12-57.SIDE FRONT GLASS Ass'y-R

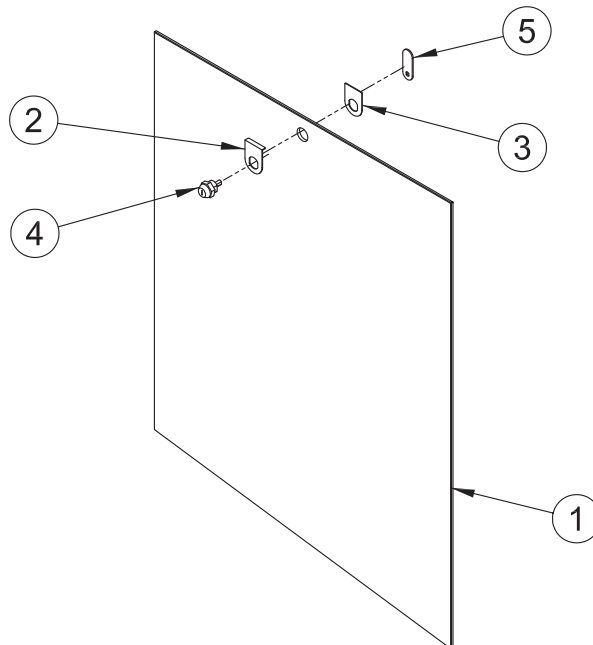
ACBD0ASM057



NO.	PART NO.	QUANTITY	PART NAME	SPEC.
1	MCBD0GLA001	1	SIDE FRONT GLASS	TEMPERED GLASS- 5.0t (강화유리)
2	MCBD0MET074	1	KEY Ass'y PLATE-A	SUS304-1.2t (2P)
3	MCBD0MET075	1	KEY Ass'y PLATE-B	SUS304-1.2t (2P)
4	MZZZ0KEY032	1	Key Ass'y (7001)	7001
5	MCBD0MET073	1	SIDE GLASS KEY PLATE	SPCC-2.0t

12-58.SIDE FRONT GLASS Ass'y-L

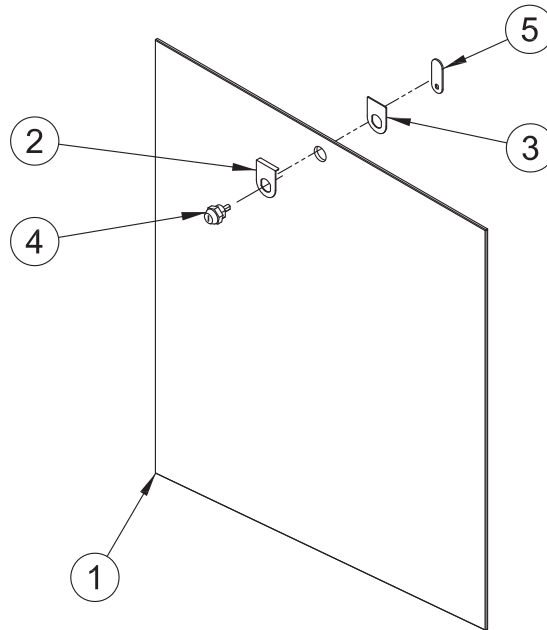
ACBD0ASM058



NO.	PART NO.	QUANTITY	PART NAME	SPEC.
1	MCBD0GLA001	1	SIDE FRONT GLASS	TEMPERED GLASS- 5.0t (강화유리)
2	MCBD0MET074	1	KEY Ass'y PLATE-A	SUS304-1.2t (2P)
3	MCBD0MET075	1	KEY Ass'y PLATE-B	SUS304-1.2t (2P)
4	MZZZ0KEY032	1	Key Ass'y (7001)	7001
5	MCBD0MET073	1	SIDE GLASS KEY PLATE	SPCC-2.0t

12-59.SIDE REAR GLASS Ass'y-R

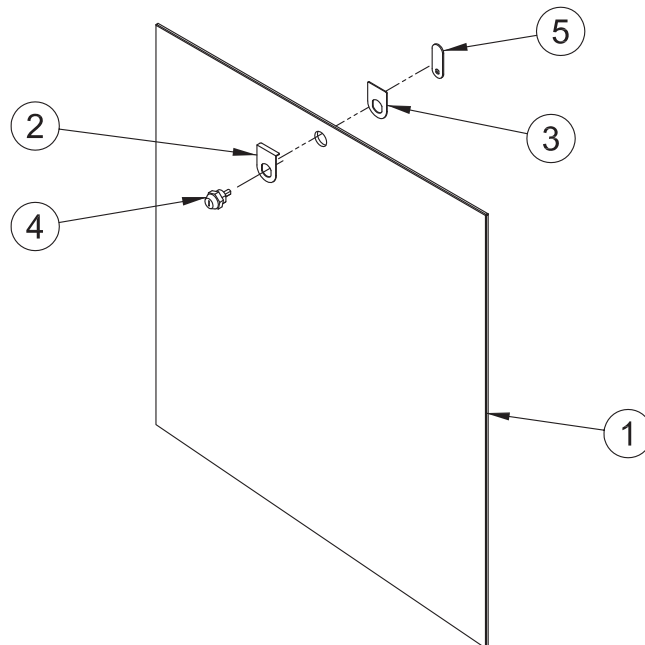
ACBD0ASM059



NO.	PART NO.	QUANTITY	PART NAME	SPEC.
1	MCBD0GLA002	1	SIDE REAR GLASS	TEMPERED GLASS- 5.0t (강화유리)
2	MCBD0MET074	1	KEY Ass'y PLATE-A	SUS304-1.2t (2P)
3	MCBD0MET075	1	KEY Ass'y PLATE-B	SUS304-1.2t (2P)
4	MZZZ0KEY032	1	Key Ass'y (7001)	7001
5	MCBD0MET073	1	SIDE GLASS KEY PLATE	SPCC-2.0t

12-60.SIDE REAR GLASS Ass'y-L

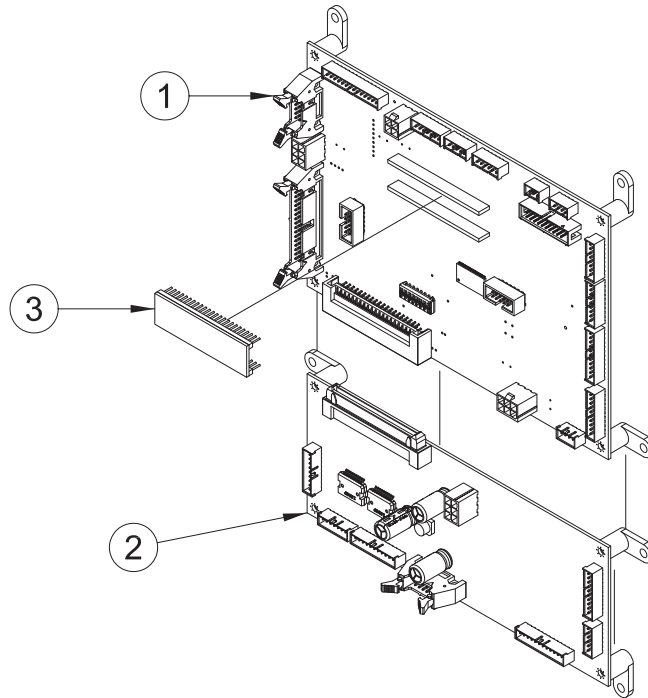
ACBD0ASM060



NO.	PART NO.	QUANTITY	PART NAME	SPEC.
1	MCBD0GLA002	1	SIDE REAR GLASS	TEMPERED GLASS- 5.0t (강화유리)
2	MCBD0MET074	1	KEY Ass'y PLATE-A	SUS304-1.2t (2P)
3	MCBD0MET075	1	KEY Ass'y PLATE-B	SUS304-1.2t (2P)
4	MZZZ0KEY032	1	Key Ass'y (7001)	7001
5	MCBD0MET073	1	SIDE GLASS KEY PLATE	SPCC-2.0t

12-61.MONSTER CANDY MAIN BOARD Ass'y

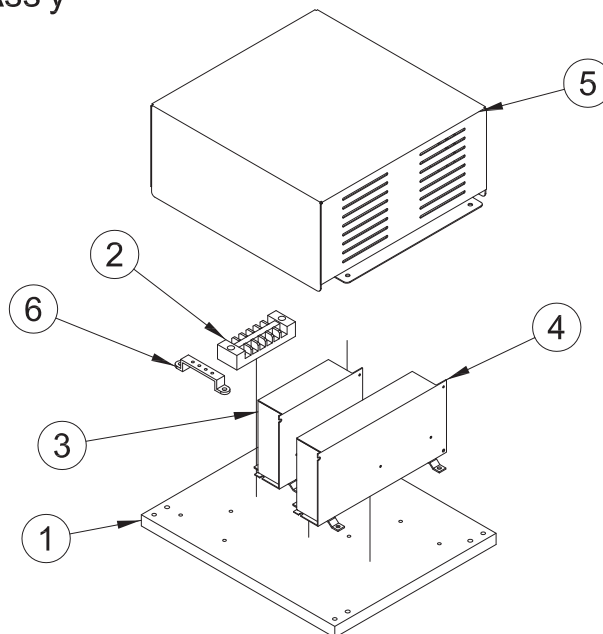
ACBD0ASM061



NO.	Code Number	QUANTITY	PART NAME	SPEC.
1	ACBD0BOA008	1	MONSTER CANDY MAIN BOARD	KMMA-1606-104C
2	ACBD0BOA001	1	MONSTER CANDY IO BOARD	KMIO-1807-177B
3	ACBD0BOA007	1	MONSTER CANDY SOUND ROM BOARD	KMMM100808A

12-62.POWER SMPS Ass'y

ACBD0ASM062

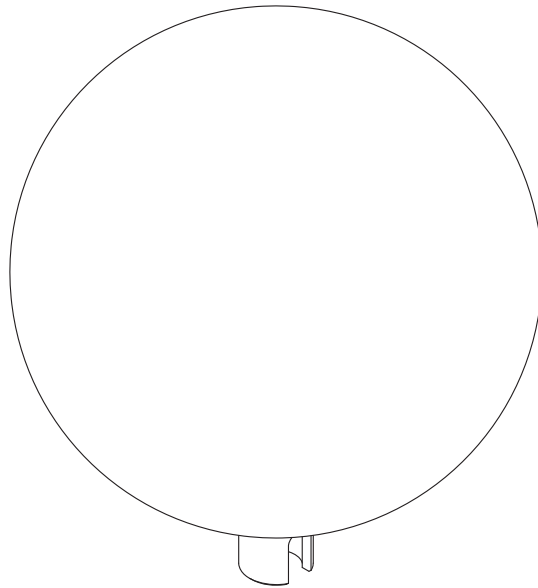


NO.	PART NO.	QUANTITY	PART NAME	SPEC.
1	MCBD0WOO008	1	SMPS PLATE	PW - 15.0t
2	MELE0TEB001	1	TERMINAL BLOCK (6P)	6P UL
3	MELE0SMP035	1	POWER SMPS (JSF-75-05)	110~240V/5V-12A
4	MELE0SMP031	1	POWER SMPS (JSF-150-12)	110~240V/12V-12.5A
5	MCBD0MET130	1	SMPS COVER BKT	OPTION
6	MCBD0MET152	1	GROUND BKT	GI-3.0t

12-63.PUSHER HANDLE Ass'y

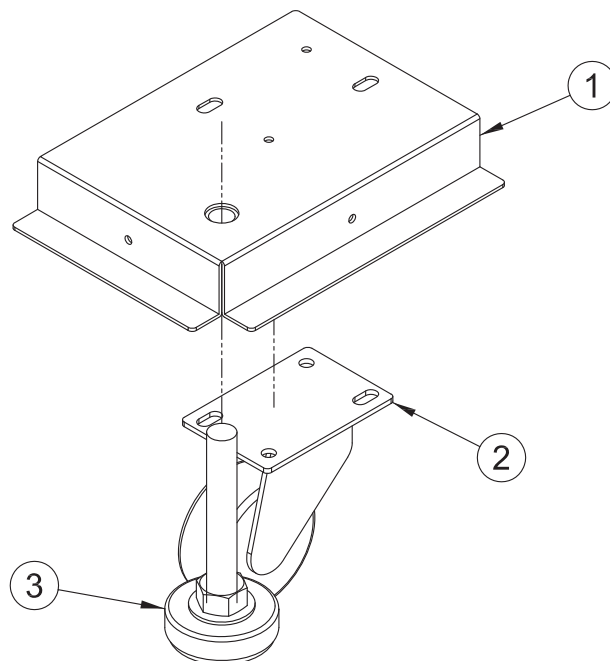
ACBD0ASM063

It is supplied only in an assembled state.



12-64.CASTER Ass'y

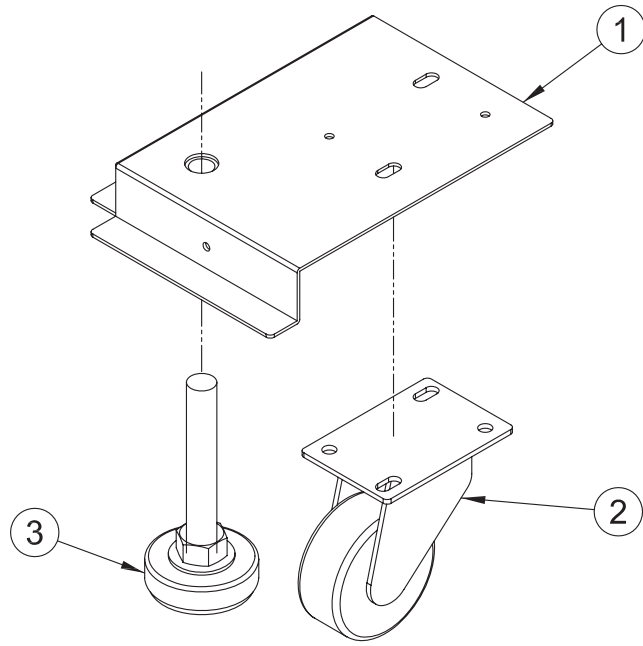
ACBD0ASM064



NO.	PART NO.	QUANTITY	PART NAME	SPEC.
1	MCBD0WOO014	1	CASTER BKT WELD Ass'y	WELD PARTS (용접품)
2	MZZZ0CAS010	1	CASTER	3021-W-BR (3inch)
3	MZZZ0ADJ001	1	ADJUSTER (PV-100-60)	(PV-100-60)

12-65.CASTER Ass'y_mir

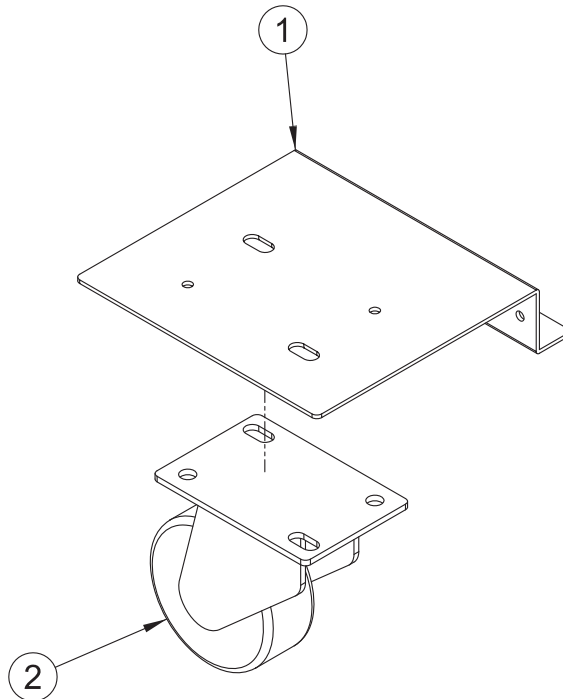
ACBD0ASM065



NO.	PART NO.	QUANTITY	PART NAME	SPEC.
1	MCBD0WOO015	1	CASTER BKT WELD Ass'y_mir	WELD PARTS (용접품)
2	MZZZ0CAS010	1	CASTER	3inch
3	MZZZ0ADJ001	1	ADJUSTER (PV-100-60)	(PV-100-60)

12-66.MIDDLE CASTER Ass'y

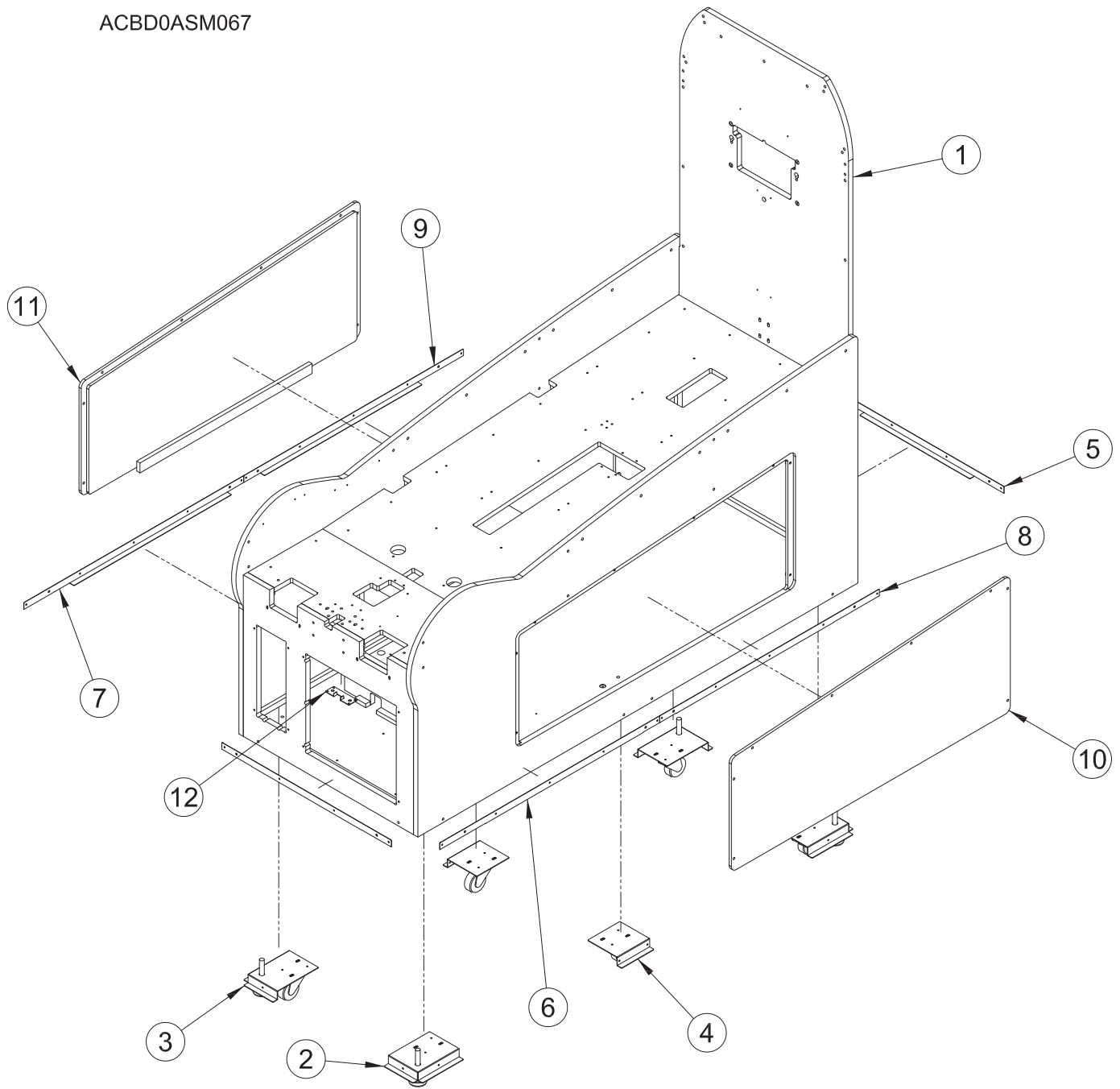
ACBD0ASM066



NO.	PART NO.	QUANTITY	PART NAME	SPEC.
1	MCBD0WOO016	1	MIDDLE CASTER BKT	SPCC-2.0t
2	MZZZ0CAS010	1	CASTER	3021-W-BR (3inch)

12-67.WOOD METAL CABINET Ass'y

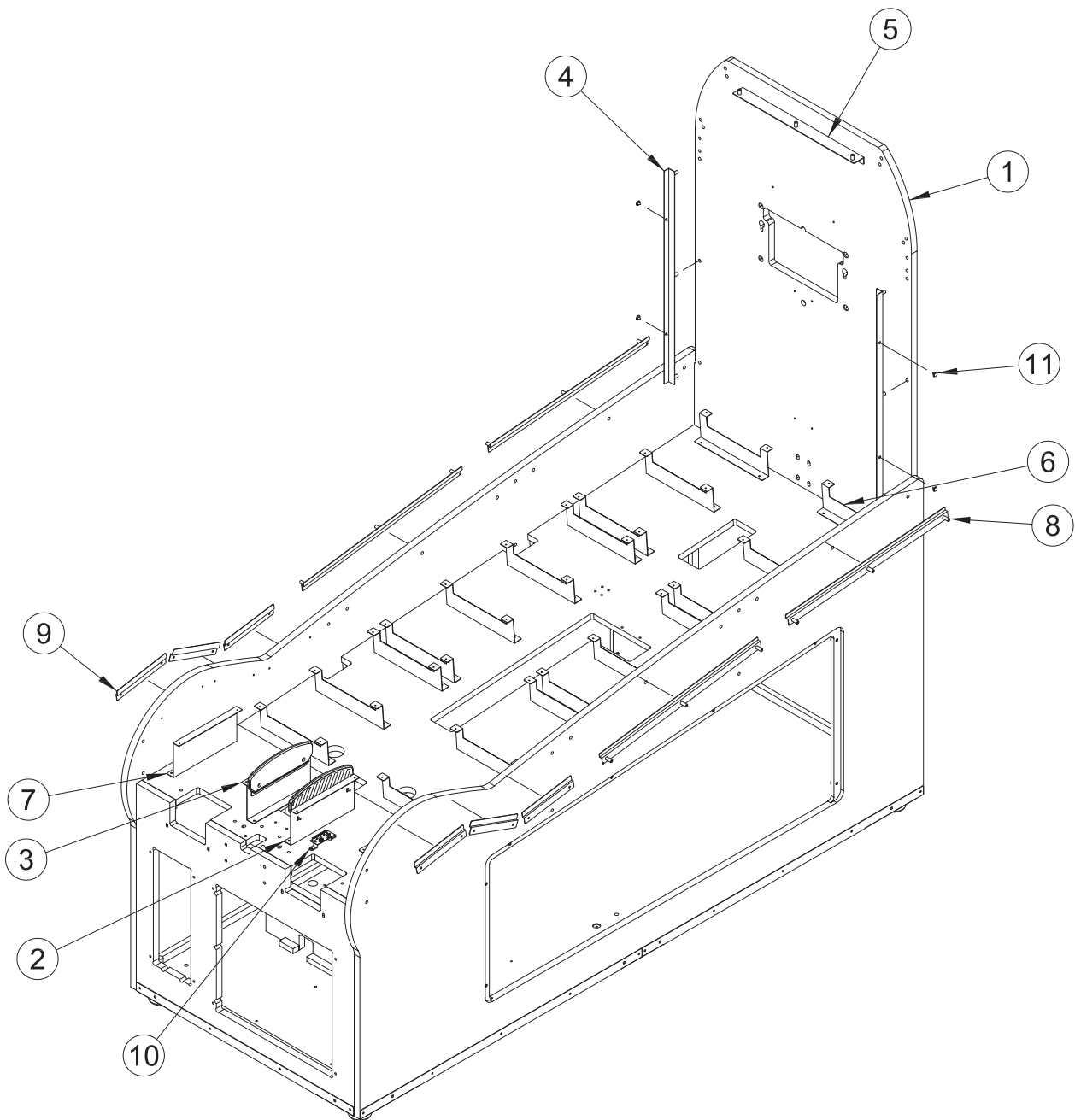
ACBD0ASM067



NO.	Code Number	QUANTITY	PART NAME	SPEC.
1	MCBD0WOO001	1	WOOD CABINET Ass'y	ASSEMBLE (조립품)
2	ACBD0ASM064	2	CASTER Ass'y	12-64 (61 page)
3	ACBD0ASM065	2	CASTER Ass'y_mir	12-65 (62 page)
4	ACBD0ASM066	2	MIDDLE CASTER Ass'y	12-66 (62 page)
5	MCBD0WOO009	2	LOWER FRONT BENDING	SPCC-1.2t
6	MCBD0WOO010	1	LOWER SIDE FRONT BENDING-R	SPCC-1.2t
7	MCBD0WOO011	1	LOWER SIDE FRONT BENDING-L	SPCC-1.2t
8	MCBD0WOO012	1	LOWER SIDE REAR BENDING-R	SPCC-1.2t
9	MCBD0WOO013	1	LOWER SIDE REAR BENDING-L	SPCC-1.2t
10	MCBD0WOO002	1	MAIN CABINET SIDE DOOR-R	MDF-20.0t
11	MCBD0WOO003	1	MAIN CABINET SIDE DOOR-L	MDF-20.0t
12	MCBD0WOO020	1	FRONT MIDDLE PANEL T-NUT SUPPORT BKT	GI-1.6t

12-68-1.ASSEMBLING POWER ROLL ALL FIX Ass'y

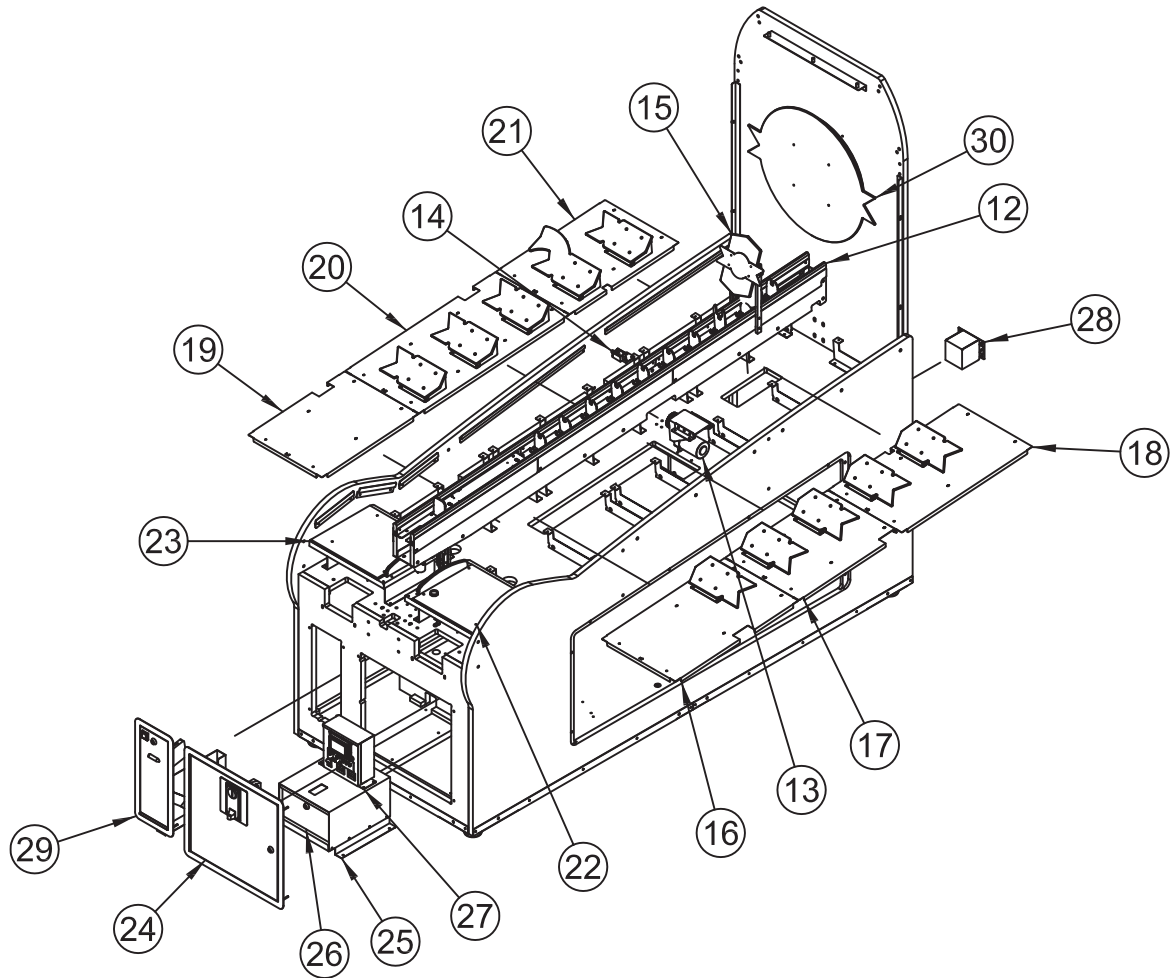
ACBD0ASM091



NO.	Code Number	QUANTITY	PART NAME	SPEC.
1	ACBD0ASM067	1	WOOD METAL CABINET Ass'y	12-67 (63 page)
2	ACBD0ASM053	1	TICKET OWED SIDE DECO Ass'y-R	12-53 (55 page)
3	ACBD0ASM054	1	TICKET OWED SIDE DECO Ass'y-L	12-54 (55 page)
4	MCBD0MET048	2	MAIN FRAME SIDE COVER ACRYL FIXED BKT-D	SPCC-1.2t
5	MCBD0MET044	1	FRONT FRAME TOP PANEL FIXED BKT-B	SPCC-1.6t
6	MCBD0MET083	19	SCORE FND COVER FIXED BKT	GI-1.2t
7	MCBD0MET096	2	TICKET OWED COVER FIXED BKT-B	GI-1.2t
8	MCBD0MET065	4	SIDE ACRYL COVER GUIDE BKT-A	SPCC-1.2t
9	MCBD0MET066	6	SIDE ACRYL COVER GUIDE BKT-B	SPCC-1.2t
10	ACBD0BOA003	1	LED LINK BOARD	KMIO-1809-181A
11	MZZZ0RUB003	4	Φ6 SHOCK ABSORBER	6Φ

12-68-2.ASSEMBLING POWER ROLL ALL FIX Ass'y

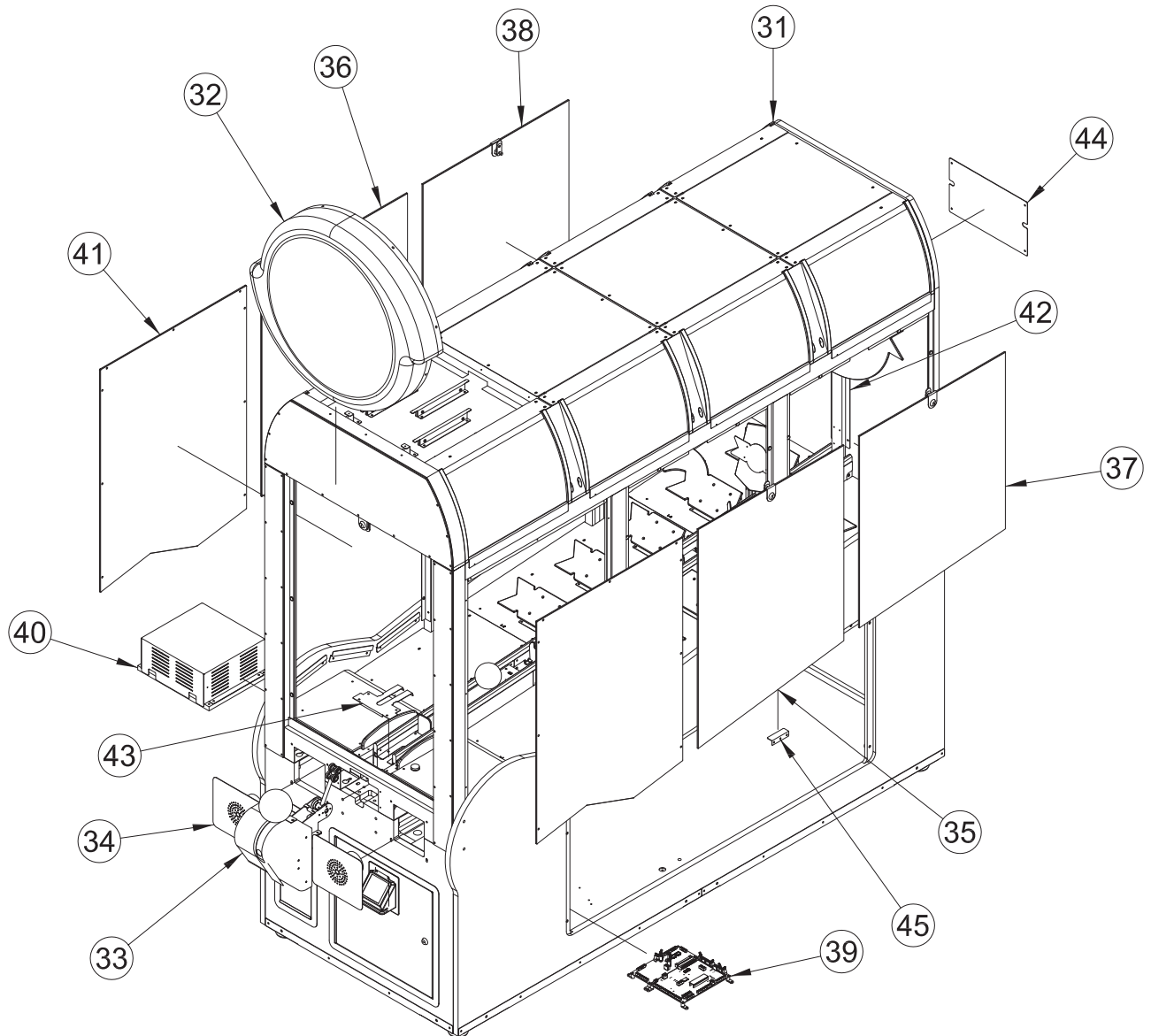
ACBD0ASM091



NO.	PART NO.	QUANTITY	PART NAME	SPEC.
12	ACBD0ASM071	1	BALL RAIL Ass'y (NEW)	12-17 (32 page)
13	ACBD0ASM016	1	BALL RAIL MOTOR Ass'y	12-16 (31 page)
14	ACBD0ASM018	1	SOLENOID Ass'y	12-18 (33 page)
15	ACBD0ASM076	1	BIG WIN ZONE DECO Ass'y (NEW)	12-22 (35 page)
16	ACBD0ASM077	1	SCORE FND BASE BKT-R1 Ass'y	12-23 (36 page)
17	ACBD0ASM078	1	SCORE FND BASE BKT-R2 Ass'y (NEW)	12-24 (36 page)
18	ACBD0ASM079	1	SCORE FND BASE BKT-R3 Ass'y (NEW)	12-25 (37 page)
19	MCBD0MET079	1	SCORE FND BASE BKT-L1	SPCC-1.2t
20	ACBD0ASM080	1	SCORE FND BASE BKT-L2 Ass'y (NEW)	12-26 (37 page)
21	ACBD0ASM081	1	SCORE FND BASE BKT-L3 Ass'y (NEW)	12-27 (38 page)
22	ACBD0ASM082	1	CREDIT FND COVER Ass'y (NEW)	12-29 (39 page)
23	ACBD0ASM030	1	HOW TO PLAY COVER Ass'y	12-30 (39 page)
24	ACBD0ASM031	1	FRONT DOOR Ass'y	12-31 (40 page)
25	ACBD0ASM032	1	CASH BOX BODY Ass'y	12-32 (41 page)
26	ACBD0ASM033	1	CASH BOX Ass'y	12-33 (41 page)
27	ACBD0ASM034	1	AC POWER SWITCH Ass'y	12-34 (42 page)
28	ACBD0ASM035	1	NOISE FILTER Ass'y	12-35 (42 page)
29	ACBD0ASM036	1	TICKET BOX Ass'y	12-36 (43 page)
30	ACBD0ASM083	1	BIG WIN ZONE Ass'y (NEW)	12-37 (44 page)

12-68-3.ASSEMBLING POWER ROLL ALL FIX Ass'y

ACBD0ASM091



NO.	PART NO.	QUANTITY	PART NAME	SPEC.
31	ACBD0ASM086	1	MAIN FRAME Ass'y (NEW)	12-49 (52 page)
32	ACBD0ASM088	1	TOP BILLBOARD Ass'y (NEW)	12-52 (54 page)
33	ACBD0ASM089	1	PUSHER Ass'y (NEW)	12-56 (57 page)
34	ACBD0ASM028	2	SPEAKER BOX Ass'y	12-28 (38 page)
35	ACBD0ASM057	1	SIDE FRONT GLASS Ass'y-R	12-57 (58 page)
36	ACBD0ASM058	1	SIDE FRONT GLASS Ass'y-L	12-58 (58 page)
37	ACBD0ASM059	1	SIDE REAR GLASS Ass'y-R	12-59 (59 page)
38	ACBD0ASM060	1	SIDE REAR GLASS Ass'y-L	12-60 (59 page)
39	ACBD0ASM090	1	MAIN BOARD Ass'y	12-61 (60 page)
40	ACBD0ASM062	1	POWER SMPS Ass'y	12-62 (60 page)
41	MCBD0ACR004	2	SIDE COVER ACRYL	CLEAR PC-4.5t (투명PC아크릴)
42	MCBD0MET086	1	BIG WIN ZONE HARNESS COVER BKT	SPCC-1.2t
43	MCBD0MET093	1	BALL RAIL COVER BKT	SPCC-1.2t
44	MCBD0MET094	1	YOUR TICKET OWED BOX COVER BKT	SPCC-1.2t
45	MCBD0MET147	2	SIDE FRAME SUPPORT BKT	GI-1.6t

POWER ROLL



2019. 11. 14

POWER ROLL
















IMAGE	NAME	QUANTITY	METERIAL	CDDE NO.
	BALL BARRIER ACRYL A	1 EA	ACRYL Silk screen	MCBDOA&S005
	BALL BARRIER ACRYL B	8 EA	ACRYL Silk screen	MCBDOA&S006
	BALL BARRIER ACRYL C	1 EA	ACRYL Silk screen	MCBDOA&S007
	BIG WIN ZONE DECO ACRYL	1 EA	ACRYL Silk screen	MCBDOA&S008
	TICKET OWED SIDE DECO ACRYL L	1 EA	ACRYL Silk screen	MCBDOA&S010
	TICKET OWED SIDE DECO ACRYL R	1 EA	ACRYL Silk screen	MCBDOA&S009
	BONUS FND COVER ACRYL	1 EA	ACRYL Silk screen	MCBDOA&S016
	FRONT LED COVER ACRYL	2 EA	ACRYL Silk screen	MCBDOA&S015
	SCORE FND COVER ACRYL BIG WIN	1 EA	ACRYL Silk screen	MCBDOA&S020
	SCORE FND COVER ACRYL L	4 EA	ACRYL Silk screen	MCBDOA&S013
	SCORE FND COVER ACRYL R	5 EA	ACRYL Silk screen	MCBDOA&S012
	BIG WIN ZONE COVER ACRYL	1 EA	ACRYL Silk screen	MCBDOA&S017
	CREDIT FND COVER ACRYL	1 EA	ACRYL Silk screen	MCBDOA&S019
	BACKGROUND SHEET	1 EA	SHEET Silk screen	MPOROSHE001
	BIG WIN ZONE DECO SHEET	1 EA	SHEET Silk screen	MPOROSHE002











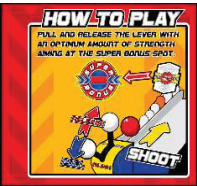



IMAGE	NAME	QUANTITY	METERIAL	CDDE NO.
	PUSHER COVER BKT CASE SHEET	1 EA	SHEET Silk screen	MPOROSHE003
	PUSHER COVER SIDE SHEET L	1 EA	SHEET Silk screen	MPOROSHE004
	PUSHER COVER SIDE SHEET R	1 EA	SHEET Silk screen	MPOROSHE005
	SPEAKER ROUND COVER SHEET L	1 EA	SHEET Silk screen	MPOROSHE006
	SPEAKER ROUND COVER SHEET R	1 EA	SHEET Silk screen	MPOROSHE007
	FRONT SPEAKER SIDE SHEET L	1 EA	SHEET Silk screen	MPOROSHE008
	FRONT SPEAKER SIDE SHEET R	1 EA	SHEET Silk screen	MPOROSHE009
	FRONT DOOR SHEET	1 EA	SHEET Silk screen	MPOROSHE010
	FRONT DOOR SMALL SHEET	1 EA	SHEET Silk screen	MPOROSHE011
	TICKET DOOR SHEET	1 EA	SHEET Silk screen	MPOROSHE012
	HOW TO PLAY SHEET	1 EA	SHEET Silk screen	MPOROSHE013
	BALL STOPPER COVER BKT A SHEET	1 EA	SHEET Silk screen	MPOROSHE014
	BALL STOPPER COVER BKT C SHEET	1 EA	SHEET Silk screen	MPOROSHE015
	SIDE TOP FRAME SUPPORT BKT SHEET	6 EA	SHEET Silk screen	MPOROSHE016










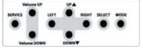







	IMAGE	NAME	QUANTITY	METERIAL	CDDE NO.
30		SCORE FND BASE BKT L1 SHEET	1 EA	SHEET Silk screen	MPOROSHE017
31		SCORE FND BASE BKT L2 SHEET	1 EA	SHEET Silk screen	MPOROSHE018
32		SCORE FND BASE BKT L3 SHEET	1 EA	SHEET Silk screen	MPOROSHE019
33		SCORE FND BASE BKT R1 SHEET	1 EA	SHEET Silk screen	MPOROSHE020
34		SCORE FND BASE BKT R2 SHEET	1 EA	SHEET Silk screen	MPOROSHE021
35		SCORE FND BASE BKT R3 SHEET	1 EA	SHEET Silk screen	MPOROSHE022
36		SIDE PANEL L1 SHEET	1 EA	SHEET Silk screen	MPOROSHE023
37		SIDE PANEL L2 SHEET	1 EA	SHEET Silk screen	MPOROSHE024
38		SIDE PANEL L3 SHEET	1 EA	SHEET Silk screen	MPOROSHE025
39		SIDE PANEL R1 SHEET	1 EA	SHEET Silk screen	MPOROSHE026
40		SIDE PANEL R2 SHEET	1 EA	SHEET Silk screen	MPOROSHE027
41		SIDE PANEL R3 SHEET	1 EA	SHEET Silk screen	MPOROSHE028
42		SIDE DOOR SHEET L	1 EA	SHEET Silk screen	MPOROSHE030
43		SIDE DOOR SHEET R	1 EA	SHEET Silk screen	MPOROSHE031

IMAGE		NAME	QUANTITY	METERIAL	CDDE NO.
44		FRAME INNER COVER UPPER SHEET	4 EA	SHEET Silk screen	MCBDOSHE039
45		FRAME INNER COVER VERTICAL L1	1 EA	SHEET Silk screen	MCBDOSHE040
46		FRAME INNER COVER VERTICAL L2	1 EA	SHEET Silk screen	MCBDOSHE041
47		FRAME INNER COVER VERTICAL R1	1 EA	SHEET Silk screen	MCBDOSHE042
48		FRAME INNER COVER VERTICAL R2	1 EA	SHEET Silk screen	MCBDOSHE043
49		SEGA LOGO SMALL SHEET	2 EA	SHEET Silk screen	MMAROSHE013
50		SETUP CONTROL PANEL SHEET	1 EA	SHEET Silk screen	MKOMOSSH001
51		WARNING HIGH VOLTAGE SHEET	2 EA	SHEET Silk screen	MKOMOSSH003
52		WARNING SERVICE MAN SHEET	2 EA	SHEET Silk screen	MKOMOSSH004
53		CAUTION IF 440 SHEET	1 EA	SHEET Silk screen	MKOMOSSH007
54		FORK POSITION SHEET	4 EA	SHEET Silk screen	MKOMOSSH029
55		WARNING MIND YOUR HANDS SHEET	1 EA	SHEET Silk screen	MKOMOSSH020
56		BALL DAMPER BKT SHEET	1 EA	SHEET Silk screen	MCBDOSHE044
57		FRAME INNER COVER UPPER SMALL SHEET	2 EA	SHEET Silk screen	MPOROSHE033