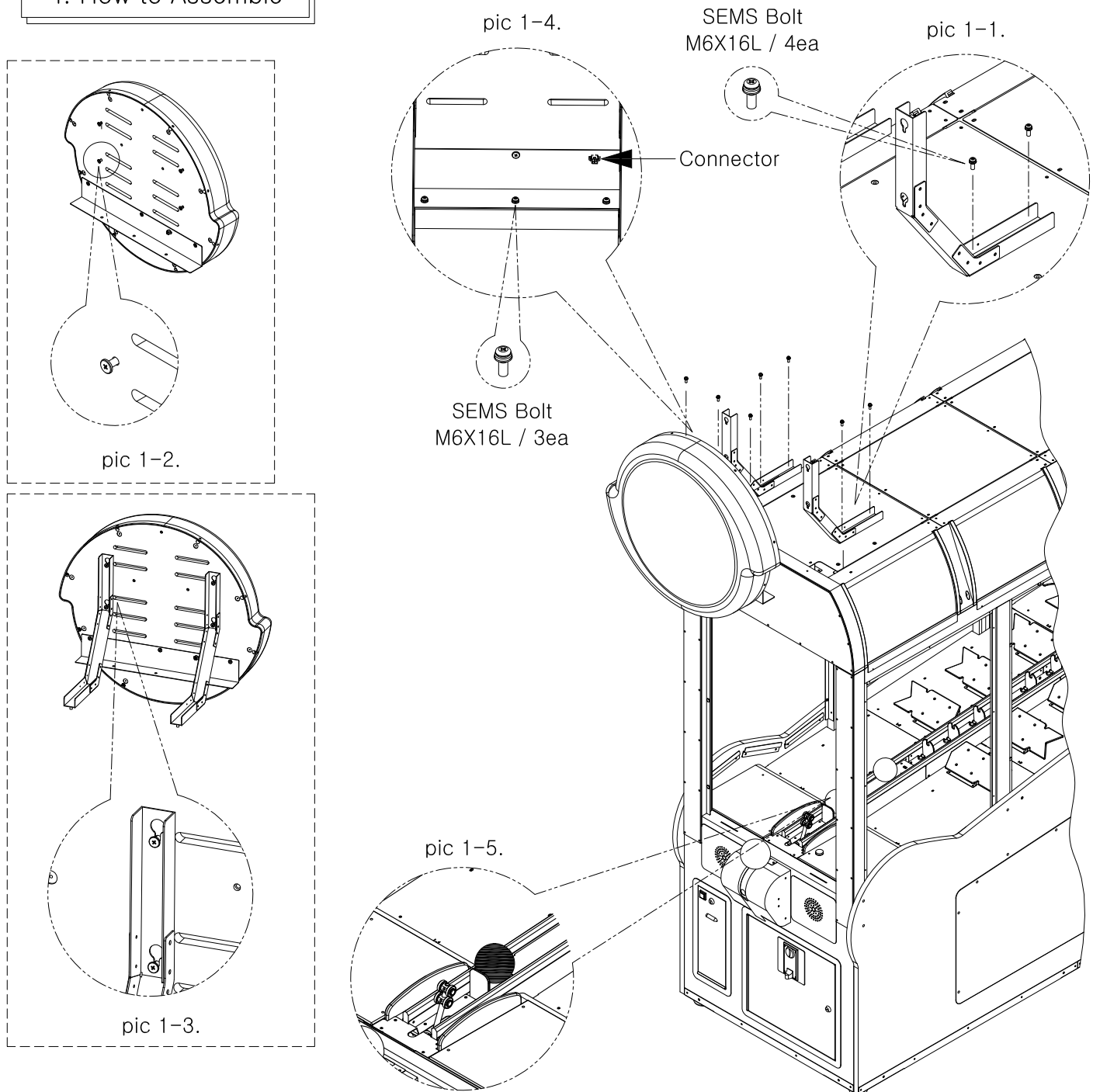


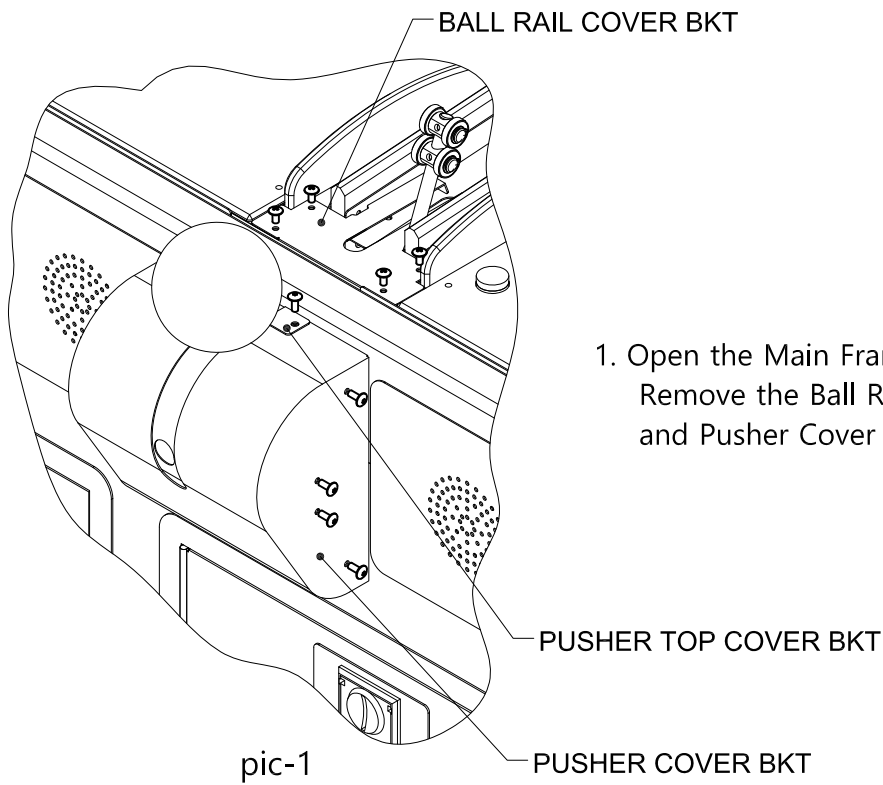
4. How to Assemble



1. Open the front glass door.
2. As shown in pic1-1, install Top Billboard Fixed BKT WELD Ass'y(NEW) using SEMS Bolt M6X16L(4EA).
3. As shown in pic1-2, slightly loosen the TH Bolt[Flat] M6x20L about 10mm that are fixed on the back of the Top Billboard Vacuum Ass'y.
4. As shown in pic1-3, mount the Top Billboard Vacuum Ass'y to the Top Billboard Fixed BKT Ass'y, and then tighten the TH Bolt[Flat] M6X20L again.
5. As shown in pic1-4, fix the Top Billboard Vacuum Ass'y with the SEMS M6X16L (3EA).
6. As shown in pic1-4, attach the connector from the rear of the Top Billboard Vacuum Ass'y.
7. As shown in pic 1-5. prepare a ball and then put the ball on the ball launcher.
DO NOT turn on the power before putting the ball on the sensor of the launcher.
An error occurs if a ball is missing or incorrectly loaded.

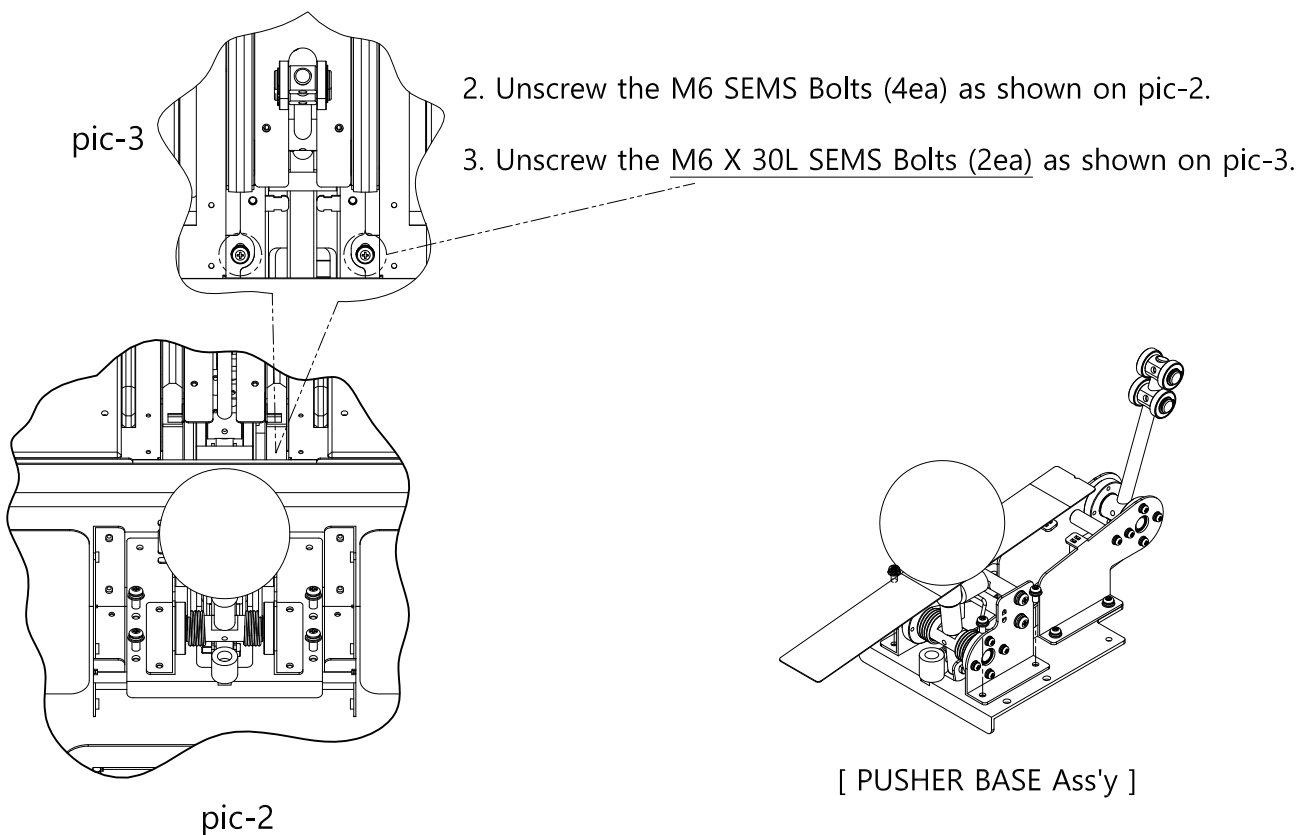
-How to replace the Pusher Spring.

Step1.



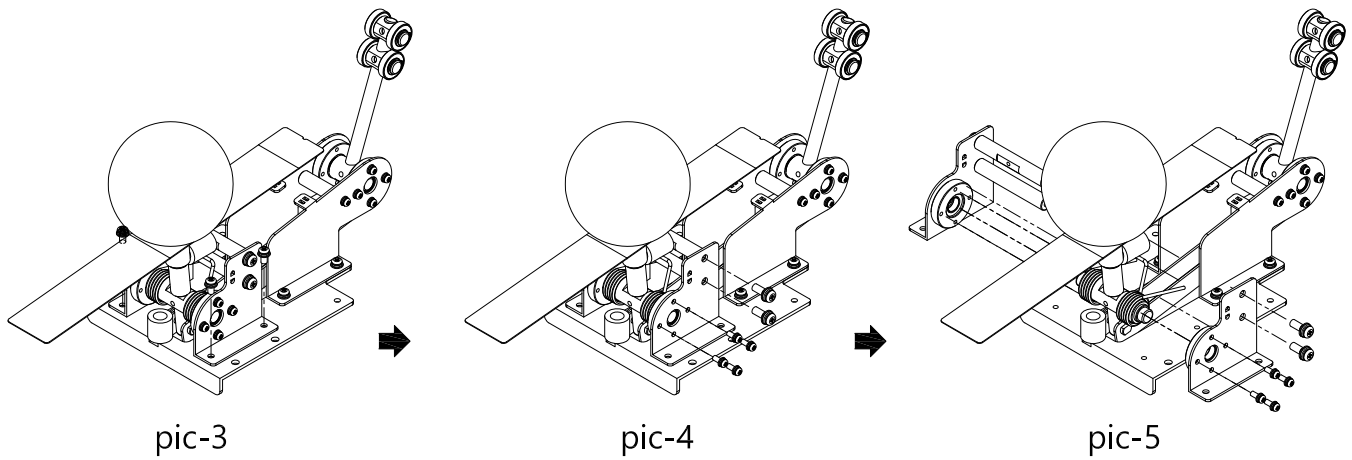
1. Open the Main Frame Front Glass Ass'y.
Remove the Ball Rail Cover BKT, Push Top Cover Bkt, and Pusher Cover BKT in this order. (Refer to pic-1)

Step2.



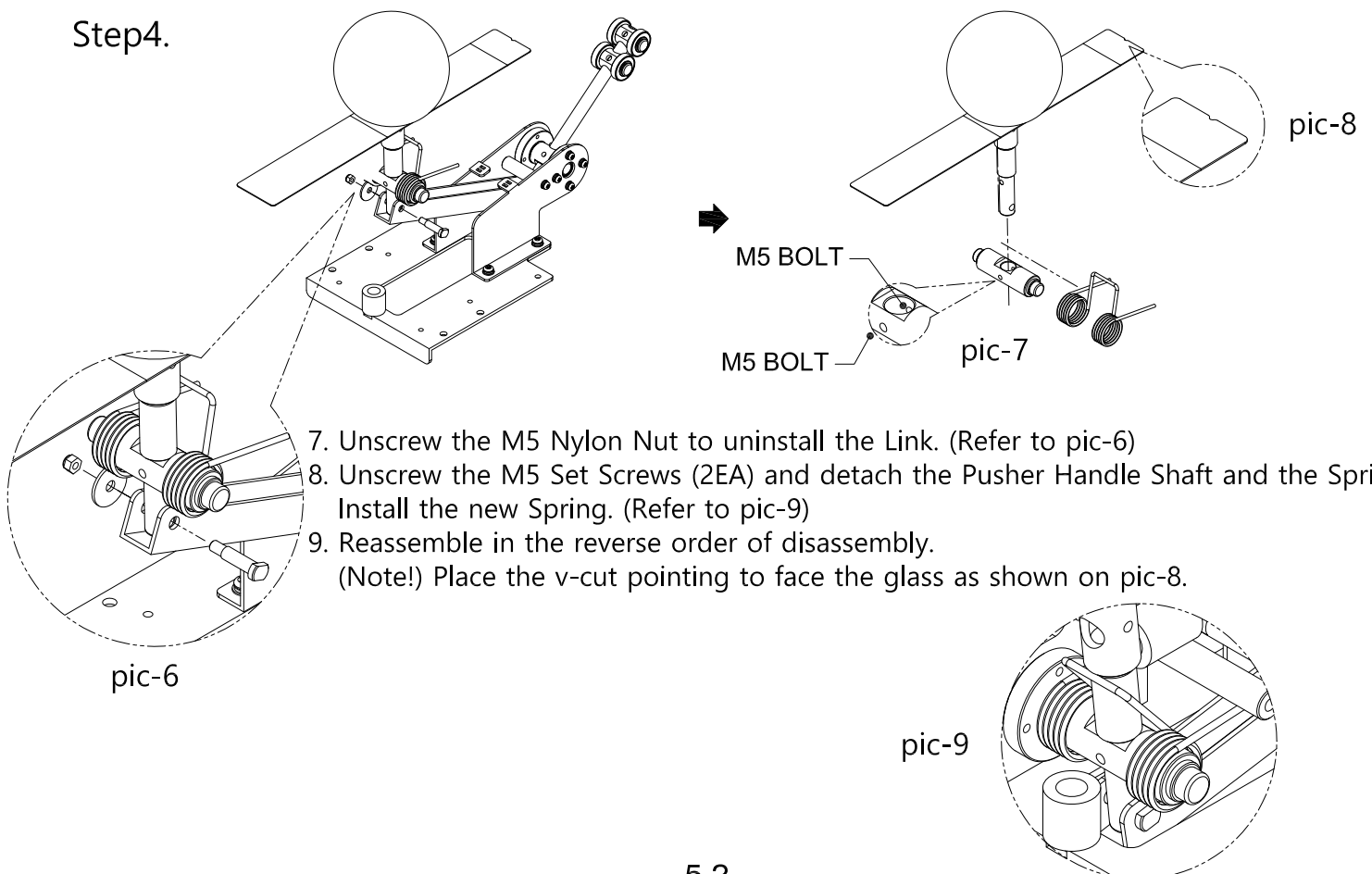
2. Unscrew the M6 SEMS Bolts (4ea) as shown on pic-2.
3. Unscrew the M6 X 30L SEMS Bolts (2ea) as shown on pic-3.

Step3.



4. Unscrew the M5 SEMS Bolts (4EA) as shown on pic-3.
5. Unscrew the M5 SEMS bolts (4EA) and M6 SEMS bolts (2EA) as shown on pic-4.
6. The Push Housing Fixed BKT-L, R will be detached. (Refer to pic-5)

Step4.



7. Unscrew the M5 Nylon Nut to uninstall the Link. (Refer to pic-6)
8. Unscrew the M5 Set Screws (2EA) and detach the Pusher Handle Shaft and the Spring. Install the new Spring. (Refer to pic-9)
9. Reassemble in the reverse order of disassembly.
(Note!) Place the v-cut pointing to face the glass as shown on pic-8.