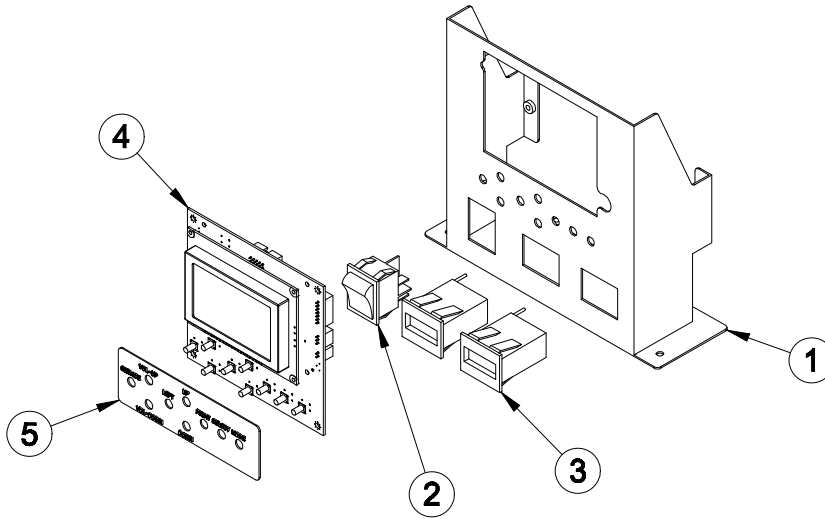


11. ASSEMBLING PIXEL CHASE

11-1.AC POWER SWITCH Ass'y

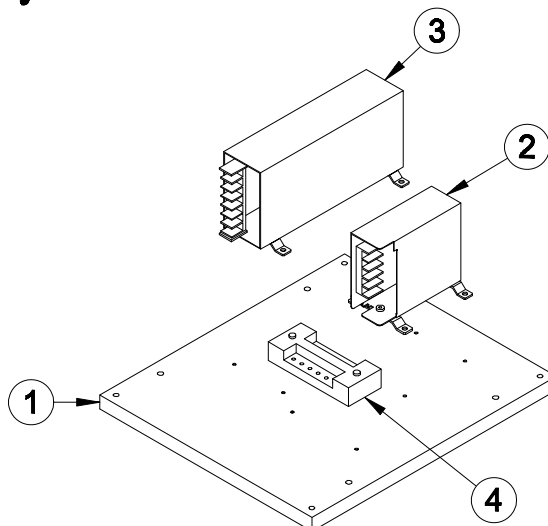
APIX0ASM001



NO.	Code Number	QUANTITY	PART NAME	SPEC.
1	MPIX0MET013	1	AC POWER SWITCH BRACKET	SPCC-1.2t
2	MELE0SWI004	1	ROCKER SWITCH	T-125 4P
3	MZZZ0COU002	2	COUNTER	AMMC-712(OA127CL)
4	AMAR0BOA016	1	SETUP LCD BOARD Ass'y	KMLCD-1606-116A SETUP+MELE0LCB001 LCD
5	MMAROSHE001	1	SETUP PCB SHEET	SHEET

11-2. POWER SMPS Ass'y

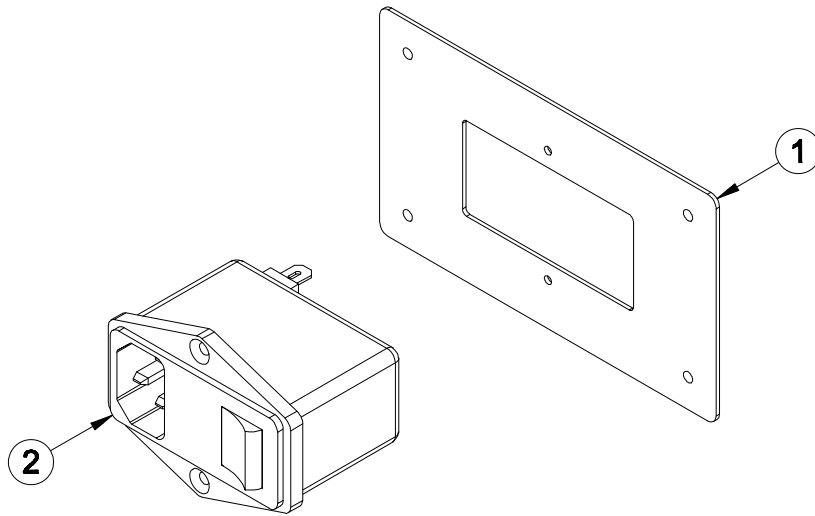
APIX0ASM034



NO.	Code Number	QUANTITY	PART NAME	SPEC.
1	MPIX0WOO018	1	SMPS PLATE	PW-15.0t
2	MELE0SMP035	1	POWER-SMPS(ORIENT) JSF75-05	110~240V/5V12A
3	MELE0SMP031	1	POWER-SMPS(ORIENT) JSF150-12	110~240V/12V-12.5A
4	MELE0TEB001	1	TERMINAL BLOCK (6P)	6P UL

11-3. NOISE FILTER Ass'y

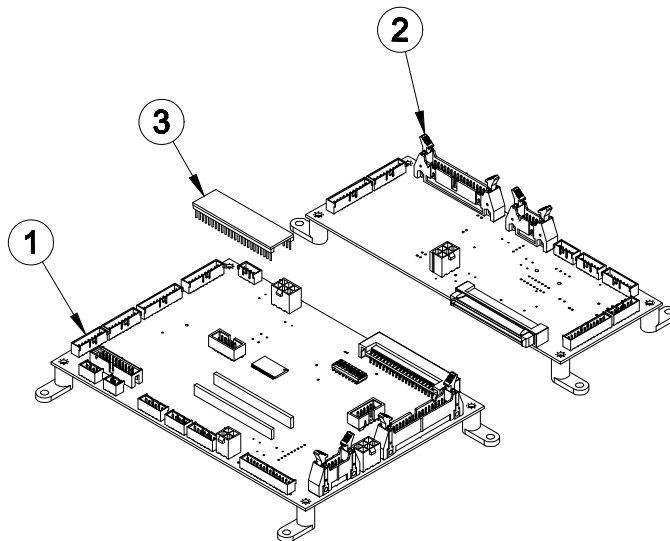
APIX0ASM030



NO.	Code Number	QUANTITY	PART NAME	SPEC.
1	MPIX0MET018	1	AC INPUT BRACKET	SPCC-1.2t
2	MELE0NOI002	1	NOISE FILTER	IP-0642-H2

11-4. PIXEL MAIN BOARD Ass'y

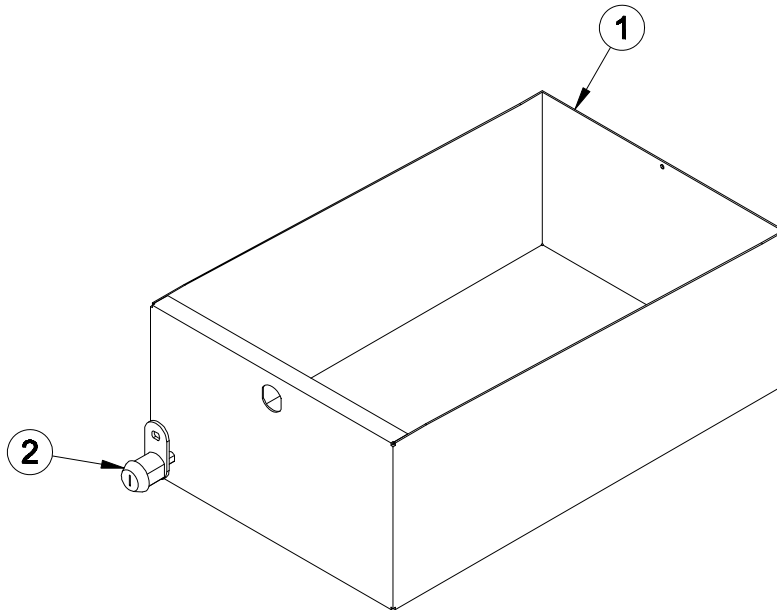
APIX0ASM032



NO.	Code Number	QUANTITY	PART NAME	SPEC.
1	APIX0BOA011	1	PIXEL CHASE MAIN BOARD	KMMA-1606-104C
2	APIX0BOA013	1	PIXEL CHASE IO BOARD	KMIO-1803-170A
3	APIX0BOA012	1	PIXEL SOUND-IC64 BOARD	KMMM100808A

11-5. CASH BOX Ass'y

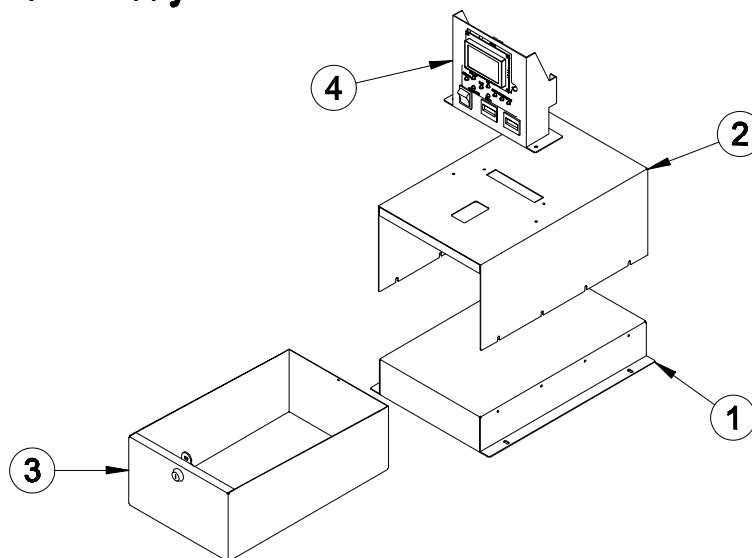
APIX0ASM014



NO.	Code Number	QUANTITY	PART NAME	SPEC.
1	MPIX0MET012	1	CASH BOX	SPCC-1.2t
2	MZZZ0KEY013	1	key ass'y(6001)	6001

11-6. CASH BOX BODY Ass'y

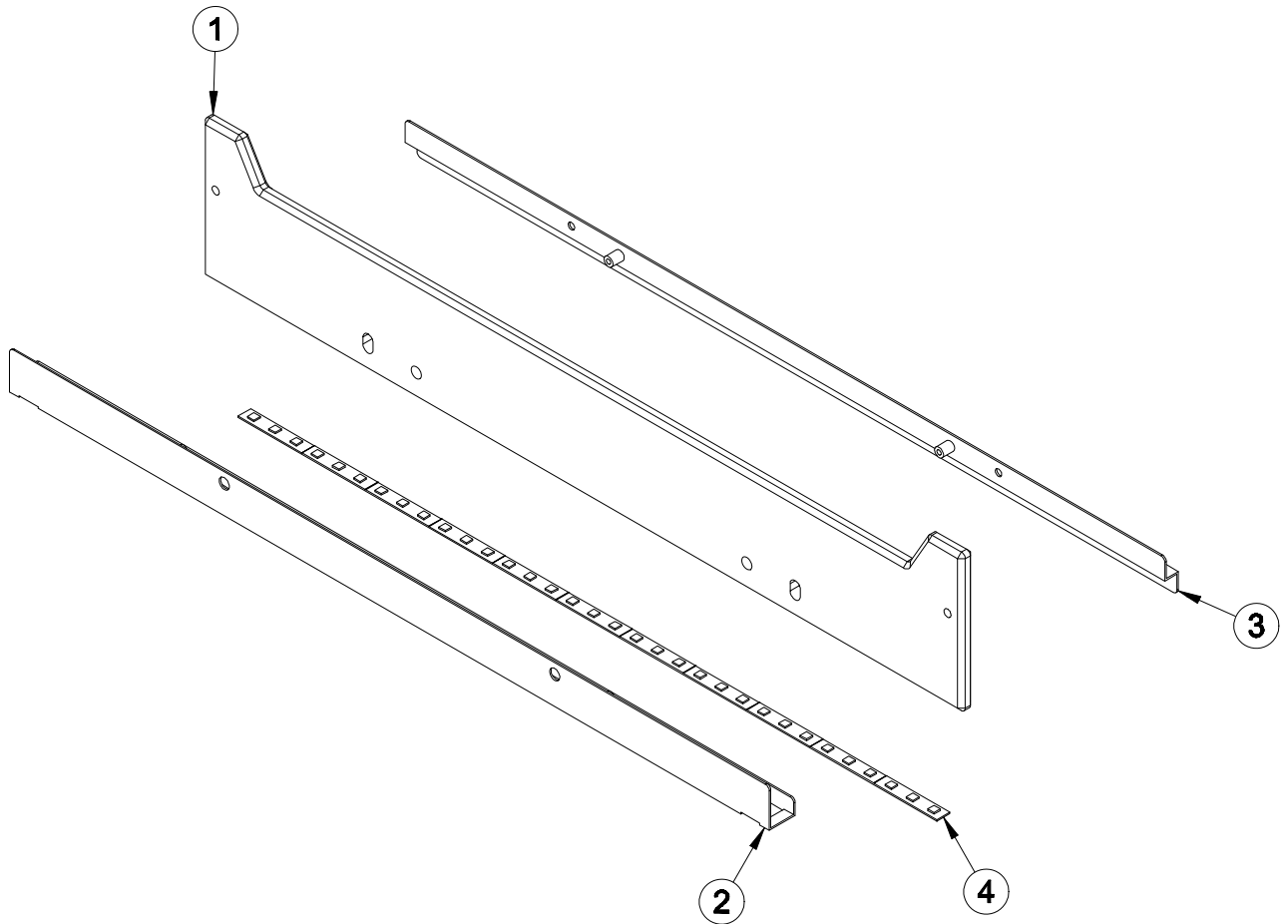
APIX0ASM015



NO.	Code Number	QUANTITY	PART NAME	SPEC.
1	MPIX0MET010	1	CASH BOX BODY BOTTOM	SPCC-1.2t
2	MPIX0MET011	1	CASH BOX BODY COVER WELD Ass'y	WELD Ass'y (용접물)
3	APIX0ASM014	1	CASH BOX Ass'y	11-5. (24page)
4	APIX0ASM001	1	AC POWER SWITCH Ass'y	11-1. (22page)

11-7. FRONT TITLE ACRYL Ass'y

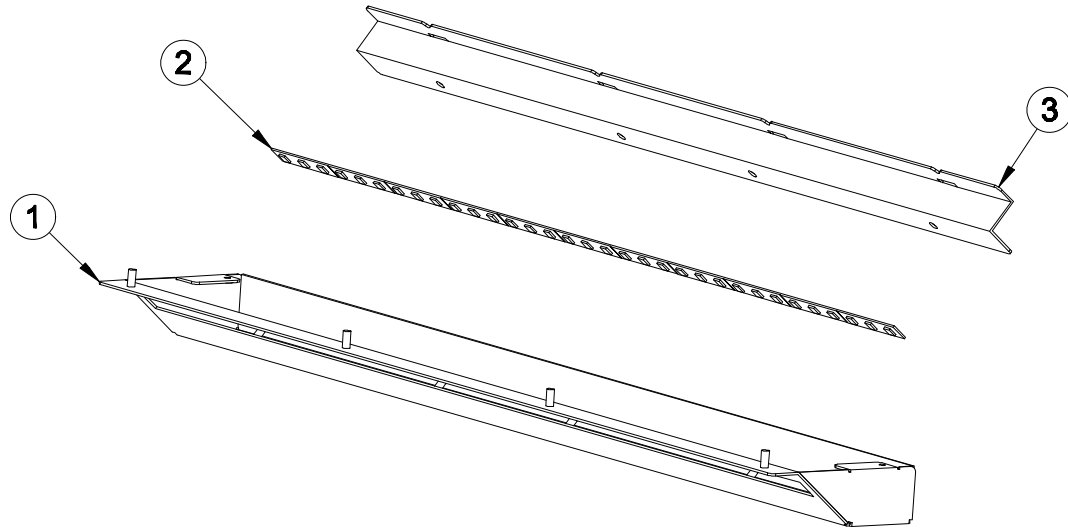
APIX0ASM023



NO.	Code Number	QUANTITY	PART NAME	SPEC.
1	MPIX0A&S002	1	FRONT TITLE ACRYL	CLEAR ACRYL - 10.0t (투명아크릴)
2	MPIX0MET016	1	TITLE ACRYL FIX BRKT	SPCC-1.2t
3	MPIX0MET017	1	TITLE LED BACK SUPPORT BRKT	SPCC-1.2t
4	APIX0FLM003	1	FRONT TITLE FLEXIBLE	550-1/3-50L-32LED (R.G.B)

11-8. SCORE BOX BOTTOM LED Ass'y

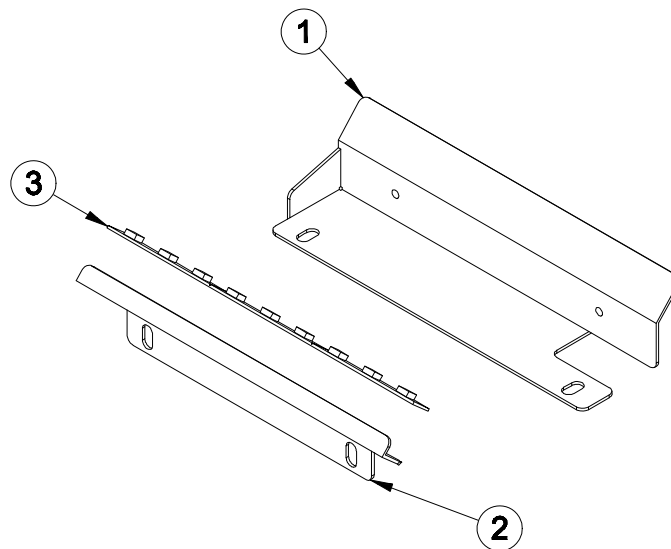
APIX0ASM038



NO.	Code Number	QUANTITY	PART NAME	SPEC.
1	MPIX0MET020	1	SCORE BOX BOTTOM LED BASE BRKT	SPCC-1.2t
2	APIX0FLM001	1	BALL FOCUS FLEXIBLE	550-1/3-50L-32LED (PINK)
3	MPIX0MET021	1	SCORE BOX FLEXIBLE LED FIX BRKT	SPCC-1.2t

11-9. SCORE PART FLEXIBLE Ass'y (RED)

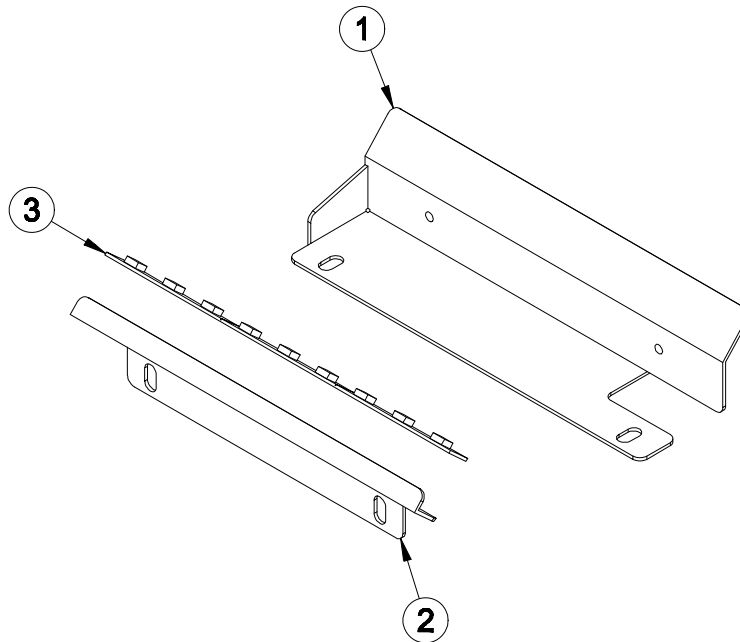
APIX0ASM051



NO.	Code Number	QUANTITY	PART NAME	SPEC.
1	MPIX0MET037	1	SCORE PART FLEXIBLE BACK BASE BRKT	SPCC-1.2t
2	MPIX0MET038	1	SCORE PART FLEXIBLE BRKT	SPCC-1.2t
3	APIX0FLM004	1	SCORE PART LIGHT FLEXIBLE	150-1/3-50L-9LED (RED)

11-10. SCORE PART FLEXIBLE Ass'y (BLUE)

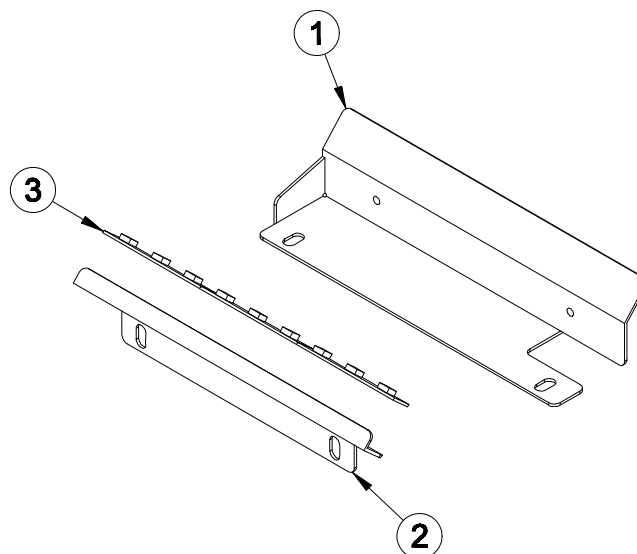
APIX0ASM049



NO.	Code Number	QUANTITY	PART NAME	SPEC.
1	MPIX0MET037	1	SCORE PART FLEXIBLE BACK BASE BRKT	SPCC-1.2t
2	MPIX0MET038	1	SCORE PART FLEXIBLE BRKT	SPCC-1.2t
3	APIX0FLM005	1	SCORE PART LIGHT FLEXIBLE	150-1/3-50L-9LED (BLUE)

11-11. SCORE PART FLEXIBLE Ass'y (GREEN)

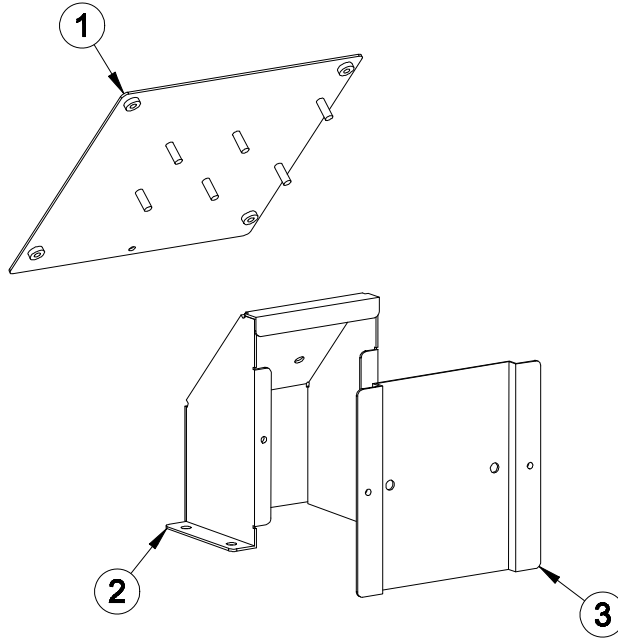
APIX0ASM050



NO.	Code Number	QUANTITY	PART NAME	SPEC.
1	MPIX0MET037	1	SCORE PART FLEXIBLE BACK BASE BRKT	SPCC-1.2t
2	MPIX0MET038	1	SCORE PART FLEXIBLE BRKT	SPCC-1.2t
3	APIX0FLM006	1	SCORE PART LIGHT FLEXIBLE	150-1/3-50L-9LED (GREEN)

11-12. SCORE PART LIGHT Ass'y

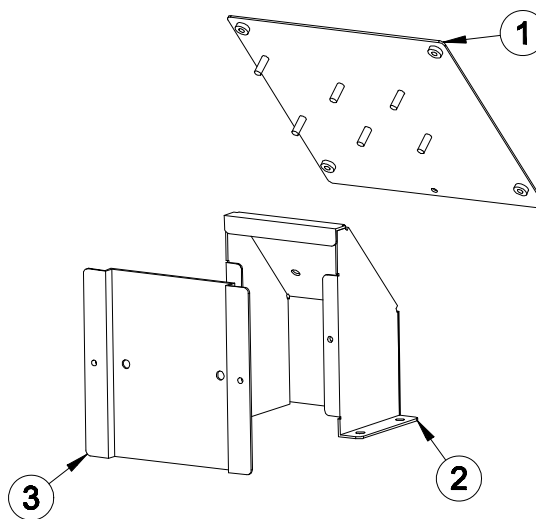
APIX0ASM041



NO.	Code Number	QUANTITY	PART NAME	SPEC.
1	MPIX0MET027	1	SCORE PART LIGHT ACRYL BACK BRKT	SPCC-1.2t
2	MPIX0MET030	1	SCORE PART LIGHT ACRYL FIX BRKT	SPCC-1.2t
3	MPIX0MET031	1	SCORE PART LIGHT FIX BACK COVER BRKT	SPCC-1.2t

11-13. SCORE PART LIGHT Ass'y_mir

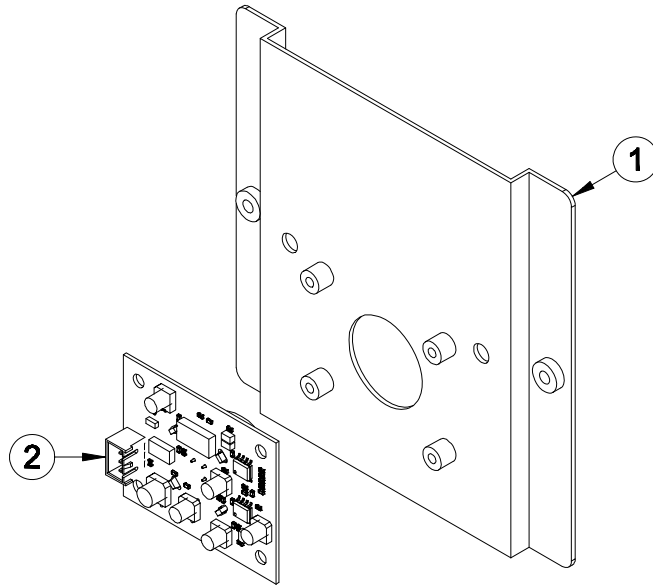
APIX0ASM042



NO.	Code Number	QUANTITY	PART NAME	SPEC.
1	MPIX0MET028	1	SCORE PART LIGHT ACRYL BACK BRKT_mir	SPCC-1.2t
2	MPIX0MET030	1	SCORE PART LIGHT ACRYL FIX BRKT	SPCC-1.2t
3	MPIX0MET031	1	SCORE PART LIGHT FIX BACK COVER BRKT	SPCC-1.2t

11-14. PIR SENSOR BASE Ass'y

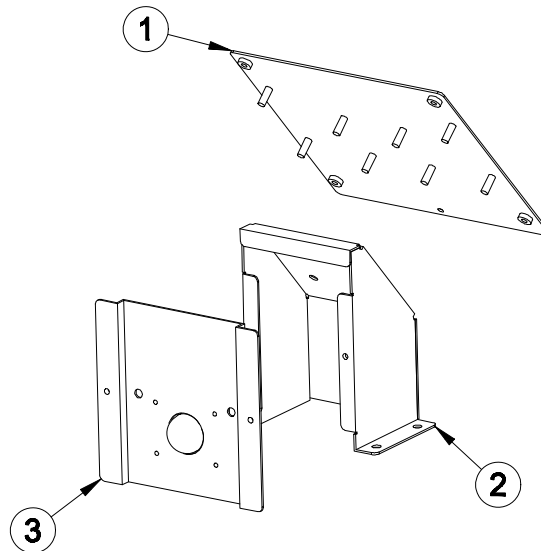
APIX0ASM024



NO.	Code Number	QUANTITY	PART NAME	SPEC.
1	MPIX0MET032	1	SCORE PART LIGHT FIX BACK COVER CENTER	SPCC-1.2t
2	APIX0BOA015	1	PIR SENSOR BOARD	KMSEN-1805-171A

11-15. SCORE PART LIGHT CENTER Ass'y

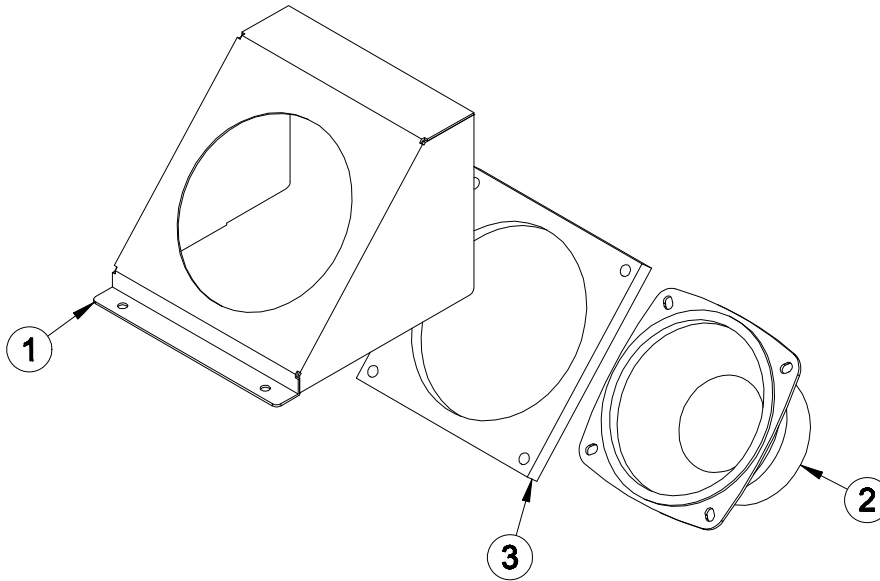
APIX0ASM043



NO.	Code Number	QUANTITY	PART NAME	SPEC.
1	MPIX0MET029	1	SCORE PART LIGHT ACRYL BACK CENTER BRKT	SPCC-1.2t
2	MPIX0MET030	1	SCORE PART LIGHT ACRYL FIX BRKT	SPCC-1.2t
3	APIX0ASM024	1	PIR SENSOR BASE Ass'y	11-14. (29page)

11-16. SPEAKER Ass'y

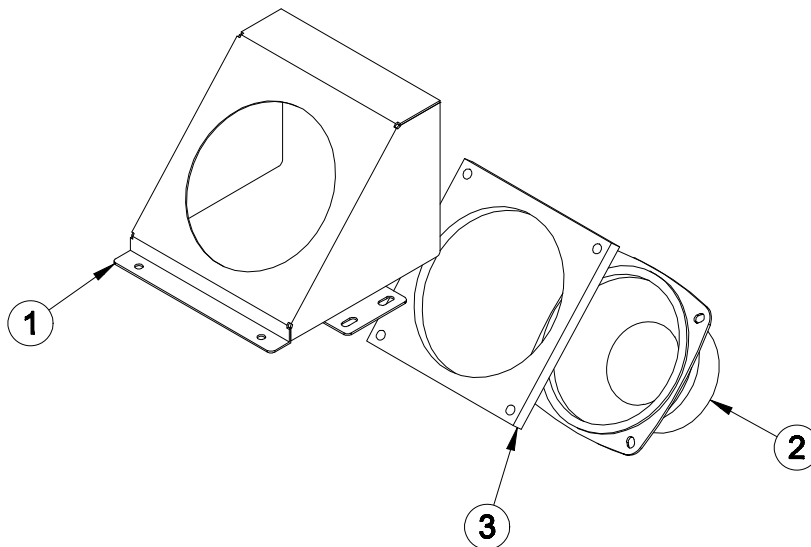
APIX0ASM044



NO.	Code Number	QUANTITY	PART NAME	SPEC.
1	MPIX0MET035	1	SPEAKER BASE BRKT	SPCC-1.2t
2	MZZZ0SPE004	1	speaker[MID4.5]	MID 4.5 8Ω80W
3	MPIX0WOO017	1	SPEAKER WOOD PANEL	PW-9T

11-17. SPEAKER Ass'y_mir

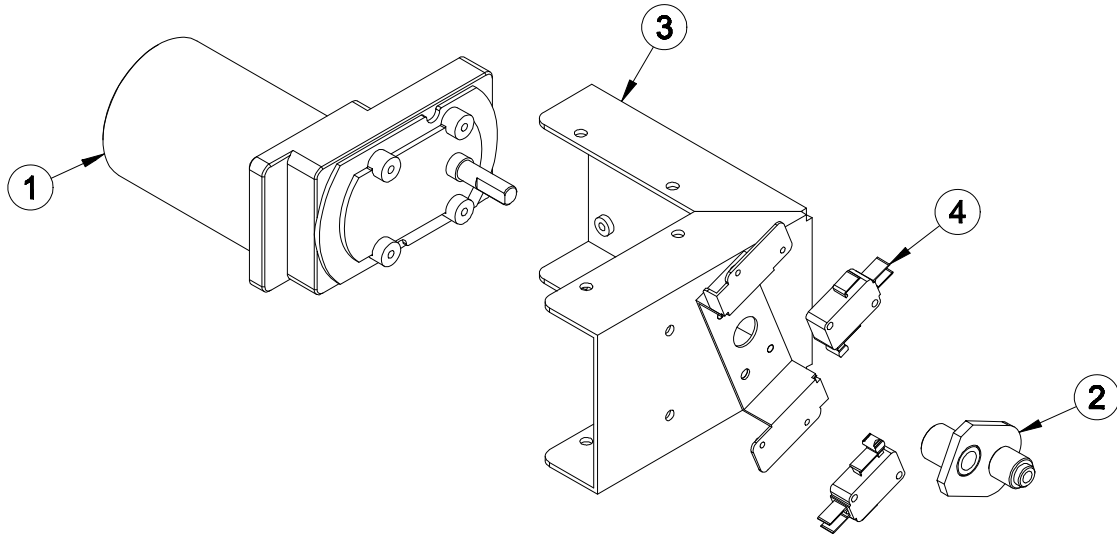
APIX0ASM045



NO.	Code Number	QUANTITY	PART NAME	SPEC.
1	MPIX0MET036	1	SPEAKER BASE BRKT_mir	SPCC-1.2t
2	MZZZ0SPE004	1	speaker[MID4.5]	MID 4.5 8Ω80W
3	MPIX0WOO017	1	SPEAKER WOOD PANEL	PW-9T

11-18. BALL DROP STOP OPERATION Ass'y

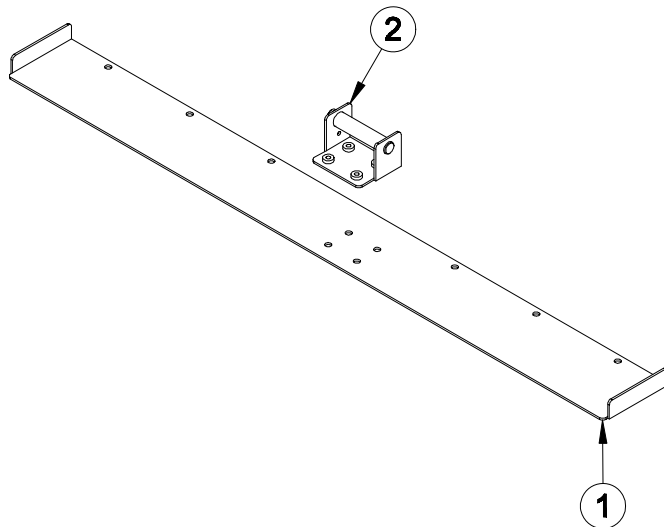
APIX0ASM002



NO.	Code Number	QUANTITY	PART NAME	SPEC.
1	MZZZ0MOT050	1	KGY SERIES MOTOR (200)	K6DG15N1 (1/200, 15RPM)
2	MPIX0PRO001	1	BALL STOPPER OPERATION LINK WELD Ass'y	WELD Ass'y (용접물)
3	MPIX0MET023	1	OPERATION MOTOR SUPPORT WELD Ass'y	WELD Ass'y (용접품)
4	MZZZ0000278	2	MICRO SWITCH (GSM-V1653V2)	GSM-V1653A2 NO TAEP

11-19. BALL STOPPER DOOR Ass'y

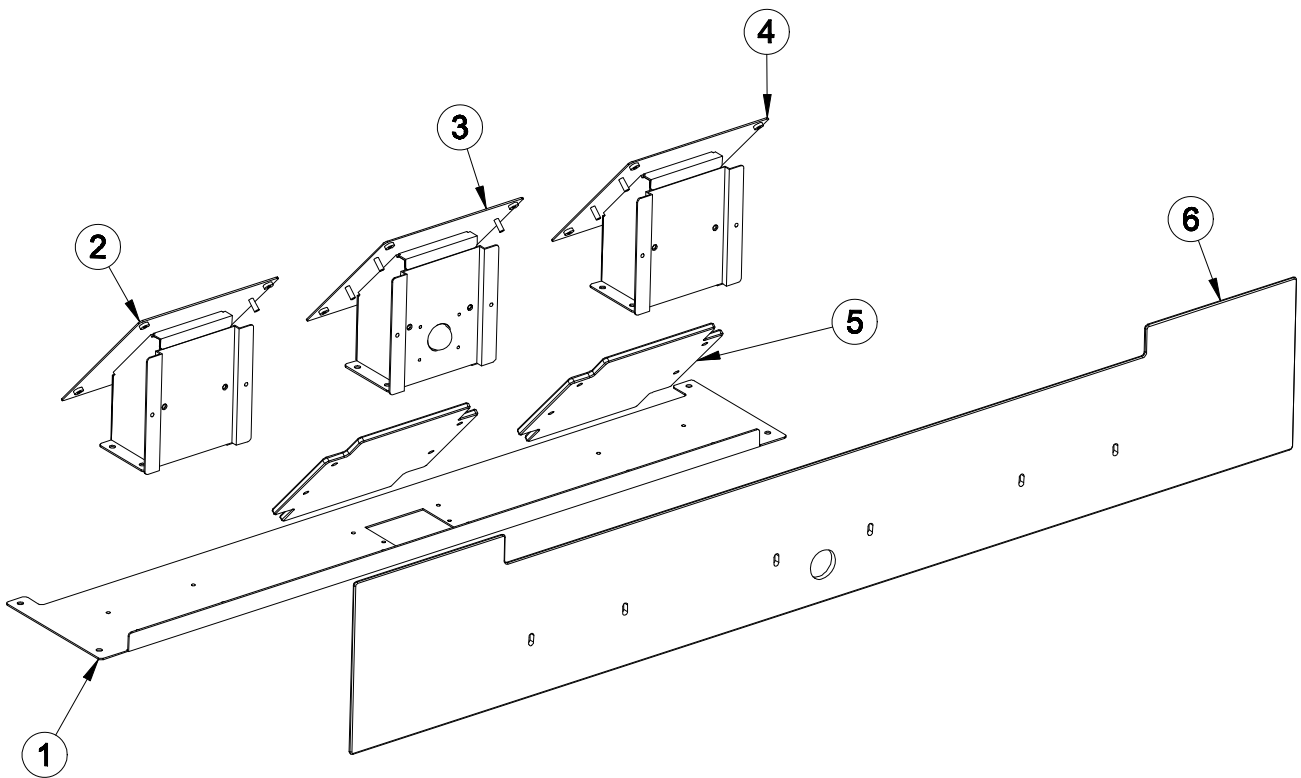
APIX0ASM005



NO.	Code Number	QUANTITY	PART NAME	SPEC.
1	MPIX0MET024	1	BALL STOPPER BRKT	SPCC-1.6t
2	MPIX0MET025	1	BALL STOPPER LINK BRKT B WELD Ass'y	WELD Ass'y (용접물)

11-20.SCORE BOX COVER Ass'y

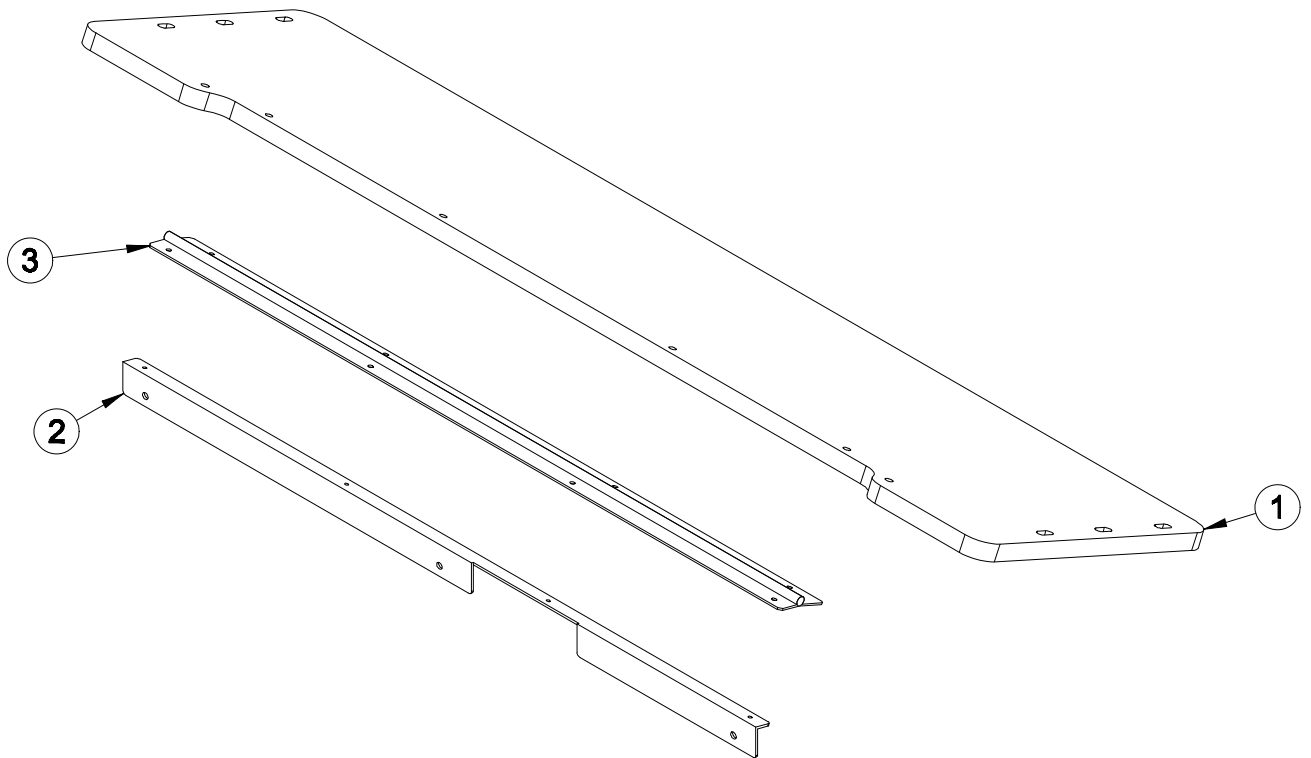
APIX0ASM039



NO.	Code Number	QUANTITY	PART NAME	SPEC.
1	MPIX0MET026	1	SCORE BOX OPERATION COVER BRKT	SPCC-1.2t
2	APIX0ASM041	1	SCORE PART LIGHT Ass'y	11-12. (28page)
3	APIX0ASM043	1	SCORE PART LIGHT CENTER Ass'y	11-15. (29page)
4	APIX0ASM042	1	SCORE PART LIGHT Ass'y_mir	11-13. (28page)
5	MPIX0ACR003	2	SCORE PART INTER ACRYL	CLEAR ACRYL - 5.0t (투명아크릴)
6	MPIX0ACR004	1	BALL OPERATION UPPER STOP PC ACRYL	CLEAR PC-5.0t (투명)

11-21.MIDDLE BALL PROTECT Ass'y

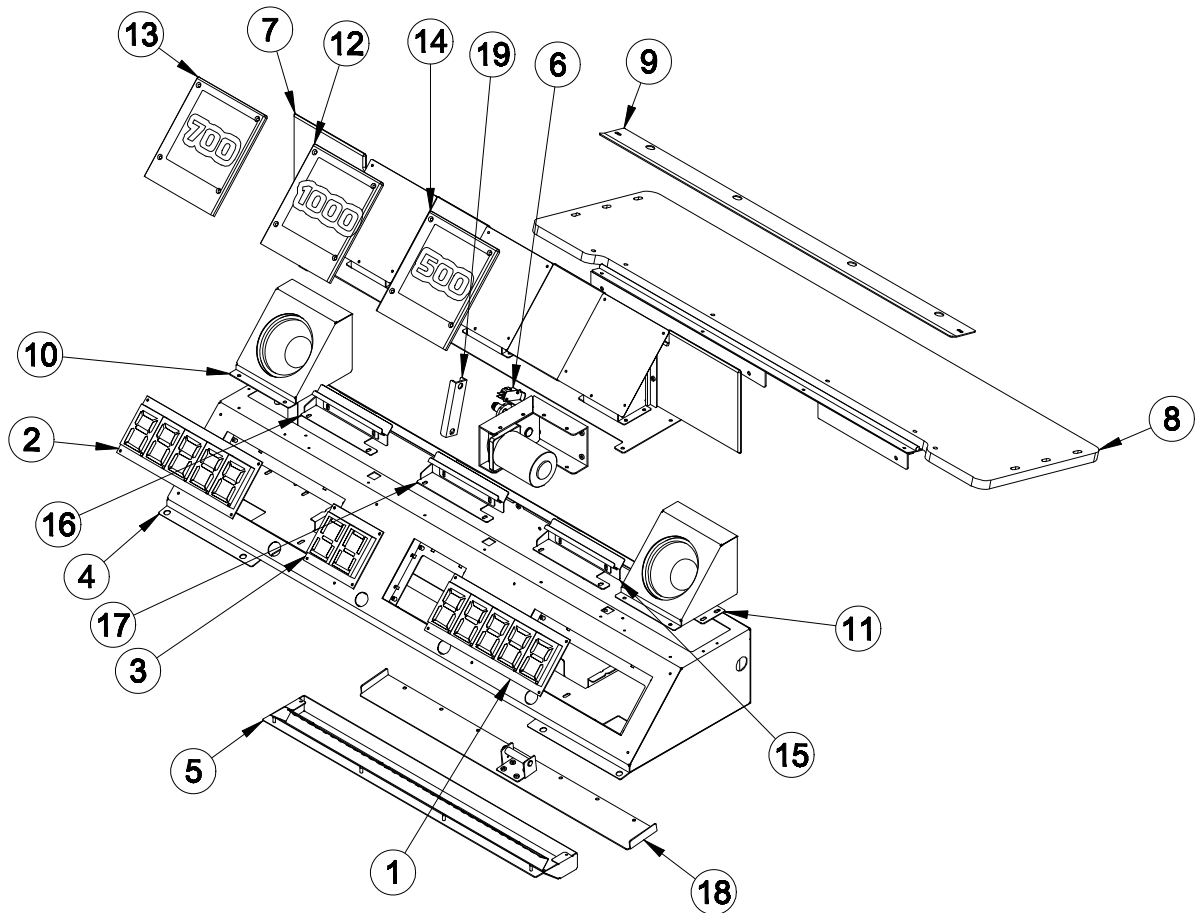
APIX0ASM025



NO.	Code Number	QUANTITY	PART NAME	SPEC.
1	MPIX0WOO002	1	MIDDLE BALL HAND STOP PANEL	PW-15t
2	MPIX0MET033	1	BALL PROTECT PANEL FIX BRKT	SPCC-2t
3	MPIX0MET034	1	BALL PROTECT HINGE Ass'y	SPCC-1.6t

11-22. SCORE FND BOX Ass'y

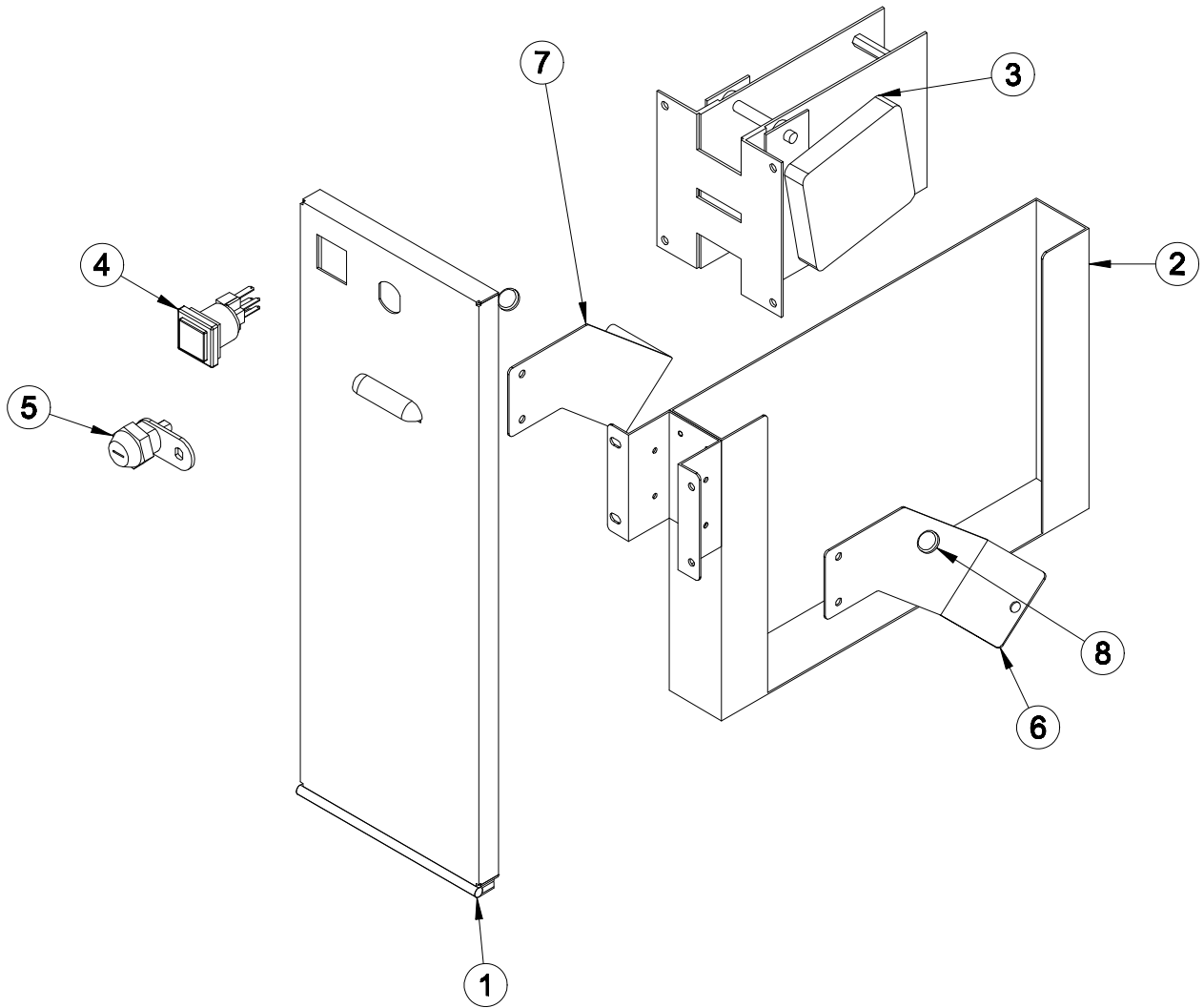
APIX0ASM040



NO.	Code Number	QUANTITY	PART NAME	SPEC.
1	APIX0BOA003	1	HIGH SCORE FND 5P (RED)	KMFND-1707-142A
2	APIX0BOA002	1	HIGH SCORE FND 5P (BLUE)	KMFND-1707-142A
3	APIX0BOA001	1	TIME FND 2P	KMFND-1707-143A
4	MPIX0MET019	1	SCORE FND BOX WELD Ass'y	WELD Ass'y (용접물)
5	APIX0ASM038	1	SCORE BOX BOTTOM LED Ass'y	11-8. (26page)
6	APIX0ASM002	1	BALL DROP STOP OPERATION Ass'y	11-18. (31page)
7	APIX0ASM039	1	SCORE BOX COVER Ass'y	11-20. (32page)
8	APIX0ASM025	1	MIDDLE BALL PROTECT Ass'y	11-21. (33page)
9	MPIX0MET104	1	BALL PROTECT PANEL UPPER BRKT	SPCC-1.6t
10	APIX0ASM044	1	SPEAKER Ass'y	11-16. (30page)
11	APIX0ASM045	1	SPEAKER Ass'y_mir	11-17. (30page)
12	MPIX0ACR007	1	SCORE PART LIGHT ACRYL (1000)	CLEAR ACRYL-10.0t (투명아크릴)
13	MPIX0ACR006	1	SCORE PART LIGHT ACRYL (700)	CLEAR ACRYL-10.0t (투명아크릴)
14	MPIX0ACR005	1	SCORE PART LIGHT ACRYL (500)	CLEAR ACRYL-10.0t (투명아크릴)
15	APIX0ASM049	1	SCORE PART FLEXIBLE Ass'y (BLUE)	11-10. (27page)
16	APIX0ASM050	1	SCORE PART FLEXIBLE Ass'y (GREEN)	11-11. (27page)
17	APIX0ASM051	1	SCORE PART FLEXIBLE Ass'y (RED)	11-9. (26page)
18	APIX0ASM005	1	BALL STOPPER DOOR Ass'y	11-19. (31page)
19	MPIX0MET022	1	BALL STOPPER OPERATION LINK BLOCK BRKT	SPCC-2t

11-23.TICKET BOX Ass'y

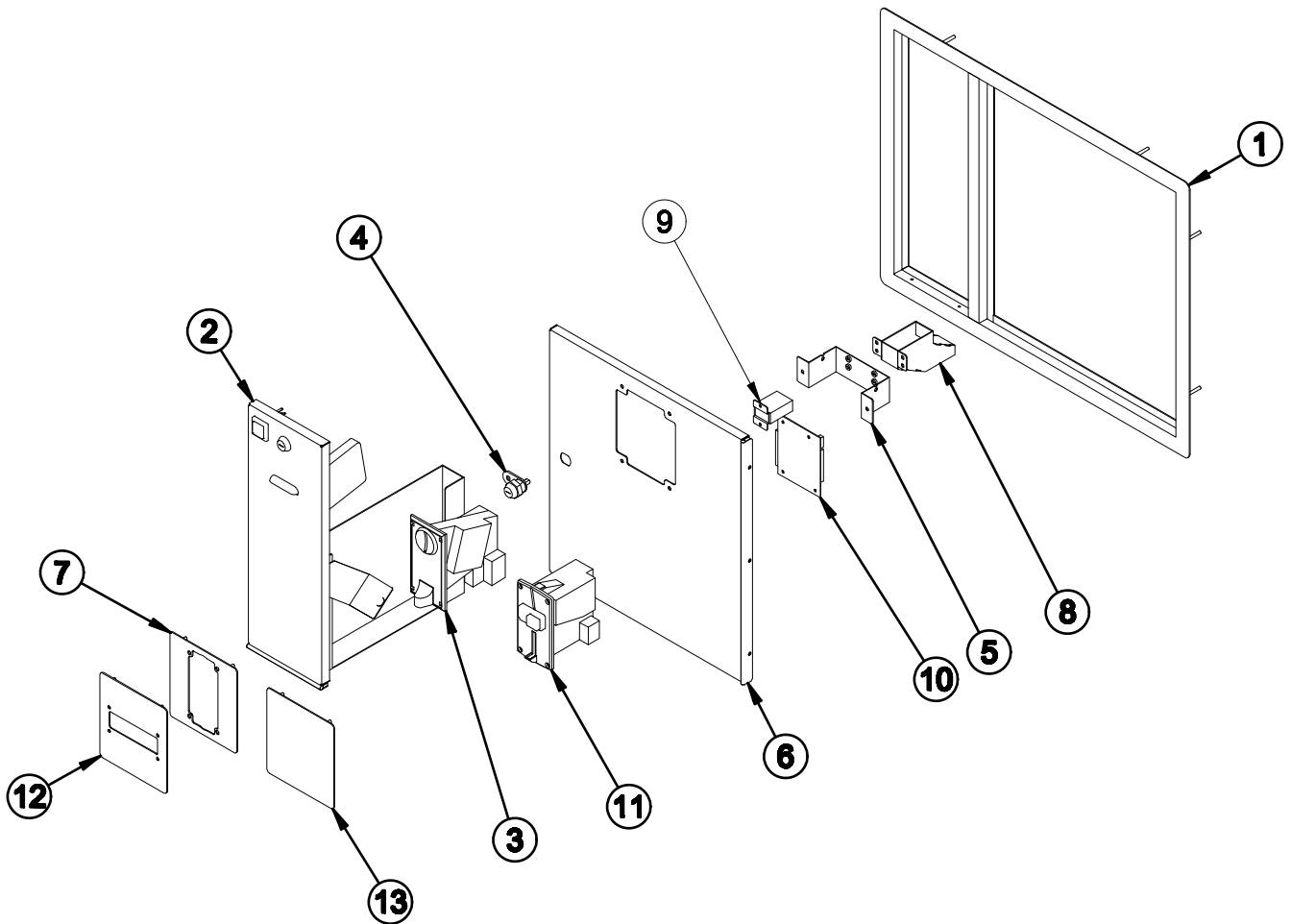
APIX0ASM046



NO.	Code Number	QUANTITY	PART NAME	SPEC.
1	MPIX0MET002	1	TICKET DOOR WELD Ass'y	WELD Ass'y (용접물)
2	MPIX0MET003	1	TICKET BOX WELD Ass'y	WELD Ass'y (용접물)
3	MZZZ0TID003	1	TICKET DISPENSER	CLECO
4	MHA20000007	1	BUTTON ASS'Y(소형)	AM1PB-26SH-R12D
5	MZZZ0KEY032	1	KEY ASS'Y	7001
6	MPIX0MET004	1	TICKET DOOR STOP BAR	SPCC-1.2t
7	MPIX0MET005	1	TICKET DOOR STOP BAR_mir	SPCC-1.2t
8	MZZZ0RUB003	2	SHOCK ABSORBER	6Φ

11-24.FRONT MIDDLE DOOR ASSY

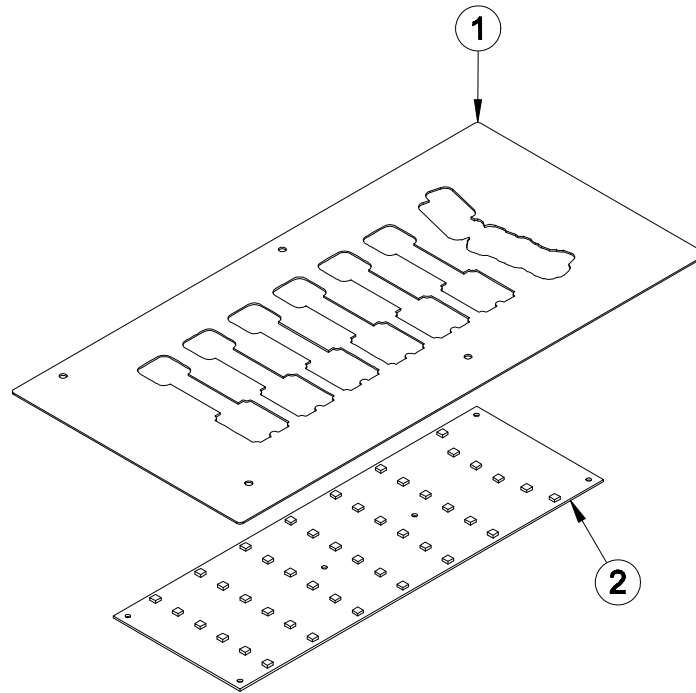
APIX0ASM021



NO.	Code Number	QUANTITY	PART NAME	SPEC.
1	MPIX0MET001	1	FRONT MIDDLE DOOR WELD Ass'y	WELD Ass'y (용접물)
2	APIX0ASM046	1	TICKET BOX Ass'y	11-23. (35page)
3	MZZZ0COS025	1	COIN SELECTOR(TONGLI)	TW-130Q
4	MZZZ0KEY032	1	KEY ASS'Y	7001
5	MPIX0MET006	1	COIN ACCEPT FIX BRKT	SPCC-1.2t
6	MPIX0MET007	1	FRONT OPEN DOOR WELD ASSY	WELD Ass'y (용접물)
7	MPIX0MET008	1	COIN SELECTOR FIXED BKT	SPCC-1.6t
8	MPIX0MET009	1	COIN GUIDE ANGLE WELD Ass'y	WELD Ass'y (용접물)
9	MZZZ0000488	1	COUNTER UK (SR3)	UK OPTION
10	MZZZ0000489	1	EXCEL CREDIT(SR3) PCB	UK OPTION
11	MZZZ0000486	1	SR3 FRONT (UK)	UK OPTION
12	MPIX0MET119	1	CARD SWIFE FIXED BKT	OPTION
13	MPIX0MET120	1	DUBAI COIN DOOR BRKT	DUBAI OPTION

11-25.FRONT SCORE TICKET Ass'y

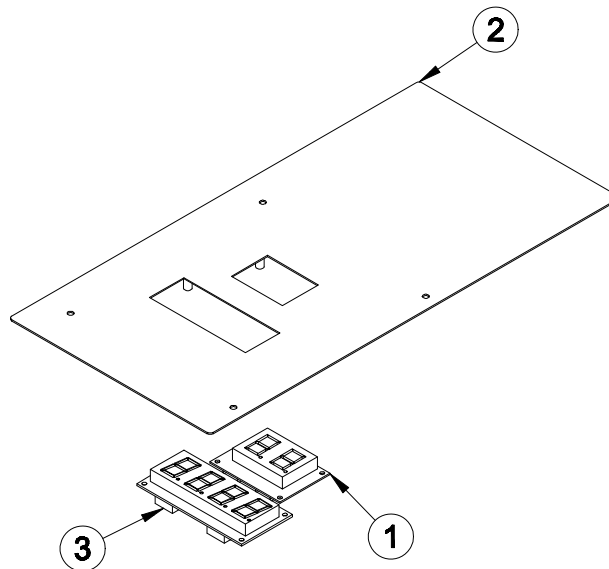
APIX0ASM022



NO.	Code Number	QUANTITY	PART NAME	SPEC.
1	MPIX0MET015	1	FRONT SCORE TICKET FND BRKT	SPCC-1.2t
2	APIX0BOA007	1	SCORE TICKET BOARD	KMFND-1711-154B

11-26. CREDIT FND Ass'y

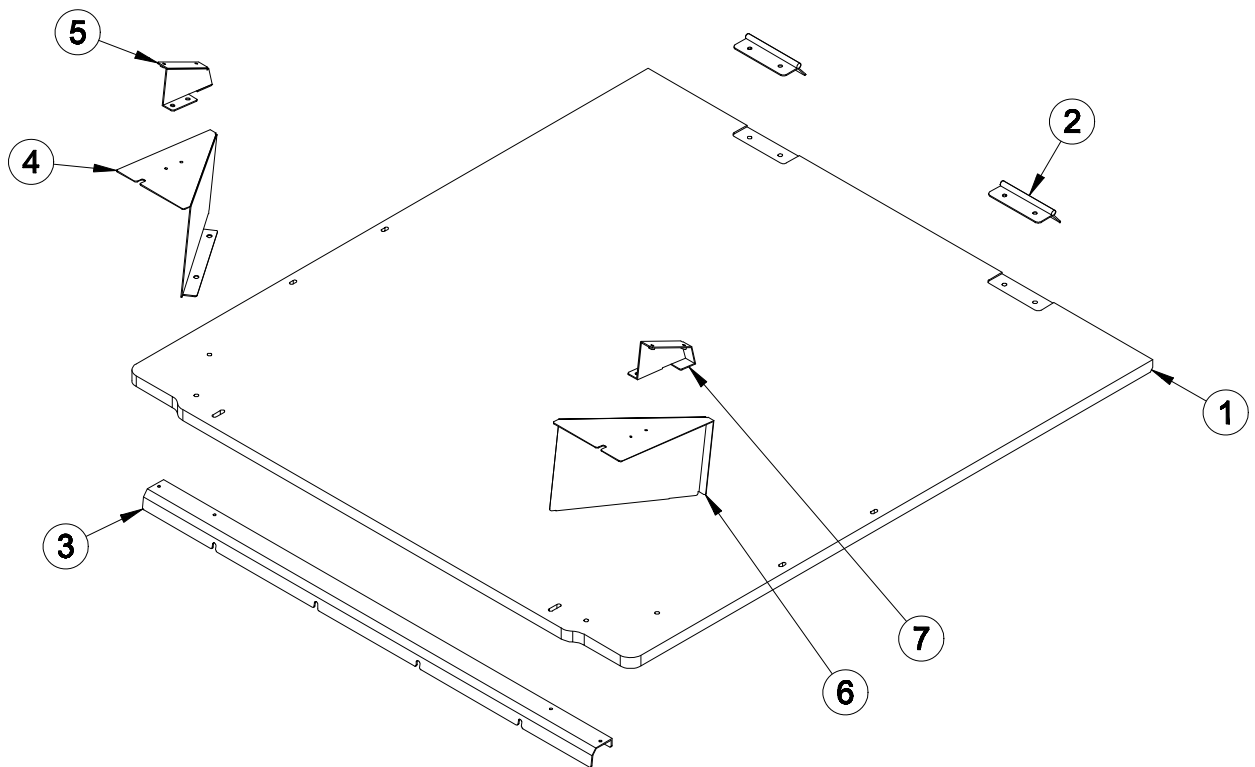
APIX0ASM018



NO.	Code Number	QUANTITY	PART NAME	SPEC.
1	ACOU0PCB010	1	CREDIT FND	KMCF1017-2A
2	MPIX0MET014	1	FRONT CREDIT FND BRKT	SPCC-1.2t
3	ATOD0BOA002	1	TICKET OWED FND4	KMFND-055A

11-27. MIDDLE WOOD PANEL Ass'y

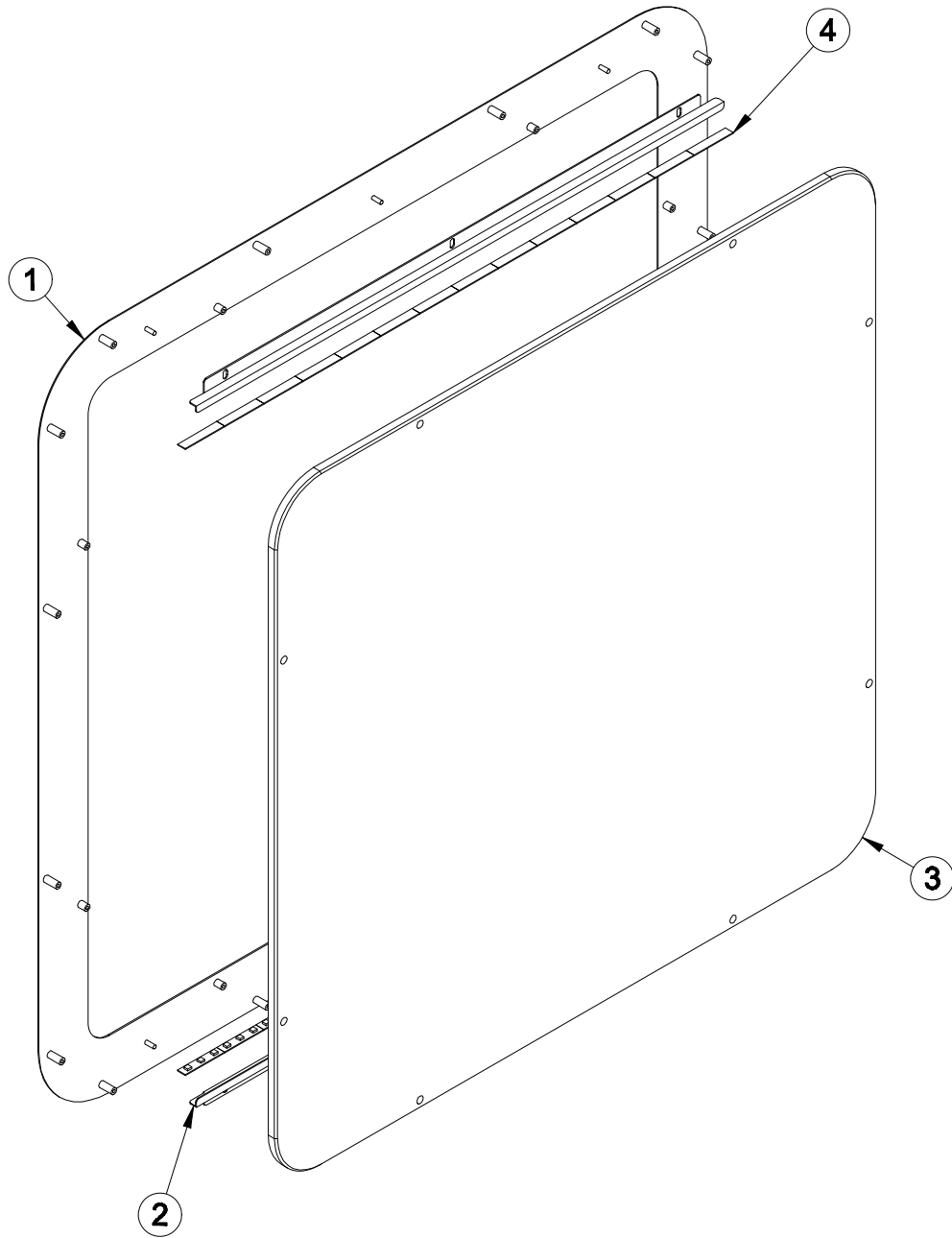
APIX0ASM029



NO.	Code Number	QUANTITY	PART NAME	SPEC.
1	MPIX0WOO001	1	MIDDLE WOOD PANEL	PW-18t
2	MPIX0MET046	2	MIDDLE PANEL HINGE Ass'y	SPCC-1.6t
3	MPIX0MET051	1	MIDDLE PANEL FIX BRKT	SPCC-2t
4	MPIX0MET047	1	BALL SLOPE BOTTOM BRKT	SPCC-1.2t
5	MPIX0MET050	1	BALL SLOPE UP BRKT_mir	SPCC-1.6t
6	MPIX0MET048	1	BALL SLOPE BOTTOM BRKT_mir	SPCC-1.2t
7	MPIX0MET049	1	BALL SLOPE UP BRKT	SPCC-1.6t

11-28. MIDDLE SIDE ACRYL FRAME Ass'y

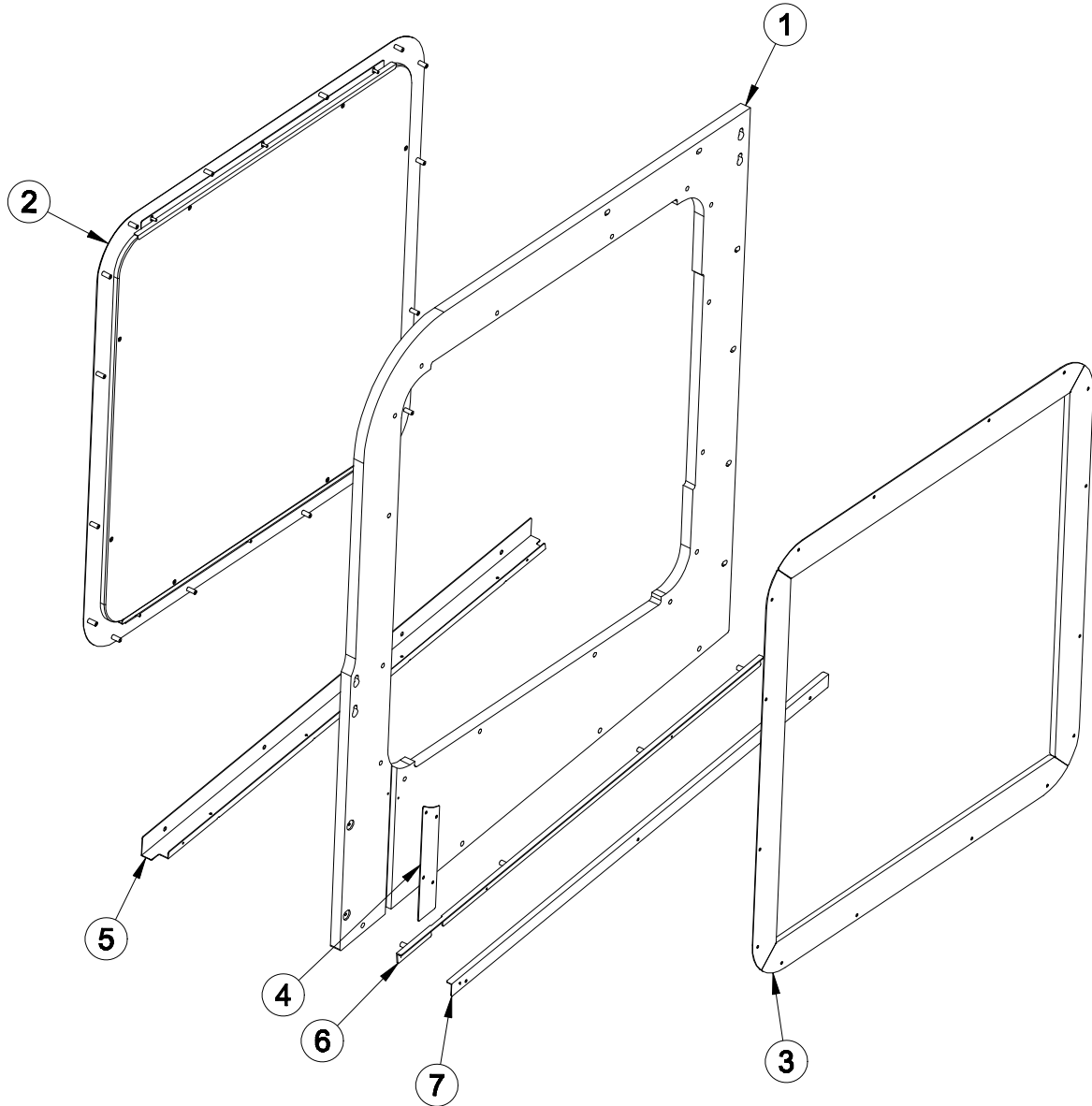
APIX0ASM026



NO.	Code Number	QUANTITY	PART NAME	SPEC.
1	MPIX0MET081	1	MIDDLE SIDE ACRYL FRAME BRKT	SPCC-1.2t
2	MPIX0MET082	2	MIDDLE SIDE ACRYL FLEXIBLE FIX BRKT	SPCC-1.2t
3	MPIX0A&S005	1	MIDDLE SIDE ACRYL	CLEAR ACRYL - 10.0t (투명아크릴)
4	APIX0FLM002	2	MIDDLE SIDE ACRYL FLEXIBLE	700-1/3-50L-42LED (R.G.B)

11-29. MIDDLE SIDE PANEL Ass'y

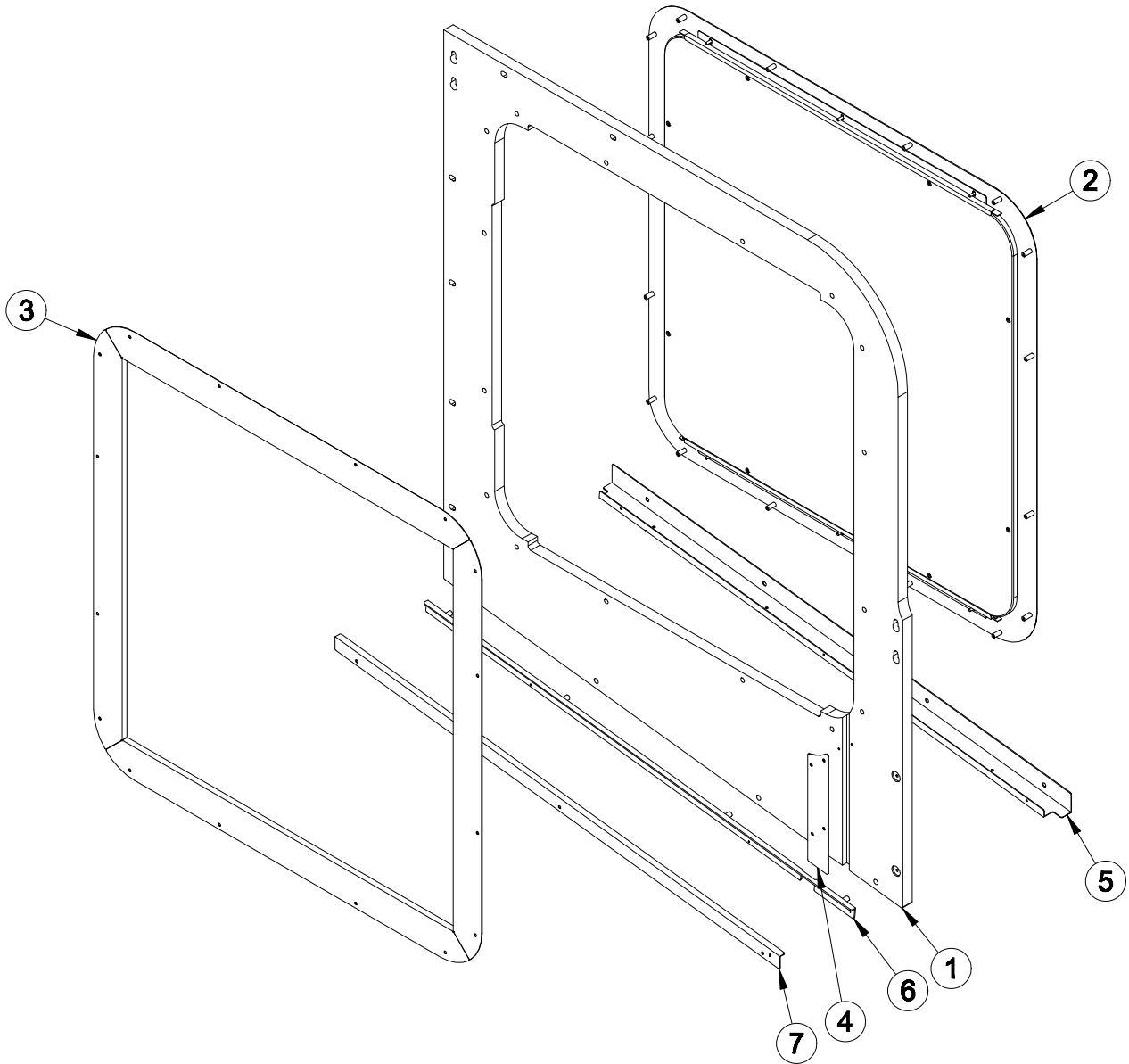
APIX0ASM027



NO.	Code Number	QUANTITY	PART NAME	SPEC.
1	MPIX0WOO015	1	MIDDLE SIDE BASE PANEL	MDF-20t
2	APIX0ASM026	1	MIDDLE SIDE ACRYL FRAME Ass'y	11-28. (39page)
3	MPIX0MET083	4	MIDDLE SIDE FRAME FIX BRKT A	SPCC-1.2t
4	MPIX0MET084	1	MIDDLE SIDE INNER HARNESS COVER BRKT	SPCC-1.2t
5	MPIX0MET085	1	MIDDLE SIDE PANEL OUT COVER BRKT	SPCC-1.2t
6	MPIX0MET087	1	MIDDLE SIDE PANEL INNER FIX BRKT	SPCC-2.0t
7	MPIX0MET089	1	MIDDLE SIDE HARNESS COVER BRKT	SPCC-1.2t

11-30. MIDDLE SIDE PANEL Ass'y_mir

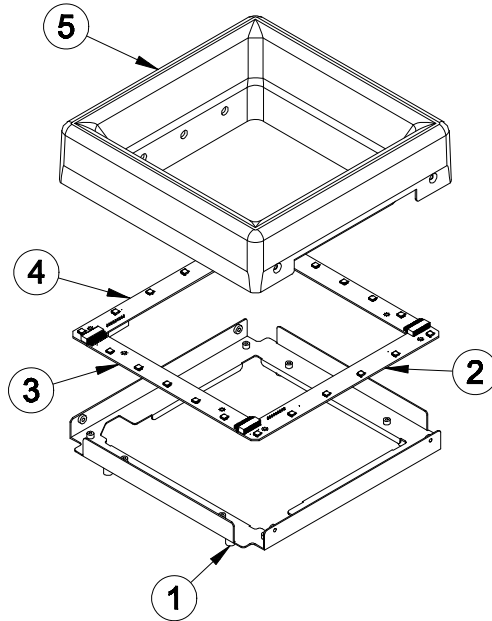
APIX0ASM028



NO.	Code Number	QUANTITY	PART NAME	SPEC.
1	MPIX0WOO016	1	MIDDLE SIDE BASE PANEL_mir	MDF-20t
2	APIX0ASM026	1	MIDDLE SIDE ACRYL FRAME Ass'y	11-28. (39page)
3	MPIX0MET083	4	MIDDLE SIDE FRAME FIX BRKT A	SPCC-1.2t
4	MPIX0MET084	1	MIDDLE SIDE INNER HARNESS COVER BRKT	SPCC-1.2t
5	MPIX0MET086	1	MIDDLE SIDE PANEL OUT COVER BRKT_mir	SPCC-1.2t
6	MPIX0MET088	1	MIDDLE SIDE PANEL INNER FIX BRKT_mir	SPCC-2.0t
7	MPIX0MET090	1	MIDDLE SIDE HARNESS COVER BRKT_mir	SPCC-1.2t

11-31. PIXEL MODULE Ass'y

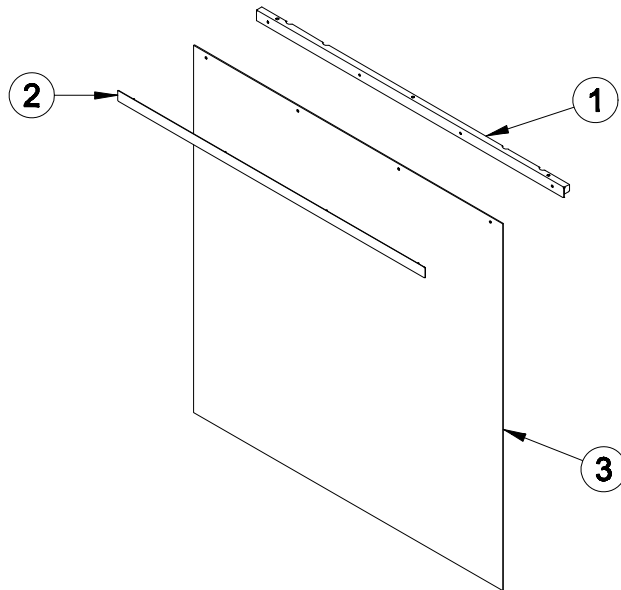
APIX0ASM033



NO.	Code Number	QUANTITY	PART NAME	SPEC.
1	MPIX0MET045	1	CUBE BASKET PCB SUPPORT BRKT	SPCC-1.2t
2	APIX0BOA009	1	MODULE TX BOARD	KMSEN-1802-160B
3	APIX0BOA008	2	MODULE LED BOARD	KMSEM-1801-162A
4	APIX0BOA010	1	MODULE RX BOARD	KMSEN-1802-161B
5	MPIX0MOL001	1	PIXEL MODULE COVER	LIGHT DIFFUSION PP-6T

11-32. REAR BALL REBOUND PROTECT Ass'y

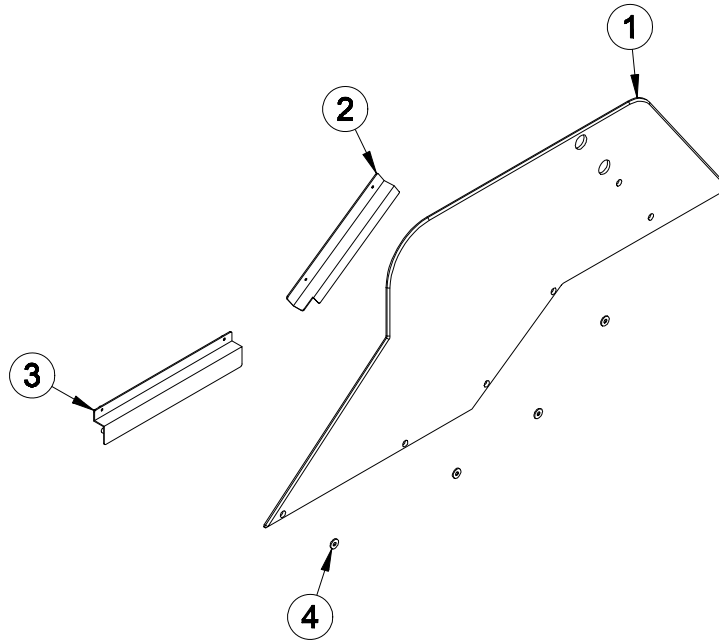
APIX0ASM035



NO.	Code Number	QUANTITY	PART NAME	SPEC.
1	MPIX0MET063	1	BALL REBOUND BASE BRKT	SPCC-1.2t
2	MPIX0MET064	1	REAR BALL REBOUND SUPPORT BRKT	SPCC-1.2t
3	MPIX0000001	1	RUBBER PAD (2.4T)	EPDM RUBBER PAD 2.4T (101cm X 104cm)

11-33. BILLBOARD SIDE UPPER BALL STOP Ass'y

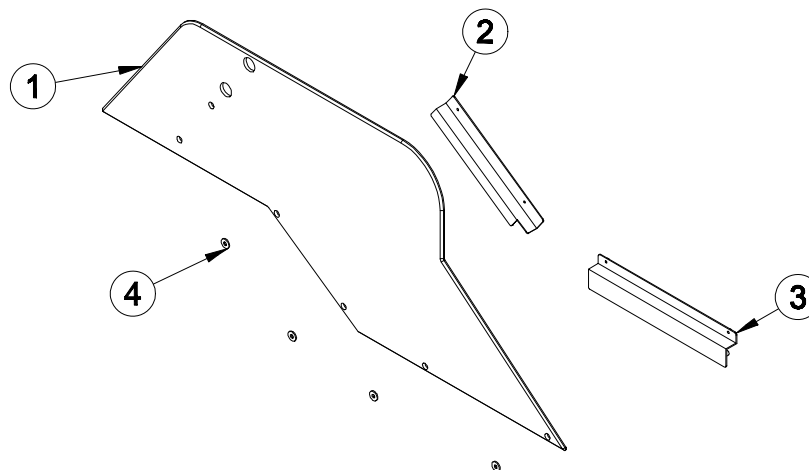
APIX0ASM012



NO.	Code Number	QUANTITY	PART NAME	SPEC.
1	MPIX0A&S006	1	BILLBOARD SIDE UPPER BALL STOP ACRYL	CLEAR PC-5.0t (투명)
2	MPIX0MET097	1	BILLBOARD SIDE UPPER ANGLE FIX BRKT	SPCC-1.6t
3	MPIX0MET099	1	BILLBOARD SIDE UPPER SUPPORT BRKT	SPCC-1.6t
4	MPIX0MET039	4	M4 WHITE WASHER	SPCC-1.6t

11-34. BILLBOARD SIDE UPPER BALL STOP Ass'y_mir

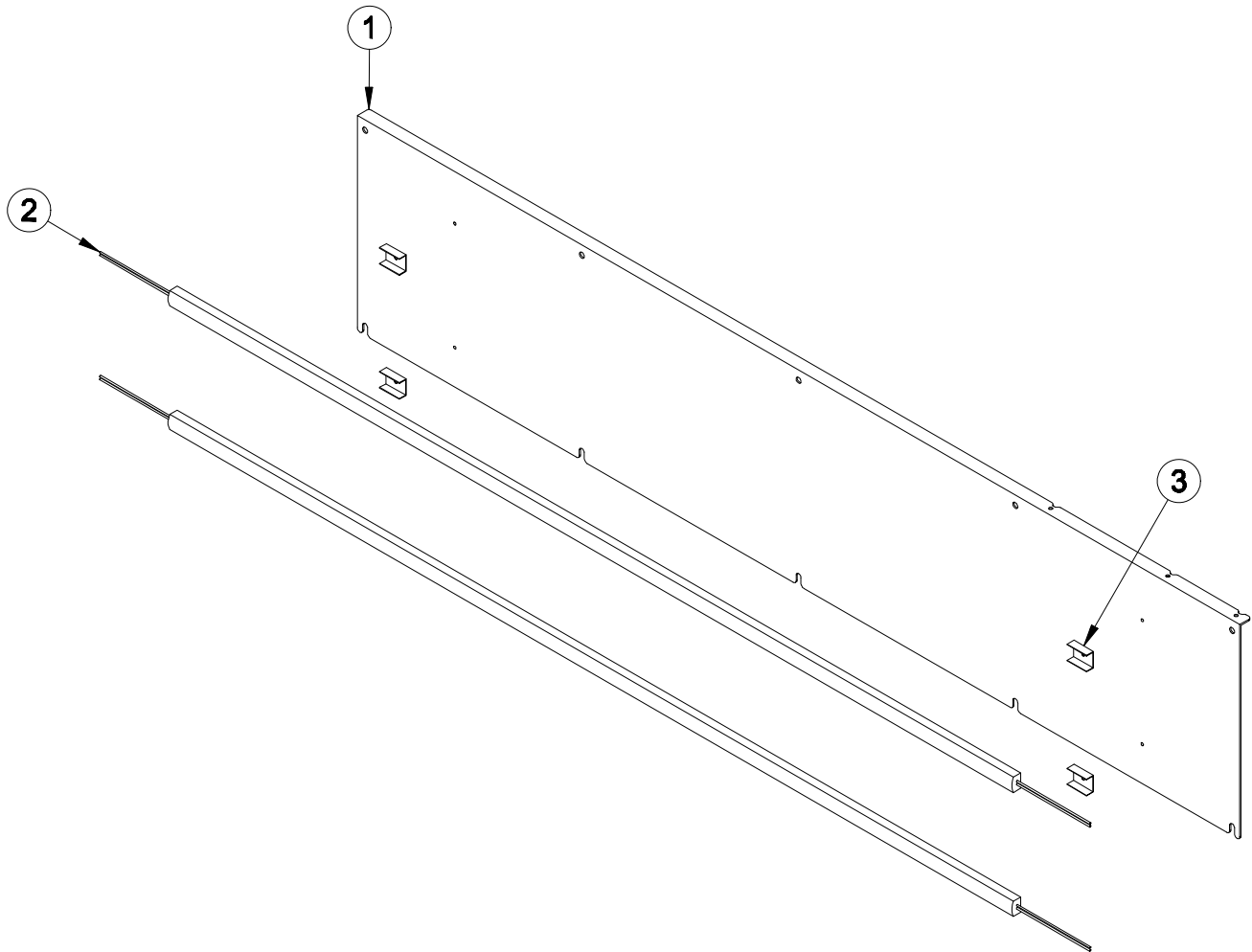
APIX0ASM013



NO.	Code Number	QUANTITY	PART NAME	SPEC.
1	MPIX0A&S007	1	BILLBOARD SIDE UPPER BALL STOP ACRYL_mir	CLEAR PC-5.0t (투명)
2	MPIX0MET098	1	BILLBOARD SIDE UPPER ANGLE FIX BRKT_mir	SPCC-1.6t
3	MPIX0MET099	1	BILLBOARD SIDE UPPER SUPPORT BRKT	SPCC-1.6t
4	MPIX0MET039	4	M4 WHITE WASHER	SPCC-1.6t

11-35. BILLBOARD BACK LIGHT COVER Ass'y

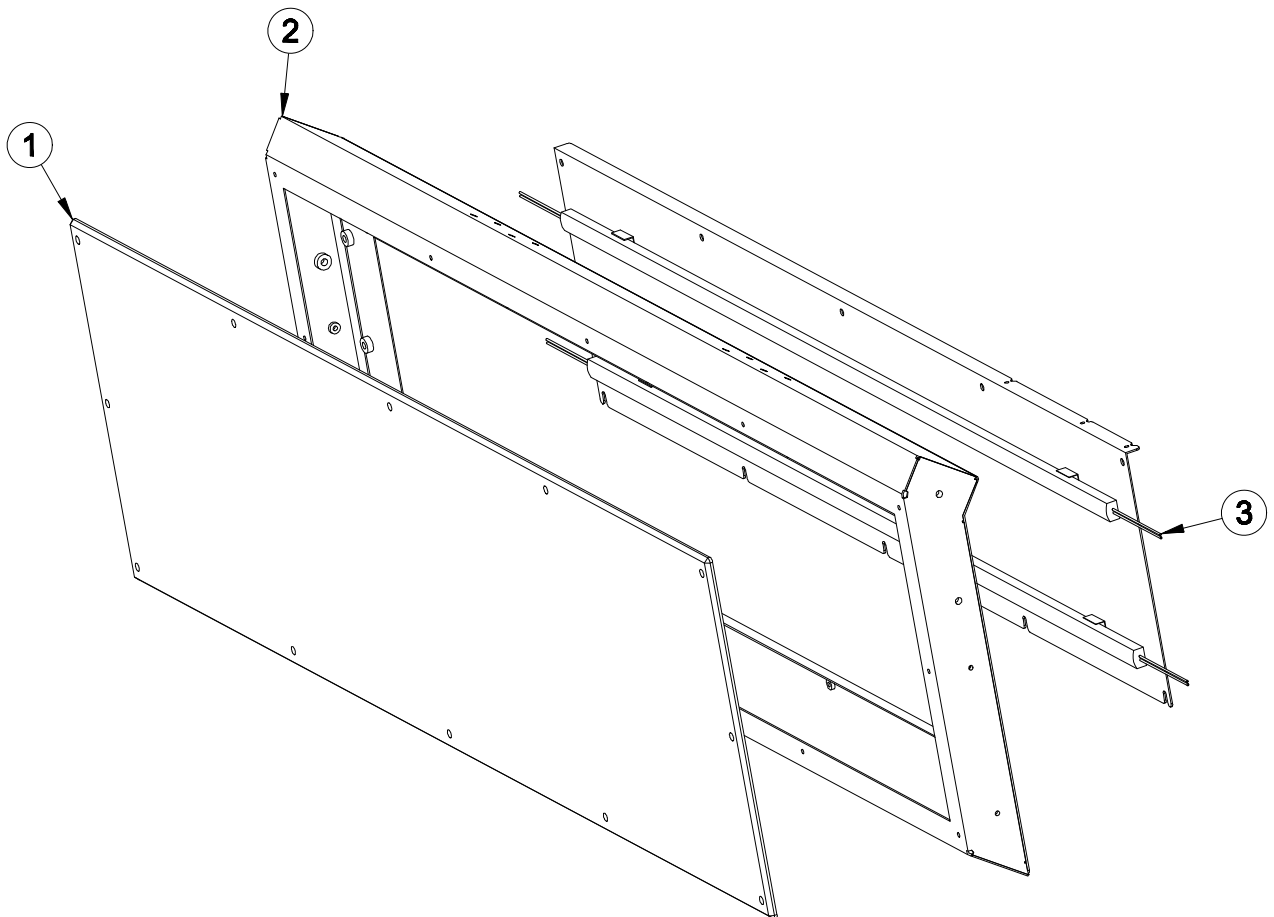
APIX0ASM007



NO.	Code Number	QUANTITY	PART NAME	SPEC.
1	MPIX0MET077	1	BILLBOARD BACK LIGHT COVER BRKT	SPCC-1.2t
2	MZZZ0LSB010	2	LED(5050) STICK BAR(8.000K)- 850mm	WHITE COLOR LED (850mm)
3	MSWI0LSB002	4	LED STICK BAR BRKT 12MM	12MM

11-36. BILLBOARD BACK LIGHT Ass'y

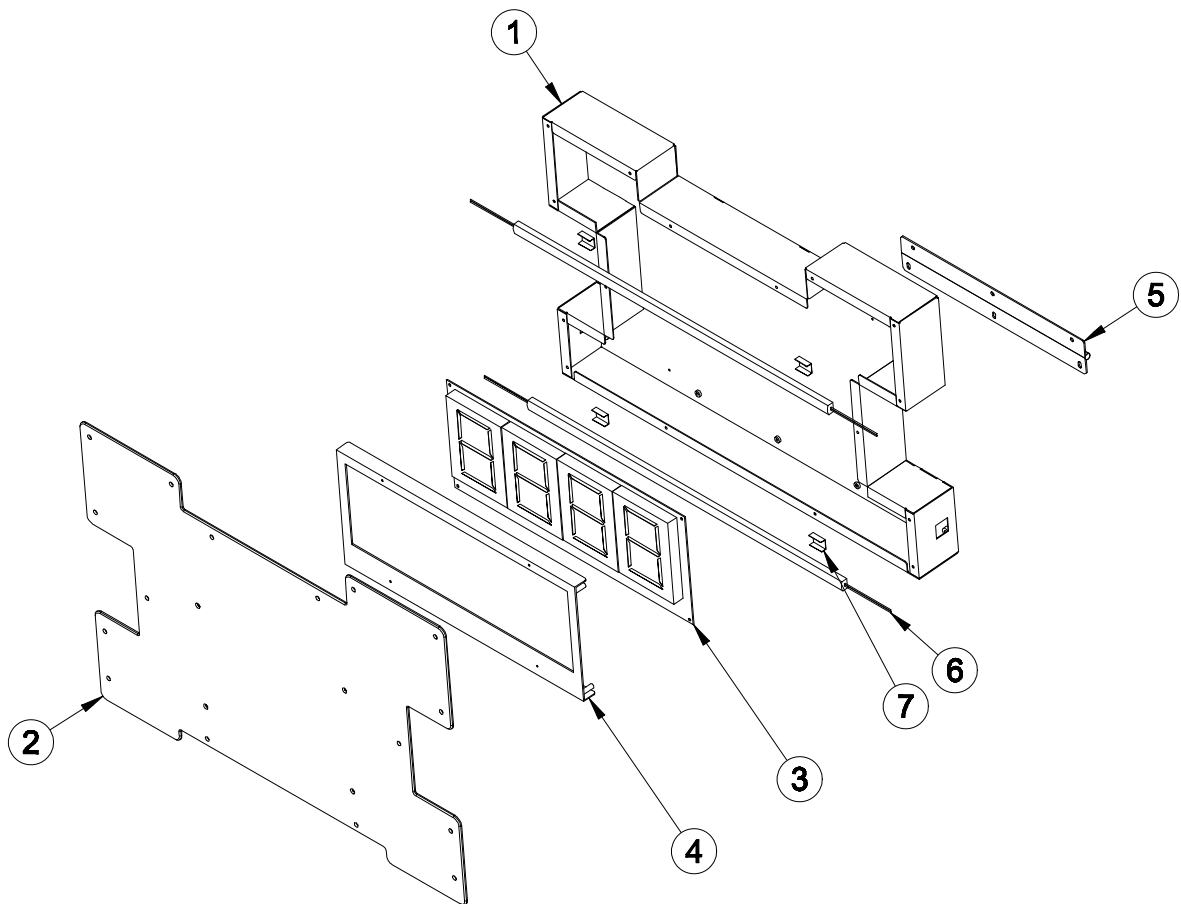
APIX0ASM006



NO.	Code Number	QUANTITY	PART NAME	SPEC.
1	MPIX0A&S008	1	BILLBOARD BACK LIGHT PC COVER ACRYL	CLEAR PC-5.0t (투명)
2	MPIX0MET073	1	BILLBOARD BACK LIGHT FRAME WELD Ass'y	WELD Ass'y (용접물)
3	APIX0ASM007	1	BILLBOARD BACK LIGHT COVER Ass'y	11-35. (44page)

11-37. BILLBOARD CENTER Ass'y

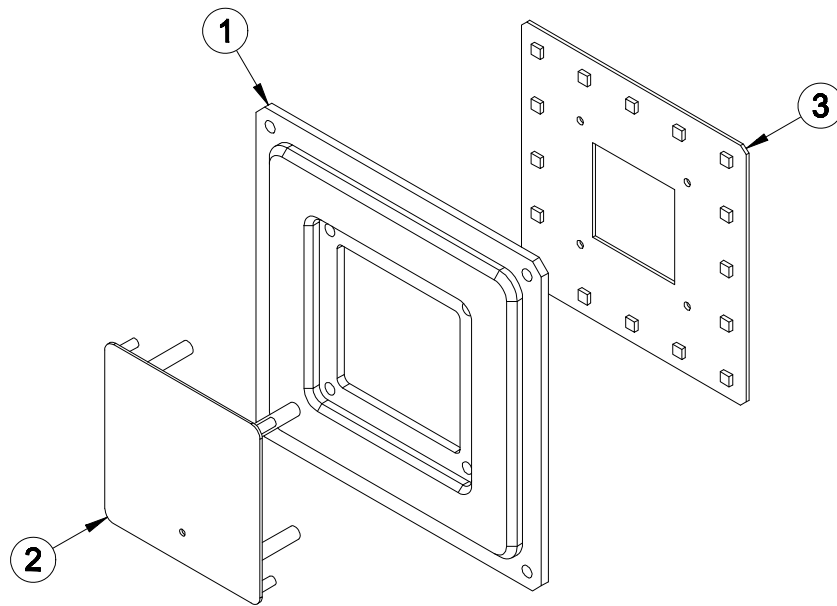
APIX0ASM009



NO.	Code Number	QUANTITY	PART NAME	SPEC.
1	MPIX0MET066	1	BILLBOARD CENTER FRAME WELD Ass'y	WELD Ass'y (용접물)
2	MPIX0A&S009	1	BILLBOARD CENTER FRAME COVER ACRYL	CLEAR PC-3.0t (투명)
3	APIX0BOA006	1	BIG BONUS FND	KMFND-1706-141A
4	MPIX0MET067	1	BILLBOARD BONUS FND FIX BRKT	SPCC-1.6t
5	MPIX0MET075	1	BILLBOARD CENTER HINGE Ass'y	SPCC-1.6t
6	MZZZ0LSB003	2	LED(5050) STICK BAR(8.000K)-500mm	WHITE COLOR LED (500mm)
7	MSWI0LSB002	4	LED STICK BAR BRKT 12MM	12MM

11-38.BILLBOARD SIDE LIGHT ACRYL Ass'y (UP RED)

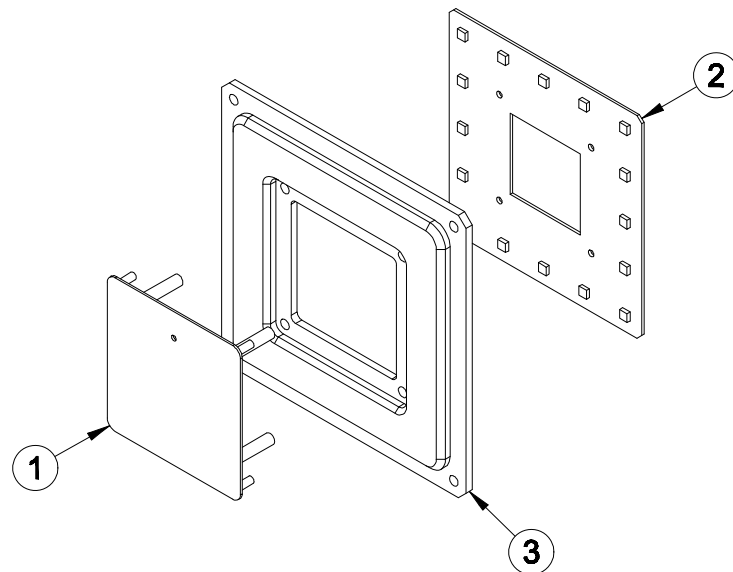
APIX0ASM047



NO.	Code Number	QUANTITY	PART NAME	SPEC.
1	MPIX0ACR008	1	BILLBOARD SIDE LIGHT ACRYL	POINT ACRYL -10t
2	MPIX0MET069	1	BILLBOARD SIDE ACRYL BOARD SUPPORT BRKT	SPCC-1.2t
3	APIX0BOA005	1	BILLBOARD SIDE LED BOARD (RED)	KMLED01710-153A

11-39.BILLBOARD SIDE LIGHT ACRYL Ass'y (DOWN BLUE)

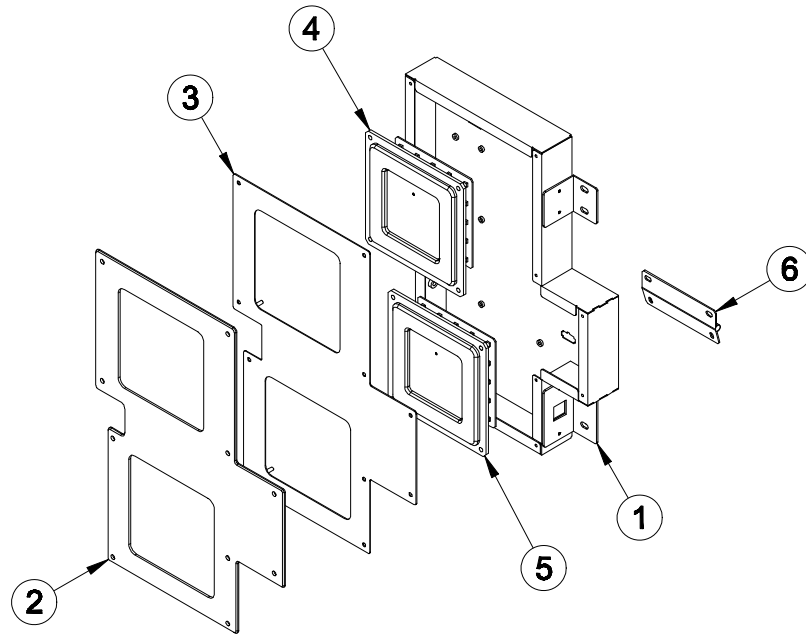
APIX0ASM048



NO.	Code Number	QUANTITY	PART NAME	SPEC.
1	MPIX0MET069	1	BILLBOARD SIDE ACRYL BOARD SUPPORT BRKT	SPCC-1.2t
2	APIX0BOA004	1	BILLBOARD SIDE LED BOARD (BLUE)	KMLED01710-153A
3	MPIX0ACR008	1	BILLBOARD SIDE LIGHT ACRYL	POINT ACRYL -10t

11-40.BILLBOARD SIDE Ass'y

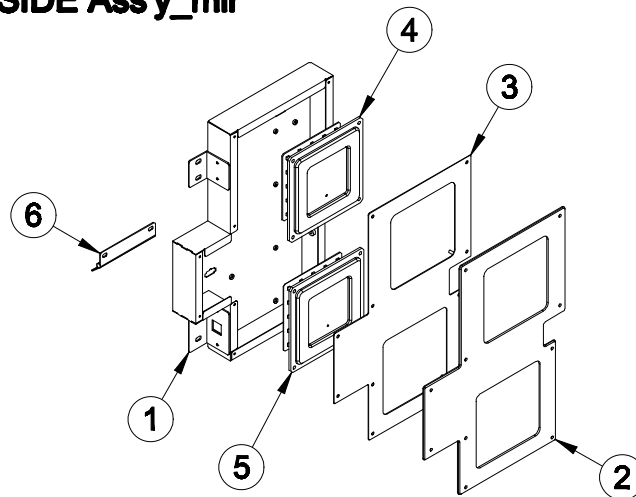
APIX0ASM010



NO.	Code Number	QUANTITY	PART NAME	SPEC.
1	MPIX0MET068	1	BILLBOARD SIDE FRAME WELD Ass'y	WELD Ass'y (용접물)
2	MPIX0A&S010	1	BILLBOARD SIDE FRAME COVER ACRYL	CLEAR PC-3.0t (투명)
3	MPIX0MET070	1	BILLBOARD SIDE FRAME FRONT COVER BRKT	SPCC-1.2t
4	APIX0ASM047	1	BILLBOARD SIDE LIGHT ACRYL Ass'y (UP RED)	11-38. (47page)
5	APIX0ASM048	1	BILLBOARD SIDE LIGHT ACRYL Ass'y (DOWN BLUE)	11-39. (47page)
6	MPIX0MET074	1	BILLBOARD HINGE Ass'y	SPCC-1.6t

11-41.BILLBOARD SIDE Ass'y_mir

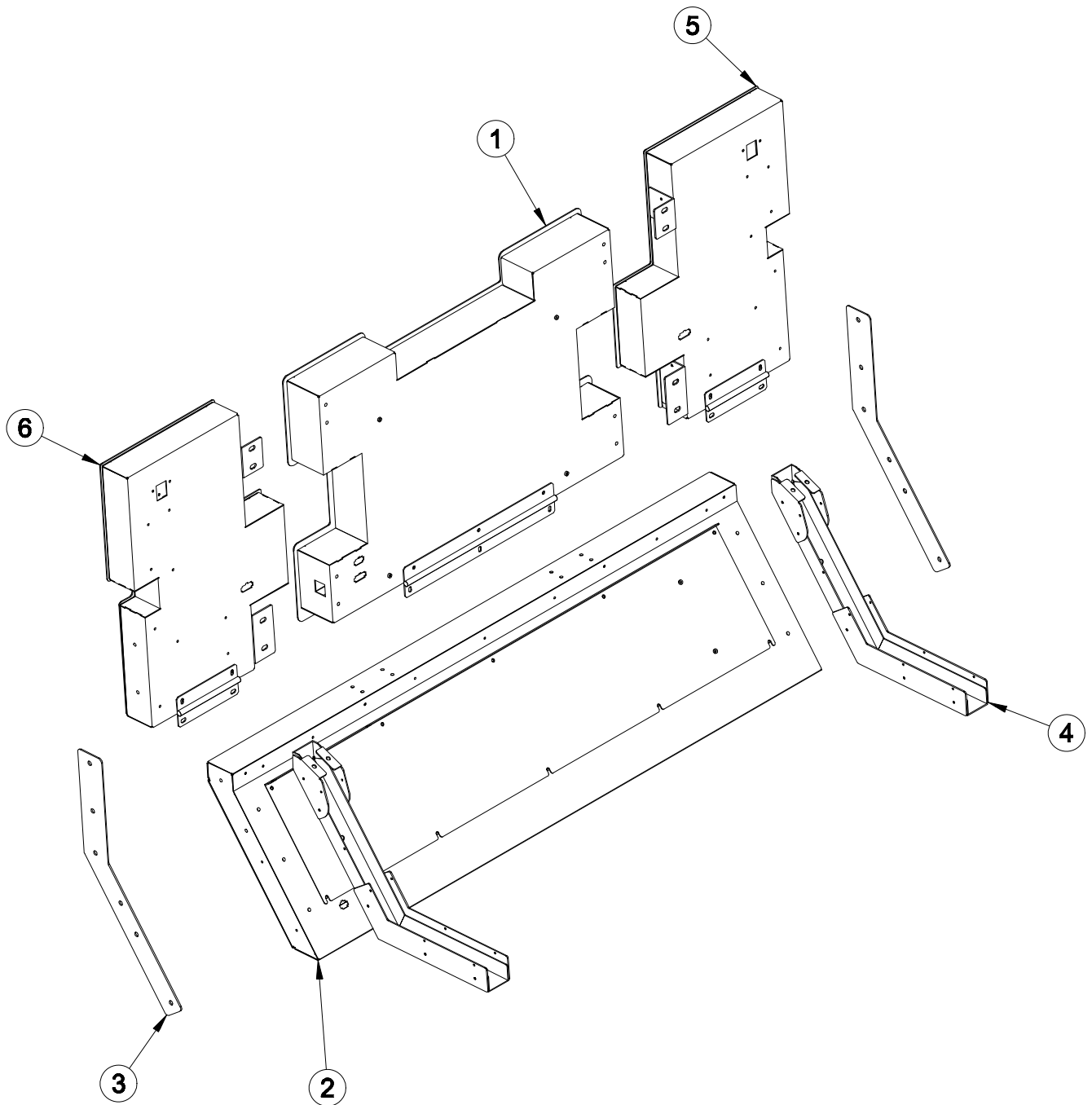
APIX0ASM011



NO.	Code Number	QUANTITY	PART NAME	SPEC.
1	MPIX0MET072	1	BILLBOARD SIDE FRAME WELD Ass'y_mir	WELD Ass'y (용접물)
2	MPIX0A&S011	1	BILLBOARD SIDE FRAME COVER ACRYL_mir	CLEAR PC-3.0t (투명)
3	MPIX0MET071	1	BILLBOARD SIDE FRAME FRONT COVER BRKT_mir	SPCC-1.2t
4	APIX0ASM047	1	BILLBOARD SIDE LIGHT ACRYL Ass'y (UP RED)	11-38. (47page)
5	APIX0ASM048	1	BILLBOARD SIDE LIGHT ACRYL Ass'y (DOWN BLUE)	11-39. (47page)
6	MPIX0MET074	1	BILLBOARD HINGE Ass'y	SPCC-1.6t

11-42. BILLBOARD BONUS FND Ass'y

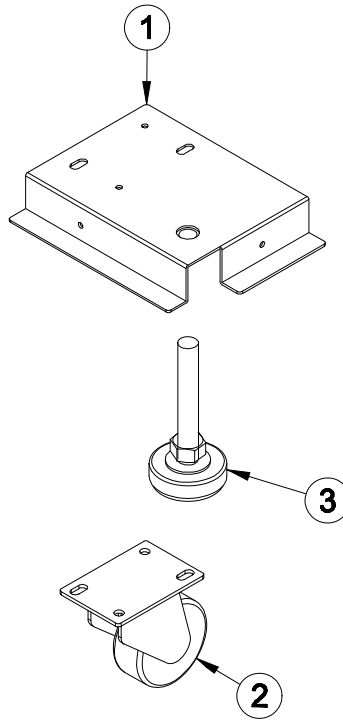
APIX0ASM008



NO.	Code Number	QUANTITY	PART NAME	SPEC.
1	APIX0ASM009	1	BILLBOARD CENTER Ass'y	11-37. (46page)
2	APIX0ASM006	1	BILLBOARD BACK LIGHT Ass'y	11-36. (45page)
3	MPIX0MET078	2	BILLBOARD Ass'y SIDE SUPPORT BRKT	SPCC-2t
4	MPIX0MET079	2	BILLBOARD FIX BRKT WELD Ass'y	WELD Ass'y(용접물)
5	APIX0ASM010	1	BILLBOARD SIDE Ass'y	11-40. (48page)
6	APIX0ASM011	1	BILLBOARD SIDE Ass'y_mir	11-41. (48page)

11-43.CASTER Ass'y

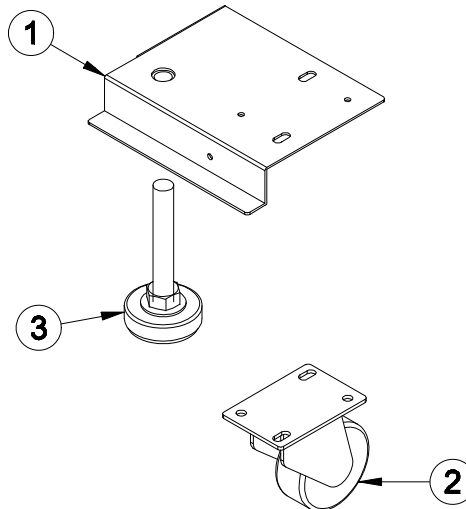
APIX0ASM016



NO.	Code Number	QUANTITY	PART NAME	SPEC.
1	MPIX0WOO005	1	CASTER BRKT WELD Ass'y	PAINTING BLACK COLOR (흑색유광도장)
2	MZZZ0CAS010	1	CASTER	3inch
3	MZZZ0ADJ001	1	ADJUSTER (PV-100-60)	(PV-100-60)

11-44.CASTER Ass'y_mir

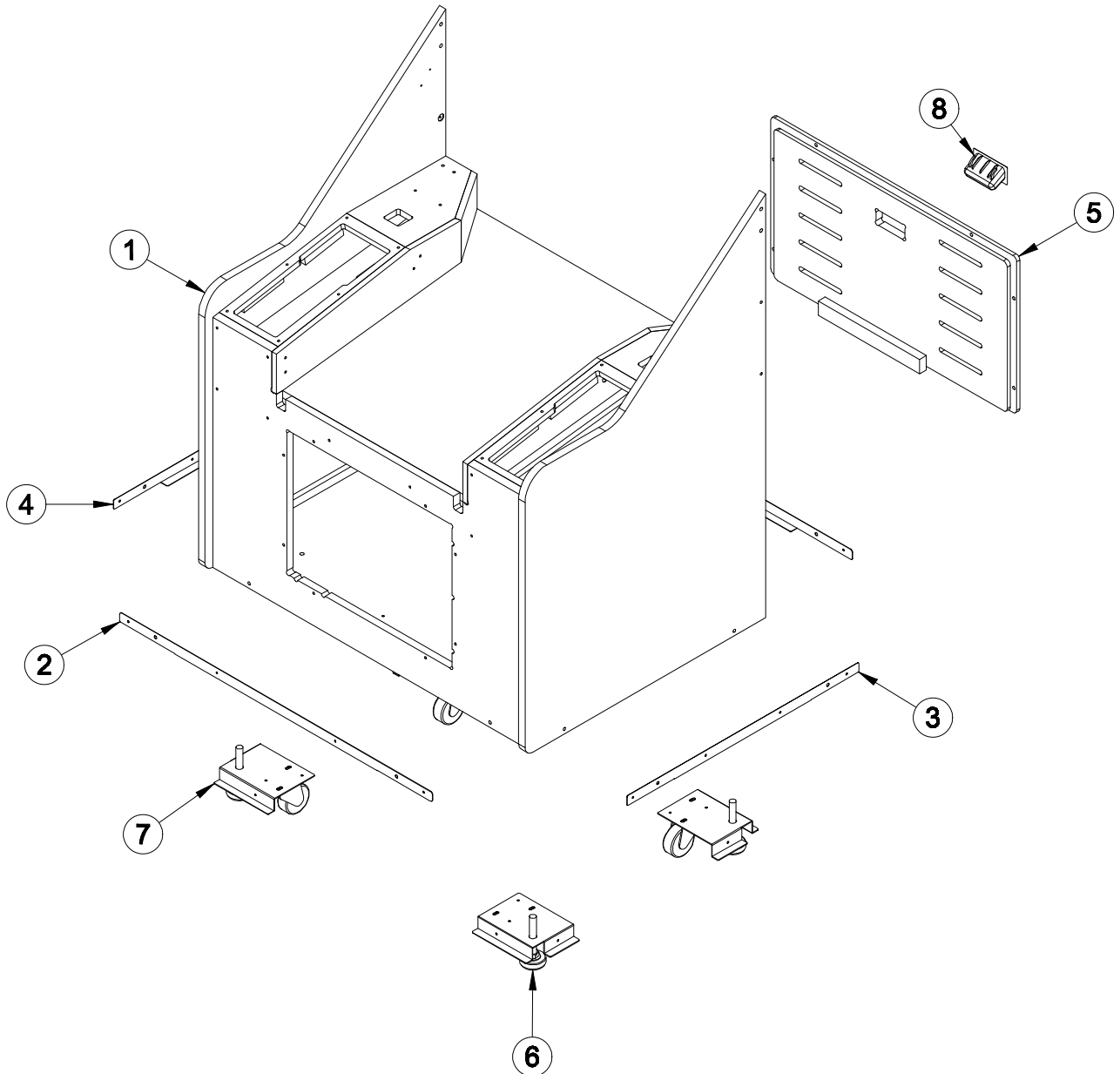
APIX0ASM017



NO.	Code Number	QUANTITY	PART NAME	SPEC.
1	MPIX0WOO006	1	CASTER BRKT WELD Ass'y_mir	PAINTING BLACK COLOR (흑색유광도장)
2	MZZZ0CAS010	1	CASTER	3inch
3	MZZZ0ADJ001	1	ADJUSTER (PV-100-60)	(PV-100-60)

11-45.FRONT CABINET Ass'y

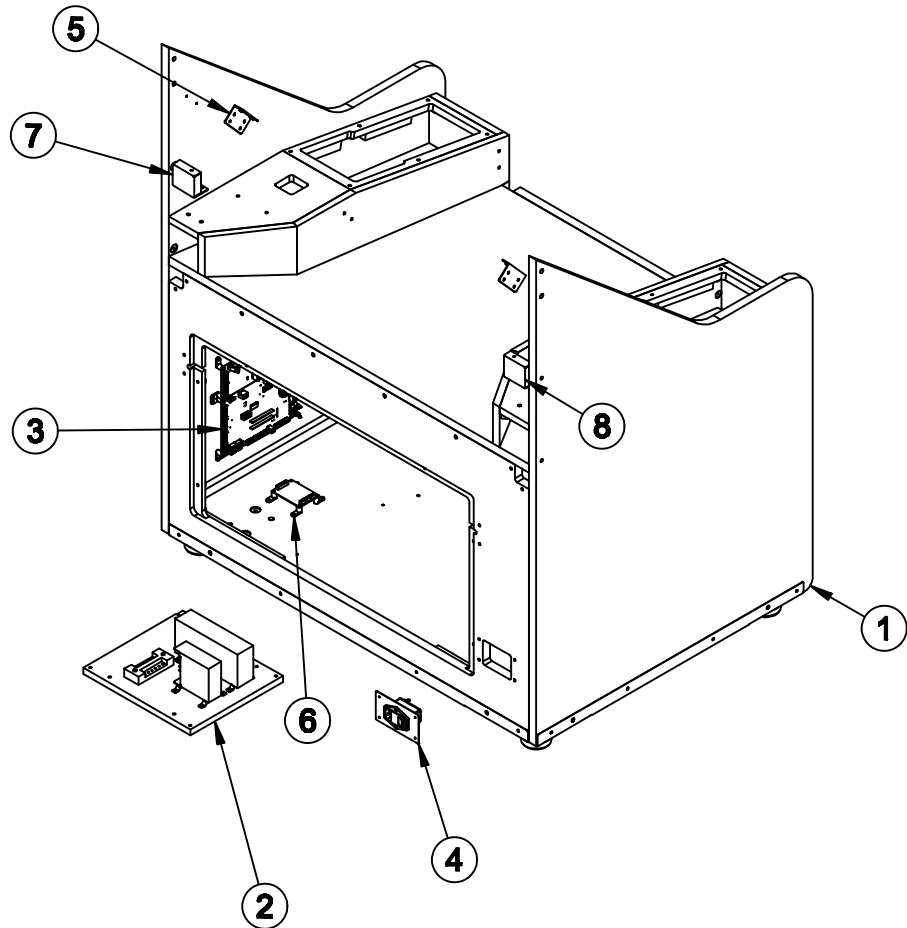
APIX0ASM019



NO.	Code Number	QUANTITY	PART NAME	SPEC.
1	MPIX0WOO003	1	FRONT WOOD Ass'y	ASSEMBLE (조립품)
2	MPIX0WOO007	2	FRONT BENDING	SPCC-1.2t
3	MPIX0WOO008	1	FRONT SIDE BENDING	SPCC-1.2t
4	MPIX0WOO009	1	FRONT SIDE BENDING_mir	SPCC-1.2t
5	MPIX0WOO004	1	FRONT CASE DOOR	MDF-20t
6	APIX0ASM016	2	CASTER Ass'y	11-43. (50page)
7	APIX0ASM017	2	CASTER Ass'y_mir	11-44. (50page)
8	MSBC0WOO014	1	PLASTIC DRAWER PULLS	BLACK PLASTIC

11-46. FRONT CASE Ass'y

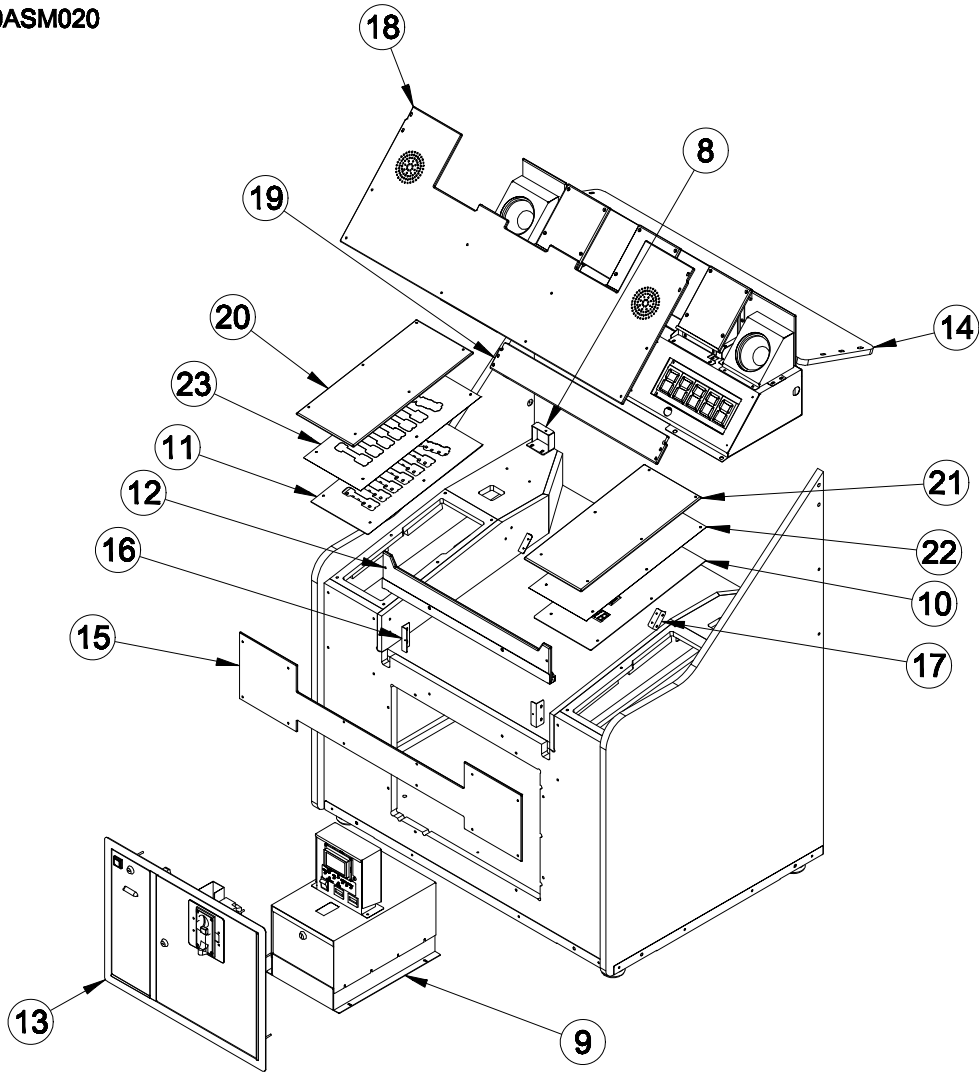
APIX0ASM020



NO.	Code Number	QUANTITY	PART NAME	SPEC.
1	APIX0ASM019	1	FRONT CABINET Ass'y	11-45. (51page)
2	APIX0ASM034	1	POWER SMPS Ass'y	11-2. (22page)
3	APIX0ASM032	1	PIXEL MAIN BOARD Ass'y	11-4. (23page)
4	APIX0ASM030	1	NOISE FILTER Ass'y	11-3. (23page)
5	MPIX0MET041	2	FRONT SCORE FND ACRYL FIX BRKT	SPCC-1.6t
6	AUFE0PCB002	1	PWM 3 POINT LED BOARD	KMPWM-1303-38B
7	MPIX0MET042	1	FRONT UPPER MIDDLE PANEL LINK BRKT	SPCC-1.6t
8	MPIX0MET043	1	FRONT UPPER MIDDLE PANEL LINK BRKT_mir	SPCC-1.6t

11-47.FRONT CASE Ass'y

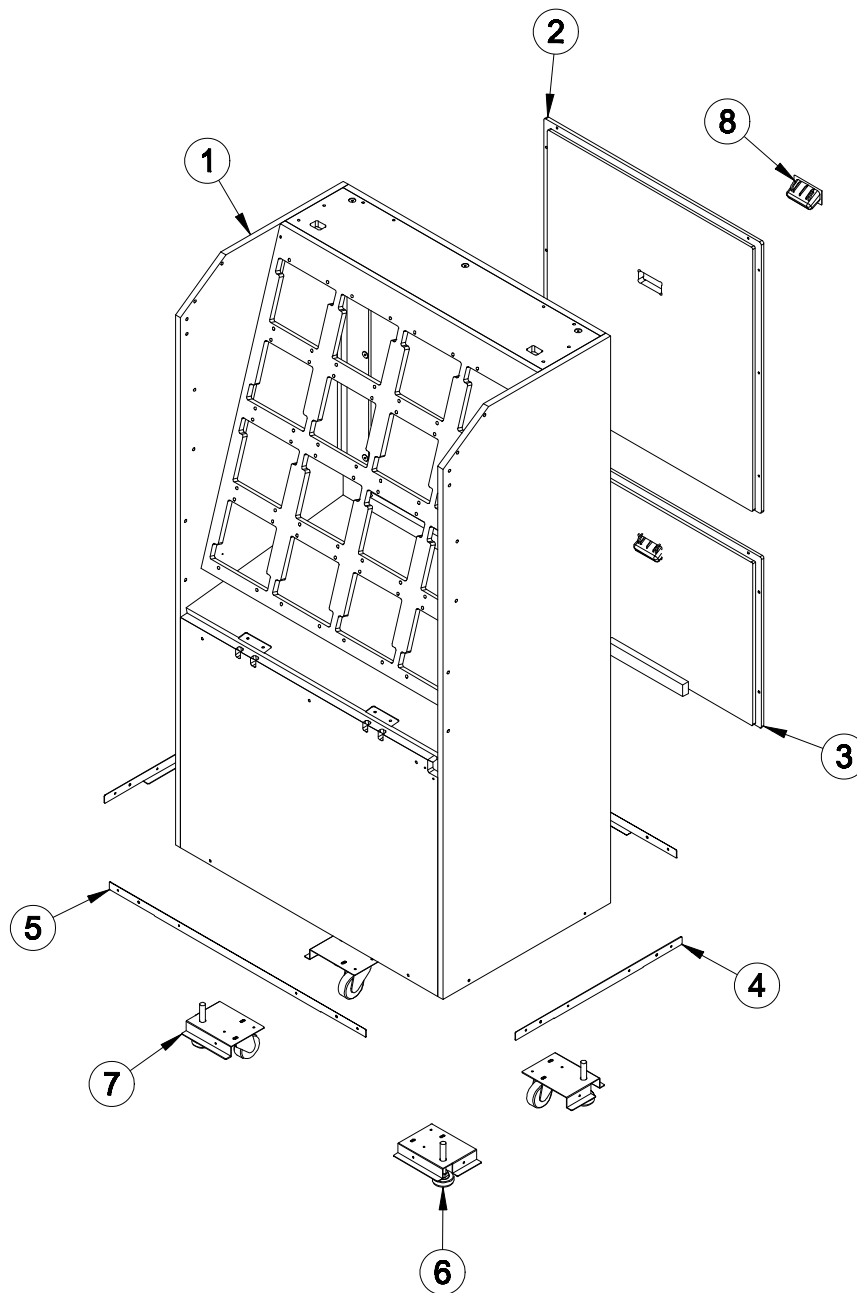
APIX0ASM020



NO.	Code Number	QUANTITY	PART NAME	SPEC.
9	APIX0ASM015	1	CASH BOX BODY Ass'y	11-6. (24page)
10	APIX0ASM018	1	CREDIT FND Ass'y	11-26. (37page)
11	APIX0ASM022	1	FRONT SCORE TICKET Ass'y	11-25. (37page)
12	APIX0ASM023	1	FRONT TITLE ACRYL Ass'y	11-7. (25page)
13	APIX0ASM021	1	FRONT MIDDLE DOOR ASSY	11-24. (36page)
14	APIX0ASM040	1	SCORE FND BOX Ass'y	11-22. (34page)
15	MPIX0A&S001	1	FRONT DECO ACRYL	CLEAR ACRYL -5t (투명아크릴)
16	MPIX0MET040	2	FRONT TITLE ACRYL SIDE FIX BRKT	SPCC-1.2t
17	MPIX0MET044	2	SCORE BOX BOTTOM ACRYL FIX BRKT	SPCC-2t
18	MPIX0A&S004	1	FRONT CASE SCORE FND ACRYL	CLEAR ACRYL-8t (투명아크릴)
19	MPIX0A&S003	1	SCORE BOX BOTTOM LED ACRYL	CLEAR ACRYL - 10.0t (투명아크릴)
20	MPIX0ACR001	1	SCORE TICKET COVER ACRYL	CLEAR ACRYL -5.0t (투명아크릴)
21	MPIX0ACR002	1	CREDIT COVER ACRYL	CLEAR ACRYL -5.0t (투명아크릴)
22	MPIX0SHE039	1	CREDIT COVER ACRYL SHEET	LIGHTING SHEET+FND FILM
23	MPIX0SHE040	1	SCORE TICKET COVER ACRYL SHEET	EMEA DEFAULT
	MPIX0SHE041	1	SCORE TICKET COVER ACRYL SHEET	US DEFAULT
	MPIX0SHE042	1	SCORE TICKET COVER ACRYL SHEET	ADDITIONAL

11-48. REAR CABINET Ass'y

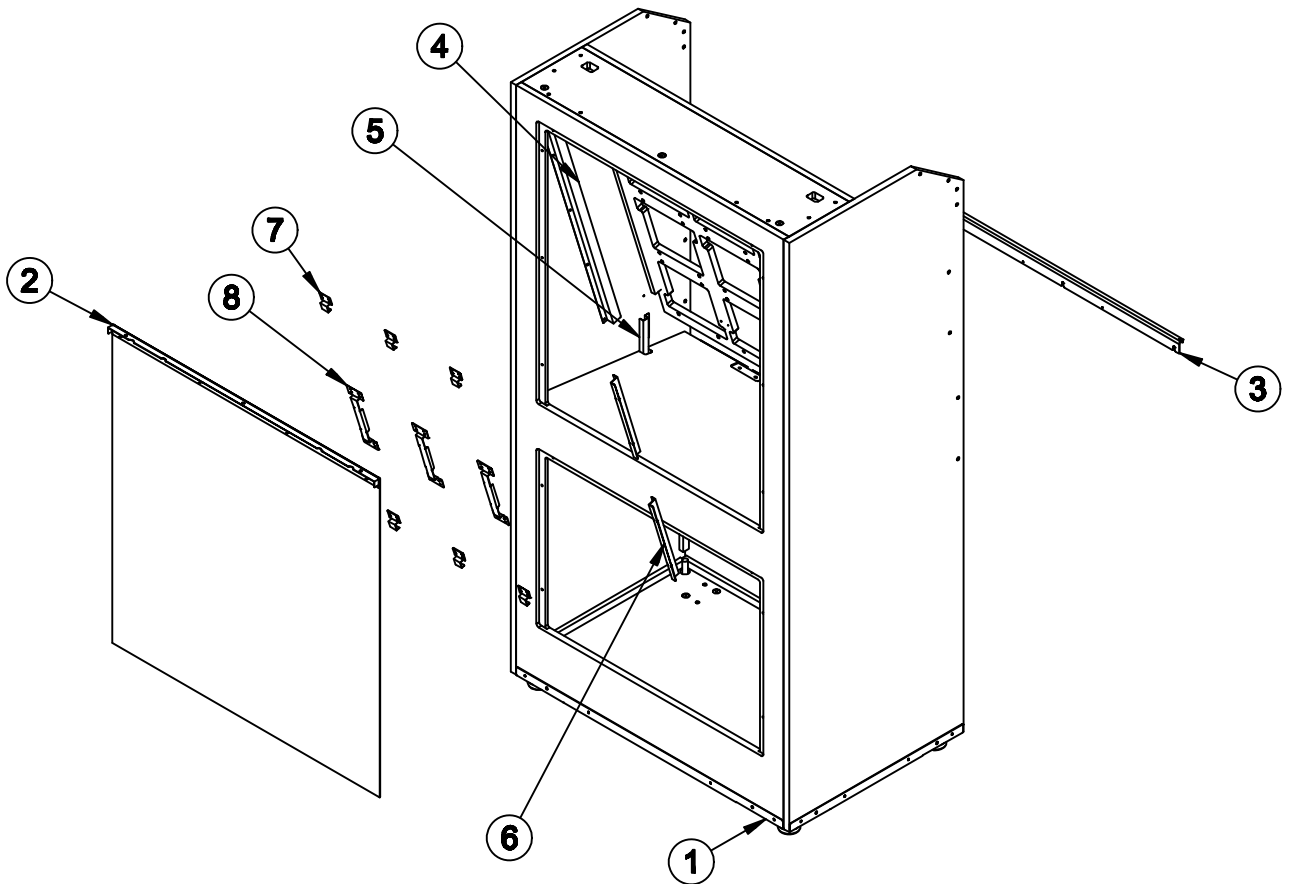
APIX0ASM036



NO.	Code Number	QUANTITY	PART NAME	SPEC.
1	MPIX0WOO010	1	REAR WOOD Ass'y	ASSEMBLE (조립품)
2	MPIX0WOO011	1	REAR DOOR	MDF-20t
3	MPIX0WOO012	1	REAR BACK BOTTOM DOOR	MDF- 20t
4	MPIX0WOO013	2	REAR SIDE BENDING	SPCC-1.2t
5	MPIX0WOO014	2	REAR FRONT BENDING	SPCC-1.2t
6	APIX0ASM016	2	CASTER Ass'y	11-43. (50page)
7	APIX0ASM017	2	CASTER Ass'y_mir	11-44. (50page)
8	MSBC0WOO014	2	PLASTIC DRAWER PULLS	BLACK PLASTIC

11-49. REAR CASE. Ass'y

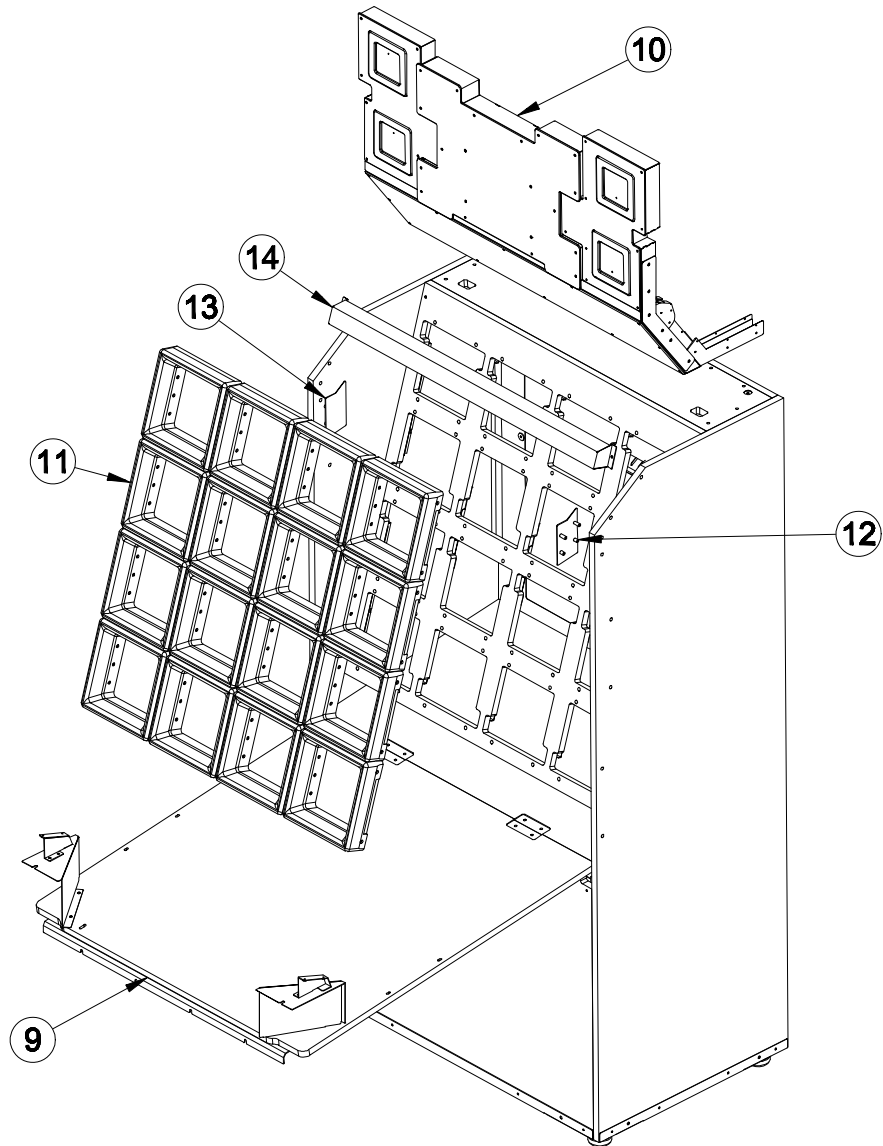
APIX0ASM037



NO.	Code Number	QUANTITY	PART NAME	SPEC.
1	APIX0ASM036	1	REAR CABINET Ass'y	11-48. (54page)
2	APIX0ASM035	1	REAR BALL REBOUND PROTECT Ass'y	11-32. (42page)
3	MPIX0MET052	1	MIDDLE WOOD PANEL BOTTOM SUPPORT BRKT	SPCC-2t
4	MPIX0MET054	1	REAR SIDE HARNESS COVER BRKT	SPCC-1.2t
5	MPIX0MET055	1	REAR MODULE HARNESS BRKT	SPCC-1.2t
6	MPIX0MET082	2	MODULE HARNESS COVER BRKT C (KOR)	SPCC-1.2t
7	MPIX0MET100	6	MODULE HARNESS COVER BRKT A	SPCC-1.2t
8	MPIX0MET101	3	MODULE HARNESS COVER BRKT B	SPCC-1.2t

11-50. REAR CASE. Ass'y

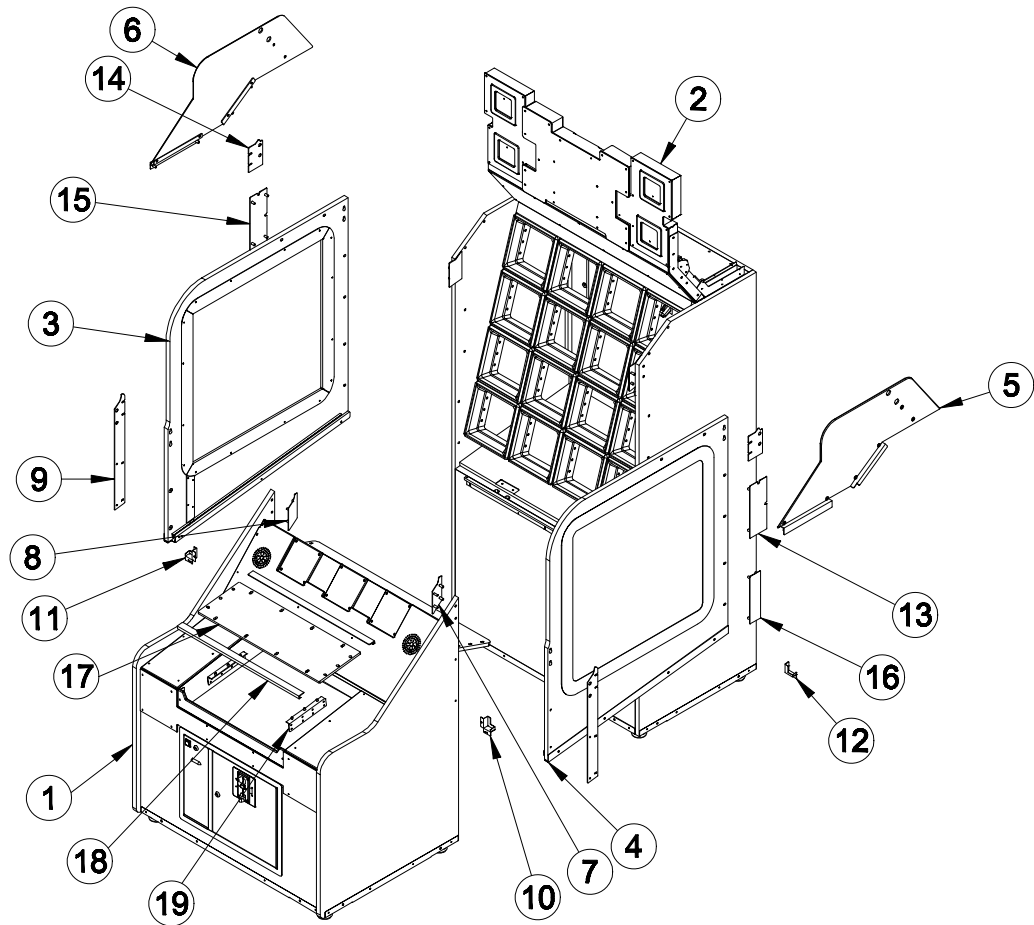
APIX0ASM037



NO.	Code Number	QUANTITY	PART NAME	SPEC.
9	APIX0ASM029	1	MIDDLE WOOD PANEL Ass'y	11-27. (38page)
10	APIX0ASM008	1	BILLBOARD BONUS FND Ass'y	11-42. (49page)
11	APIX0ASM033	16	PIXEL MODULE Ass'y	11-31.(42page)
12	MPIX0MET059	1	MIDDLE REAR LINK INNER BRKT	SPCC-2t
13	MPIX0MET060	1	MIDDLE REAR LINK INNER BRKT_mir	SPCC-2t
14	MPIX0MET080	1	CUBE BASKET BALL STOP PROTECT BRKT	SPCC-1.2t

11-51. ASSEMBLING PIXEL CHASE ALL FIX Ass'y

APIX0ASM031



NO.	Code Number	QUANTITY	PART NAME	SPEC.
1	APIX0ASM020	1	FRONT CASE Ass'y	11-46. (52page)
2	APIX0ASM037	1	REAR CASE. Ass'y	11-49. (55page)
3	APIX0ASM027	1	MIDDLE SIDE PANEL Ass'y	11-29. (40page)
4	APIX0ASM028	1	MIDDLE SIDE PANEL Ass'y_mir	11-30. (41page)
5	APIX0ASM012	1	BILLBOARD SIDE UPPER BALL STOP Ass'y	11-33. (43page)
6	APIX0ASM013	1	BILLBOARD SIDE UPPER BALL STOP Ass'y_mir	11-34. (43page)
7	MPIX0MET091	1	FRONT MIDDLE LINK INNER BRKT	SPCC-2t
8	MPIX0MET092	1	FRONT MIDDLE LINK INNER BRKT_mir	SPCC-2t
9	MPIX0MET093	2	FRONT MIDDLE SIDE LINK BRKT	SPCC-2t
10	MPIX0MET094	1	FRONT CASE HARNESS COVER BRKT	SPCC-1.2t
11	MPIX0MET095	1	FRONT CASE HARNESS COVER BRKT_mir	SPCC-1.2t
12	MPIX0MET096	1	REAR CASE HARNESS COVER BRKT	SPCC-1.2t
13	MPIX0MET056	1	MIDDLE REAR CASE LINK OUT BRKT	SPCC-2t
14	MPIX0MET061	2	REAR MIDDLE LINK TOP BRKT	SPCC-2t
15	MPIX0MET057	1	MIDDLE REAR CASE LINK OUT BRKT_mir	SPCC-2t
16	MPIX0MET058	2	REAR MIDDLE CASE SIDE LINK BRKT A	SPCC-2t
17	MPIX0ACR011	1	FRONT BALL PROTECT PC ACRYL	CLEAR PC - 8.0t
18	MPIX0MET117	2	FRONT BALL PROTECT ACRYL SUPPORT BRKT	SPCC-1.6t
19	MPIX0MET118	2	FRONT BALL PROTECT ACRYL FIX BRKT	SPCC-2t