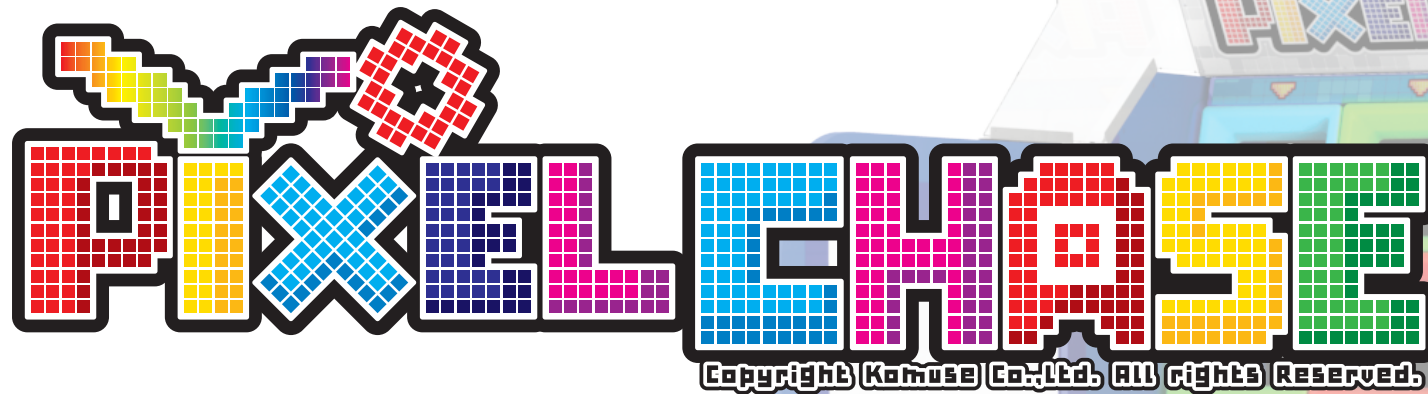


Installation Manual



IMPORTANT

- Please read the manual carefully and keep it in mind before using this machine.
- Put this manual within touch of your reference in anytime.

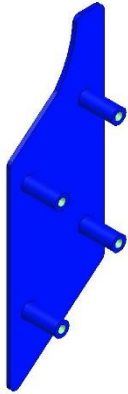
INSTALLATION COMPONENTS

1



FRONT MIDDLE SIDE LINK BRKT (2EA)

2



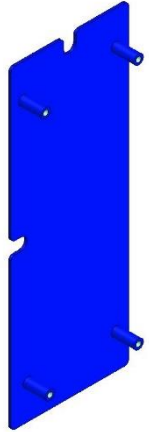
FRONT MIDDLE LINK INNER BRKT (1EA)

3



FRONT MIDDLE LINK INNER BRKT_mir (1EA)

4



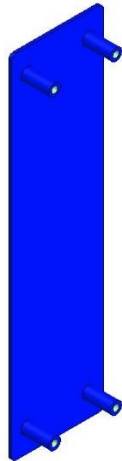
MIDDLE REAR CASE LINK OUT BRKT (1EA)

5



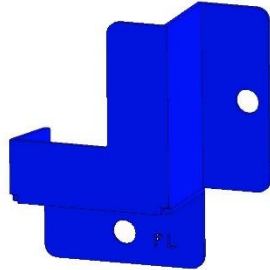
MIDDLE REAR CASE LINK OUT BRKT_mir (1EA)

6



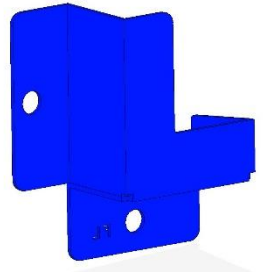
REAR MIDDLE CASE SIDE LINK BKRT A (2EA)

7



FRONT CASE HARNESS COVER BRKT (1EA)

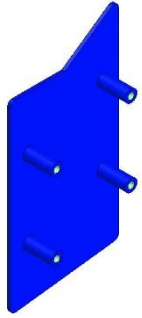
FRONT CASE HARNESS COVER BRKT_mir (1EA)



REAR CASE HARNESS COVER BRKT (1EA)

INSTALLATION COMPONENTS

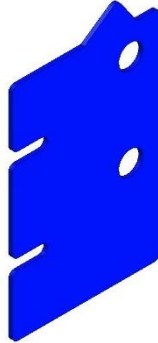
8



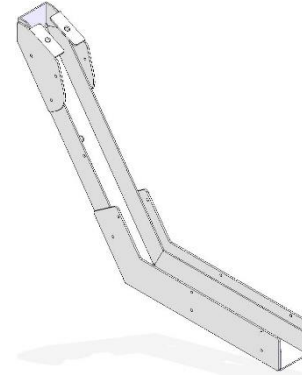
9



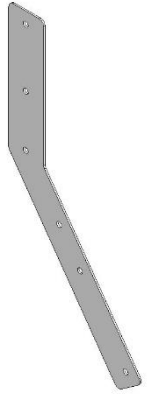
10



11



12



MIDDLE REAR LINK INNER BRKT (1EA)

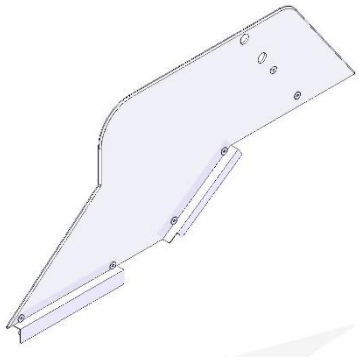
MIDDLE REAR LINK INNER BRKT_mir (1EA)

REAR MIDDLE LINK TOP BRKT (2EA)

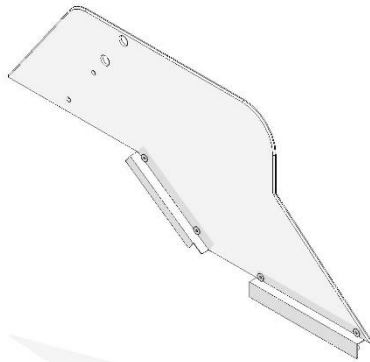
BILLBOARD FIX WELD Ass'y (2EA)

BILLBOARD Ass'y SIDE SUPPORT BRKT (2EA)

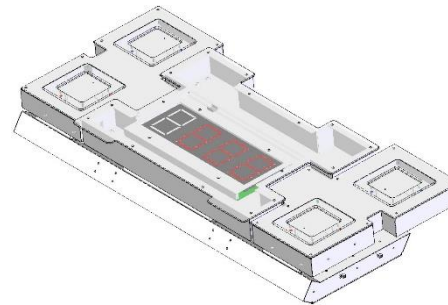
13



14



15



16



M5 BLACK WASHER (16EA)

17



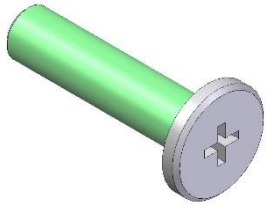
M4 FLAT WASHER (6EA)

BILLBOARD SIDE UPPER BALL STOP Ass'y (1EA)

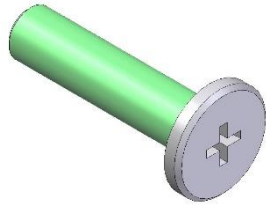
BILLBOARD SIDE UPPER BALL STOP Ass'y_mir (1EA)

BILLBOARD Ass'y (1EA)

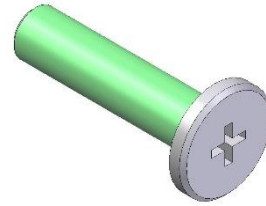
BOLT LIST



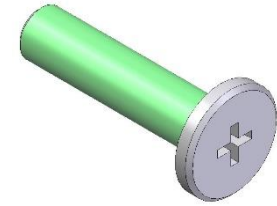
FLAT HEAD BOLT (M5X10L) – 8EA



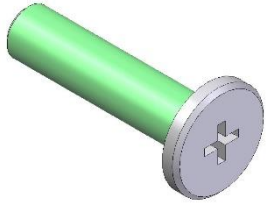
FLAT HEAD BOLT (M5X16L) – 8EA



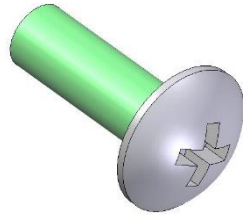
FLAT HEAD BOLT (M5X20L) – 2EA



FLAT HEAD BOLT (M5X25L) – 12EA



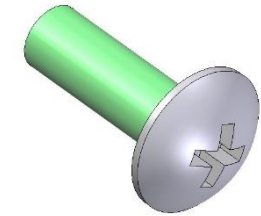
FLAT HEAD BOLT (M6X16L) – 8EA



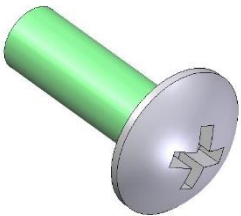
TH BOLT (M4X8L) – 2EA



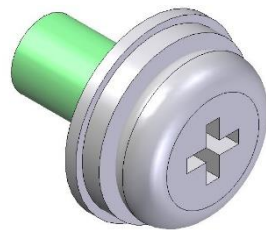
TH BOLT (BLACK COLOR) (M5X12L) – 24EA



TH BOLT (M4X12L) – 4EA



TH BOLT (M4X25L) – 6EA



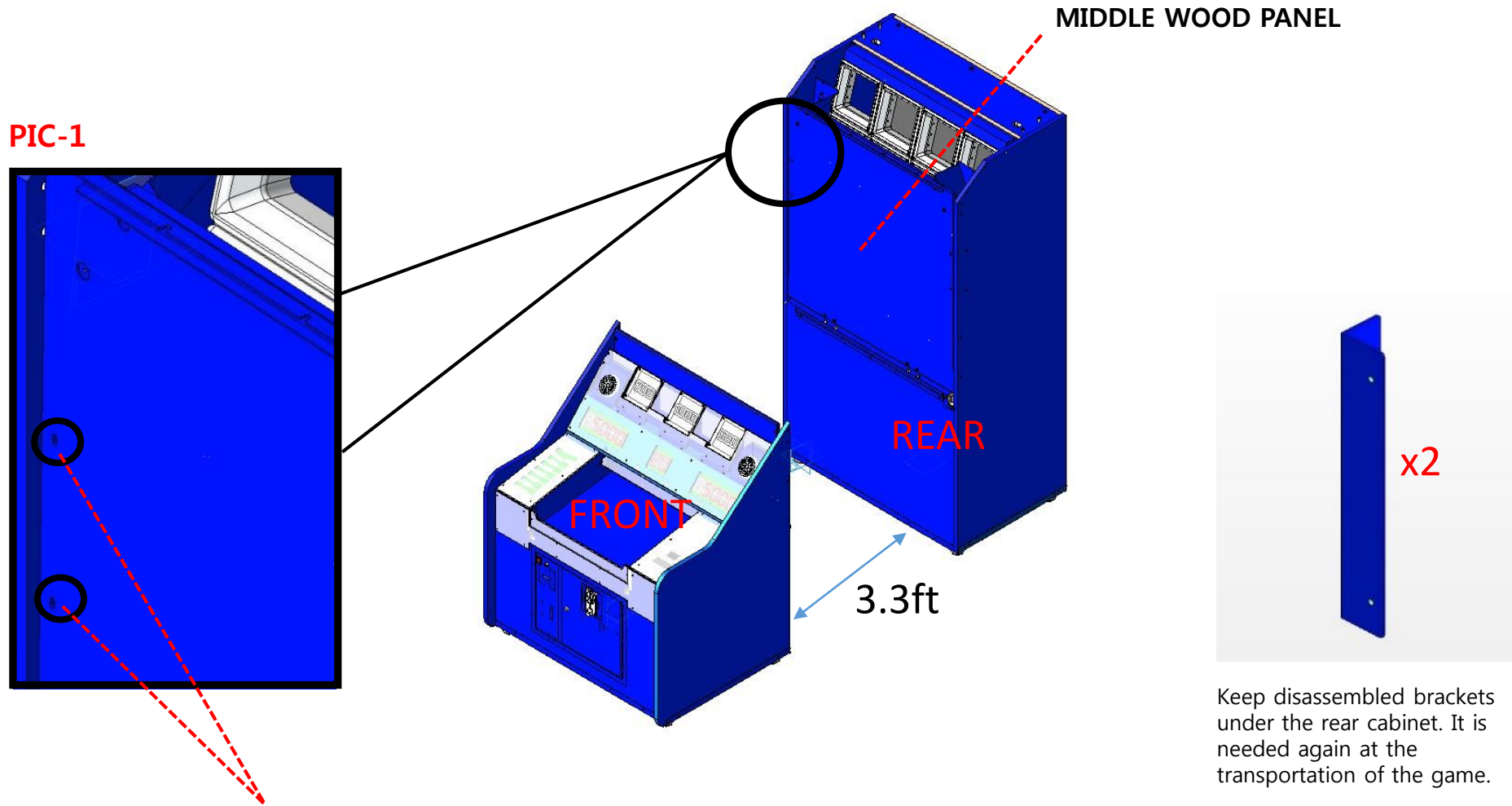
SEMS BOLT (M6X16L) – 6EA

HOW TO ASSEMBLE

STEP 1 : Cabinet Setup

Position FRONT CABINET Assy and REAR CABINET Assy in 3.3ft distance.

Unscrew FLAT HEAD BOLT (M5X25L) to open MIDDLE WOOD PANEL to FRONT CABINET Ass'y.



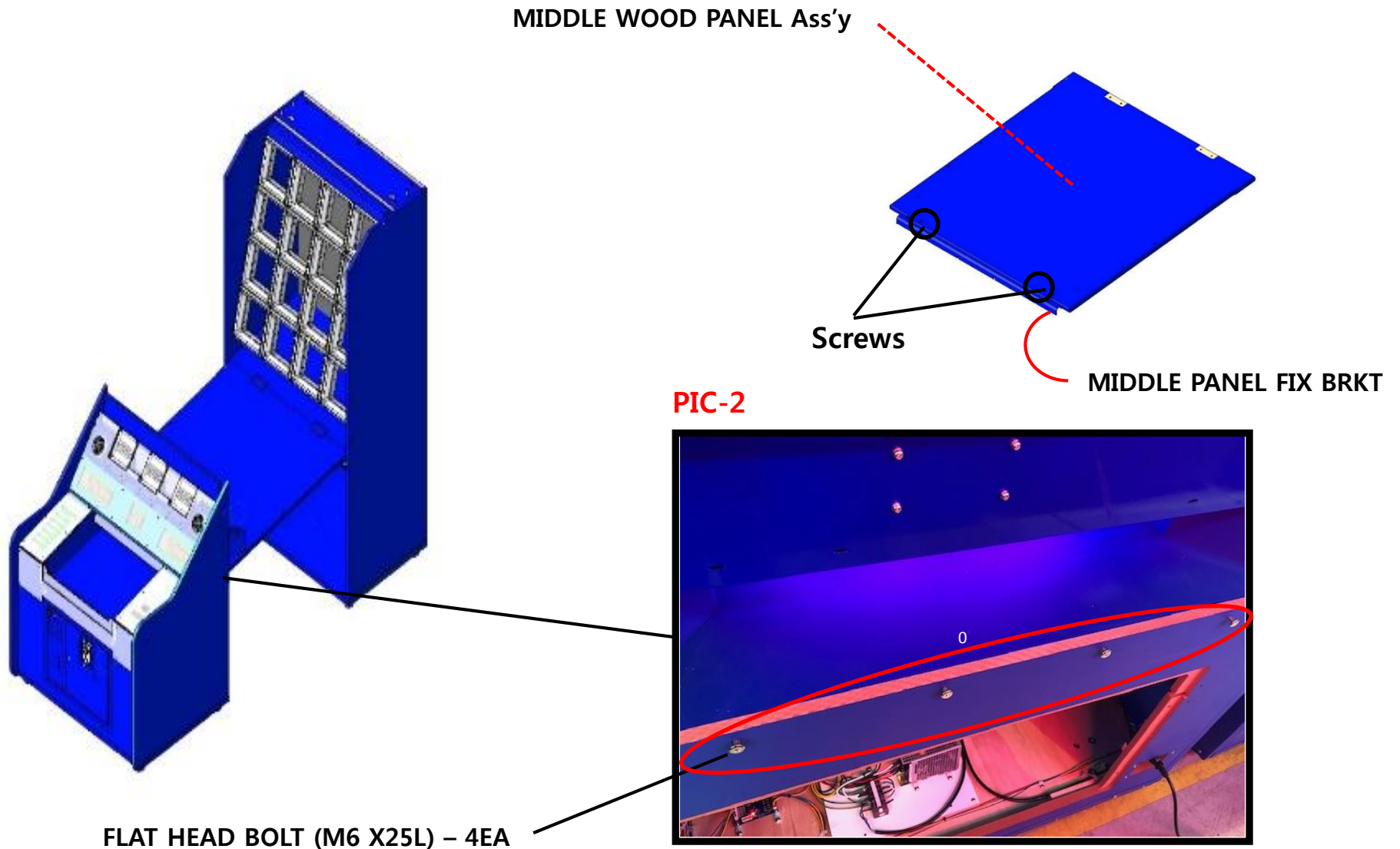
FLAT HEAD BOLT (M5 X 25L) – 2EA

Keep disassembled brackets under the rear cabinet. It is needed again at the transportation of the game.

STEP 2 : Cabinet Setup

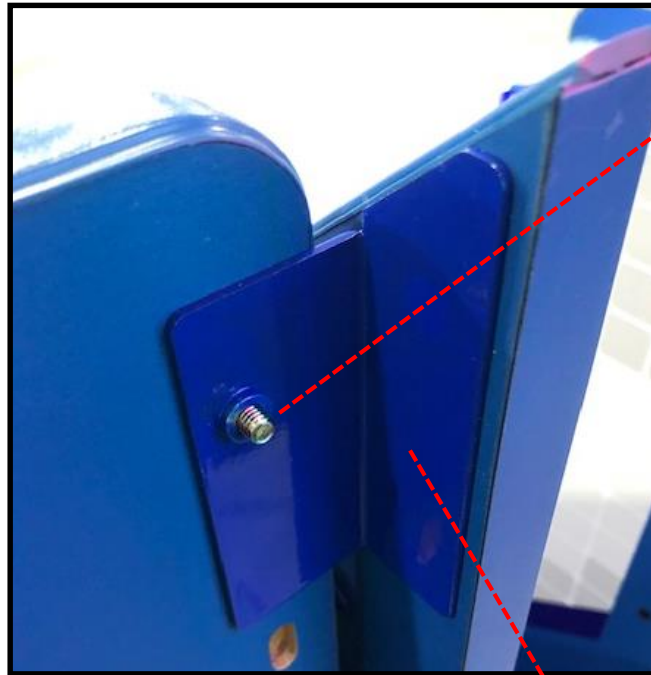
Open the MIDDLE WOOD PANEL and put it onto the 4 Flat head bolt (PIC-2) which are fastened in half already.

Note : Loosen the screws of Middle Panel Fix Brkt slightly so it is easier to put Middle Wood Panels on the Front Cabinet. Do not tighten now.

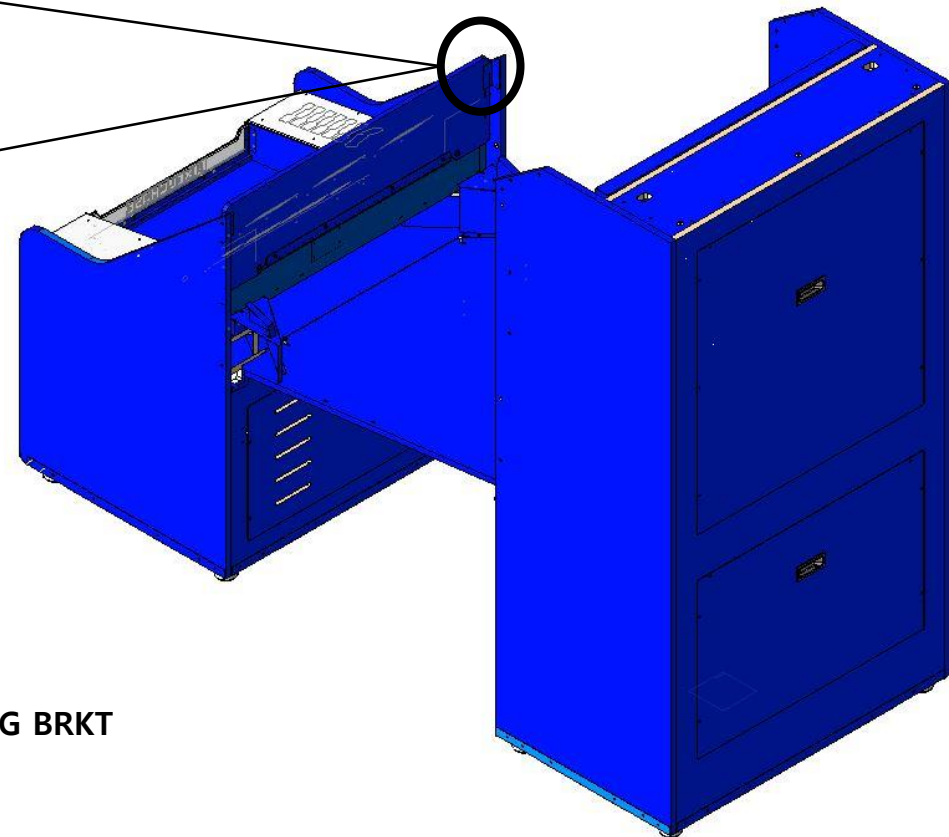


STEP 2-1 : Cabinet Setup

Remove BALL PROTECT PANEL SHIPPING BRKT from both sides. Do not lay down the ball protect panel yet.



Disassembling
Point



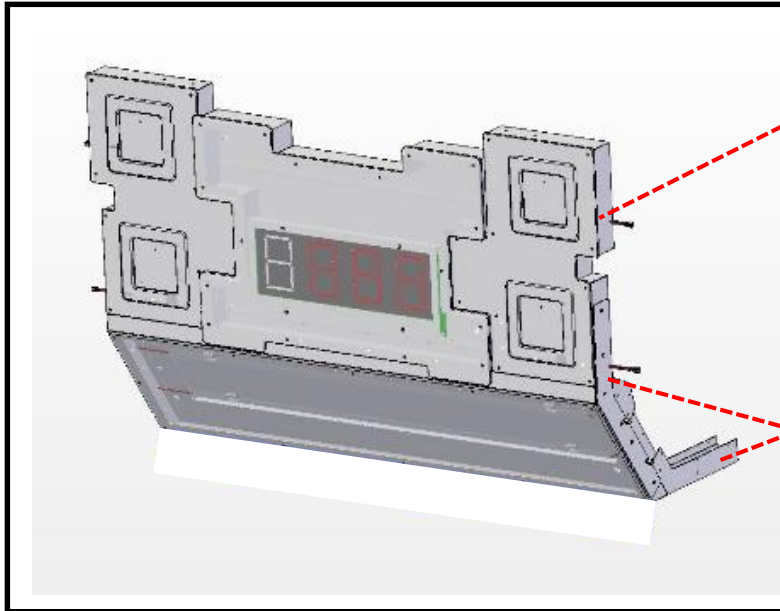
Keep disassembled brackets under
the rear cabinet. It is needed again
at the transportation of the game.

BALL PROTECT PANEL SHIPPING BRKT

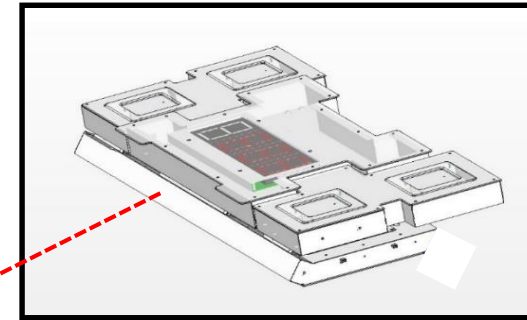
STEP 3 : Install Billboard (1)

Note : Install BILLBOARD FND Assy **before** going to STEP 4.

Components of Billboard Ass'y

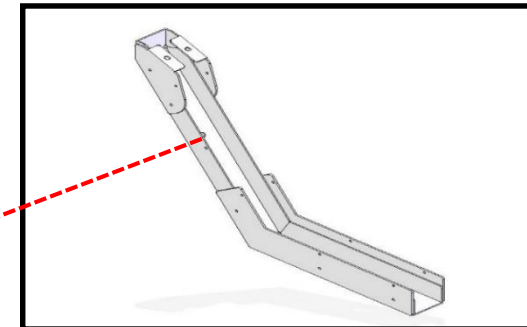


①



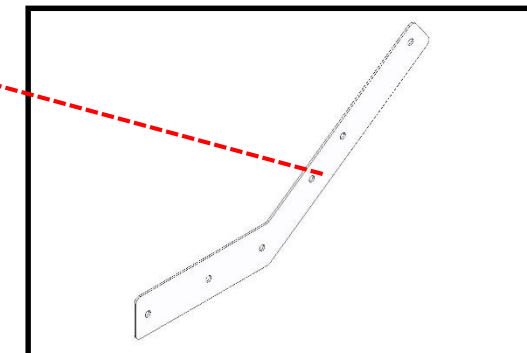
BILLBOARD Assy (1EA)

②



BILLBOARD FIX BRKT WELD Assy (2EA)

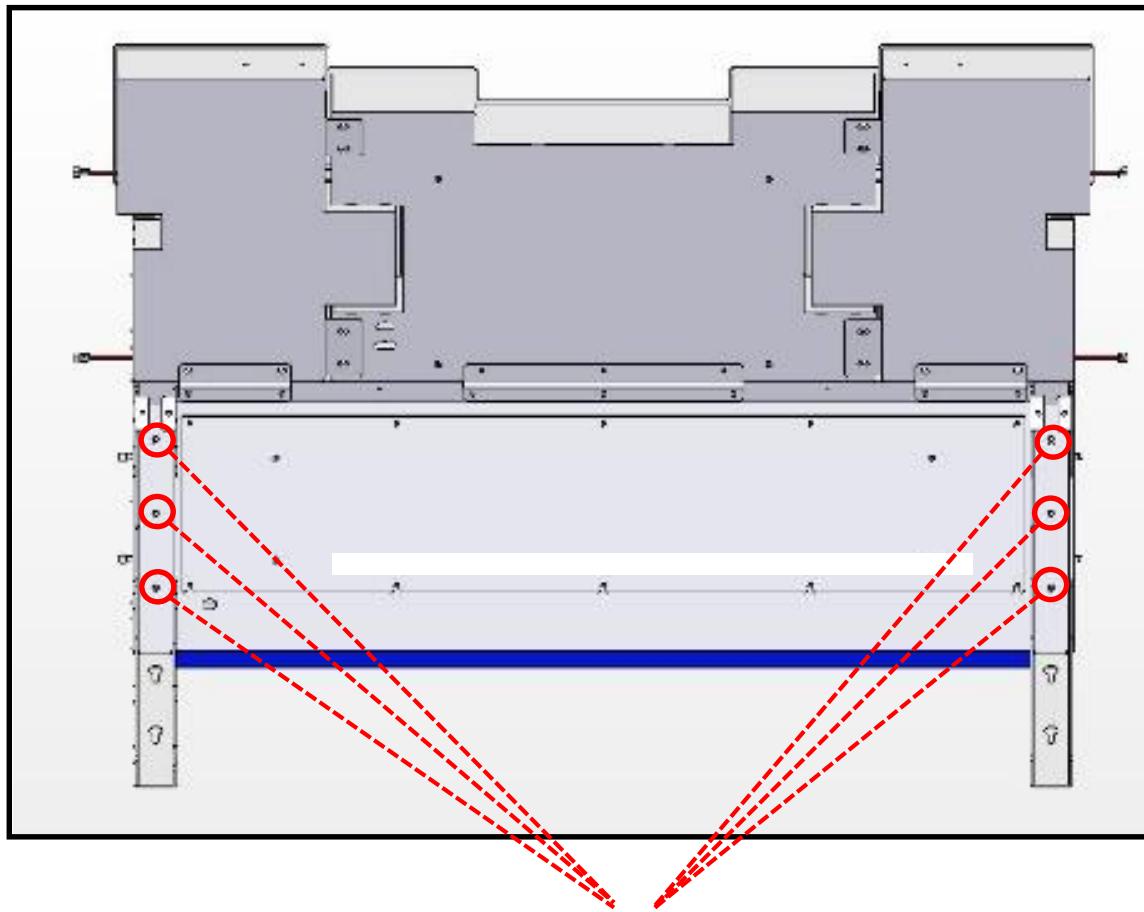
③



BILLBOARD Assy SIDE SUPPORT BRKT (2EA)

STEP 3-1 : Install Billboard (2)

Secure BILLBOARD FIX BRKT WELD Ass'y using 6 SEMS BOLT M6x16L.



BILLBOARD FIX BRKT WELD Ass'y (2EA)

SEMS BOLT (M6 X 16L) – 6EA

STEP 3-2 : Install Billboard (3)

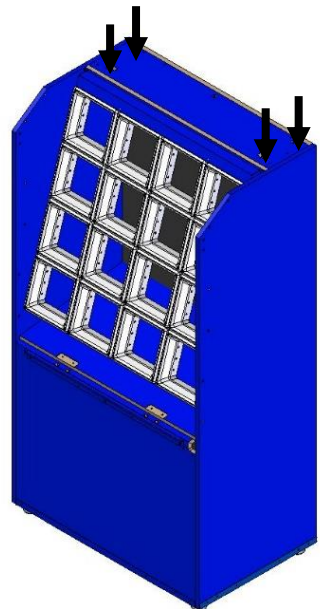
To install Billboard Bonus FND Ass'y, loosen 4 Flat Head Bolt (M6x30L) in half. The bolts are already fastened on the top of the rear cabinet.

And put the billboard on the top of the rear cabinet and push it forward as shown below and then fasten the 4 bolts to secure the billboard.

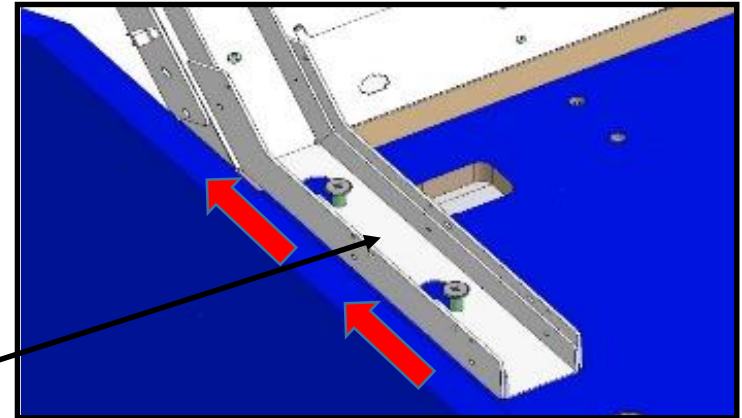
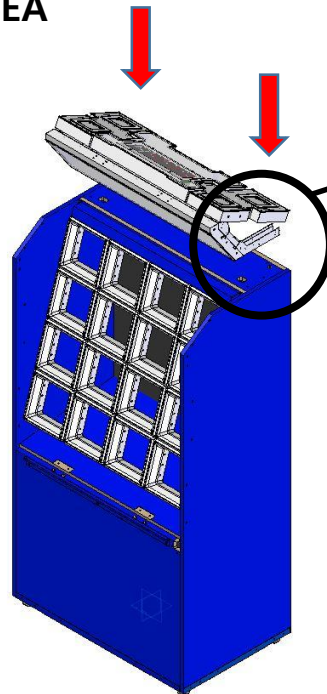
Plug connectors and tie up the wires.

Note!
Billboard is heavy so carefully assemble to prevent it from falling down. This is a three-person job.

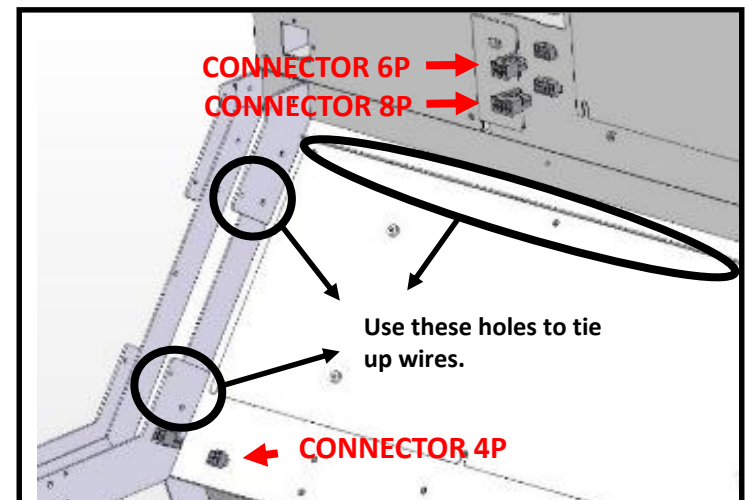
FLAT HEAD BOLT (M6 X35L) - 4EA
Loose them in half.



Fold the billboard to put on the cabinet.
It is easy to work.

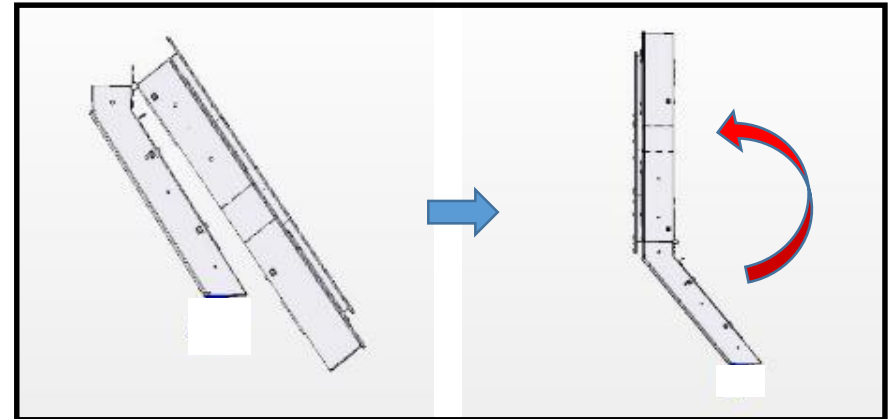
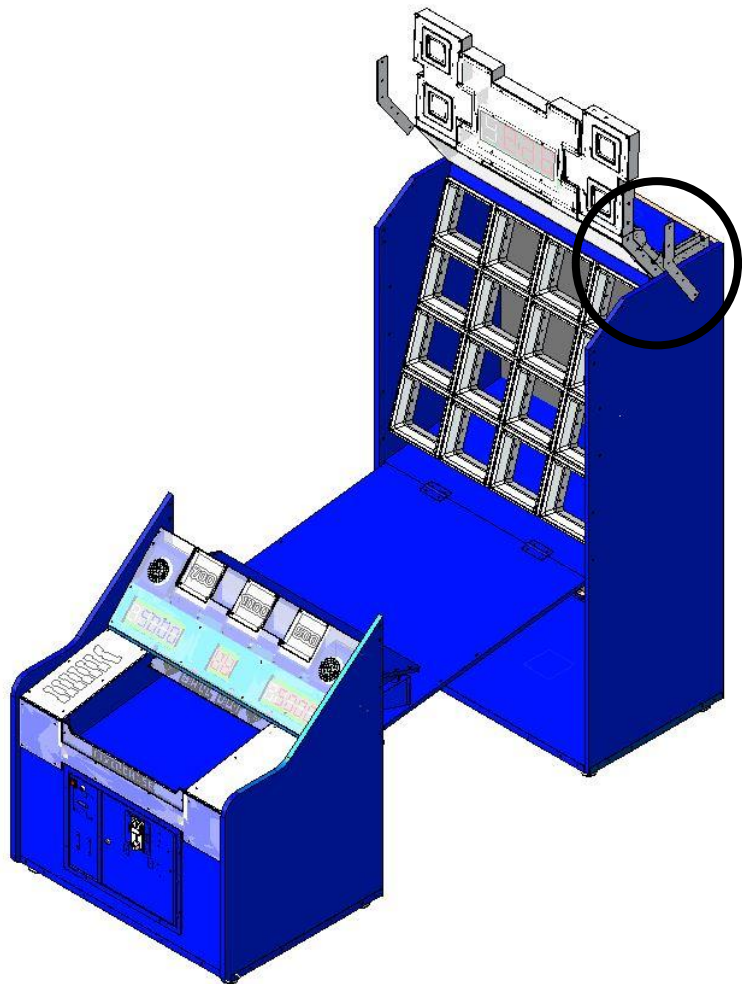


Push forward and secure completely.

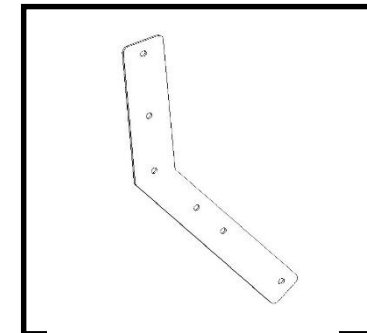
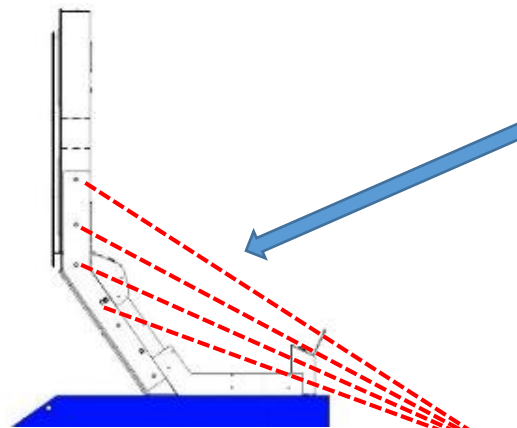


STEP 3-3 : Install Billboard (4)

Unfold the billboard and fix the Billboard Assy Side Support Brkt using 4 Flat Head Bolt (M6x16L).
Fix the opposite side brkt in the same way.



BILLBOARD Assy SIDE SUPPORT BRKT (2EA)

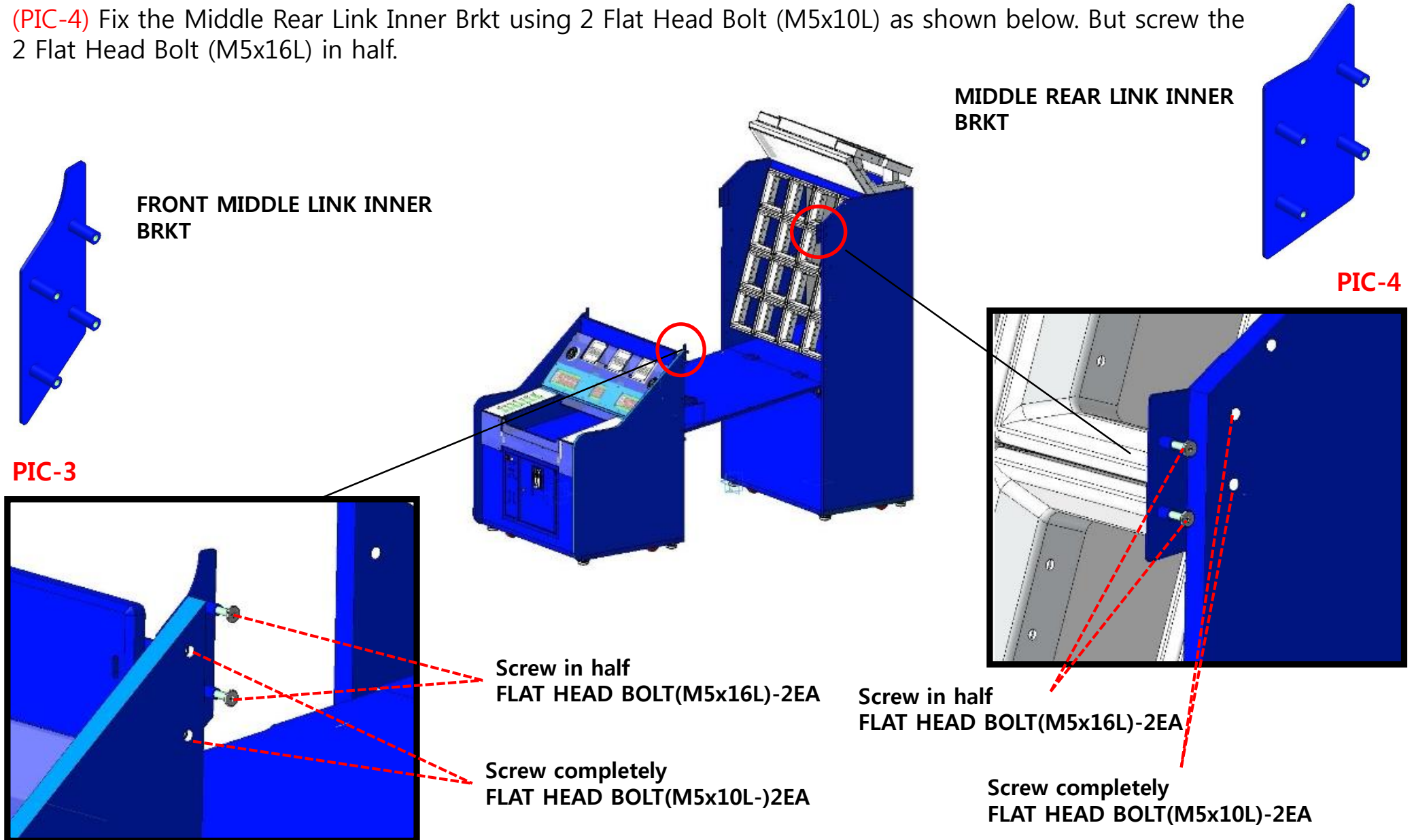


FLAT HEAD BOLT (M6X16L) – 4EA

STEP 4 : Install Side Panels (1)

(PIC-3) Fix the Front Middle Link Inner Brkt using 2 Flat Head Bolt (M5x10L) as shown below. But screw the 2 Flat Head Bolt (M5x16L) in half

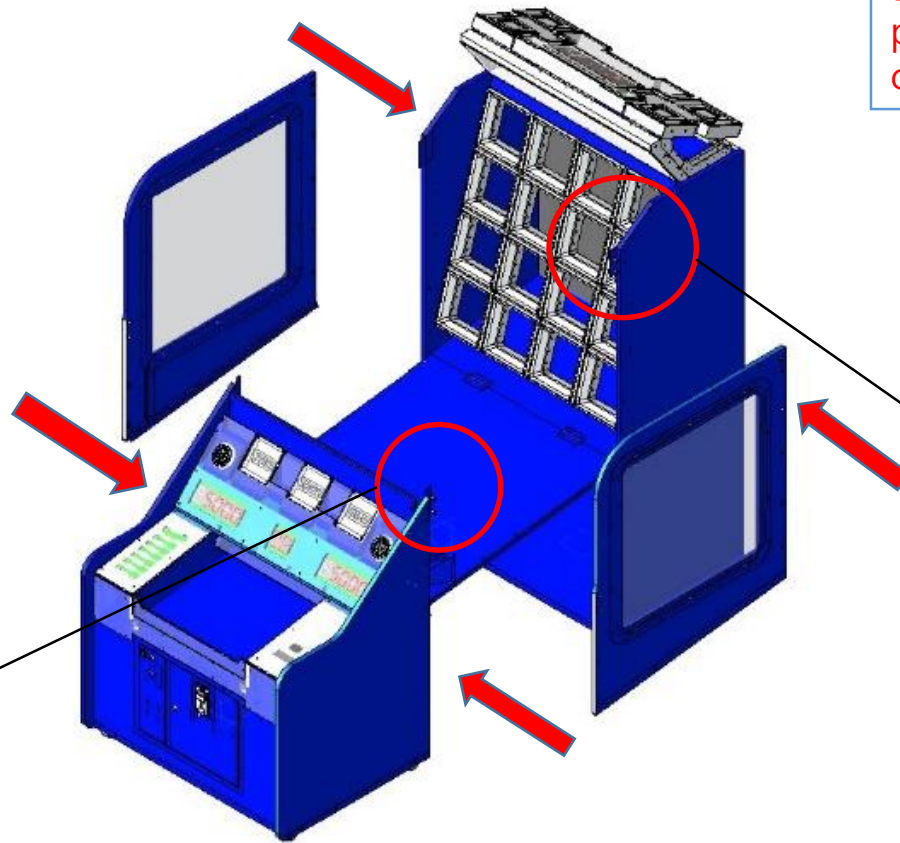
(PIC-4) Fix the Middle Rear Link Inner Brkt using 2 Flat Head Bolt (M5x10L) as shown below. But screw the 2 Flat Head Bolt (M5x16L) in half.



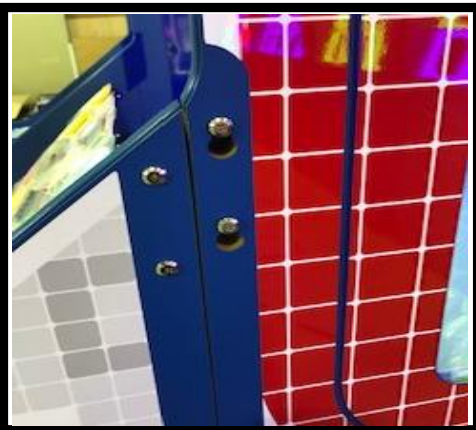
STEP 5 : Install Side Panels (2)

Hang the Middle Side Panel Assy on the bolts as shown at PIC-5 & PIC-6. These bolts were screwed at STEP 4.

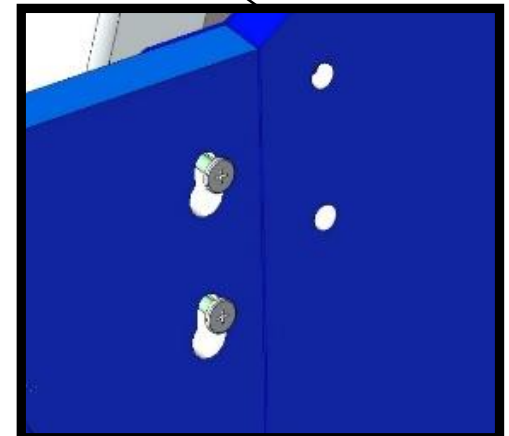
Note!
When install the panels pay attention to the wires from panels which may tear by careless handling.



PIC-5



PIC-6

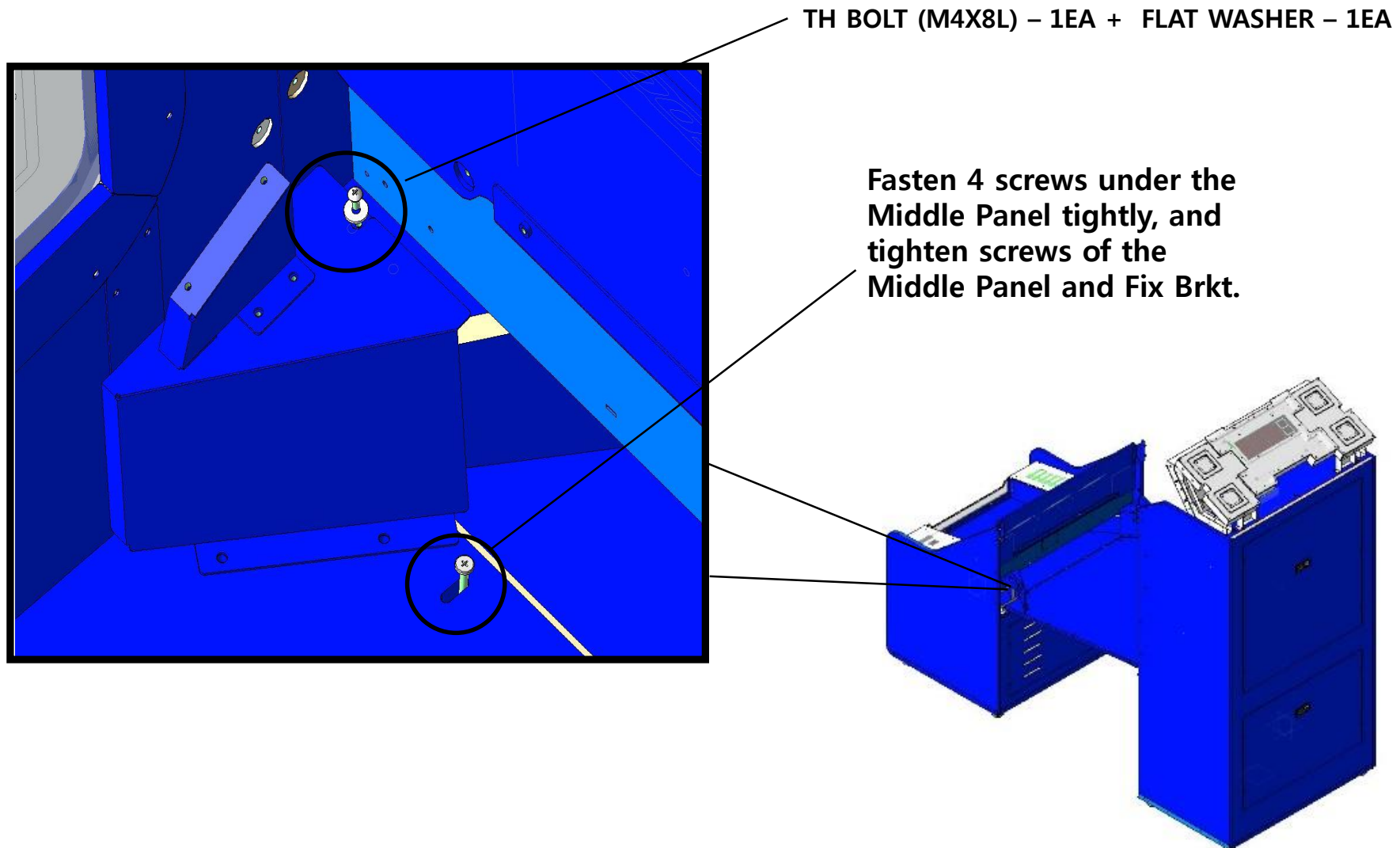


STEP 6 : Install Side Panels (2)

From this step, one person climbs up the Middle Panel and tightens screws from the inside.

Fix the bracket using 1 TH BOLTS (M4x8L) & Flat Washer as shown below. Fix the opposite side brkt in the same way.

Secure the screws now that were not completely fixed at Step 2.

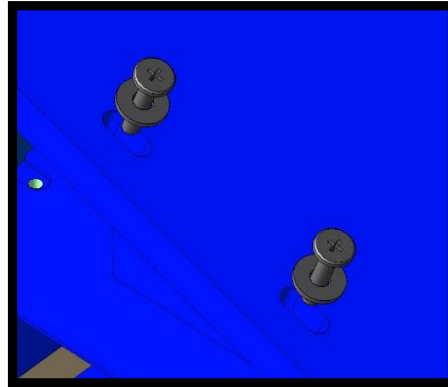


STEP 7 : Secure Ball Protect Panel

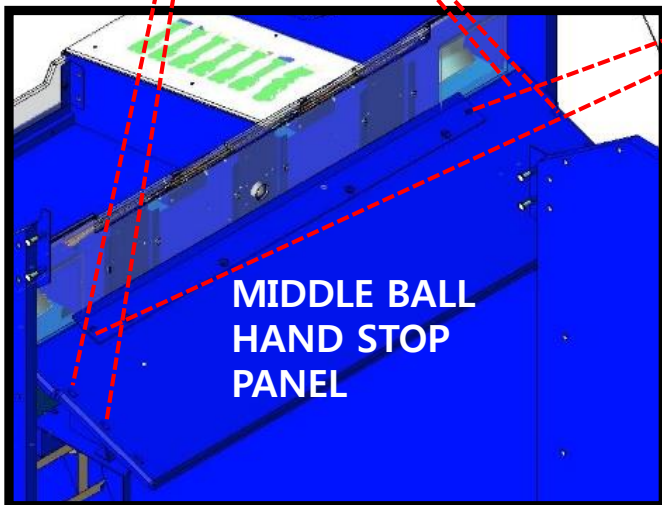
Lay down the Ball Protect Panel and secure it using 4 Flat Head Bolt (M5x25L) & Black Washer.

Fix the Ball Protect Panel Upper Brkt on the **Middle Ball Hand Stop Panel** using 2 Flat Head Bolt (M5x20L)

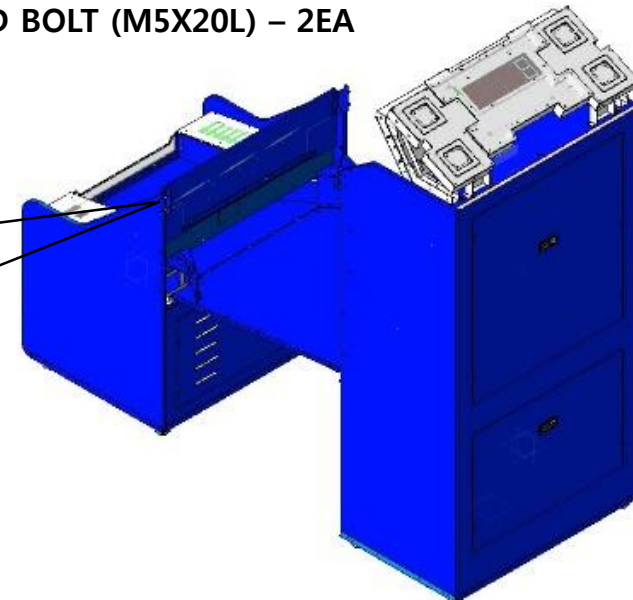
BLACK WASHER – 4EA + FLAT
HEAD BOLT(M5 X 25L) – 4EA



BALL PROTECT PANEL UPPER BRKT
FLAT HEAD BOLT (M5X20L) – 2EA

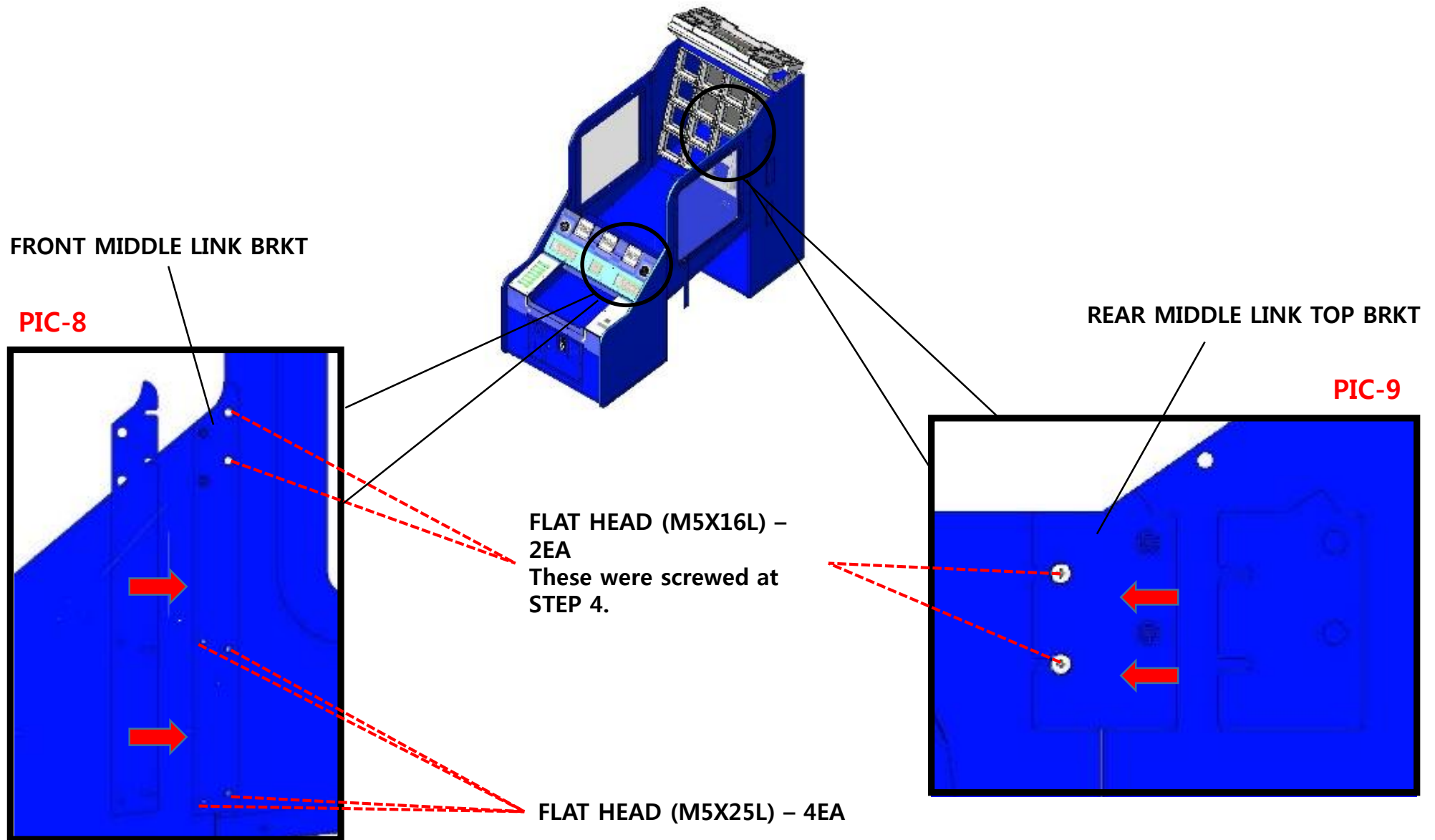


PIC-7



STEP 8 : Secure Side Panels

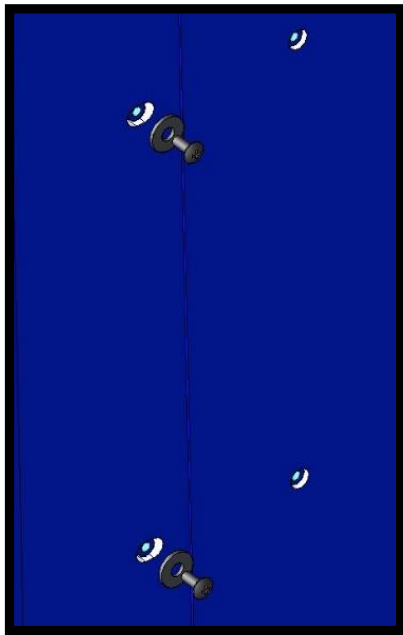
Now secure the brackets to the outside joint of the Middle Side Panels which were hanged in STEP 5.
Refer to PIC-8 & 9 to fix the brackets. Fix the opposite side brkt in the same way.



STEP 8-1 : Secure Side Panels (2)

Insert 2 brackets from the outside the cabinet and fasten the bolts from the inside.
Fix the opposite side brkt in the same way.

Note!
Pay attention to direction of the bracket.

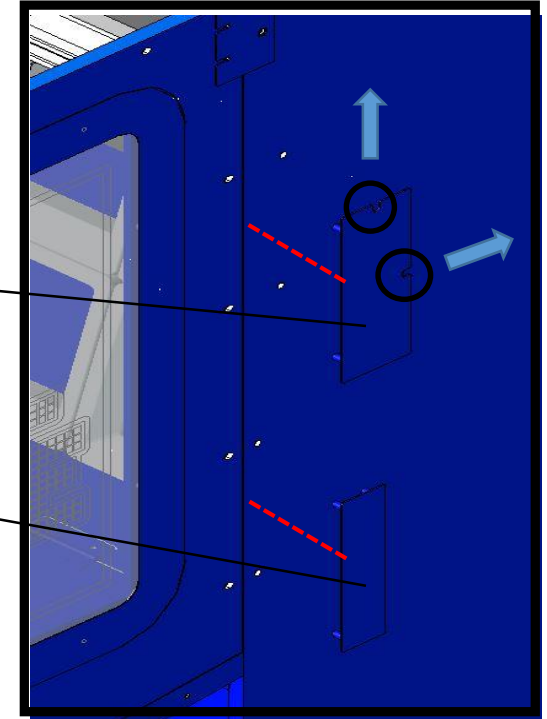


BLACK TH BOLT (M5X12L) + BLACK WASHER - 4EA

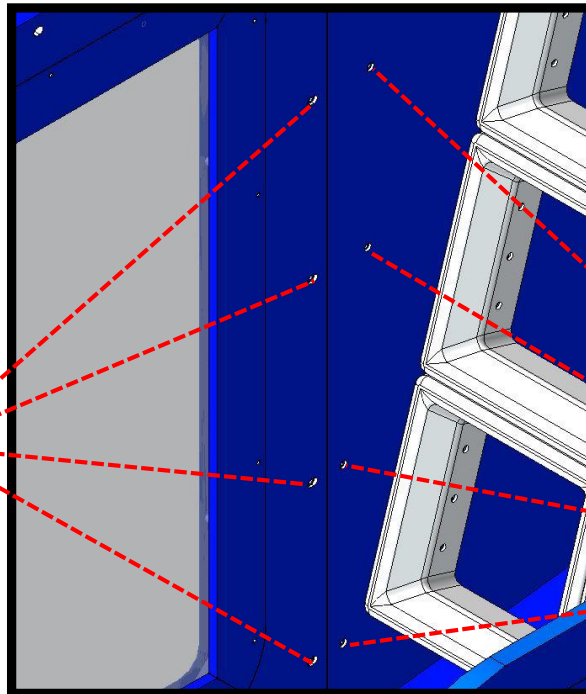
*Use black washer together for these 4 bolt holes.

MIDDLE REAR CASE LINK OUT BRKT

REAR MIDDLE CASE SIDE LINK BRKT



Inside view



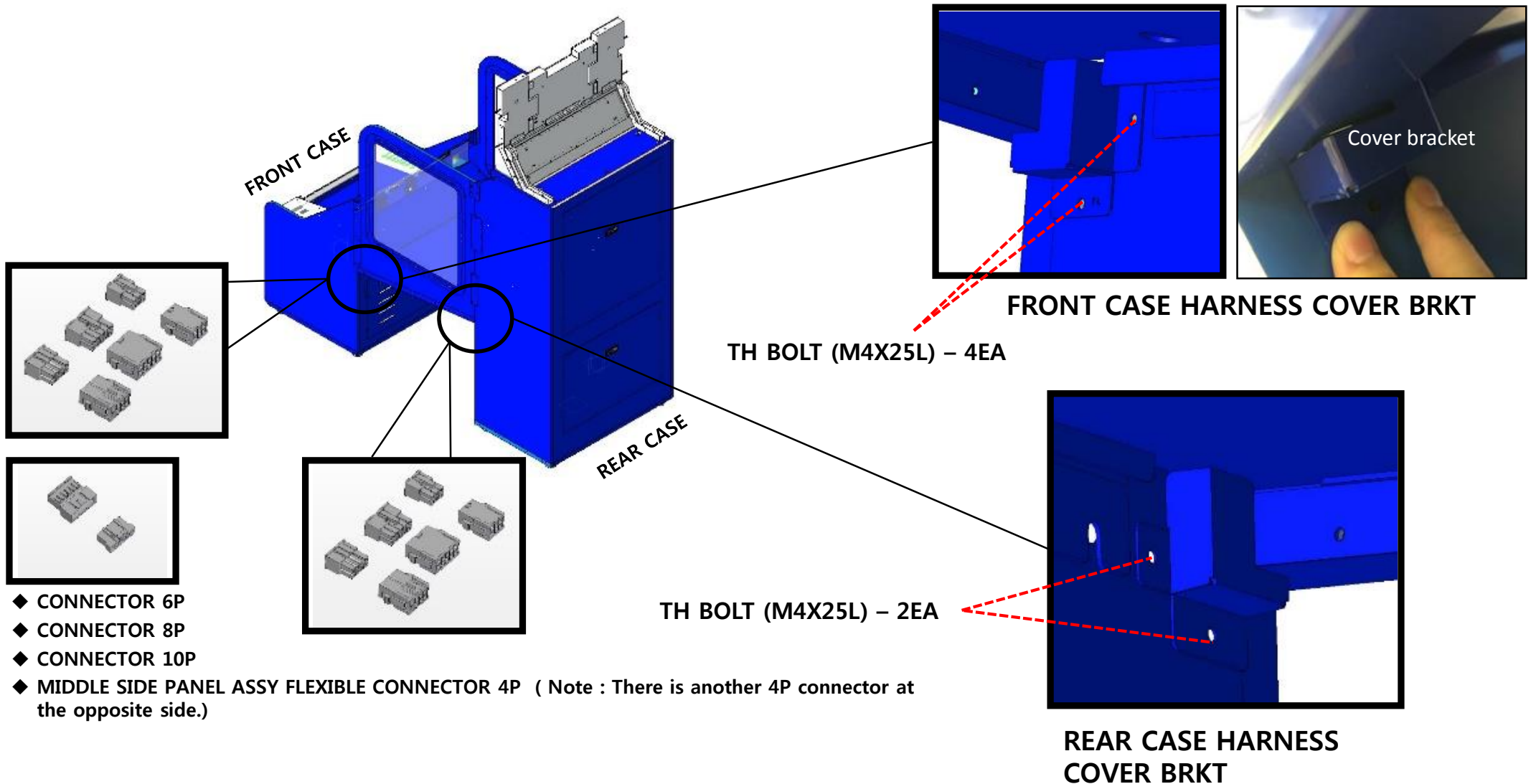
BLACK TH BOLT (M5X12L) - 4EA

STEP 9 : Connect wires

After fixing the Middle Side Panels, connect wires as described below.

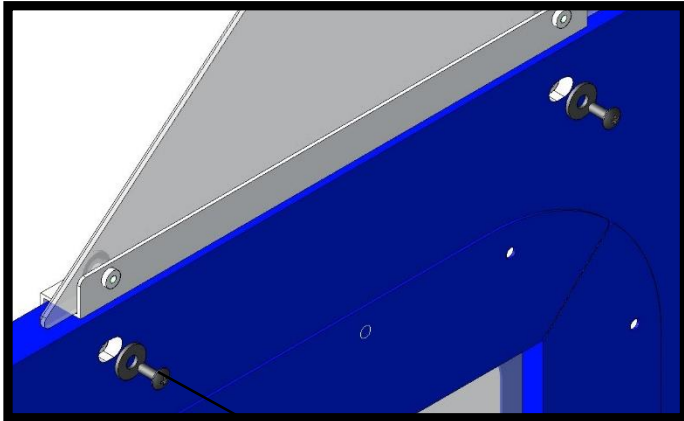
Arrange connected wire harness to put into the holes of FRONT and REAR CASE, and then cover the harness with the cover brackets.

Secure cover brackets using 6 TH Bolt (M4x25L). Fix the opposite side brkt in the same way.

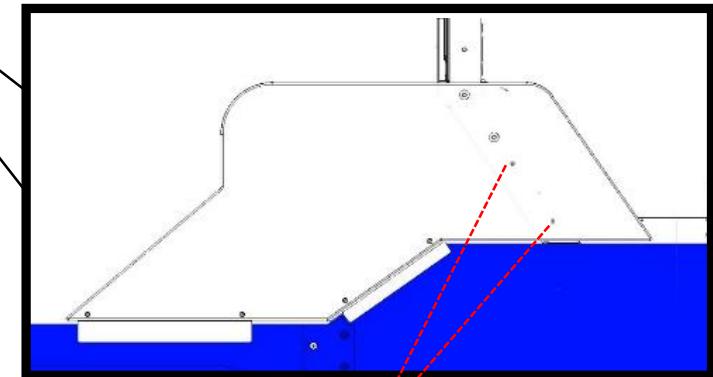
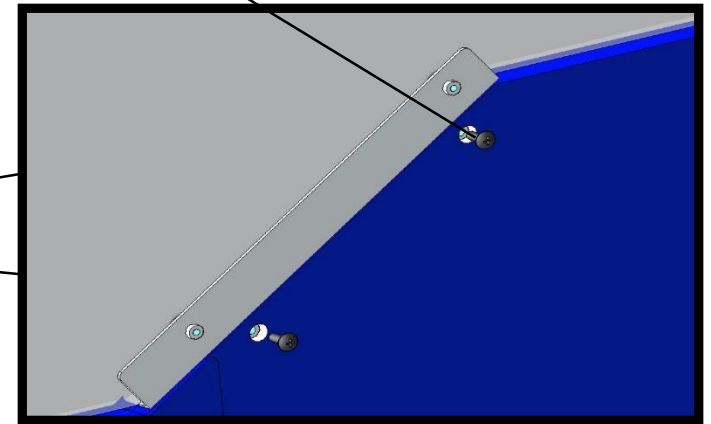
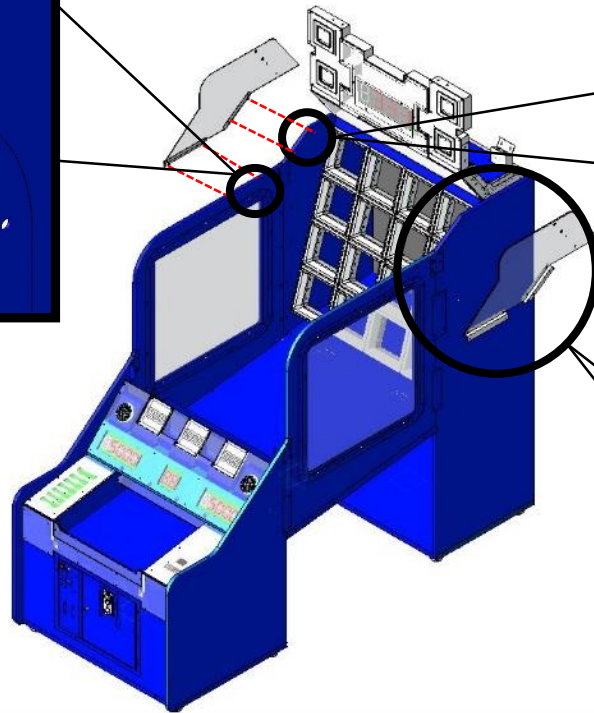


STEP 10 : Install Billboard Side Ball Block Plexi

INNER FIXING POINTS
BLACK TH BOLT (M5 X 12L) -2EA



INNER FIXING POINTS
BLACK TH BOLT (M5 X 12L) -2EA +
BLACK WASHER -2EA



OUTER FIXING POINTS
TH BOLT(M4 X 12L) + FLAT
WASHER – 2EA

WARNING

Install the machine inside, away from direct sunlight. Detection failure may occur if the sensors are exposed to direct sunlight or directly illuminated by lamplight.

RECOMMENDATION

Please put the appropriate number of balls into the machine to let players enjoy the game. The recommended number of balls is 15, but you can adjust the quantity for the needs of your operation.