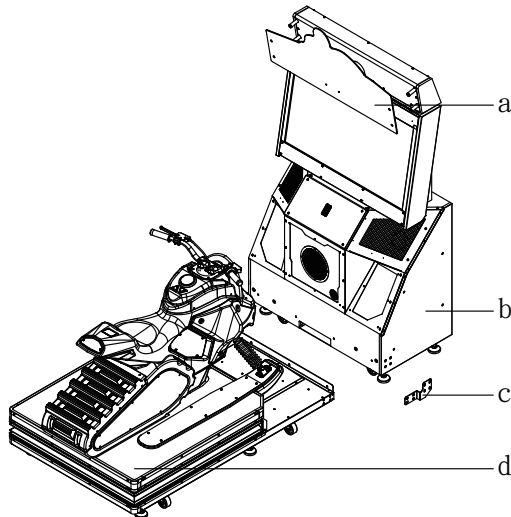
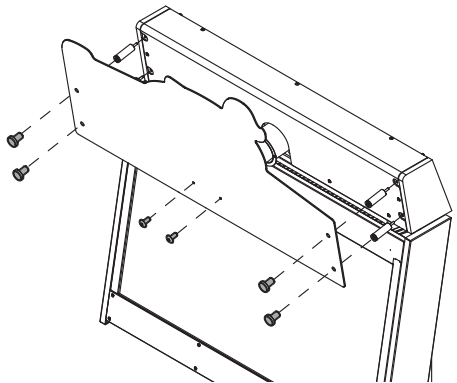


## 2.2 Disassembly and Reassembly Diagram for Transport

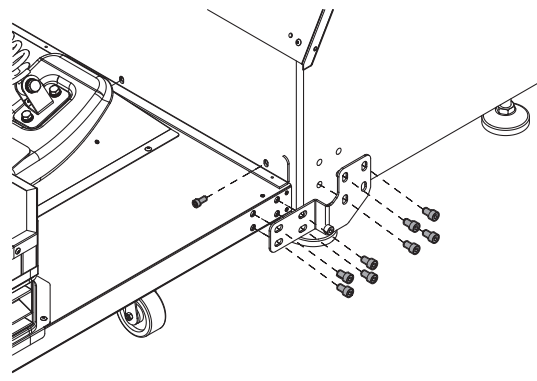


1. According to the diagram, assemble the vehicle body and the screen box. (1P and 2P cabinet can be assembled in the same way.)

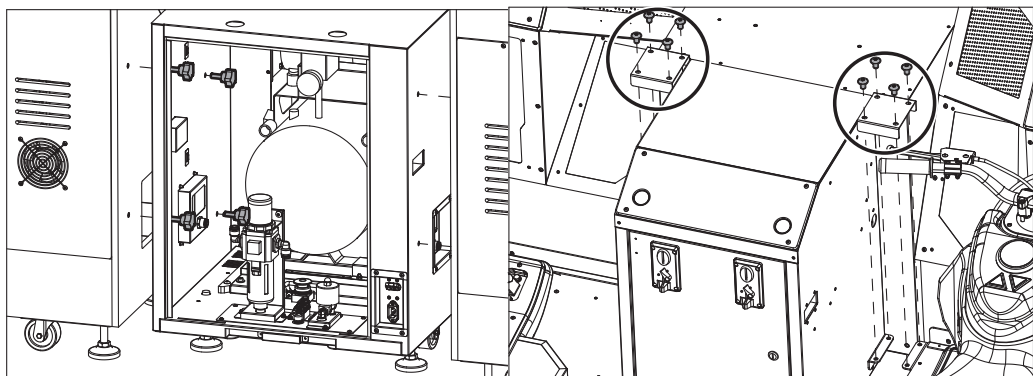
- a. decorative acrylic
- b. screen box
- c. fixing hardware
- d. vehicle body



About the decorative acrylic:  
Install the decorative acrylic on the cabinet according to the diagram.

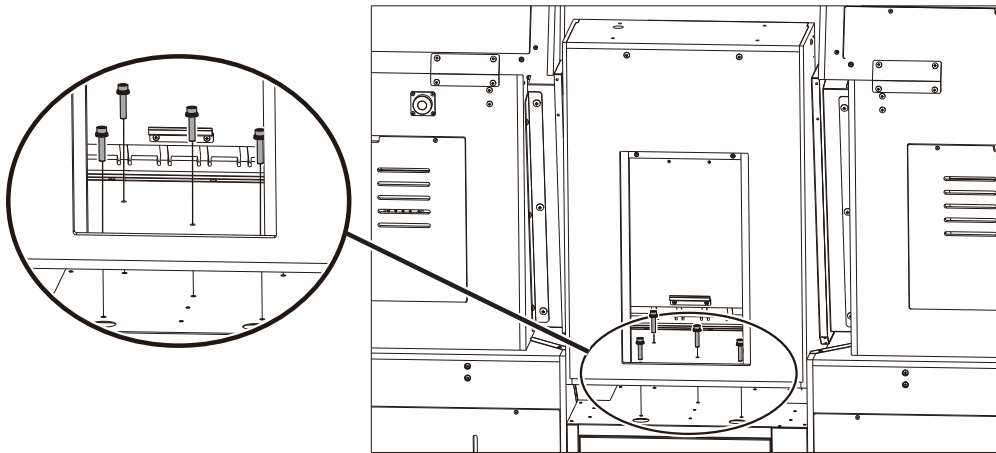


About the fixing hardware:  
When the vehicle body and the screen box are assembled, secure the screws according to the diagram.

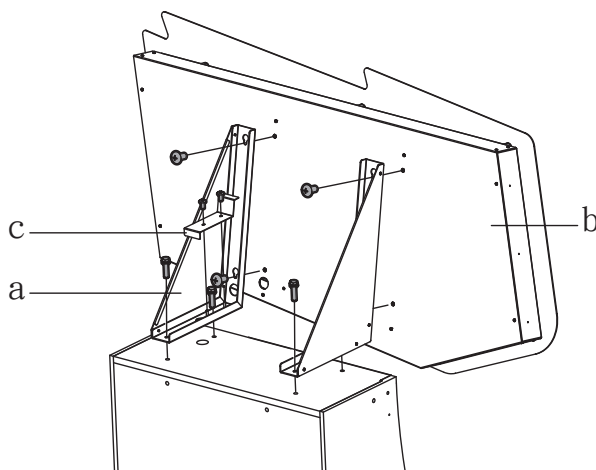


2. Move the 1P and 2P cabinets up against the central connector stand, and then secure with screws from the inner side. (both sides can be secured with the same method)

3. Connect the 2 vehicle bodies to the coin box, and secure with the fixing hardware.

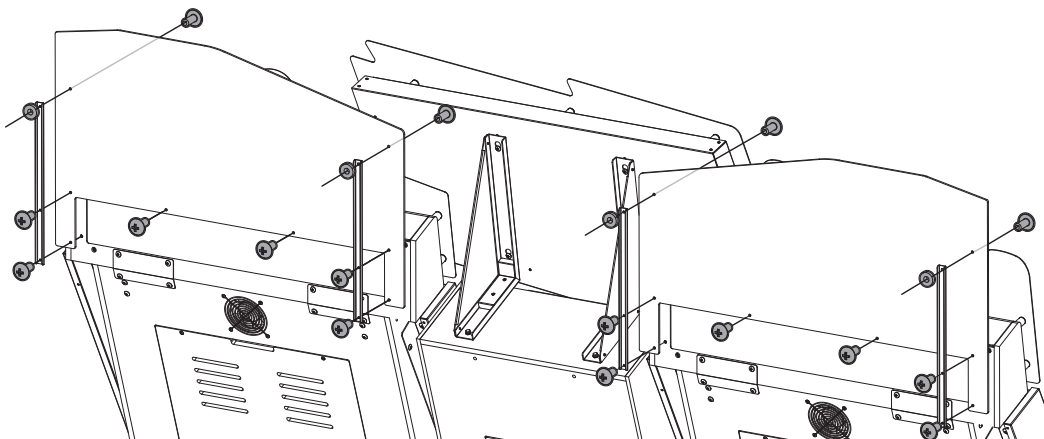


4. Install the springboard to central connector bracket according to the diagram.



5. Install the machine name light box to the springboard according to the diagram.

- a. light box bracket
- b. light box
- c. wire cover



6. Secure the PVC board and the fixing bracket on the cabinet.

## Machine Installation

screen 1P	coin box part		screen 2P
5557-10P tag:pic14(1)/ coin box connector	5559-10P tag:pic14(2)/ coin box connector1P	5559-10P tag:pic14(3)/ coin box connector2P	5557-10P tag:pic14(1)/ coin box connector
YL-6P-P tag:pic13(1)/volume board connector	YL-6P-R tag:pic13(3)/volume board connector	YL-6P-R tag:pic13(3)/volume board connector	YL-6P-P tag:pic13(2)/volume board connector
blue 5557-4P tag:pic15(1)/light box connector1P	blue 5559-4P tag:pic42(1)/light power connector1P	blue 5559-4P tag:pic42(2)/light power connector2P	blue 5557-4P tag:pic15(2)/light box connector2P
5557-6P tag:pic14(1)/ coin box control	5559-6P tag:pic43(1)/1P power control	5559-6P tag:pic43(2)/2P power control	5557-6P tag:pic14(1)/ coin box control

tag:pic16(21) OL board connector A-1P	tag:pic12(11)/ light control board connector 1P	tag:pic16(6)/ OLboard connector B-1P	tag:pic11(1)/ IO board power	tag:pic8(1)/ blue 10V- yellow70V	tag:pic27(11) vibrator connector 1P	tag:pic14(1) coin box connector	<b>screen 1P</b>
5559-16P	5559-12P red	5559-10P	5559-8P blue	VL-4P-R	YL-9P-R	YL-15P-R	
5557-16P	5557-12P red	5557-10P	5557-8P blue	VL-4P-P red	YL-9P-P red	YL-15P-P red	
tag:pic16(1)/ OL board connector A	tag:pic12(2)/ light control board connector	tag:16(1)/ OL board connector B	tag:pic11(2)/ LP-OL-power	tag:pic8(2)/ blue 10V- yellow70V	tag:pic27(2) vibrator connector	tag:pic30(1) coin box connector	<b>vehicle body 1P</b>

tag:pic16(22)/ OL board connector A-2P	tag:pic12(12)/ light control board connector 2P	tag:16(6)/ OL board connector B-2P	tag:pic11(1)/ IO board power	tag:pic8(1)/ blue 10V- yellow70V	tag:pic27(12) vibrator connector 2P	tag:pic14(1) coin box connector	<b>screen 2P</b>
5559-16P	5559-12P red	5559-10P	5559-8P blue	VL-4P-R	YL-9P-R	YL-15P-R	
5557-16P	5557-12P red	5557-10P	5557-8P blue	VL-4P-P blue	YL-9P-P blue	YL-15P-P blue	
tag:pic16(1)/ OL board connector A	tag:pic12(2)/ light control board connector	tag:pic16(1)/ OL board connector B	tag:pic11(2)/ LP-OL-power	tag:pic8(2)/ blue 10V- yellow70V	tag:pic27(2) vibrator connector	tag:pic30(1) coin box connector	<b>vehicle body 2P</b>