

G-3/GS-3

COUNTERTOP COOLER

G-SERIES

FEATURES

- **Exterior Dimensions (WDH):** 18.25" x 20.25" x 34.75"
- **Internal Volume:** 3.48 cu.ft.
- **Footprint:** 2.6 sq.ft.
- Dynamic LED Lighting In Door Provides Enhanced Product Illumination While Greatly Reducing Energy Consumption
- Forced Air Refrigeration System For Fast Product Temperature Pull Down
- Optional Side Decals for Branding Awareness
- High Density Environmentally Friendly Insulation
- Climate-Friendly Natural Refrigerant
- 2 Adjustable Powder-Coated Metal Shelves
- Double-Paned, Low "E", Self-Closing Glass Door
- Standard Locking Mechanism Built-in for Security When Needed
- Durable Pre-Painted, Chip Resistant, Steel Cabinet
- Heavy-Duty, NSF Approved, Interior Liner
- NSF Approved Interior Analog Thermometer Allows Packaged Perishable Foods to be Merchandised Safely
- Adjustable Temperature Control
- 9' Heavy Duty Power Cord



Available with
High Visibility LED
Illuminated Logo
in Door

CERTIFICATIONS

110-120V/60Hz



- UL471
- NSF/ANSI-7: Type 2 Display Refrigerator
- ENERGY STAR® Qualified



(847) 439-9400 | avskompanies.com | sales@avskompanies.com

G-3/GS-3

COUNTERTOP COOLER

TECH SPECS

Refrigerant	R600a
Amps	.78A
Volts/Hz	110-120V/60Hz
Compressor HP	1/6

DIMENSIONS

Exterior (WDH)	18.25" x 20.25" x 34.75"
Interior (WDH)	15" x 11.625" x 30.5"
Upper Shelf (WD)	14.25" x 11"
Lower Shelf (WD)	14.25" x 9.75"
Internal Volume	3.48 cu. ft.


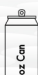



Available with High Visibility LED Illuminated Logo in Door

SHIPPING SPECS

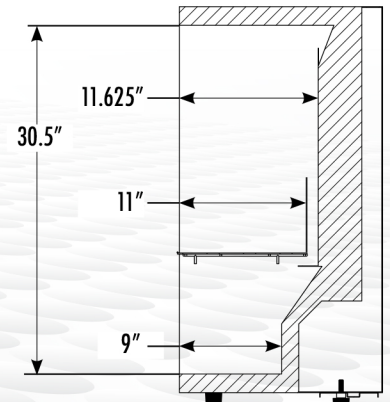
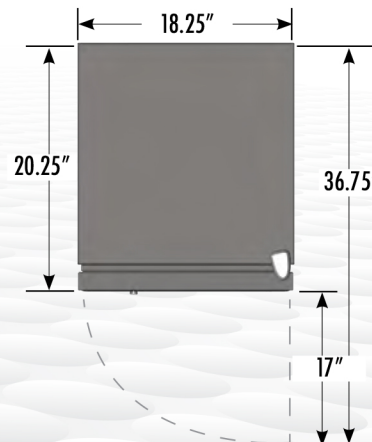
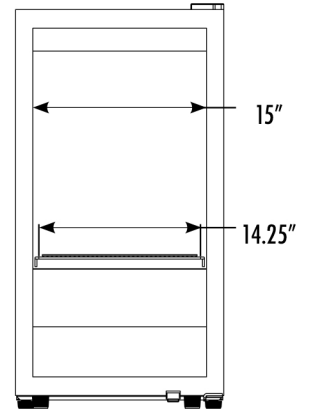
Gross Weight	102 lbs
Net Weight	93 lbs
Carton Dims (WDH)	20" x 22.5" x 37.25"
Units per Pallet	8
Shipping Options (Floor Loaded)	20' ~88 40'HQ ~184 53' ~208

PACKOUT CAPACITIES

	Facings	Deep	Total Capacity	Total Rows
	3 Shelves	5 x 4	= 75*	4
	Base	5 x 3		
	3 Shelves	5 x 4	= 75*	4
	Base	5 x 3		
	2 Shelves	5 x 4	= 55**	3
	Base	5 x 3		

EXTERIOR DIMENSIONS

INTERIOR DIMENSIONS



* Additional shelves, beyond what is supplied with the cooler, may be required to achieve this maximum pack-out.
 ** 20oz pack-outs may vary depending on package size.



(847) 439-9400 | avskompanies.com | sales@avskompanies.com