

ENCHANTING

Opportunities ahead.



2
PLAYER

6
PLAYER



Emerald City™ Edition

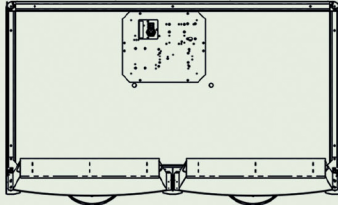


Elaut-Group.Com

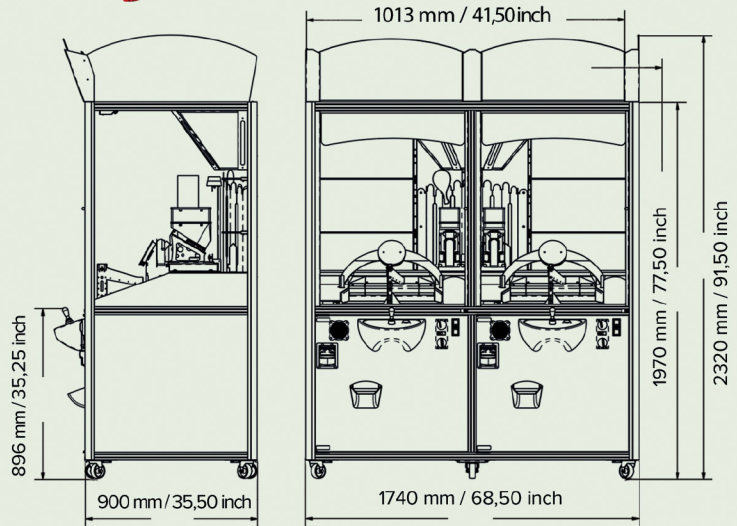
The vibrant emerald glow of Emerald City will shine brightly for all fans worldwide.



2 Player



- 230 V / 110 V 50Hz, 324Watt
- Weight = 370 kg / 816 LBS



BONUS FEATURE

The coin field, offers collectibles tokens or tokens that can be redeemed for tickets.



NEW SERIES COLLECTOR CARDS

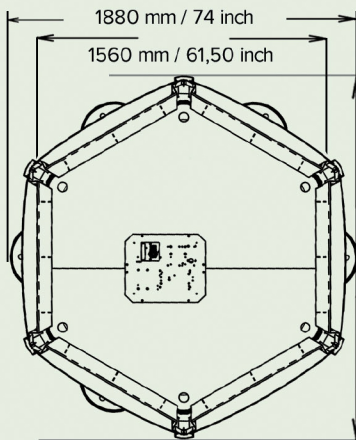
Enhance revenue and excitement players, with character card series.



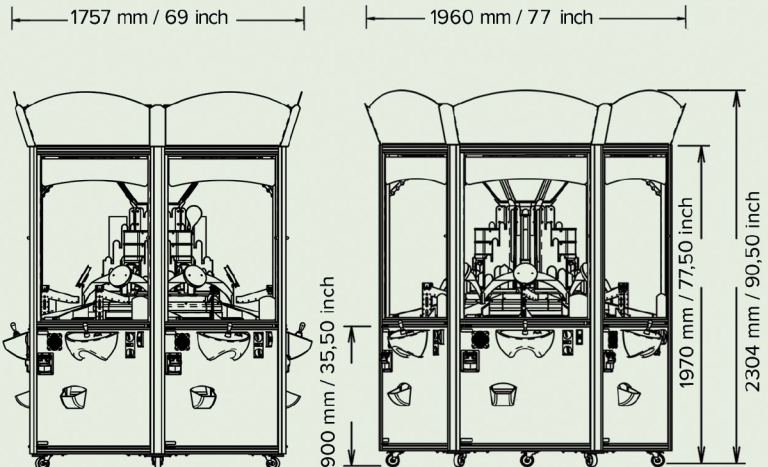
MOTION PICTURE CHARACTERS AND THEME

Emerald City's vivid glow, iconic characters, and theme, come to life.

6 Player



- 230 V / 150 V 50/60Hz, 1015Watt
- Weight = 650 kg / 1433 LBS



ELAUT reserves the right to alter specifications without prior notice. "Certain features of the depicted product protected by patent and/or design rights in several countries. The named trademarks are owned by ELAUT NV, c and registered in one or more countries. "the IP rights concerned can be consulted on www.ela.com/ip/psum



www.avscountries.com
(847) 439-9400 | sales@avscountries.com



Elaut-Group.Com

Printed Nov/2023