

ESM28HCTDHL

SST XT/BLACK IN

Cold Space Merchandiser™

With Health Lock Timer



Integrated Health Lock



Specifications

Width*	Depth**	Height***	Shelves	Interior Cubic Volume	Ship Weight	Ship Cube	Cooling Capacity	Electrical
30 1/2" 775 mm	31" 788 mm	78" 1982 mm	6	24.08 ft³	362 lbs 164 kg	49 cu. ft 1.39 m³	1/4 HP	115V/3.7 Amp/60 Hz - Single Phase NEMA 5-15P, Dedicated circuit
Flat Shelf 20oz/600ml				Gravity GlideSet™ 20 oz /600ml			Trailerload Quantity (53')	
378 (Packout) Regular Shelves 432 (Packout) Extra Deep shelves			9 (Facings)	378 (Packout)		9 (Facings)	57	

** Add 1 1/2" (39mm) for Handle. *** Add 3/8" (10mm) for Threaded-In Levelers. Millimeters rounded up.

Premium Features



Automatic Stainless Steel
Condensate Control System



Cassette®
Refrigeration



Free & Clear
Condenser Coil



HABCO
Insulated Glass



Priority AirFlow



LED



Front Breathing
Refrigeration

ESM28HCTDHL: Optimized merchandising experience with Health Timer Lockout function to prevent access to spoiled food.

Intelligent Health Lock Timer:

- Intelli-Lock System – designed to automatically activate if temp within storage compartment rises above NAMA standard of 41°F (5°C) for 30 minutes.
- Integrated battery backup allows for continuous monitoring and locking during power outage.
- Restocking Mode – Extends the health lock timer by 30 minutes to avoid nuisance lock outs following restocking mode. Simply press the Up and Down arrows on the digital controller. After one hour the controller and lock will return to standard operational settings.
- Dual Temperature Probes – Glycol bottle probe ensures most accurate representation of core product temperature and maintains a tight temperature range while standard air temperature probe monitors ambient cabinet temperature, meeting health code requirements.

Refrigeration:

- Self-contained Cassette® forced-air refrigeration employs R290 hydrocarbon Natural Refrigerant within a sealed capillary tube system.
- Cassette® refrigeration is bottom-mounted and removable from the front for ease of maintenance. Refrigeration may be exchanged or upgraded without mechanic. Designed to hold 33°F to 38°F (0.5°C to 3.3°C).
- Priority, directed air flow provides optimum cooling and energy efficiency within cabinet and exclusively at front of unit for optimized heat exchange ventilation.
- Finless, **Free&Clear™** Condenser Coil maximizes air-flow over the compressor, reduces energy consumption and is non-clogging.
- Automatic, stainless steel condensate control system.
- Peak performance with EC motors designed for energy savings and superior performance.

Cabinet:

- Exterior –Stainless steel front and side.
- Interior – NSF approved black aluminum liner with stainless steel floor.
- Ergonomic raised interior floor.
- Space Saving Design – air ventilation exclusively from the front of unit.
- Insulation – cabinet is foamed-in-place with eco-conscious, polyurethane insulation.
- Heavy duty thread-in leveler legs.

Doors:

- Self Closing Swing Doors feature hold-open position, spring back protection.
- Reversible on-location.
- Magnetic gaskets are single piece bead-mount construction easily removable for cleaning.
- Heat Reflecting HABCO Insulated Safety Glass with black extruded frame.
- Integrated, injection molded pocket handle(s).

Lighting:

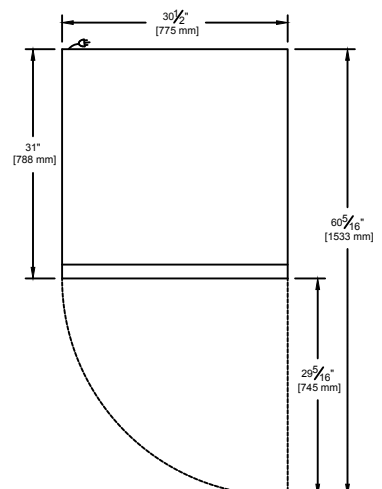
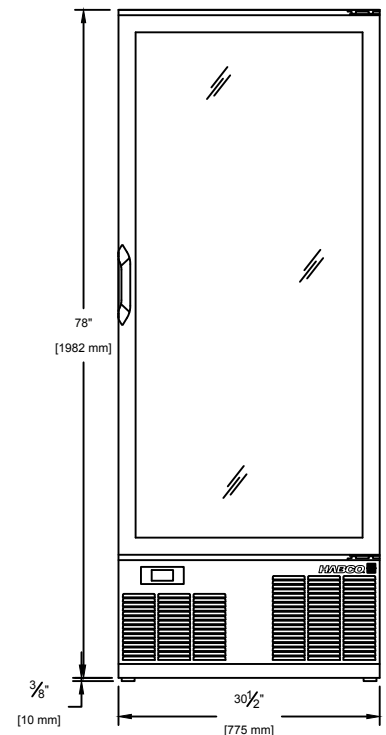
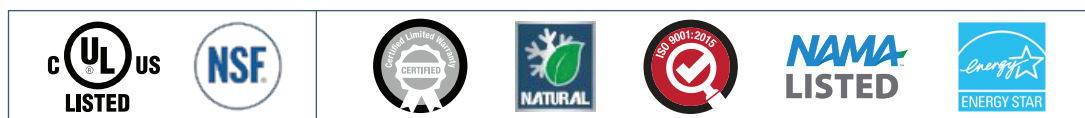
- Energy Efficient Full LED Array Lighting System for crisp illuminated display of products.

Storage:

- Six (6) black coated shelves 26 1/4"W x 22"D (667mm x 559mm), are NSF approved.
- Heavy duty aluminum shelving pilasters will not peel or chip adjustment of 1/2" (13mm) increments.
- NSF-7 compliant for storage or display of pre-packaged aseptic product.

Electrical:

- Factory power cord installed for connection to a sole-use (dedicated) 115V/60Hz/1-Phase, 15 Amp circuit.



©2017 HABCO Manufacturing Inc. HABCO is a registered trade mark of HABCO Manufacturing Inc. in Canada, USA, U.K. and Germany. HABCO logo design, Built to Perform. Crafted to Last. and CASSETTE are registered trademark of HABCO Manufacturing Inc. in Canada and U.S.A. Additional trade marks may be employed by HABCO and have been duly noted with respective registration mark or trade mark symbol. DOMESTIC AND INTERNATIONAL PATENTS.