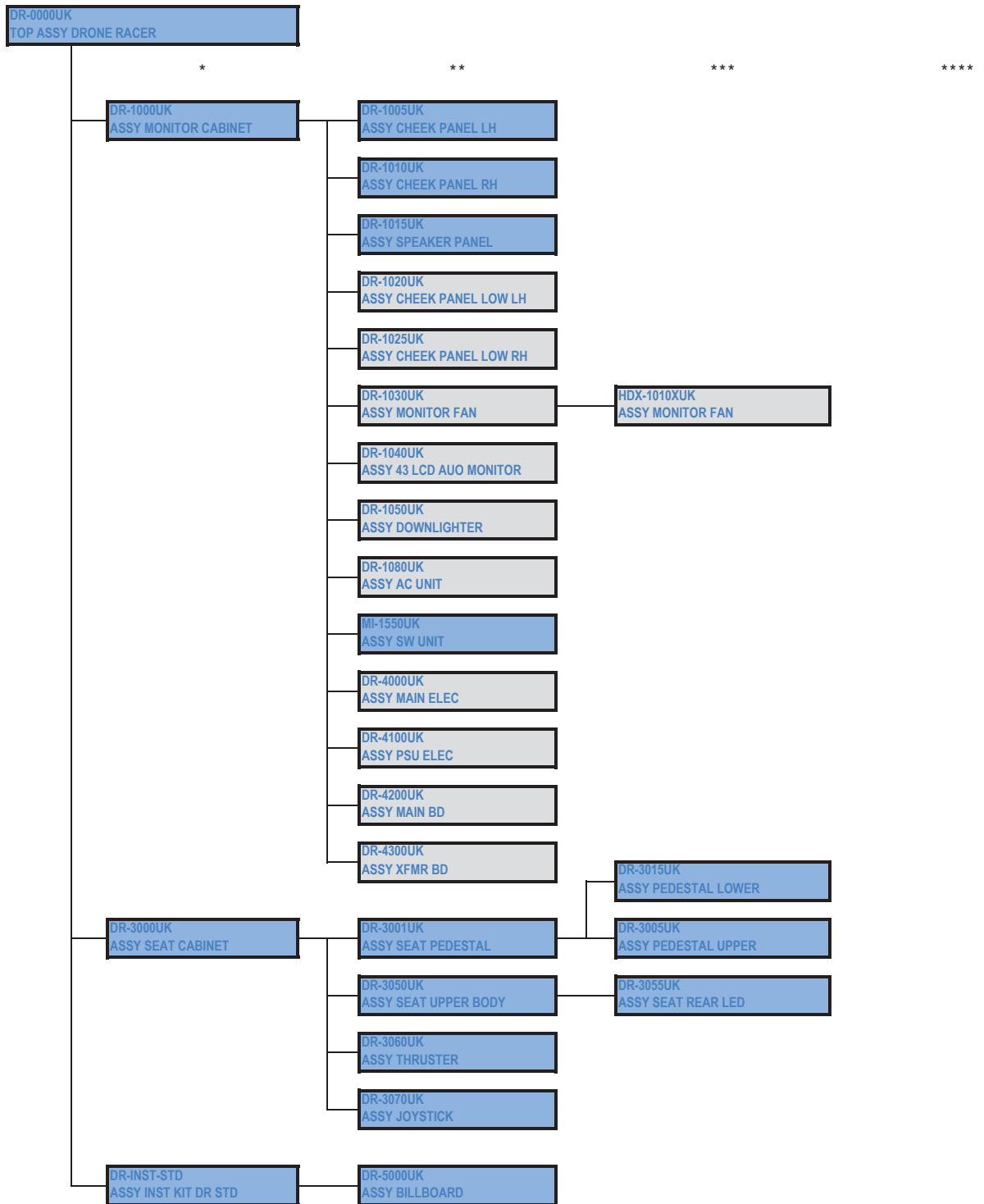


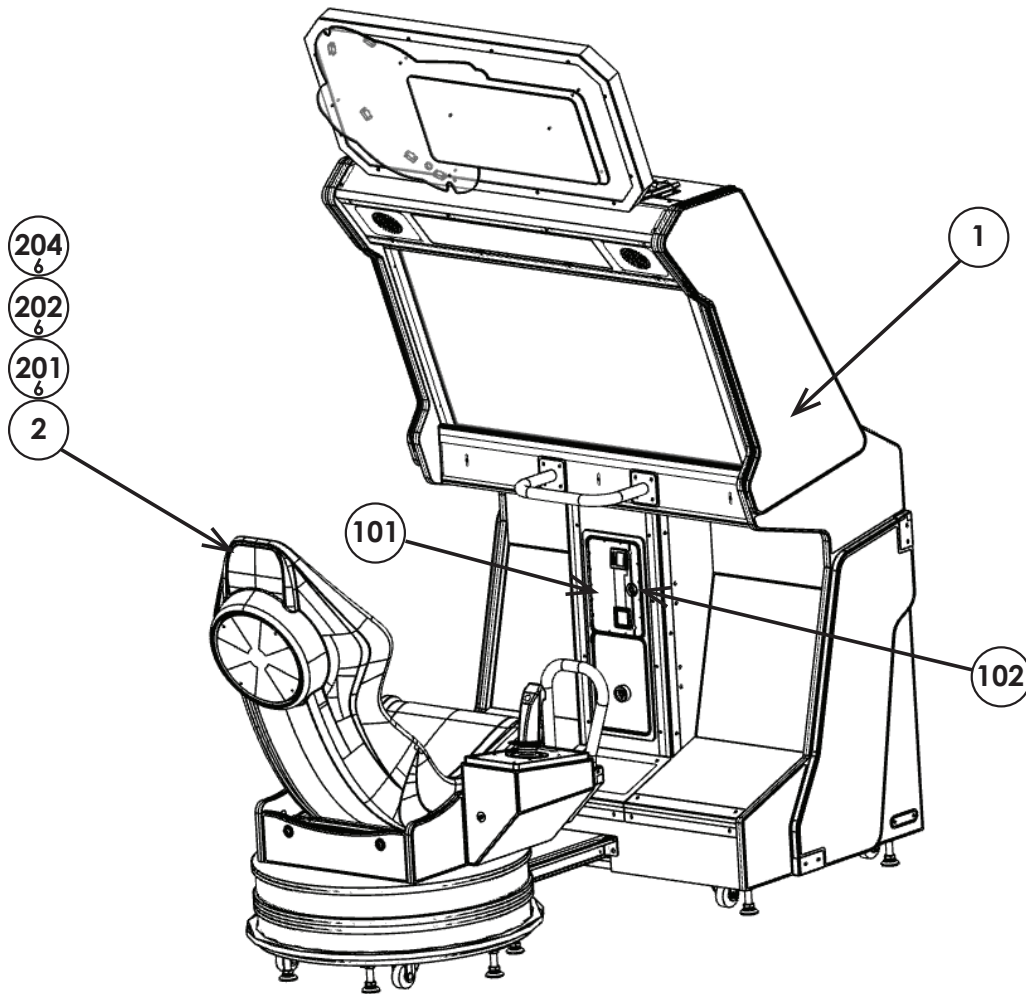
18 PARTS LIST

DRONE RACING GENESIS STRUCTURE FLOW



Please note: The location of all artwork can be found in Chapter 17 of this manual.

1 TOP ASSY DRONE RACING (DR-0000UK)



ITEM NO	PART NO	DESCRIPTION	QTY
*1	DR-1000UK	ASSY MONITOR CABINET	1
*2	DR-3000UK	ASSY SEAT CABINET	1
*3	440-PL2000UK	LABEL SUITE DRONE RACING	1
*4	421-7988-91UK	STICKER SERIAL NUMBER UK	1
*101	220-5736-01	DFMD W/UNIV CRADLE&CASHBOX ENC HI SEC	1
*102	220-5575UK	LOCK (J9117) KEY TO LIKE 22MM W CAM	1
*201	029-B00425	M4X25 SKT BH PAS	30
*202	029-B00625	M6X25 SKT BH PAS	22
*203	060-S00600	M6 WSHR SPR PAS	4
*204	068-441616	M4 WSHR 16OD FLT PAS	30
*205	068-652016	M6 WSHR 20OD FLT PAS	16
*401	DR-INST-STD	ASSY INST KIT DR STD	1
*402	SAECE-xxx	DECLARATION OF CONFORMITY	1
*403	PK0468	SHRINK WRAP RD STD	2
*404	PK0547	PALLET DR MONITOR CABI	1
*405	PK0548	PALLET DR SEAT CABI	1
*406	420-0039UK	MANUAL DRONE RACING	1

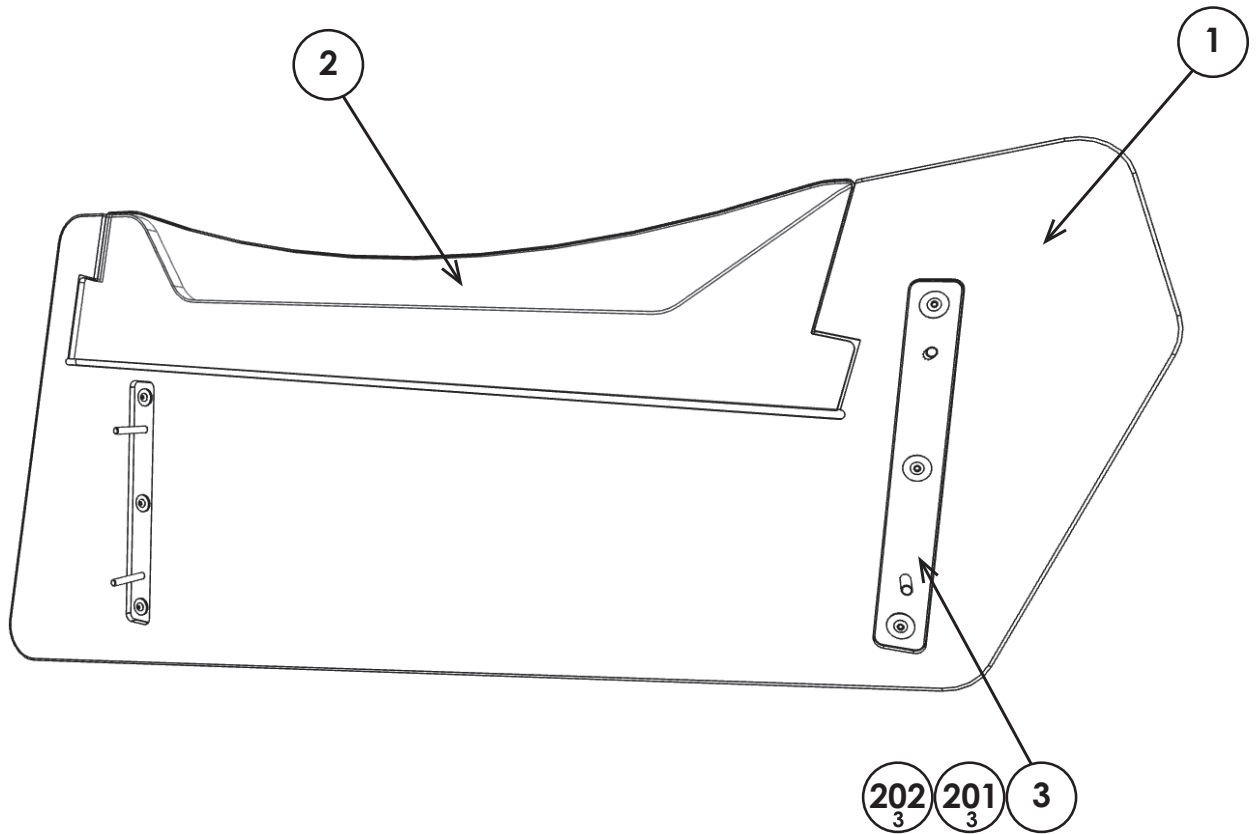
Please note: The location of all labels can be found in Chapter 1 of this manual.

② ASSY MONITOR CAB (DR-1000UK)

(D-2/2)

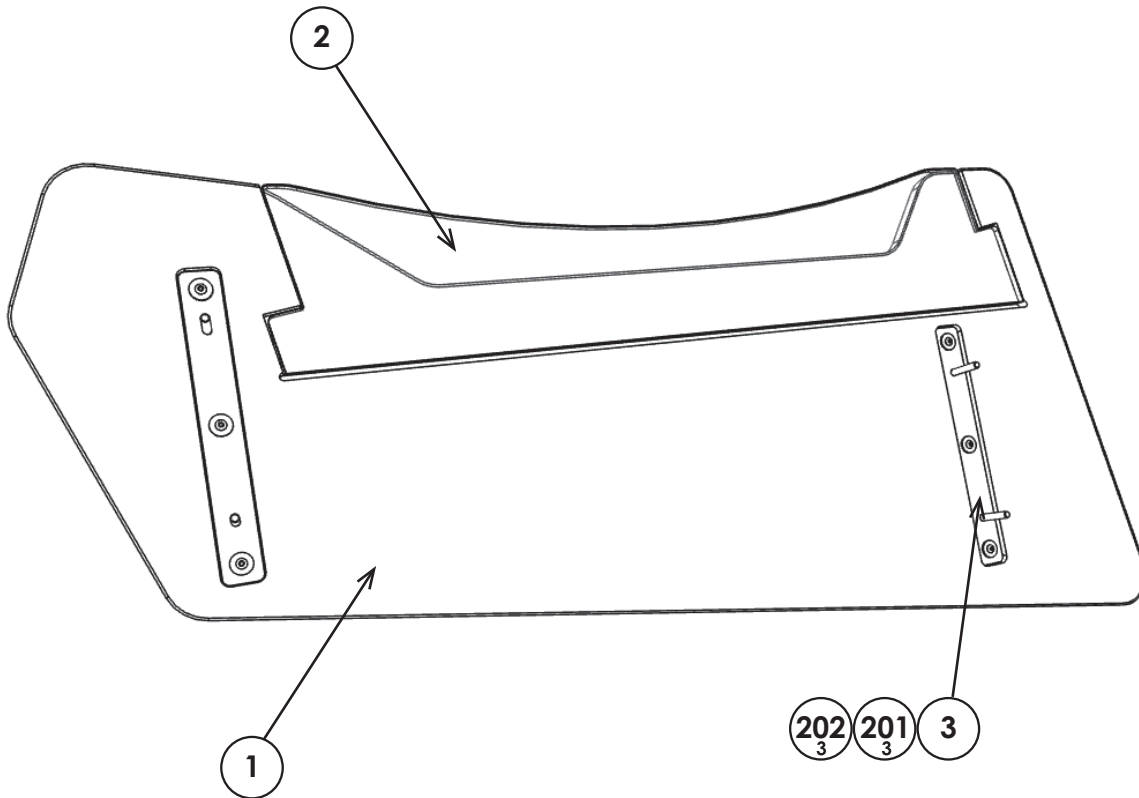
ITEM NO	PART NO	DESCRIPTION	QTY
**1	DR-1005UK	ASSY CHEEK PANEL RH	1
**2	DR-1010UK	ASSY CHEEK PANEL LH	1
**3	DR-1015UK	ASSY SPEAKER PANEL	1
**4	DR-1020UK	ASSY CHEEK PANEL LOWER LH	1
**5	DR-1025UK	ASSY CHEEK PANEL LOWER RH	1
**6	DR-1030UK	ASSY MONITOR FAN	1
**7	DA-7280UK	ASSY 43" LCD AUO 01 MONITOR	1
**8	DR-1080UK	ASSY AC UNIT	1
**9	MI-1550UK	ASSY SWITCH UNIT	1
**10	DR-4000UK	ASSY MAIN ELEC	1
**11	DR-4100UK	ASSY PSU ELEC	1
**12	DR-4200UK	ASSY MAIN BD	1
**13	DR-4300UK	ASSY XFMR BD	1
**14	DR-1050UK	ASSY DOWNLIGHTER	1
**17	DR-0002UK	BRKT JOINT PNL MOUNT	1
**18	DR-0011UK	BRKT MTG SW UNIT	2
**19	DR-0016UK	BRKT FOOTREST	2
**20	DR-1002UK	ASSY FRONT CABINET	1
**21	DR-1003UK	PANEL GLASS RETAIN LOWER	1
**22	DR-1013UK	BRKT GLASS RETAIN SIDE	2
**23	DR-1014UK	PLATE JOINT BRIDGE ACCESS	1
**24	DR-1017UK	TRIM VERTICAL LH	1
**25	DR-1018UK	TRIM VERTICAL RH	1
**26	DA-7279UK	GLASS LCD 43 AUO SCREEN PROTECT	1
**27	DV-1006UK	BRKT FRONT BRIDGE JOINT	1
**28	DR-1019UK	HANDRAIL	1
**29	RR-8505XUK	BRKT BILLBOARD RETAINING	2
**101	130-04030-E	SPKR ELIP 40HM 30W VIS DX4x6P	2
**102	130-08090-W	WOOFER 80HM 90W W250-8	1
**103	280-A012640-WX	ROUTER TWIST D12 SO6.4 WOOD XL	30
**104	SAI-6603-0500UK	LED SINGLE COLOUR SHORT	2
**201	029-B00412-OB	M4X12 SKT BH BLK	37
**202	029-B00425-OB	M4X25 SKT BH BLK	36
**203	029-B00440	M4X40 SKT BH PAS	6
**204	029-B00612	M6X12 SKT BH PAS	2
**205	029-B00625	M6X25 SKT BH PAS	2
**206	029-B00825	M8X25 SKT BH PAS	4
**207	050-F00400	M4 NUT FLG SER PAS	4
**208	050-F00600	M6 NUT FLG SER PAS	16
**209	060-F00400	M4 WSHR FORM A FLT PAS	16
**210	060-S00400	M4 WSHR SPR PAS	12
**211	068-441616-OB	M4 WSHR 16OD FLT BLK	66
**212	068-652016	M6 WSHR 20OD FLT PAS	20
**213	068-852216	M8 WSHR 22OD FLT PAS	4
**214	012-P03512-F	N6X1/2" S/TAP FLG PAS	8
**215	029-B00640-OB	M6X40 SKT BH BLK	8
**301	DR-60004UK	WH COIN TOWER	1
**302	DR-60005UK	WH MONITOR CAB LIGHTING & AUDIO	1
**303	DR-60007UK	WH MONITOR CABINET LINK	1
**304	MB-60031UK	WH MONITOR PWR	1
**305	MI-60017UK	WH SPEAKER A	2

3 ASSY CHEEK PANEL LH (DR-1005UK)



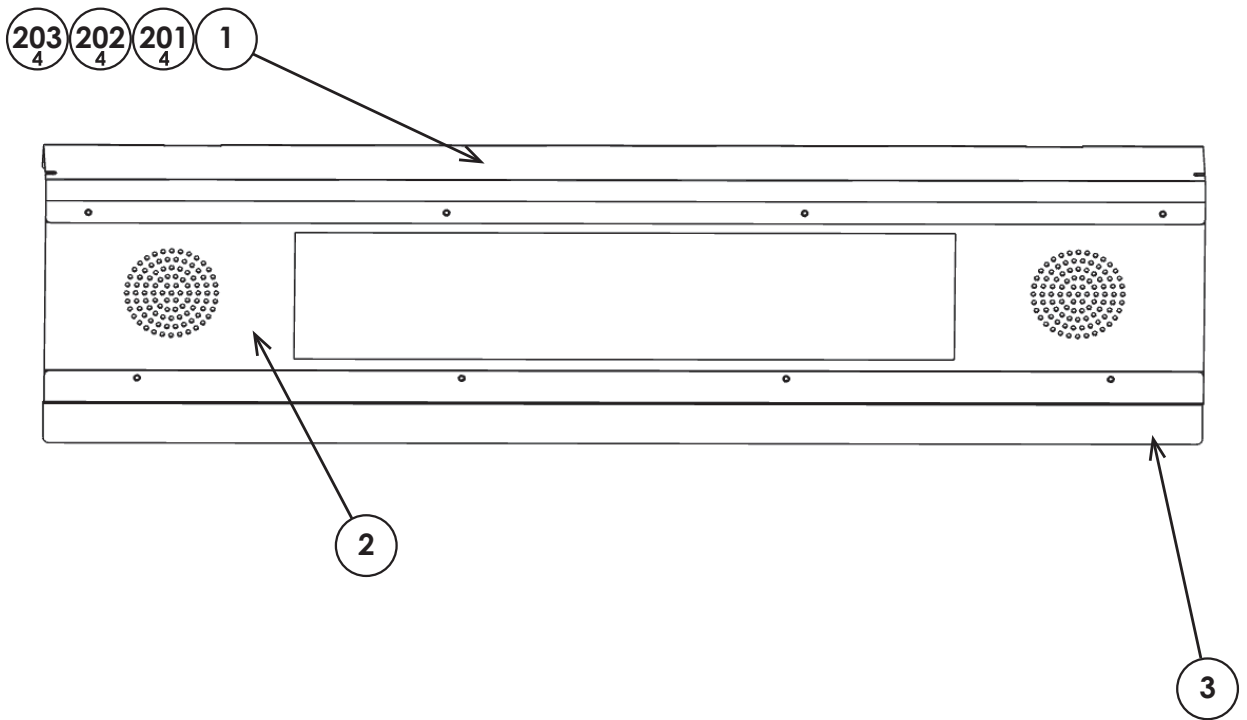
ITEM NO	PART NO	DESCRIPTION	QTY
***1	DR-1006UK	PANEL LH CHEEK	1
***2	DR-1007UK	PANEL CHEEK ACRYLIC	1
***3	DR-1008UK	PLATE STUD	2
***101	SAI-6302-0698UK	SERIAL LONG 698MM	1
***201	029-B00412	M4X12 SKT BH PAS	6
***202	068-441616	M4 WSHR 16OD FLT PAS	6

④ ASSY CHEEK PANEL RH (DR-1010UK)



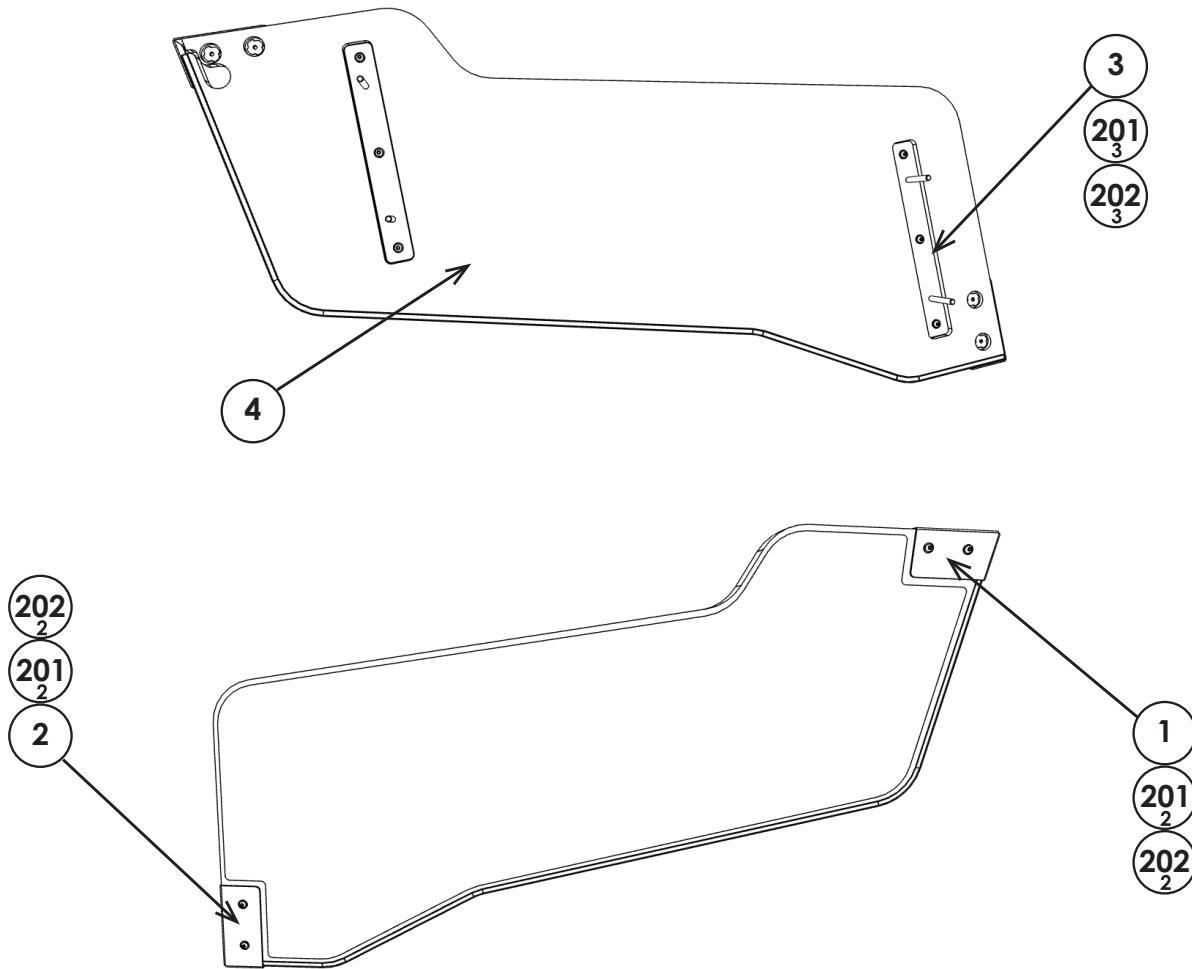
ITEM NO	PART NO	DESCRIPTION	QTY
***1	DR-1011UK	PANEL RH CHEEK	1
***2	DR-1007UK	PANEL CHEEK ACRYLIC	1
***3	DR-1008UK	PLATE STUD	2
***101	SAI-6302-0698UK	SERIAL LONG 698MM	1
***201	029-B00412	M4X12 SKT BH PAS	6
***202	068-441616	M4 WSHR 16OD FLT PAS	6

5 ASSY SPEAKER PANEL (DR-1015UK)



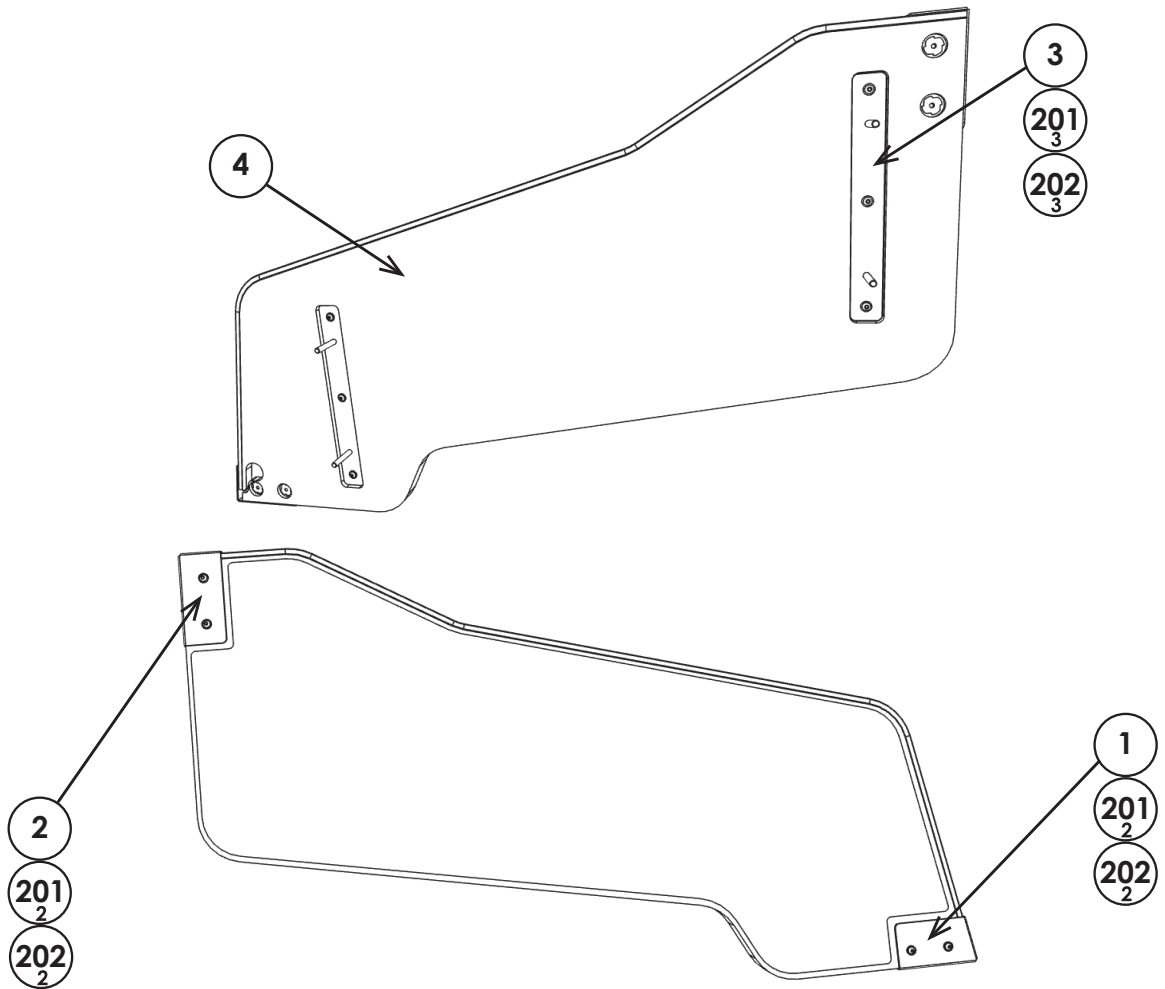
ITEM NO	PART NO	DESCRIPTION	QTY
***1	DR-1004UK	MOUNT SPEAKER PANEL	1
***2	DR-1009UK	SPEAKER PANEL	1
***3	DR-1012UK	BRKT GLASS RETAIN UPPER	1
***201	050-F00400	M4 NUT FLG SER PAS	8
***202	068-441616	M4 WSHR 16OD FLT PAS	8

6 ASSY CHEEK PANEL LOWER LH (DR-1020UK)



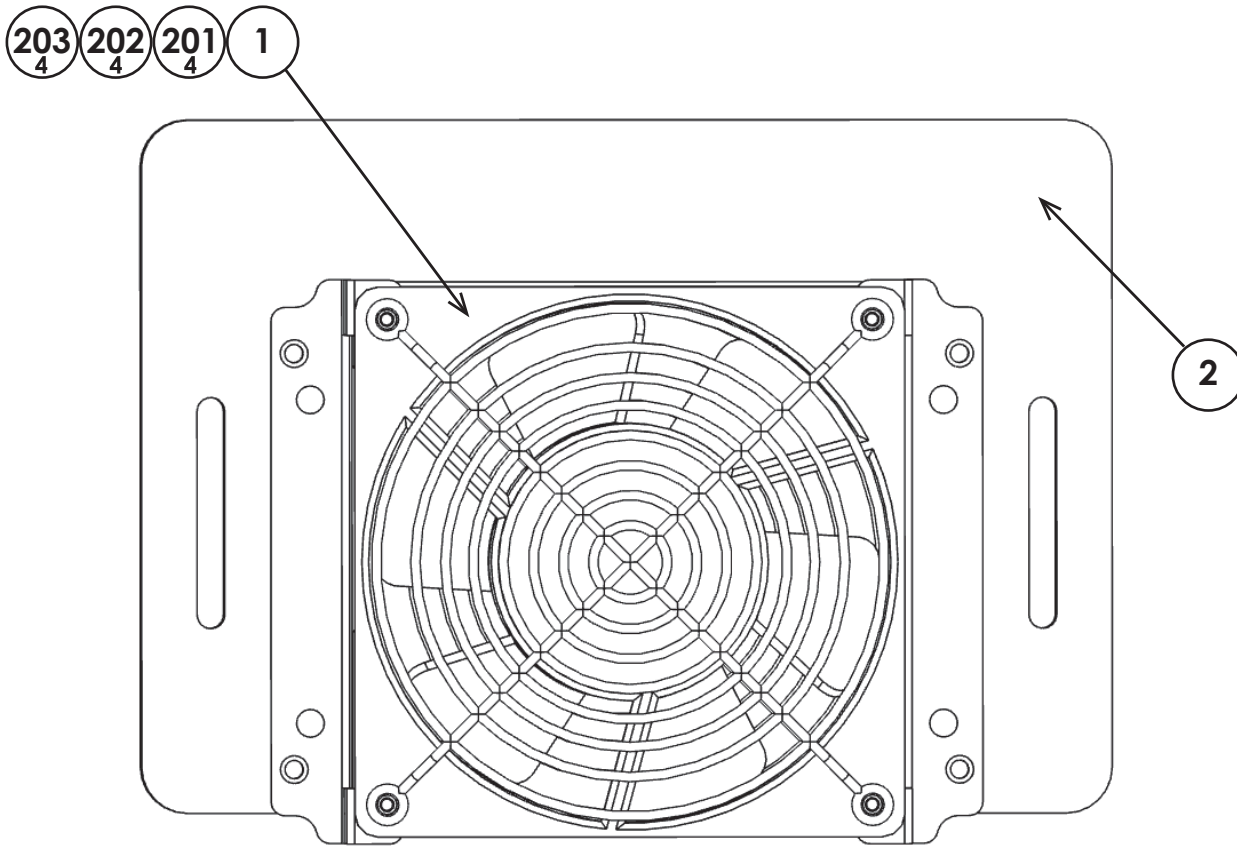
ITEM NO	PART NO	DESCRIPTION	QTY
***1	DR-0003UK	BRKT ENDCAP LED EDGING UPPER L	1
***2	DR-0007UK	BRKT ENDCAP LED EDGING LOWER L	1
***3	DR-1008UK	PLATE STUD	2
***4	DR-1021UK	PANEL LH CHEEK LOWER	1
***101	SAI-6101-1250UK	RGB LONG 1250mm	1
***201	029-B00412-OB	M4X12 SKT BH BLK	10
***202	068-441616-OB	M4 WSHR 16OD FLT BLK	10

7 ASSY CHEEK PANEL LOWER RH (DR-1025UK)



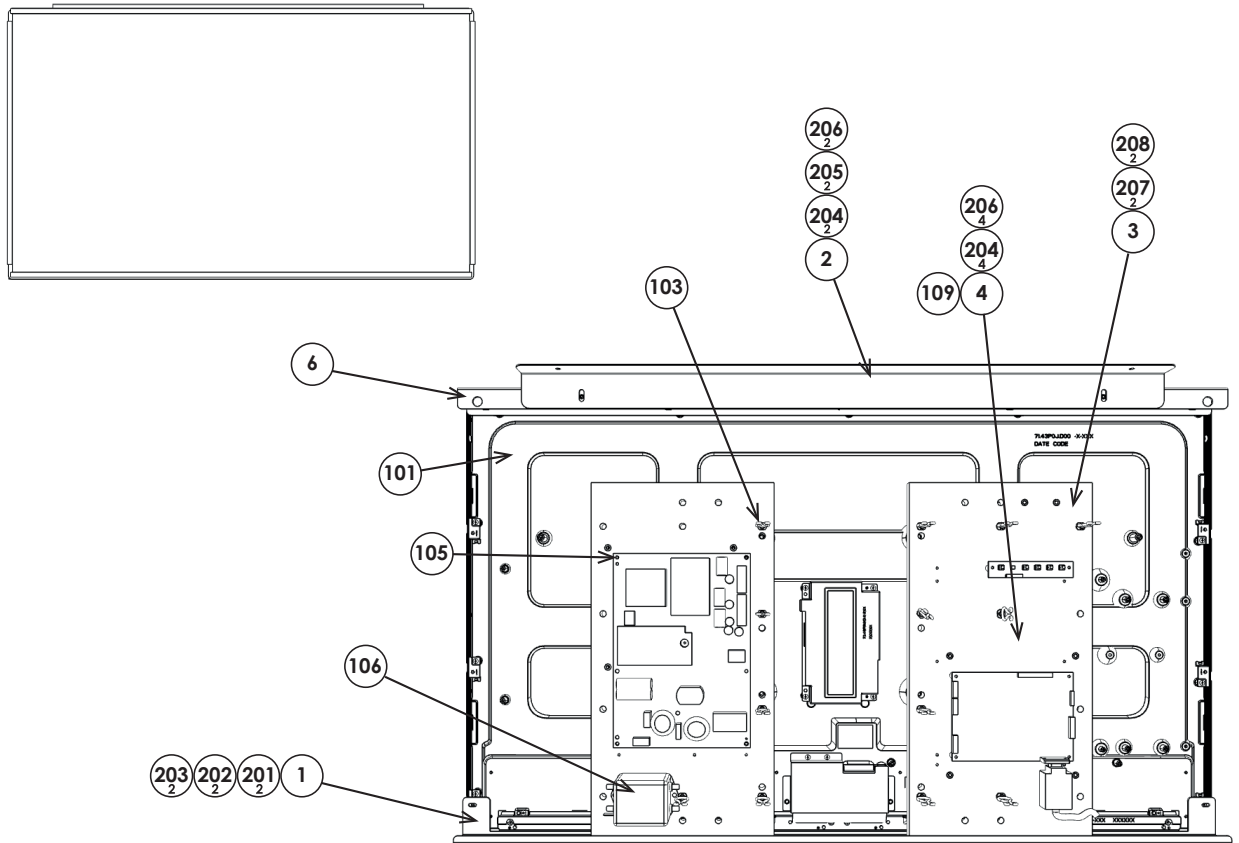
ITEM NO	PART NO	DESCRIPTION	QTY
***1	DR-0004UK	BRKT ENDCAP LED EDGING UPPER R	1
***2	DR-0008UK	BRKT ENDCAP LED EDGING LOWER R	1
***3	DR-1008UK	PLATE STUD	2
***4	DR-1026UK	PANEL RH CHEEK LOWER	1
***101	SAI-6101-1250UK	RGB LONG 1250mm	1
***201	029-B00412-OB	M4X12 SKT BH BLK	10
***202	068-441616-OB	M4 WSHR 16OD FLT BLK	10

8 ASSY MONITOR FAN (DR-1030UK)



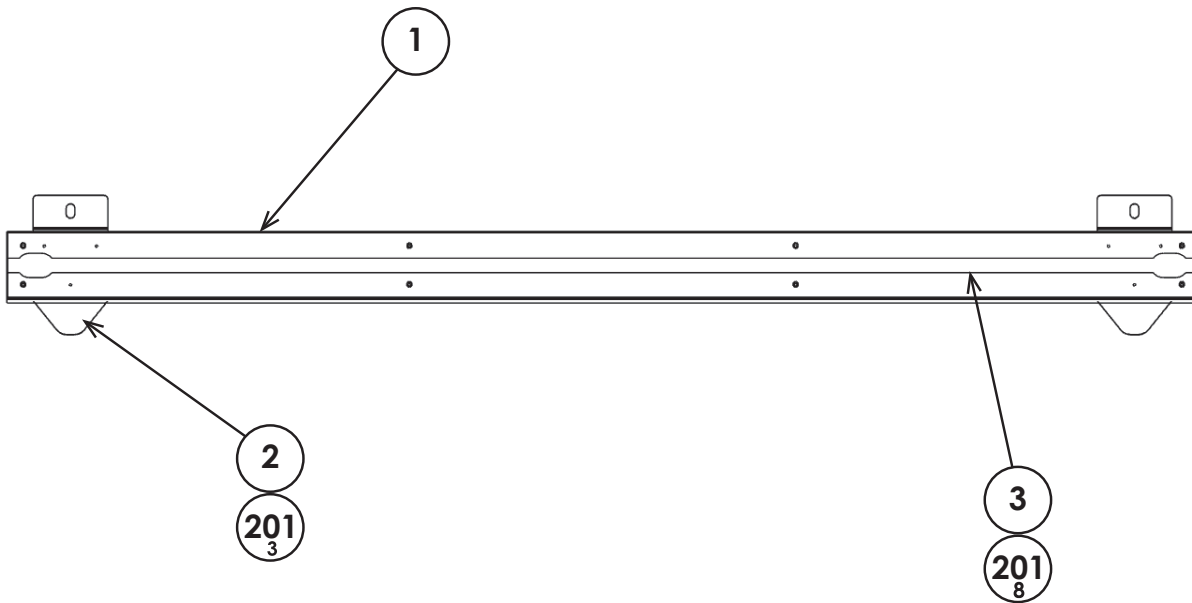
ITEM NO	PART NO	DESCRIPTION	QTY
***1	HDZ-1010XUK	ASSY MONITOR FAN	1
***2	DR-1031UK	PANEL FAN	1
***201	029-B00412	M4X12 SKT BH PAS	4
***202	060-F00400	M4 WSHR FORM A FLT PAS	4
***203	060-S00400	M4 WSHR SPR PAS	4

9 ASSY 43 LCD AUO 01 MONITOR (DA-7280UK)



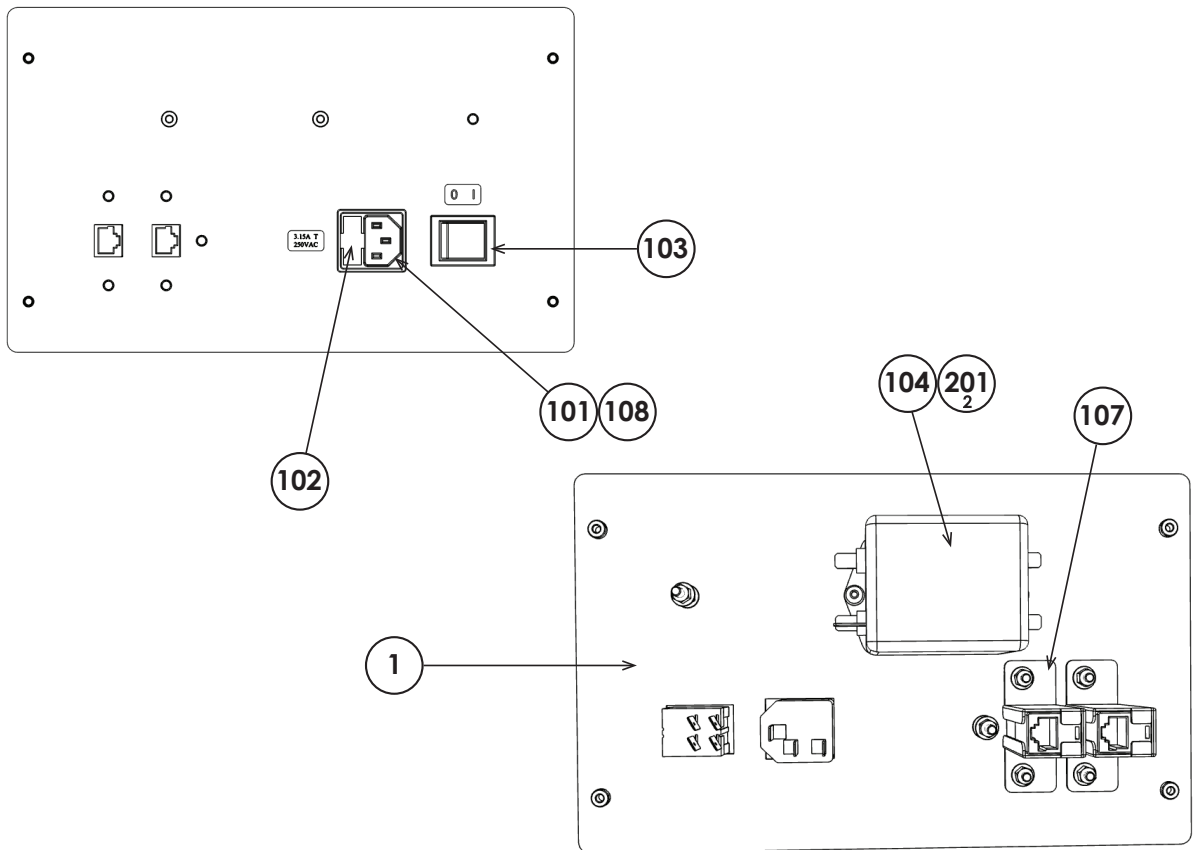
ITEM NO	PART NO	DESCRIPTION	QTY
***1	DA-7281UK	BRKT SCREEN LOWER	1
***2	DA-1272UK	BRKT LCD SUPPORT TOP	1
***3	TRF-1210UK	PNL PRISMA BD DMODUL MNT 55	2
***4	TRF-1207UK	COVER PRISMA BD DMODUL	1
***6	DA-7282UK	BRKT SCREEN UPPER	1
***101	200-6043-02-AUO	43" LCD AUO P430HVN01.4	1
***102	OS1247	ALUMINIUM STICKY CLIP ASK-3	2
***103	280-A01264-WX	ROUTER TWIST D12 SO6.4 WOOD XL	13
***104	OS1230	FOAM STRIP 2mm X 10mm	3.3
***105	280-0017UK	SPACER 6.4OD 3.7ID 11.1L	10
***106	EP1419	FILTER SCHAFFNER FN2030-16-06	1
***109	201-6043-02-AUO	KIT DISPLAY PSU AD	1
***201	029-B00305	M3X5 SKT BH PAS	7
***202	060-S00300-OB	M3 WSHR SPR BLK	7
***203	060-F00300-OB	M3 WSHR FORM A FLT BLK	7
***204	029-B00412	M4X12 SKT BH PAS	6
***205	060-S00400	M4 WSHR SPR PAS	2
***206	068-441616	M4 WSHR 16OD FLT PAS	6
***207	029-B00620	M6X20 SKT BH PAS	4
***208	068-652016	M6 WSHR 20OD FLT PAS	4
***209	012-P00320	N4X3/4" S/TAP PAN PAS	10

10 ASSY DOWNLIGHTER (DR-1050UK)



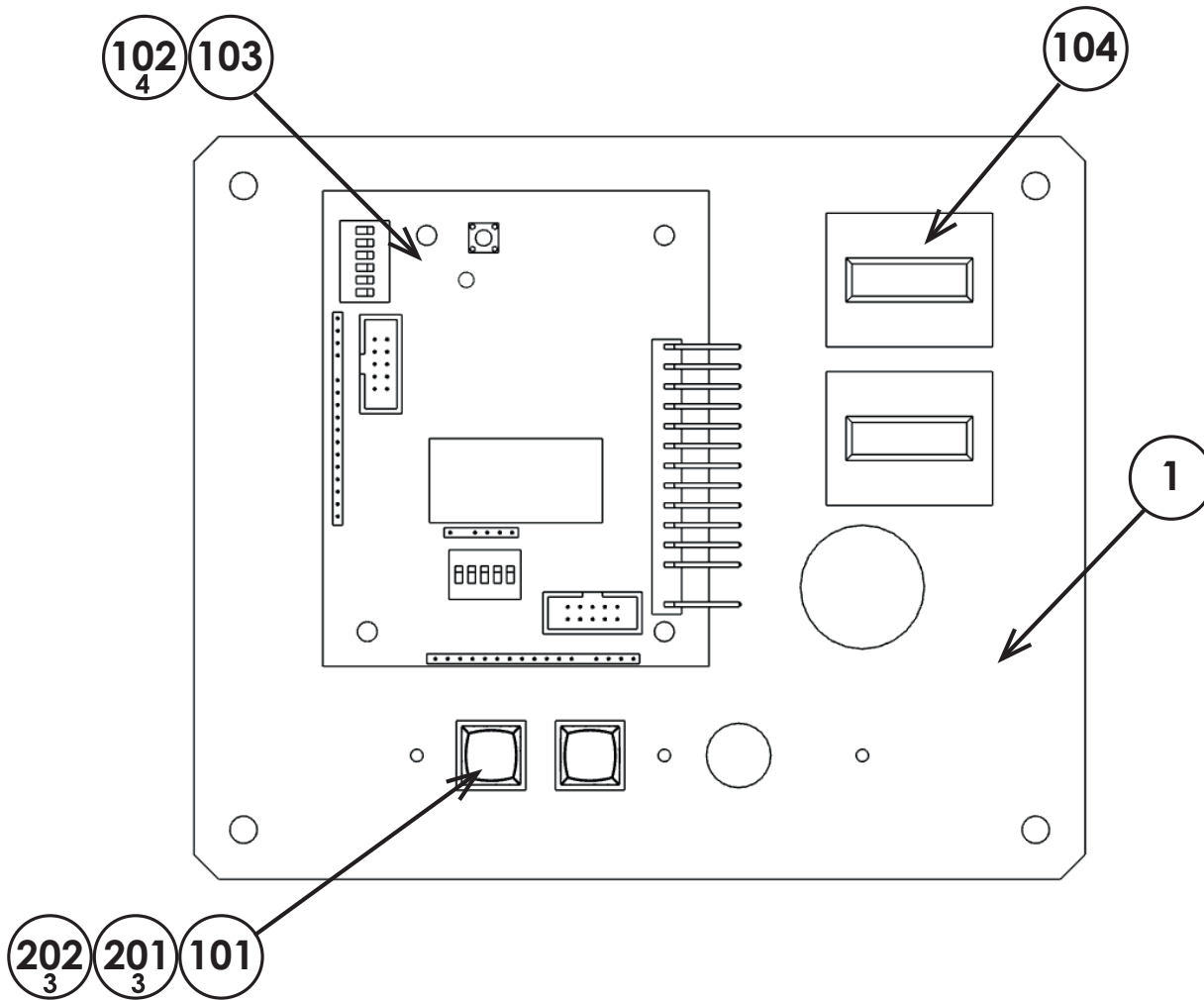
ITEM NO	PART NO	DESCRIPTION	QTY
**1	HP-1051UK	BASE DOWNLIGHTER	1
**2	HP-1052UK	BRKT DOWNLIGHTER MOUNT	2
**3	HP-1053UK	COVER DOWNLIGHTER	1
**101	SAI-6101-0950UK	RGB LONG 950mm	1
**201	012-P03512-F	N6X1/2" S/TAP FLG PAS	14

11 ASSY AC UNIT (DR-1080UK)



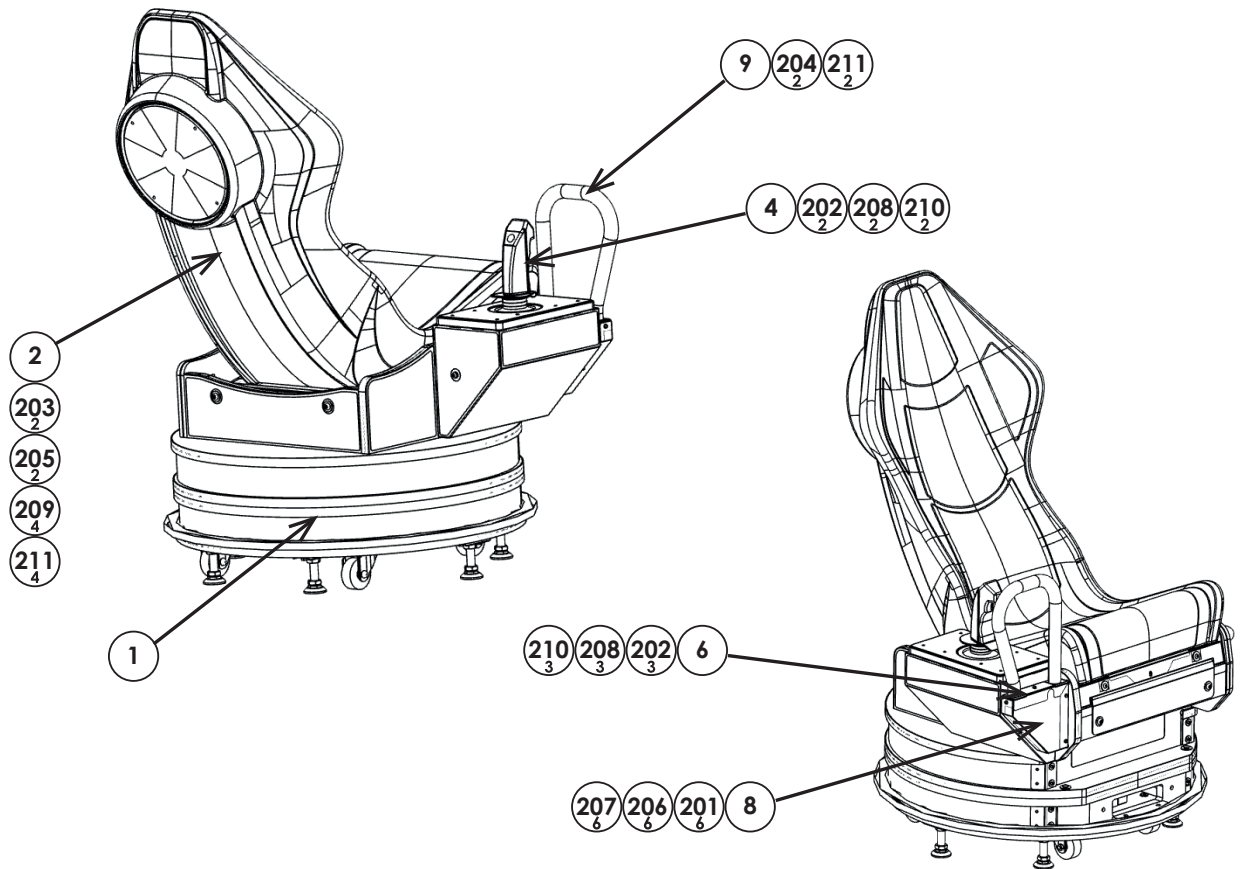
ITEM NO	PART NO	DESCRIPTION	QTY
***1	DA-1081UK	PLATE AC	1
***2	TFF-0402UK	CONN COVER	2
***101	EP1302	EUROSOCKET FUSED 10A 250VAC	1
***102	514-5078-3150	FUSE 3.15 X 20 CERAMIC SB 3150mA	2
***103	SW1109	SWITCH ROCKER 250V AC	1
***104	EP1419	FILTER SCHAFFNER 2030-16-06	1
***107	EP1391	COUPLER INLINE LAN RJ45	2
***108	310-5029-D508	HEAT SHRINK SLEEVING 50.8DIA	10
***201	029-B00408	M4X8 SKT BH PAS	2
***202	050-F00400	M4 NUT FLG SER PAS	6
***203	060-S00400	M4 WSHR SPR PAS	2
***301	MI-60001UK	WH AC IN	1

12 ASSY SW UNIT (MI-1550UK)



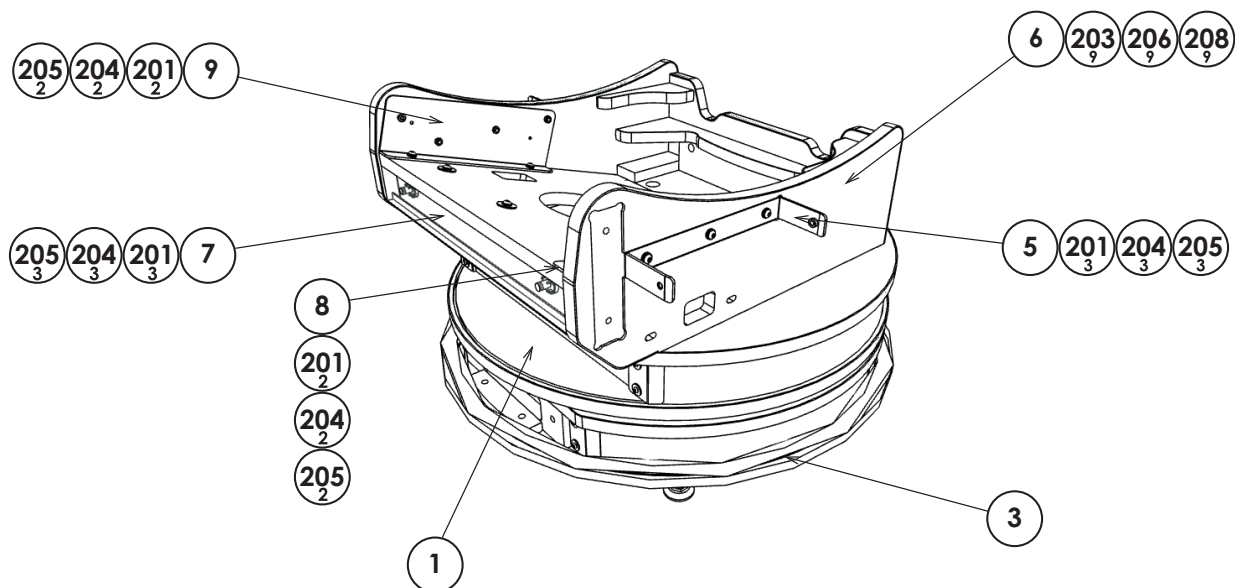
ITEM NO	PART NO	DESCRIPTION	QTY
***1	MI-1551UK	BRKT SW USB DUAL METER+AMP	1
***101	838-14548-01UK	SW & VOL CTL BD	1
***102	280-L00706-PM	STANDOFF 6.4MM HOLE PM	4
***103	EP1380-01	CREDIT BOARD EXCEL	1
***104	220-5643UK	COIN METER SMALL 12V	2
***105	OS1247	ALUMINIUM STICKY CLIP ASK-3	1
***107	OS1098	CRIMP BELL END SMALL	4
***108	601-0460	CABLE TIE NYLON 100MM	2
***201	000-P00308	M3X8 MSCR PAN PAS	3
***202	068-330808-PN	M3 WSHR 80D FLT NYLON	3
***301	MI-60014UK	WH COIN HANDLING	1

13 ASSY SEAT CABINET (DR-3000UK)



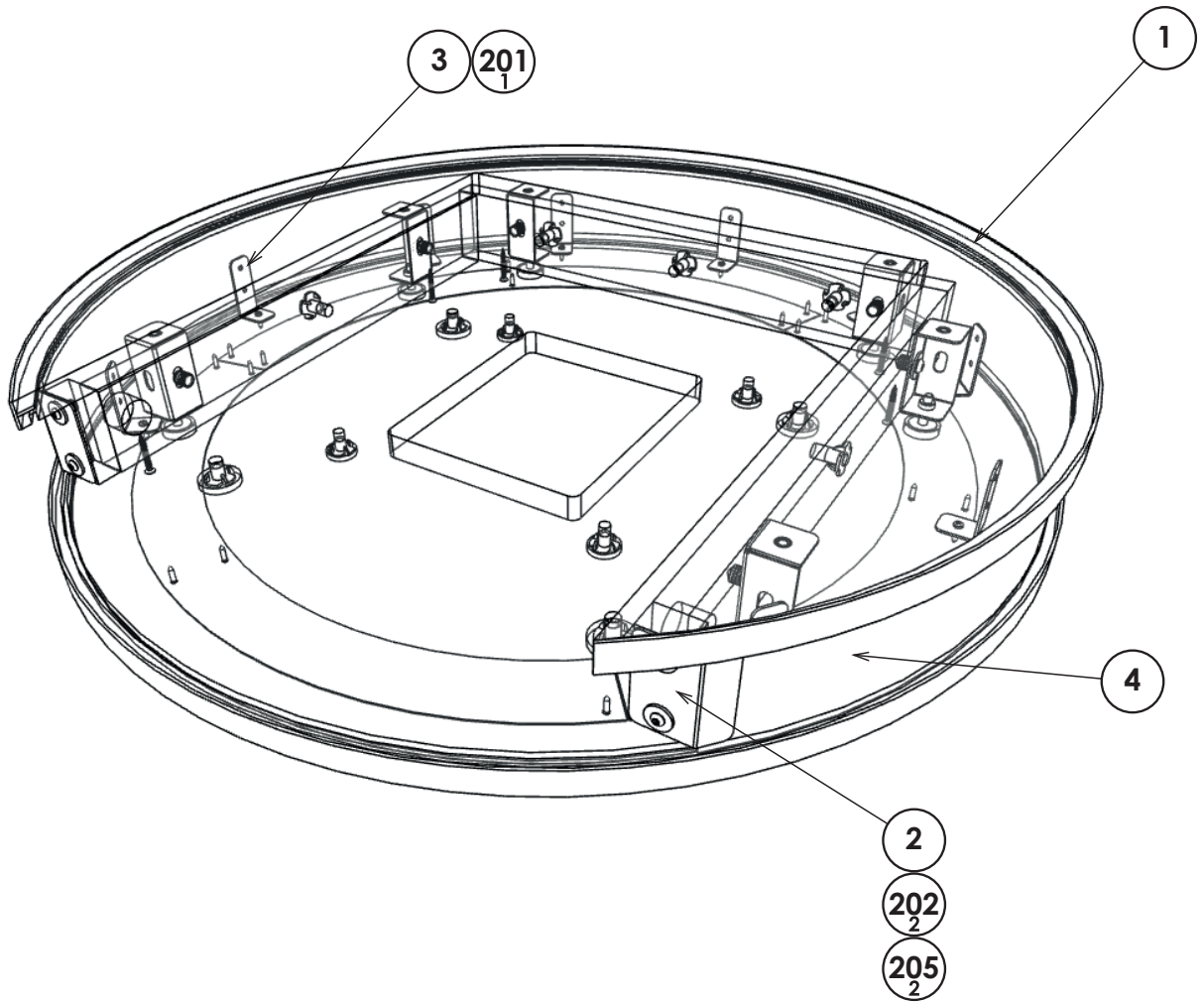
ITEM NO	PART NO	DESCRIPTION	QTY
**1	DR-3001UK	ASSY SEAT PEDESTAL	1
**2	DR-3050UK	ASSY SEAT UPPER BODY	1
**4	DR-3070UK	ASSY JOYSTICK	1
**6	DR-3022UK	BRKT PIPE MOUNT RH	1
**8	DR-3024UK	COVER PIPE MOUNT RH	1
**9	DR-3026UK	PIPE SEAT	2
**201	029-B00412-OB	M4X16 SKT BH BLK	8
**202	029-B00612-OB	M6X12 SKT BH BLK	5
**203	029-B00825-OB	M8X25 SKT BH BLK	2
**204	029-B00840-OB	M8X40 SKT BH BLK	10
**205	029-B00850-OB	M8X50 SKT BH BLK	2
**206	060-F00400-OB	M4 WSHR FORM A FLT BLK	8
**207	060-S00400-OB	M4 WSHR SPR BLK	6
**208	060-S00600-OB	M6 WSHR SPR BLK	5
**209	060-S00800-OB	M8 WSHR SPR BLK	12
**210	068-652016-OB	M6 WSHR 200D FLT BLK	5
**211	068-852216-OB	M8 WSHR 220D FLT BLK	14
**301	DR-60008UK	WH SEAT CABINET LINK	1
**302	DR-600011UK	WH SEAT SERIAL LIGHTING	1

14 ASSY SEAT PEDESTAL (DR-3001UK)



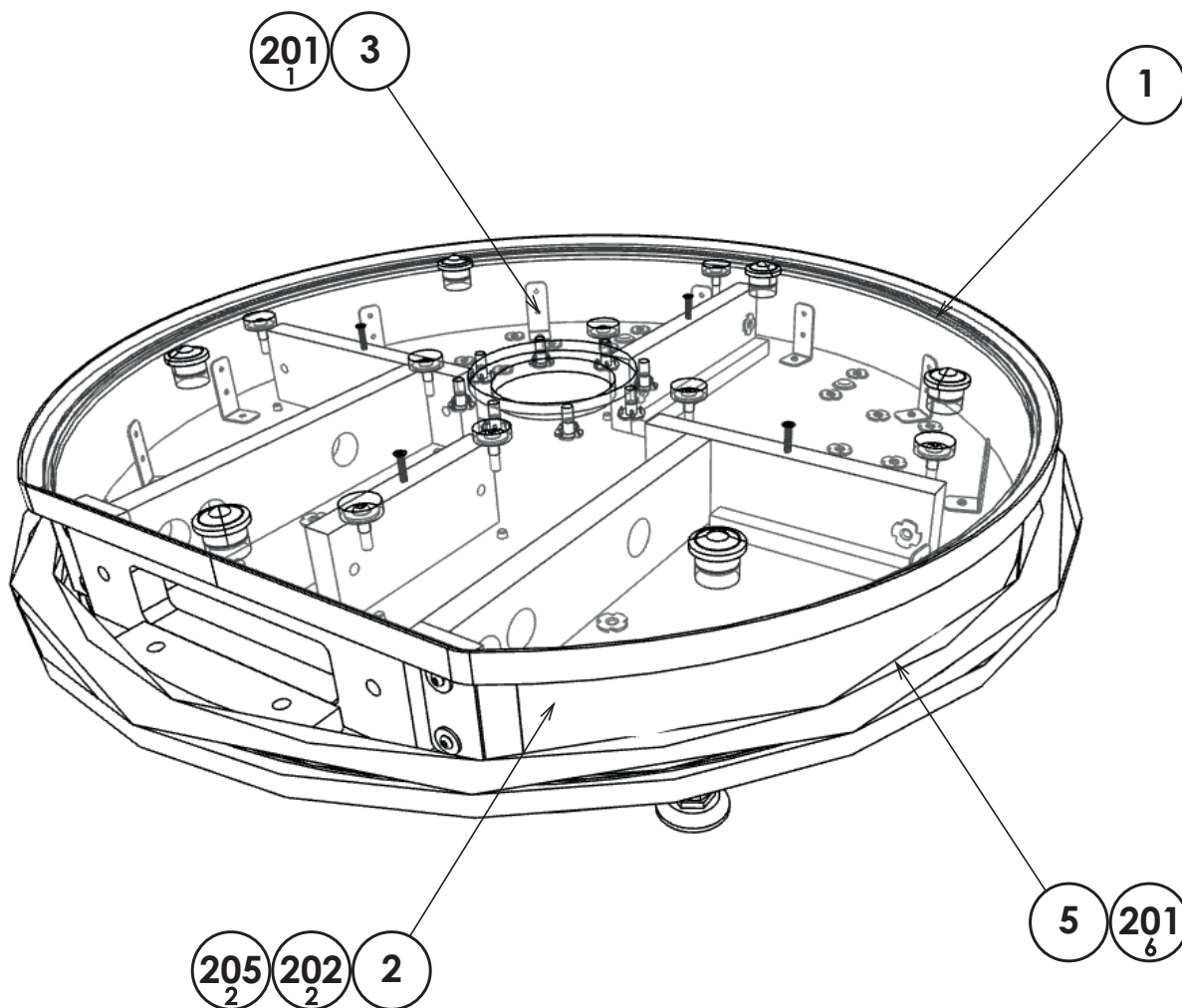
ITEM NO	PART NO	DESCRIPTION	QTY
***1	DR-3005UK	ASSY PEDESTAL UPPER	1
***3	DR-3015UK	ASSY PEDESTAL LOWER	1
***5	DR-3016UK	MOUNT CONTROLLER	2
***6	DR-3051UK	ASSY SEAT BASE CABINET	1
***7	DR-3056UK	SUPPORT SEAT BASE	1
***8	DR-3057UK	PLATE SEAT BASE LH NUT	1
***9	DR-3058UK	PLATE SEAT BASE RH NUT	1
***201	029-B00630	M6X30 SKT BH PAS	22
***202	029-B00640	M6X40 SKT BH PAS	4
***203	029-B00840	M8X40 SKT BH PAS	9
***204	060-F00600	M6 WSHR FORM A FLT PAS	18
***205	060-S00600	M6 WSHR SPR PAS	22
***206	060-S00800	M8 WSHR SPR PAS	9
***207	068-652016	M6 WSHR 20OD FLT PAS	4
***208	068-852216	M8 WSHR 22OD FLT PAS	9

15 ASSY PEDESTAL UPPER (DR-3005UK)



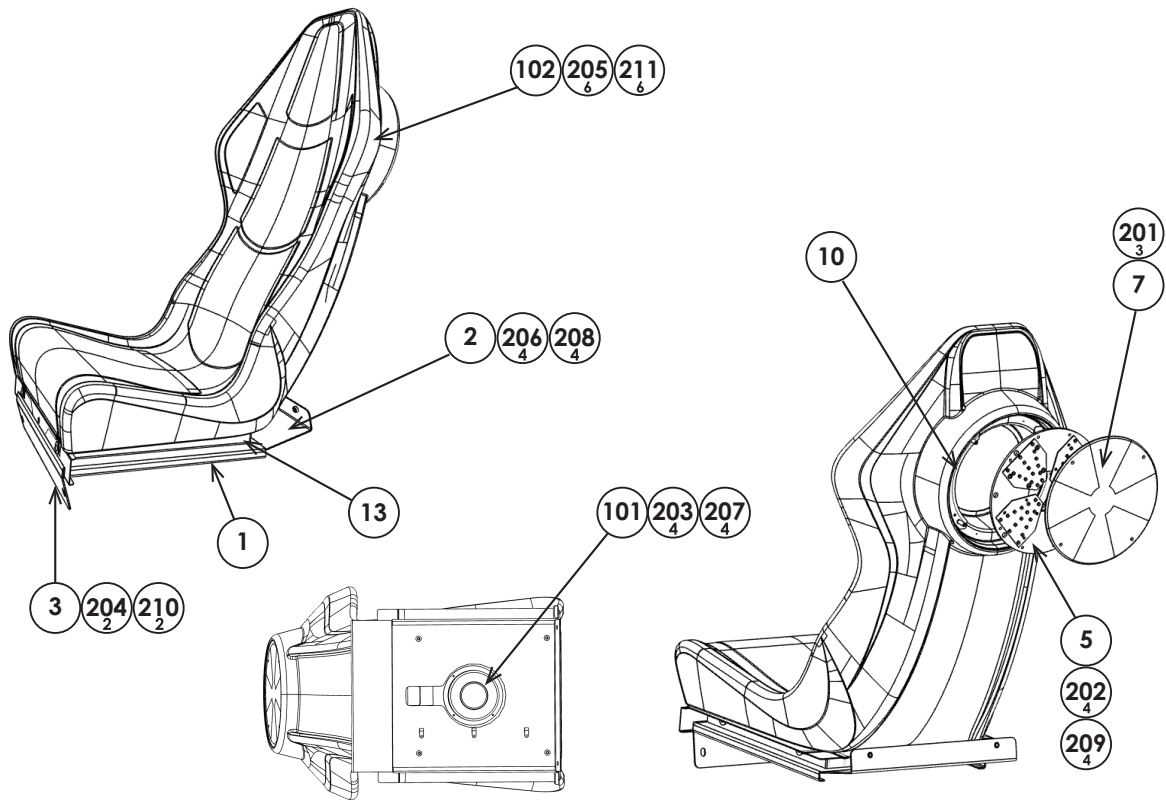
ITEM NO	PART NO	DESCRIPTION	QTY
****1	DR-3002UK	ASSY SEAT PEDESTAL UPPER	1
****2	DR-3008UK	PLATE UPPER LIGHT PANEL	2
****3	DR-3011UK	SUPPORT LED STRIP	9
****4	DR-3012UK	PANEL UPPER LIGHT	1
****6	DR-3014UK	BRKT JOINING	6
****101	SAI-6302-1480UK	SERIAL LONG 1480MM	1
****102	601-0460	CABLE TIE NYLON 100MM	9
****201	012-P00312	N6X1/2" S/TAP PAN PAS	27
****202	029-B00412-OB	M4X12 SKT BH BLK	4
****203	029-B00612	M6X12 SKT BH PAS	6
****204	029-B00625	M6X25 SKT BH PAS	6
****205	068-441616-OB	M4 WSHR 16OD FLT BLK	4
****206	068-652016	M6 WSHR 20OD FLT PAS	12

16 ASSY PEDESTAL LOWER (DR-3015UK)



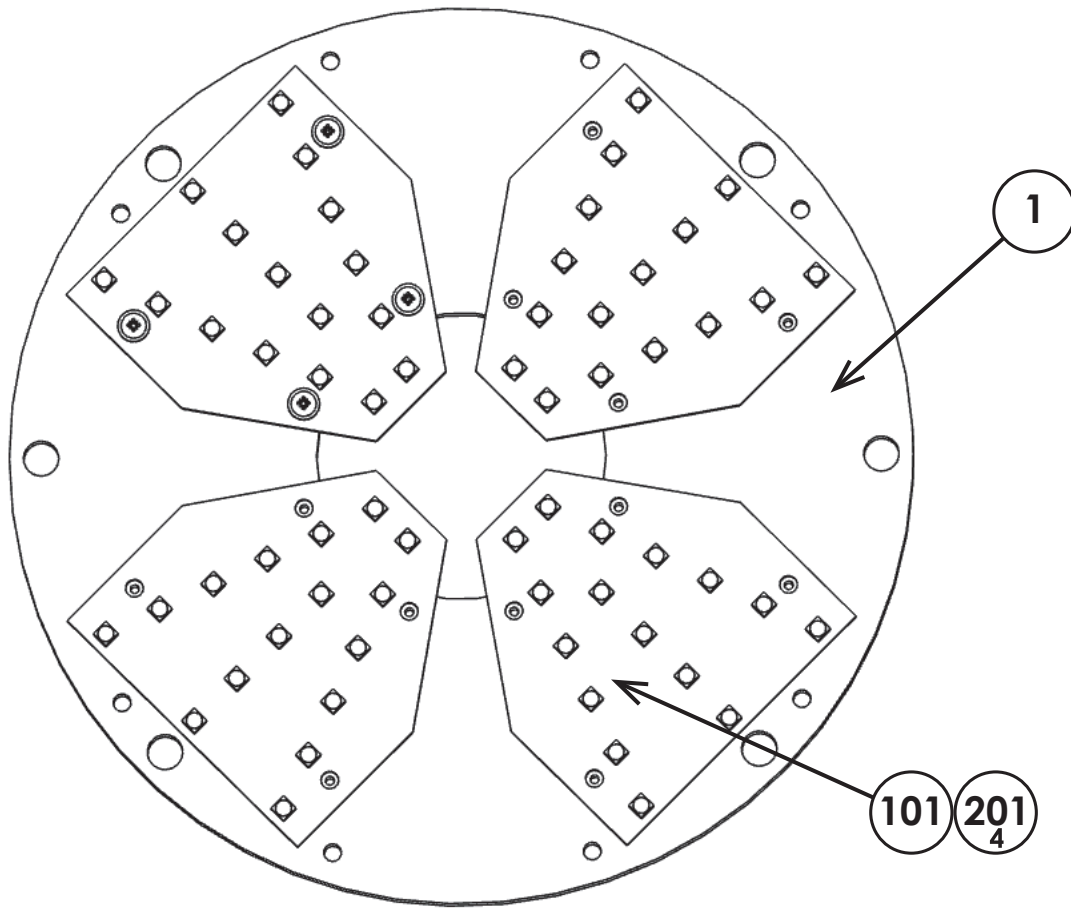
ITEM NO	PART NO	DESCRIPTION	QTY
****1	DR-3003UK	ASSY SEAT PEDESTAL LOWER	1
****2	DR-3008UK	PLATE UPPER LIGHT PANEL	2
****3	DR-3011UK	SUPPORT LED STRIP	10
****4	DR-3014UK	BRKT JOINING	8
****5	DR-3012UK	PANEL UPPER LIGHT	1
****102	SAI-6302-1480UK	SERIAL LONG 1480MM	1
****201	012-P00312	N6X1/2" S/TAP PAN PAS	27
****202	029-B00412-OB	M4X12 SKT BH BLK	4
****204	029-B00625	M6X25 SKT BH PAS	12
****205	068-441616-OB	M4 WSHR 16OD FLT BLK	4
****206	068-652016	M6 WSHR 20OD FLT PAS	12

17 ASSY SEAT UPPER BODY (DR-3050UK)



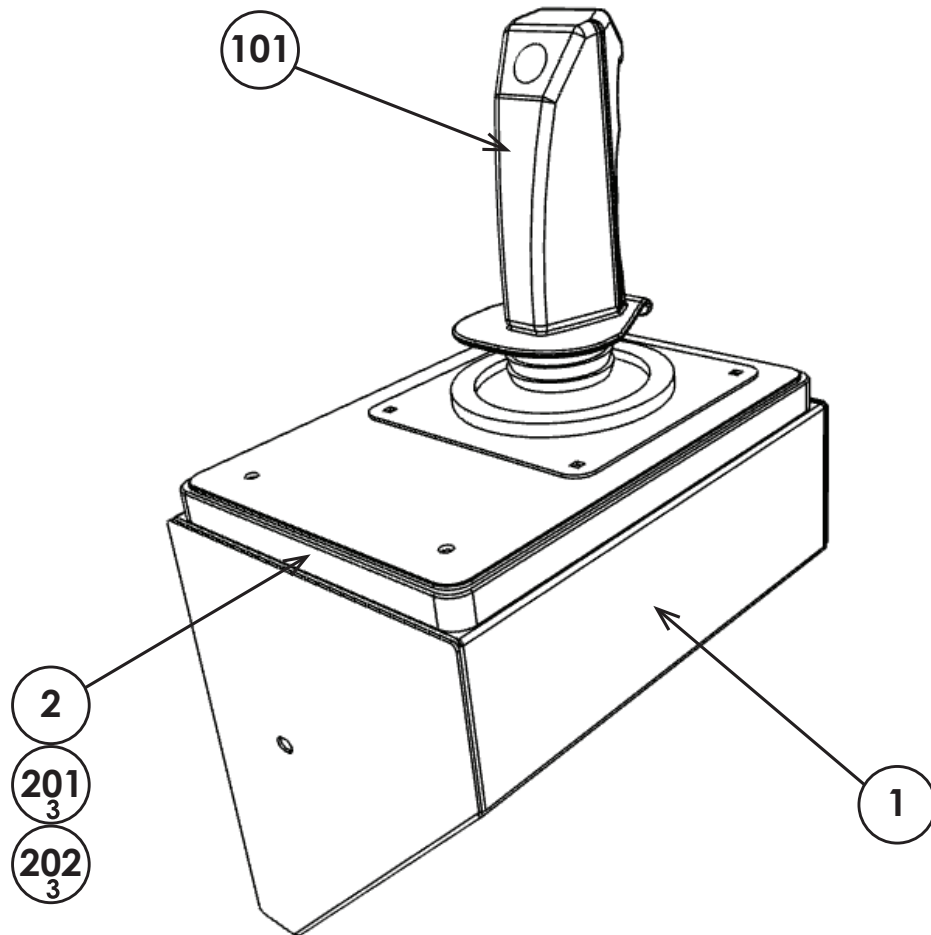
ITEM NO	PART NO	DESCRIPTION	QTY
***1	DR-3052UK	SEAT MOUNT TRAY	1
***2	DR-3053UK	SEAT BASE	1
***3	DR-3054UK	PLATE SEAT BASE FRONT	1
***5	DR-3055UK	ASSY SEAT REAR LED	1
***7	DA-7723UK	PLATE SEAT REAR DISC	2
***10	DR-3038UK	DISC SEAT REAR	1
***13	DR-3046UK	SKIRT SEAT TRAY	1
***101	130-04050-BSX	BASS SHAKER 4OHM 50W BSX 130 WP	1
***102	PD-1601-A	SEAT	1
***103	601-0460	CABLE TIE 100MM	8
***104	OS1198	P CLIP 11MM	3
***201	012-P03512-FB	N6x1/2" S/TAP FLG BLK	10
***202	029-B00412	M4X12 SKT BH PAS	4
***203	029-B00412-OB	M4X16 SKT BH BLK	4
***204	029-B00612-OB	M6X12 SKT BH BLK	2
***205	029-B00816-OB	M8X16 SKT BH BLK	6
***206	029-B00825-OB	M8X25 SKT BH BLK	4
***207	060-F00400-OB	M4 WSHR FORM A FLT BLK	4
***208	060-S00800-OB	M8 WSHR SPR BLK	4
***209	068-441616	M4 WSHR 16OD FLT PAS	4
***210	068-652016-OB	M6 WSHR 20OD FLT BLK	2
***211	068-852216-OB	M8 WSHR 22OD FLT BLK	6
***301	DR-60012UK	WH BASS SHAKER	1

18 ASSY SEAT REAR LED (DR-3055UK)



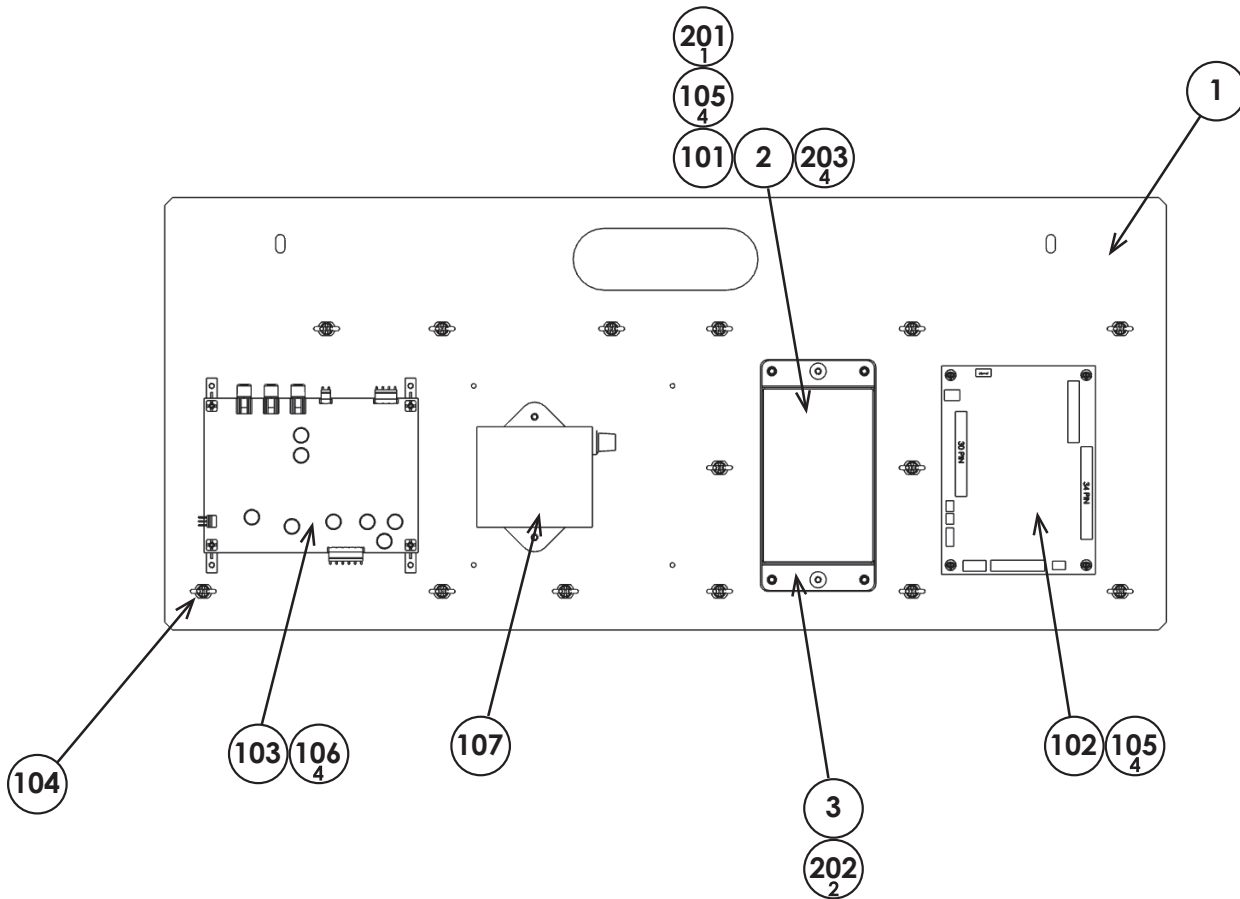
ITEM NO	PART NO	DESCRIPTION	QTY
****1	DR-3059UK	DISC SEAT REAR LED MOUNT	1
****101	838-0055UK	PCBA LED QUADRANT	4
****201	012-P03512-FB	N6x1/2" S/TAP FLG BLK	16
****301	DR-60013UK	WH SEAT BACK SERIAL	1

19 ASSY JOYSTICK (DR-3070UK)



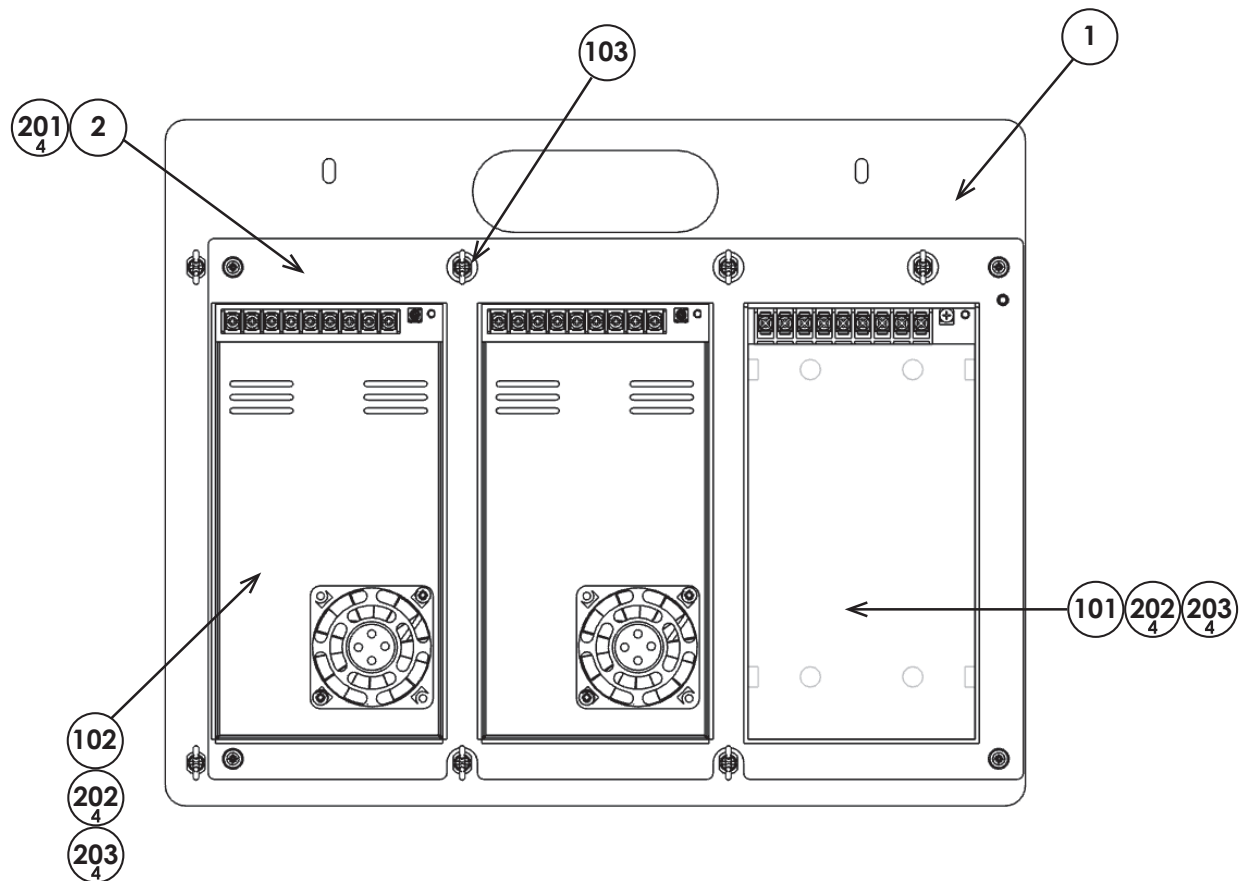
ITEM NO	PART NO	DESCRIPTION	QTY
***1	DR-3071UK	MOUNT JOYSTICK	1
***2	DR-3072UK	PANEL JOYSTICK LIGHTING	1
***101	601-0009-01UK	CONTROLLER JOYSTICK	1
***102	SAI-6101-0800UK	RGB LONG 800MM	1
***201	020-B00425	M4x25 SKT BH PAS	6
***202	060-F00400	M4 WSHR FORM A FLT PAS	6
***301	DR-60009UK	WH JOYSTICK	1

20 ASSY MAIN ELEC (DR-4000UK)



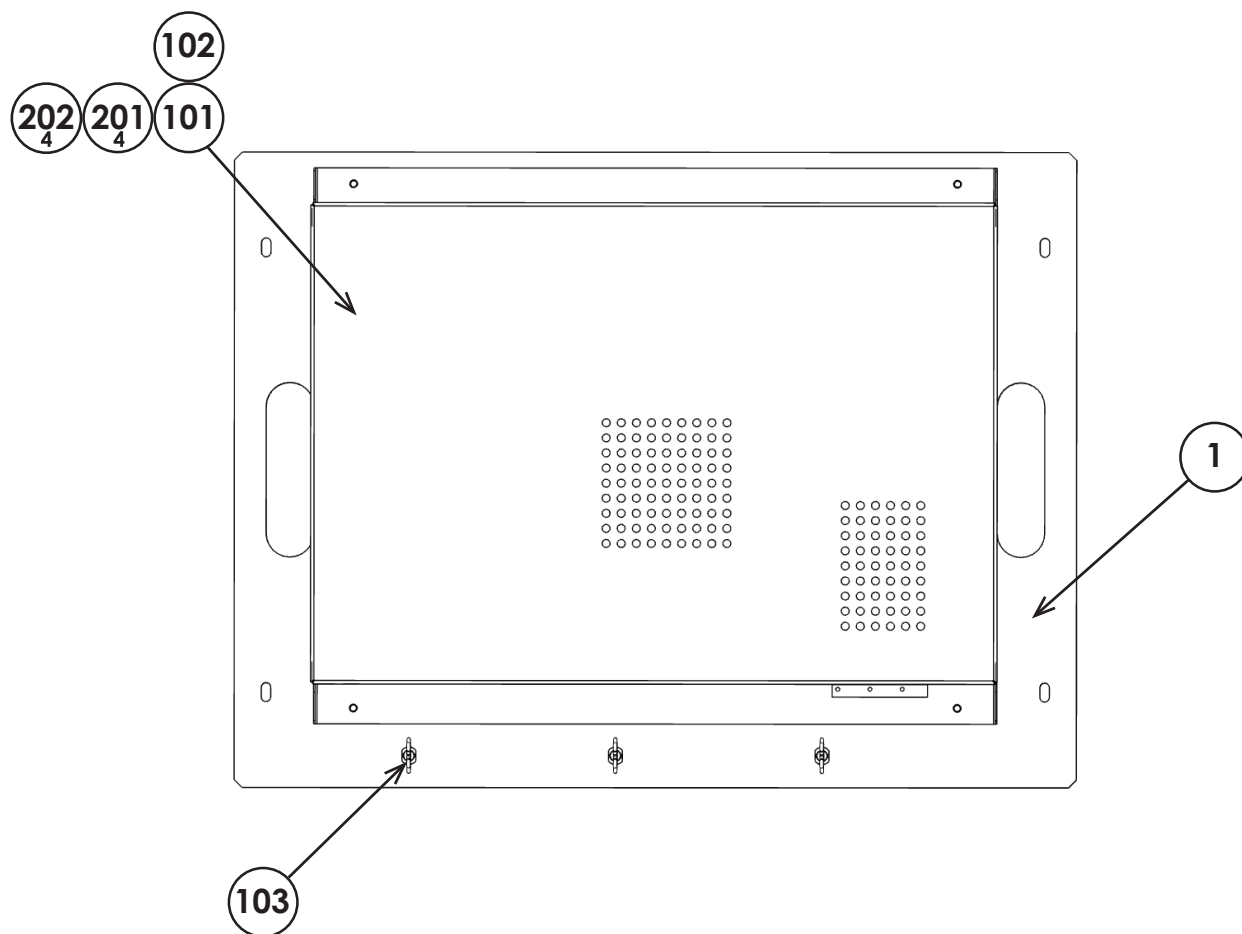
ITEM NO	PART NO	DESCRIPTION	QTY
***1	DR-4001UK	BOARD ELEC	1
***2	MB-1053UK	BOX WOOFLY COVER	1
***3	MB-1057UK	PLATE BASE WOOFLY COVER	1
***101	838-0053UK	PCBA WOOFLY3	1
***102	838-0042UK	PCBA IO2	1
***103	838-0043UK	PCBA AMP 3CH	1
***104	280-A012640-WX	ROUTER TWIST D12 S06.4 WOOD XL	14
***105	280-L00640-WX	STANDOFF 6MM WOOD XL	8
***106	OS1011	PCB FEET RICHCO LCBS-L-5-01	8
***107	838-8001UK	AMP 2.2 VISATON	1
***201	012-P03506-F	N6X1/4" S/TAP FLG PAS	8
***202	012-P03512-F	N6X1/2" S/TAP FLG PAS	2
***203	050-F00400	M4 NUT FLG SER PAS	4
***301	DR-60003UK	WH BOARD ELEC	1

21 ASSY PSU ELEC (DR-4100UK)



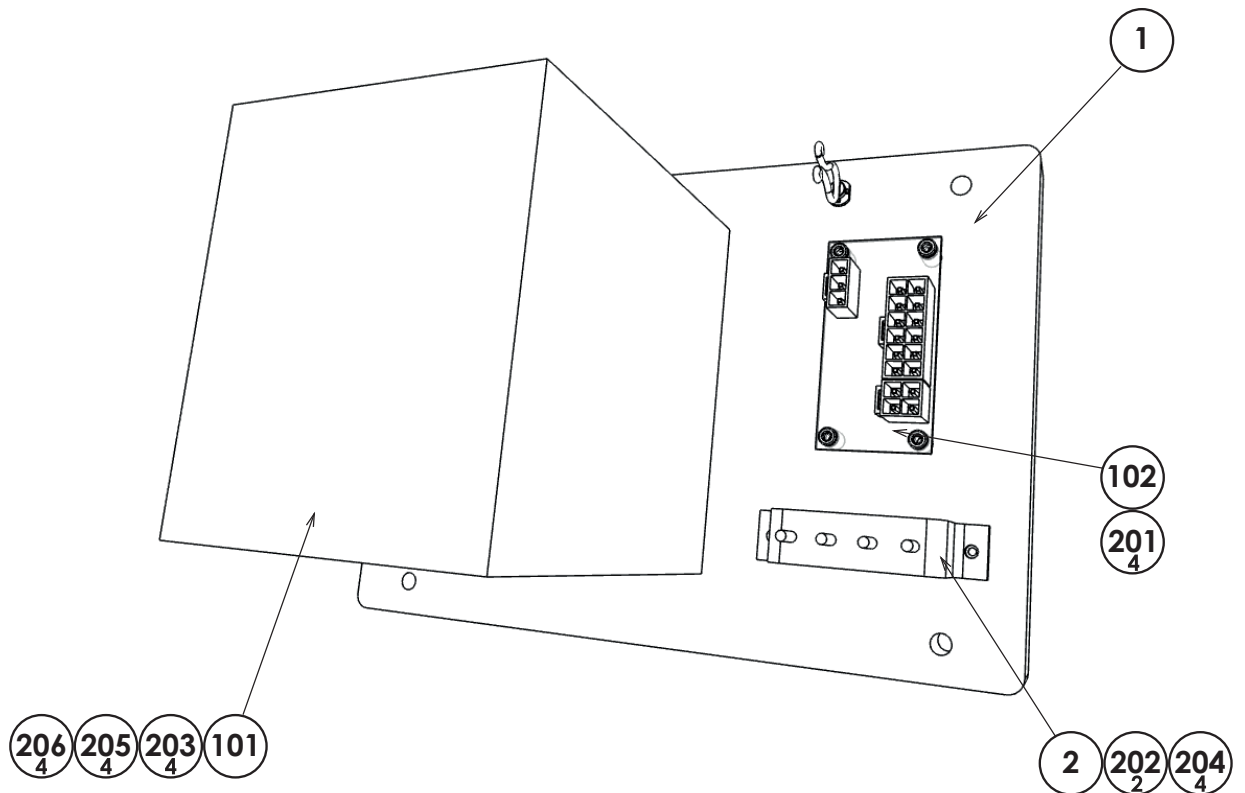
ITEM NO	PART NO	DESCRIPTION	QTY
***1	DR-4101UK	BOARD PSU	1
***2	DR-4102UK	PLATE PSU	1
***101	400-200-005-02	PSU 5VDC 200W RSP-200-05	1
***102	400-320-012-01	PSU 12VDC 320W RSP-320-12	2
***103	280-A012640-WX	ROUTER TWIST D12 S06.4 WOOD XL	7
***201	012-P03512-F	N6X1/2" S/TAP FLG PAS	4
***202	029-B00416	M4X16 SKT BH PAS	12
***203	068-441616	M4 WSHR 16OD FLT PAS	12
***301	DR-60001UK	WH AC DISTRIBUTION OUT	1
***302	DR-60002UK	WH AC DISTRIBUTION	1

22 ASSY MAIN BD (DR-4200UK)



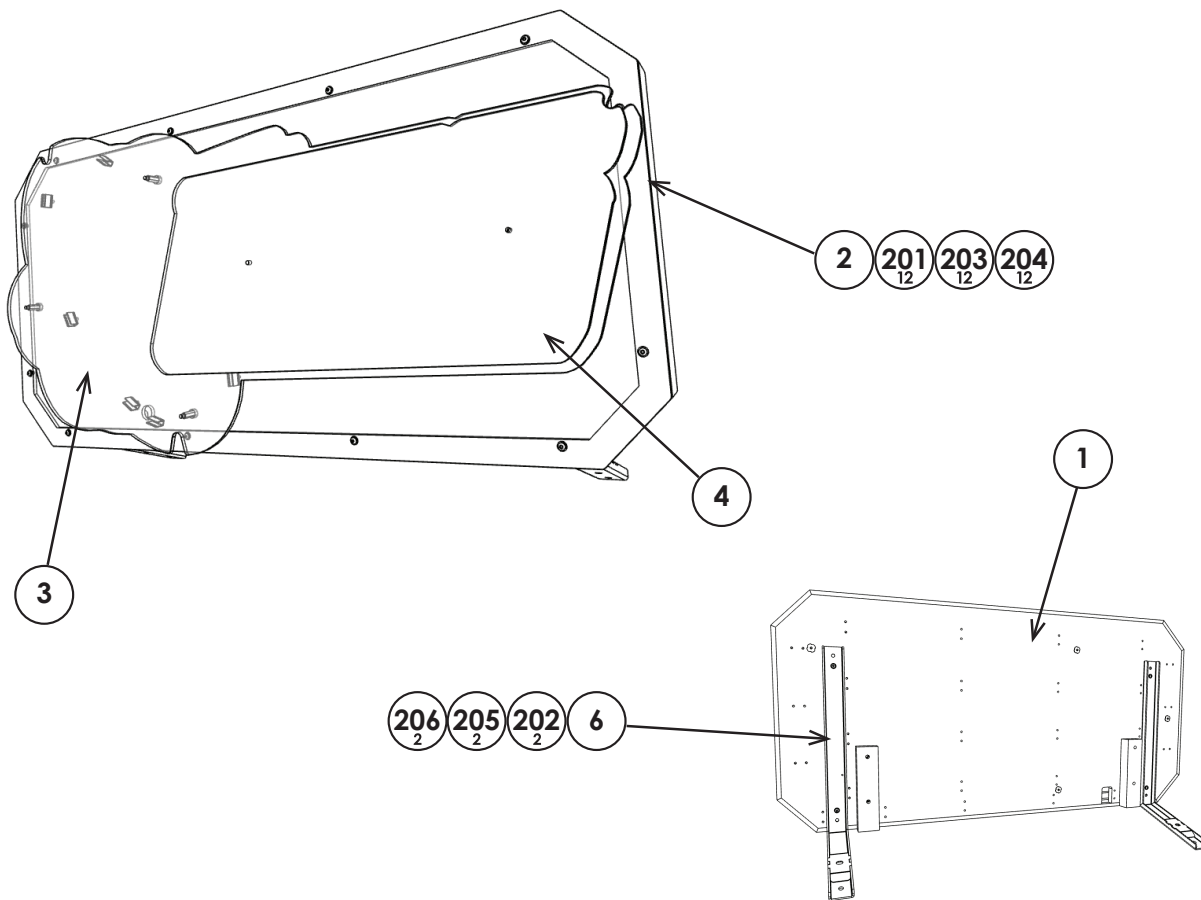
ITEM NO	PART NO	DESCRIPTION	QTY
***1	DR-4201UK	BOARD MAIN	1
***101	610-0016-01UK	ASSY PC HIGH SPEC CI 44012	1
***102	EP3004-00BL	DK DR STD EU/US BLU	1
***103	280-A020640-WX	ROUTER TWIST D20 S06.4 WOOD XL	3
***201	029-B00412	M4X12 SKT BH PAS	4
***202	068-441616	M4 WSHR 16OD FLT PAS	4
***301	600-7011-0200UK	CA DVI TO DVI 200CM	1
***302	600-7142-200UK	ASSY USB CABLE	1
***303	600-7158-0150UK	CA AUDIO RCA TO RCA 150CM	2
***304	600-7269-0200UK	ASSY LAN CABLE 0200CM	1
***305	MI-60027UK	WH JACK TO RCA	2

23 ASSY XFMR BD (DR-4300UK)



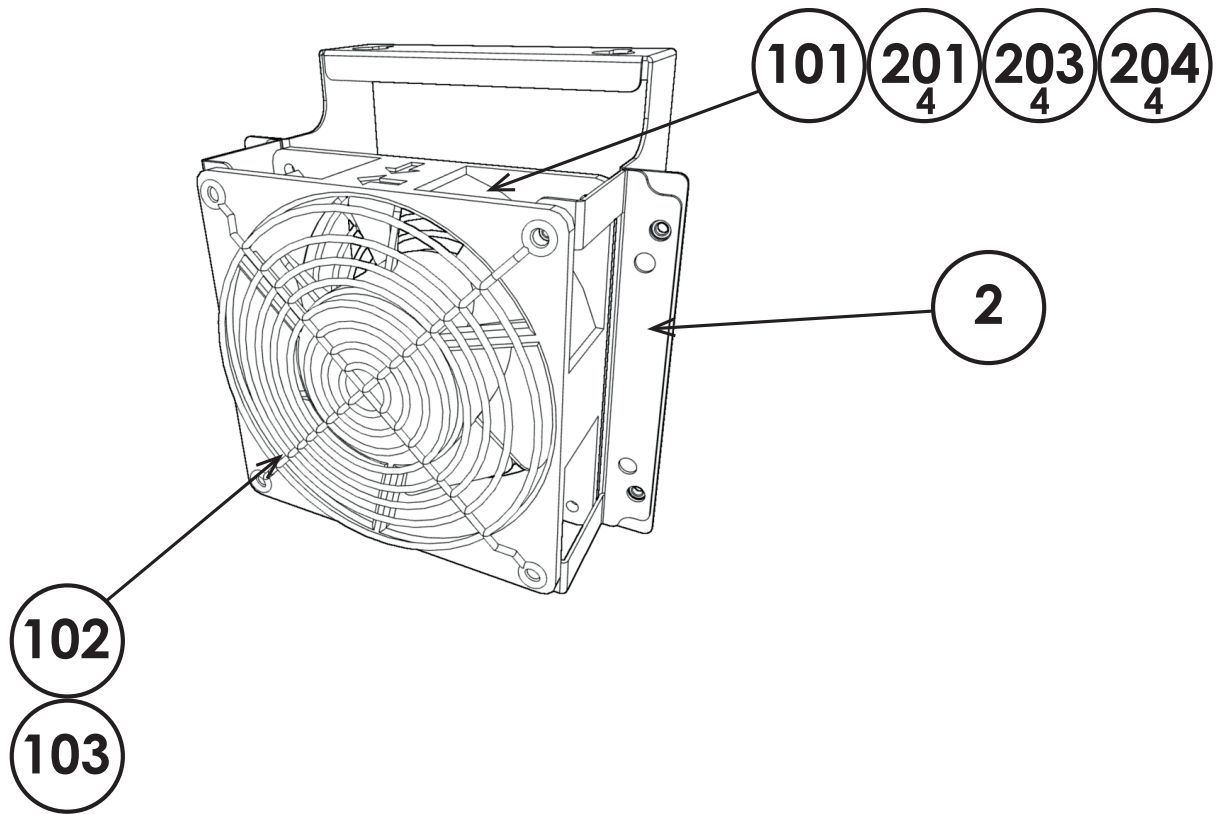
ITEM NO	PART NO	DESCRIPTION	QTY
***1	HDZ-4301XUK	BOARD XFMR	1
***2	CFB-4003-01UK	EARTH TERMINAL PLATE	1
***101	560-1111-02UK	XFMR US BLOCK 800VA ST800-11-11	1
***102	838-14551-02UK	AC DISTRIBUTION BD	1
***201	012-P00325	N4X1" S/TAP PAN PAS	4
***202	012-P03512-F	N6X1/2" S/TAP FLG PAS	2
***203	029-B00616	M6X16 SKT BH PAS	4
***204	050-F00400	M4 NUT FLG SER PAS	4
***205	060-S00600	M6 WSHR SPR PAS	4
***206	068-652016	M6 WSHR 200D FLT PAS	4
***301	MB-60002UK	WH AC DIST TO GAMEBOARD	1
***302	MSJ-60002UK	WH TRANSFORMER	1
***303	MSJ-60003UK	WH AC DISTRIBUTION IN	1

24 ASSY BILLBOARD (DR-5000UK)



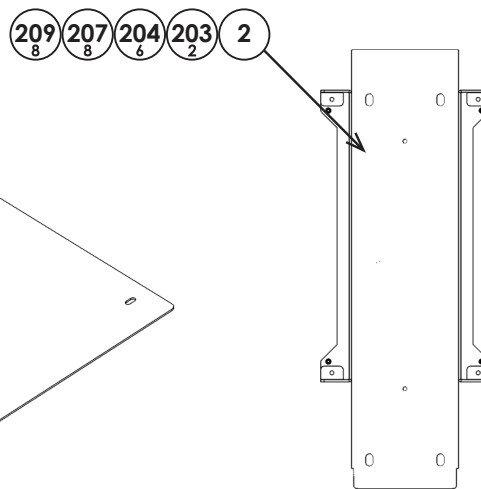
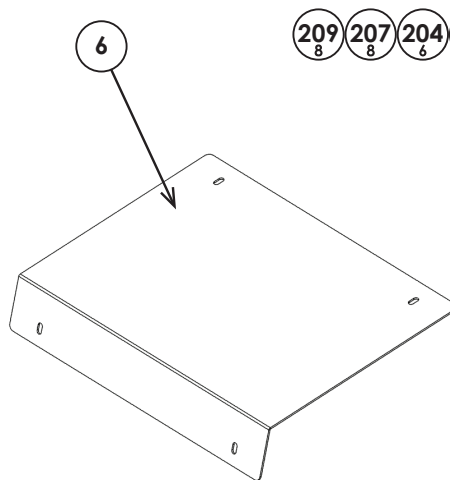
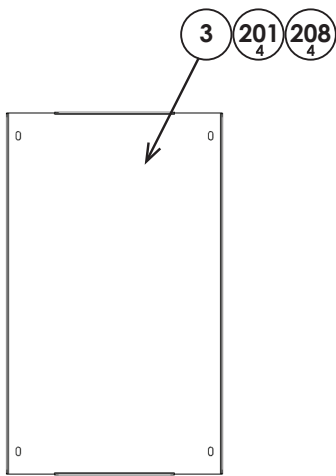
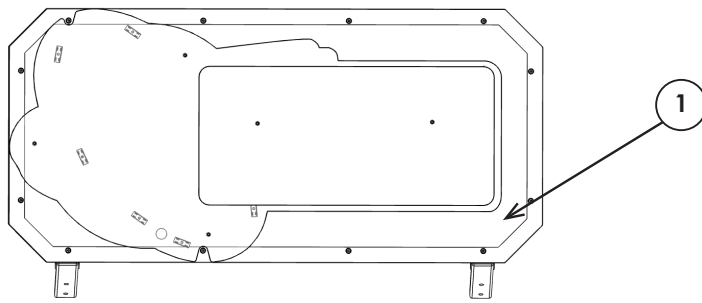
ITEM NO	PART NO	DESCRIPTION	QTY
***1	DR-5001UK	BOX BB REAR	1
***2	DR-5002UK	BORDER PANEL	1
***3	DR-5003UK	DRONE PANEL	1
***4	DR-5004UK	NAMESTYLE PANEL	1
***6	DR-5007UK	BRKT BILLBOARD LOCATING	2
***101	SAI-6603-825UK	LED LONG RIGID WHITE 825MM	4
***102	SAI-6307-1196UK	NEON SERIAL LONG 1196mm	1
***103	601-0460	CABLE TIE NYLON 100MM	28
***104	280-0021UK	M4 SPACER HEX 7AF 25L PAS	7
***201	029-B00425	M4X25 SKT BH PAS	12
***202	029-B00625	M6X25 SKT BH PAS	4
***203	060-F00400	M4 WSHR FORM A FLT PAS	12
***205	060-S00600	M6 WSHR SPR PAS	4
***206	068-652016	M6 WSHR 200D FLT PAS	4
***207	029-B00316	M3X16 SKT BH PAS	7
***301	DR-60006UK	WH BILLBOARD LIGHTING	1

25 ASSY MONITOR FAN (HDZ-1010XUK)

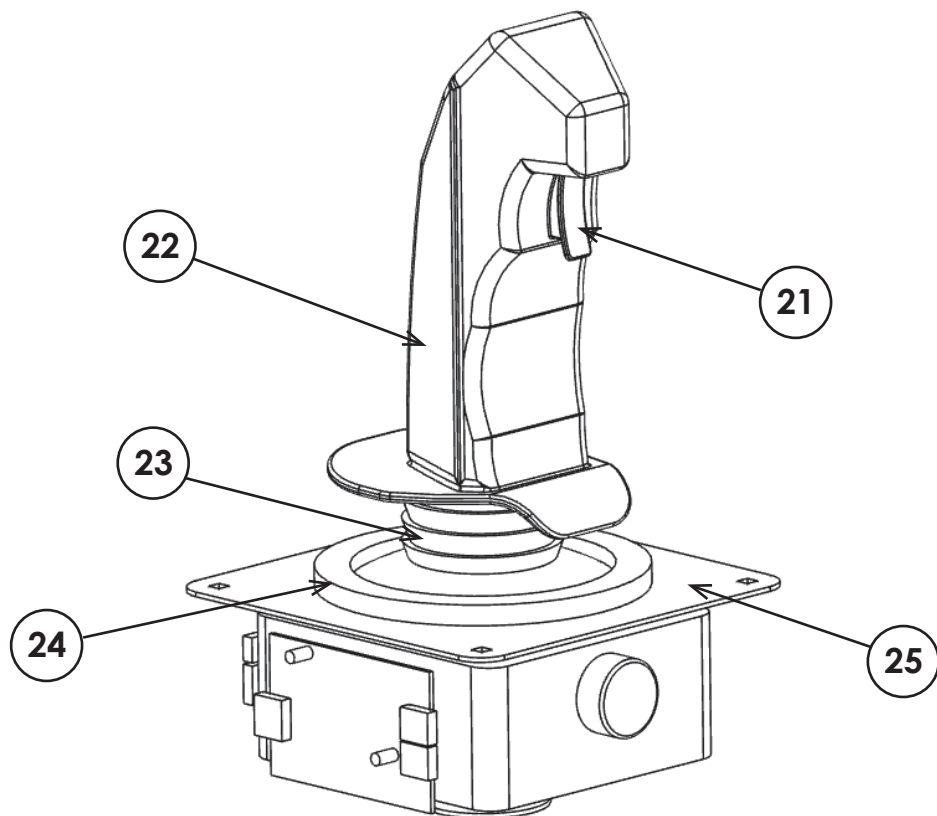
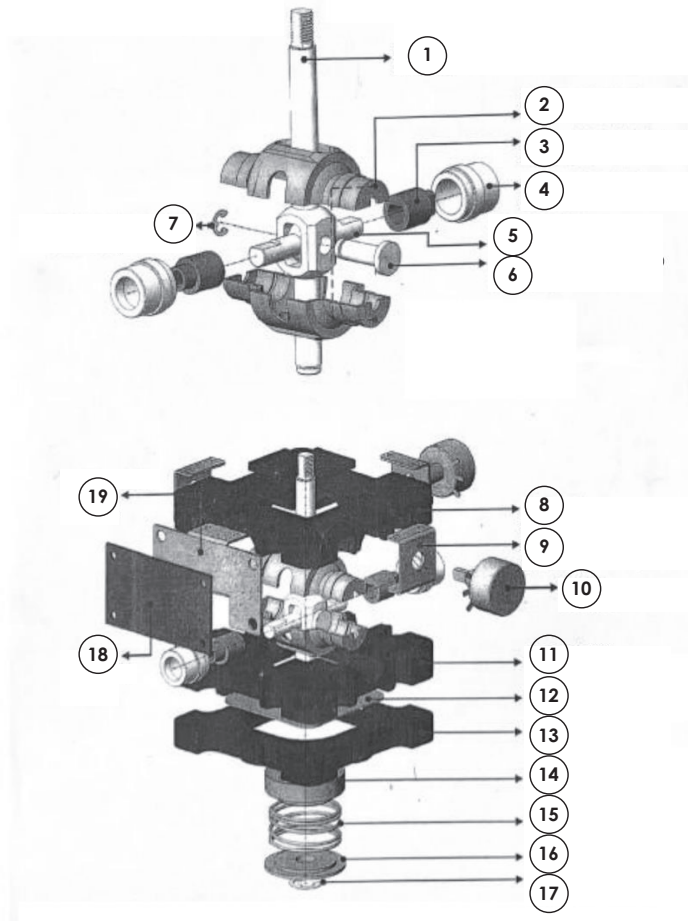


ITEM NO	PART NO	DESCRIPTION	QTY
***2	HDZ-1013UK	BRKT FAN LOCATING	2
***101	260-0012-01UK	FAN DC 12V AXIAL	1
***102	FN1012	FAN GUARD METAL 120MM (FG-12)	2
***103	OS1195	RIVET SNAP SR-4080B	4
***201	020-B00316-0B	M3X16 SKT BH BLK	4
***203	060-S00300-0B	M3 WSHR SPR BLK	4
***204	060-F00300-0B	M3 WSHR FORM A FLT BLK	4
***301	DB-60030UK	WH LED WHT	1

26 ASSY INST KIT DR STD (DR-INST-STD)



ITEM NO	PART NO	DESCRIPTION	QTY
**1	DR-5000UK	ASSY BILLBOARD	1
**2	DR-0001UK	JOINT BRIDGE	1
**3	DR-0006UK	COVER JOINT BRIDGE	1
**6	DR-0014UK	PLATE JOINT BRIDGE ACCESS	1
**101	LM1227	UK MAINS LEAD 10A WITH PLUG	1
**102	LM1246	EUROLEAD 10A EUROPEAN SOCKET	1
**103	LM1500UK	MAINS LEAD USA/IEC H80-1205-00	1
**201	029-B00412-OB	M4X16 SKT BH BLK	4
**202	029-B00425-OB	M4X25 SKT BH BLK	4
**203	029-B00816-OB	M8X16 SKT BH BLK	2
**204	029-B00840-OB	M8X40 SKT BH BLK	6
**207	060-S00800-OB	M8 WSHR SPR BLK	8
**208	068-441616-OB	M4 WSHR 16OD FLT BLK	8
**209	068-852216-OB	M8 WSHR 22OD FLT BLK	8
**301	RND-60055UK	WH COIN MECHANICAL	1
**401	OS1019	SELF SEAL BAG 9X12.3/4	1



ITEM NO	PART NO	DESCRIPTION	QTY
**1	601-0009-01-01	BEARING SHAFT	1
**2	601-0009-01-02	LEFT/RIGHT RESISTANCE CONNECTOR	1
**3	601-0009-01-03	FORWARD/BACKWARD RESISTANCE BASE	1
**4	601-0009-01-04	FORWARD/BACKWARD RESISTANCE CONNECTOR	1
**5	601-0009-01-05	FORWARD/BACKWARD LINKAGE	1
**6	601-0009-01-06	FORWARD/BACKWARD LINKAGE RETAINER	1
**7	601-0009-01-07	FORWARD/BACKWARD LINKAGE RETAINER CIRCLIP	1
**8	601-0009-01-08	UPPER SEAT	1
**9	601-0009-01-09	POTENTIAL FIXING SEAT	1
**10	601-0009-01-10	POTENTIOMETER	1
**11	601-0009-01-11	LOWER SEAT	1
**12	601-0009-01-12	SPRING RETAINER (TOP)	1
**13	601-0009-01-13	GUIDE FIXED COVER	1
**14	601-0009-01-14	SPRING SEAT	1
**15	601-0009-01-15	SPRING	1
**16	601-0009-01-16	SPRING RETAINER (BTM)	1
**17	601-0009-01-17	SPRING CIRCLIP	1
**18	601-0009-01-18	CONTROL PANEL	1
**19	601-0009-01-19	CONTROL PANEL FIXING SEAT	1
**20	601-0009-01-20	TRIGGER	1
**21	601-0009-01-21	GRIP	1
**22	601-0009-01-22	RUBBER SEAT	1
**23	601-0009-01-23	RUBBER RETAINER	1
**24	601-0009-01-24	FIXED BOTTOM PLATE	1