



DCM-300BAH

SANITARY CUBELET ICE MACHINE/DISPENSER



DCM-300BAH
07/02/24
Item # 13284


Item #: _____
 Project: _____
 Qty: _____
 AIA#: _____

- W x D x H**
26" x 22^{1/2}" x 40"
- SD-450**
26^{1/4}" x 22" x 32^{1/2}"
- SD-500**
25^{7/8}" x 22" x 32^{3/4}"



DCM-300BAH
Air-Cooled
Shown with optional
SD-450 Stand

Features

- ▶ Durable stainless steel exterior
- ▶ Advanced CleanCycle24™ design 
- ▶ Stainless steel auger with greaseless bearing

- Up to 321 lbs. of ice production per 24 hours
- Built-in storage capacity of 1.3ft³/40 lbs.*
- 2 second flush cycle every hour
- Corrosion resistant stainless steel exterior
- Easy to chew, cubelet ice
- Self-contained design reduces opportunities for cross contamination
- Dispenses ice and water
- R-404A Refrigerant

Warranty:

3 Year Parts & Labor on entire machine.
5 Year Parts on Compressor; air-cooled condenser coil.
Valid in United States, Canada, Puerto Rico and U.S. Territories. Contact factory for warranty in other countries.

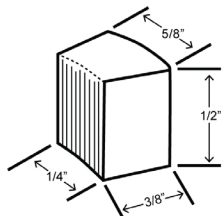
*Rated in accordance with AHRI Standard 820(I-P). Capacity based on 100% of total volume x 30 lb/ft³ average density of ice.

Ice Machine Shipping: (LxWxH) 33" x 25.25" X 46" Volume: 22.18ft³



Condenser	Model	ICE PRODUCTION		WATER USAGE			ELECTRICAL						
		Air / Water Temp		Potable	Condenser	kWh Used	Min. Circuit/	Amperage	Voltage	Circuit Wires (including ground)	Heat Rejection BTU/hr.	Refrigerant Charge Amount	Net / Ship Weight (lbs.)
		70°/ 50°F	90°/ 70°F	Gal. per 100 lbs. 90°/ 70°F	Gal. per 100 lbs. 90°/ 70°F	per 100 lbs. 90°/ 70°F	Max. Fuse Size						
Air-Cooled	DCM-300BAH	321	232	12.5	N/A	6.84	20A	10.25A	115V/60/1	3	3,500	15.9 oz.	215 / 220

Cubelet Dimensions*



* approximate size in inches, image not to scale

Operating Limits

- Ambient Temp Range 45 - 100°F
- Water Temp Range 45 - 90°F
- Water Pressure 10 - 113 PSIG
- Voltage Range 104 - 127V
- If GFCI is required, a GFCI breaker MUST be used in lieu of GFCI receptacle

Service

- Allow 6" (15 cm) clearance at rear and sides for proper air circulation and ease of maintenance/ service should they be required. Allow 24" (61 cm) clearance at top to allow for removal of the auger.

Plumbing

- Icemaker Water Supply Line: Minimum 1/4" Nominal ID Copper Water Tubing or Equivalent
- Icemaker Drain Line: Minimum 3/4" Nominal ID Hard Pipe or Equivalent

Water Filter

Please refer to water filter specification sheet for recommendations.

Hoshizaki reserves the right to change specifications without notice.



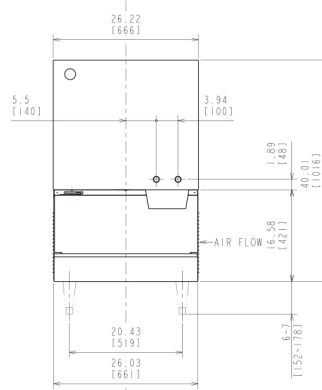
DCM-300BAH

SANITARY CUBELET ICE MACHINE/DISPENSER



DCM-300BAH
07/02/24
Item # 13284

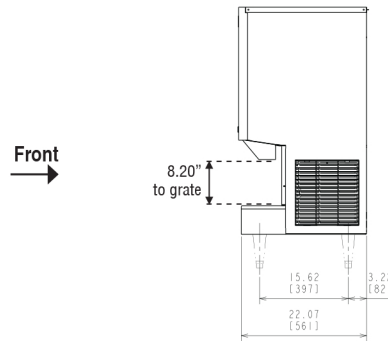
FRONT VIEW



inch
[mm]

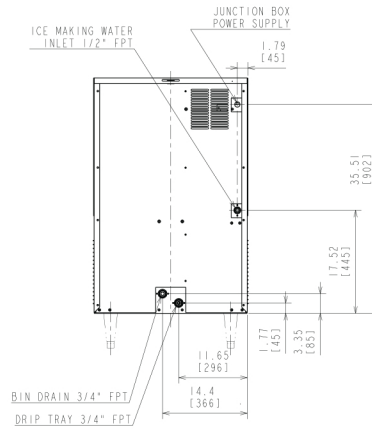
AIR-COOLED

SIDE VIEW



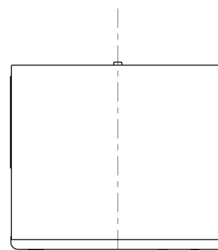
AIR-COOLED

REAR VIEW



AIR-COOLED

TOP VIEW



Front ↑
AIR-COOLED



www.avscpanies.com
(847) 439-9400 | sales@avscpanies.com

© HOSHIZAKI AMERICA, INC.