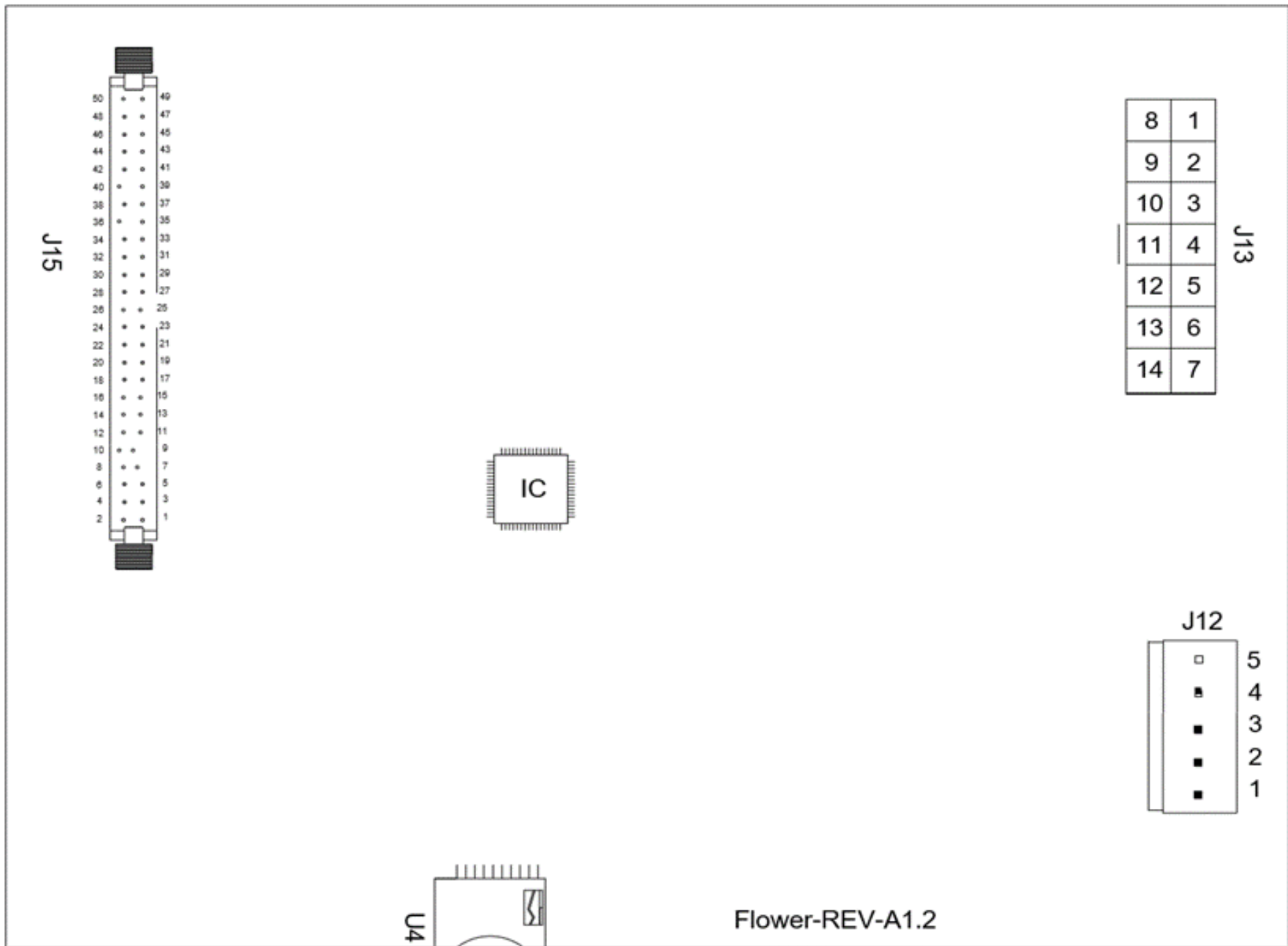
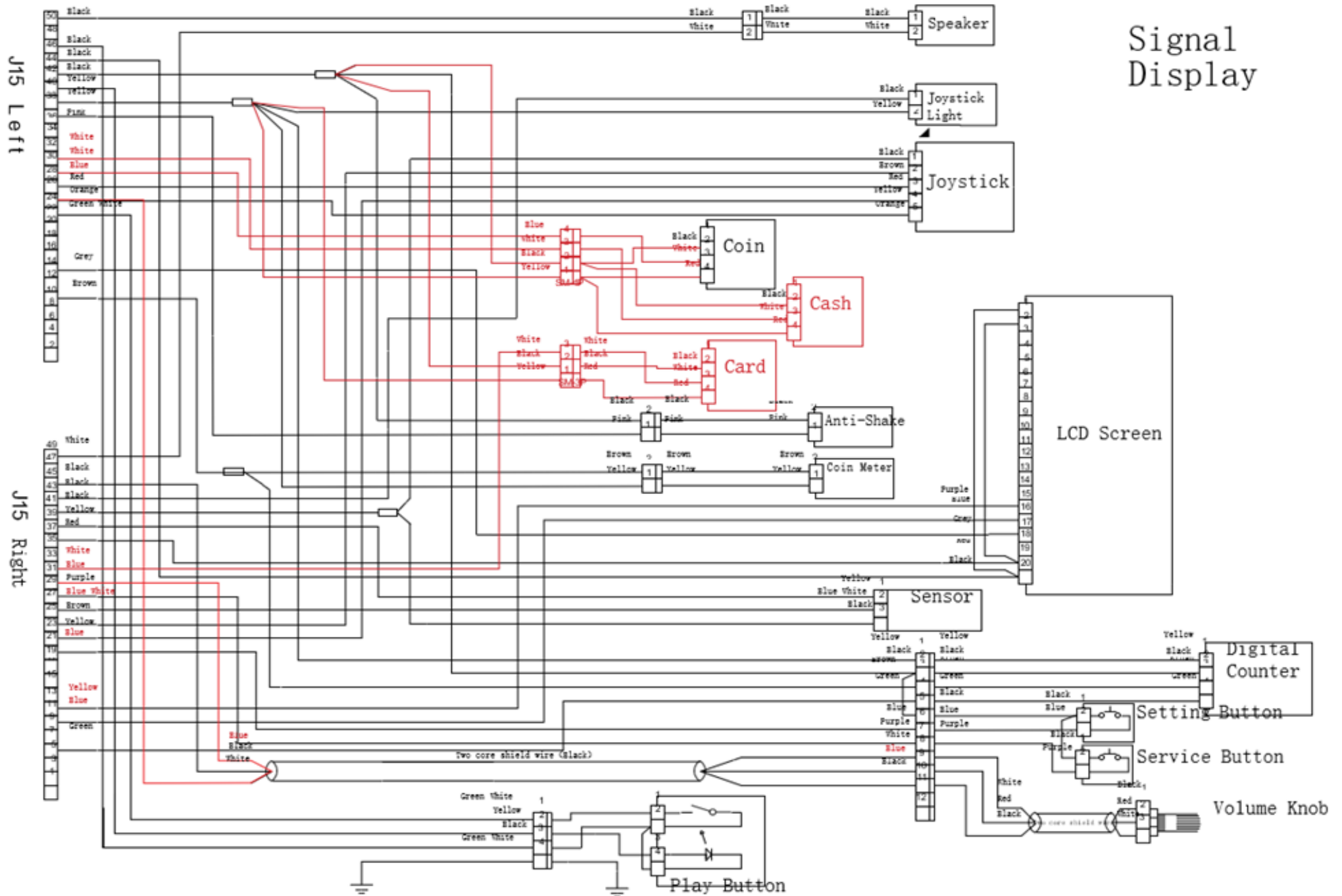
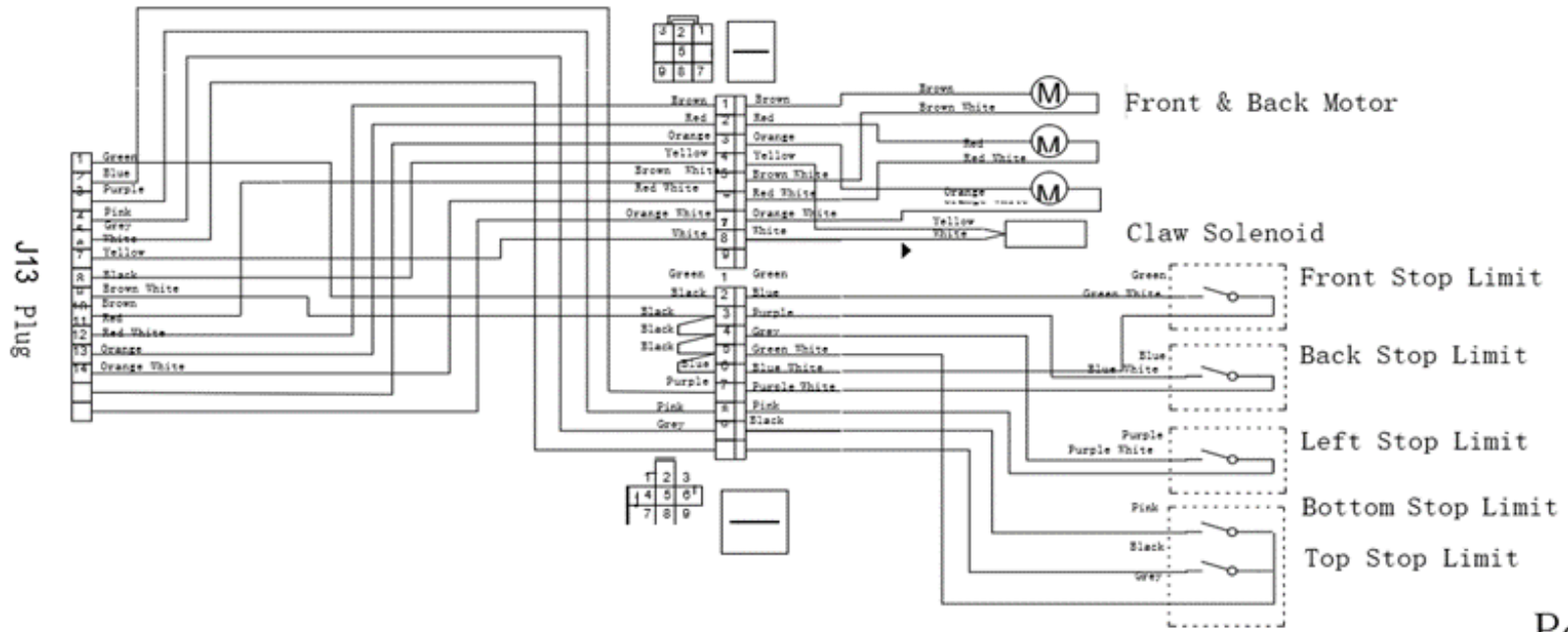


SCHEMATIC DIAGRAMS





Crane



Power Supply

