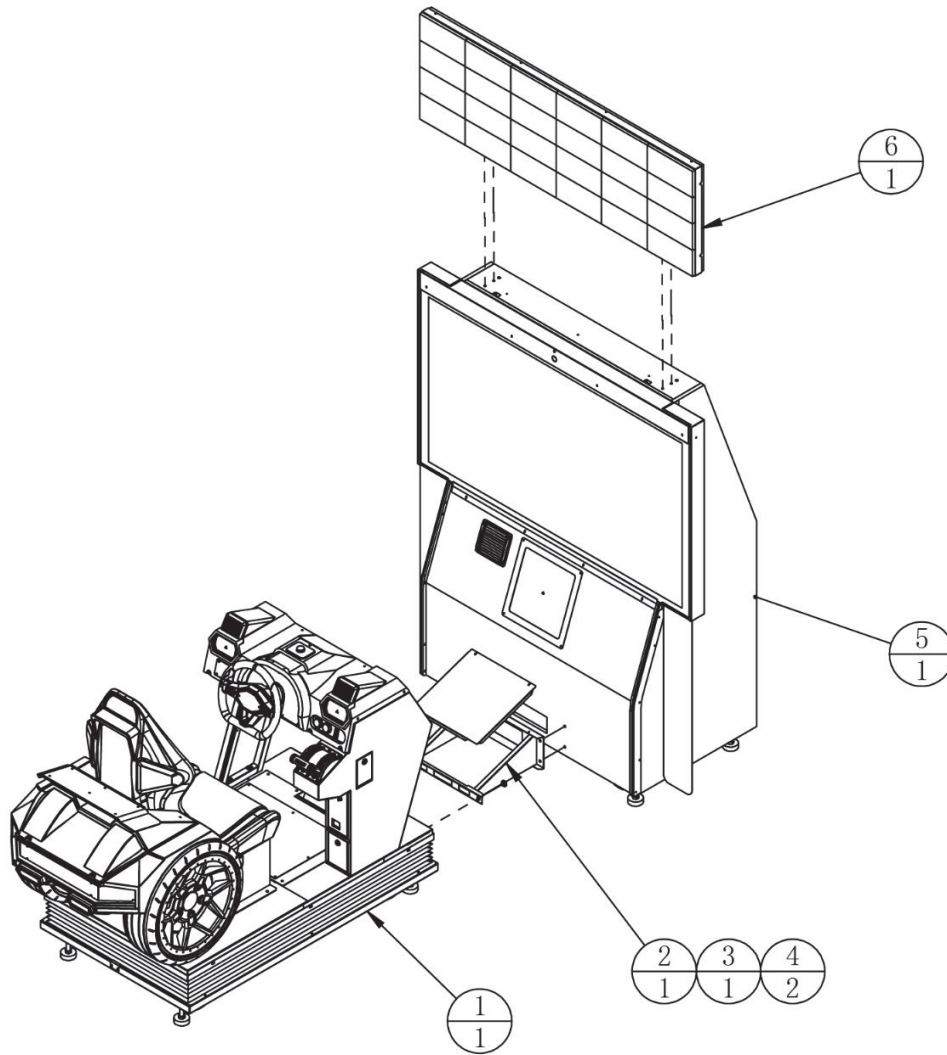


7. Assembly

7.1 Assembly Tree Diagram

ATC-0000000 Final assembly	ATC-0100000 Seat Assembly	ATC-0101000 Base Assembly
		ATC-0102000 Motion Platform assembly
		ATC-0103000 Seat assembly
		ATC-0104000 Console assembly
		ATC-0105000 Steering Assembly
		ATC-0106000 Pedal assembly
		ATC-0107000 Console assembly
		ATC-0108000 Steering w heel assembly
		ATC-0109000 Pneumatic valve assembly
		ATC-0110000 Gearshift assembly
		ATC-0111000 Gas-jet assembly
		ATC-0112000 Left speaker assembly
		ATC-0113000 Right speaker assembly
		ATC-0114000 Left Blow er Assembled
		ATC-0115000 Right Blow er Assembled
		ATC-0116000 Coin door assembly
		ATC-0117000 Cash box assembly
		ATC-0118000 Console side door assembly
		ATC-0119000 Service panel assembly
		ATC-0120000 Rear end assembly
	ATC-0200000 65' frame assembly	ATC-0201000 Wooden frame assembly
		ATC-0202000 Air compressor assembly
		ATC-0204000 Main unit assembly
		ATC-0205000 Pow er sw itch assembly
		ATC-0206000 Transformer assembly
		ATC-0207000 Air compressor door assembly
		ATC-0208000 PC door assembly
		ATC-0209000 Fan assembly
		ATC-0210000 Intake fan assembly
		ATC-0211000 LCD door assembly
		ATC-0213000 Camera Assembly
		ATC-0214000 Filter assembly
		ATC-0215000 Sink assembly
		ATC-0216000 65" LCD Assembly
	ATC-0300000 LED Panel assembly	

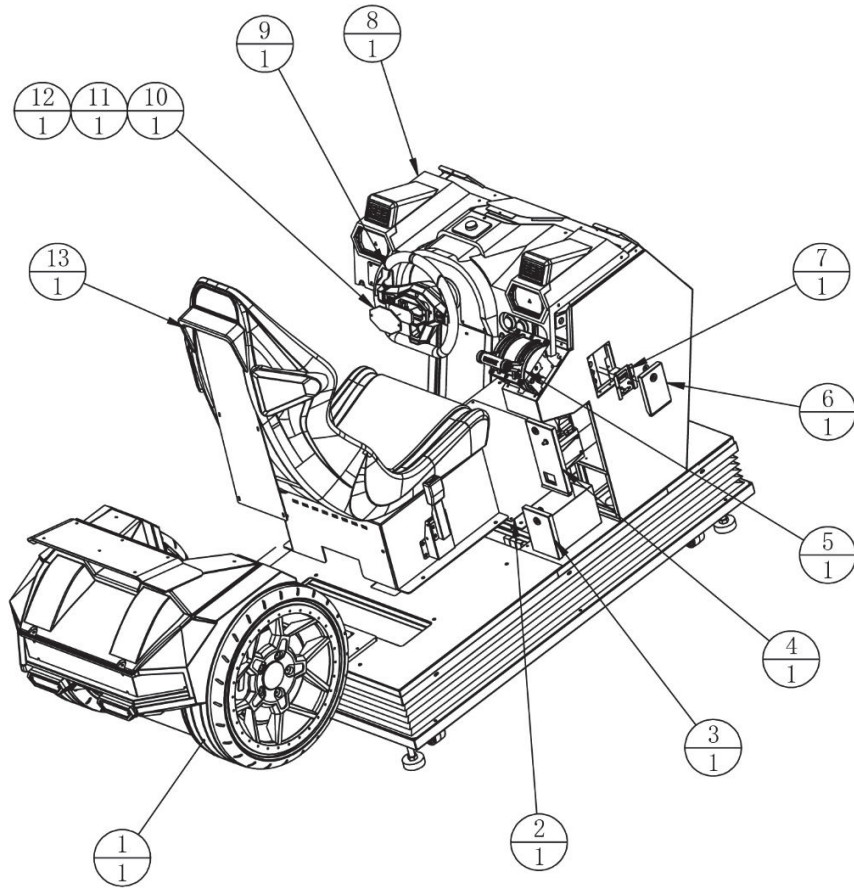
7.2 General Assembly Diagram



6	ATC-0300000	LED Panel assembly		1	
5	ATC-0200000	65' frame assembly		1	
4	ATC-0000A03	Spacer column	POM Black	2	
3	ATC-0000A02	Connection cover plate	SPCC-1.2T	1	
2	ATC-0000A01	Connection plate	SPCC-1.5T	1	
1	ATC-0100000	Seat Assembly		1	
No.	Drawing No.	Name	Specification	Qty	Other

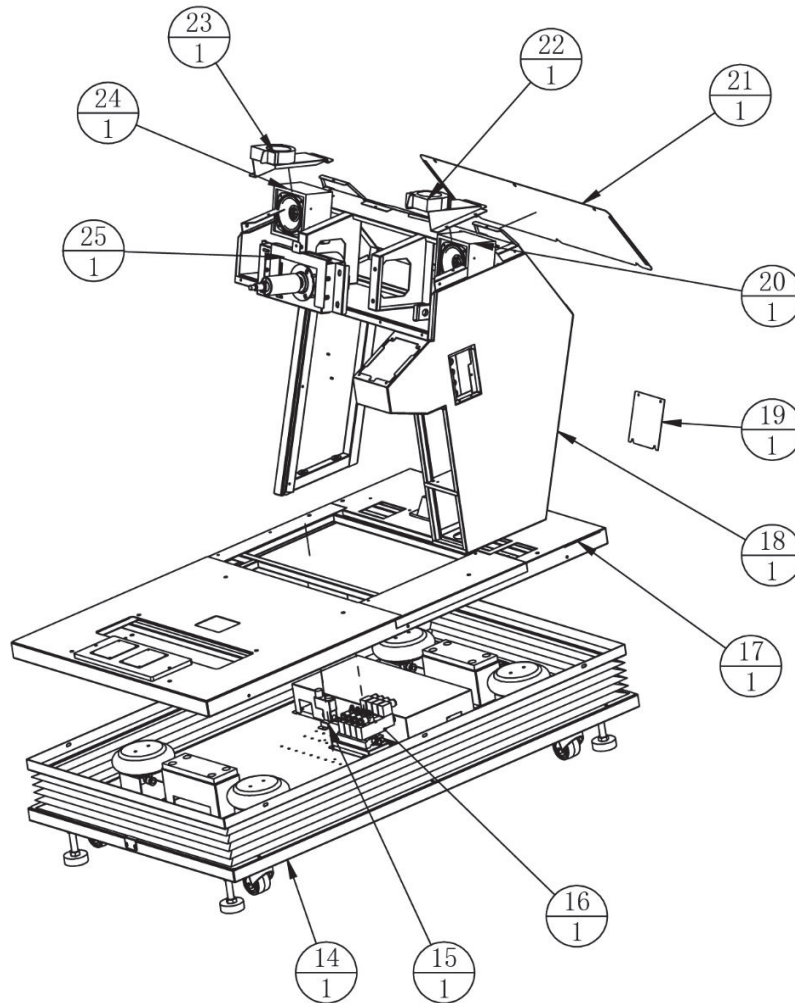
7.3 Seat Assembly

Seat Assembly (1/2)



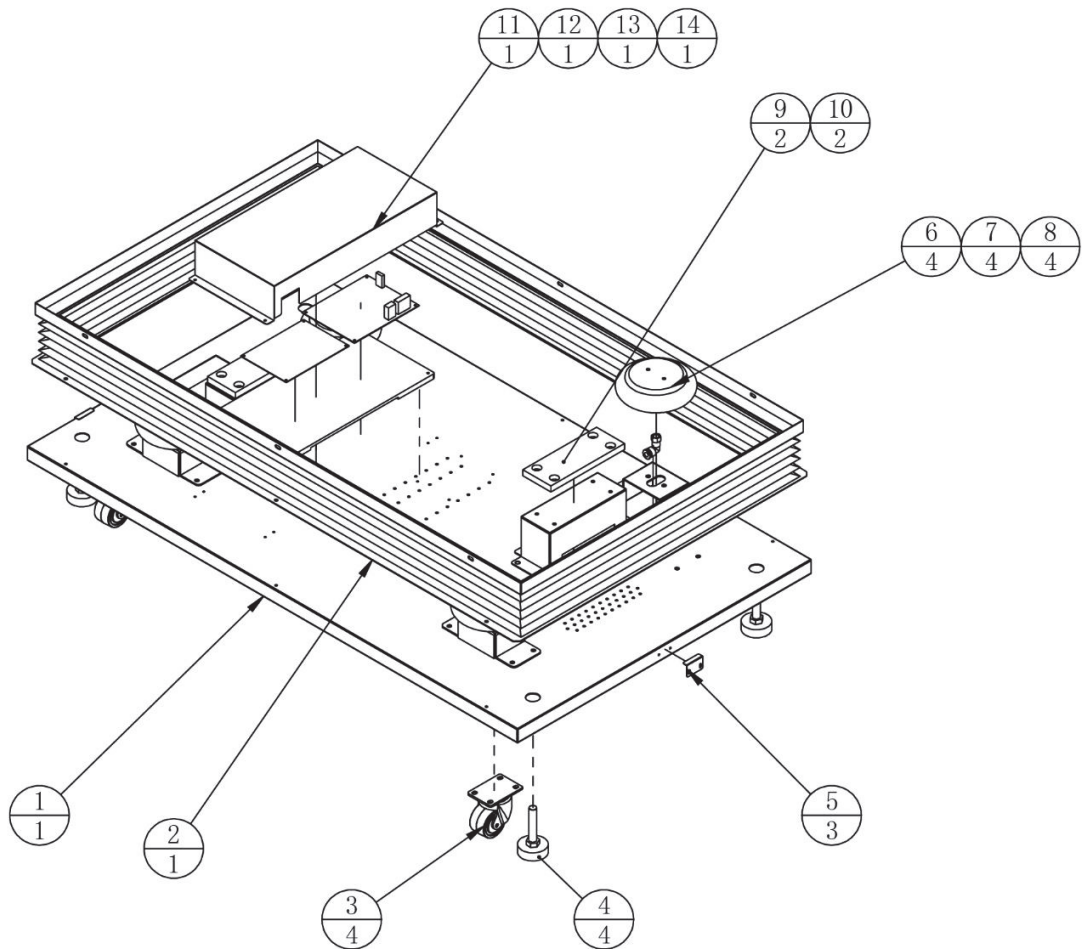
13	ATC-0103000	Seat assembly		1	
12	ATC-0100C01	Steering Wheel Covers	ABS	1	
11	ATC-0100D02	Steering Wheel Light Guide	PMMA-8.0T	1	
10	ATC-0100D01	Steering wheel trim plate	PMMA-3.0T	1	
9	ATC-0108000	Steering wheel assembly		1	
8	ATC-0107000	Console assembly		1	
7	ATC-0119000	Service panel assembly		1	
6	ATC-0118000	Console side door assembly		1	
5	ATC-0110000	Gearshift assembly		1	
4	ATC-0116000	Coin door assembly		1	
3	ATC-0117000	Cash box assembly		1	
2	ATC-0106000	Pedal assembly		1	
1	ATC-0120000	Rear end assembly		1	
No.	Drawing No.	Name	Specification	Qty	Other

Seat Assembly (2/2)



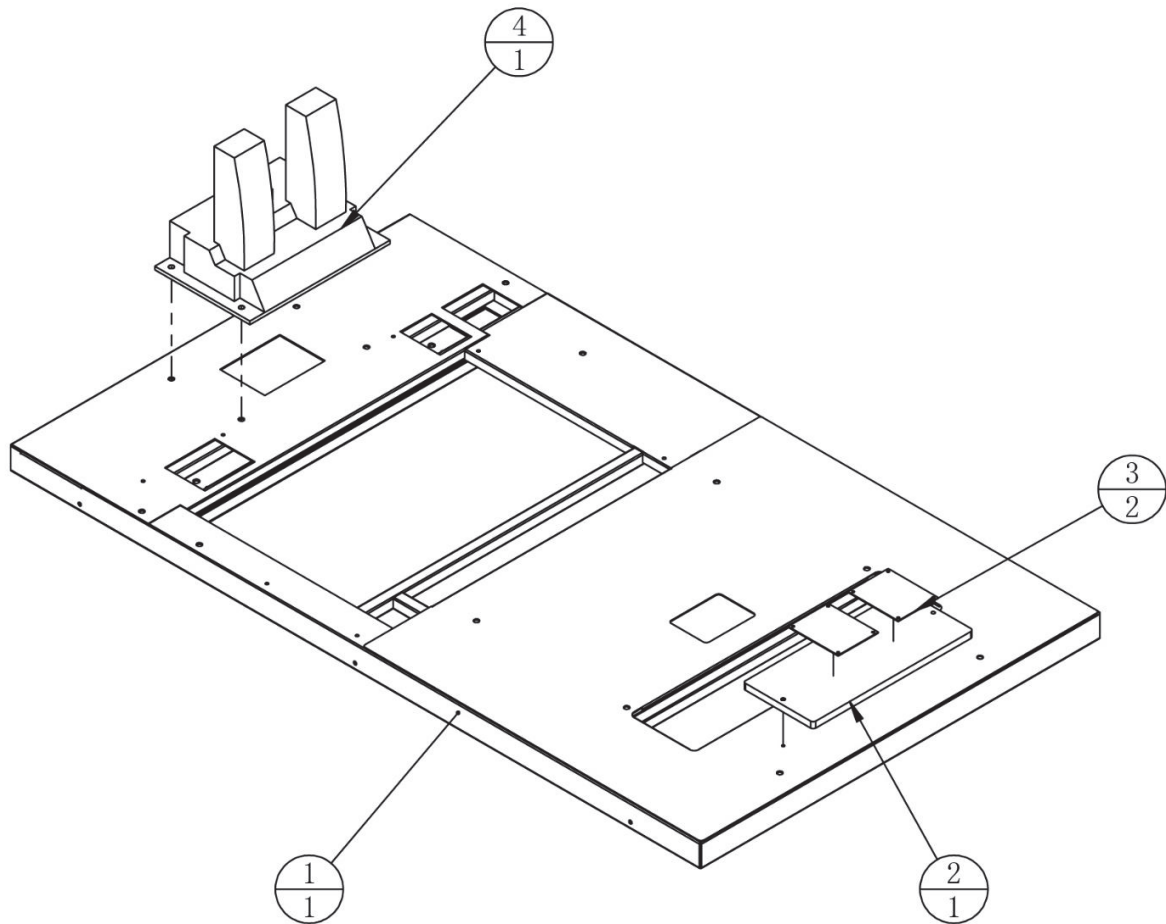
25	ATC-0105000	Steering Assembly		1	
24	ATC-0112000	Left speaker assembly		1	
23	ATC-0115000	Right Blower Assembled		1	
22	ATC-0114000	Left Blower Assembled		1	
21	ATC-0100A01	Console back cover	SPCC-1.2T	1	
20	ATC-0113000	Right speaker assembly		1	
19	ATC-0100A02	Console below cover	SPCC-1.2T	1	
18	ATC-0104000	Console assembly		1	
17	ATC-0102000	Motion Platform assembly		1	
16	ATC-0109000	Pneumatic valve assembly		1	
15	ATC-0111000	gas-jet assembly		1	
14	ATC-0101000	Base Assembly		1	
No.	Drawing No.	Name	Specification	Qty	Other

7.3.1 Base Assembly



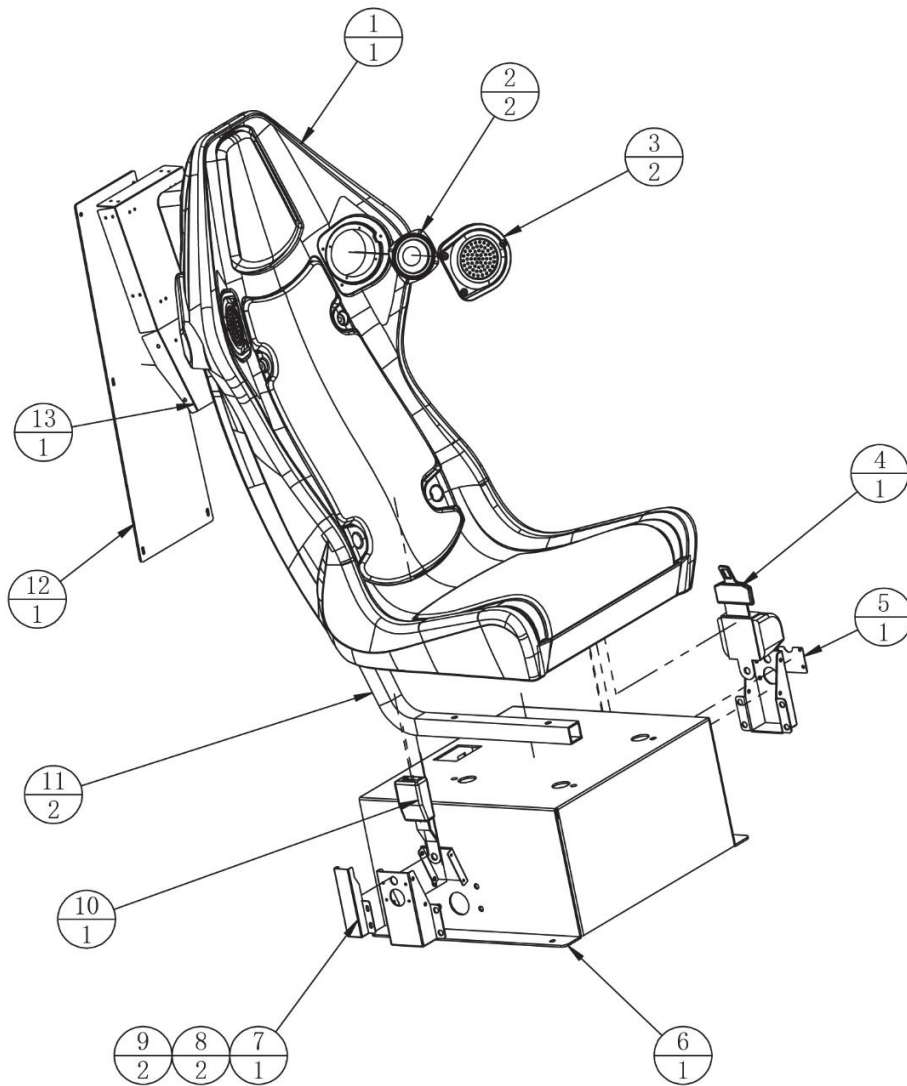
14	ATC-0101B01	PCB Plate 1	MDF-12.0T	1	
13	ATC-0101F01	RGBLEDBoard	FM-B0-03-01-01A	1	
12	ATC-0101F02	Motion board	FM-B0-02-01-02B	1	
11	ATC-0101A05	Waterproof cover	SPCC-1.0T	1	
10	ATC-0101A02	Limit base	SPCC-2.0T	2	
9	ATC-0101C01	Limit Rubber	PU	2	
8	ATC-0101A04	Airbag fixing plate	SPCC-3.0T	4	
7	TMW-0404G21	L-type threaded 2-way	APL10-02	4	
6	TMW-0403G61	Air bag	1B7070	4	
5	ATC-0101A06	Dust cover plate	SPCC-1.2T	3	
4	TMW-0102G01	Ground Screw (Rubber Bottom)	M16*100(color plated)	4	
3	TMW-0101G01	Casters		4	
2	ATC-0101A03	Dust cover		1	
1	ATC-0101A01	Base Plate		1	
No.	Drawing No.	Name	Specification	Qty	Other

7.3.2 Motion Platform Assembly



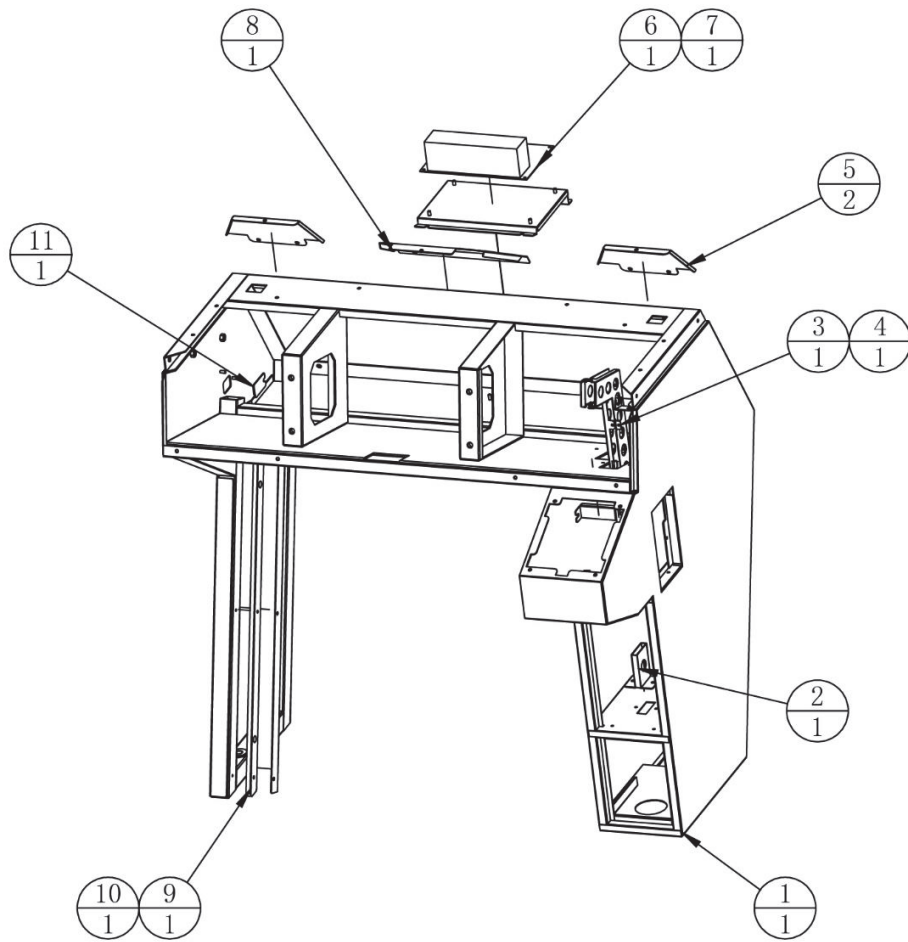
4	TMW-0403G51	Throttle Brake Components		1	
3	ATC-0102F01	SLEDBoard	FM-B0-03-02-01A	2	
2	ATC-0102B01	PCB Plate 2	MDF-12.0T	1	
1	ATC-0102A01	Motion platform		1	
No.	Drawing No.	Name	Specification	Qty	Other

7.3.3 Seat Assembly



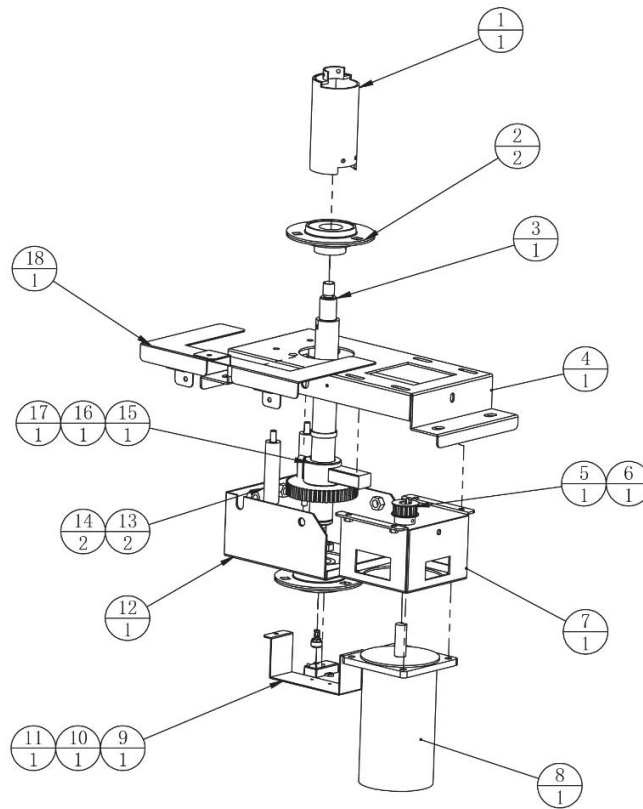
13	ATC-0103A01	Seat LED plate	SPCC-1.2T	1	
12	ATC-0103D01	Seat Decorative Panel	PMMA-3.0T	1	
11	ATC-0103A06	Seat Bend	30*30*2.5	2	
10	TMW-0601G05-01	Safety belts	Normally open	1	socket side
9	ATC-0103A03	Seat belt cover 2	SPCC-1.2T	2	
8	ATC-0103A04	Seat belt fixing iron	SPCC-2.0T	2	
7	ATC-0103A05	Seat belt cover 1	SPCC-1.5T	1	
6	ATC-0103A02	Seat Support	SPCC-3.0T	1	
5	ATC-0103A07	Wire cover	SPCC-1.2T	1	
4	TMW-0601G05-02	Safety belts	Normally open	1	rolled up end
3	ATC-0103C02	Speaker cover	ABS	2	
2	TMW-0401H07	Speaker	3' 4Ω/15W	2	
1	ATC-0103C01	Seat		1	
No.	Drawing No.	Name	Specification	Qty	Other

7.3.4 Console Assembly



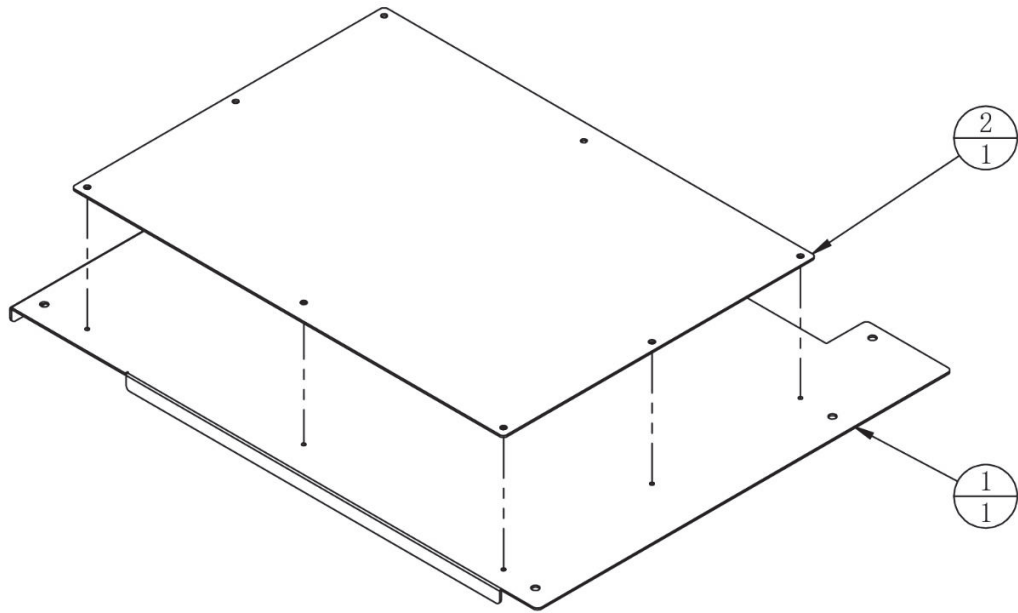
11	ATC-0104A09	DBA wire cover	SPCC-1.5T	1	
10	ATC-0104A04	Side LED cover	SPCC-1.2T	1	
9	ATC-0104D01	Side light guide plate	PMMA-8.0T	1	
8	ATC-0104A03	Back cover 2	SPCC-1.2T	1	
7	ATC-0104A08	Motor PCB plate	SPCC-1.2T	1	
6	ATC-0104F01	Motor Board	GK-PCB-2023-05-02	1	
5	ATC-0104A02	Back cover 1	SPCC-1.2T	2	
4	ATC-0104A07	Coin groove L	SECC-1.0T	1	
3	ATC-0104A06	Coin groove R	SECC-1.0T	1	
2	ATC-0104A05	Coin chute	SPCC-1.0T	1	
1	ATC-0104A01	Console assembly		1	
No.	Drawing No.	Name	Specification	Qty	Other

7.3.5 Steering Assembly



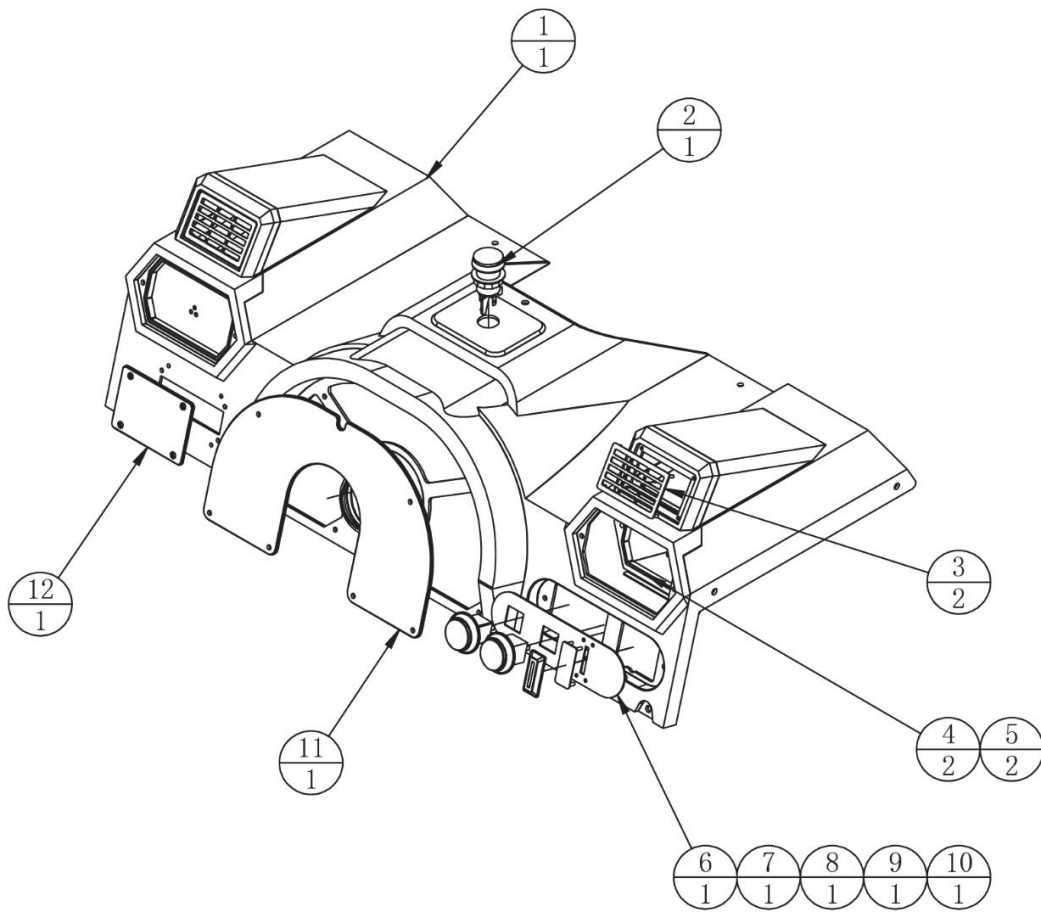
18	ATC-0105A10	LED light panel	SECC-1.2T	1	
17	ATC-0105A02	Belt pulley	AL	1	
16	TMW-0801G12	KEY	8*35 GBT1096-2003	1	
15	ATC-0105A06	Limit block		1	
14	ATC-0105A04	Limit pole	Q235	2	
13	ATC-0105C01	Directional Limit Block	PU	2	
12	ATC-0105A07	Steering Lower Cover	SECC-2.0T	1	
11	TMW-0209H01-01	Potentiometer Magnet		1	
10	TMW-0209H01-02	Potentiometer	SI9945BDY-T1-GE3	1	
9	ATC-0105A11	Potentiometer plate	SECC-1.2T	1	
8	TMW-0203H02	motor	Z5D90-90A1	1	
7	ATC-0105A08	Motor fixing support	SECC-2.0T	1	
6	TMW-0801G13	KEY	4*12 GBT1096-2003	1	
5	ATC-0105A09	Belt pulley	45	1	
4	ATC-0105A05	Steering top cover	SECC-2.0T	1	
3	ATC-0105A01	Direction Axis	45	1	
2	TMW-0501G41	Ball Bearings	UBPF205	2	
1	ATC-0105A03	Junction box		1	
No.	Drawing No.	Name	Specification	Qty	Other

7.3.6 Pedal Assembly



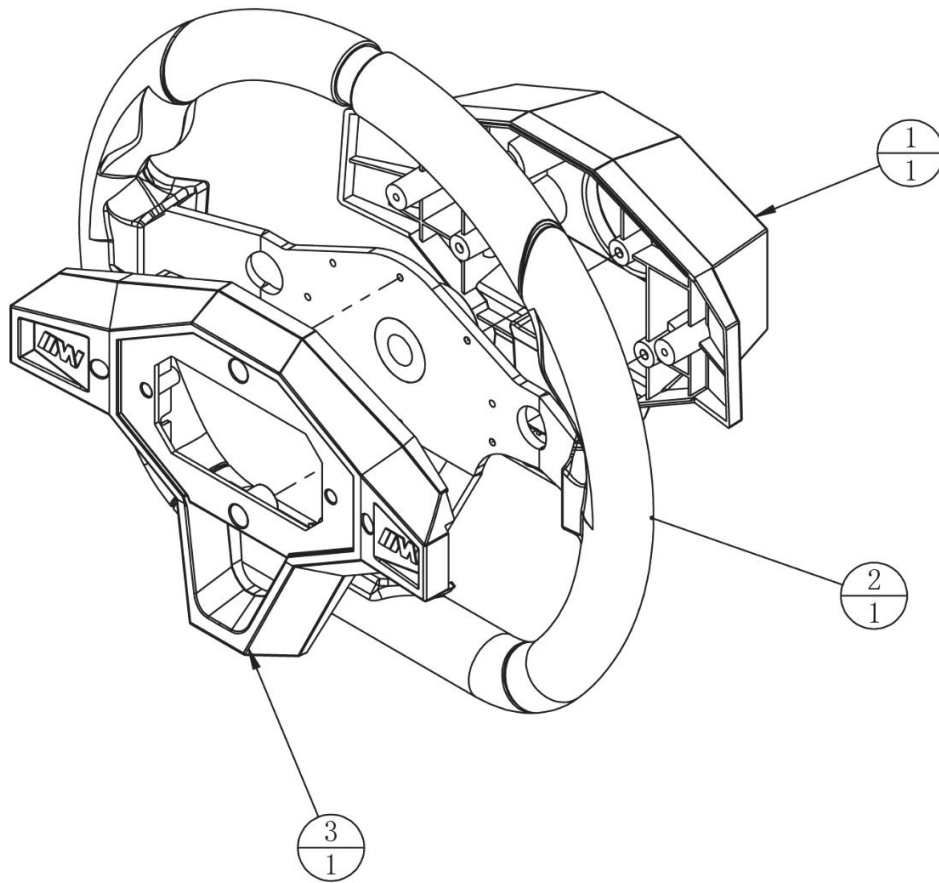
2	ATC-0106A02	Foot Pattern Plate	AL	1	
1	ATC-0106A01	Foot pedal base plate	SPCC-2.0T	1	
No.	Drawing No.	Name	Specification	Qty	Other

7.3.7 Console Panel Assembly



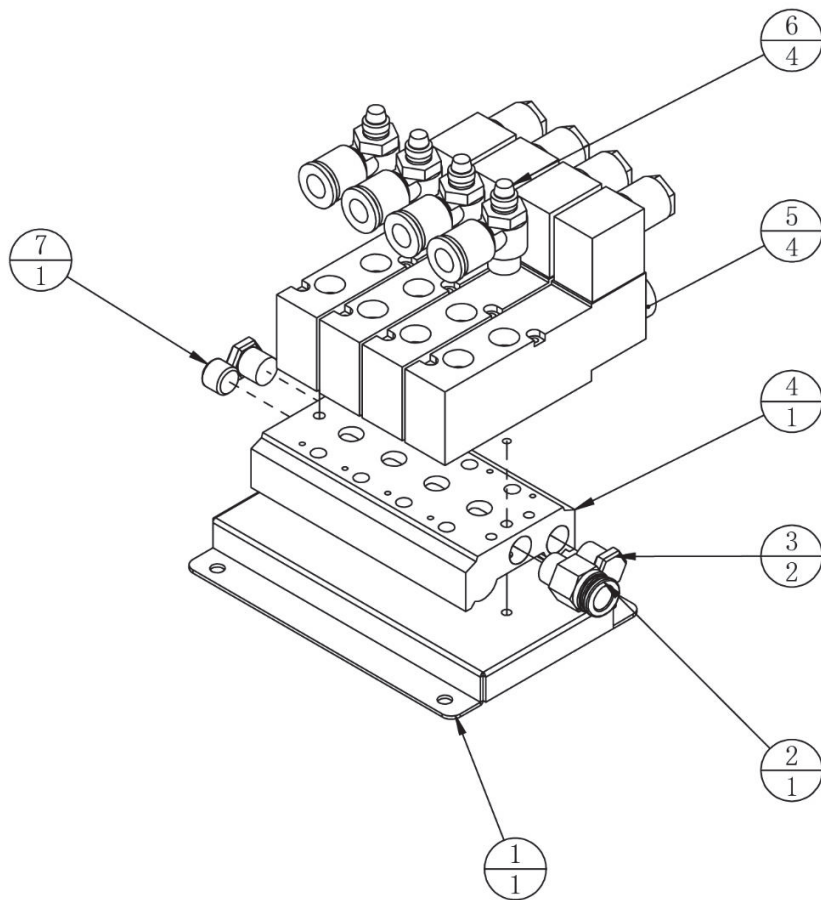
12	ATC-0107D03	Card reader board	PMMA-3.0T	1	
11	ATC-0107D01	Dashboard	PMMA-5.0T	1	
10	TMW-0301H08	VIEW BUTTON	Euro Two-Tone 42# Button-Blu	1	
9	TMW-0301H09	START BUTTON	Euro Two-Tone 42# Button - Re	1	
8	TMW-0204G11	coin slot		1	
7	ATC-0107A03	Coin cover	SPCC-1.0T	1	
6	ATC-0107A04	Button plate	SPCC-1.5T	1	
5	ATC-0107A01	Speaker net		2	
4	ATC-0107D02	Speaker light guide plate	PMMA-8.0T	2	
3	ATC-0107A02	Air outlet	SPCC-1.0T	2	
2	TMW-0301H07	Stop button	LA38-11M	1	
1	ATC-0107C01	Control panel cover	ABS	1	
No.	Drawing No.	Name	Specification	Qty	Other

7.3.8 Steering Wheel Assembly



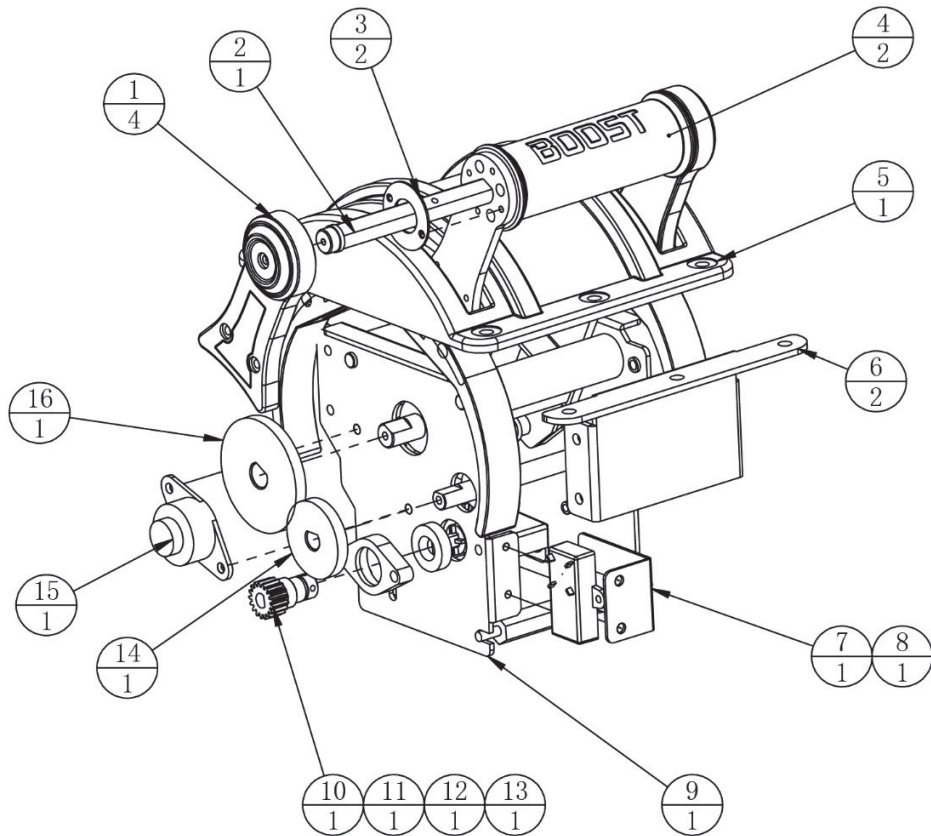
3	ATC-0108C01	Steering wheel top cover	ABS	1	
2	ATC-0108A01	Steering wheel		1	
1	ATC-0108C02	Steering Wheel Lower Cover	ABS	1	
No.	Drawing No.	Name	Specification	Qty	Other

7.3.9 Pneumatic Valve Assembly



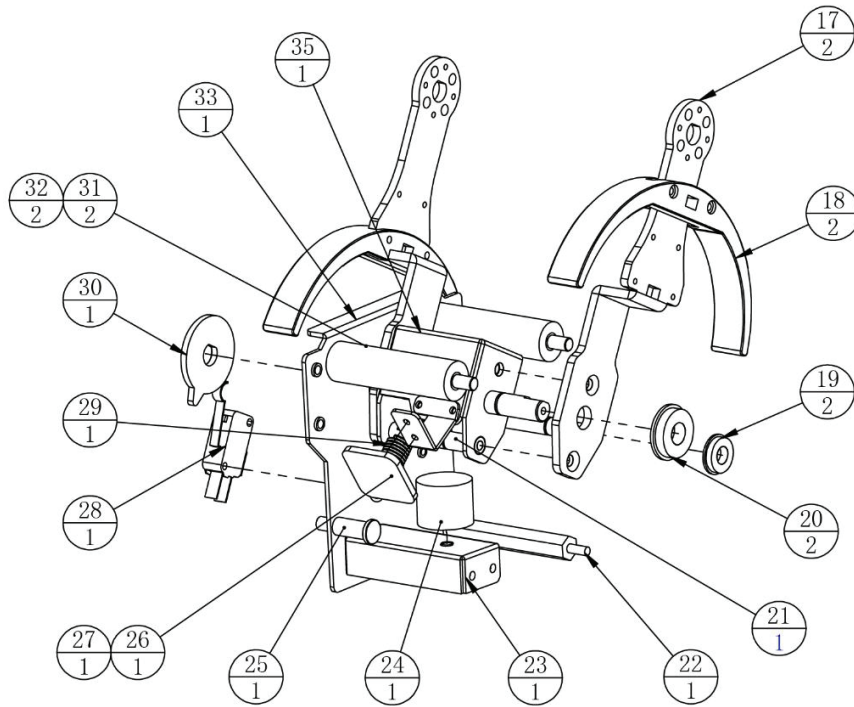
7	TMW-0404G72	Hexagonal Plug	ABP-02	1	
6	TMW-0701H03	Pipe-connected check valve	ASL10-02B	4	
5	TMW-0701H04	Fluid Control Valve	3V210-08-NC-F	4	
4	TMW-0401G03	Pneumatic Control Valve Base	3V200M-4F	1	
3	TMW-0901G12	Copper Silencer	BSLM02	2	
2	TMW-0404G01	Straight threaded Joint	APC10-02	1	
1	ATC-0109A01	Solenoid valve seat	SECC-1.5T	1	
No.	Drawing No.	Name	Specification	Qty	Other

7.3.10 Gearshift Assembly 1/2



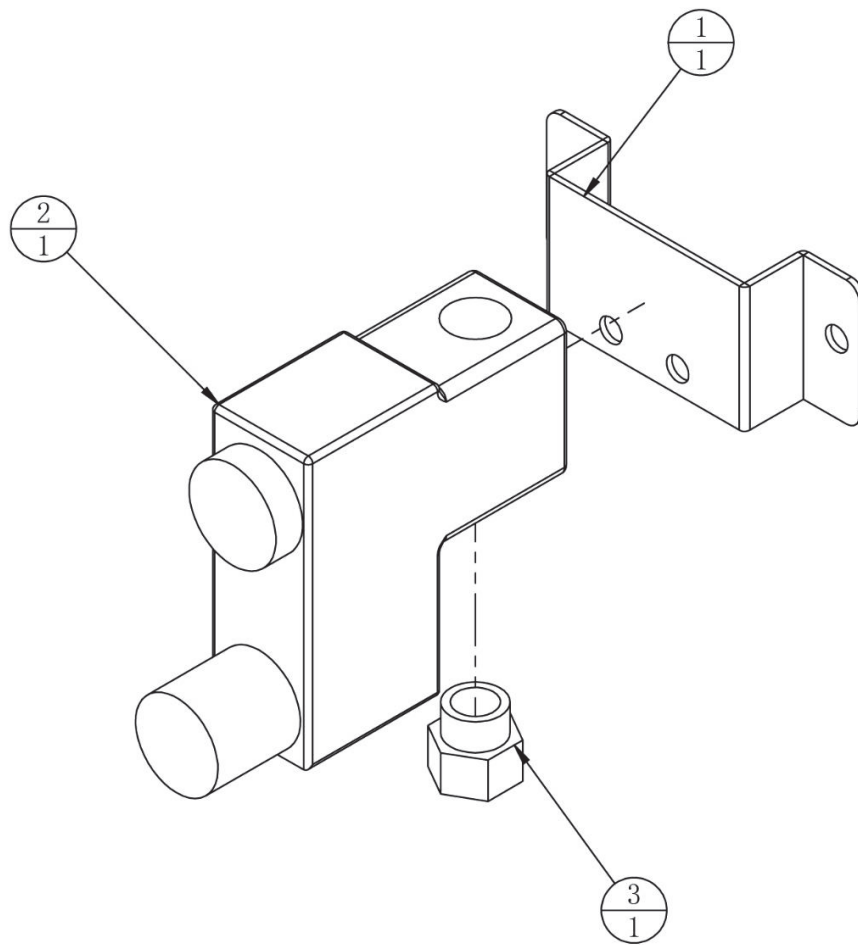
16	ATC-0110A09	Shift gears 1	AL	1	
15	TMW-0601G07	Metal one-way damper gear	LF-38A	1	
14	ATC-0110A11	Shift gears 2	AL	1	
13	TMW-0209H01-02	Potentiometer Magnet		1	
12	TMW-0501G03	Bearing	6800	1	
11	ATC-0110A19	Bearing seat	Q235	1	
10	ATC-0110A08	Potentiometer Gear	Q235	1	
9	ATC-0110A07	Gear right side panel	SPCC-2.0T	1	
8	TMW-0209H01-01	Potentiometer sensor	SI9945BDY-T1-GE3	1	
7	ATC-0110A20	Gear potentiometer plate	SPCC-1.2T	1	
6	ATC-0110A21	Gear fixing plate	SPCC-2.0T	2	
5	ATC-0110C04	Gear base cover	ABS	1	
4	ATC-0110D01	Gearshift guide light bar	PC	1	
3	ATC-0110H01	Circular light panel	RGB-12V-4	2	
2	ATC-0110A03	Gearshift upper pole	Q235	1	
1	ATC-0110C05	Gearshift side cover	ABS	2	
No.	Drawing No.	Name	Specification	Qty	Other

7.3.10 Gearshift Assembly 2/2



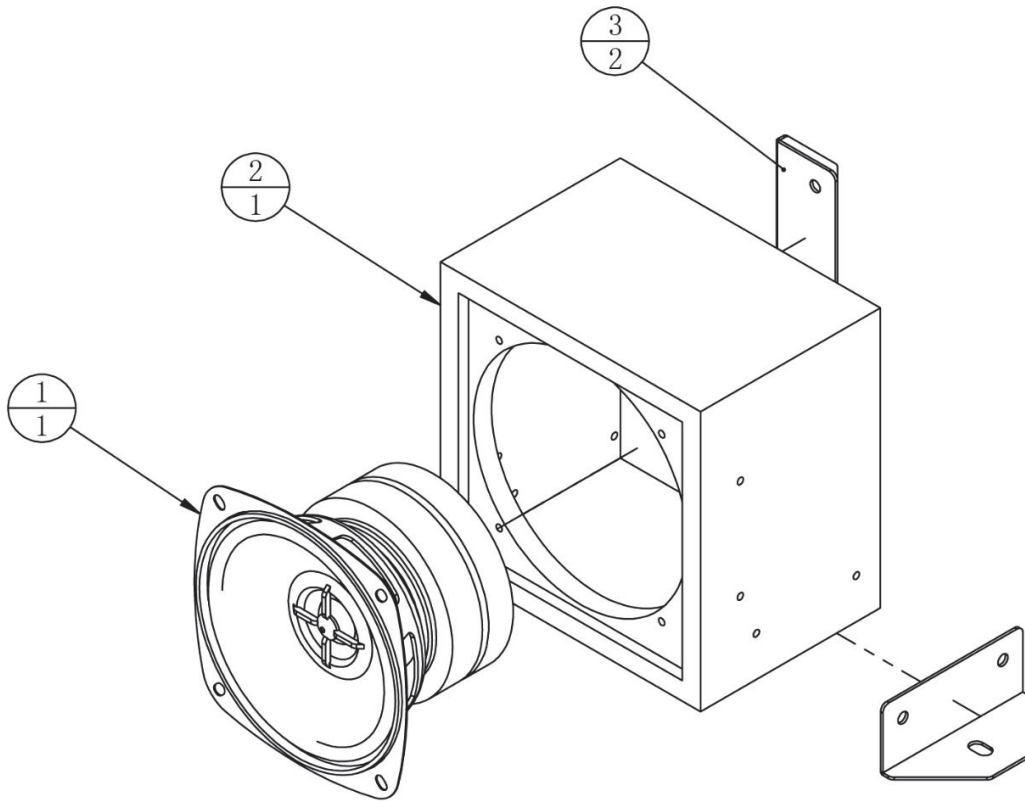
35	ATC-0110A01	Gearshift spindle		1	
34	ATC-0110A10	Gear Transmission rod	Q235	1	
33	ATC-0110A06	Gear left side panel	SPCC-2.0T	1	
32	ATC-0110A12	Spacing Pole	Q235	2	
31	ATC-0110C03	Gear buffer rod	PU	2	
30	ATC-0110C02	Switching chip	POM	1	
29	ATC-0110A16	Tension spring	65Mn	1	
28	TMW-0103H05	microswitch	3P KW3A	1	
27	ATC-0110A13	Magnetic pads	SUS430-1.2T	1	
26	ATC-0110A18	Magnetic board	SECC-3.0T	1	
25	ATC-0110A15	Tension spring retaining rod	Q235	1	
24	TMW-0208H01	Electromagnet	H2520-12V	1	
23	ATC-0110A14	Magnet fixing plate	SPCC-1.5T	1	
22	ATC-0110A17	Magnetic suction plate	45	1	
21	ATC-0110A05	Gear lower pole	Q235	1	
20	TMW-0501G22	Retaining edge bearing	F61900	2	
19	TMW-0501G21	Retaining edge bearing	F618-8	2	
18	ATC-0110C01	Guidance Blocks	POM	2	
17	ATC-0110A02	Gear lever	SPCC-4.0T	2	
No.	Drawing No.	Name	Specification	Qty	Other

7.3.11 Gas-Jet Assembly



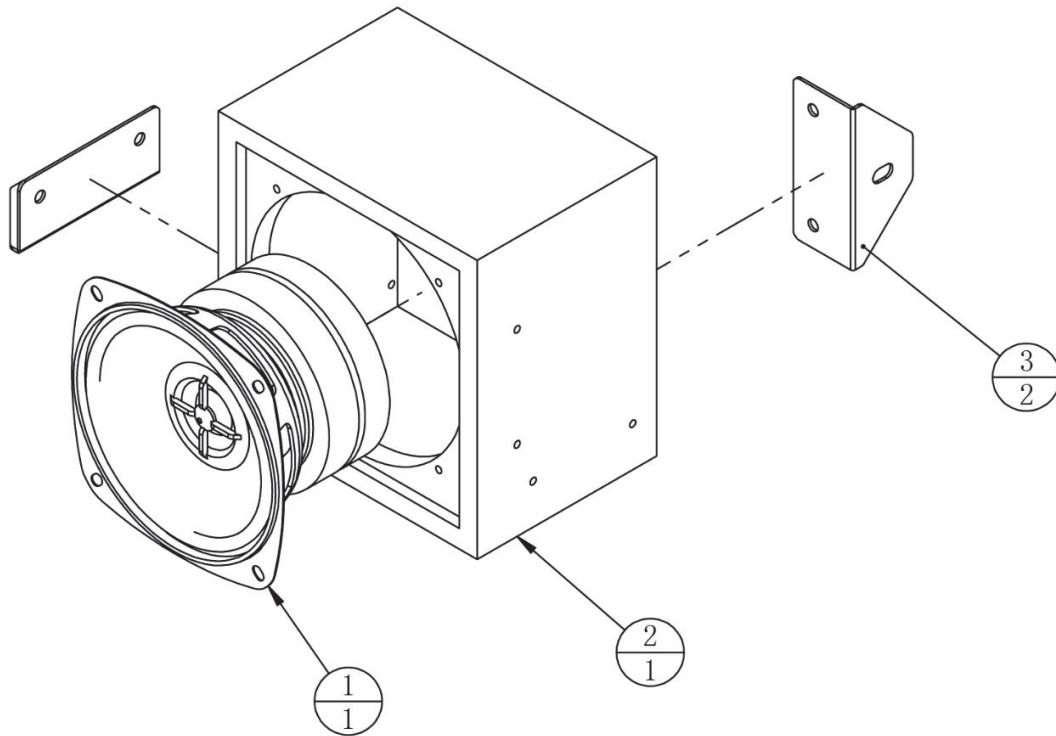
3	TMW-0404G01	Straight threaded Joint	APC10-02	1	
2	TMW-0701H02	Fluid Control Valve	2V025-08	1	
1	ATC-0111A01	Air valve fixing plate	SPCC-1.2T	1	
No.	Drawing No.	Name	Specification	Qty	Other

7.3.12 Left Speaker Assembly



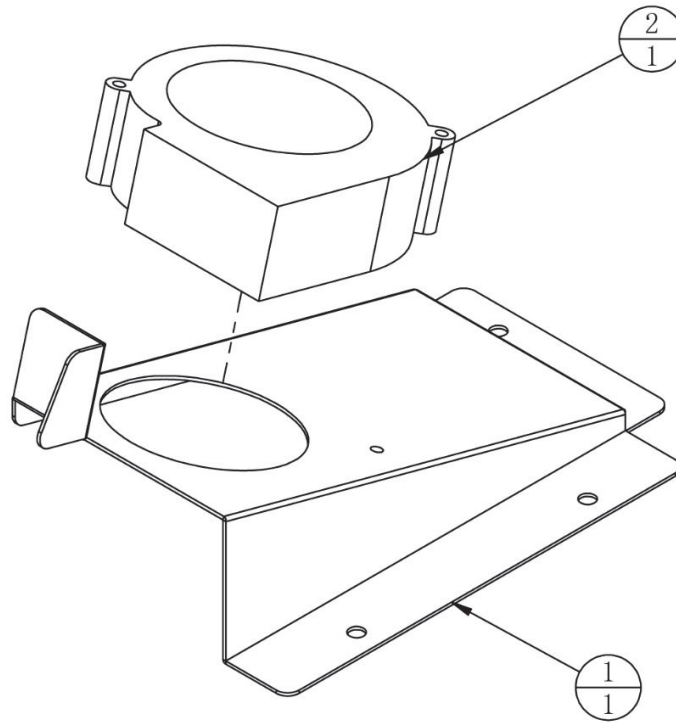
3	ATC-0112A01	Speaker fixing support	SPCC-1.2T	2	
2	ATC-0112B01	Speaker Box	MDF-9.0T	1	
1	TMW-0401H09	Speaker	4' 8Ω 60W	1	
No.	Drawing No.	Name	Specification	Qty	Other

7.3.13 Right Speaker Assembly



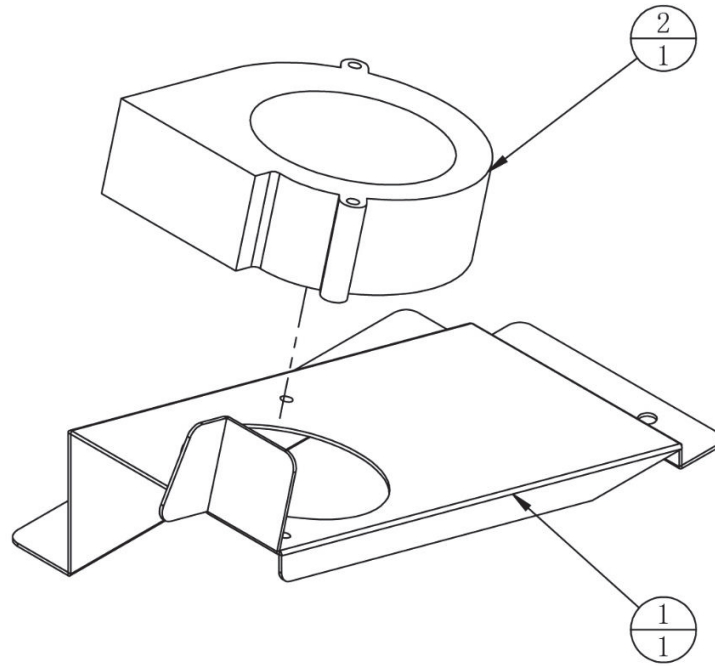
3	ATC-0112A01	Speaker fixing support	SPCC-1.2T	2	
2	ATC-0112B01	Speaker Box	MDF-9.0T	1	
1	TMW-0401H09	Speaker	4'8Ω 60W	1	
No.	Drawing No.	Name	Specification	Qty	Other

7.3.14 Left Blower Assembly



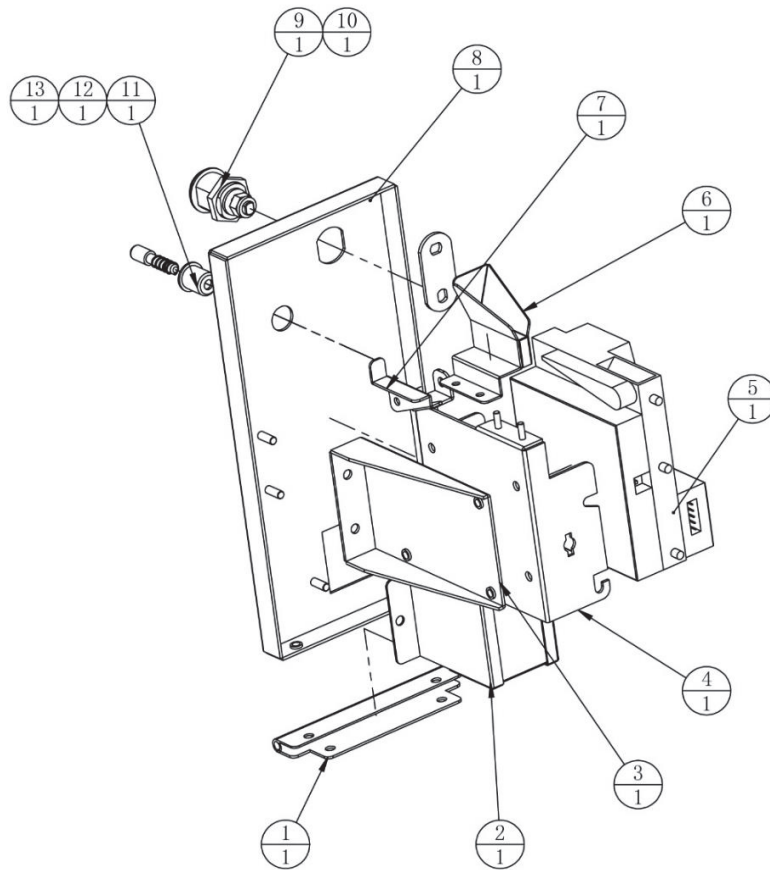
2	TMW-0202H02	Turbofan	BA10033B12GP016	1	
1	ATC-0114A01	Right blower plate	SPCC-1.5T	1	
No.	Drawing No.	Name	Specification	Qty	Other

7.3.15 Right Blower Assembly



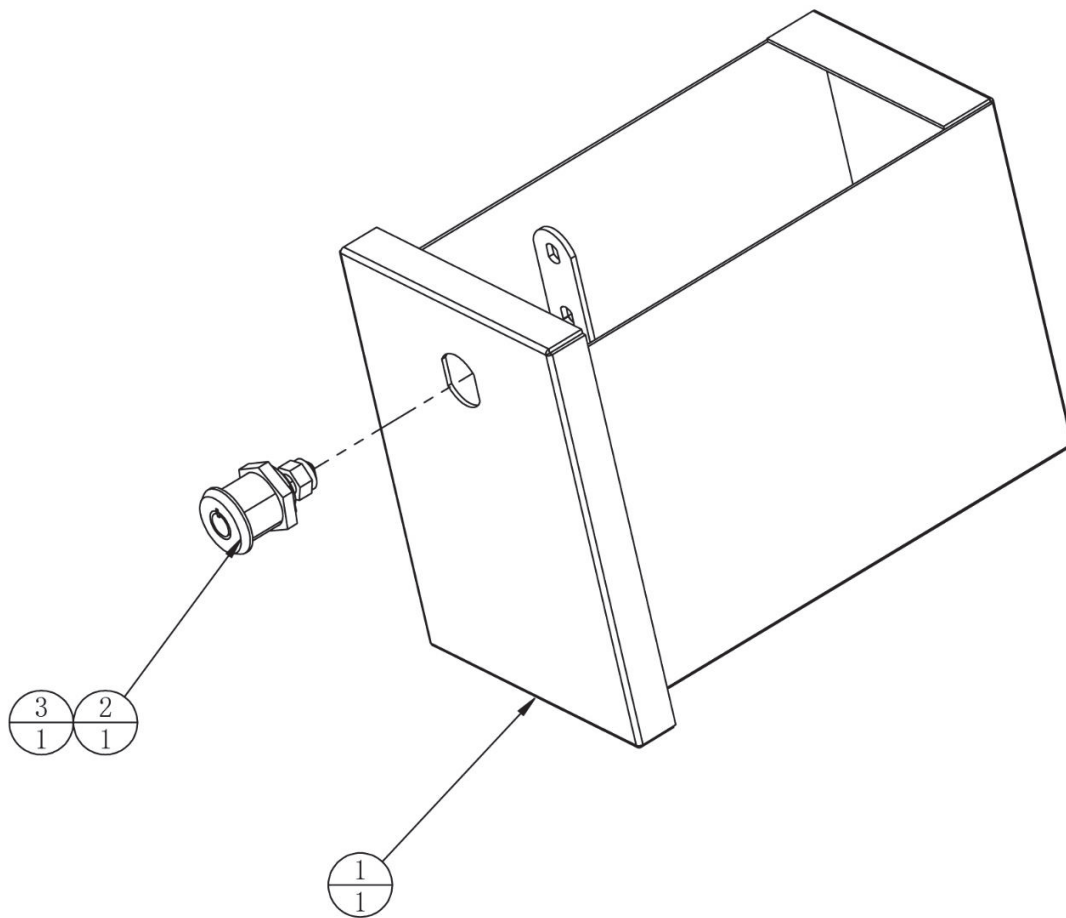
2	TMW-0202H02	Turbopan	BA10033B12GP016	1	
1	ATC-0115A01	Left blower plate	SPCC-1.2T	1	
No.	Drawing No.	Name	Specification	Qty	Other

7.3.16 Coin Door Assembly



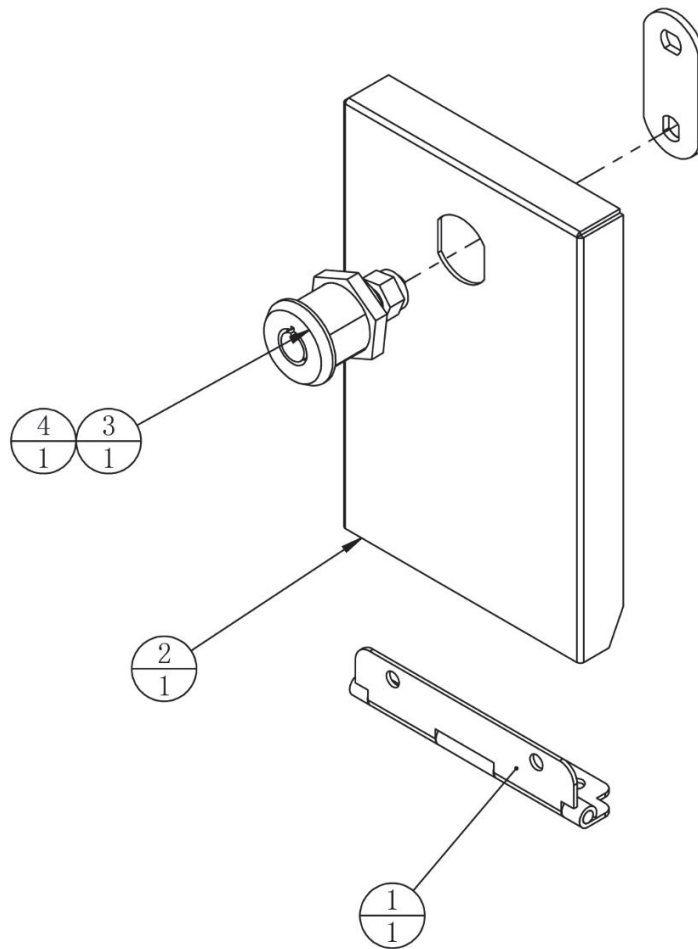
13	ATV-0216A09	Coin refund Lever	Q235	1	
12	ATV-0216A10	Coin refund Lever Spring	60Mn	1	
11	ATV-0216A08	Coin refund Lever cover	Q235	1	
10	TMW-0203G04	Lock tab	4cm(003)	1	
9	TMW-0201G06	Lock	5555-S	1	
8	ATC-0116A01	Coin door	SPCC-1.5T	1	
7	ATV-0216A06	Coin refund Platen	SPCC-1.2T	1	
6	ATC-0116A03	Coin rim	SECC	1	
5	TMW-0204H01	Coin Acceptor	LK825	1	
4	ATV-0216A01	Coin refund racks	SECC-1.5T	1	
3	ATV-0216A02	Coin refund Fixing Plate	SECC-1.5T	1	
2	ATV-0216A05	Coin refundhopper		1	
1	ATC-0116A02	Coin door Hinge	SPCC-1.2T	1	
No.	Drawing No.	Name	Specification	Qty	Other

7.3.17 Cash Box Assembly



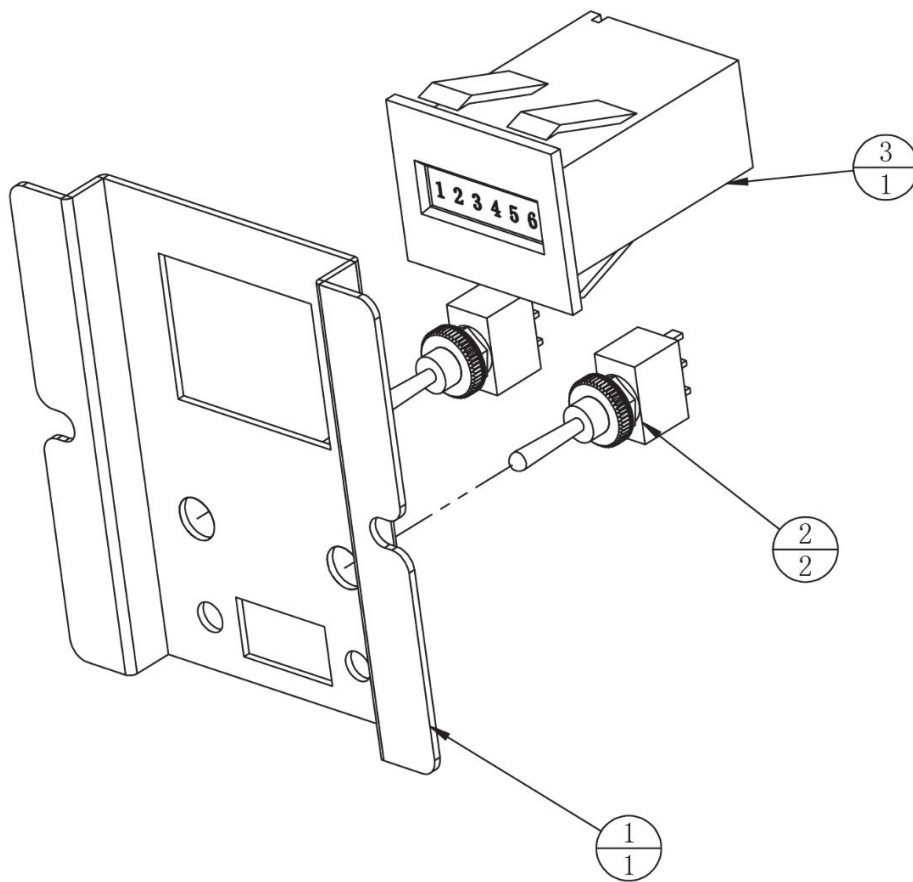
3	TMW-0203G03	Lock tab	5cm(004)	1	
2	TMW-0202G01	Lock	M7-S	1	
1	ATC-0117A01	Cash Door		1	
No.	Drawing No.	Name	Specification	Qty	Other

7.3.18 Console Side Door Assembly



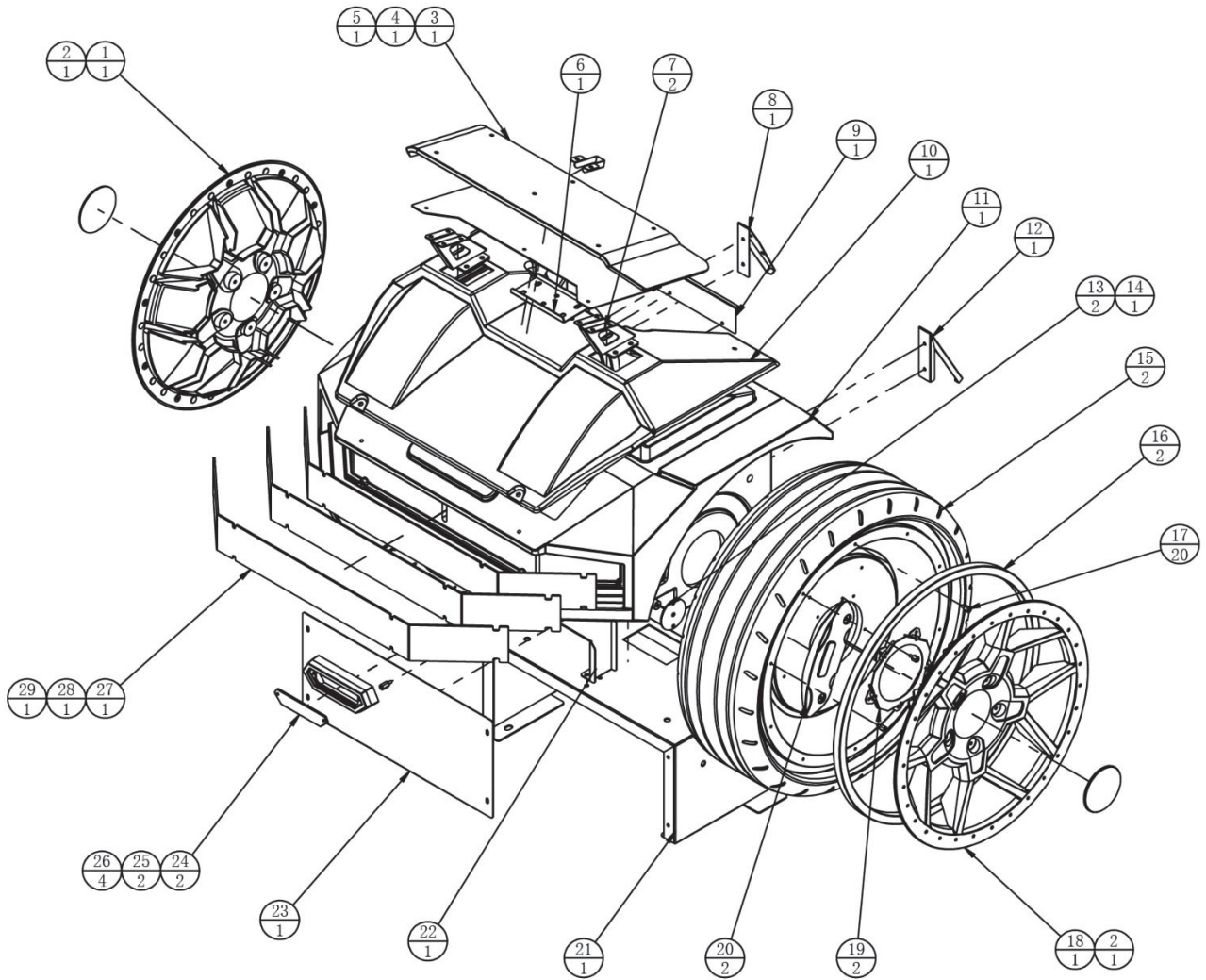
4	TMW-0203G04	Lock tab	4cm(003)	1	
3	TMW-0201G07	Lock	5555-S	1	
2	ATC-0118A02	Service door	SPCC-1.2T	1	
1	ATC-0118A01	Service door hinges	SPCC-1.2T	1	
No.	Drawing No.	Name	Specification	Qty	Other

7.3.19 Service Panel Assembly



3	TMW-0210H03	Counter	OA-126CL	1	
2	TMW-0103H06	Button Switch	KNX123D-F0-Z2	2	
1	ATC-0119A01	Service plate	SECC-1.2T	1	
No.	Drawing No.	Name	Specification	Qty	Other

7.3.20 Rear End Assembly

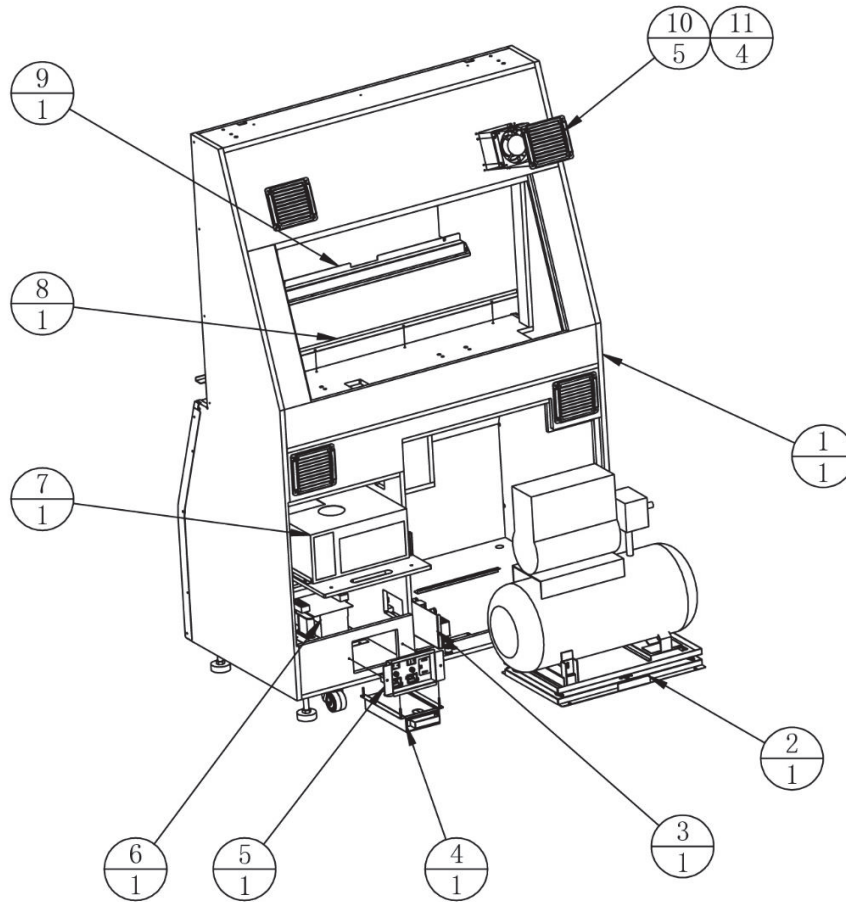


7.3.20 Rear End Assembly

29	ATC-0120D01	Tail light cover 1	PMMA	1	
28	ATC-0120D04	Tail light cover 2	PMMA	1	
27	ATC-0120D05	Tail light cover 3	PMMA-3.0T	1	
26	ATC-0120A02	Exhaust Manifold Bracket	AL	4	
25	ATC-0120C04	Exhaust Manifold Cover	ABS	2	
24	ATC-0120D02	Exhaust Manifold Cover	PMMA-3.0T	2	
23	ATC-0120A13	Rear back plate	SPCC-1.2T	1	
22	ATC-0120A10	Rear axle support bar	SPCC-1.5T	1	
21	ATC-0120A01	Tail Support Bracket	SPCC-2.0T	1	
20	ATC-0120C05	Brake cover	ABS	2	
19	ATC-0120A12	Wheel carrier	SPCC-1.2T	2	
18	ATC-0120C06	Left wheel hub	ABS	1	
17	ATC-0120A07	Wheel Spacer	AL	20	
16	ATC-0120H01	Wheel LED	SK6812 L=1380mm PU	2	
15	ATC-0120C01	Wheel	LDPE	2	
14	ATC-0120A08	Tail light pole	tube	1	
13	ATC-0120A09	Light pole fixing plate	SPCC-1.5T	2	
12	ATC-0120A15	Right baffle	SPCC-1.2T	1	
11	ATC-0120C02	Car Rear Molding	LDPE	1	
10	ATC-0120C03	Tailgate Cover	ABS	1	
9	ATC-0120A06	Tailgate	SPCC-1.2T	1	
8	ATC-0120A14	Left baffle	SPCC-1.2T	1	
7	ATC-0120A03	Rear Wing Pad		2	
6	ATC-0120A11	Rear upper plate	SPCC-1.5T	1	
5	ATC-0120A04	Rear Wing Pad	SPCC-2.0T	1	
4	ATC-0120A05	Tail light cover	SPCC-1.0T	1	
3	ATC-0120D03	Empennage	PMMA-8.0T	1	
2	ATC-0120D06	Wheel decoration	PMMA-3.0T	2	
1	ATC-0120C07	Right wheel hub	ABS	1	
No.	Drawing No.	Name	Specification	Qty	Other

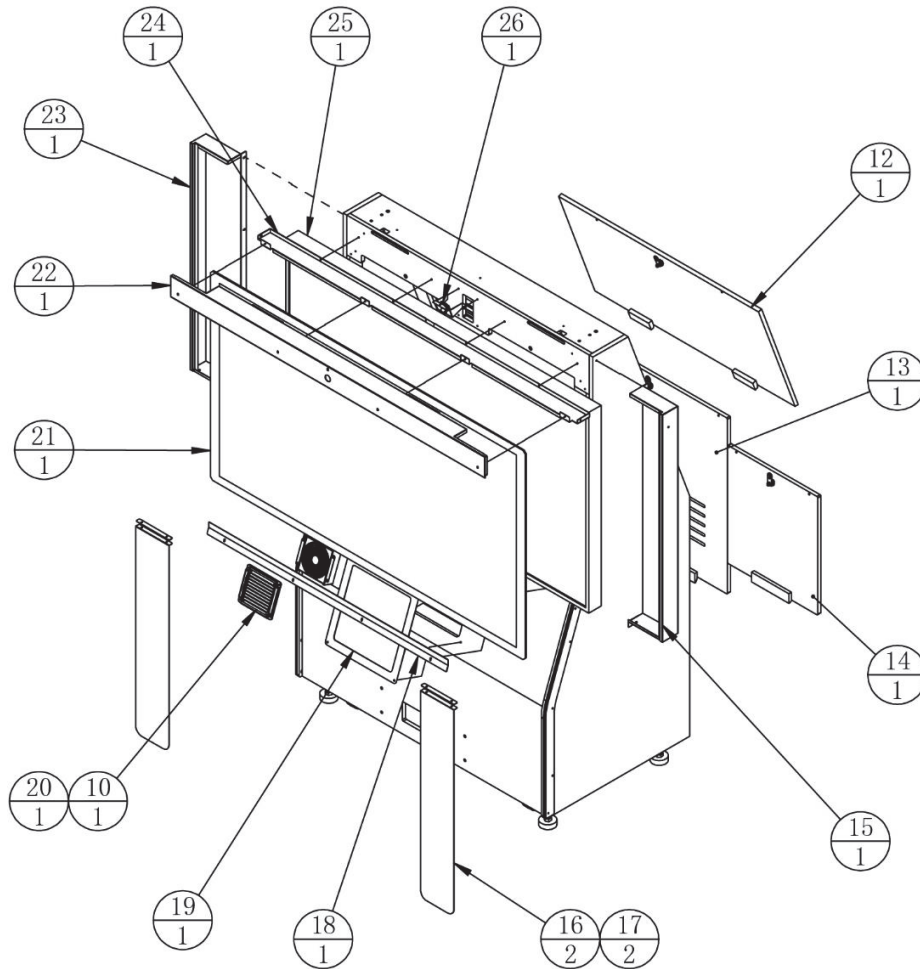
7.4 65" Frame Assembly

65' Frame Assembly (1/2)



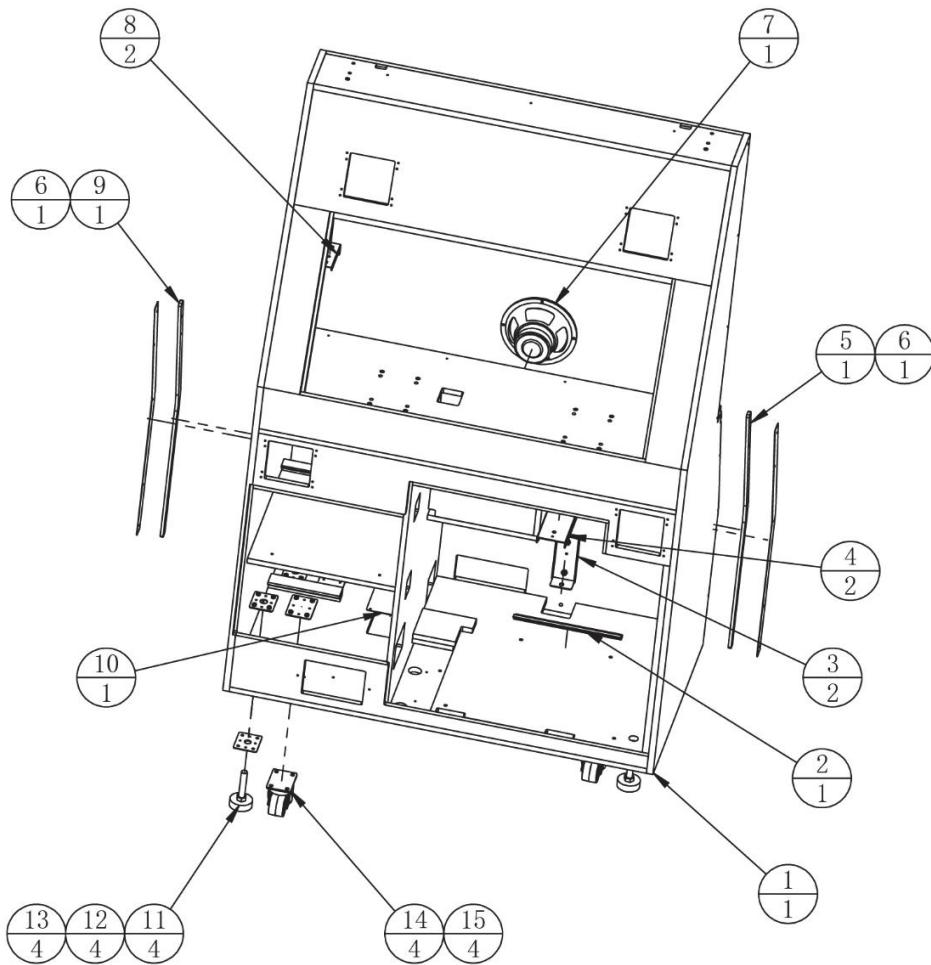
11	ATC-0209000	Fan assembly		4	
10	TMW-0302G01	Plastic Ventilation Net	253-5460	5	
9	ATC-0200A10	LCD Support Board	SPCC-1.5T	1	
8	ATC-0200A06	Glass lower plate	SPCC-1.2T	1	
7	ATC-0204000	Main unit assembly		1	
6	ATC-0206000	Transformer assembly		1	
5	ATC-0205000	Power switch assembly		1	
4	ATC-0215000	Sink assembly		1	
3	ATC-0214000	Filter assembly		1	
2	ATC-0202000	Air compressor assembly		1	
1	ATC-0201000	Wooden frame assembly		1	
No.	Drawing No.	Name	Specification	Qty	Other

65' Frame Assembly (2/2)



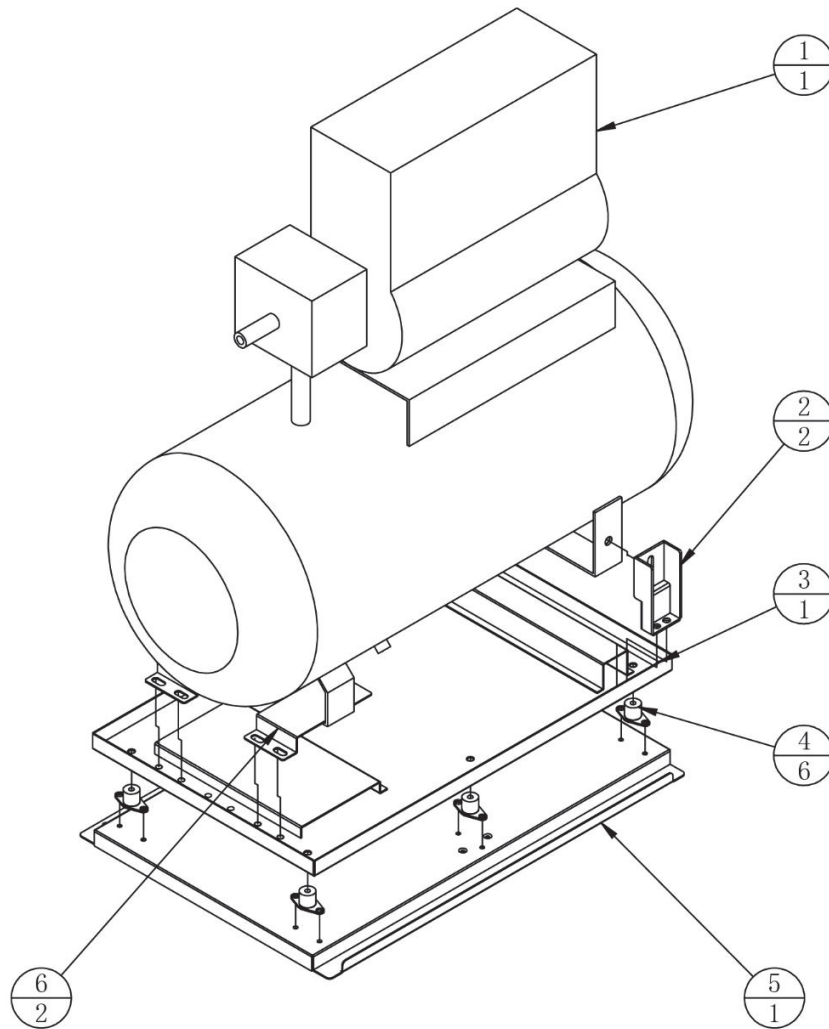
26	ATC-0213000	Camera Assembly		1	
25	ATC-0216000	65" LCD Assembly		1	
24	ATC-0200A07	Glass upper plate	SPCC-1.2T	1	
23	ATC-0200A04	LCD left frame	SPCC-1.2T	1	
22	ATC-0200A02	LCD upper frame	SPCC-1.5T	1	
21	ATC-0200C01	Monitor Glass	Glass-5.0T	1	
20	ATC-0210000	Intake fan assembly		1	
19	ATC-0200A01	Woofer net	Net	1	
18	ATC-0200A08	Glass Platen Lower	SPCC-1.2T	1	
17	ATC-0200A09	Side flag boards	SPCC-1.2T	2	
16	ATC-0200D02	lower side flag	cloth	2	
15	ATC-0200A03	LCD right frame	SPCC-1.2T	1	
14	ATC-0208000	PC door assembly		1	
13	ATC-0207000	Air compressor door assembly		1	
12	ATC-0211000	LCD door assembly		1	
No.	Drawing No.	Name	Specification	Qty	Other

7.4.1 Wooden Frame Assembly



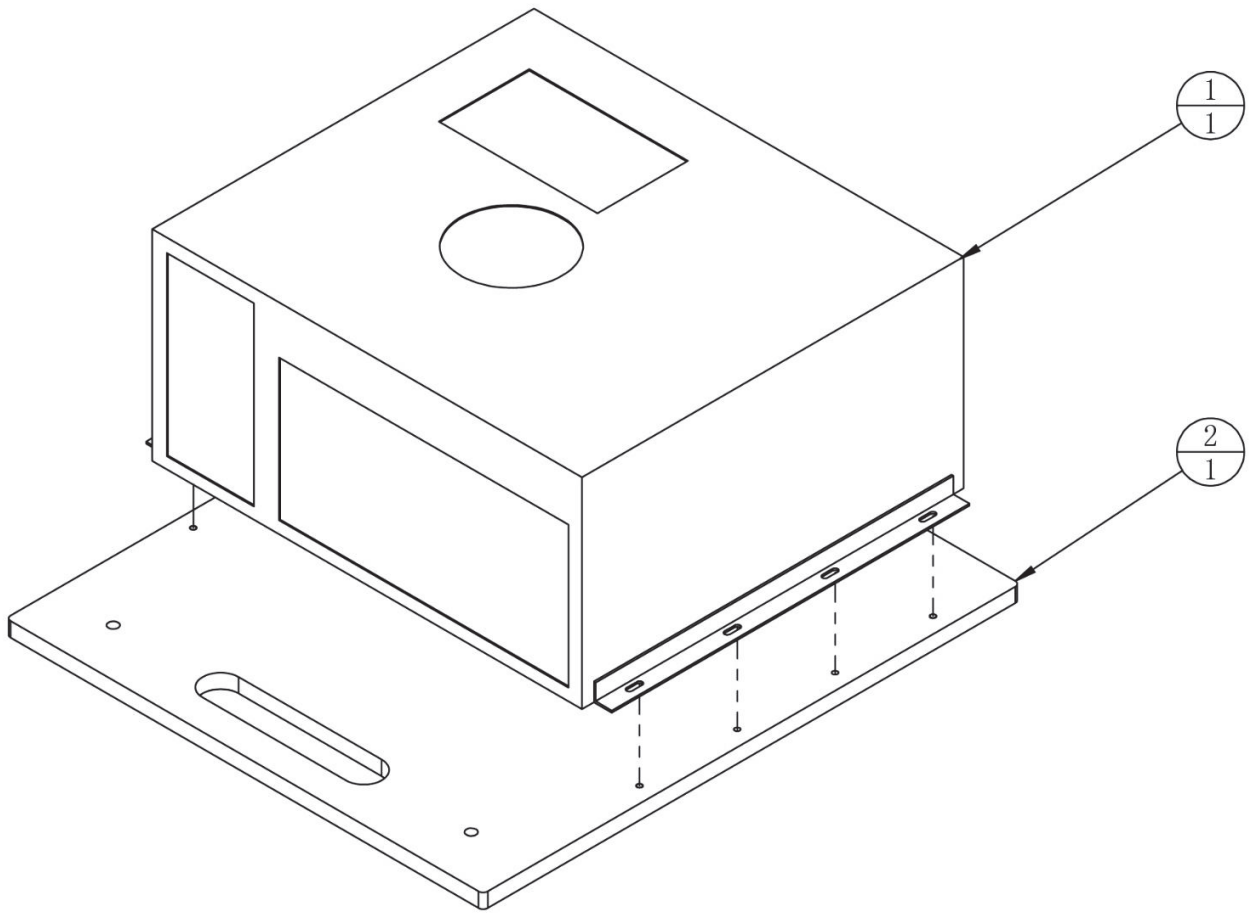
15	ATV-0201A06	Caster fixing iron	SPCC-2.0T	4	
14	TMW-0101G01	Movable casters	2.5'	4	
13	ATV-0201A05	Foundation Bolt Plate	SPCC-2.0T	4	
12	ATV-0201A07	Foundation Bolt Fixing Plate	SPCC-2.0T	4	
11	TMW-0102G01	Ground Screw (Rubber Bottom)	M16*100	4	
10	ATC-0201A01	Plastic Ventilation Net	Net	1	
9	ATC-0201D01	LCD Right Side Panel	PMMA-8.0T	1	
8	ATC-0201A08	Light box plate	SECC-1.5T	2	
7	TMW-0401H08	Woofer	8' 4Ω/200W	1	
6	ATC-0201A07	LCD side cover	SPCC-1.2T	2	
5	ATC-0201D02	LCD Left Side Panel	PMMA-8.0T	1	
4	ATC-0201A03	LCD Reinforcement plate	SECC-2.0T	2	
3	ATC-0201A06	Frame connecting plate	SPCC-2.0T	2	
2	ATC-0201A02	Air compressor limit plate	SECC-1.5T	1	
1	ATC-0201B01	LCD frame		1	
No.	Drawing No.	Name	Specification	Qty	Other

7.4.2 Air Compressor Assembly



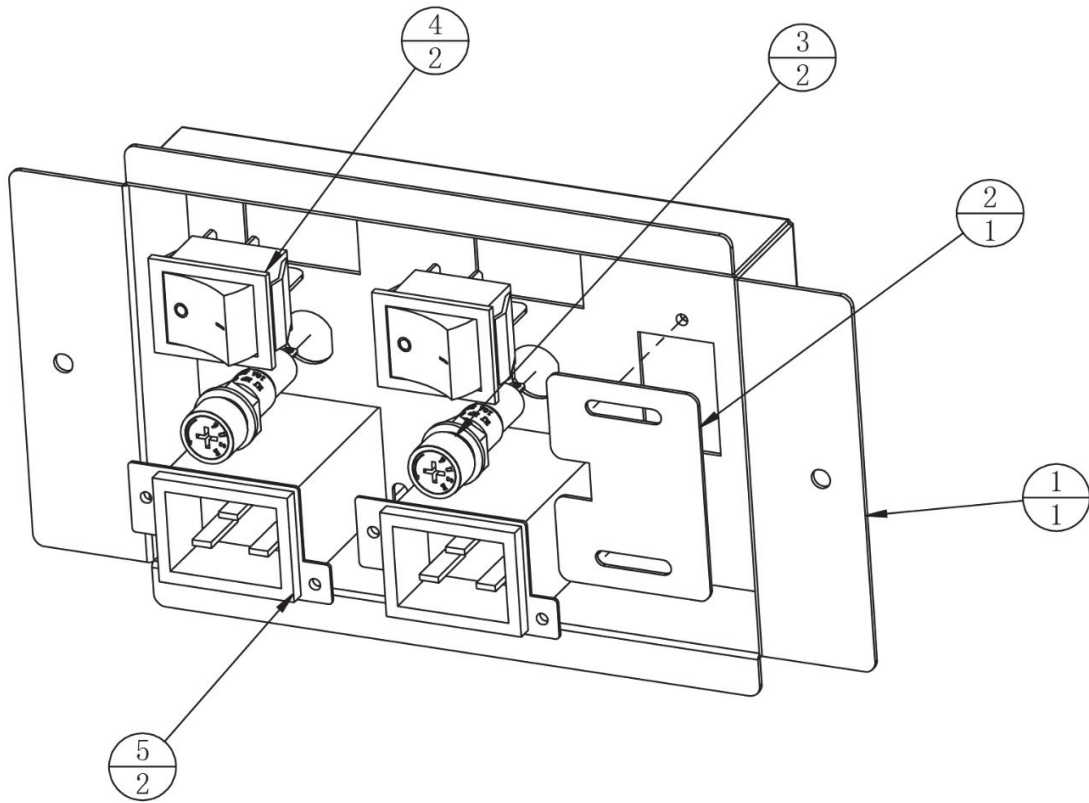
6	ATC-0202A03	Air Compressor Pressure Iron	SPCC-1.5T	2	
5	ATC-0202A01	Air Compressor Shockproof Base		1	
4	TMW-0102G02	Marquee Type Anti-Vibration Feet		6	
3	ATC-0202A02	Air Compressor Support Base		1	
2	ATC-0202A04	Air Compressor Fixed Iron	SPCC-2.5T	2	
1	TMW-0206H01	Compressor	S10	1	
No.	Drawing No.	Name	Specification	Qty	Other

7.4.3 Main Unit Assembly



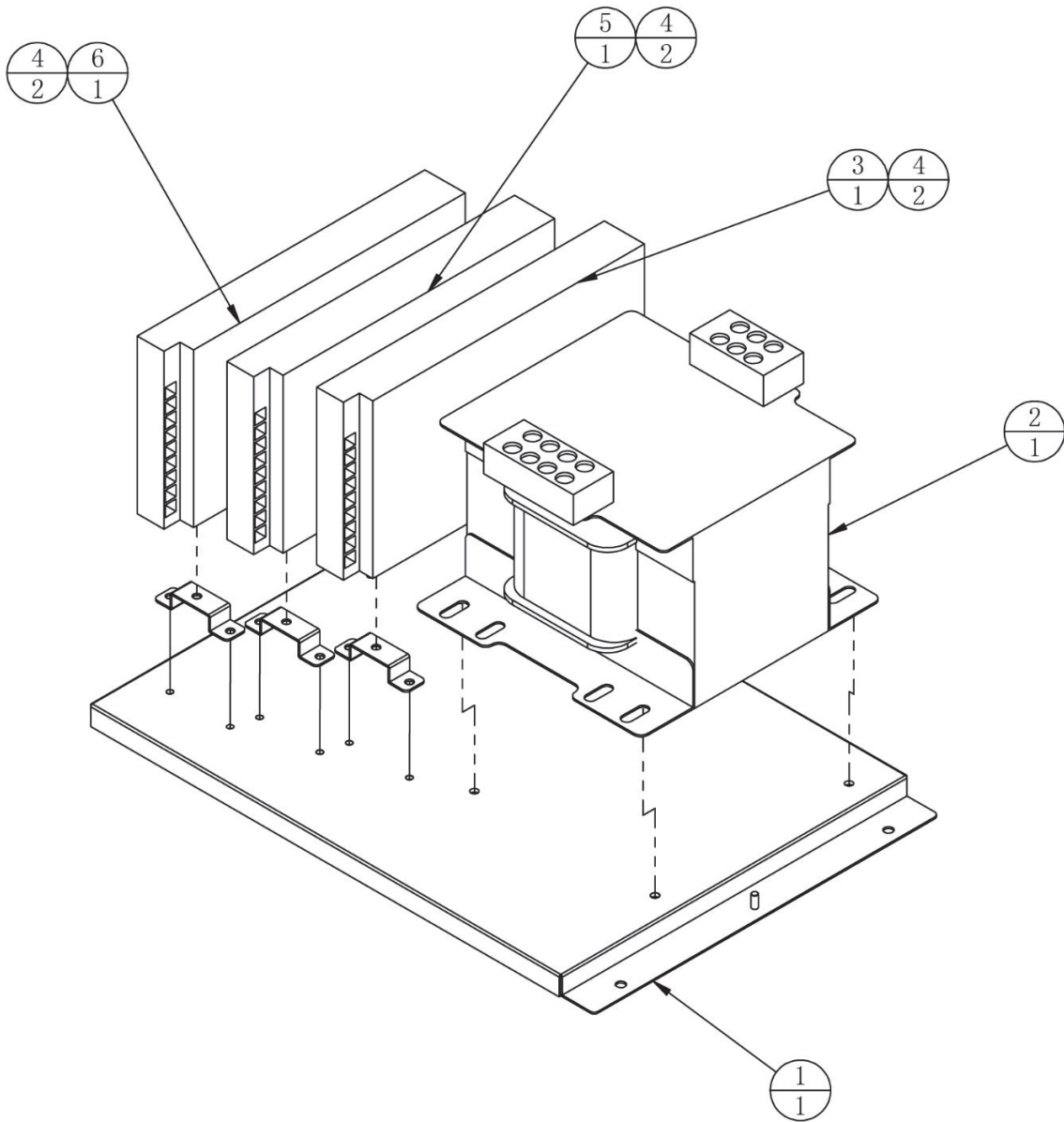
2	ATC-0204B01	PC Fixing Plate	MDF-15.0T	1	
1	ATC-0204H01	PC		1	
No.	Drawing No.	Name	Specification	Qty	Other

7.4.4 Power Switch Assembly



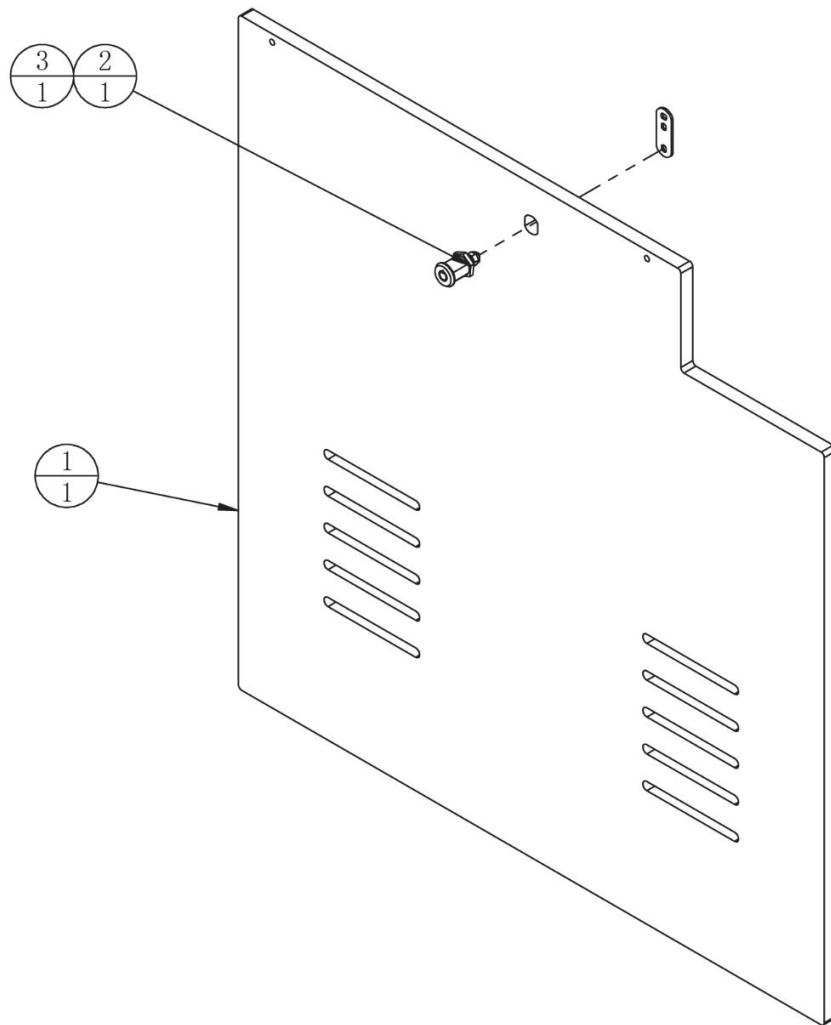
5	TMW-0105H02	Filter	YMA20A1	2	
4	TMW-0103H01	Boat-shape Switch	4P KCD7-2211N	2	
3	TMW-0104H01	Fuse Cartridge	MF527A (6*30)	2	
2	ATC-0205A02	Cable Cover	SPCC-1.0T	1	
1	ATC-0205A01	AC Power Box	SPCC-1.2T	1	
No.	Drawing No.	Name	Specification	Qty	Other

7.4.5 Transformer Assembly



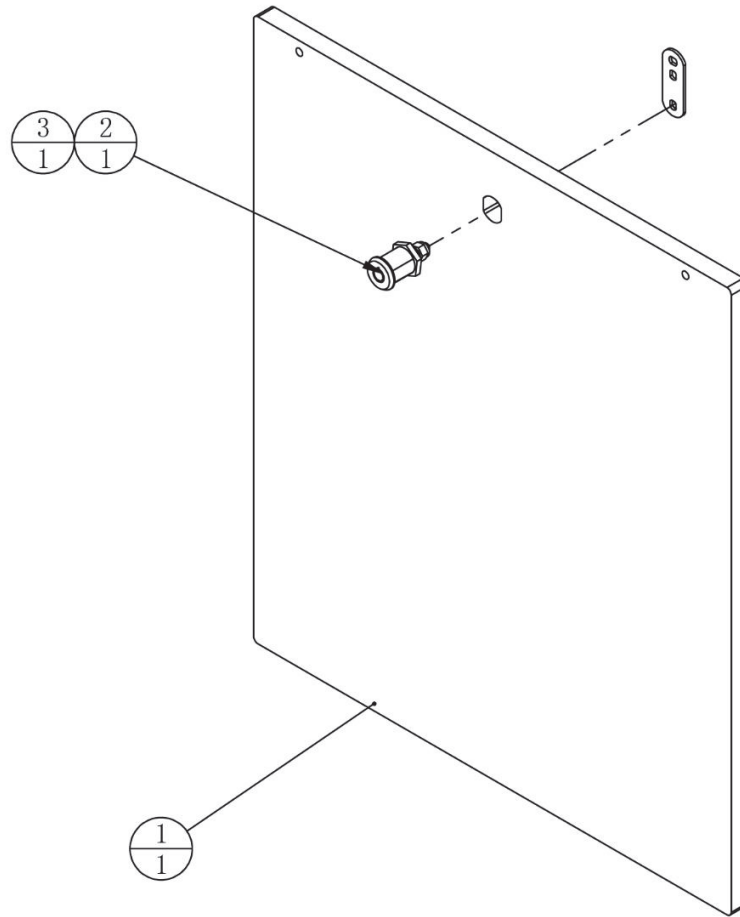
6	TMW-0102H04	Power box 5V	LRS-350-5	1	
5	TMW-0102H02	Power box 24V	LRS-350-24	1	
4	ATC-0206A02	Power Box Fixing Plate	SECC-1.2T	6	
3	TMW-0102H01	Power box 12V	LRS-350-12	1	
2	TMW-0101H04	Transformer	HL162-16-110/35	1	
1	ATC-0206A01	Transformer fixing plate	SECC-1.2T	1	
No.	Drawing No.	Name	Specification	Qty	Other

7.4.6 Air Compressor Door Assembly



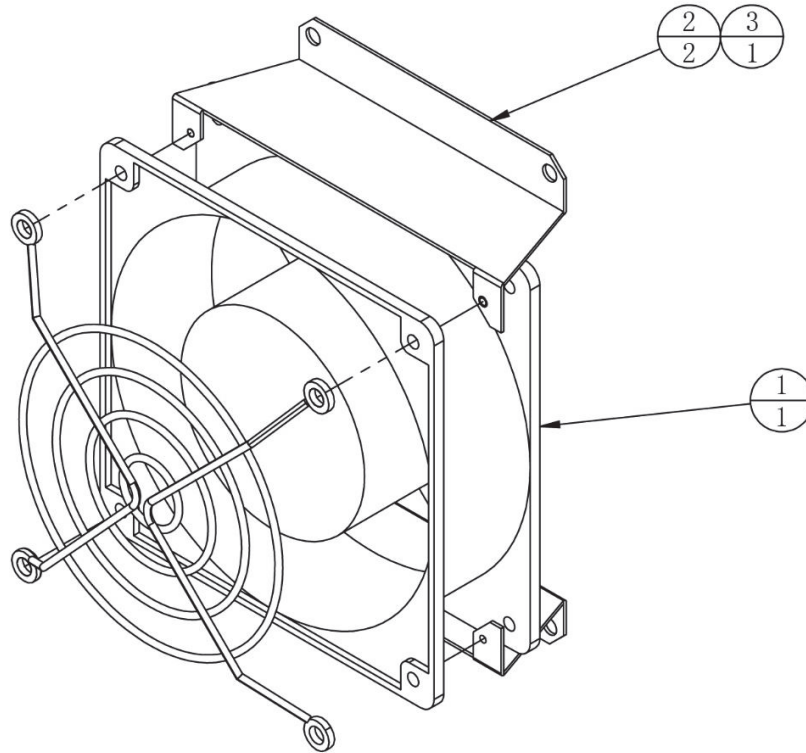
3	TMW-0203G03	Lock tab	5cm(004)	1	
2	TMW-0201G01	Lock	5555-K	1	
1	ATC-0207B01	Air compressor door	MDF-15.0T	1	
No.	Drawing No.	Name	Specification	Qty	Other

7.4.7 PC Door Assembly



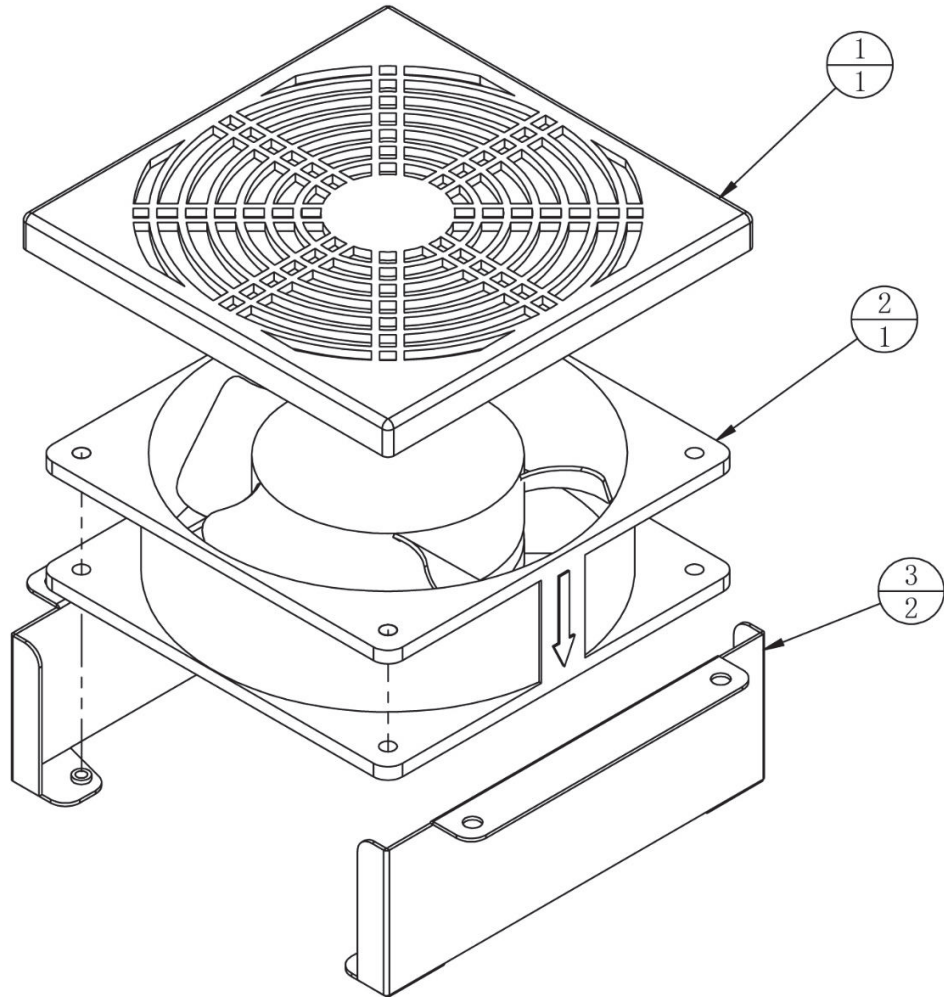
3	TMW-0203G03	Lock tab	5cm(004)	1	
2	TMW-0201G01	Lock	5555-K	1	
1	ATC-0208B01	PC Door	MDF-15.0T	1	
No.	Drawing No.	Name	Specification	Qty	Other

7.4.8 Fan Assembly



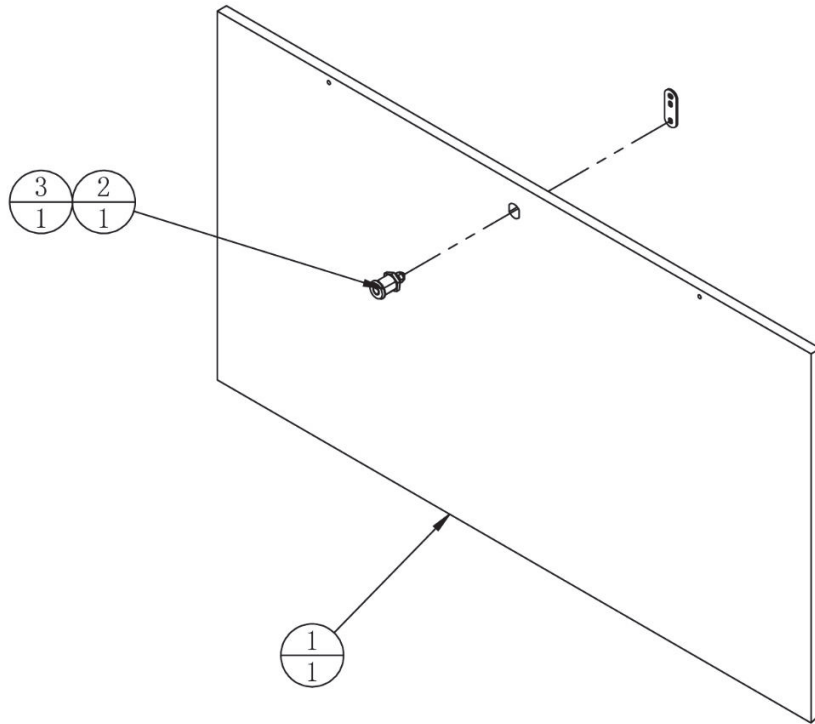
3	TMW-0202H01-01	FAN NET	120*120	1	
2	ATC-0209A01	Fan frame	SECC T-1.0	2	
1	TMW-0202H01	FAN	GD 12038H24B-A01	1	
No.	Drawing No.	Name	Specification	Qty	Other

7.4.9 Intake Fan Assembly



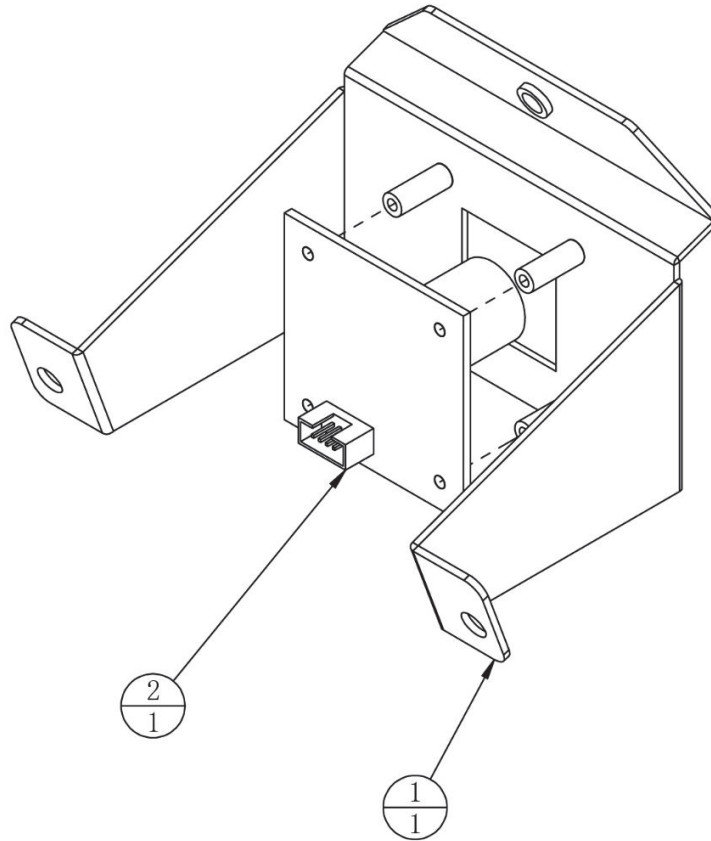
3	ATC-0210A01	Fan fixing plate	SPCC-1.2T	2	
2	TMW-0202H01	FAN	SD1238M2B DC24V 0.35A	1	
1	TMW-0302G02	Dust proof		1	
No.	Drawing No.	Name	Specification	Qty	Other

7.4.10 LCD Door Assembly



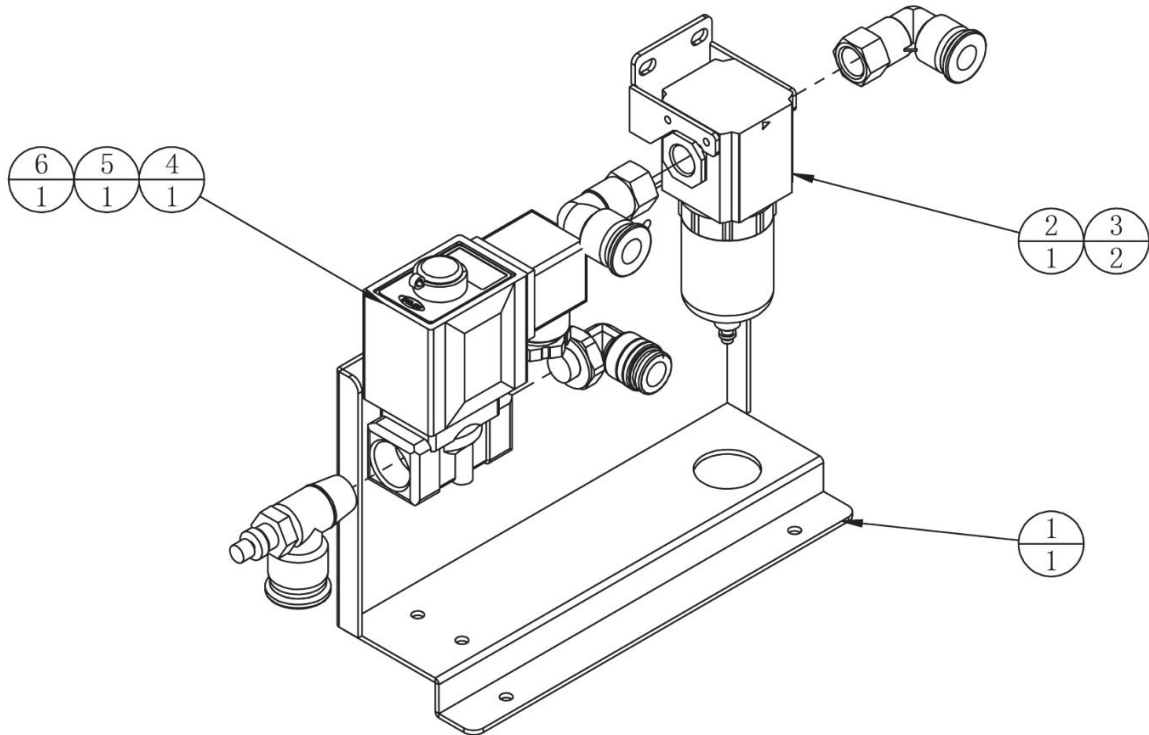
3	TMW-0203G03	Lock tab	5cm(004)	1	
2	TMW-0201G01	Lock	5555-K	1	
1	ATC-0211B01	LCD Door	MDF-15.0T	1	
No.	Drawing No.	Name	Specification	Qty	Other

7.4.11 Camera Assembly



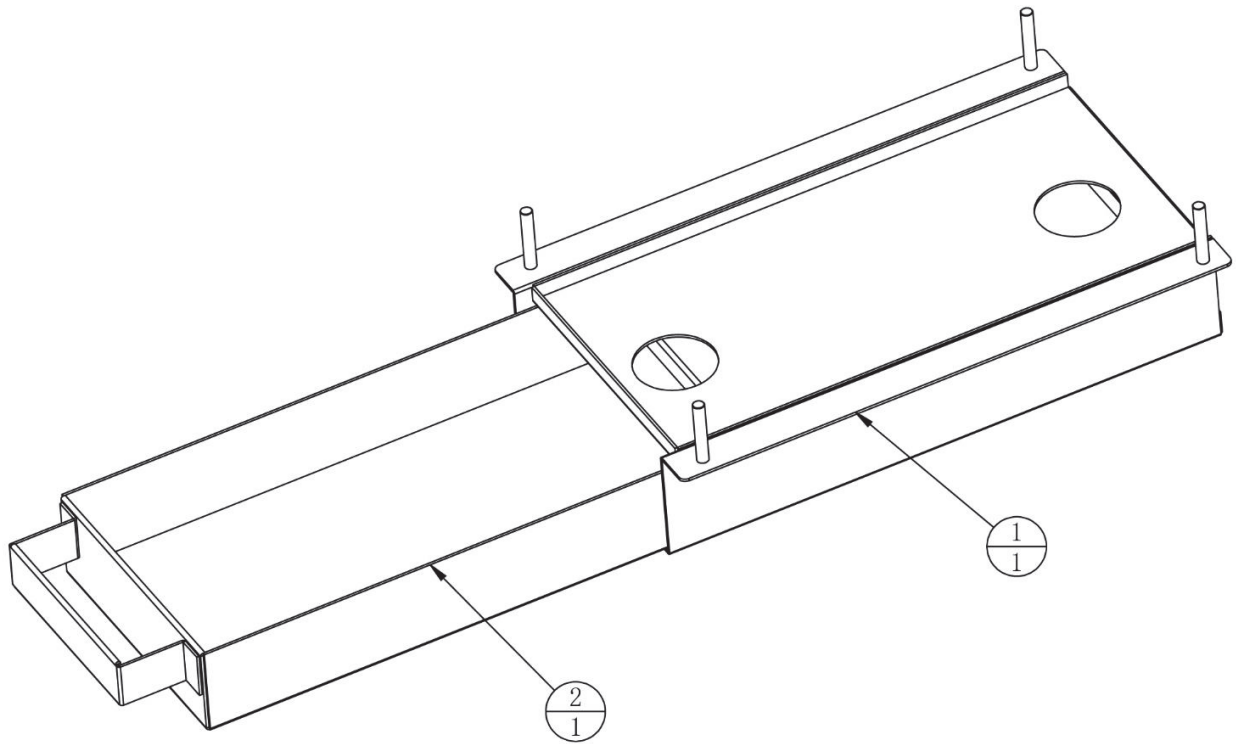
2	TMW-0210H01	Camera	ELP-USBFHD01M-L36	1	
1	ATC-0213A01	Camera fixing plate	SPCC-1.2T	1	
No.	Drawing No.	Name	Specification	Qty	Other

7.4.12 Filter Assembly



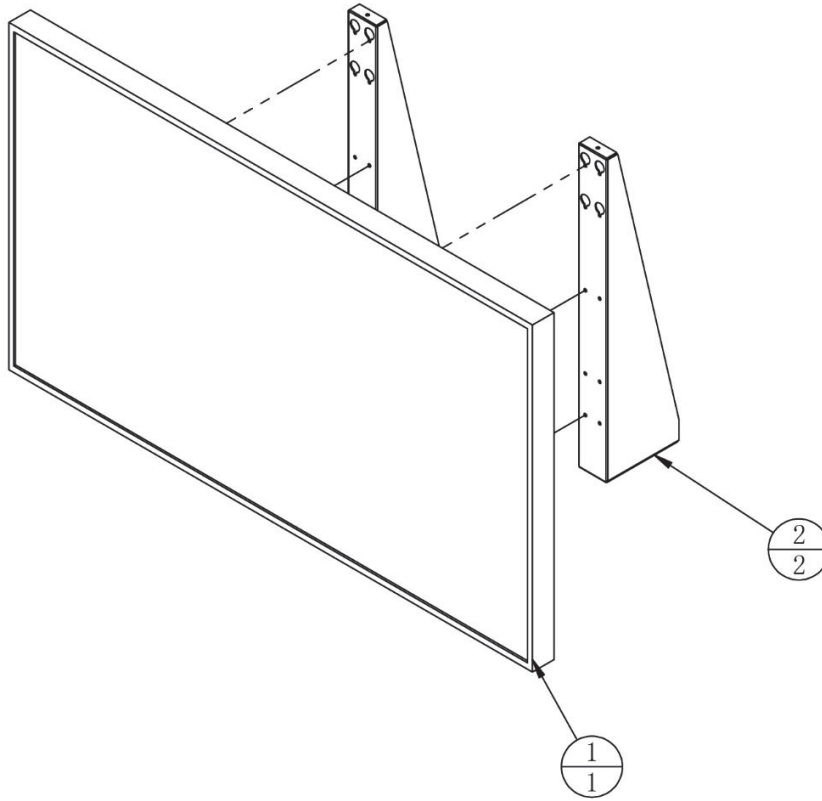
6	TMW-0404G23	L-type threaded 2-way	APL10-04	1	
5	TMW-0701H06	Pipe-connected Check Throttle	ASL10-04B	1	
4	TMW-0701H05	Fluid Control Valve	2KW050-15-F	1	
3	TMW-0404G21	L-type threaded 2-way	APL10-02	2	
2	TMW-0401G02	Gas Source Processing Component	GF200-08	1	
1	ATC-0214A01	Filter plate	SPCC-2.0T	1	
No.	Drawing No.	Name	Specification	Qty	Other

7.4.13 Sink Assembly



2	ATC-0215A02	Sink		1	
1	ATC-0215A01	Sink Fixing Plate		1	
No.	Drawing No.	Name	Specification	Qty	Other

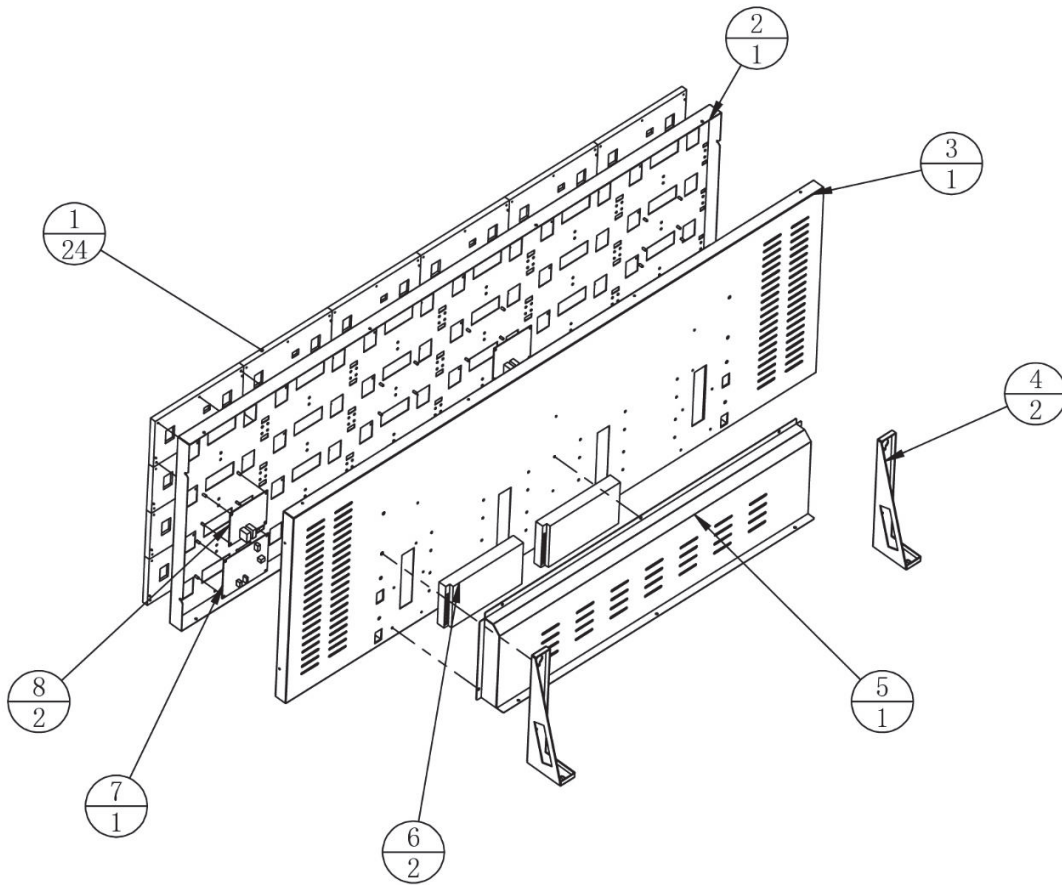
7.4.14 65" LCD Assembly



2	ATC-0203A01	LCD Monitor Fixing Plate	SPCC-2.5T	2	
1	TMW-0201H05	Monitor	65 inch	1	
No.	Drawing No.	Name	Specification	Qty	Other

7.5 LCD Panel Assembly

LCD Pabel Assembly



8	TMW-0801H03	Receiver Card		2	
7	TMW-0801H02	Transmitter Card	With HDMI port	1	
6	TMW-0102H04	Power box 5V	LRS-350-5	2	
5	ATC-0300A03	LED Panel rear cover	SPCC-1.0T	1	
4	ATC-0300A02	Light box bracket	SPCC-2.0T	2	
3	ATC-0300A04	LED Panel support plate	SPCC-1.2T	1	
2	ATC-0300A01	LED Panel Plate	SPCC-1.2T	1	
1	TMW-0801H01	LED Panel	MY-UDF-PH4	24	
No.	Drawing No.	Name	Specification	Qty	Other

