

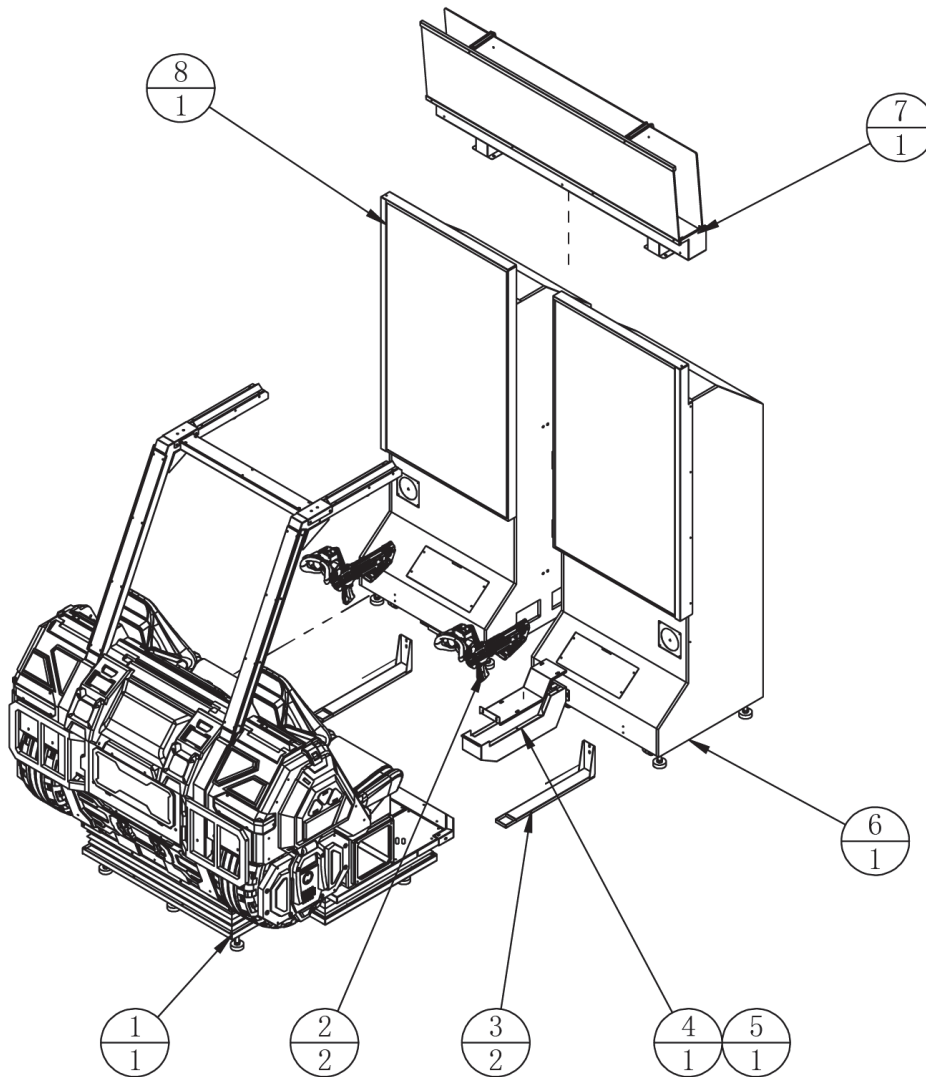
6. Assembly

6.1 Assembly Tree Diagram

APC-0000000	Machine assembly		APC-0100000	Seat Frame Assembly		APC-0101000	Base Assembly
						APC-0102000	Motion Platform Assembly
						APC-0103000	Seat Wooden Frame Assembly
						APC-0104000	Right Seat Assembly
						APC-0105000	Left Seat Assembly
						APC-0106000	Support Bracket Assembly
						APC-0107000	Rear Trim Assembly
						APC-0108000	Keypad Assembly
						APC-0109000	Pneumatic Control Valve Assembly
						APC-0110000	Hubcap Assembly
						APC-0111000	Service Panel Assembly
						APC-0112000	Jet Assembly
			APC-0200000	Left LCD Frame Assembly		APC-0201000	Left Wooden Frame Assembly
						APC-0202000	Air Compressor Assembly
						APC-0203000	Left LCD Assembly
						APC-0204000	Main Host Assembly
						APC-0205000	Air Compressor Door Assembly
						APC-0206000	Catch Basin Assembly
						APC-0207000	Liquid Crystal Door Assembly
			APC-0300000	Right LCD Frame Assembly		APC-0301000	Right Wooden Frame Assembly
						APC-0302000	Power Switch Assembly
						APC-0303000	Power Box Assembly
						APC-0304000	Host Door Assembly
						APC-0305000	Right LCD Assembly
			APC-0400000	Controller Assy			
			APC-0500000	Light Box Assembly			

6.2 General Assembly Diagram

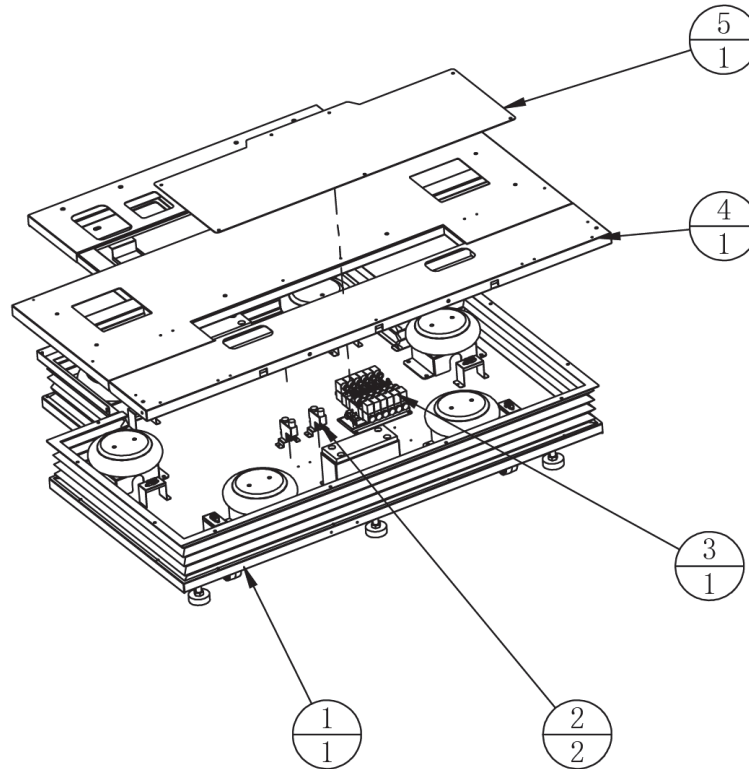
Cabinet General Assembly



8	APC-0200000	Left LCD Frame Assembly		1	
7	APC-0500000	Light Box Assembly		1	
6	APC-0300000	Right LCD Frame Assembly		1	
5	APC-0000A02	Crossing cover plate	SPCC-1.2T	1	
4	APC-0000A01	Crossing plate	SPCC-1.5T	1	
3	APC-0000A03	Positioner plate	SPCC-1.5T	2	
2	APC-0400000	Controller Assy		2	
1	APC-0100000	Seat Frame Assembly		1	
No.	Drawing No.	Name	Specification	Qty	Other

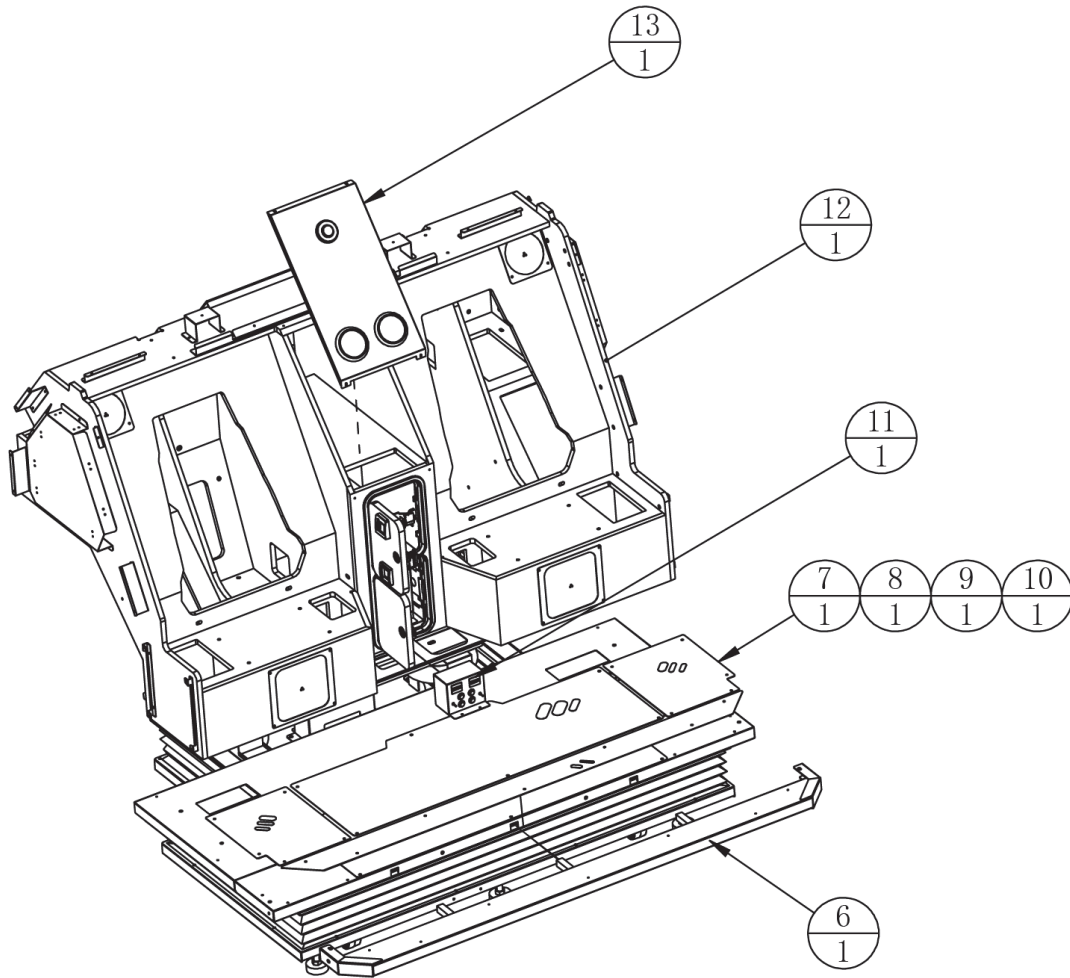
6.3 Seat Frame Assembly

6.3 Seat Frame Assembly (1 of 4)



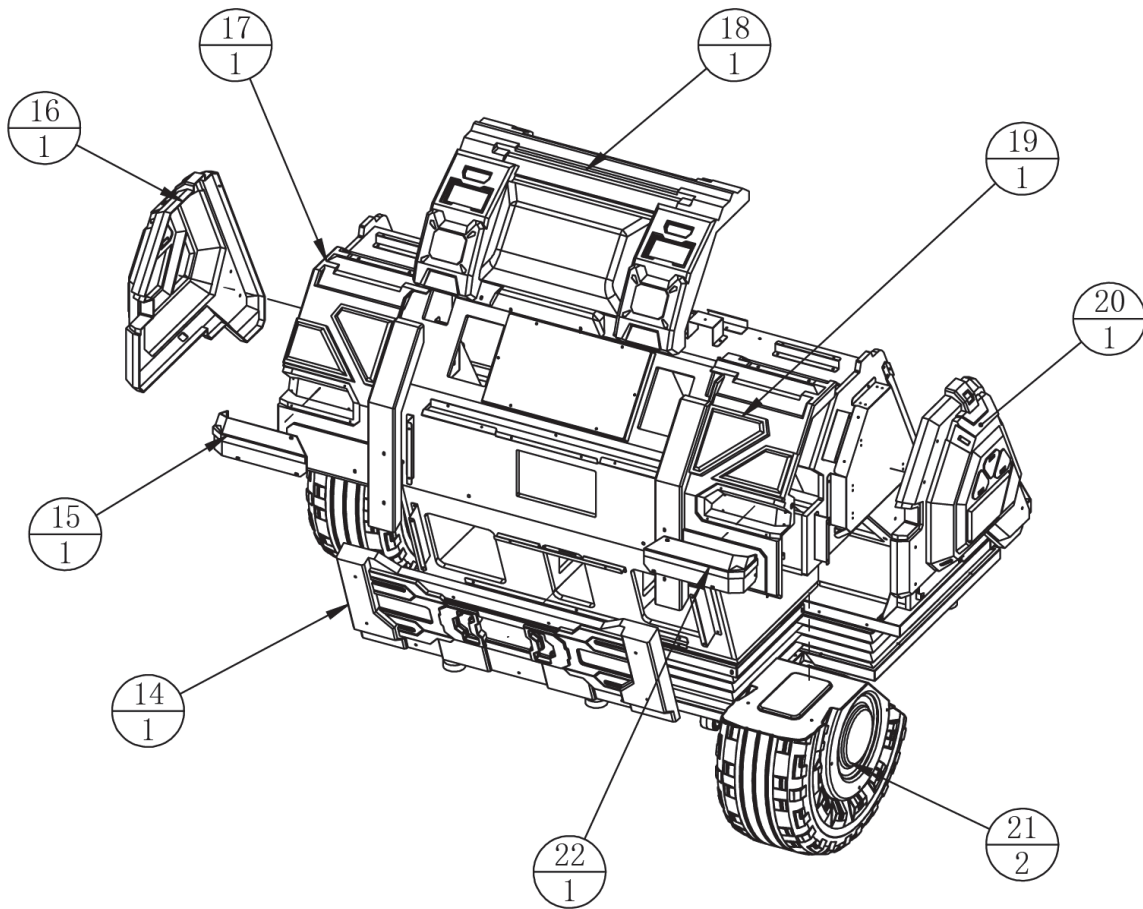
5	APC-0100A02	Foot pedal	SPCC-1.5T	1	
4	APC-0102000	Motion Platform Assembly		1	
3	APC-0109000	Pneumatic Control Valve Assembly		1	
2	APC-0112000	Jet Assembly		2	
1	APC-0101000	Base Assembly		1	
No.	Drawing No.	Name	Specification	Qty	Other

6.3 Seat Frame Assembly (2 of 4)



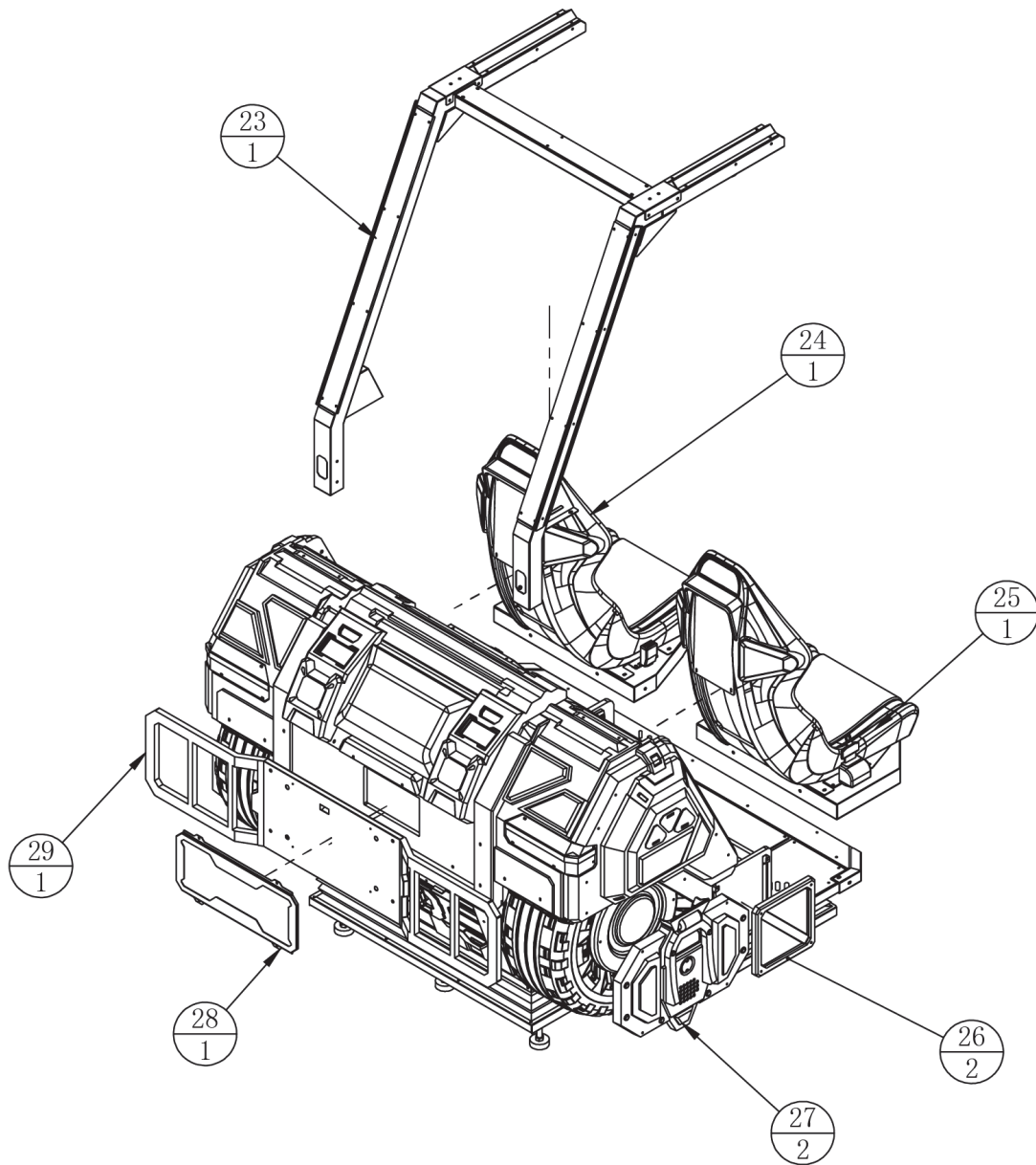
13	APC-0108000	Keypad Assembly		1	
12	APC-0103000	Seat Wooden Frame Assembly		1	
11	APC-0111000	Service Panel Assembly		1	
10	APC-0100A07	Anti-slip plate 4	AL	1	
9	APC-0100A06	Anti-slip plate 3	AL	1	
8	APC-0100A03	Anti-slip plate 1	AL	1	
7	APC-0100A04	Anti-slip plate 2	AL	1	
6	APC-0100A05	Support plate	SPCC	1	
No.	Drawing No.	Name	Specification	Qty	Other

6.3 Seat Frame Assembly (3 of 4)



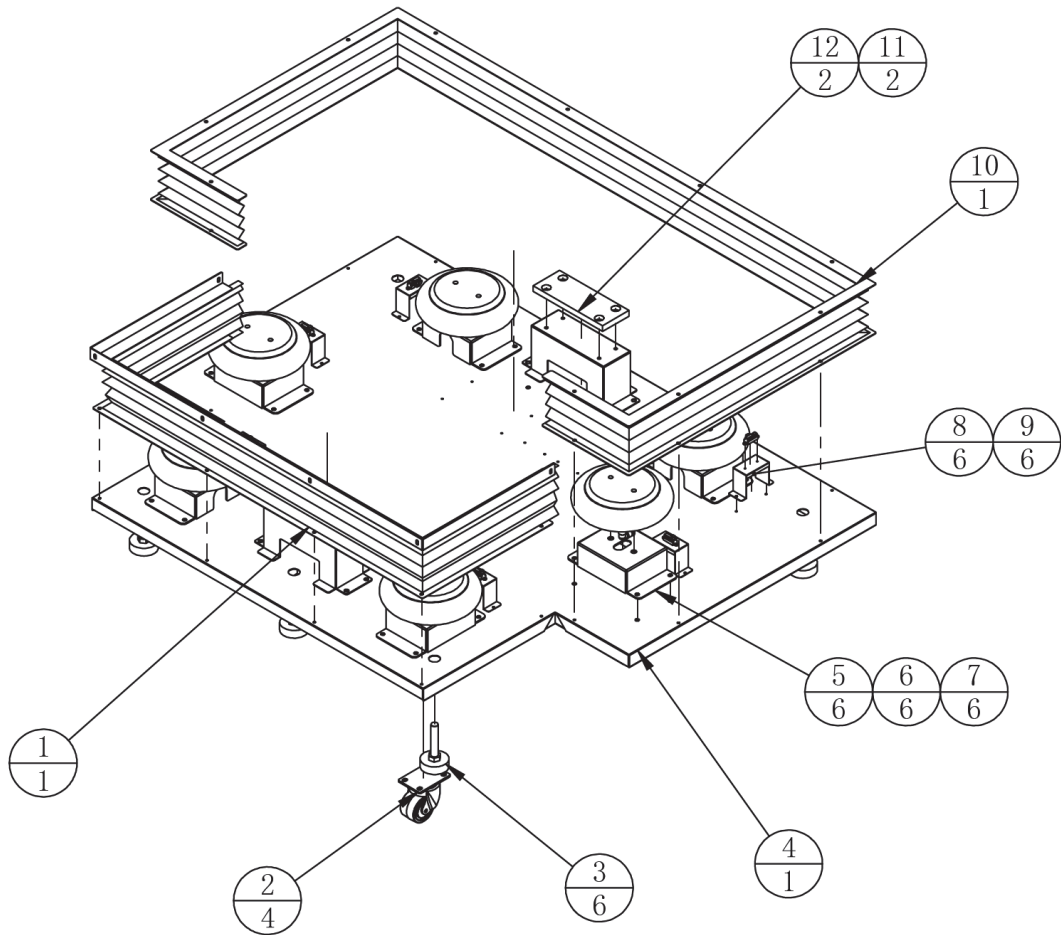
22	APC-0100C03	Right side tail light cover	RED PVC	1	
21	APC-0100C01	Wheel decoration		2	
20	APC-0100C06	Right side trim cover	ABS	1	
19	APC-0100C08	Right rear cover	ABS	1	
18	APC-0100C07	Top and middle cover	ABS	1	
17	APC-0100C09	Left rear cover	ABS	1	
16	APC-0100C10	Left side trim cover	ABS	1	
15	APC-0100C04	Left side tail light cover	RED PVC	1	
14	APC-0100C02	Lower back cover		1	
No.	Drawing No.	Name	Specification	Qty	Other

6.3 Seat Frame Assembly (4 of 4)



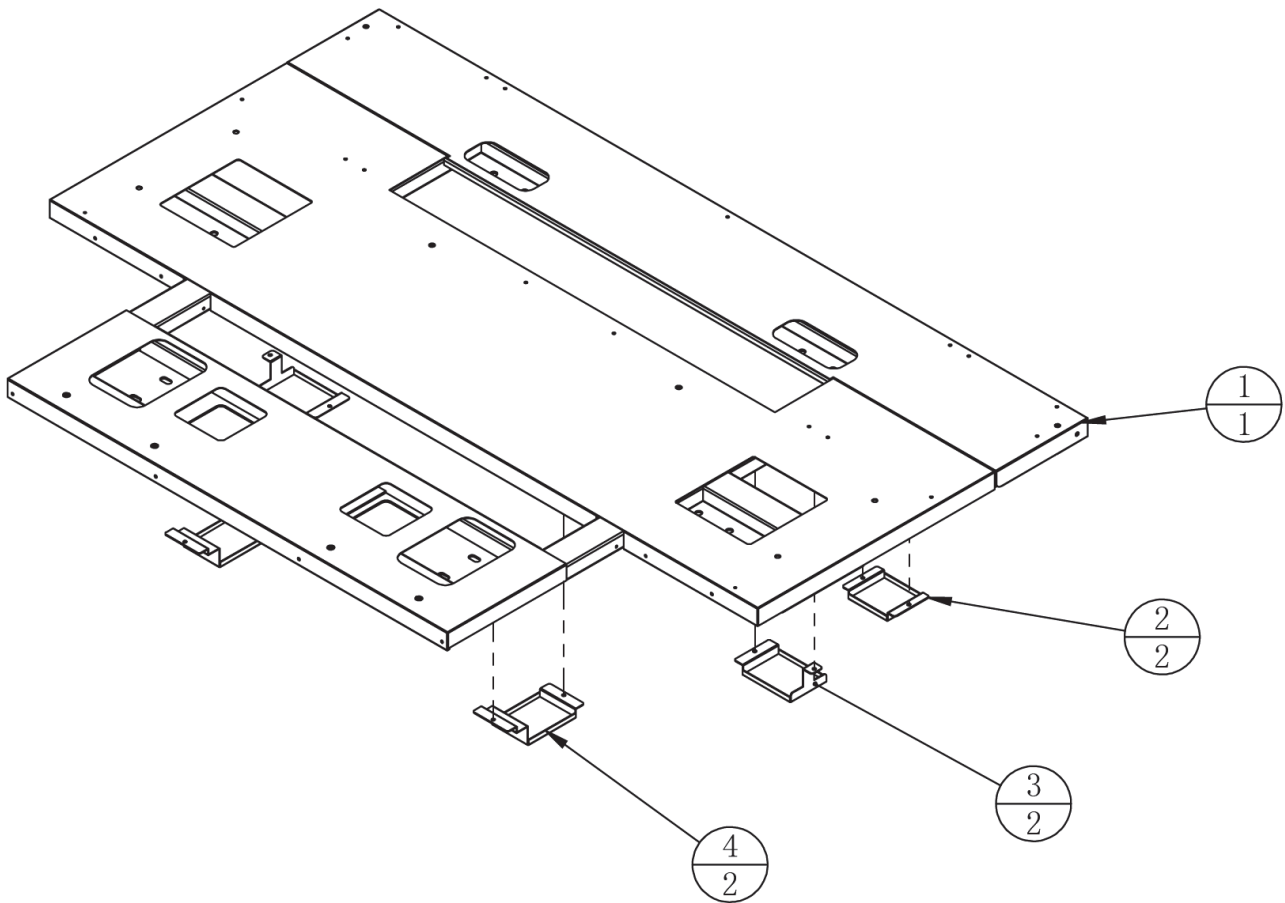
29	APC-0100A01	Crash barrier	管材 SPCC	1	
28	APC-0107000	Rear Trim Assembly		1	
27	APC-0110000	Hubcap Assembly		2	
26	APC-0100C05	Seat Side Trim Cover	ABS	2	
25	APC-0105000	Left Seat Assembly		1	
24	APC-0104000	Right Seat Assembly		1	
23	APC-0106000	Support Bracket Assembly		1	
No.	Drawing No.	Name	Specification	Qty	Other

6.3.1 Base Assembly



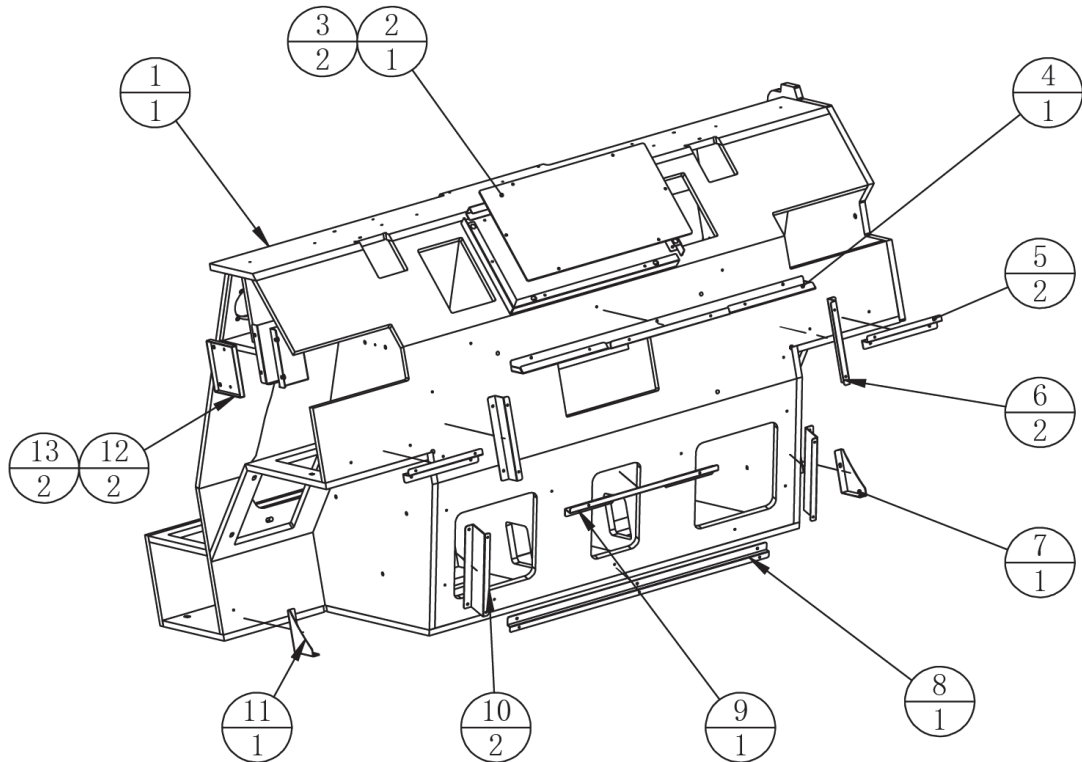
12	APC-0101C01	Limit rubber		2	
11	APC-0101A03	Limit seat	SPCC-2.0T	2	
10	APC-0101A05	Front end dust cover		1	
9	TMW-0210H13	Distance Sensor	GP2Y0A41SK0F	6	
8	APC-0101A06	Inductor retaining iron	SECC-1.0T	6	
7	TMW-0404G21	L-type threaded 2-way	APL10-02	6	
6	TMW-0403G62	Airbags	1B0120	6	
5	APC-0101A02	Airbag fixing iron	SPCC-3.0T	6	
4	APC-0101A01	Dynamic base		1	
3	TMW-0102G03	Ground Screw (Rubber Bottom)	M16*100	6	
2	TMW-0101G01	Movable casters	2.5'	4	
1	APC-0101A04	Rear end dust cover		1	
No.	Drawing No.	Name	Specification	Qty	Other

6.3.2 Monitor Glass Assembly



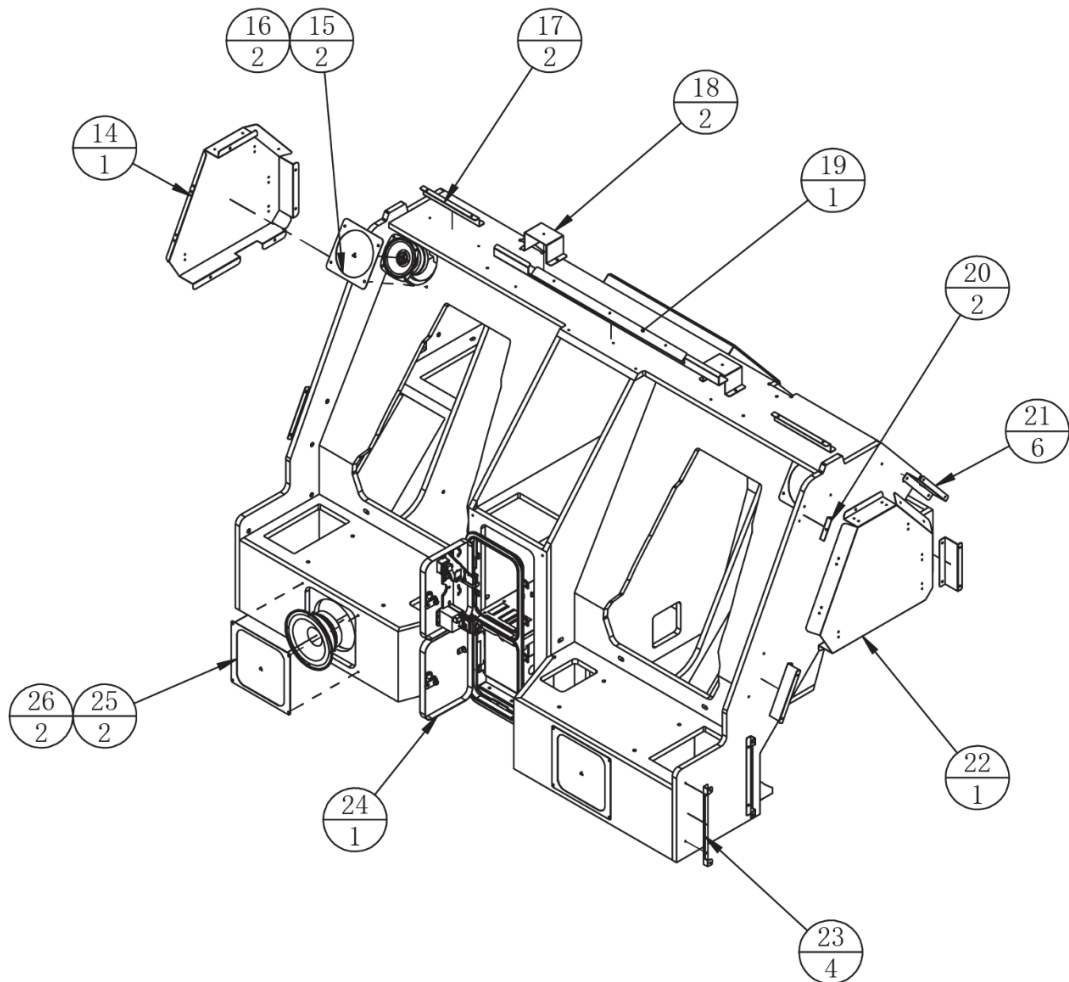
4	APC-0102A04	Induction plate 3	SPCC-1.5T	2	
3	APC-0102A03	Induction plate 2	SPCC-1.5T	2	
2	APC-0102A02	Induction plate 1	SPCC-1.5T	2	
1	APC-0102A01	Motion platform		1	
No.	Drawing No.	Name	Specification	Qty	Other

6.3.3 Seat Wooden Frame Assembly (1 of 2)



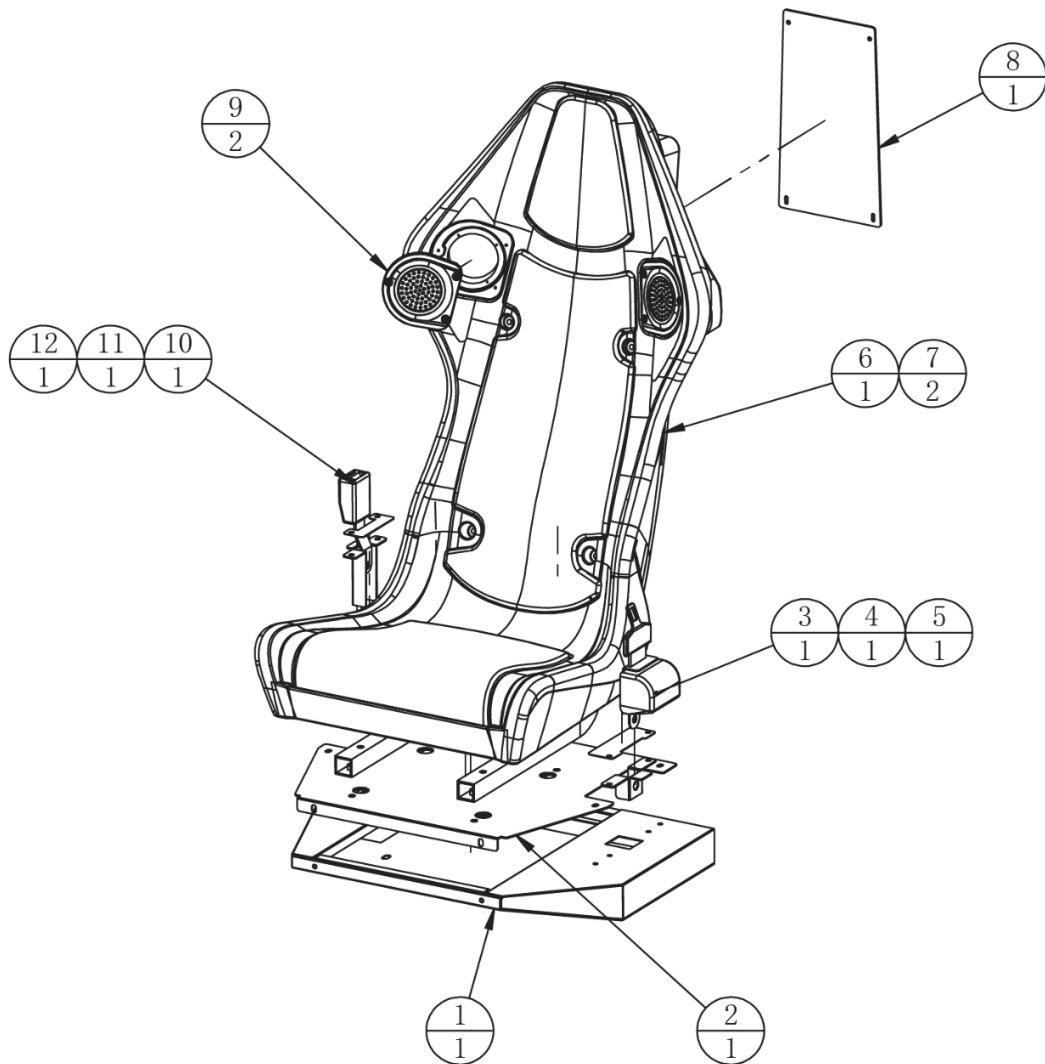
13	APC-0103A02	Bracket Fixing Plate	SPCC-1.5T	2	
12	APC-0103A16	Bracket reinforcement plate	SPCC-1.5T	2	
11	APC-0103A21	Left hand wheel plate	SPCC-1.2T	1	
10	APC-0103A11	Bottom cover 1	SPCC-1.2T	2	
9	APC-0103A12	Bottom cover 2	SPCC-1.2T	1	
8	APC-0103A13	Bottom cover 3	SPCC-1.2T	1	
7	APC-0103A20	Right hand wheel plate	SPCC-1.2T	1	
6	APC-0103A07	Side cover plate 2	SPCC-1.2T	2	
5	APC-0103A08	Side cover plate 3	SPCC-1.2T	2	
4	APC-0103A05	Middle cover plate 3	SPCC-1.2T	1	
3	APC-0103A14	Medium decorative box	SPCC-1.2T	2	
2	APC-0103D01	Medium decorative board	PMMA-3.0T	1	
1	APC-0103B01	Seat frame		1	
No.	Drawing No.	Name	Specification	Qty	Other

6.3.3 Seat Wooden Frame Assembly (2 of 2)



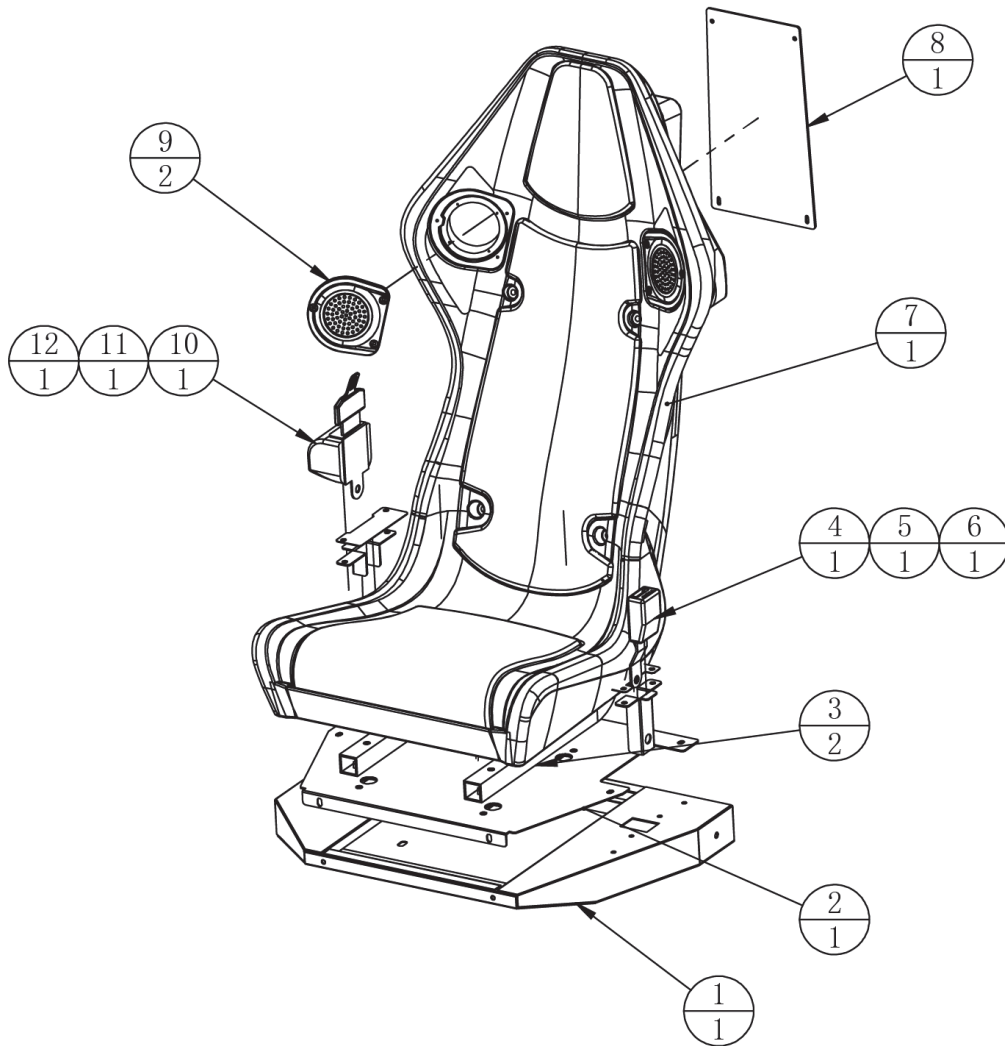
26	TMW-0401H03	Woofers	6.5' 4Ω/60W	2	
25	APC-0103A01	Woofers Networks		2	
24	TMW-0204G02	Cion door	10429800	1	
23	APC-0103A09	Side decorative panel	SPCC-1.2T	4	
22	APC-0103A18	Right LED board	SECC-1.0T	1	
21	APC-0103A10	Side plate	SPCC-1.2T	6	
20	APC-0103A19	Side cover plate 4	SPCC-1.2T	2	
19	APC-0103A03	Middle cover plate 1	SPCC-1.2T	1	
18	APC-0103A04	Middle cover plate 2	SPCC-1.2T	2	
17	APC-0103A06	Side cover plate 1	SPCC-1.2T	2	
16	TMW-0401H09	Speaker	4' 8Ω 60W	2	
15	APC-0103A15	Speaker net		2	
14	APC-0103A17	Left LED plate	SECC-1.0T	1	
No.	Drawing No.	Name	Specification	Qty	Other

6.3.4 Right Seat Assembly



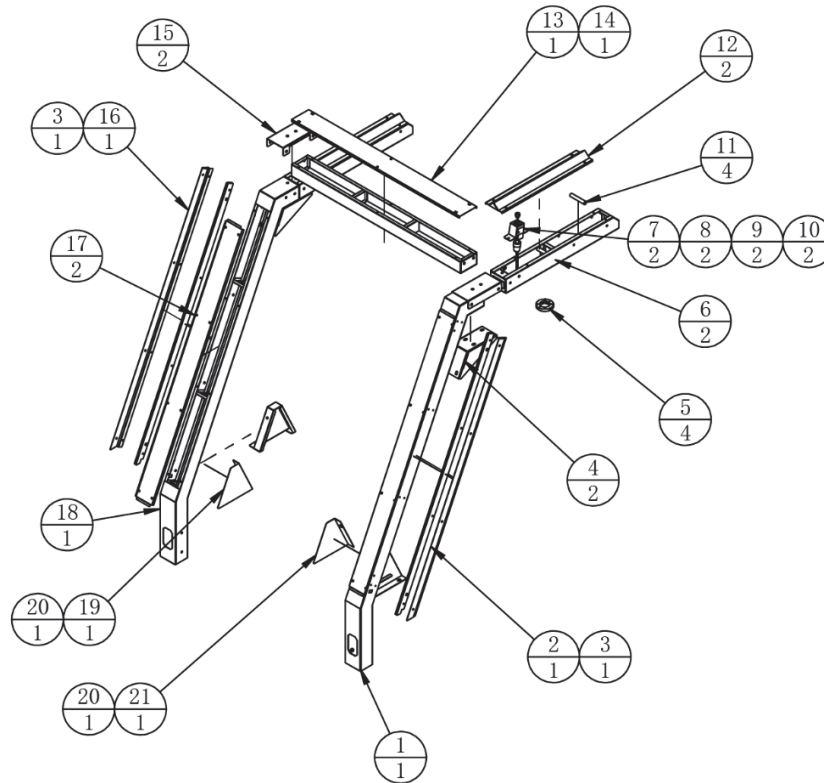
12	APC-0104A03	Seat belt plate 2	SPCC-2.0T	1	
11	APC-0104A06	Seat belt cover plate 2	SPCC-1.0T	1	
10	TMW-0601G05-01	Seat Belt Buckle		1	
9	ATC-0103C02	Hole cover	ABS	2	
8	APC-0104D01	Seat Decorative Plate	PMMA-3.0T	1	
7	ATC-0103A06	Seat Bend	30*30*2.5	2	
6	ATC-0103C01	Seat		1	
5	APC-0104A02	Seat belt plate 1	SPCC-2.0T	1	
4	APC-0104A05	Seat belt cover plate 1	SPCC-1.0T	1	
3	TMW-0601G05-02	Seat Belt		1	
2	APC-0104A04	Seat fixing plate	SPCC-2.0T	1	
1	APC-0104A01	Right seat fixing frame		1	
No.	Drawing No.	Name	Specification	Qty	Other

6.3.5 Left Seat Assembly



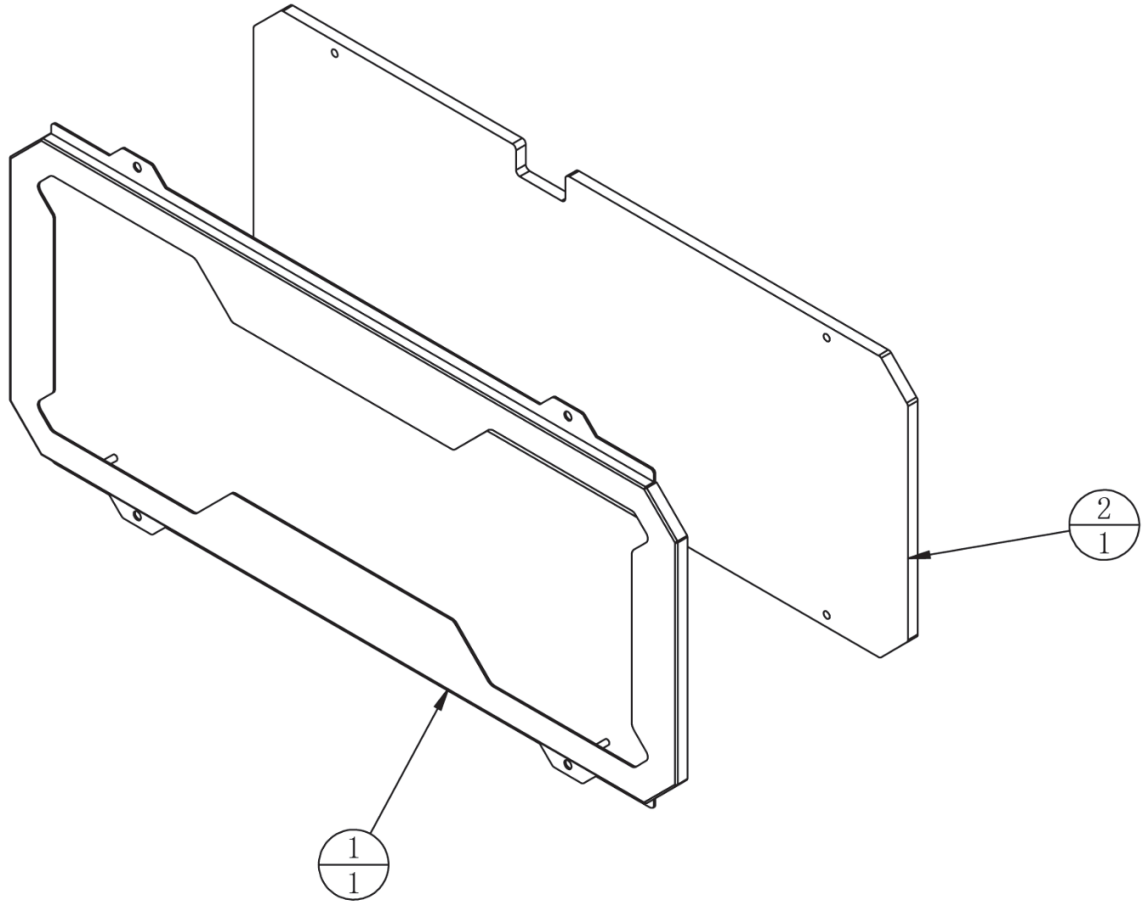
12	APC-0104A02	Seat belt plate 1	SPCC-2.0T	1	
11	APC-0104A05	Seat belt cover plate 1	SPCC-1.0T	1	
10	TMW-0601G05-02	Seat Belt		1	
9	ATC-0103C02	Hole cover	ABS	2	
8	APC-0104D01	Seat Decorative Plate	PMMA-3.0T	1	
7	ATC-0103C01	Seat		1	
6	APC-0104A03	Seat belt plate 2	SPCC-2.0T	1	
5	APC-0104A06	Seat belt cover plate 2	SPCC-1.0T	1	
4	TMW-0601G05-01	Seat Belt Buckle		1	
3	ATC-0103A06	Seat Bend	30*30*2.5	2	
2	APC-0104A04	Seat fixing plate	SPCC-2.0T	1	
1	APC-0105A01	Left seat fixing frame		1	
No.	Drawing No.	Name	Specification	Qty	Other

6.3.6 Support Frame Assembly



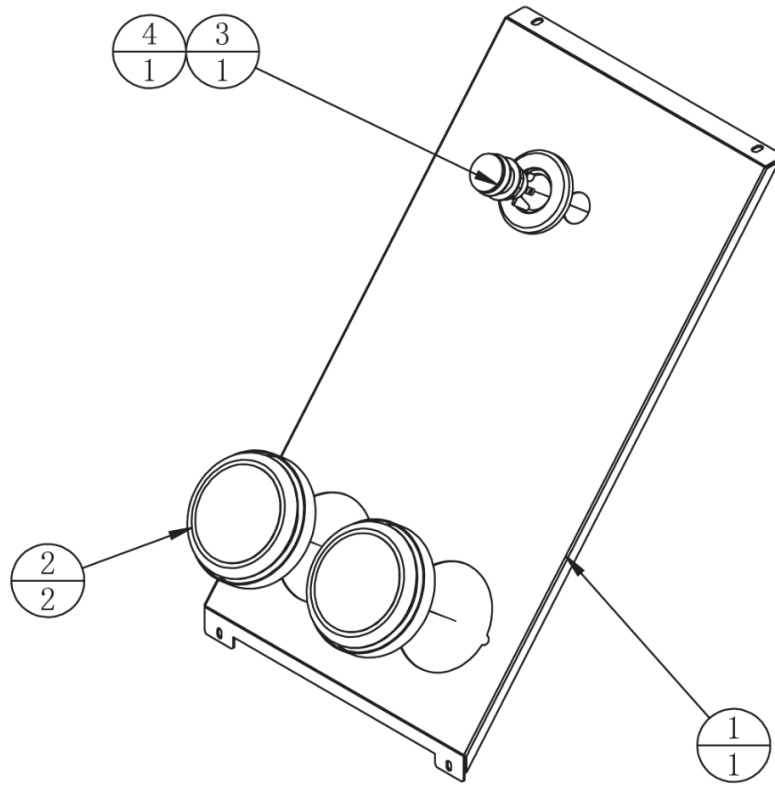
21	APC-0106A18	Right bracket cover	SPCC-1.2T	1	
20	APC-0106A03	Bracket support plate	SPCC-1.5T	2	
19	APC-0106A17	Left bracket cover	SPCC-1.2T	1	
18	APC-0106A02	Left bracket		1	
17	APC-0106A08	Bracket cover plate 2	SPCC-1.0T	2	
16	APC-0106A12	Left frame lamp cover	SPCC-1.2T	1	
15	APC-0106A13	Suspension bracket fixing plate	SPCC-2.0T	2	
14	APC-0106A04	Upper bracket		1	
13	APC-0106A07	Bracket cover plate 1	SPCC-1.2T	1	
12	APC-0106A16	Bracket cover plate 3	SPCC-1.0T	2	
11	APC-0106A10	Retaining rod	Q235	4	
10	TMW-0404G01	Straight threaded Joint	APC10-02	2	
9	TMW-0601G15	Nozzle	BLACK	2	
8	APC-0106A06	Air cannon mount	Q235	2	
7	APC-0106A09	Air cannon racks	SPCC-1.2T	2	
6	APC-0106A05	Suspension bracket		2	
5	APC-0106A15	Harness protector		4	
4	APC-0106A14	Strengthen plate 1	SPCC-3.0T	2	
3	APC-0106D01	Bracket light guide acrylic	PMMA-8.0T	2	
2	APC-0106A11	Right frame lamp cover	SPCC-1.2T	1	
1	APC-0106A01	Right bracket		1	
No.	Drawing No.	Name	Specification	Qty	Other

6.3.7 Seat Back Decoration Assembly



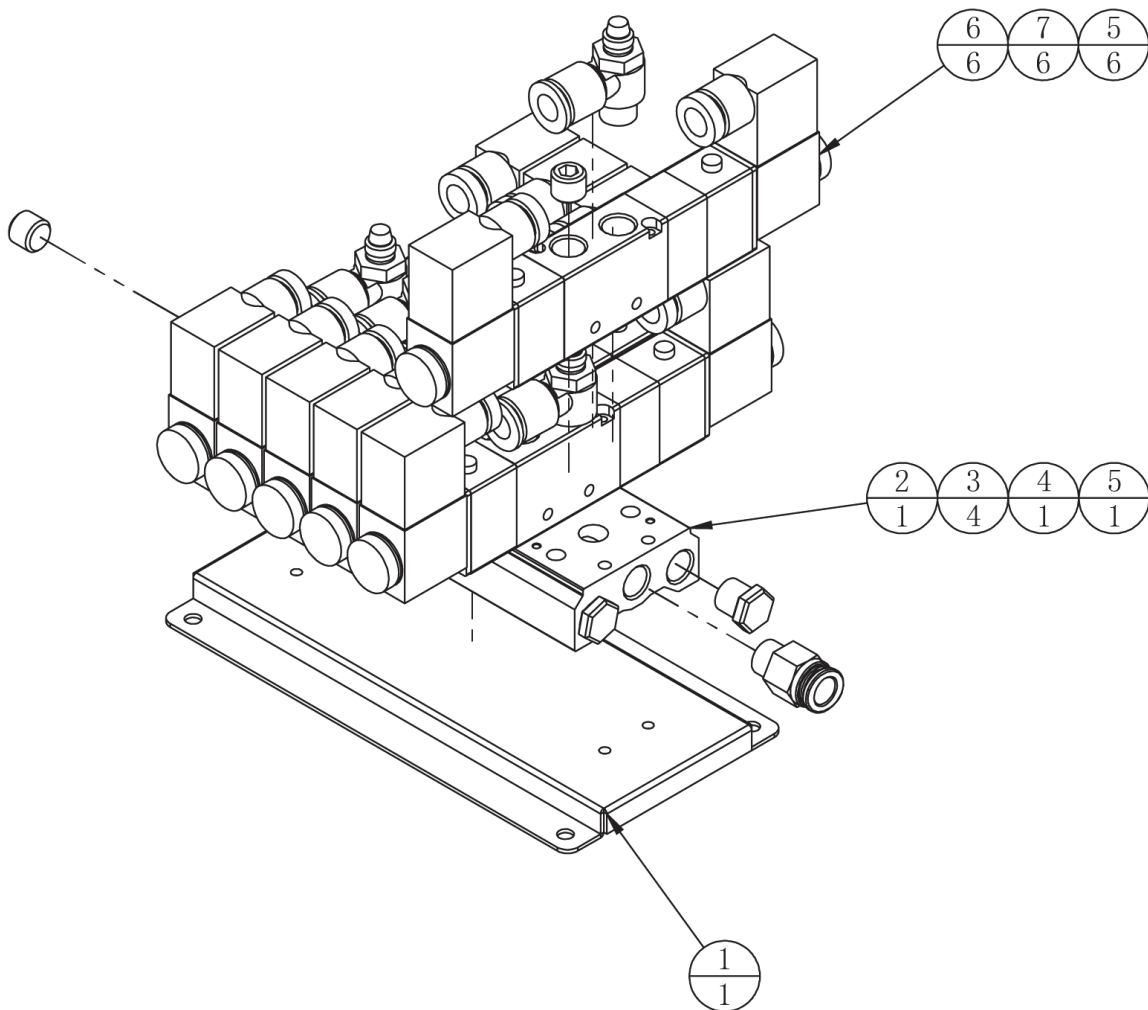
2	APC-0107D01	Anti-collision light guide acrylic	PMMA-8.0T	1	
1	APC-0107A01	Anti-collision decorations	SPCC-1.2T	1	
No.	Drawing No.	Name	Specification	Qty	Other

6.3.8 Button Assembly



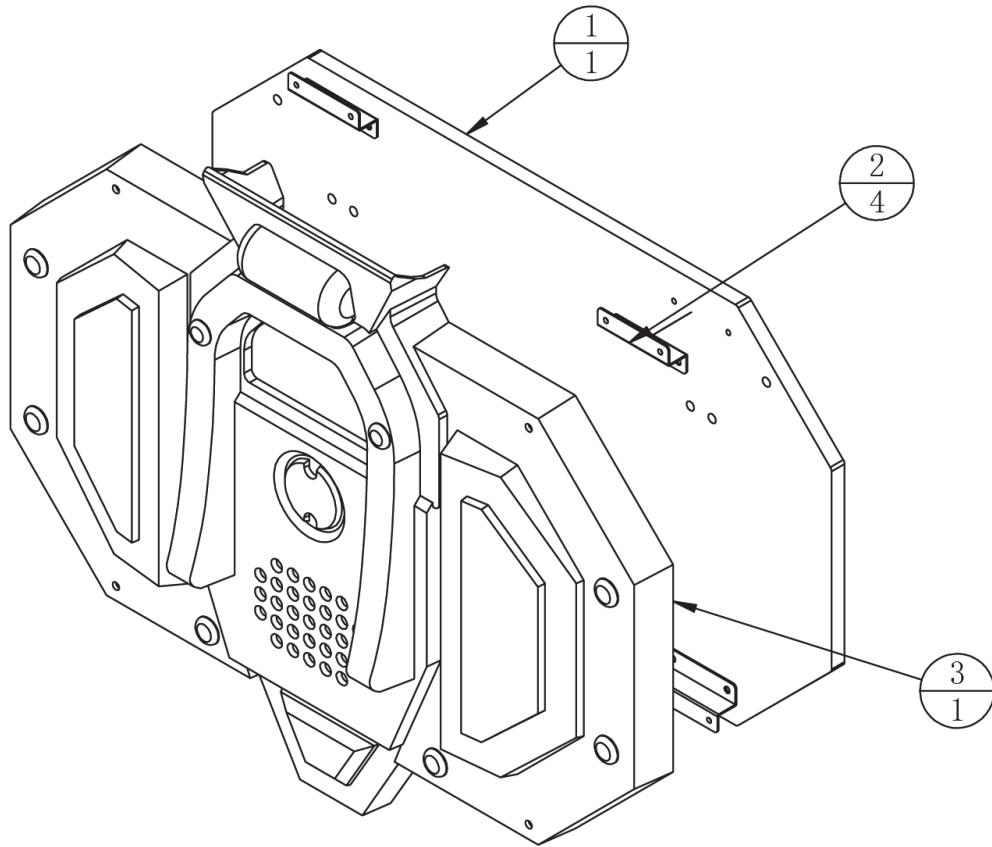
4	ATV-0107D01	STOP Button Pad	PMMA-8.0T	1	
3	TMW-0203H01	Red Button	LA38-11M	1	
2	TMW-0301H04	Start button	φ100-DOME-CW	2	
1	APC-0108A01	Keypad	SPCC-1.5T	1	
No.	Drawing No.	Name	Specification	Qty	Other

6.3.9 Air Control Valve Assembly



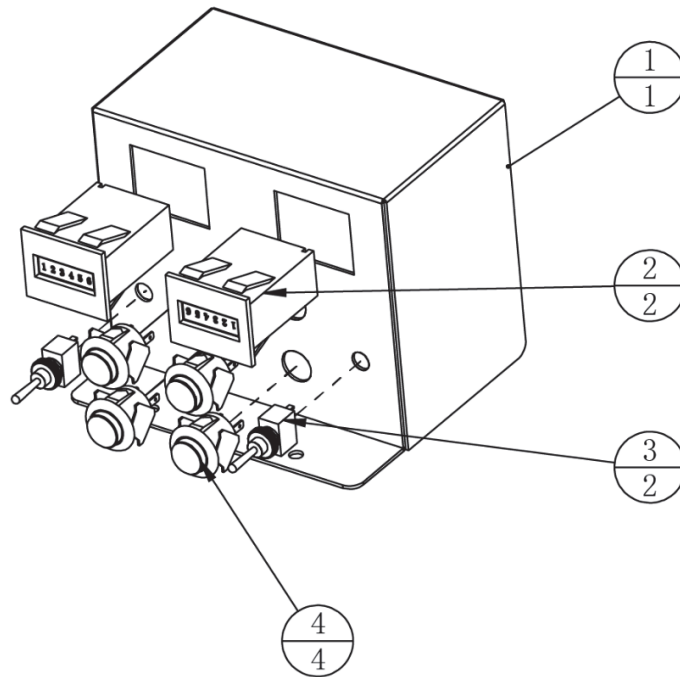
7	TMW-0404G21	L-type threaded 2-way	APL10-02	6	
6	TMW-0701H09	Solenoid valve	4V230C 08F	6	
5	TMW-0404G72	Hexagonal Plugs	ABP-02	7	
4	TMW-0404G01	Straight threaded Joint	APC10-02	1	
3	TMW-0901G13	Silencer	PAL02	4	
2	TMW-0801G24	Base	200M6F	1	
1	APC-0109A01	Solenoid valve seat	SECC-1.5T	1	
No.	Drawing No.	Name	Specification	Qty	Other

6.3.10 Wheel Hubcap Assembly



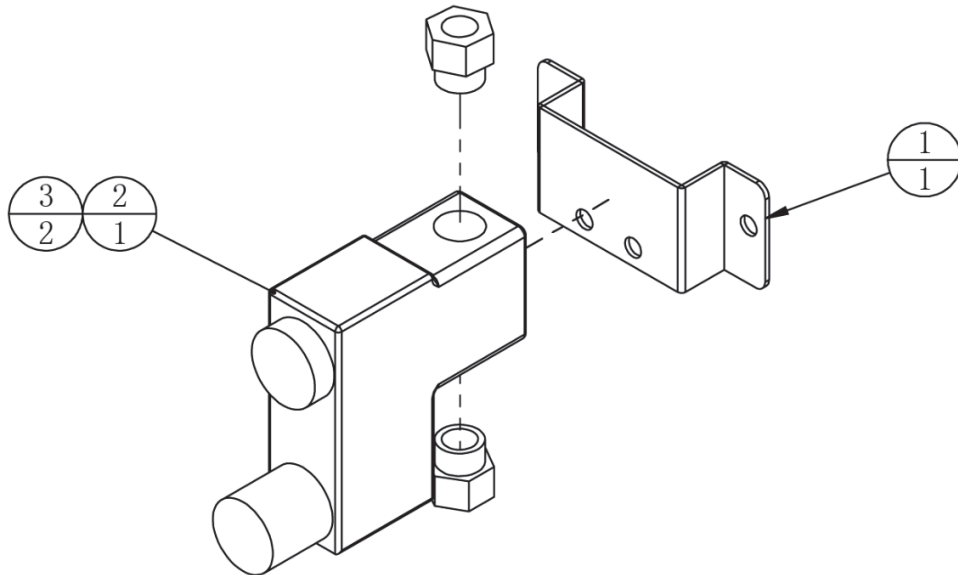
3	APC-0110C01	Wheel cover	ABS	1	
2	APC-0110A01	Wheel support plate	SPCC-1.2T	4	
1	APC-0110B01	Wheel hub board	MDF-12.0T	1	
No.	Drawing No.	Name	Specification	Qty	Other

6.3.11 Service Panel Assembly



4	TMW-0203H01	Red Button	G-111-CR	4	
3	TMW-0103H08	Mini Button Switches	3P KNX123D	2	
2	TMW-0210H08	Counter	DC 5V	1	
1	APC-0111A01	Service panel	SECC-1.2T	1	

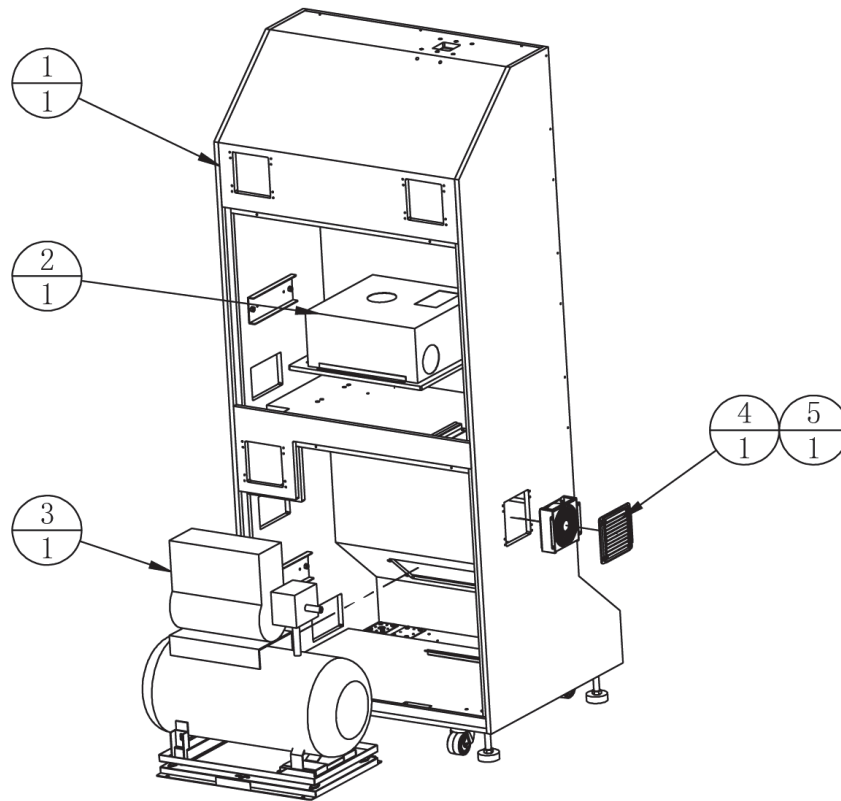
6.3.12 Air Jet Assembly



3	TMW-0404G01	Straight threaded Joint	APC10-02	2	
2	TMW-0701H02	Fulid Control Valve	2V025-08	1	
1	APC-0112A01	Air valve fixing plate	SPCC-1.2T	1	
No.	Drawing No.	Name	Specification	Qty	Other

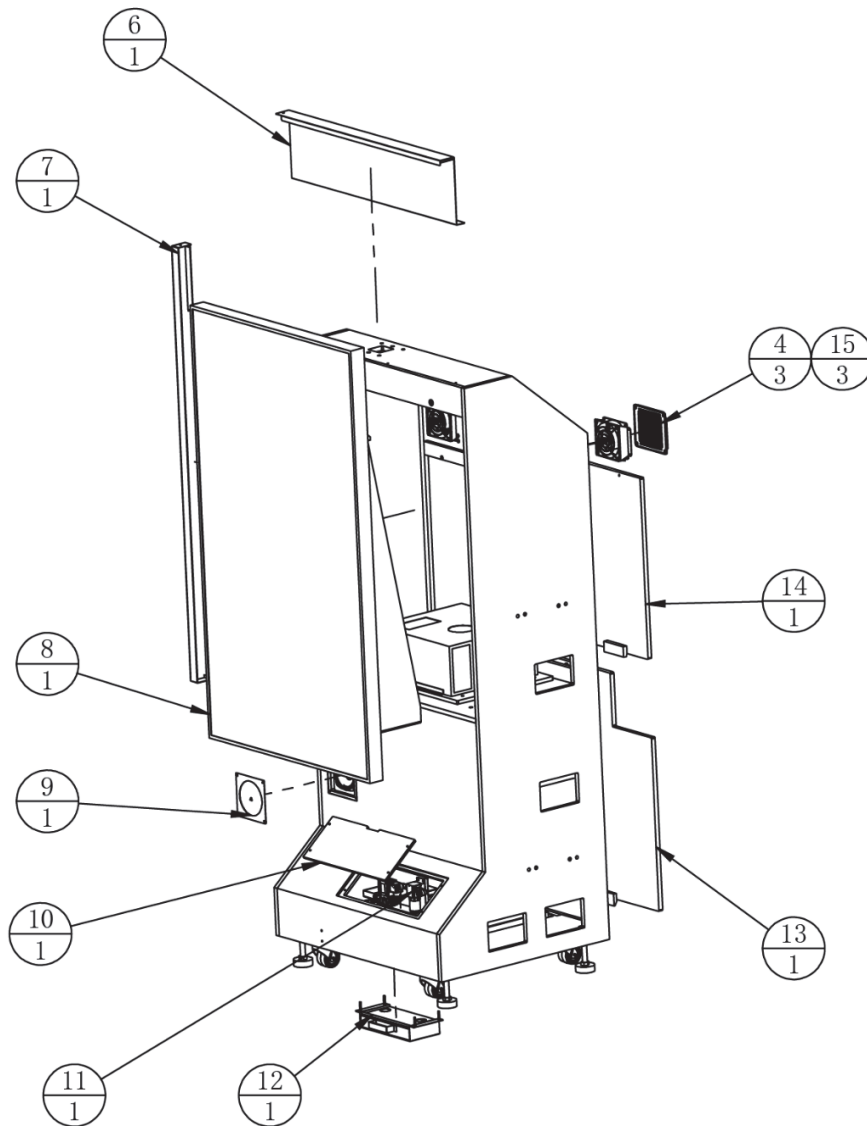
6.4 Left LCD Frame Assembly

6.4 Left LCD Frame Assembly (1 of 2)



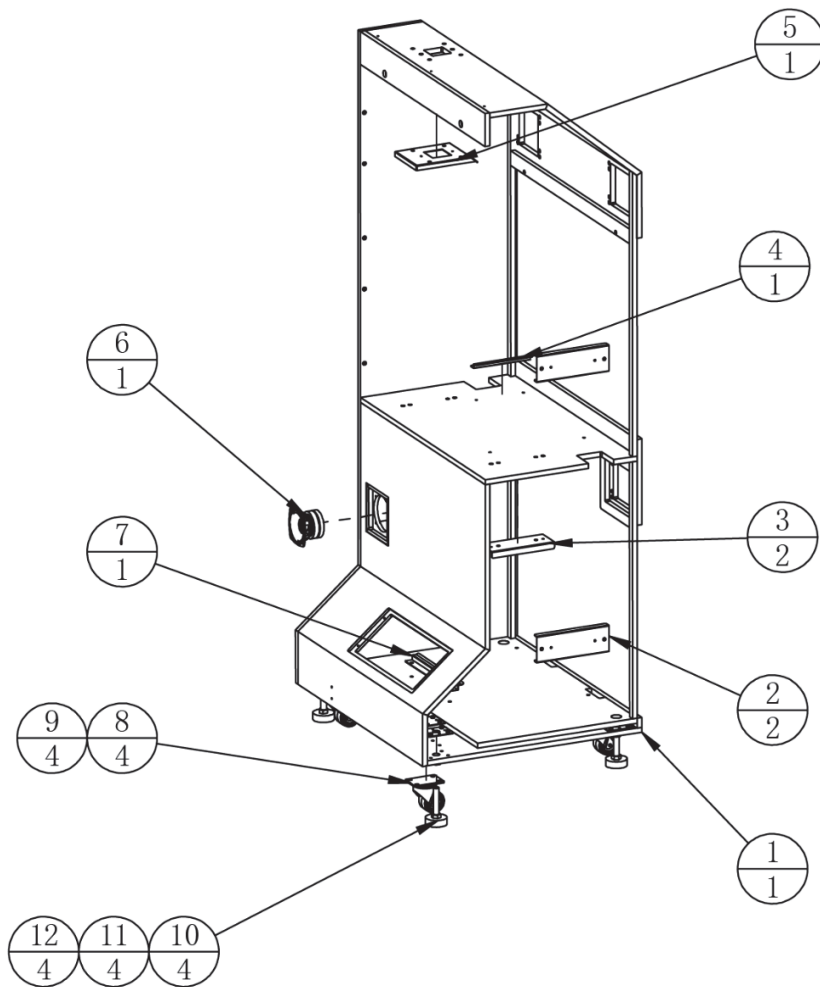
5	ATC-0210000	Air Intake Fan Assembly		1	
4	TMW-0302G01	Plastic Ventilation Net	253-5460	4	
3	APC-0202000	Air Compressor Assembly		1	
2	APC-0204000	Main Host Assembly		1	
1	APC-0201000	Left Wooden Frame Assembly		1	
No.	Drawing No.	Name	Specification	Qty	Other

6.4 Left LCD Frame Assembly (2 of 2)



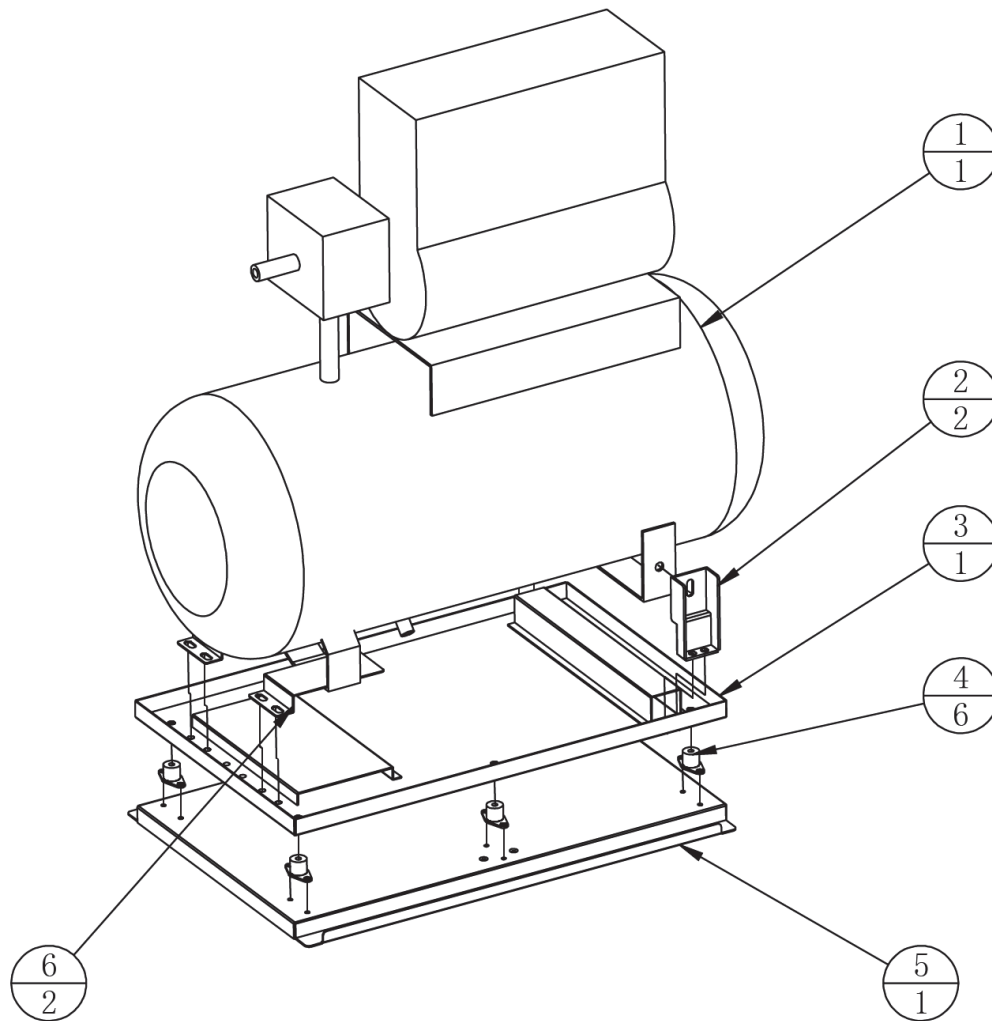
15	ATC-0209000	Fan Assembly		3	
14	APC-0207000	Liquid Crystal Door Assembly		1	
13	APC-0205000	Air Compressor Door Assembly		1	
12	APC-0206000	Catch Basin Assembly		1	
11	ATC-0214000	Filter Assembly		1	
10	APC-0200B01	LCD lower cover	MDF-15.0T	1	
9	APC-0200A02	Speaker cover	SPCC-1.2T	1	
8	APC-0203000	Left LCD Assembly		1	
7	APC-0200A03	Left LCD side cover	SPCC-1.5T	1	
6	APC-0200A01	Left LCD rear cover	SPCC-1.0T	1	
No.	Drawing No.	Name	Specification	Qty	Other

6.4.1 Left Wooden Frame Assembly



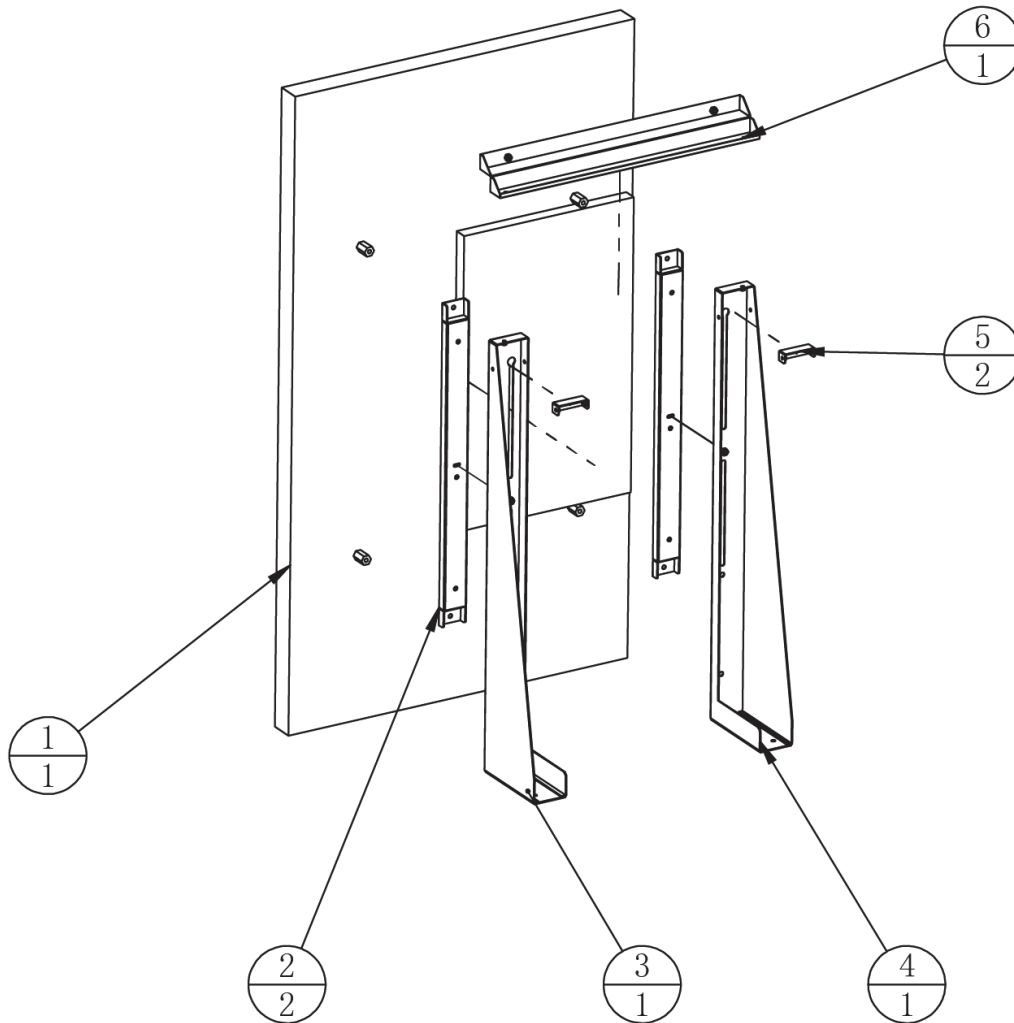
12	ATV-0201A05	Ground screw fixing iron	SPCC-2.0T	4	
11	ATV-0201A07	Baseboard	SPCC-2.0T	4	
10	TMW-0102G03	Ground Screw (Rubber Bottom)	M16*100	4	
9	ATV-0201A06	Caster fixing iron	SPCC-2.0T	4	
8	TMW-0101G01	Movable casters	2.5'	4	
7	APC-0201A04	Air compressor limit plate	SECC-1.5T	1	
6	TMW-0401H09	Speaker	4' 8Ω Golden 60W	1	
5	APC-0201A05	Light box reinforcement plate	SPCC-2.0T	1	
4	APC-0201A01	Host Limit Plate	SECC-1.5T	1	
3	APC-0201A02	Monitor reinforcement plate	SECC-2.0T	2	
2	APC-0201A03	Frame connecting plate	SECC-2.0T	2	
1	APC-0201B01	Left LCD frame		1	
No.	Drawing No.	Name	Specification	Qty	Other

6.4.2 Air Compressor Assembly



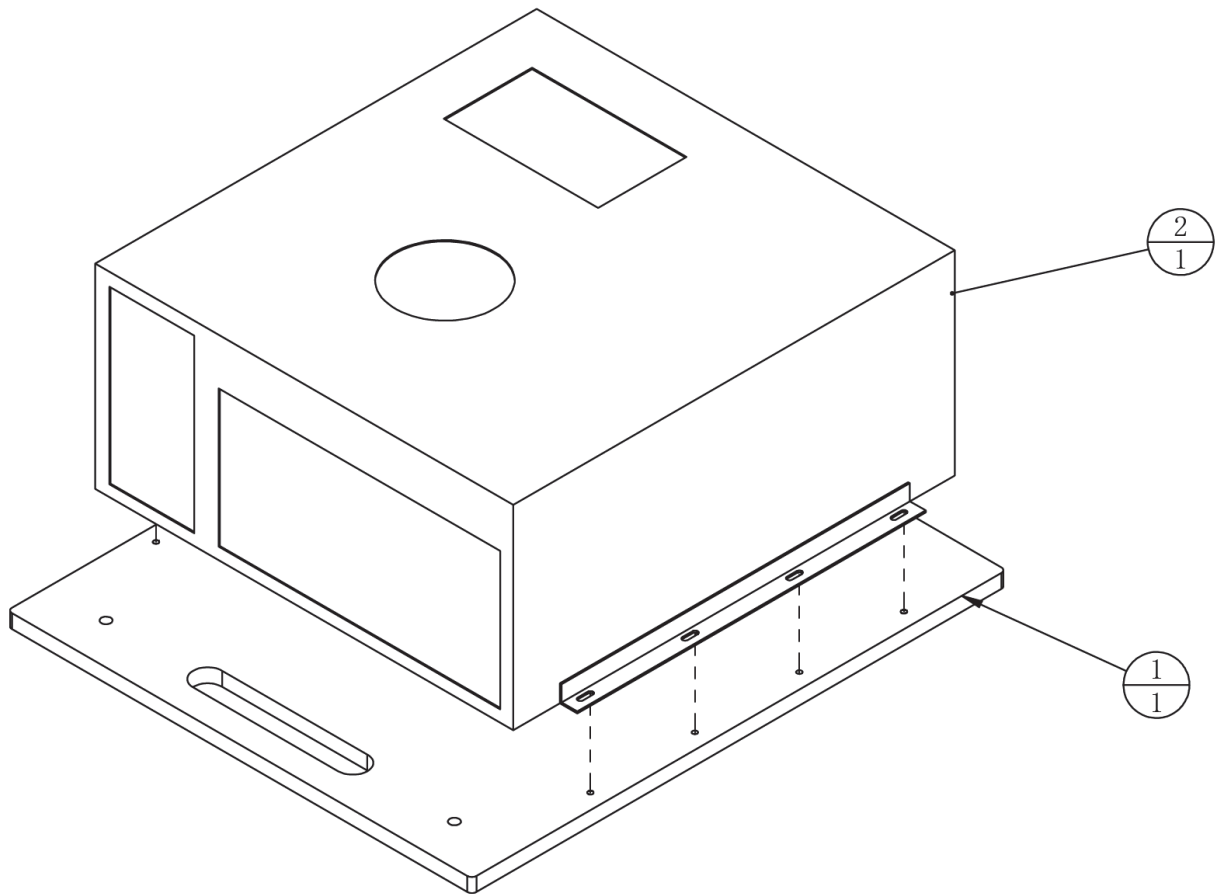
6	APC-0202A03	Air compressor press iron	SPCC-1.5T	2	
5	APC-0202A01	Air compressor anti-vibration base		1	
4	TMW-0102G02	Marquee Type Anti-Vibration Feet		6	
3	APC-0202A02	Air compressor support base		1	
2	APC-0202A04	Air compressor fixing iron	SPCC-2.5T	2	
1	TMW-0206H07	Compressor	FB1100D0-10C40	1	
No.	Drawing No.	Name	Specification	Qty	Other

6.4.3 Left LCD Assembly



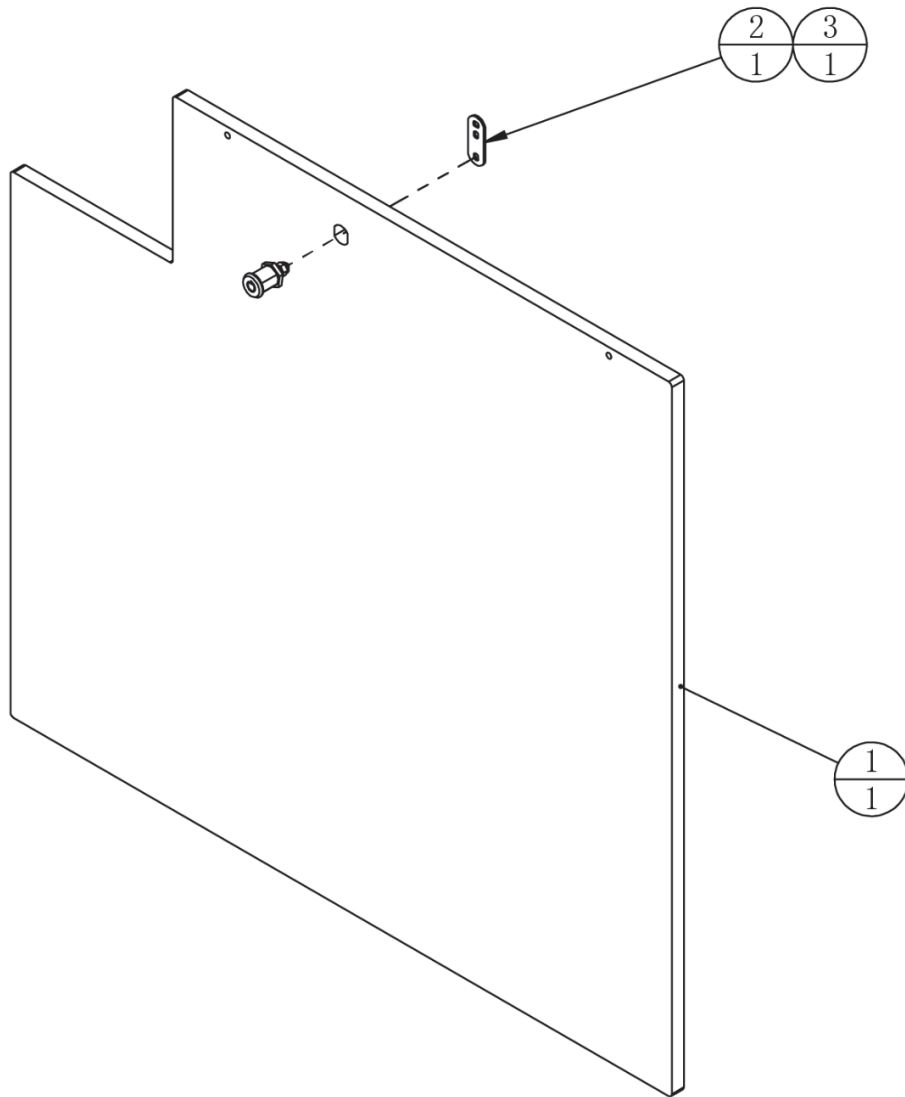
6	APC-0203A03	Monitor support plate	SPCC-1.5T	1	
5	APC-0203A05	Limit Plate	SPCC-2.0T	2	
4	APC-0203A02	Monitor left fixing plate	SPCC-2.5T	1	
3	APC-0203A01	Monitor right fixing plate	SPCC-2.5T	1	
2	APC-0203A04	Monitor pad	SPCC-2.0T	2	
1	TMW-0201H10	Monitor-Left side	65" LCD Ultra Narrow Bezel	1	
No.	Drawing No.	Name	Specification	Qty	Other

6.4.4 PC Assembly



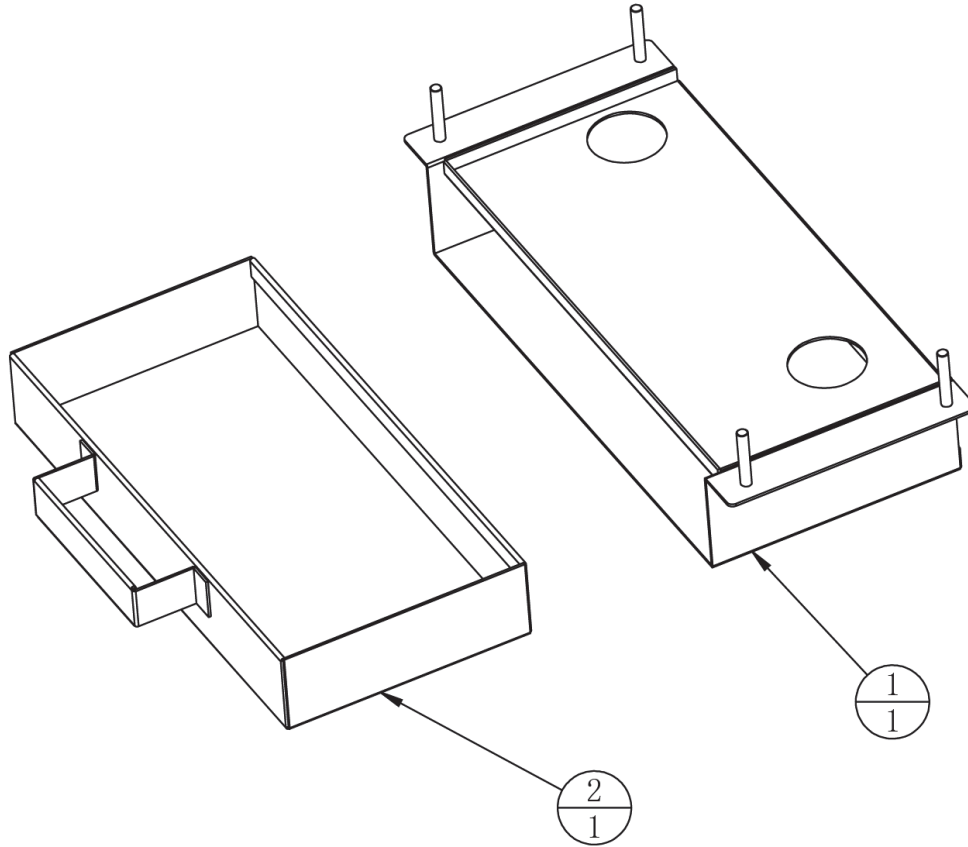
2	APC-0207H01	PC	IPC-3WM002	1	
1	APC-0204B01	Host PC fixing board	MDF-15.0T	1	
No.	Drawing No.	Name	Specification	Qty	Other

6.4.5 Air Compressor Door Assembly



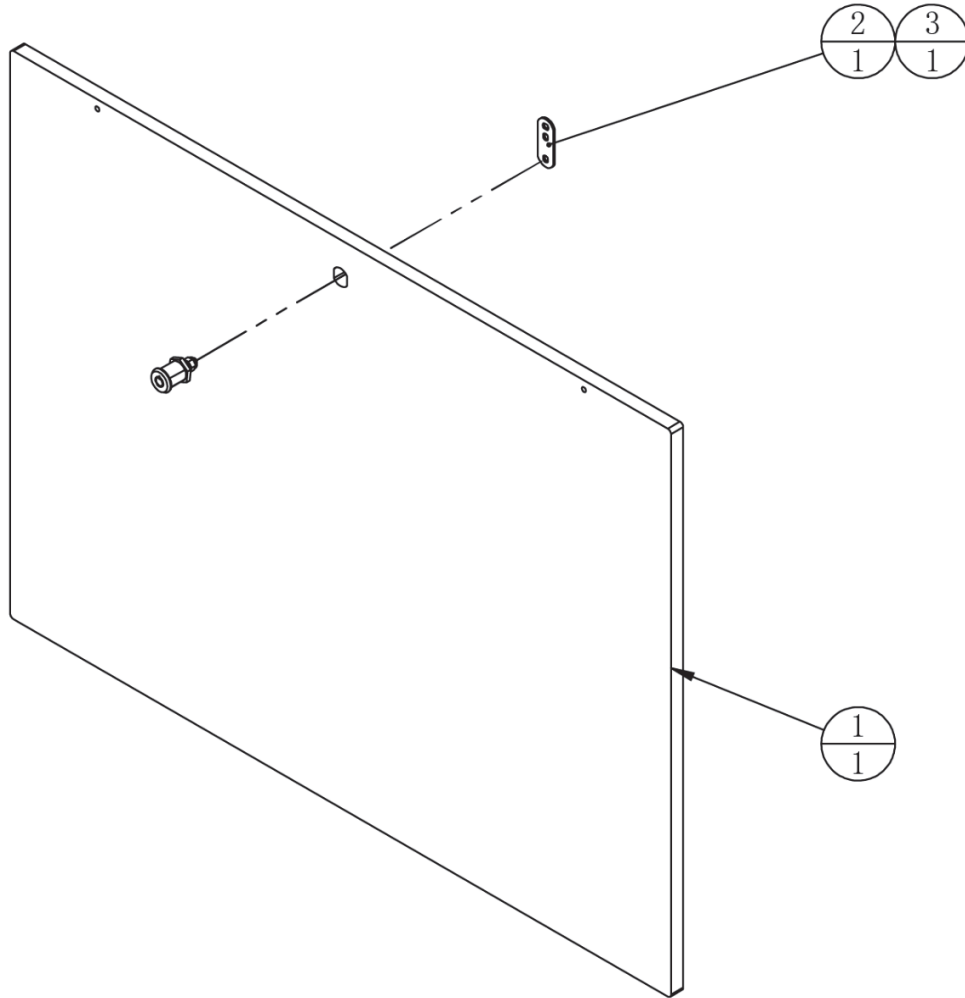
3		Lock	FM666	1	
2		locking plate	5cm(004号)	1	
1	APC-0205B01	Air compressor Door	MDF-15.0T	1	
No.	Drawing No.	Name	Specification	Qty	Other

6.4.6 Water Tank Assembly



2	APC-0206A02	Sink		1	
1	APC-0206A01	Sink fixing plate		1	
No.	Drawing No.	Name	Specification	Qty	Other

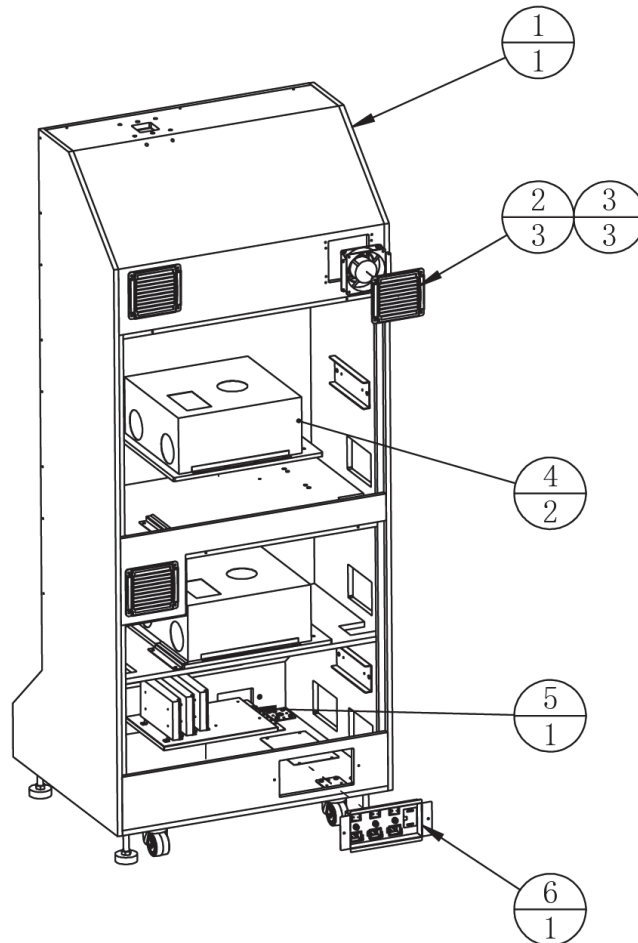
6.4.7 LCD Door Assembly



3		Lock	FM666	1	
2		locking plate	5cm(004号)	1	
1	APC-0207B01	Monitor Door	MDF-15.0T	1	
No.	Drawing No.	Name	Specification	Qty	Other

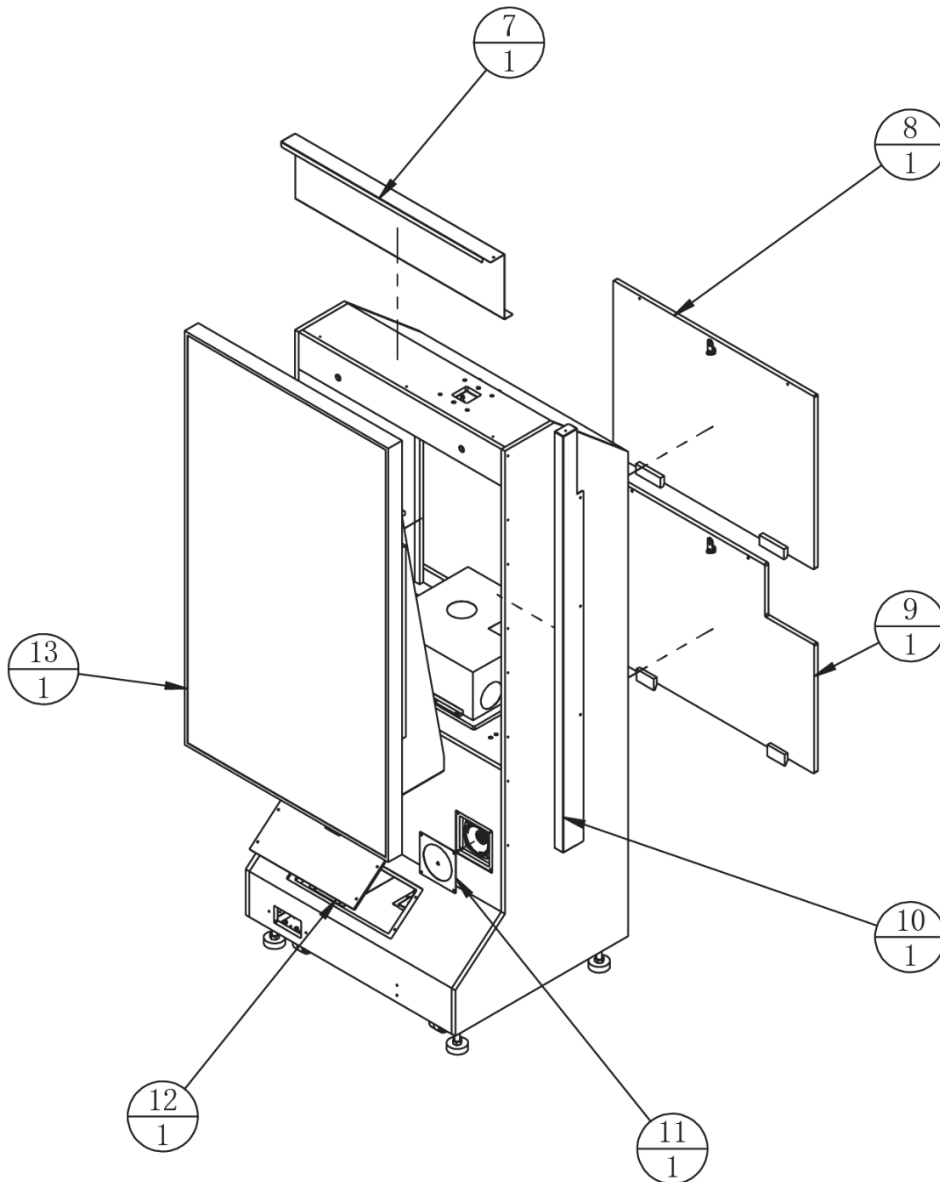
6.5 Right LCD Frame Assembly

6.5 Right LCD Frame Assembly (1 of 2)



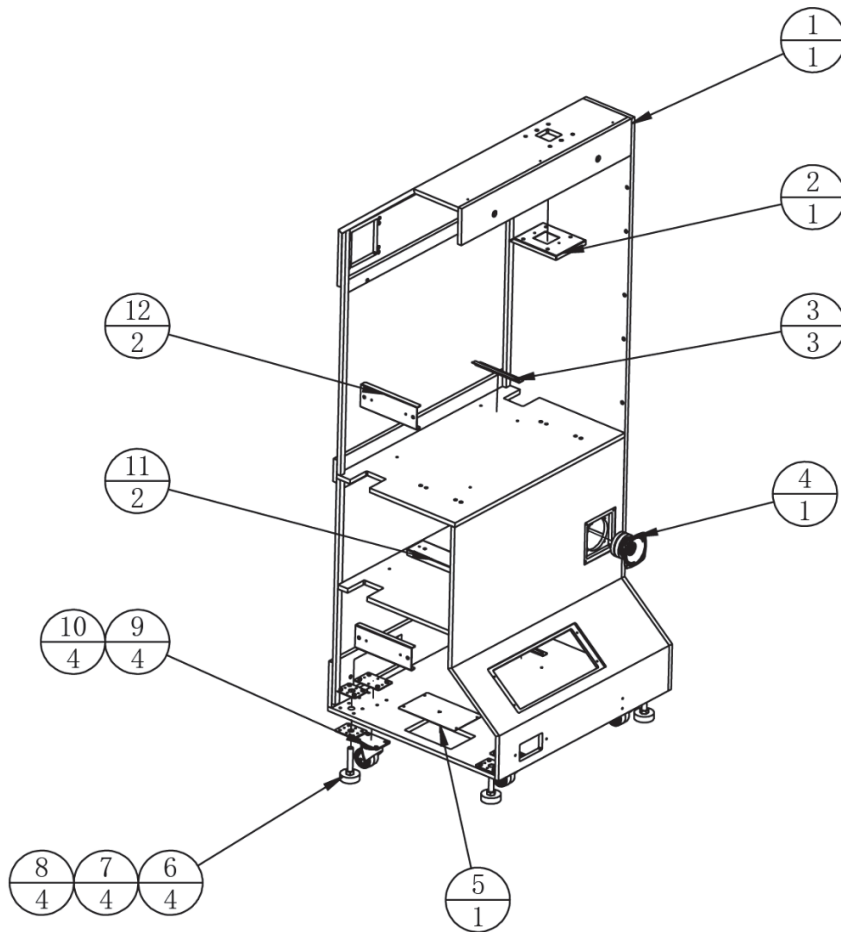
6	APC-0302000	Power Switch Assembly		1	
5	APC-0303000	Power Box Assembly		1	
4	APC-0204000	Mainframe Assembly		2	
3	ATC-0209000	Fan assembly		3	
2	TMW-0302G01	Plastic Ventilation Net	253-5460	3	
1	APC-0301000	Right Wooden Frame Assembly		1	
No.	Drawing No.	Name	Specification	Qty	Other

6.5 Right LCD Frame Assembly (2 of 2)



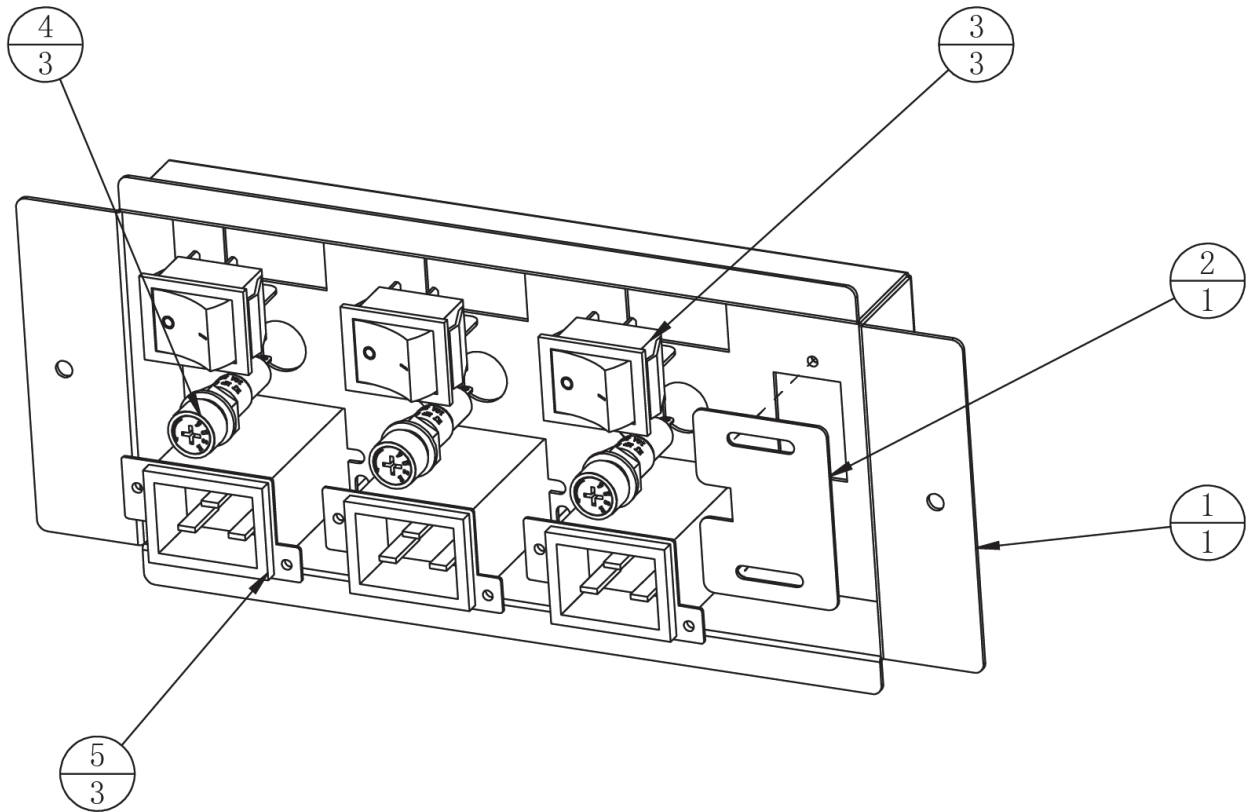
13	APC-0305000	Right LCD Assembly		1	
12	APC-0200B01	LCD lower cover	MDF-15.0T	1	
11	APC-0200A02	Speaker cover	SPCC-1.2T	1	
10	APC-0300A02	Right monitor side cover	SPCC-1.5T	1	
9	APC-0304000	Host Door Assembly		1	
8	APC-0207000	Liquid Crystal Door Assembly		1	
7	APC-0300A01	Right monitor back cover	SPCC-1.0T	1	
No.	Drawing No.	Name	Specification	Qty	Other

6.5.1 Right Wooden Frame Assembly



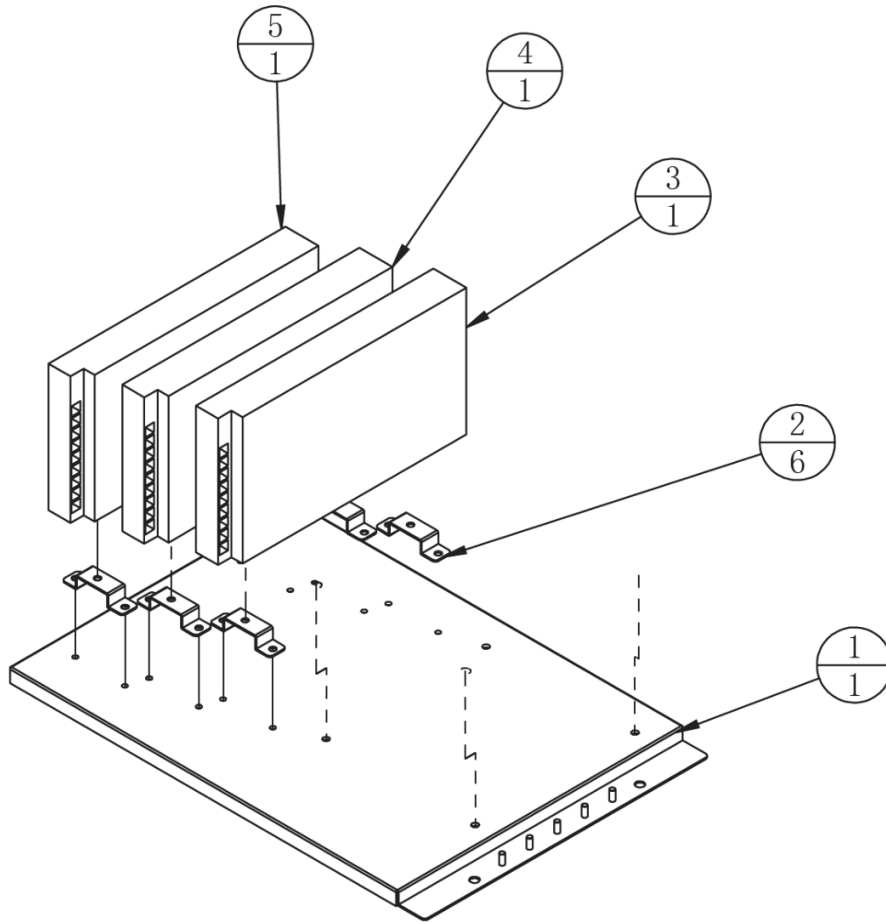
12	APC-0301A02	Frame reinforcement plate	SECC-2.0T	2	
11	APC-0201A02	Monitor reinforcement plate	SECC-2.0T	2	
10	ATV-0201A06	Caster fixing iron	SPCC-2.0T	4	
9	TMW-0101G01	Movable casters	2.5'	4	
8	ATV-0201A05	Ground screw fixing iron	SPCC-2.0T	4	
7	ATV-0201A07	Baseboard	SPCC-2.0T	4	
6	TMW-0102G03	Ground Screw (Rubber Bottom)	M16*100	4	
5	APC-0301A01	Ventilation net plate		1	
4	TMW-0401H09	Speaker	4' 8Ω Golden 60W	1	
3	APC-0201A01	Host Limit Plate	SECC-1.5T	3	
2	APC-0201A05	Light box reinforcement plate	SPCC-2.0T	1	
1	APC-0301B01	Right monitor frame		1	
No.	Drawing No.	Name	Specification	Qty	Other

6.5.2 Power Switch Assembly



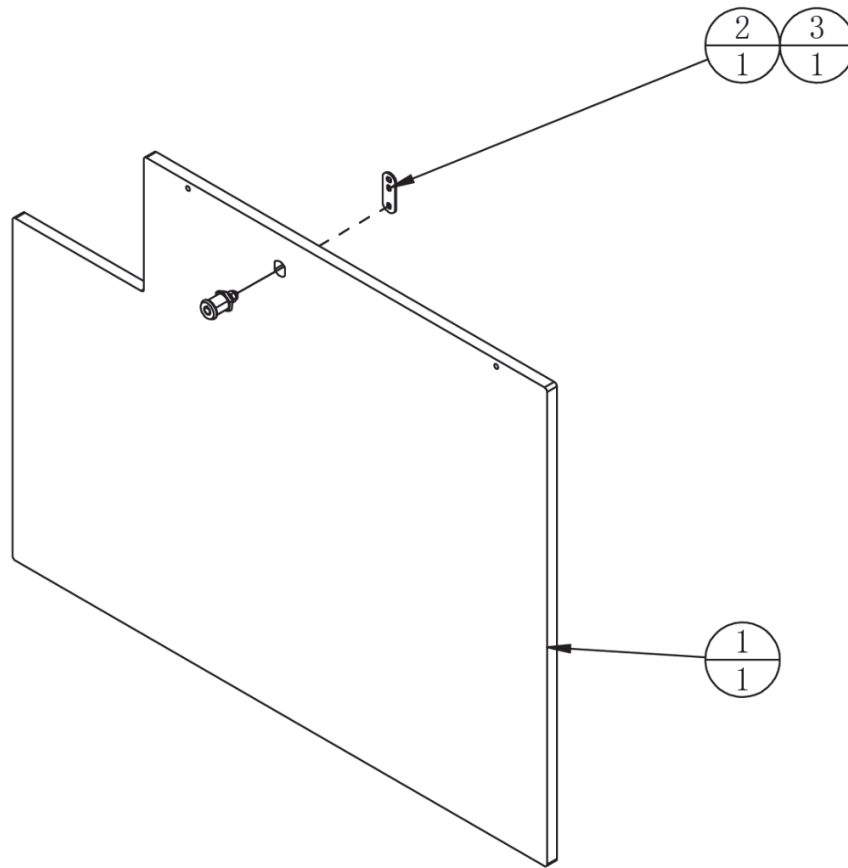
5	TMW-0105H03	Filter	MA03102200 20A/250V	3	
4	TMW-0104H01	Fuse Cartridge	MF527A (6*30)	3	
3	TMW-0103H02	Boat-shape Switch	SJ3-121-2-BK/BK-P2	3	
2	APC-0302A02	Cable cover	SPCC-1.0T	1	
1	APC-0302A01	AC power supply	SPCC-1.2T	1	
No.	Drawing No.	Name	Specification	Qty	Other

6.5.3 Power Box Assembly



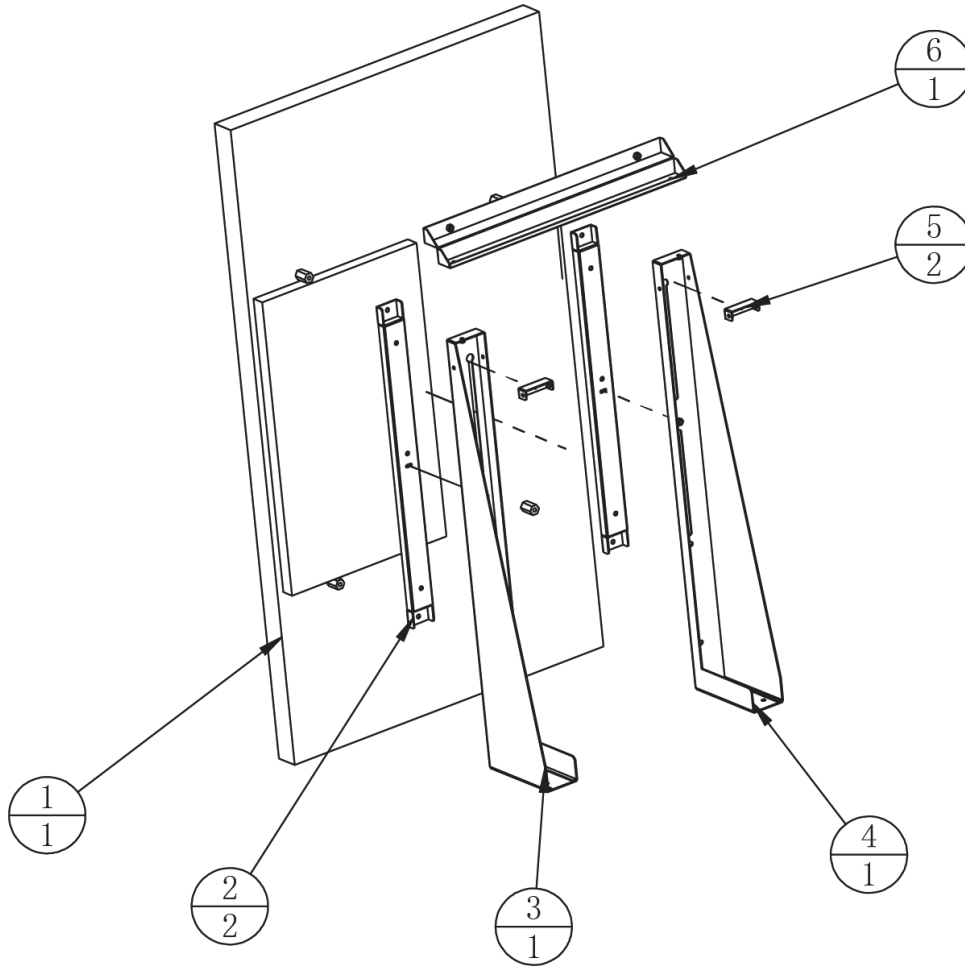
5	TMW-0102H04	Power Box	LRS-350-5	1	
4	TMW-0102H02	Power Box	LRS-350-24	1	
3	TMW-0102H01	Power Box	LRS-350-12	1	
2	APC-0303A02	Power supply fixing plate	SECC-1.2T	6	
1	APC-0303A01	Transformer fixing plate	SECC-1.2T	1	
No.	Drawing No.	Name	Specification	Qty	Other

6.5.4 PC Door Assembly



3		Lock	FM666	1	
2		locking plate	5cm(004号)	1	
1	APC-0304B01	Lower right door	MDF-15.0T	1	
No.	Drawing No.	Name	Specification	Qty	Other

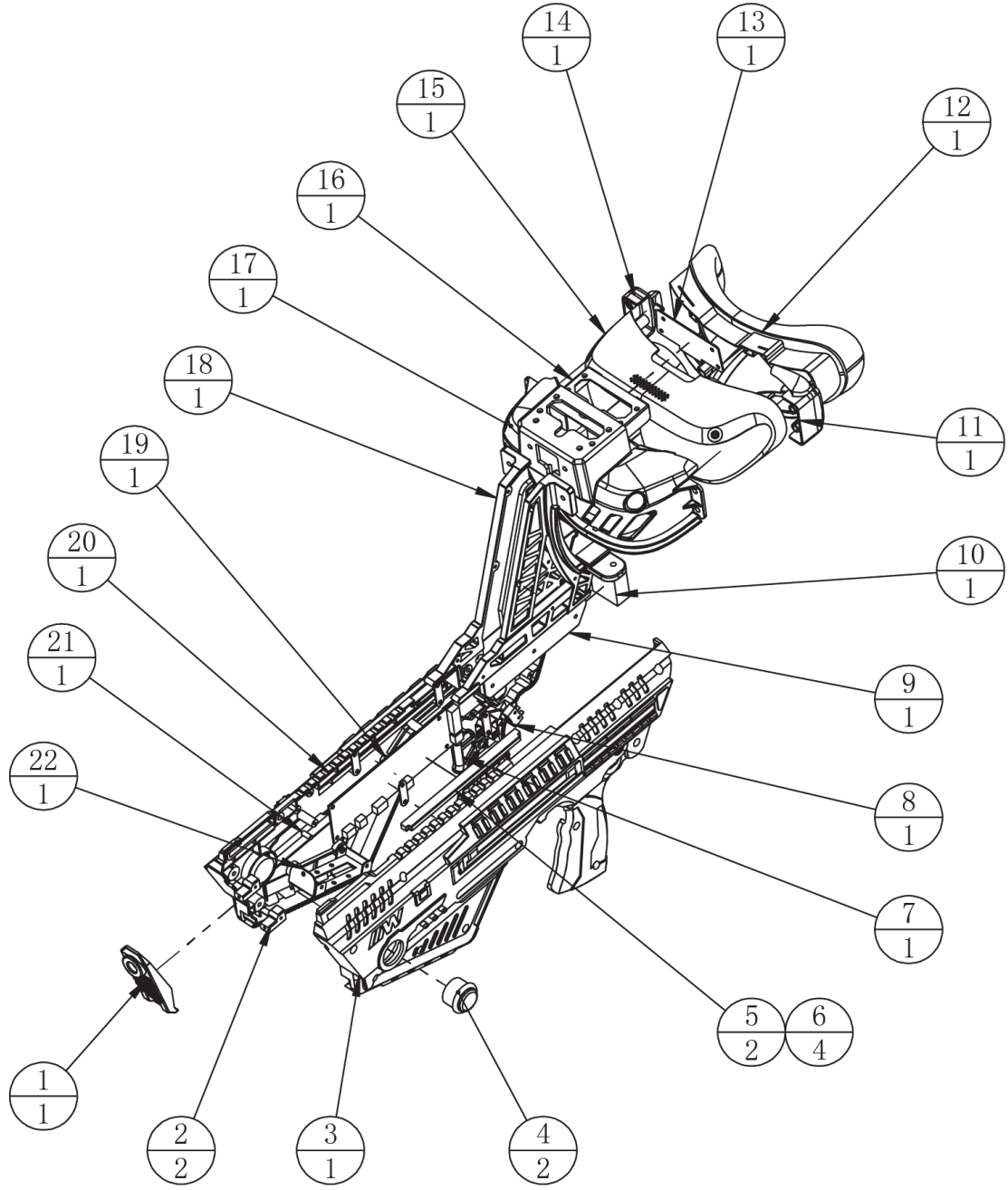
6.5.5 Right LCD Assembly



6	APC-0203A03	Monitor support plate	SPCC-1.5T	1	
5	APC-0203A05	Limit plate	SPCC-2.0T	2	
4	APC-0203A02	Monitor left fixing plate	SPCC-2.5T	1	
3	APC-0203A01	Monitor right fixing plate	SPCC-2.5T	1	
2	APC-0203A04	Monitor pad	SPCC-2.0T	2	
1	TMW-0201H11	Monitor-right side	65" LCD Ultra Narrow Bezel	1	
No.	Drawing No.	Name	Specification	Qty	Other

6.6 Controller Assembly

6.6 Console Assembly (Diagram)

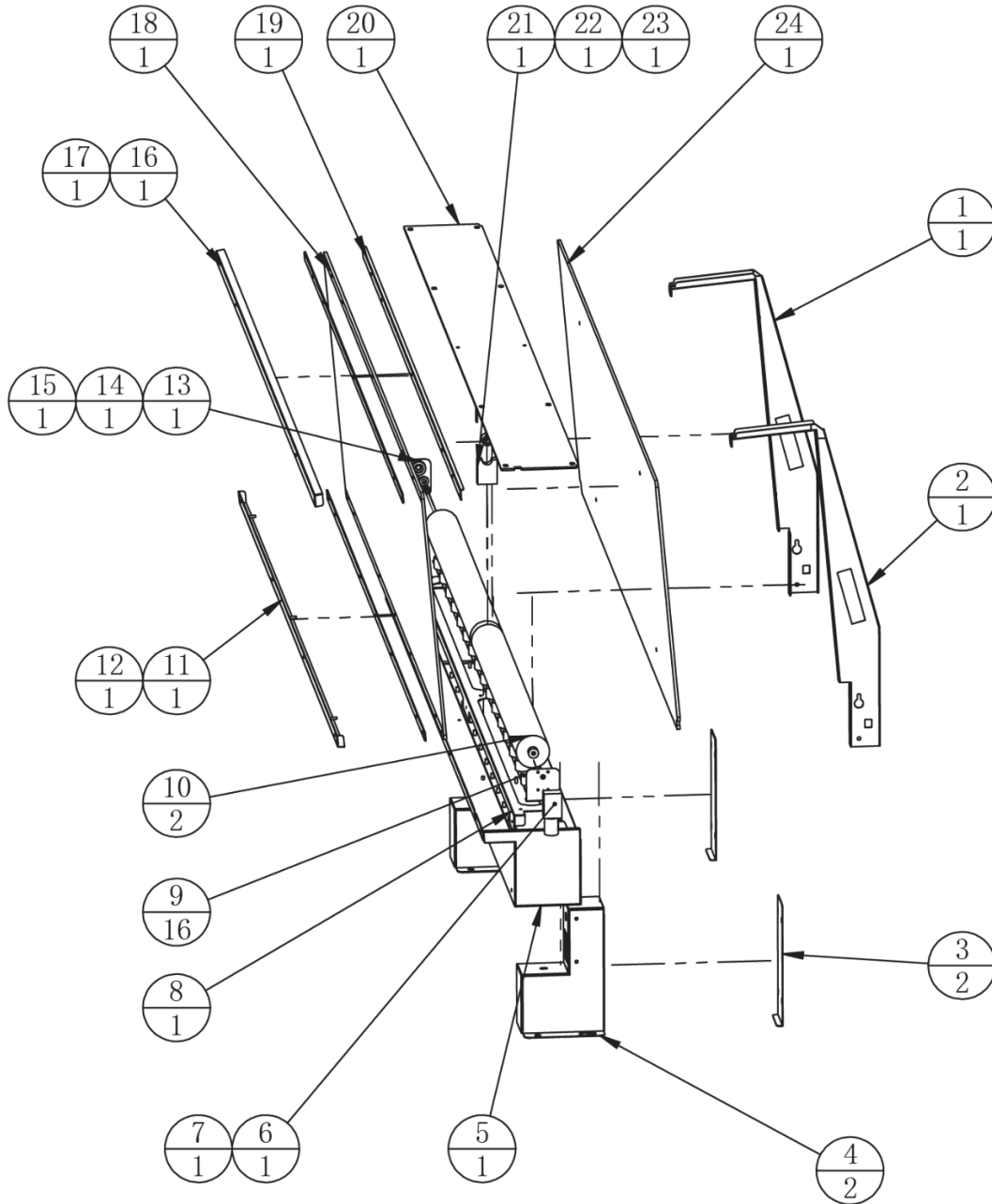


6.6 Console Assembly (Table)

22	APC-0400A01	Gun rack	SECC-1.0T	1	
21	APC-0400A06	Rope fixing bar	SUS304	1	
20	APC-0400C02	Controller cover right	ABS	1	
19	APC-0401F01	Controller Sub IO PCB	FM-B0-04-01-01H	1	
18	APC-0400C05	Right bracket	nylon	1	
17	APC-0400C07	Helmet shell	ABS	1	
16	APC-0400A05	Upper fixing plate	SECC-1.2T	1	
15	TMW-0210H14	VR Headset	DPVR E4	1	
14	APC-0400C08	Right limit	ABS	1	
13	APC-0400A02	Back cover	SPCC-1.0T	1	
12	TMW-0210H14-0	Mask of VR Headset	DPVR E4	1	
11	APC-0400C09	Left limit	ABS	1	
10	TMW-0401H11	Mini Speaker	MS83	1	
9	APC-0400C06	Right bracket	nylon	1	
8	TMW-0103H03	Microswitch	ss-01gl2-e	1	
7	APC-0400C01	Shoot trigger	ABS	1	
6	APC-0400A03	Lamp Fixing Tabs	SECC-1.0T	4	
5	APC-0400D01	Gun guide acrylic	PMMA-5.0T	2	
4	TMW-0301H15	Button	M4-24	2	
3	APC-0400C03	Controller cover left	ABS	1	
2	APC-0400A04	Sheath fixing block	AL	2	
1	APC-0400C04	Bumper block	PEB	1	
No.	Drawing No.	Name	Specification	Qty	Other

6.7 Light Box Assembly

6.7 Light Box Assembly (Diagram)



6.7 Light Box Assembly (Table)

24	APC-0500D02	Background acrylic	5.0T	1	
23	APC-0500A12	Limit plate	SECC-1.2T	1	
22	APC-0500A02	Coupling	Q235	1	
21	APC-0500A07	Support base	POM	1	
20	APC-0500D01	Light box guide acrylic	PMMA-3.0T	1	
19	APC-0500A15	Blackout board	SPCC-1.2T	1	
18	APC-0500D03	LOGO Board	PMMA-5.0T	1	
17	APC-0500D04	Upper panel	PVC-2.0T	1	
16	APC-0500A08	Upper cover plate	SPCC-1.2T	1	
15	APC-0500A05	Gearing pole	Q235	1	
14	TMW-0801G23	Gear	628/8-2Z	1	
13	APC-0500A06	Gearing seat		1	
12	APC-0500D05	Lower panel	PVC-2.0T	1	
11	APC-0500A09	Lower cover palte	SPCC-1.2T	1	
10	TMW-0601G16	Acrylic tube	77cm	2	
9	APC-8002H22	BrightLEDBoard	BrightLEDBoard	16	
8	APC-0500A03	Light bracket	SPCC-1.2T	1	
7	APC-0500A04	Motion plate	SPCC-1.5T	1	
6	TMW-0203H06	Geared motor	30 rpm 200 reduction ratio	1	
5	APC-0500A01	Light box		1	
4	APC-0500A10	Light box bracket		2	
3	APC-0500A11	Light box bracket cover	SPCC-1.2T	2	
2	APC-0500A13	Right back bracker	SPCC-1.5T	1	
1	APC-0500A14	Left back bracker	SPCC-1.5T	1	
No.	Drawing No.	Name	Specification	Qty	Other