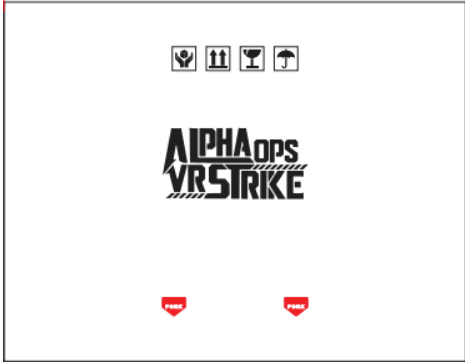

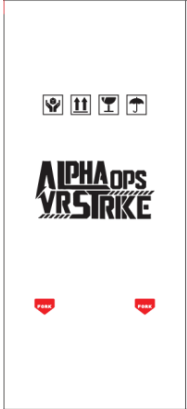



2.5 Unpacking Instruction

WARNING

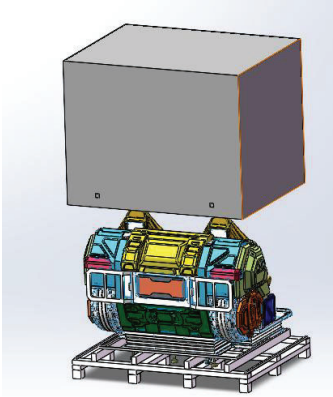
- For safety reasons, 3 people are required for the installation.

Each cabinet contains of 4 packages:

<p>1) Seat Frame package</p> 	<p>2) Monitor L Frame package</p> 
<p>3) Monitor R Frame package</p> 	<p>4) Light-box package</p> 

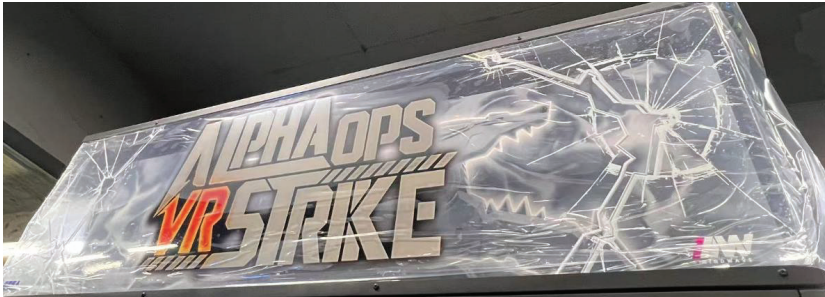
2.5.1 Steps of Unpacking [Seat Frame]

1. Remove the outer carton and cut the packing tape and remove the packing bag



2. Remove the up & back parts [8-items]

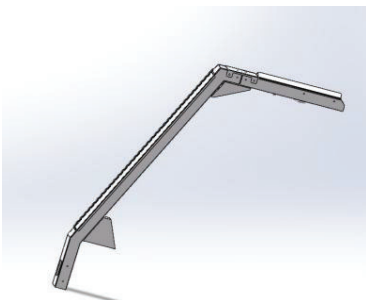
- 1) LOGO plate (1 set)



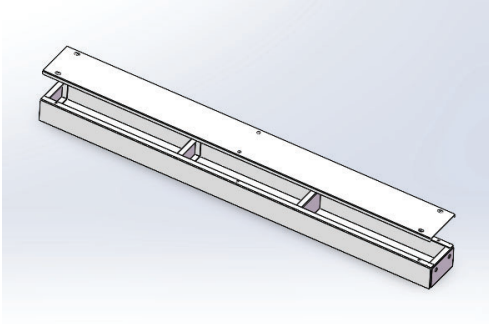
- 2) Background plate (1 set)



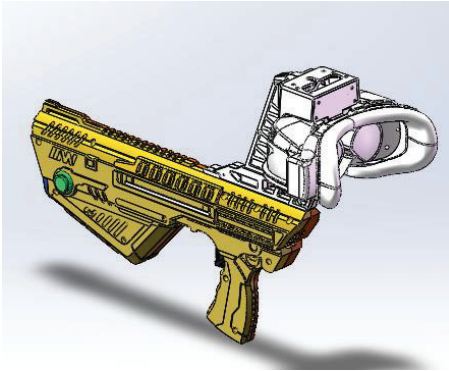
- 3) Left bracket & Right bracket (1 of each)



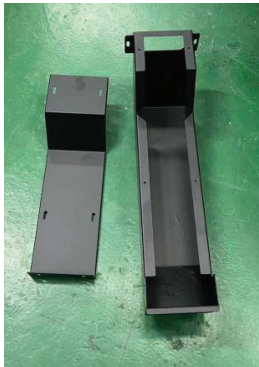
4) Upper bracket & cover (1 of each)



5) Gun ASSY (2 sets)



6) Crossing plate & cover (1 set)



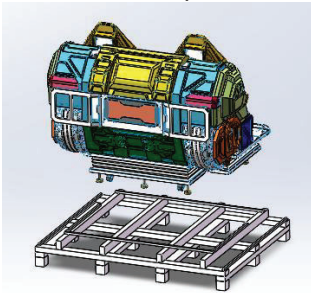
7) Positioner plate (2 sets)



8) Water tray assembly

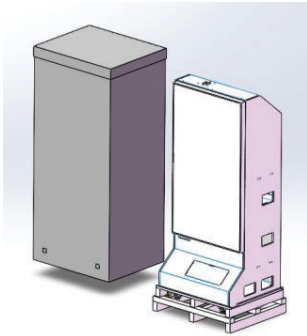


3. Remove seat section from pallet

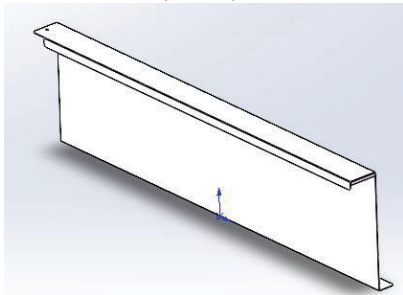


2.5.2 Steps of Unpacking [Monitor L Frame]

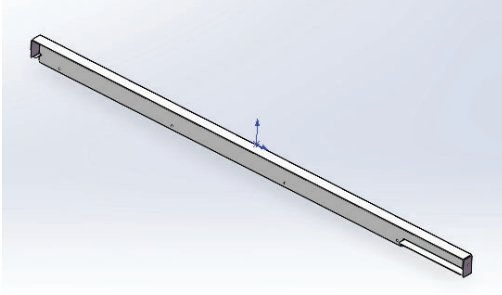
1. Remove the outer carton and cut the packing tape and remove the packing bag



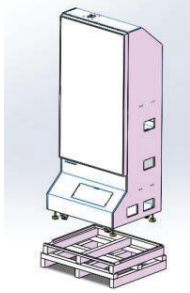
2. Remove the side & back parts
 - 2.1) Left LCD rear cover (1 set)



2.2) Left LCD side cover (1 set)

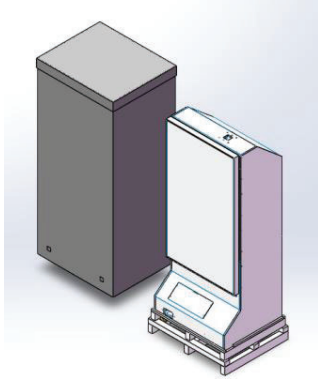


3. Remove seat section from pallet



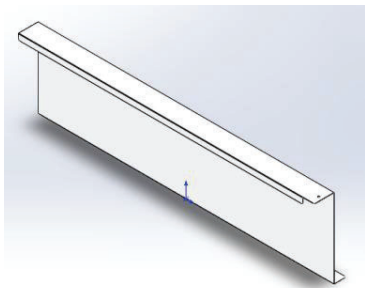
2.5.3 Steps of Unpacking [Monitor R Frame]

1. Remove the outer carton and cut the packing tape and remove the packing bag

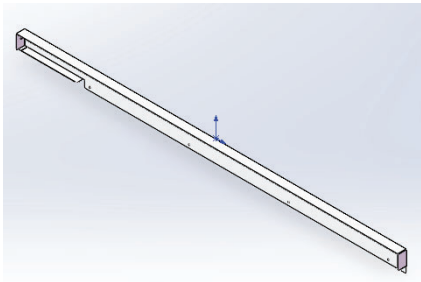


2. Remove the side & back parts [2-items]

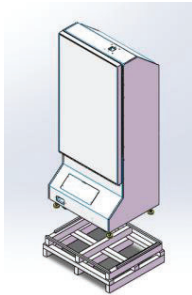
2.1) Right LCD rear cover (1 set)



2.2) Right LCD side cover (1 set)

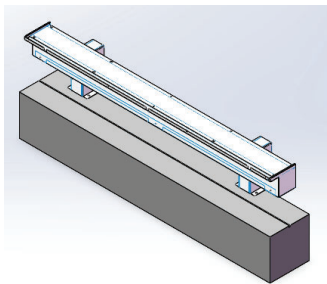


3. Remove seat section from pallet

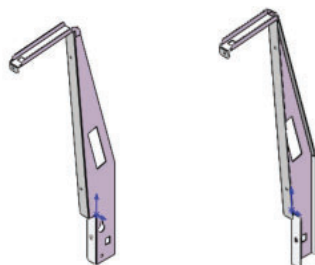


2.5.4 Steps of Unpacking [Light-box]

1. Remove the outer carton



2. Remove the parts
Right back bracket (1 set) & left back bracket (1 set)



2.6 Packing List

Please check the following items after purchasing our product. If any part is missing or damaged, please contact our salesperson.

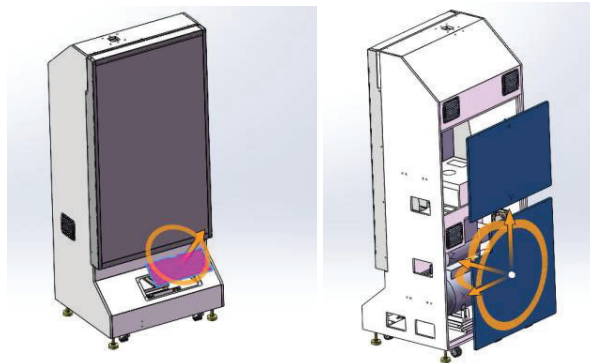
No.	Parts Name	Parts No.	Quantity
1	Fuse	TMW-0104H12 10A TMW-0104H13 20A	3
2	Key	Key	6
3	Power Cable	Power Cable (IEC C19 Type)	3
4	Hexagon socket head cap screw M4*16	SCR-303040161	20
5	Hexagon socket head cap screw M5*12	SCR-303050121	12
6	Hexagon socket set screw M6*20	SCR-202060201	10
7	Hexagon socket set screw M8*35	SCR-202080351	8
8	Hexagon socket set screw M8*45	SCR-202080451	4
9	Flat gasket M5*16*1 black	SCR-522051611	4
10	Hexagon socket head cap screw M5*20 BLACK	SCR-303050201	6
11	Black Tie Tape		2
12	Water Tray Assembly	APC-0206A02	1
13	Owner's Manual		1

2.7 Cabinet Assembly Instruction

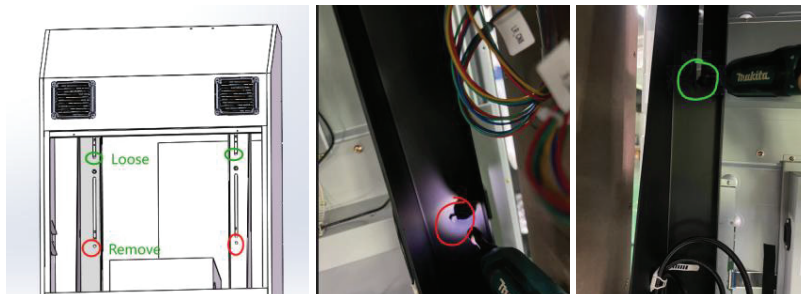
CAUTION

- Minimum of 3 persons for the assembly.

1. Remove all doors from the monitor (L&R) cabinet.



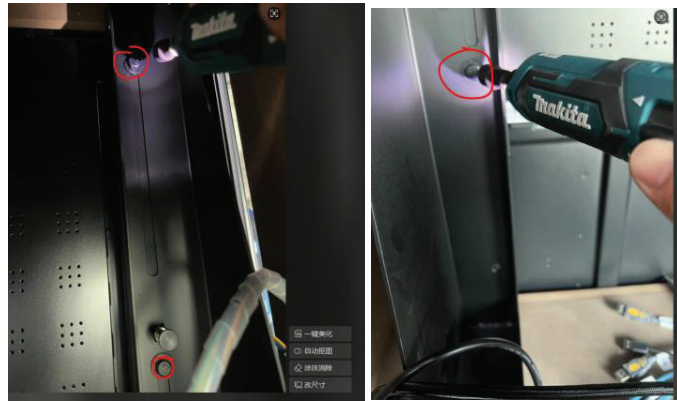
2. Remove the 2 screws fixed at the bottom of the monitor.
3. Loosen the two fixing screws on the upper part of the monitor



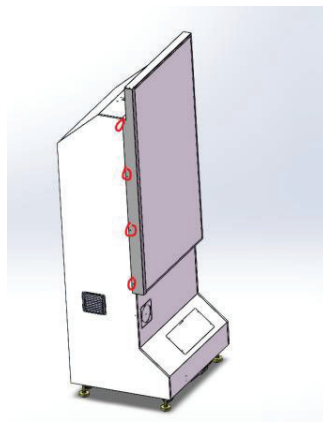
4. Gently lift the monitor until the spring locator bolt clicks into the limit axis.



5. Fix the four screws of the monitor.



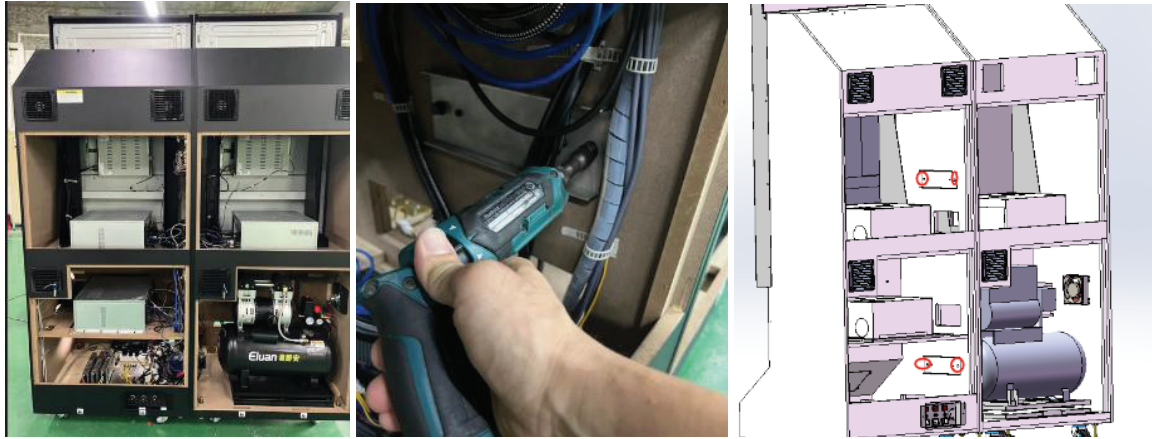
6. Fix the Left LCD side cover to the frame.



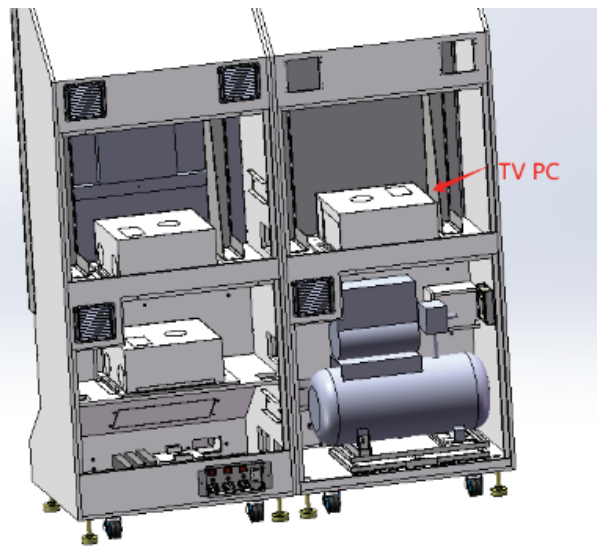
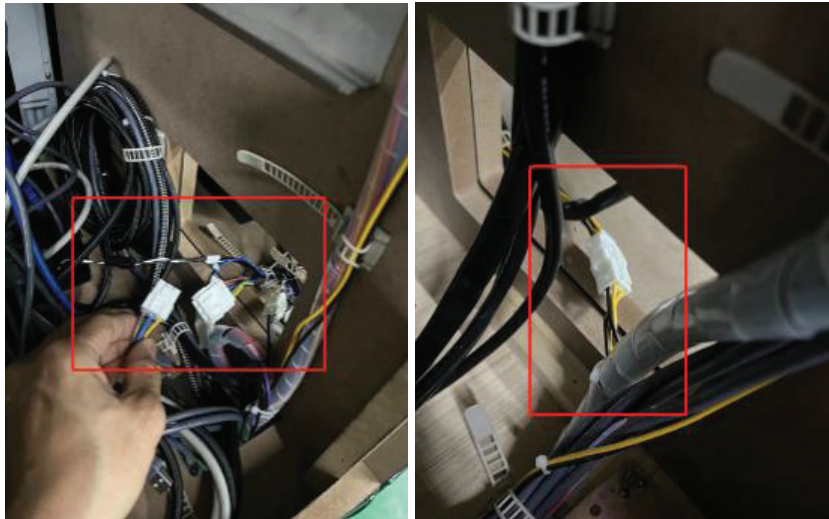
7. Repeat the process on the other Monitor cabinet.



8. Connect the L and R monitor frame together with 13mm Hex bolts.



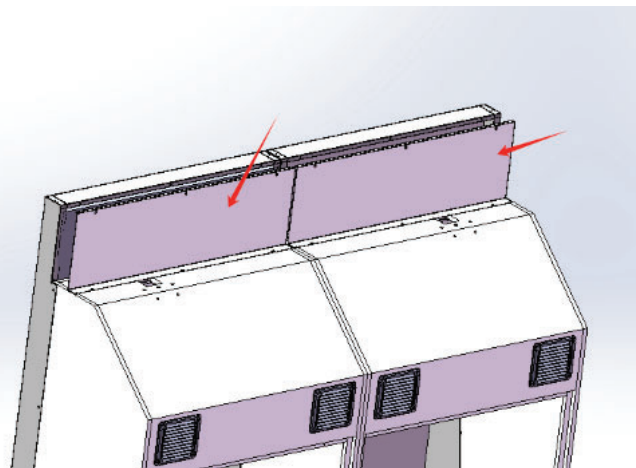
9. Connect all cables between the L&R monitor frame
(Lower power connections / Upper video and data connections from the left side to the TVPC area).



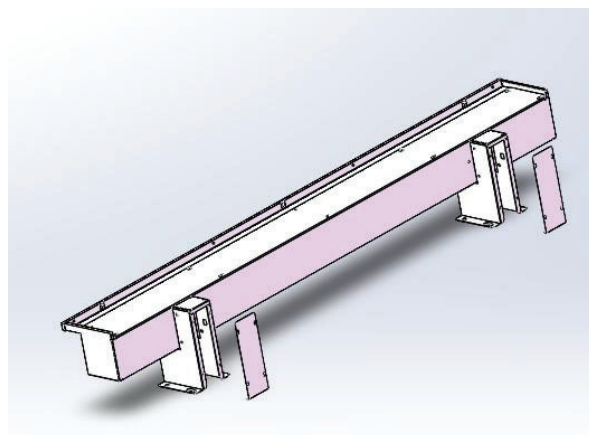
10. Connect the wires of the L and R monitor according to the labels.



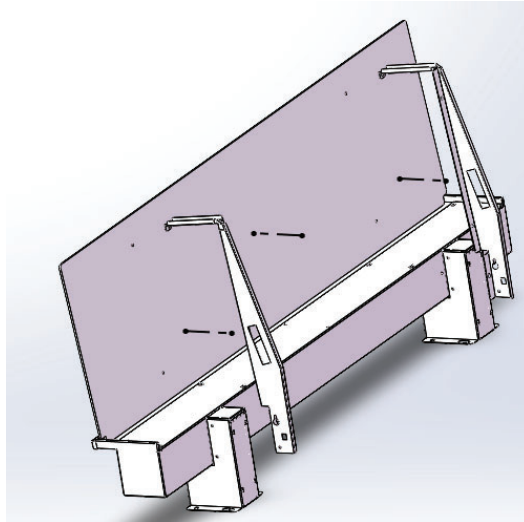
11. Fix the monitor upper back cover.



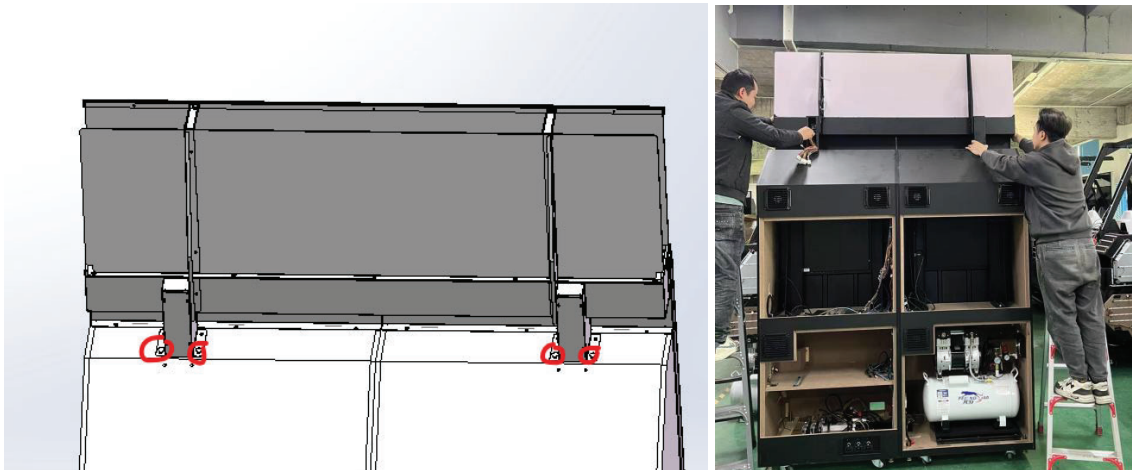
12. Remove the cover of light-box



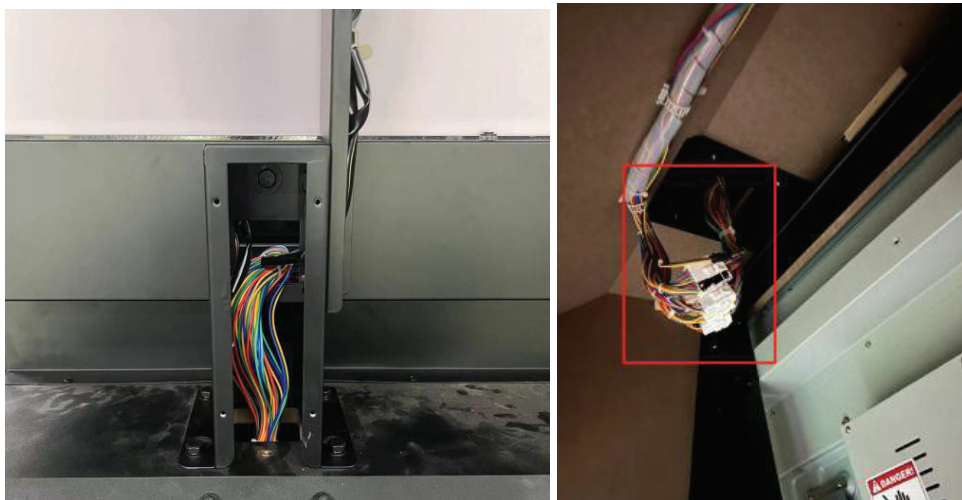
13. Fix the background to the lightbox and connect LED wire.



14. Hang the light box on the predetermined 4 screws and fix it to the monitor (L&R) frame.



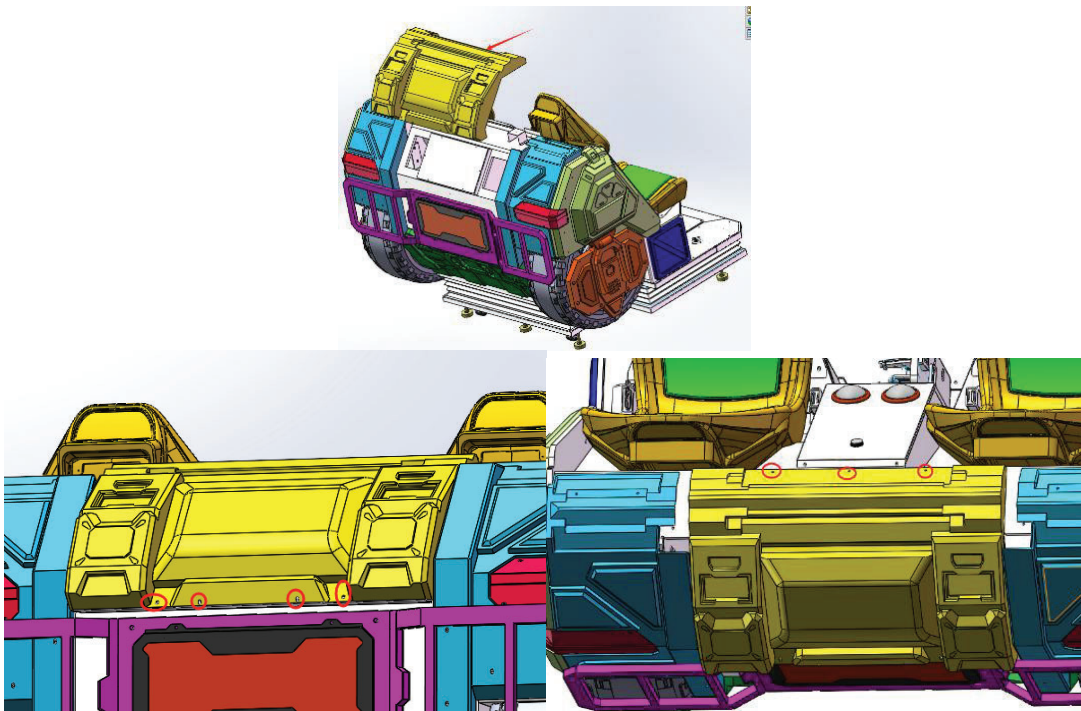
15. Connect the light box wires with the wires inside the monitor frame.



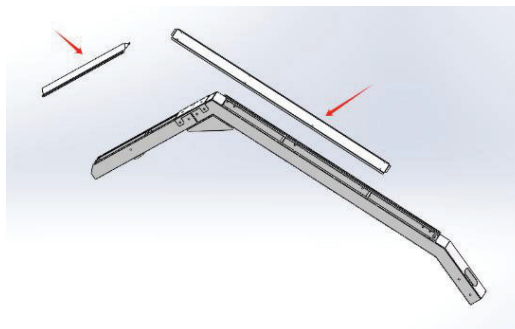
16. Fix the light box cable cover.



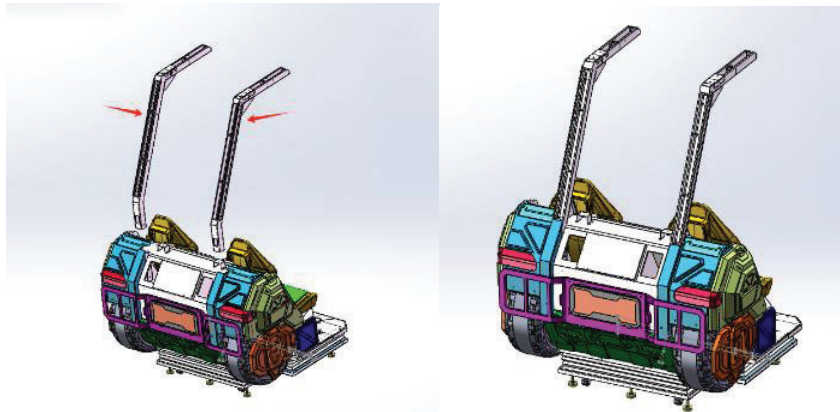
17. Remove the middle cover of the seat ASSY.



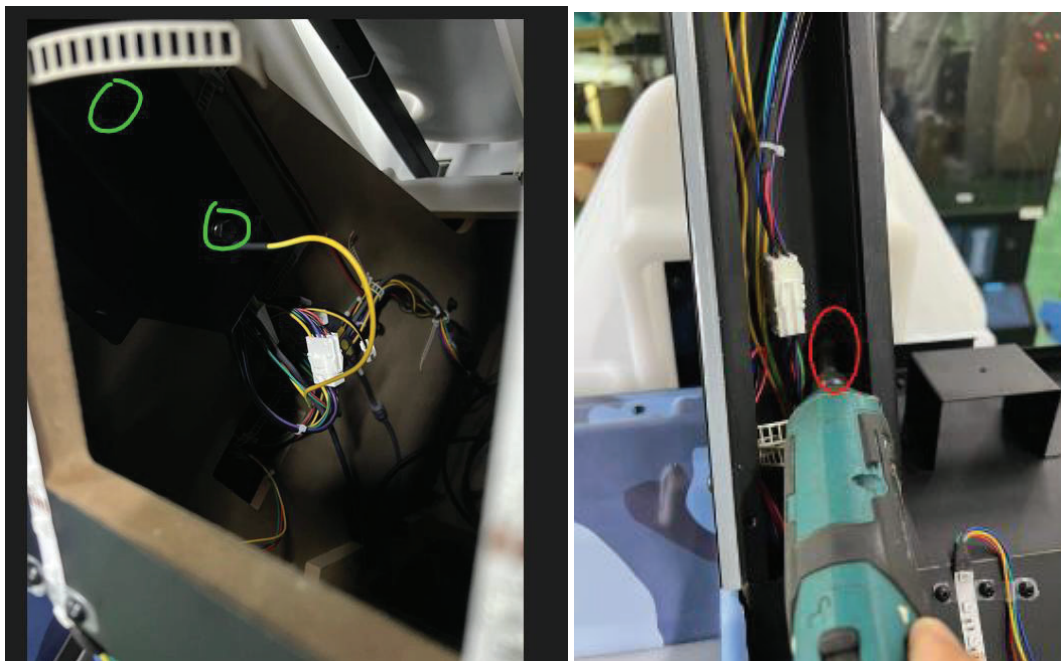
18. Remove the cover of beam (L&R).



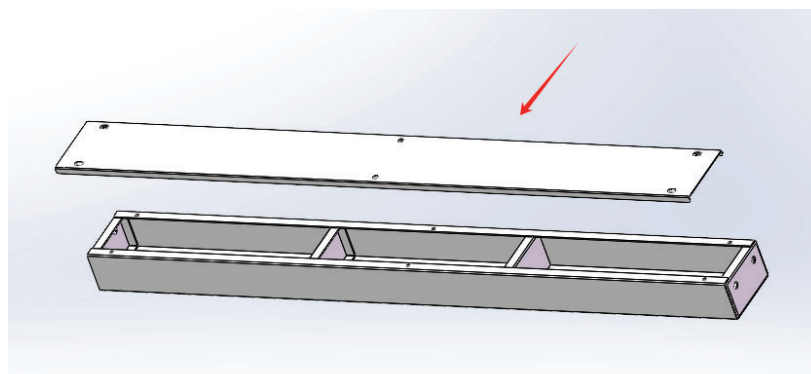
19. Insert the L & R beam into the seat ASSY.
Pay attention to the cables as you feed them through.



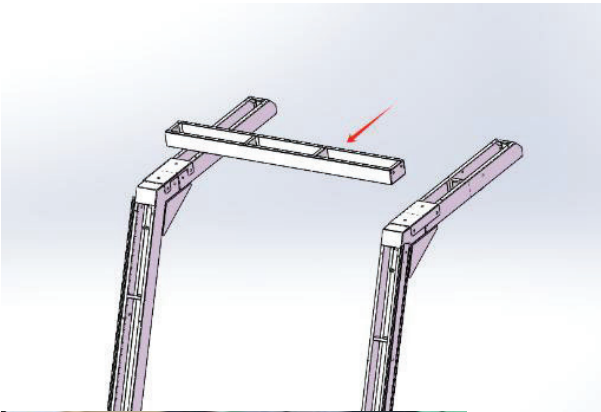
20. Secure the overhead beam to the seat ASSY (3x 10mm bolts per beam).



21. Remove the cover of support plate.



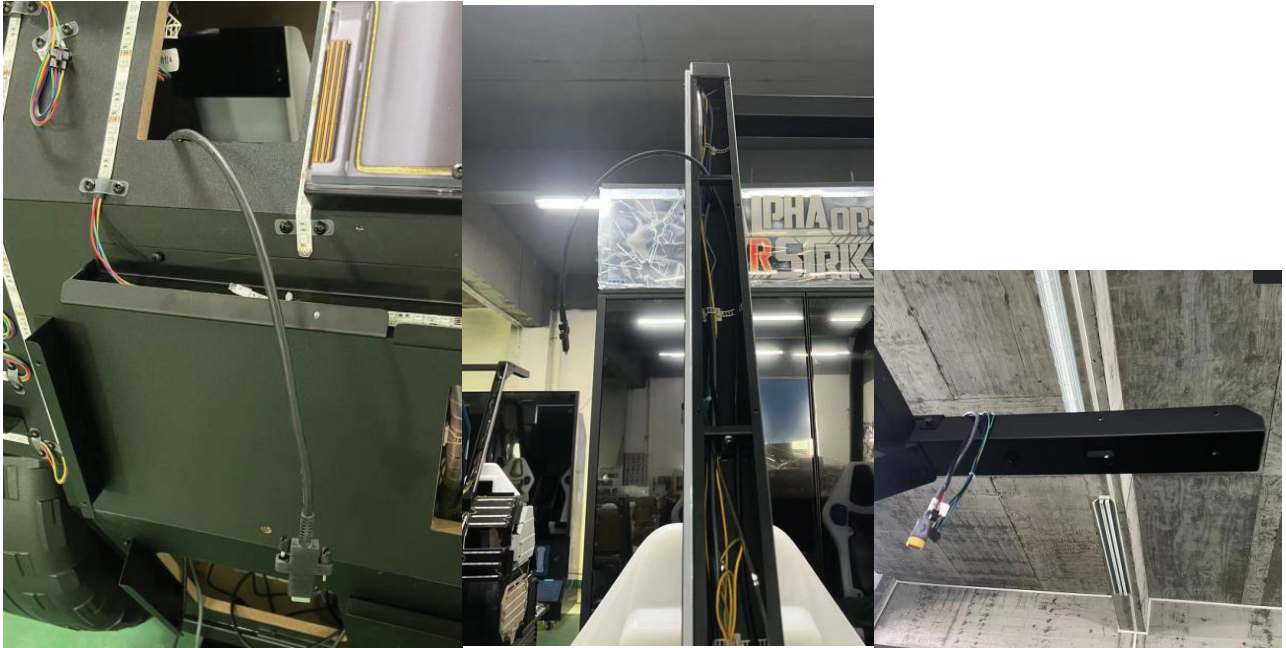
22. Fix the support plate to the beam (L&R).



23. Connect the cables between the beam and seat ASSY.



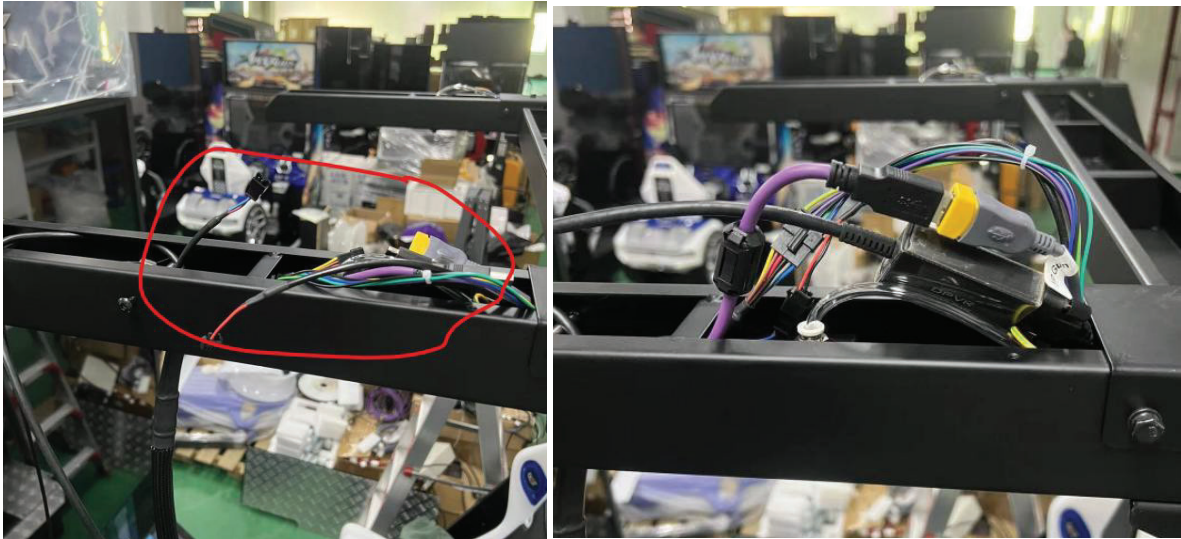
24. Feed the HMD cable through the beam and exit through the outlet hole.



25. Fix the steel cable of gun ASSY to the beam.



26. Connect the gun assembly cables.



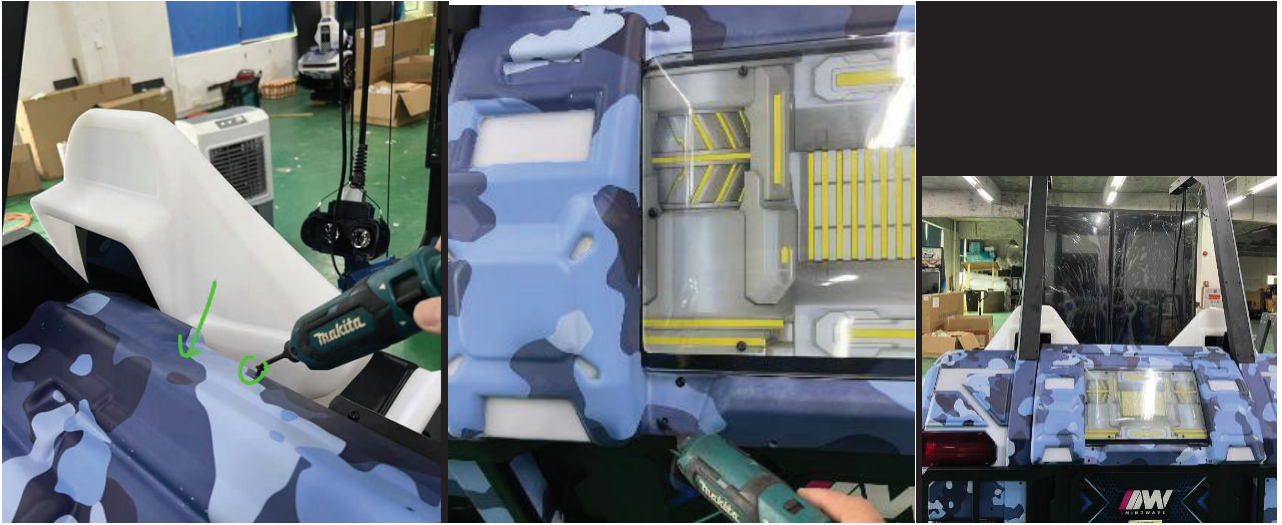
27. Fix the harness protector to the beam.



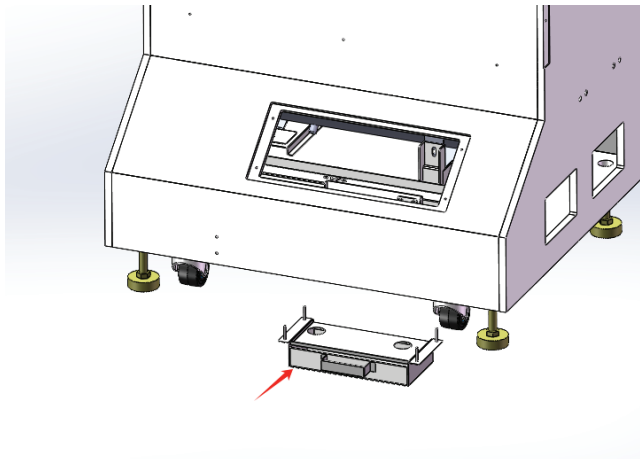
28. Install the beam cover plates.



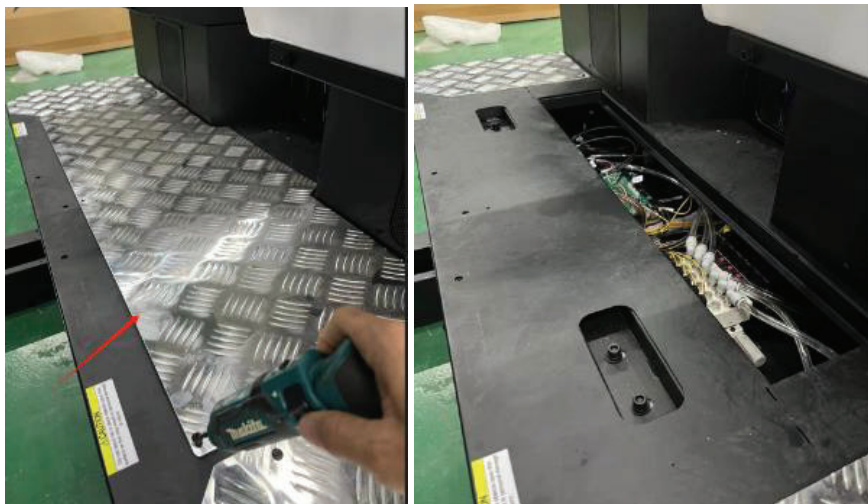
29. Reinstall the center seat cover.



30. Fix the water tray assembly on monitor L frame.



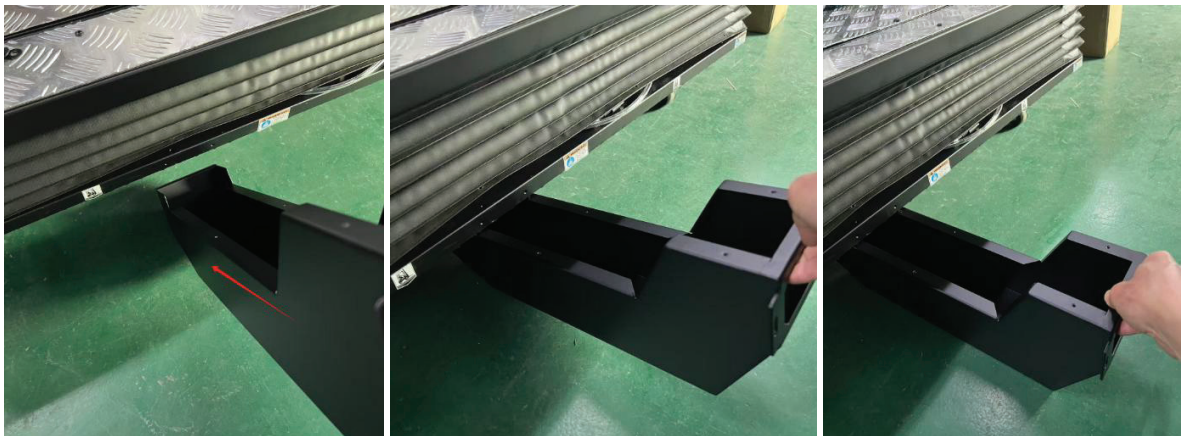
31. Remove the floor plate from the seat assembly.



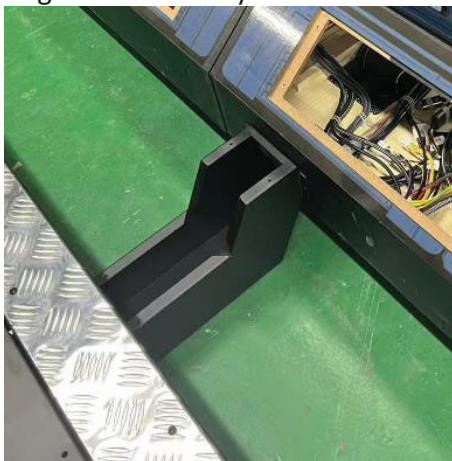
32. Remove the screws from the motion skirt and drop the skirt.



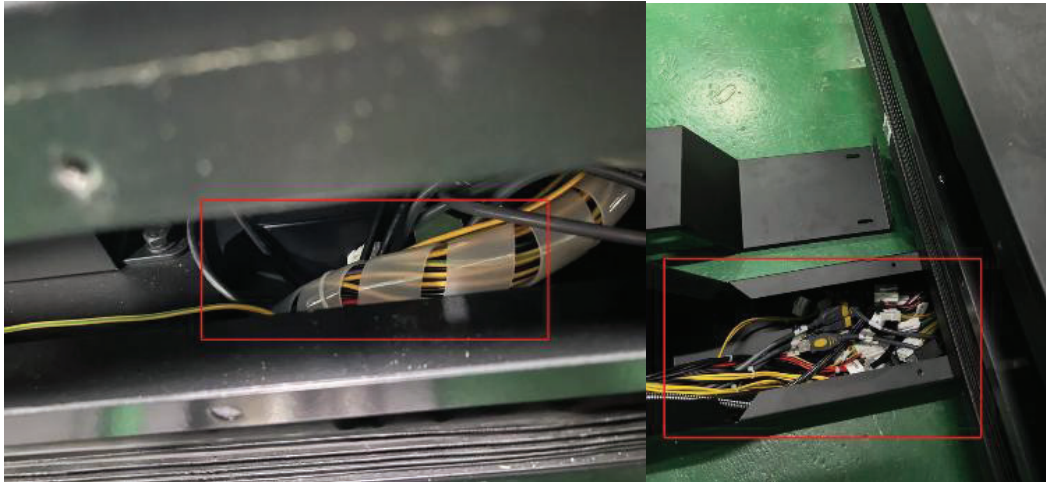
33. Insert the cable tray diagonally into the bottom of the motion platform in the position.



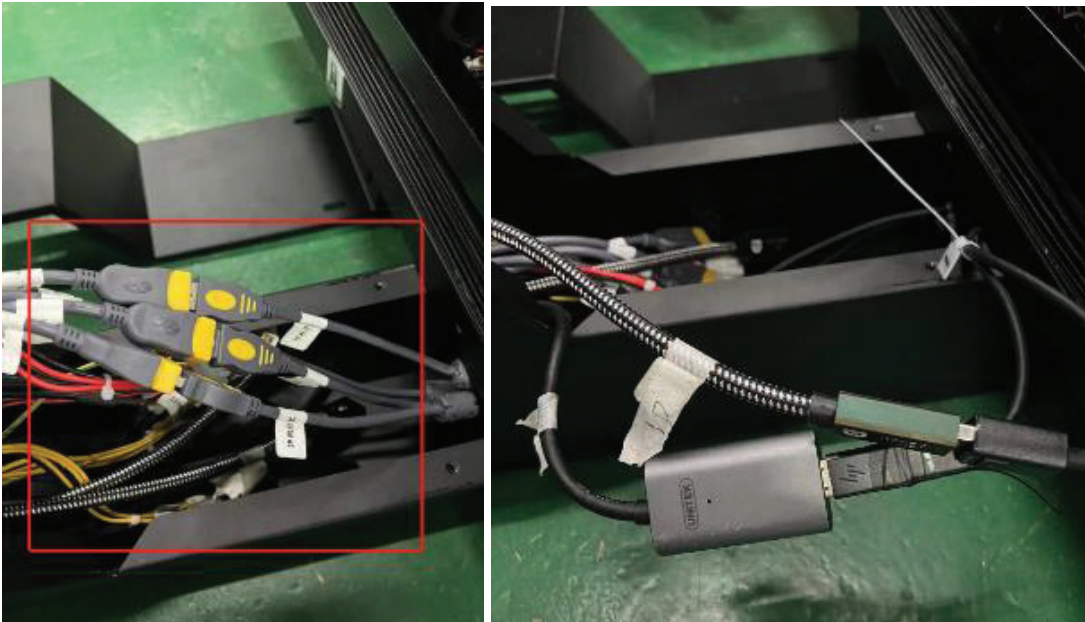
34. Align the cable tray with the wire hole of the monitor frame.



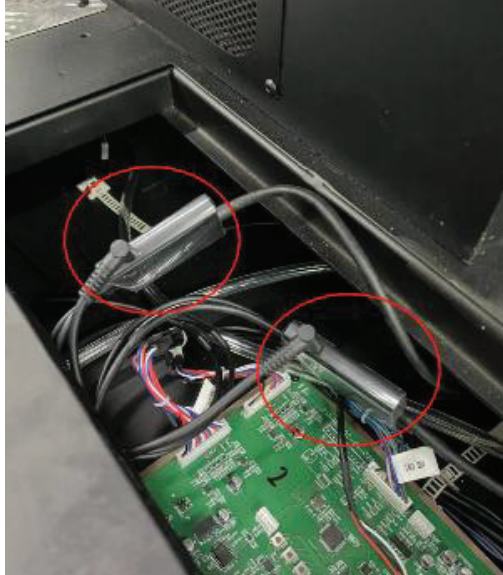
35. Feed the wires through the bottom of the seat ASSY to the cable tray.



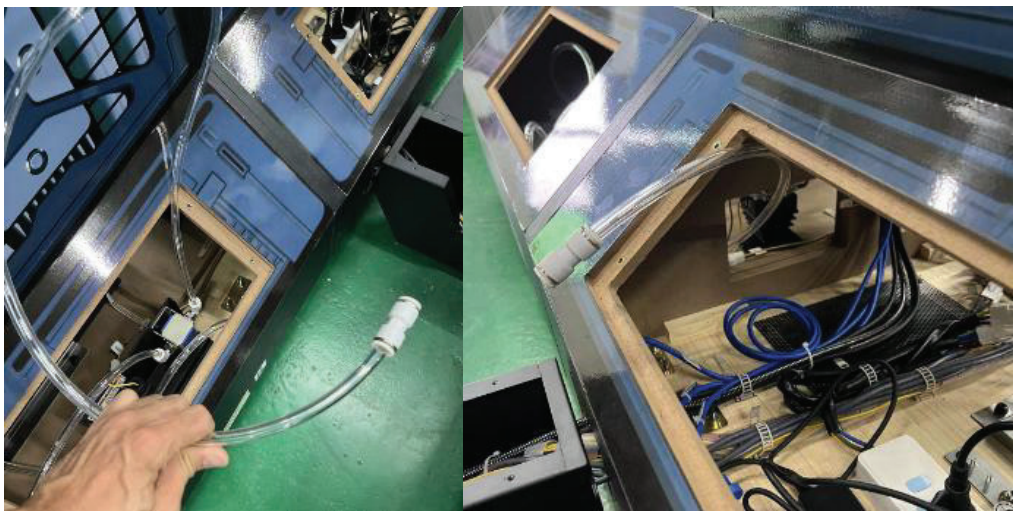
36. Connect the wires between the seat ASSY and monitor R frame (Take note of labels).



37. Feed the HMD power cord into the seat ASSY and connect it to HMD.



38. Feed the air tube through the cable tray and connect it to the seat ASSY air tube.

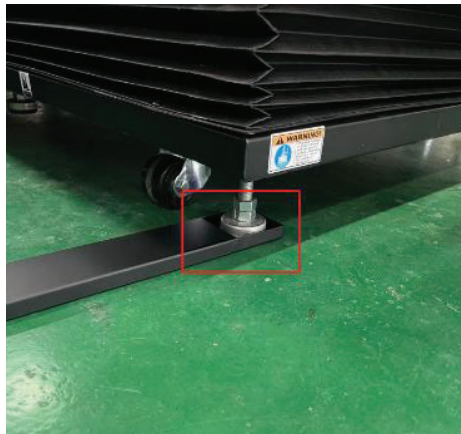


39. Install the width limiting plate onto the monitor frame.

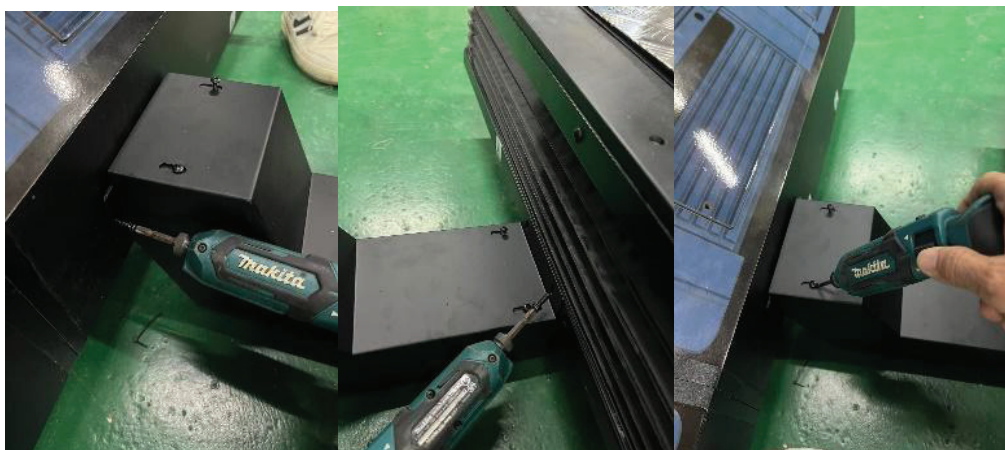


40. Wind the leg levelers down so the wheels are raised from the floor.

41. Using a lift device, lift the seat assembly leg leveler onto the limiting plate.



42. Secure the cable tray to the monitor cabinet and install the cover.



43. Refit all cover plates and doors.