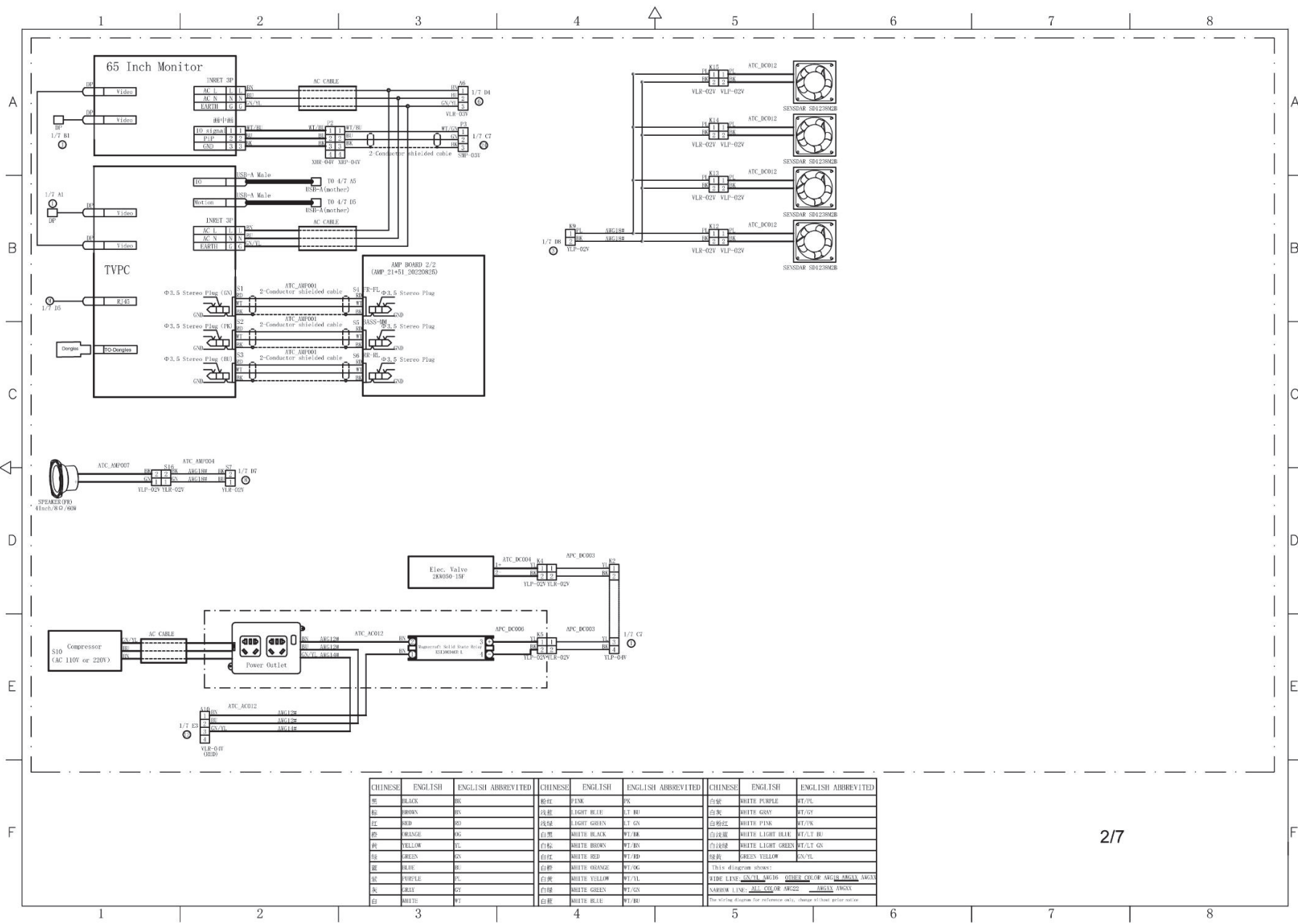
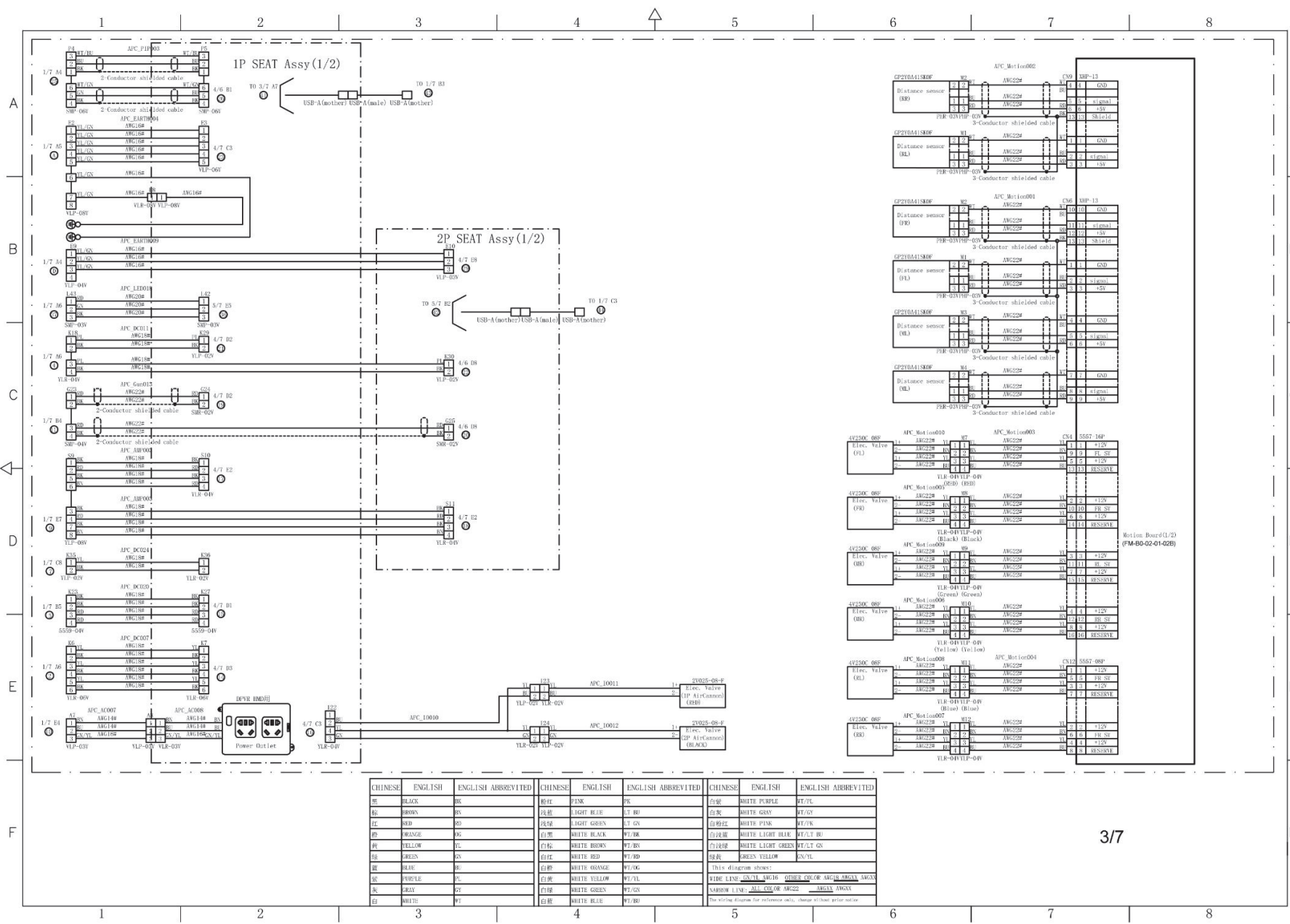


CHINESE	ENGLISH	ENGLISH ABBREVIATED	CHINESE	ENGLISH	ENGLISH ABBREVIATED	CHINESE	ENGLISH	ENGLISH ABBREVIATED
黑	BLACK	BLK	粉红	PINK	PK	白紫	WHITE PURPLE	WT/PC
棕	BROWN	BN	浅蓝	LIGHT BLUE	LT BU	白灰	WHITE GRAY	WT/GY
红	RED	RD	浅绿	LIGHT GREEN	LT GN	白粉	WHITE PINK	WT/PK
橙	ORANGE	OR	白黑	WHITE BLACK	WT/BK	白浅蓝	WHITE LIGHT BLUE	WT/LT BU
黄	YELLOW	YL	白棕	WHITE BROWN	WT/BR	白浅绿	WHITE LIGHT GREEN	WT/LT GN
绿	GREEN	GN	白红	WHITE RED	WT/BD	绿黄	GREEN YELLOW	GN/YL
蓝	BLUE	BLU	白橙	WHITE ORANGE	WT/OC	This diagram shows WIRE LINE COLOR AND OTHER COLOR AWG/REG3, REG2, SANDWICH LANE, ALL COLOR AWG22, AWG24, AWG26.		
白	WHITE	WT	白黄	WHITE YELLOW	WT/YL			
			白绿	WHITE GREEN	WT/GN			
			白	WHITE	WT			
			白蓝	WHITE BLUE	WT/BLU			

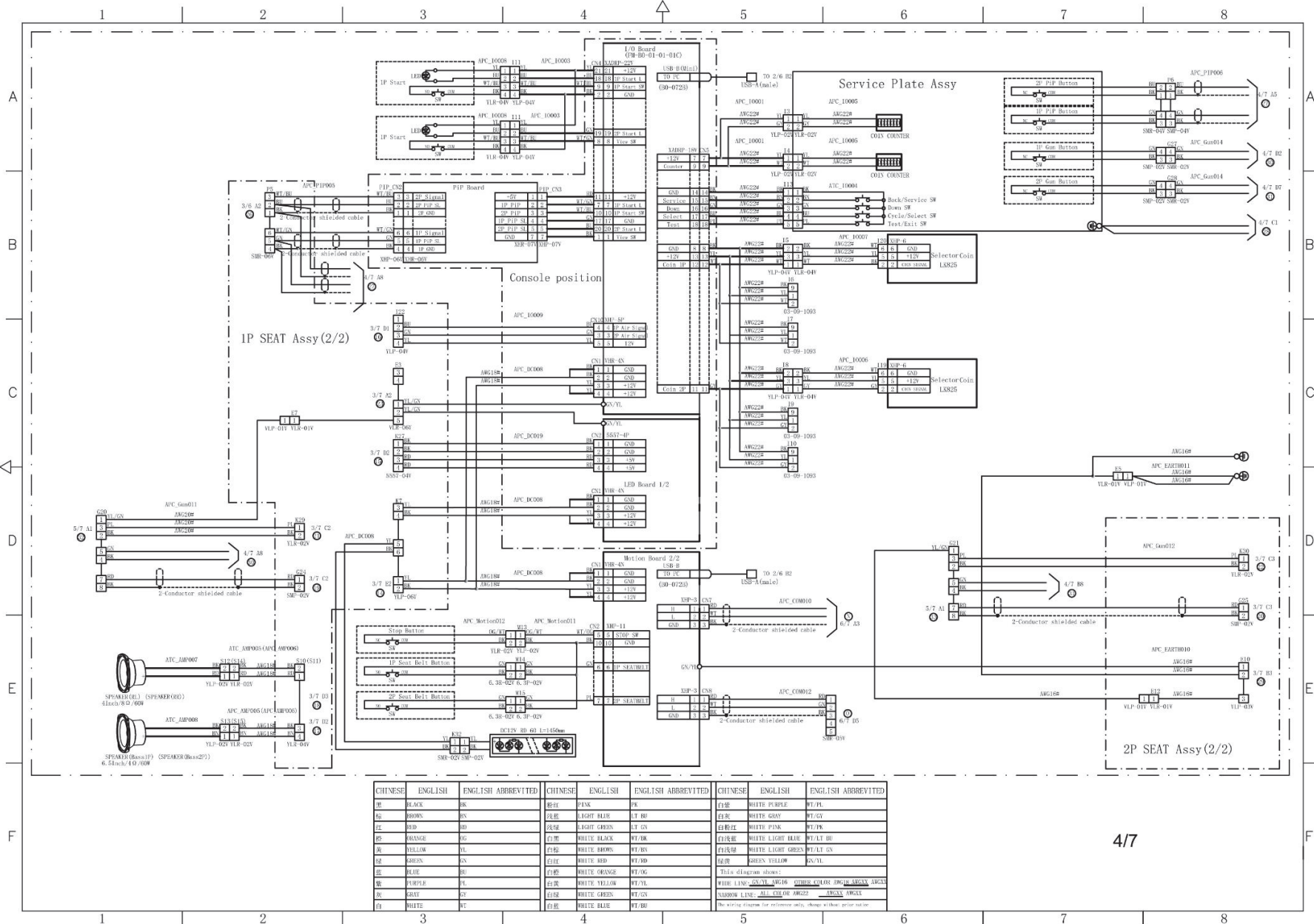
No. 14748 (Diagram for reference only). Chinese is the primary color code.



CHINESE	ENGLISH	ENGLISH ABBREVIATED	CHINESE	ENGLISH	ENGLISH ABBREVIATED	CHINESE	ENGLISH	ENGLISH ABBREVIATED
黑	BLACK	BL	粉红	PINK	PK	白紫	WHITE PURPLE	WT/PL
棕	BROWN	BR	浅蓝	LIGHT BLUE	LT BU	白灰	WHITE GRAY	WT/GY
红	RED	RD	浅绿	LIGHT GREEN	LT GN	白粉	WHITE PINK	WT/PK
橙	ORANGE	OR	白黑	WHITE BLACK	WT/BL	白浅蓝	WHITE LIGHT BLUE	WT/LT BU
黄	YELLOW	YL	白棕	WHITE BROWN	WT/BR	白浅绿	WHITE LIGHT GREEN	WT/LT GN
绿	GREEN	GN	白红	WHITE RED	WT/RD	绿黄	GREEN YELLOW	GN/YL
蓝	BLUE	BL	白橙	WHITE ORANGE	WT/OR	This diagram shows:		
白	WHITE	W	白黄	WHITE YELLOW	WT/YL	WIRE LAMP (SICAL) WITH OTHER COLOURS: APC18, APC23, APC24		
灰	GRAY	GR	白绿	WHITE GREEN	WT/GN	NARROW LINE: ALL COLOURS: APC22, APC23, APC24		
白	WHITE	WT	白蓝	WHITE BLUE	WT/BL	The wiring diagram for reference only, please follow the actual.		

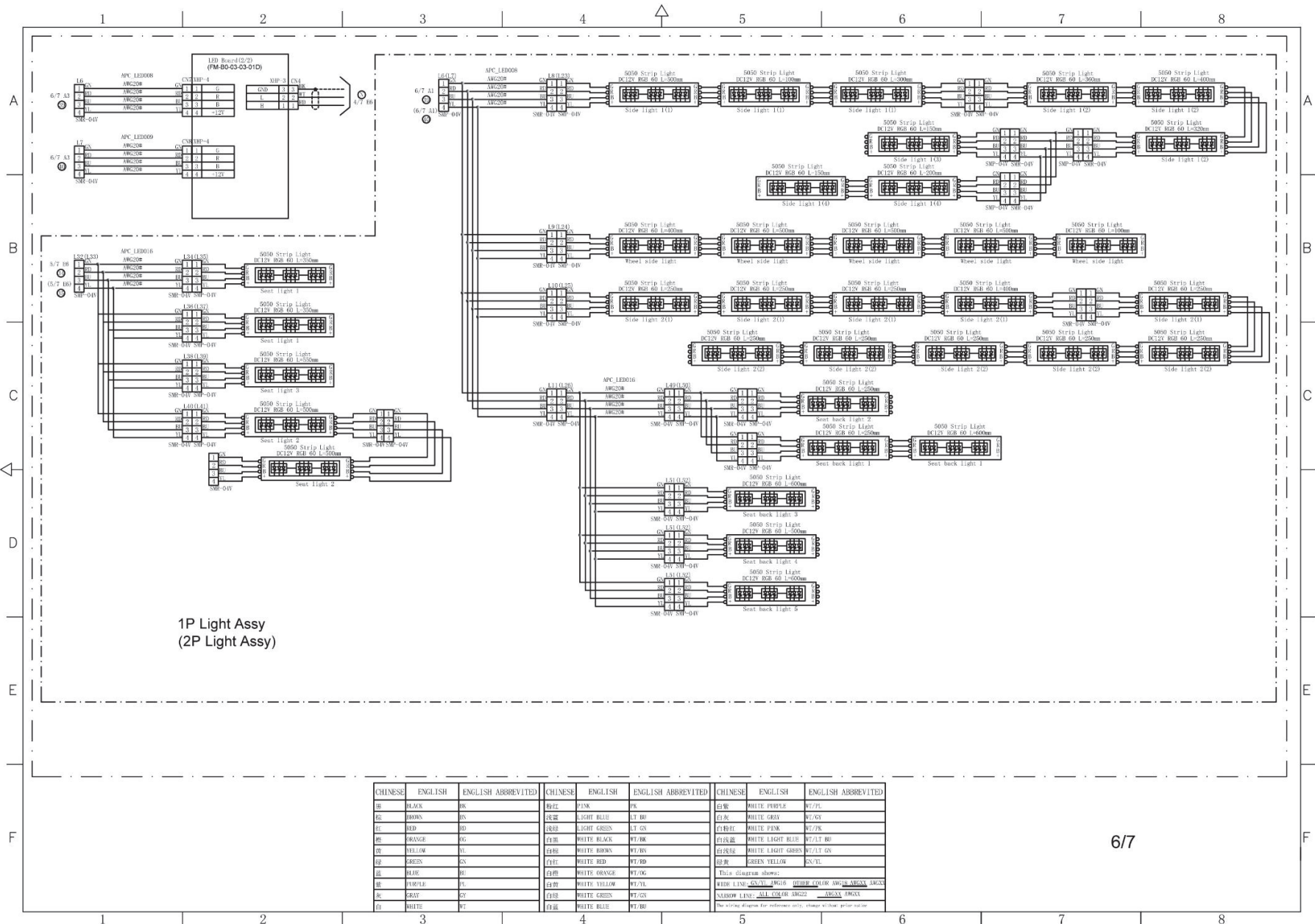


CHINESE	ENGLISH	ENGLISH ABBREVIATED	CHINESE	ENGLISH	ENGLISH ABBREVIATED	CHINESE	ENGLISH	ENGLISH ABBREVIATED
黑	BLACK	BL	粉	PINK	PK	白紫	WHITE PURPLE	WT/PL
棕	BROWN	BS	浅蓝	LIGHT BLUE	LT BU	白灰	WHITE GRAY	WT/GY
红	RED	RD	浅绿	LIGHT GREEN	LT GN	白粉	WHITE PINK	WT/PK
橙	ORANGE	OR	白黑	WHITE BLACK	WT/BK	白浅蓝	WHITE LIGHT BLUE	WT/LT BU
黄	YELLOW	YL	白棕	WHITE BROWN	WT/BR	白浅绿	WHITE LIGHT GREEN	WT/LT GN
绿	GREEN	GN	白红	WHITE RED	WT/RO	绿黄	GREEN YELLOW	GN/YL
蓝	BLUE	BL	白橙	WHITE ORANGE	WT/OR	This diagram shows:		
灰	GRAY	GR	白黄	WHITE YELLOW	WT/YL	Wiring for 30-pin USB		
紫	PURPLE	PL	白绿	WHITE GREEN	WT/GN	OTHER CABLES: APC10, APC11, APC12		
米	BEIGE	BI	白绿	WHITE GREEN	WT/GN	SMD100 (LAW) - ALL CABLES OF APC22 - APC23, APC24		
白	WHITE	WT	白蓝	WHITE BLUE	WT/BL	The wiring diagram for reference only, change all cable color as per notice		



CHINESE	ENGLISH	ENGLISH ABBREVIATED	CHINESE	ENGLISH	ENGLISH ABBREVIATED	CHINESE	ENGLISH	ENGLISH ABBREVIATED
黑	BLACK	BLK	粉红	PINK	PK	白紫	WHITE PURPLE	WT/P
棕	BROWN	BN	浅蓝	LIGHT BLUE	L.T. BLU	白灰	WHITE GRAY	WT/GY
红	RED	RD	浅绿	LIGHT GREEN	L.T. GN	白粉	WHITE PINK	WT/PK
橙	ORANGE	OG	白黑	WHITE BLACK	WT/BLK	白浅蓝	WHITE LIGHT BLUE	WT/LT BLU
黄	YELLOW	YL	白棕	WHITE BROWN	WT/BN	白浅绿	WHITE LIGHT GREEN	WT/LT GN
绿	GREEN	GN	白红	WHITE RED	WT/RD	黄	GOLDEN YELLOW	GN/YL
蓝	BLUE	BLU	白橙	WHITE ORANGE	WT/OG	This column is blank.		
紫	PURPLE	PL	白黄	WHITE YELLOW	WT/YL	This column is blank.		
灰	GRAY	GR	白绿	WHITE GREEN	WT/GN	This column is blank.		
白	WHITE	WT	白蓝	WHITE BLUE	WT/BLU	This column is blank.		

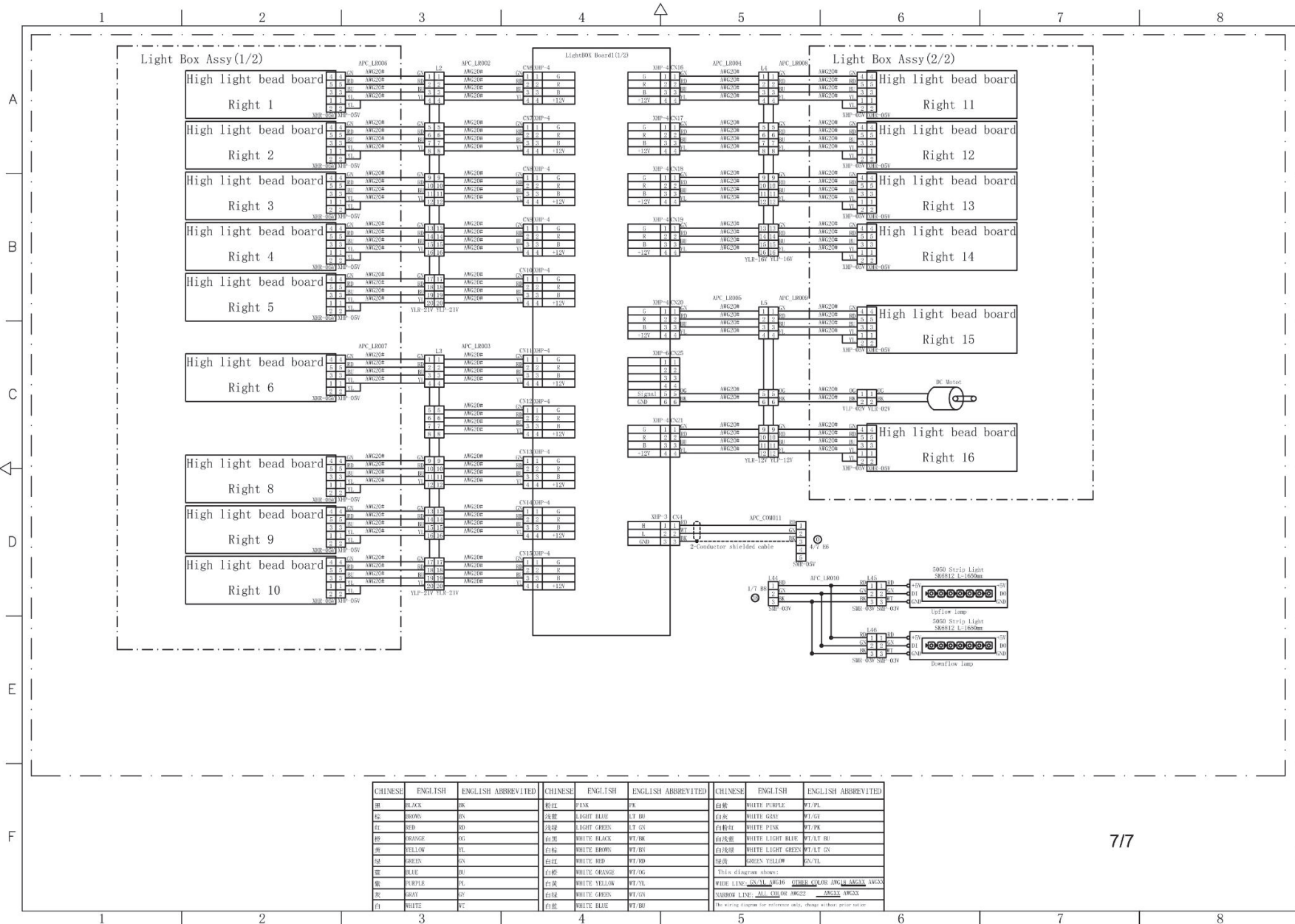




1P Light Assy  
(2P Light Assy)

CHINESE	ENGLISH	ENGLISH ABBREVIATED	CHINESE	ENGLISH	ENGLISH ABBREVIATED	CHINESE	ENGLISH	ENGLISH ABBREVIATED
黑	BLACK	BLK	粉	PINK	PK	白紫	WHITE PURPLE	W7/P
棕	BROWN	BN	浅蓝	LIGHT BLUE	LT BU	白灰	WHITE GRAY	W7/GY
红	RED	RD	浅绿	LIGHT GREEN	LT GN	白粉	WHITE PINK	W7/PK
橙	ORANGE	OG	白黑	WHITE BLACK	W7/BLK	白浅蓝	WHITE LIGHT BLUE	W7/LT BU
黄	YELLOW	YL	白棕	WHITE BROWN	W7/BR	白浅绿	WHITE LIGHT GREEN	W7/LT GN
绿	GREEN	GN	白	WHITE	W7/WH	绿黄	GREEN YELLOW	GN/YL
蓝	BLUE	BLU	白橙	WHITE ORANGE	W7/OG	This diagram shows:		
白	WHITE	WH	白黄	WHITE YELLOW	W7/YL	TOP LINE: ALL 2P WHITE OTHER COLOR WITH ARCXX, BKXX		
灰	GRAY	GR	白绿	WHITE GREEN	W7/GN	MIDDLE LINE: ALL 2P ORANGE OTHER COLOR WITH ARCXX, BKXX		
白	WHITE	WT	白蓝	WHITE BLUE	W7/BLU	BOTTOM LINE: ALL 2P ORANGE OTHER COLOR WITH ARCXX, BKXX		

The wire type depends on the customer's request. Please refer to the color key for details.



CHINESE	ENGLISH	ENGLISH ABBREVIATED	CHINESE	ENGLISH	ENGLISH ABBREVIATED	CHINESE	ENGLISH	ENGLISH ABBREVIATED
黑	BLACK	BLK	粉紅	PINK	PK	白綠	WHITE PURPLE	WT/PL
棕	BROWN	BN	淡藍	LIGHT BLUE	LT BU	白灰	WHITE GRAY	WT/GY
紅	RED	RD	淡綠	LIGHT GREEN	LT GN	白粉	WHITE PINK	WT/PK
橙	ORANGE	OG	白黑	WHITE BLACK	WT/BLK	淡藍	WHITE LIGHT BLUE	WT/LT BU
黃	YELLOW	YL	白棕	WHITE BROWN	WT/BN	淡綠	WHITE LIGHT GREEN	WT/LT GN
綠	GREEN	GN	白紅	WHITE RED	WT/RD	綠黃	GREEN YELLOW	GN/YL
藍	BLUE	BLU	白藍	WHITE BLUE	WT/BLU	This column is reserved.		
紫	PURPLE	PL	白黃	WHITE YELLOW	WT/YL	WHITE LINE: 50% 50% ARGB OTHER COLOR: 50% 50% ARGB ARGB		
灰	GRAY	GRY	白綠	WHITE GREEN	WT/GN	SHADOW LINE: ALL 40% OF ARGB27 ARGB33 ARGB35		
白	WHITE	WT	白藍	WHITE BLUE	WT/BLU	No writing direction for reference only, change with their serial code.		