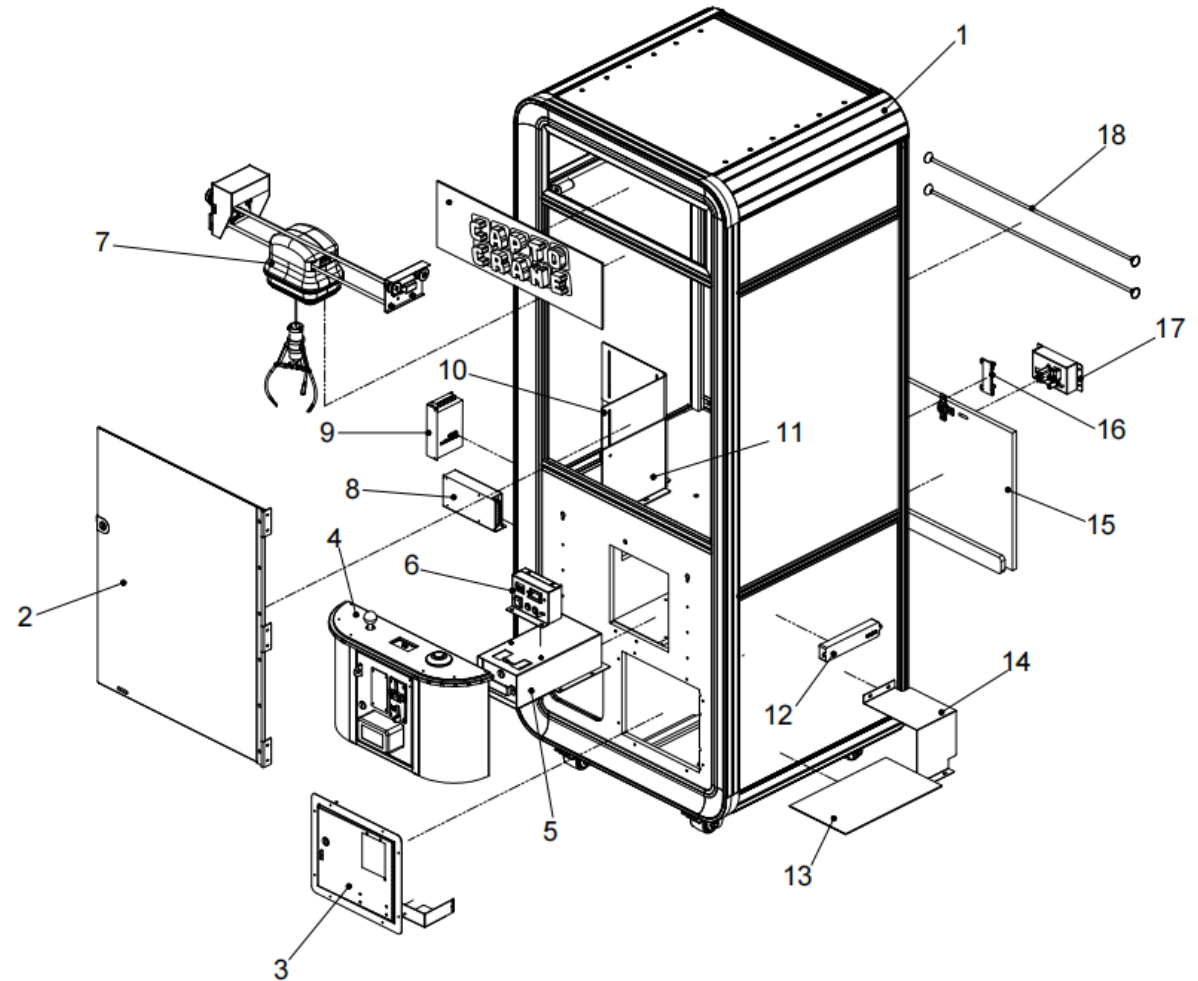


PARTS LIST (CAPTO CRANE + CAPTO CANDY)

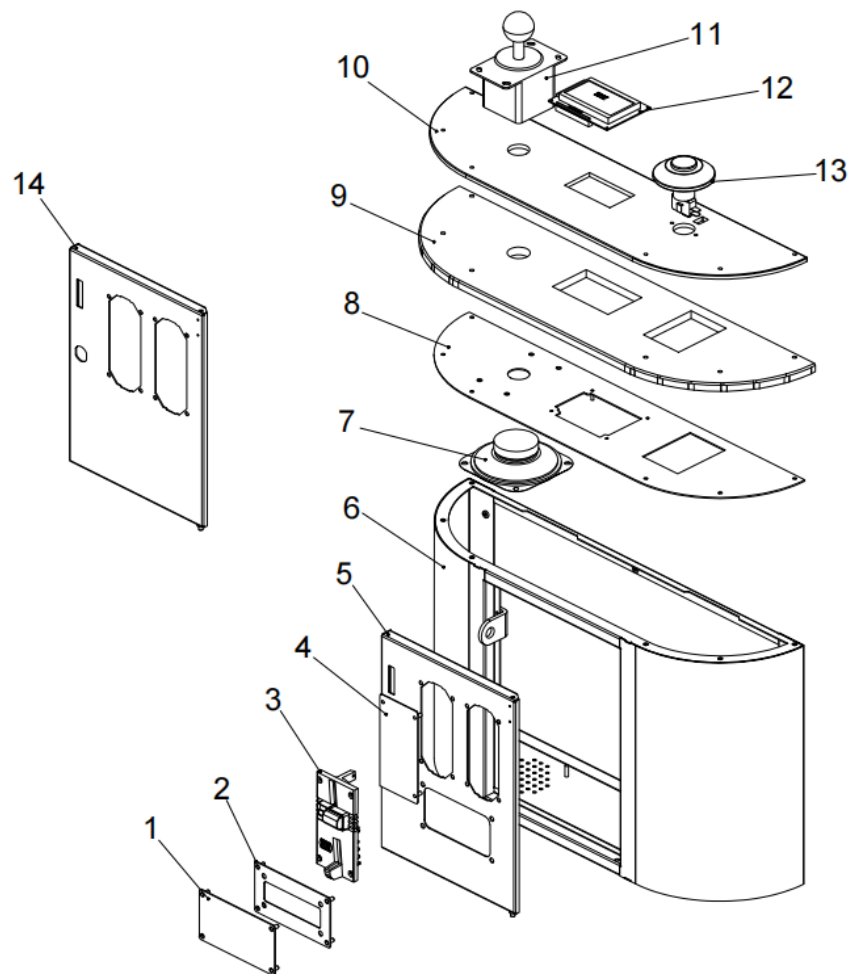
No.	Name	Part Code	Quantity
1	Cabinet	Diagram:1-Cabinet	1
2	Glass Door Assembly	Diagram:2-Glass Door Assembly	1
3	Cash Machine Frame Assembly	Diagram:3-Cash Machine Frame Assembly	1
4	Console Sheet Metal Assembly	Diagram:4-Console Sheet Metal Assembly	1
5	Coin Box	07.023.154	1
6	Control Panel	Diagram:6-Service Panel	1
7	Crane Assembly	01.012.003	1
8	Chassis Power Supply	01.005.012	1
9	Light Strip Power Supply	01.005.013	1
10	Gift Baffle - 2	06.028.028	1
11	Gift Baffle - 1	06.028.027	1
12	Sensor Board	01.019.058	1
13	Carpet	01.015.039	1
14	Power Box Cover NO:14	06.028.034	1
15	Rear Small Door	07.023.190	1
16	Anti-Shake Device	01.016.015	1
17	Power Box Assembly	Diagram:17-Power Supply Box Assembly	1
18	Rod for Gift Machine (70-120)	01.015.009	2

Overview



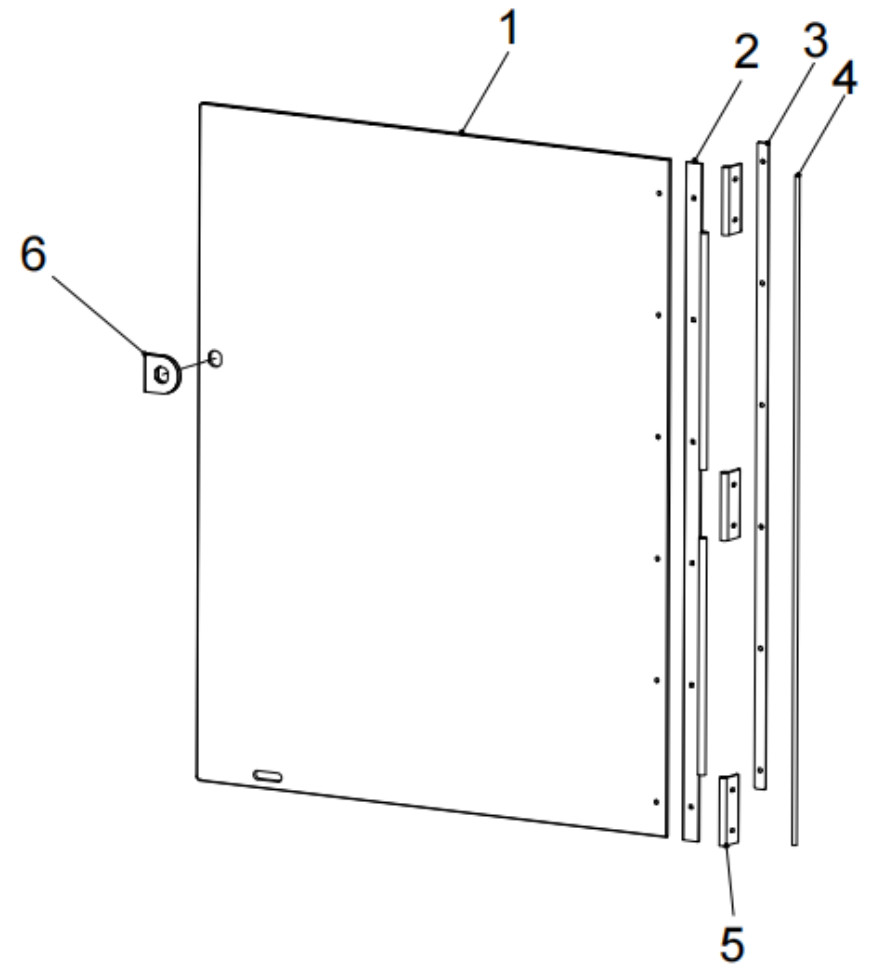
No.	Name	Part Code	Quantity
1	Card Reader Cover Plate	07.023.229	1
2	Card Reader Mounting Plate	07.023.179	1
3	Coin Acceptor Panel	\	1
4	Bill Validator Cover Plate	07.023.175	1
5	Console Door Panel - 2	07.023.180	1
6	Console Sheet Metal Weldment	07.023.230	1
7	Speaker	01.016.008	1
8	Console Panel	07.023.144	1
9	NO:6	06.028.026	1
10	\	\	1
11	Joystick - B	01.008.030	1
12	LCD Panel	01.002.009	1
13	White Rainbow Button	01.008.020	1
14	Console Door Panel - 1	07.023.197	1

Diagram4-Console Sheet Metal Assembly



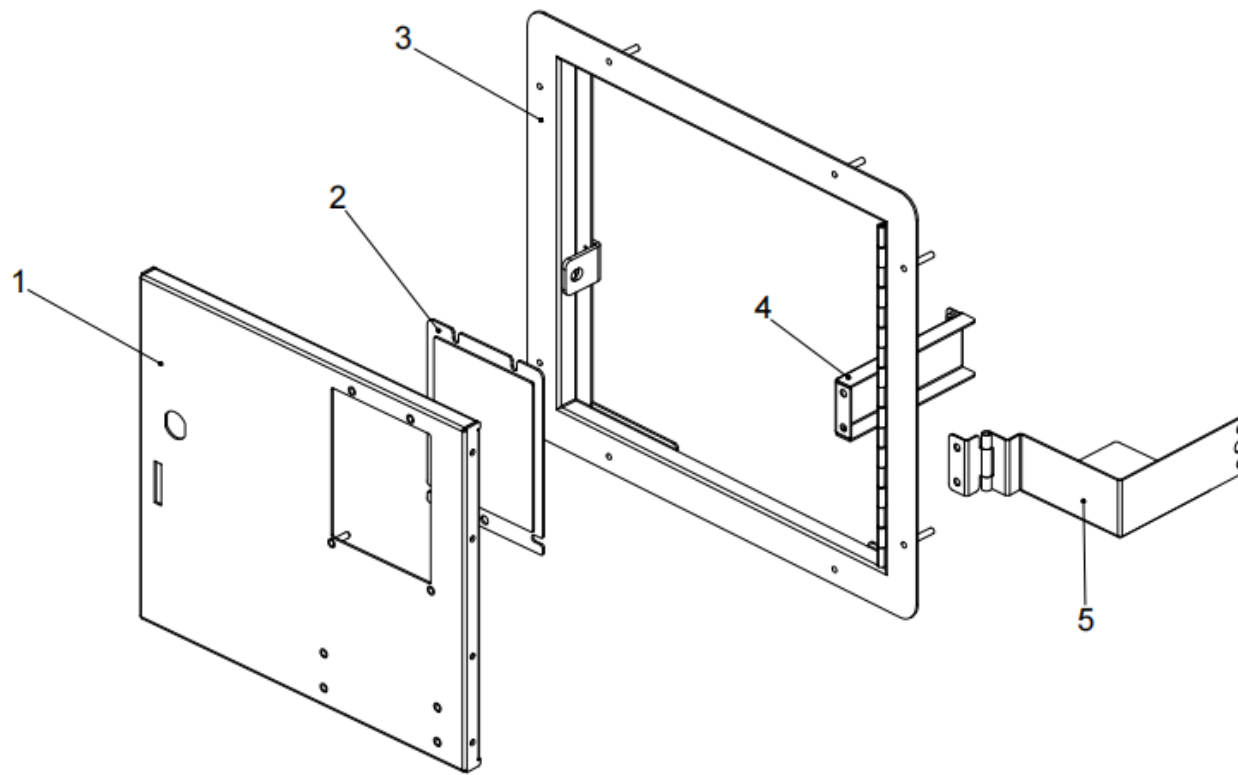
No.	Name	Part Code	Quantity
1	Glass Door Panel	07.023.181	1
2	Glass Door Hinge 1	07.023.120	1
3	Mirror Finish Stainless Steel Glass Door Hinge Press Strip	07.023.153	1
4	Hinge Rod 1	07.023.156	1
5	Glass Door Hinge 2	07.023.119	3
6	Mirror Finish Stainless Steel Glass Door Lock Plate	07.023.151	1

Diagram2-Glass Door Assembly



No.	Name	Part Code	Quantity
1	Door Panel Sheet Metal Weldment	07.023.171	1
2	Bill Validator Cover Plate - 2	07.023.176	1
3	Door Panel Frame	07.023.172	1
4	Fixing Plate	07.023.178	1
5	Hinge Assembly	07.023.177	1

Diagram3-Cash Machine Frame Assembly



No.	Name	Part Code	Quantity
1	Universal Fuse Holder	01.016.004	1
2	Universal Power Switch	01.016.003	
3	Filter	01.016.102	1
4	Power Switch Box	07.023.140	1

Diagram:17-Power Supply Box Assembly

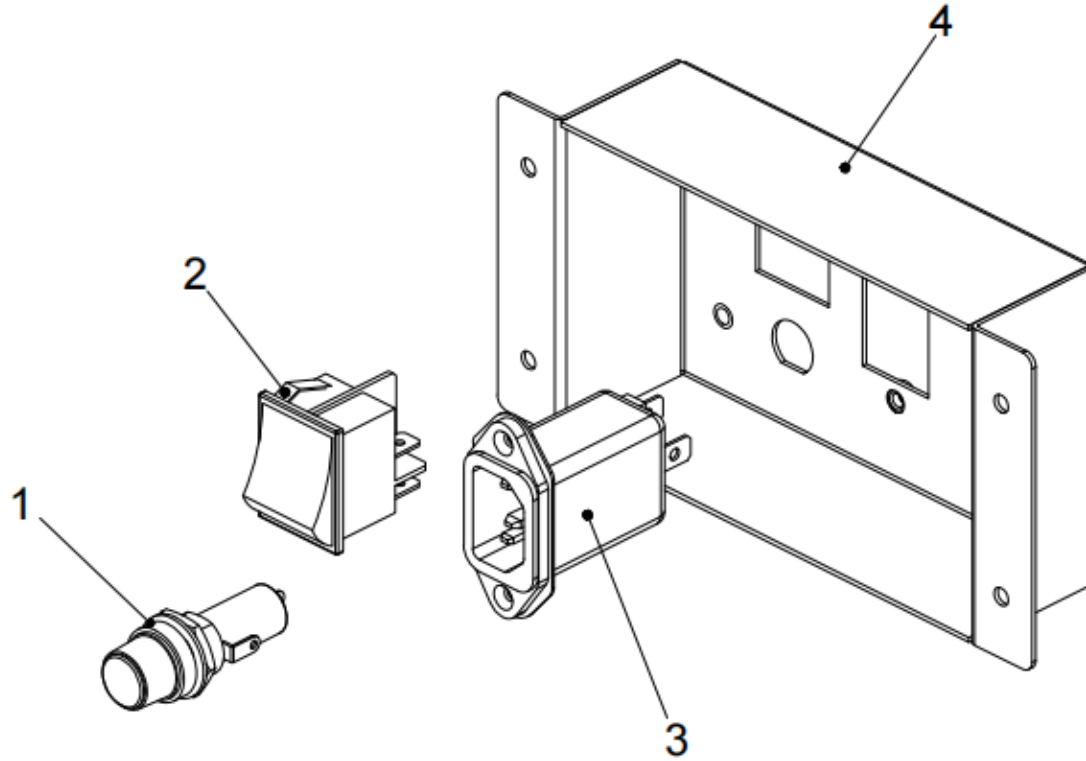
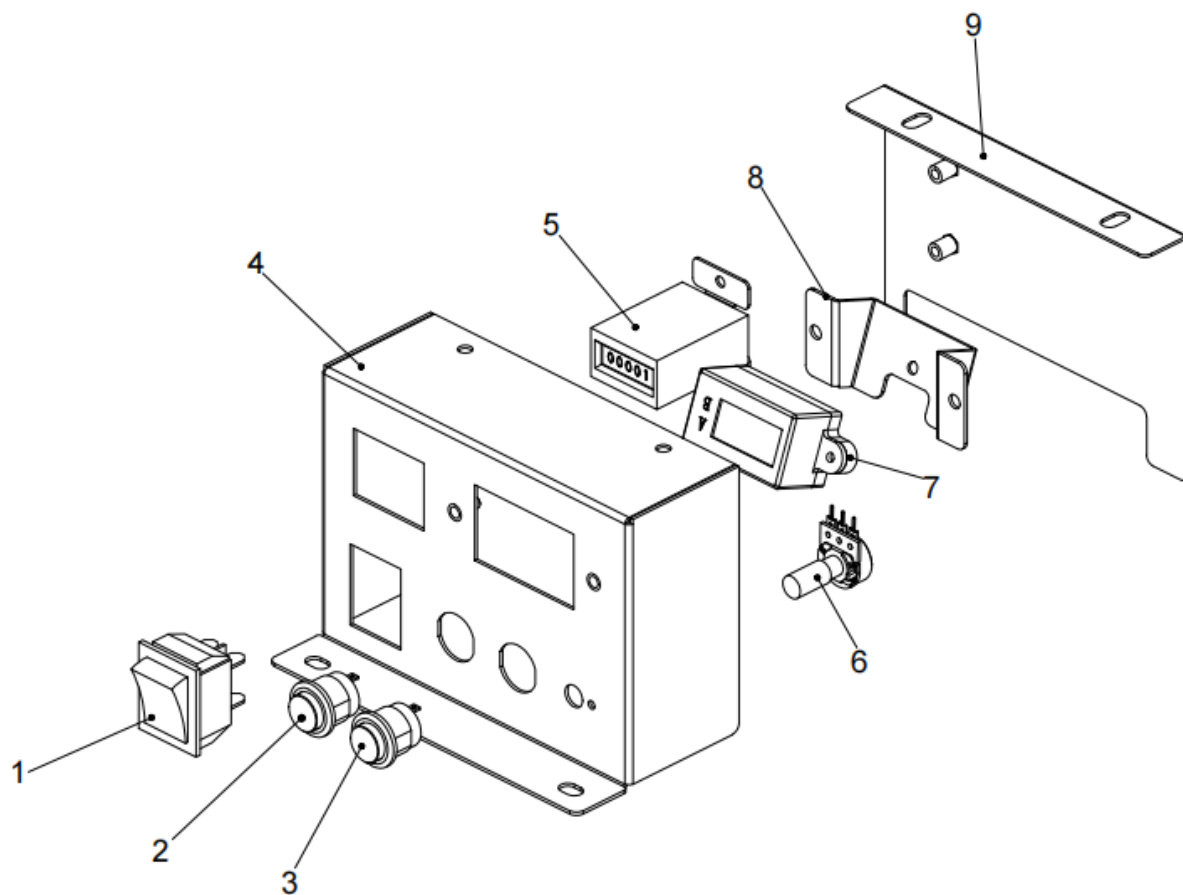


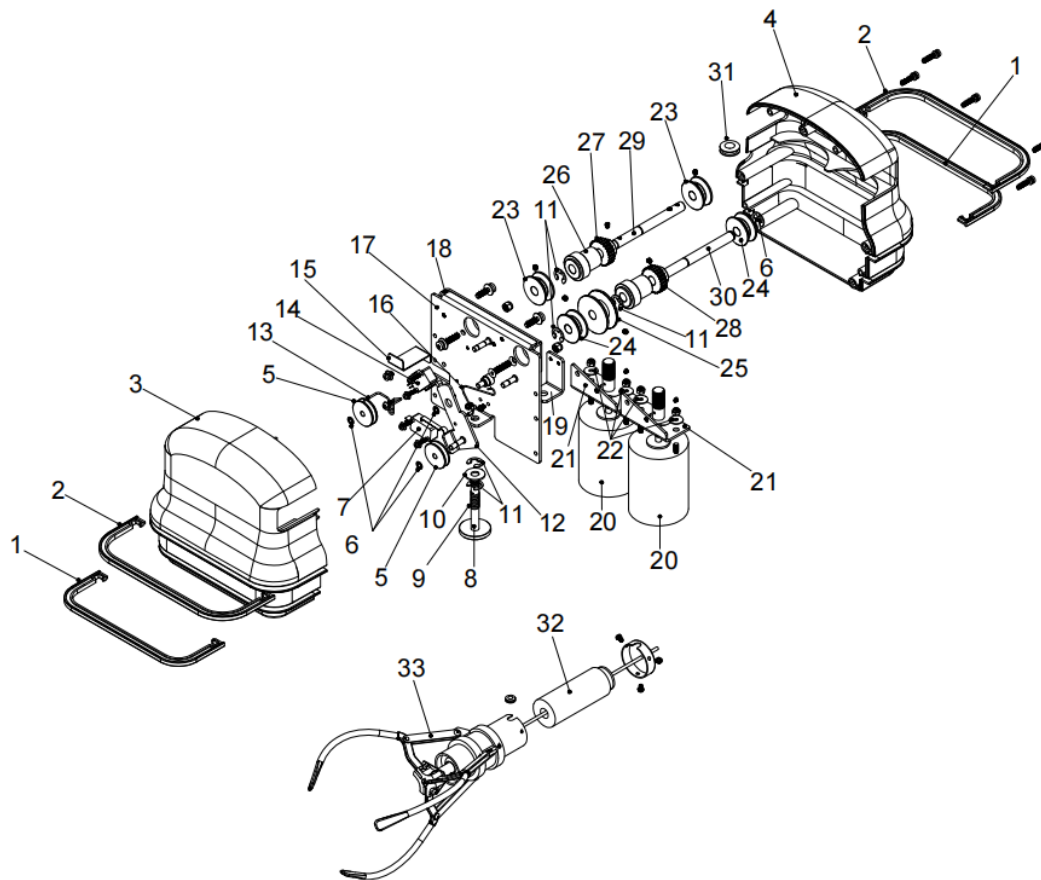
Diagram6-Service Panel

No.	Name	Part Code	Quantity
1	Universal Power Switch	01.016.003	1
2	Universal Setting Button - Red	01.008.017	1
3	Universal Setting Button - Green	01.008.015	1
4	Service Panel	07.023.148	1
5	Mechanical Tachometer	01.016.032	1
6	Knob Switch	01.016.101	1
7	Universal Electronic Tachometer	01.016.051	1
8	Digital meter Bracket	07.023.147	1
9	Service Panel Cover Plate	07.023.010	1



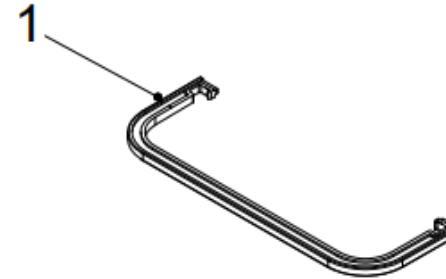
No.	Name	Part Code	Quantity
1	Claw box deco strip-short	\	2
2	Claw box deco strip-long	\	2
3	Front box	01.010.119	1
4	Back box	01.010.120	1
5	Wire hanging wheel	07.023.050	2
6	Φ4 blossom snap ring	01.021.059	3
7	Z,PPY micro switch(arc)	07.023.062	1
8	Anti-shake part	07.023.056	1
9	Spring	07.023.222	1
10	Washer	07.023.223	1
11	Φ4E snap ring	01.021.060	6
12	Spring install board component	07.023.040	1
13	Wire stop strip	07.023.225	2
14	Z,PPY micro switch(wheel)	07.023.064	1
15	Locate plate	07.023.224	1
16	Wire stop torsional spring	07.023.070	1
17	Install Board	07.023.227	1
18	Motor connect board	07.023.228	1
19	Wire locate part	07.023.041	1
20	Motor	07.023.071	2
21	Motor Fixture	07.023.035	2
22	Motor mat	07.023.226	4
23	Left& right pulley(with hole)	07.023.054	2
24	Left& right pulley(no hole)	07.023.057	2
25	Wire roll wheel	07.023.051	1
26	Guide shaft	07.023.046	2
27	Plastic gear wheel	07.023.044	1
28	Iron gear wheel	07.023.047	1
29	Gear wheel shaft 1	07.023.052	1
30	Gear wheel shaft 2	07.023.053	1
31	Seal ring	01.010.142	1
32	Solenoid	07.023.061	1
33	Stand claw	07.023.060	1

7-23-Movable Motor Component



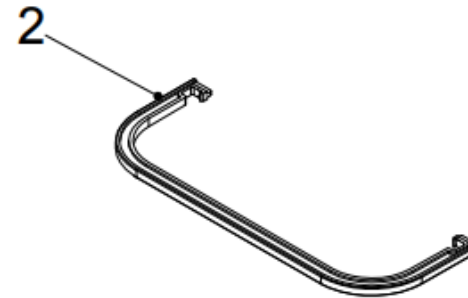
No.	Name	Part Code	Color	Quantity
1	Claw box deco strip-short	01.010.128	Blue	2
2	Claw box deco strip-short	01.010.141	Green	2
3	Claw box deco strip-short	01.010.144	Red	2
4	Claw box deco strip-short	01.010.146	Yellow	2
5	Claw box deco strip-short	01.010.148	Pink	2
6	Claw box deco strip-short	01.010.150	White	2

Claw Box Deco Strip-Short



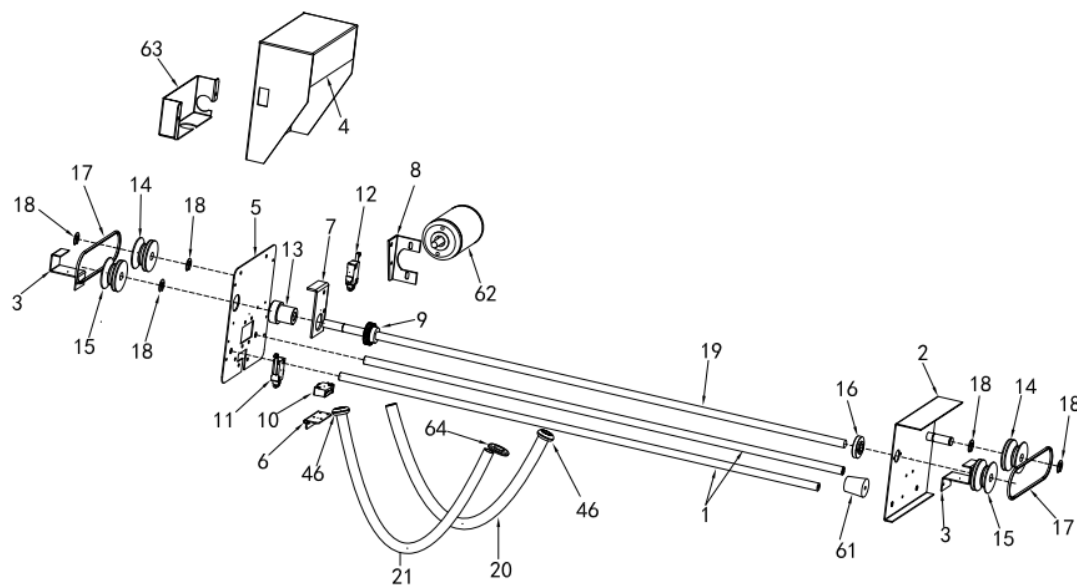
No.	Name	Part Code	Color	Quantity
1	Claw box deco strip-long	01.010.127	Blue	2
2	Claw box deco strip-long	01.010.140	Green	2
3	Claw box deco strip-long	01.010.143	Red	2
4	Claw box deco strip-long	01.010.145	Yellow	2
5	Claw box deco strip-long	01.010.147	Pink	2
6	Claw box deco strip-long	01.010.149	White	2

Claw Box Deco Strip-Long



01.012.039-BJ Candy Claw-1

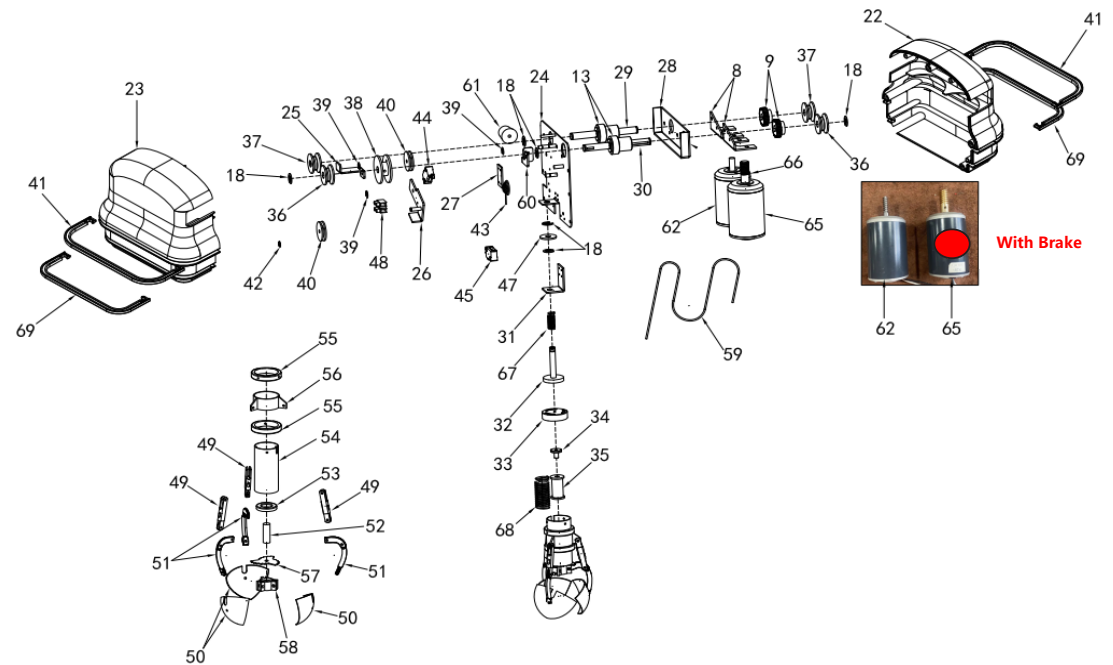
No.	Name	Part Code	Quantity
1	BJ candy claw-right support rod	07.023.323	2
2	BJ candy claw-right side board	07.023.324	1
3	BJ candy claw-right bracket	07.023.325	2
4	BJ candy claw-side cover	07.023.326	1
5	BJ candy claw-left side board	07.023.327	1
6	BJ candy claw-micro switch bracket	07.023.328	1
7	BJ candy claw-left motor bracket	07.023.329	1
8	BJ candy claw-motor bracket	07.023.330	3
9	BJ candy claw-rubber gear wheel	07.023.331	3
10	BJ candy claw-left micro switch	07.023.332	1
11	BJ candy claw-front micro switch	07.023.333	1
12	BJ candy claw-back micro switch	07.023.334	1
13	BJ candy claw-long sleeve suit	07.023.335	3
14	BJ candy claw-double sheave wheel	07.023.336	2
15	BJ candy claw-double sheave wheel with teeth	07.023.337	2
16	BJ candy claw-flat sleeve suit	07.023.338	1
17	BJ candy claw-black belt	07.023.339	2
18	BJ candy claw-8mm steel snap ring	07.023.340	11
19	BJ candy claw-drive rod	07.023.341	1
20	BJ candy claw-big spring tube	07.023.342	1
21	BJ candy claw-small spring tube	07.023.343	1
22	Back cover	01.010.120	1
23	Front cover	01.010.119	1
24	BJ candy claw-middle plate	07.023.344	1
25	BJ candy claw-stop plate	07.023.345	1
26	BJ candy claw-slide block	07.023.346	1
27	BJ candy claw-micro switch mat	07.023.347	1
28	BJ candy claw-middle fixture	07.023.348	1
29	BJ candy claw-short sleeve	07.023.349	1
30	BJ candy claw-short sleeve with groove	07.023.350	1



31	BJ candy claw-guide plate	07.023.351	1
32	BJ candy claw-conduit	07.023.352	1
33	BJ candy claw-tube top cover	07.023.353	1
34	BJ candy claw-demagnetize sheet	07.023.354	1
35	BJ candy claw-coil	07.023.355	1
36	BJ candy claw-single sheave wheel	07.023.356	2
37	BJ candy claw-single sheave wheel with teeth	07.023.357	2
38	BJ candy claw-wire wheel	07.023.358	1
39	BJ candy claw-4MM steel snap ring	07.023.359	3
40	BJ candy claw-wire wheel	07.023.360	2
41	Claw box deco strip-Long	01.010.127	2
42	BJ candy claw-5mm bearing clip	07.023.361	1
43	BJ candy claw-spring wire	07.023.362	1
44	BJ candy claw-down micro switch	07.023.363	1
45	BJ candy claw-up micro switch	07.023.364	1
46	BJ candy claw-spring rubber suit	07.023.365	2
47	BJ candy claw-8mm inter sheet	07.023.366	1
48	BJ candy claw-terminal block	07.023.367	1
49	BJ candy claw-connect sheet	07.023.368	3
50	BJ candy claw-steel claw piece	07.023.369	3
51	BJ candy claw-claw feet	07.023.370	3
52	BJ candy claw-suck iron rod	07.023.371	1
53	BJ candy claw-tube inner cover	07.023.372	1
54	BJ candy claw-coil tube	07.023.373	1
55	BJ candy claw-iron fist	07.023.374	2
56	BJ candy claw-claw fixture	07.023.375	1
57	BJ candy claw-adjust plate	07.023.376	1
58	BJ candy claw-guide groove	07.023.377	1
59	BJ candy claw-claw wire	07.023.378	1
60	BJ candy claw-micro switch block	07.023.379	1
61	BJ candy claw-micro switch mat	07.023.380	2

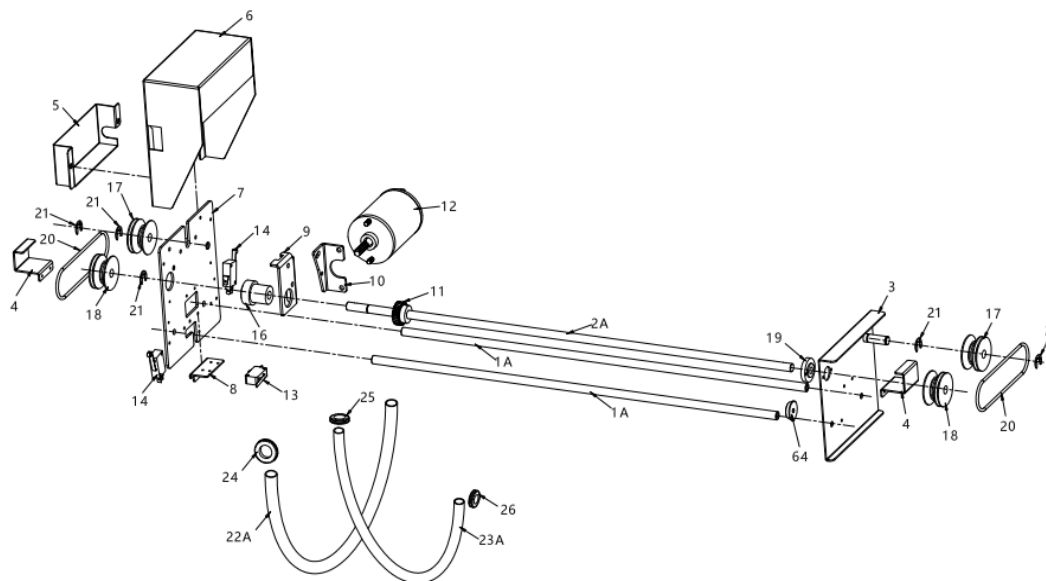
62	BJ candy claw-motor without brake	07.023.381	2
63	BJ candy claw-side box	07.023.382	1
64	BJ candy claw-side box glue suit	07.023.383	1
65	BJ candy claw-up down motor with brake	07.023.384	1
66	BJ candy claw-vortex rod	07.023.385	1
67	BJ candy claw-0.9 press spring	07.023.386	1
68	BJ candy claw-spring wire	07.023.387	1
69	BJ candy claw-claw box deco strip-short	01.010.128	2

01.012.039-BJ Candy Claw-2



01.012.037 XML Standard Claw-1

No.	Name	Part Code	Quantity
1A	XML standard claw 700 sub rod	07.023.243	2
2A	XML standard claw 700 main rod	07.023.244	1
3	XML Claw-right side board	07.023.245	1
4	XML Claw-bracket	07.023.246	2
5	XML Claw-side box	07.023.247	1
6	XML Claw-side cover	07.023.248	1
7	XML Claw-left side board	07.023.249	1
8	XML Claw-micro switch bracket	07.023.250	1
9	XML Claw-left motor bracket	07.023.251	1
10	XML Claw-motor bracket	07.023.252	3
11	XML Claw-rubber gear wheel	07.023.253	3
12	Direct current motor 24V-3800RPM without break	01.009.148	2
13	XML Claw-left micro switch	07.023.254	1
14	XML Claw-front & back micro switch	07.023.255	2
15	Direct current motor 24V-3800RPM with break	01.009.147	1
16	XML Claw-long sleeve suit	07.023.256	2
17	XML Claw-double groove wheel	07.023.257	2
18	XML Claw-double groove wheel with teeth	07.023.258	1
19	XML Claw-flat sleeve suit	07.023.259	2
20	XML Claw-green belt	07.023.260	11
21	XML Claw-7mm steel snap ring	07.023.261	1
22A	XML standard Claw-700 big spring tube	07.023.262	1
23A	XML standard claw-700 small spring tube	07.023.263	1
24	XML Claw-16 wire grommet	07.023.264	1
25	XML Claw-14 wire grommet	07.023.265	1
26	XML Claw-11 wire grommet	07.023.266	1
27	XML Claw-middle board	07.023.267	1
28	XML Claw-stop board	07.023.268	1
29	XML Claw-slide brick	07.023.269	1
30	XML Claw-micro switch mat	07.023.270	1
31	XML Claw-middle fixture	07.023.271	1



32	XML Claw-short sleeve	07.023.272	1
33	XML Claw-short sleeve with groove	07.023.273	1
34	XML Claw-guide board	07.023.274	1
35	XML Claw-wire tube	07.023.275	1
36A	XML Standard Claw-tube top cover	07.023.276	1
37	XML Claw-demagnetize sheet	07.023.277	1
38A	XML Standard Claw-wire ring	07.023.278	1
39	XML Claw-0.9 press spring	07.023.279	1
40	XML Claw-single groove wheel with teeth	07.023.280	2
41	XML Claw-single groove wheel	07.023.281	2
42	XML Claw-rope wheel	07.023.282	1
43	XML Claw-4mm steel snap ring	07.023.283	2
44	XML Claw-rope wheel	07.023.284	2
45	XML Claw-wheel stop rod	07.023.285	1
46	XML Claw-5 bearing clip	07.023.286	1
47	XML Claw-1.1 torsional spring	07.023.287	1
48	XML Claw-terminal block	07.023.288	1
49	XML Claw-down micro switch	07.023.289	1
50	XML Claw-up micro switch	07.023.290	1
51	XML Claw-claw glove	07.023.291	3
52	XML Claw-8mm flat sheet	07.023.292	1
53A	XML Standard Claw-iron ring	07.023.293	2
54A	XML Standard Claw-claw fixture	07.023.294	1
55A	XML Standard Claw-connect plate	07.023.295	3 pairs
56A	XML Standard Claw-steel tube	07.023.296	1
57A	XML Standard Claw-tube inner cover	07.023.297	1
58A	XML Standard Claw-Magnetic absorb bar	07.023.298	1
59A	XML Standard Claw-claw feet	07.023.299	3
60A	XML Standard Claw-triangle plate	07.023.300	1
61A	XML Standard Claw-guide groove	07.023.301	1
62	XML Claw-rope	07.023.302	1

63	XML Claw-spring wire	07.023.303	1
64	XML Claw- anti-collision rubber	07.023.304	2
65	XML Claw- anti-collision brick	07.023.305	1
66	XML Claw-front box	01.010.119	1
67	XML Claw-back box	01.010.120	1
68	XML Claw-long blue strip	01.010.127	2
69	XML Claw-short blue strip	01.010.128	2

01.012.037 XML Standard Claw-2

