

# 17 PARTS LIST

## BOP IT STRUCTURE FLOW

### TOP ASSY BOP IT ARCADE

BI-0000UK  
TOP ASSY BOP IT ARCADE

\*  
BI-1000UK  
ASSY MAIN CABI

\*\*  
BI-1080UK  
ASSY AC UNIT

BI-0320UK  
ASSY SW UNIT

\*\*\*  
BI-0325UK  
ASSY LCD 2675575 MIDAS

BI-1500UK  
ASSY LED CLUSTER L

BI-1550UK  
ASSY LED CLUSTER R

BI-2100UK  
ASSY CTRL PANEL

BI-2600UK  
ASSY CTRL PUSH IT

BI-2200UK  
ASSY CTRL PULL IT

BI-2220UK  
ASSY SHAFT PULL IT

BI-2300UK  
ASSY CTRL TWIST IT

BI-2320UK  
ASSY SHAFT TWIST IT

BI-2400UK  
ASSY CTRL FLICK IT

BI-2420UK  
ASSY SHAFT FLICK IT

BI-2500UK  
ASSY CTRL SPIN IT

BI-2520UK  
ASSY MOULD SPIN IT

BI-4000UK  
ASSY ELEC

BI-4100UK  
ASSY PSU

SND-1340UK  
ASSY FAN

BI-INST  
ASSY INST KIT BI

BI-0500UK  
ASSY BILLBOARD

BI-3000UK  
ASSY MAIN DISPLAY

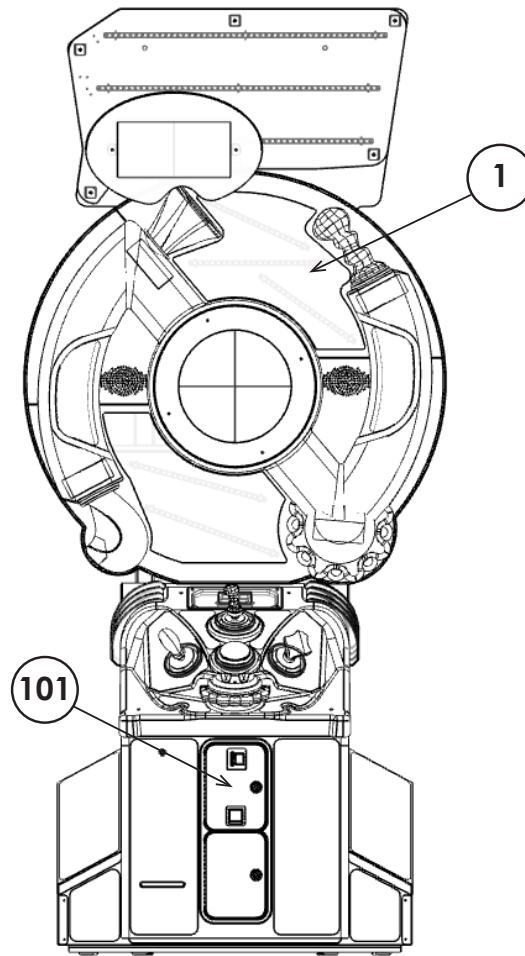
BI-3010UK  
ASSY BOP IT

BI-0100UK  
ASSY STABILIZER BACK

BI-3100UK  
ASSY BONUS BOX

Please note: The location of all artwork can be found in Chapter 16 of this manual.

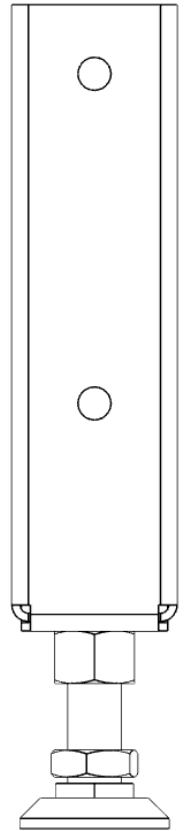
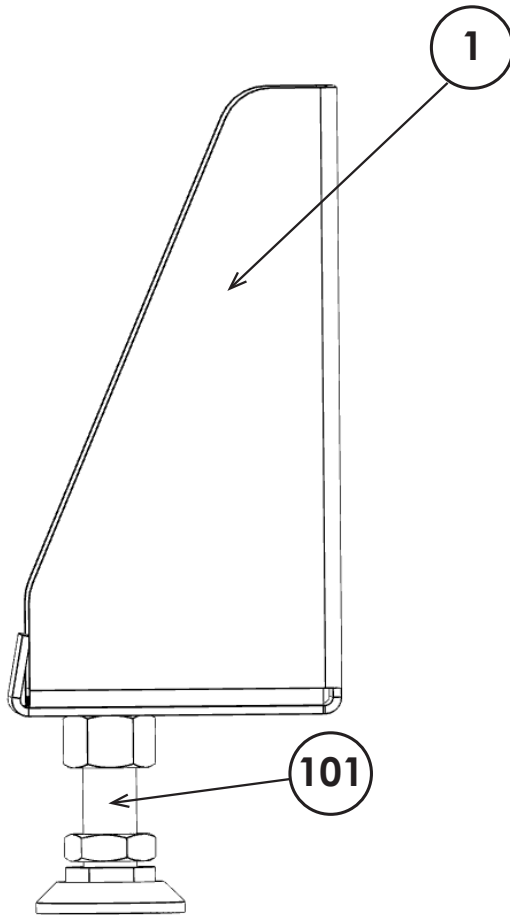
① TOP ASSY BOP IT ARCADE (BI-0000UK)



ITEM NO	PART NO	DESCRIPTION	QTY
*1	BI-1000UK	ASSY MAIN CABI	1
*20	421-7988-91UK	STICKER SERIAL NUMBER UK	1
*101	220-5740-01W	DFMD W/UNIV CRADLE/CBOX ENC/LOCKS WHITE	1
*103	OS1247	ALUMINIUM STICKY CLIP ASK-3 475-198	3
*401	BI-INST	ASSY INST KIT BI	1
*403	PK0557	SLEEVE BI	1
*404	PK0551	PALLET BI	1
*405	PK0552	BOX BI MAIN DISPLAY	1
*406	420-0040UK	MANUAL BI	1
*407	PK0559	BAR STRAP BI	1

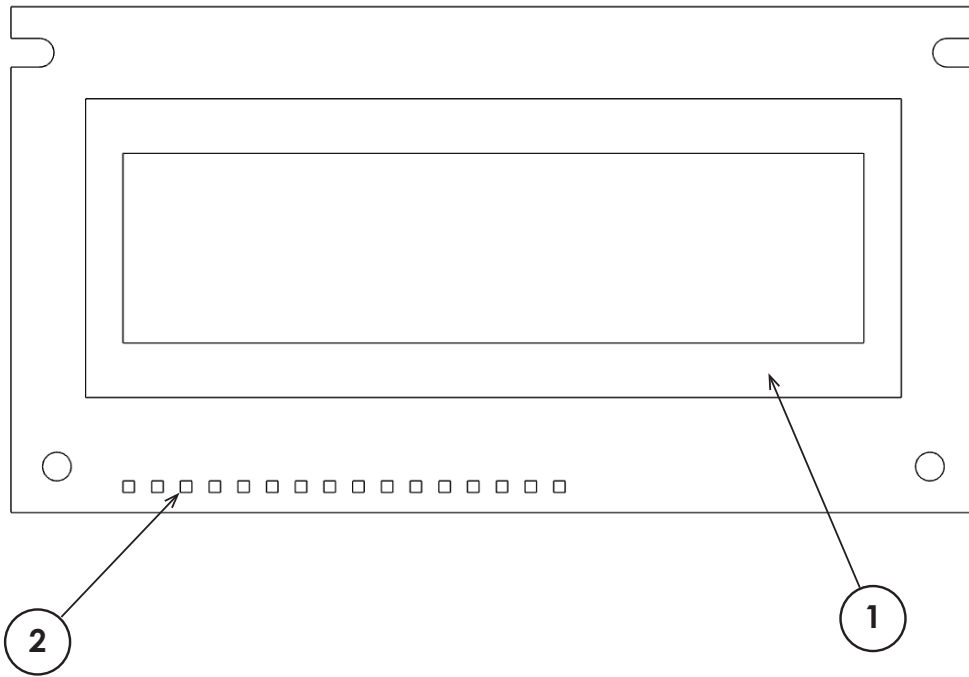
Please note: The location of all labels can be found in Chapter 1 of this manual.

② ASSY STABILIZER BACK (BI-0100UK)



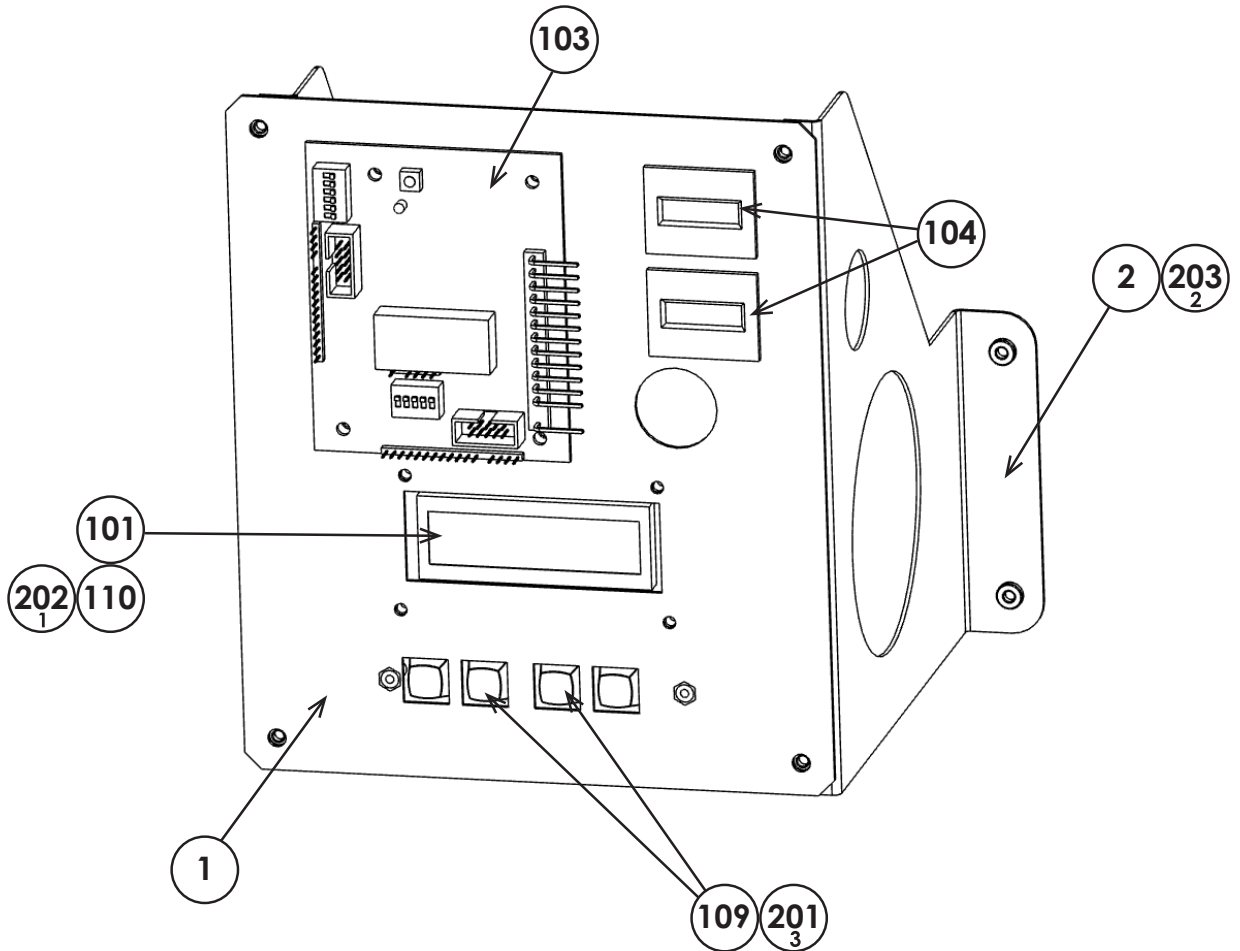
ITEM NO	PART NO	DESCRIPTION	QTY
*1	BI-0101UK	BRKT STABILZER BACK	1
***101	601-5699UK-01	LEG ADJUSTER M16X100 1L/NUT	1

③ ASSY LCD 2675575 MIDAS (BI-0325UK)



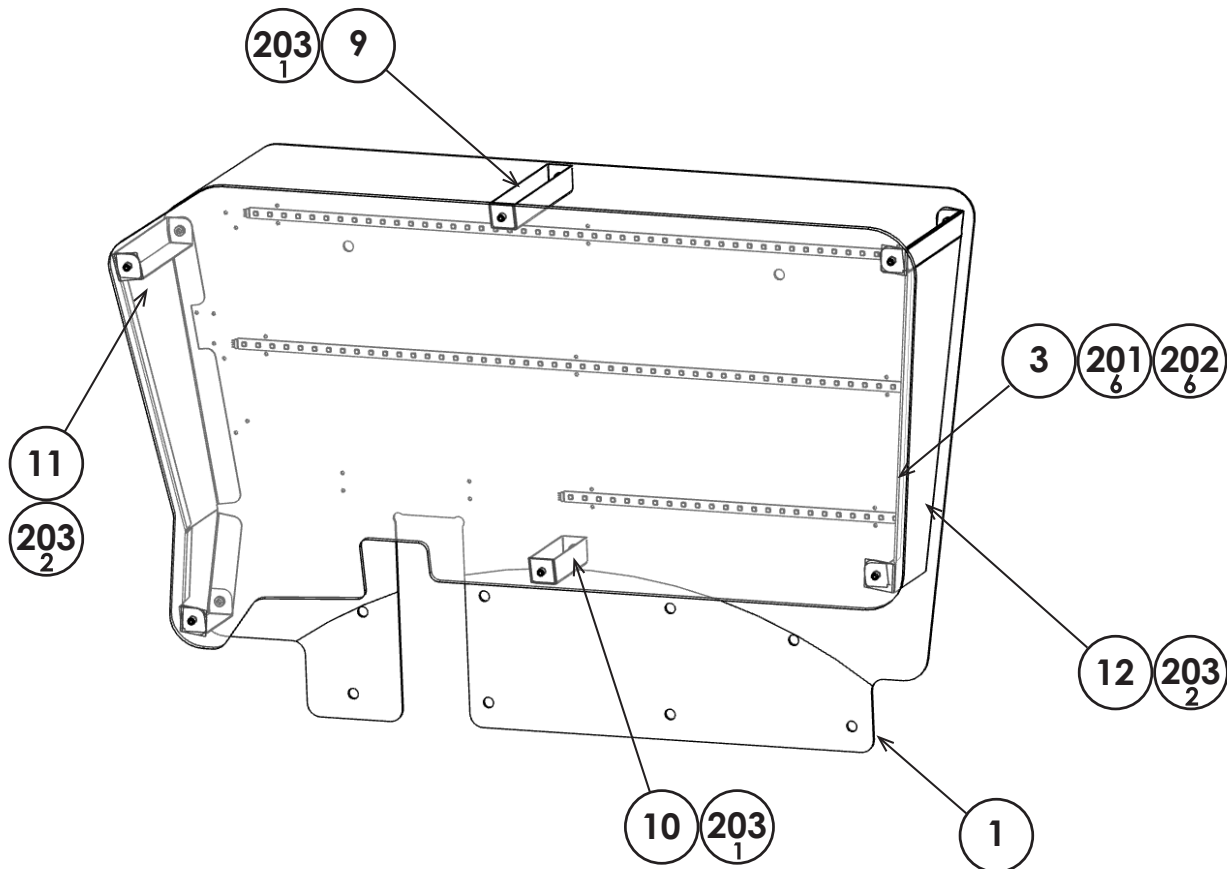
ITEM NO	PART NO	DESCRIPTION	QTY
****1	EP1494	LCD 2x16 2675575 MIDAS	1
****2	EP1516	HEADER KK 16P 6410 RS670-1291	1

④ ASSY SW UNIT (BI-0320UK)



ITEM NO	PART NO	DESCRIPTION	QTY
***1	BI-0321UK	SW BRKT DOUBLE METER	1
***2	BI-0322UK	BRKT MTG SW UNIT	2
***101	BI-0325UK	ASSY LCD 2675575 MIDAS	1
***102	280-L00706-PM	STANDOFF 6.4MM HOLE PM	4
***103	EP1380-01	CREDIT BOARD EXCEL	1
***104	220-5643UK	COIN METER SMALL 12V	2
***105	OS1247	ALUMINIUM STICKY CLIP ASK-3	1
***107	OS1098	CRIMP BELL END SMALL	4
***108	601-0460	CABLE TIE NYLON 100MM	2
***109	838-0058UK	PCBA DIGITAL SW VOL BD	1
***110	280-0005UK	HOLDER EDGE PCB SCREW MNT 6MM	4
***201	000-P00308-W	M3X8 MSCR PAN W/FS PAS	3
***202	012-P03506-F	N6X1/4" S/TAP FLG PAS	4
***203	029-B00412	M4X12 SKT BH PAS	4
***301	BI-60015UK	WH COIN HAND	1
***302	BI-60022UK	WH TICKET MECH	1

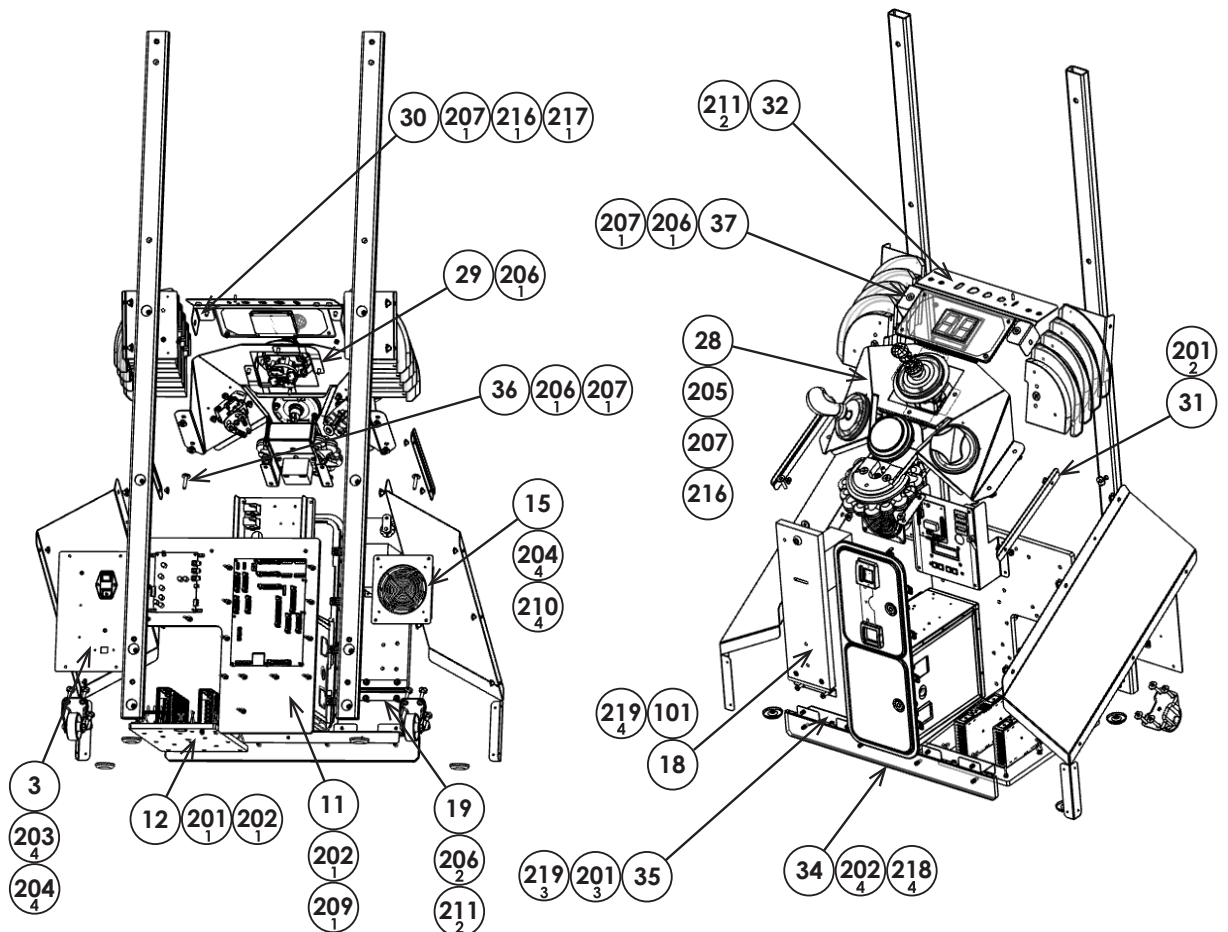
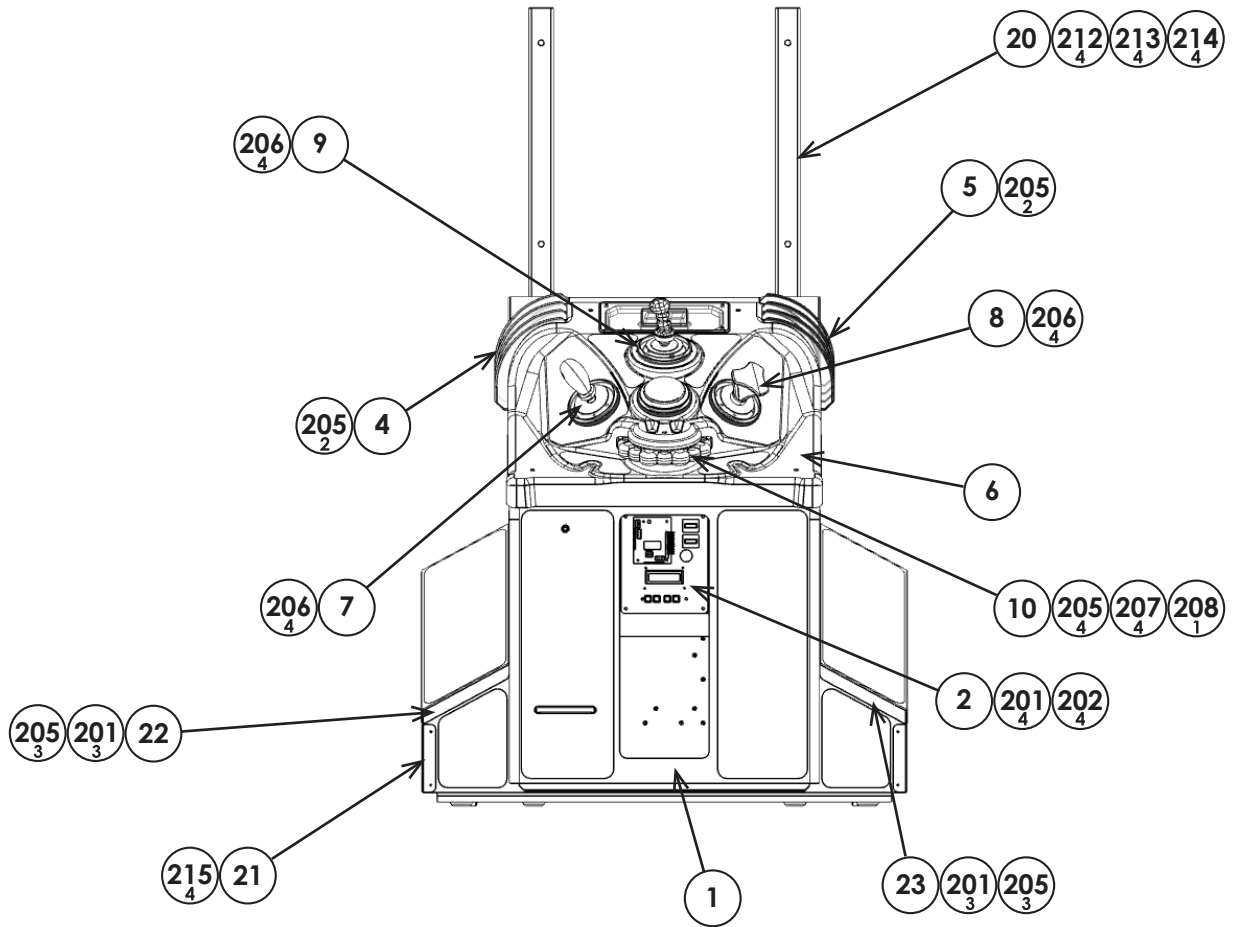
5 ASSY BILLBOARD (BI-0500UK)



ITEM NO	PART NO	DESCRIPTION	QTY
***1	BI-0501UK	BOARD BACK BILLBOARD	1
***3	BI-0503UK	PANEL HEADER BILLBOARD	1
***9	BI-0509UK	STRUT SUPP HEADER TOP MID	1
***10	BI-0510UK	STRUT SUPP HEADER BTM MID	1
***11	BI-0511UK	BRKT ENDCAP L	1
***12	BI-0512UK	BRKT ENDCAP R	1
***101	601-0460	CABLE TIE NYLON 100MM	15
***201	029-B00412	M4X12 SKT BH PAS	6
***202	068-441616	M4 WSHR 16OD FLT PAS	6
***203	029-B00616	M6X16 SKT BH PAS	6
***301	BI-6001UK	ASSY BB TOP	2
***302	BI-6002UK	ASSY BB SHORT	1
***303	BI-60023UK	WH BILLBOARD LED	1
***304	BI-6003UK	ASSY BB MID	1

⑥ ASSY MAIN CABINET (BI-1000UK)

(1/3)



⑥ ASSY MAIN CABINET (BI-1000UK)

(2/3)

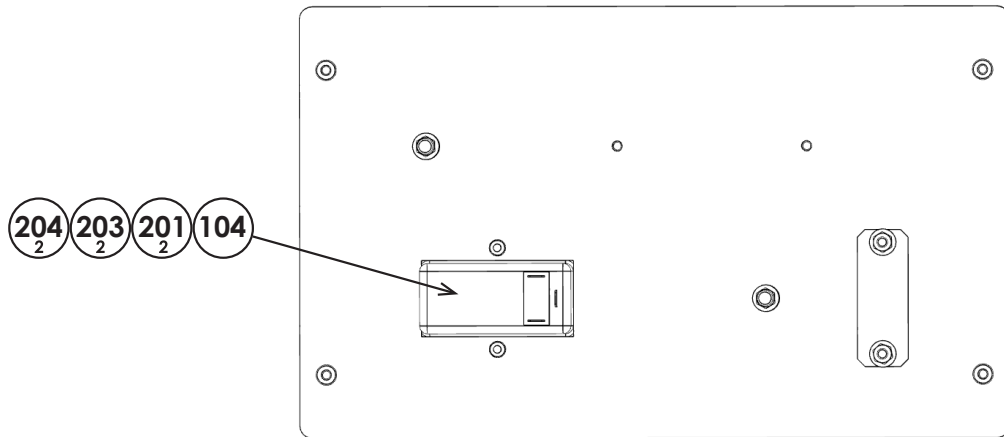
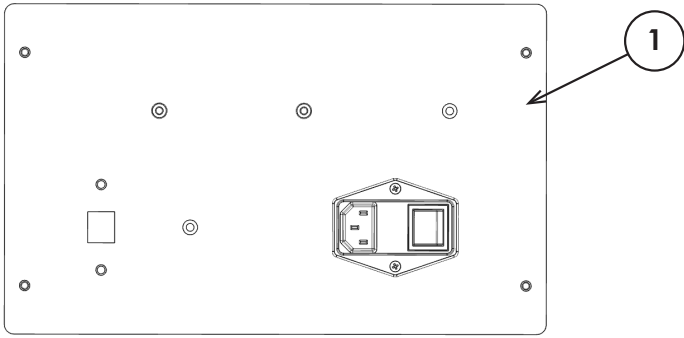
ITEM NO	PART NO	DESCRIPTION	QTY
**1	BI-1002UK	ASSY BASE CABI	1
**2	BI-0320UK	ASSY SW UNIT	1
**3	BI-1080UK	ASSY AC UNIT	1
**4	BI-1500UK	ASSY LED CLUSTER L	1
**5	BI-1550UK	ASSY LED CLUSTER R	1
**6	BI-2100UK	ASSY CTRL PANEL	1
**7	BI-2200UK	ASSY CTRL PULL IT	1
**8	BI-2300UK	ASSY CTRL TWIST IT	1
**9	BI-2400UK	ASSY CTRL FLICK IT	1
**10	BI-2500UK	ASSY CTRL SPIN IT	1
**11	BI-4000UK	ASSY ELEC	1
**12	BI-4100UK	ASSY PSU	1
**15	SND-1340UK	ASSY FAN	1
**18	PG-1106UK	HOLDER TICKET	1
**19	PG-1107UK	BRKT RETAIN TICKET HOLDER	1
**20	BI-1003UK	STRUT MAIN DISPLAY SUPP	2
**21	BI-1004UK	BRKT CORNER PROTECT	2
**22	BI-1005UK	COVER MAIN CABI LWR L	1
**23	BI-1006UK	COVER MAIN CABI LWR R	1
**28	BI-1021UK	BRKT CTRL PNL SUPP MAIN	1
**29	BI-1022UK	BRKT FLICK IT SUPP	2
**30	BI-1023UK	BRKT CTRL PNL SUPP TOP	2
**31	BI-1024UK	BRKT COVER CTRL PNL SIDE	2
**32	BI-1025UK	PLATE JOINT PNL MTG	1
**34	BI-1031UK	PLATE LIGHT CABI FRONT EDGE	1
**35	BI-1032UK	BRKT MTG LIGHT CABI FRONT EDGE	1
**36	BI-1033-01UK	STUD CAPPED LONG	2
**37	BI-1033-02UK	STUD CAPPED SHORT	2
**38	BI-1034UK	COVER ASSY PSU	1
**101	220-0001-01UK	TICKET VEND UNIT TD-963CR	1
**102	EP1420	SW MICRO LEVER RS706-4281	1
**103	EP1421	LED 12V RED RS 541-4072	1
**104	280-A01264-WX	ROUTER TWIST D12 SO6.4 WOOD XL	29
**105	280-A02064-WX	ROUTER TWIST D20 SO6.4 WOOD XL	7

⑥ ASSY MAIN CABINET (BI-1000UK)

(3/3)

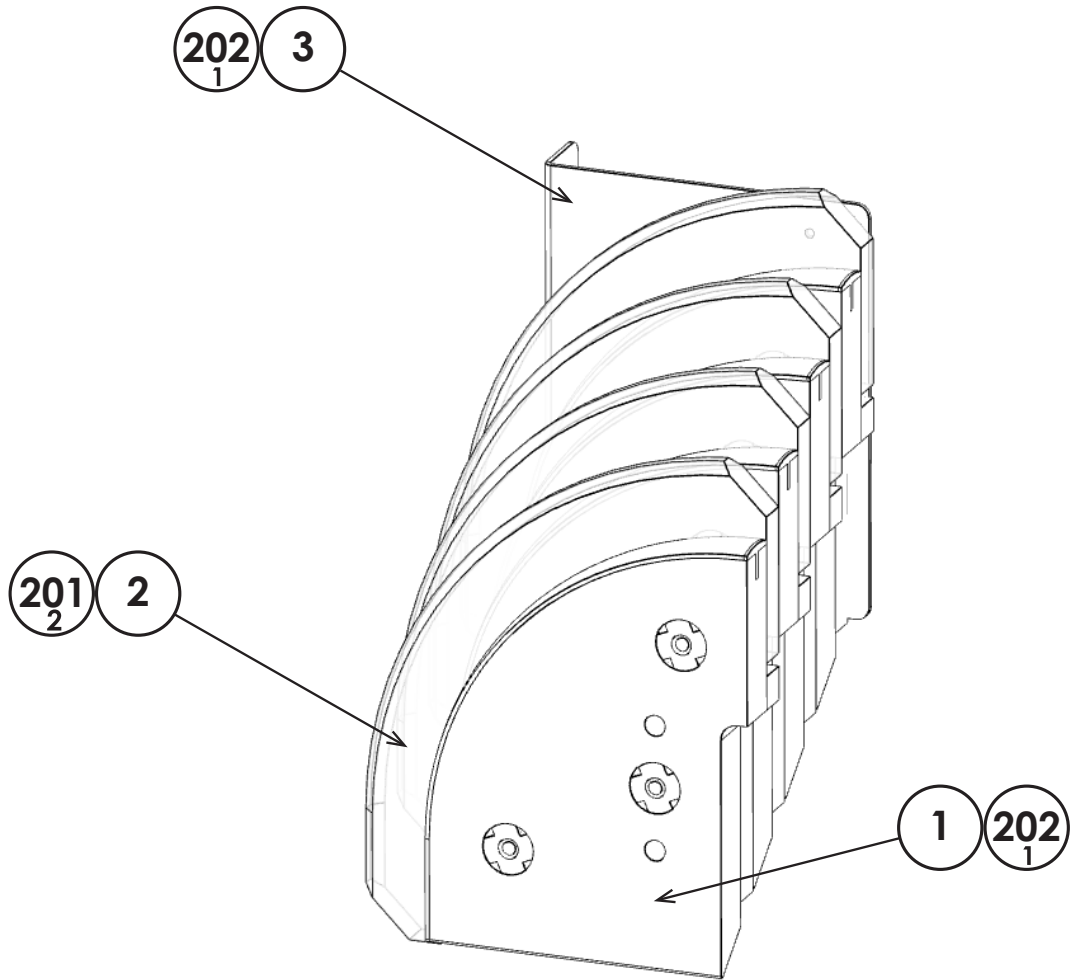
**201	029-B00425	M4X25 SKT BH PAS	18
**202	068-441616	M4 WSHR 16OD FLT PAS	10
**203	029-B00425-0B	M4X25 SKT BH BLK	4
**204	068-441616-0B	M4 WSHR 16OD FLT BLK	4
**205	029-B00625	M6X25 SKT BH PAS	18
**206	050-F00600	M6 NUT FLG SER PAS	22
**207	068-652216	M6 WSHR 22OD FLT PAS	16
**208	029-B00616	M6X16 SKT BH PAS	1
**209	029-B00440	M4X40 SKT BH PAS	1
**210	029-B00412-0B	M4X12 SKT BH BLK	4
**211	020-F00630	M6X30 SKT CSK PAS	4
**212	029-B00850-0B	M8X50 SKT BH BLK	8
**213	060-S00800-0B	M8 WSHR SPR BLK	8
**214	068-852216-0B	M8 WSHR 22OD FLT BLK	8
**215	012-P03512-F	N6X1/2" S/TAP FLG PAS	10
**216	060-S00600	M6 WSHR SPR PAS	6
**217	029-B00612	M6X12 SKT BH PAS	2
**218	029-B00420	M4X20 SKT BH PAS	4
**219	029-B00412	M4X12 SKT BH PAS	8
**220	020-000316-0Z	M3X16 SKT CAP 0Z	2
**221	050-F00400	M4 NUT FLG SER PAS	6
**222	029-B00630	M6X30 SKT BH PAS	2
**301	BI-60005UK	WH CONT PNL EXT	1
**302	BI-60017UK	WH CNTRL TO UPRIGHT	1
**303	BI-60026UK	WH POWER AUDIO BD	1
**304	600-9120-44K	WH EARTH 120MM M4 M4	3
**305	600-9080-44K	WH EARTH 800MM M4 M4	2
**306	600-9050-44K	WH EARTH 500MM M4 M4	1
**307	BI-6004UK	ASSY LED FLOOR	1

7 ASSY AC UNIT (BI-1080UK)



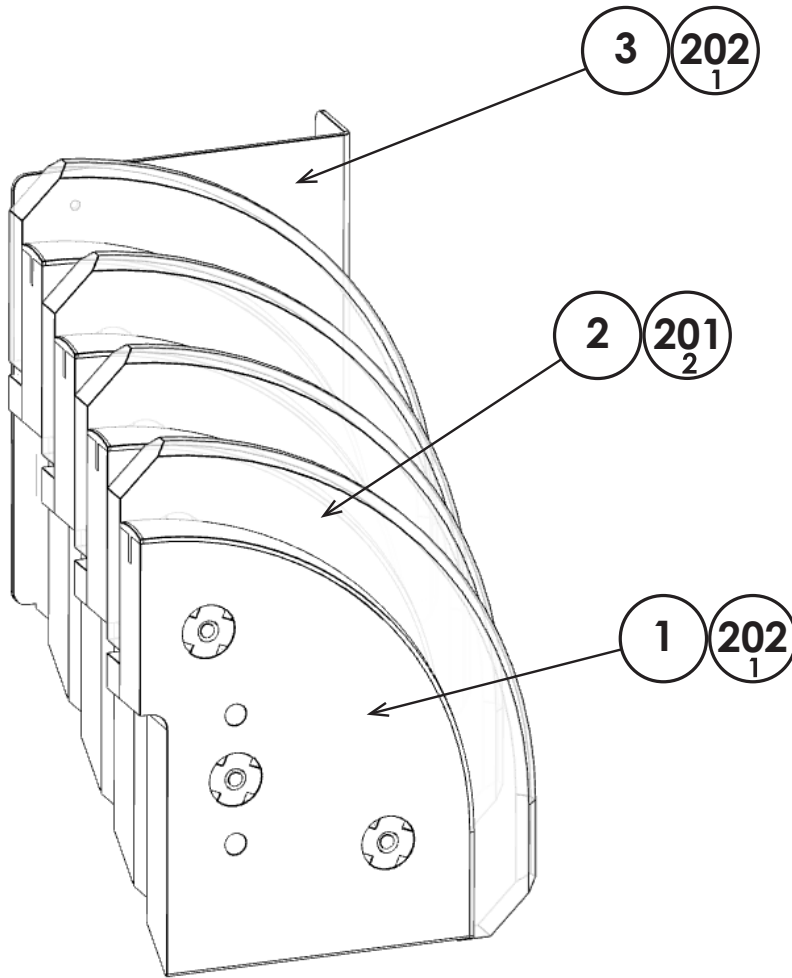
ITEM NO	PART NO	DESCRIPTION	QTY
**1	HP-1081UK	PLATE AC	1
**104	EP1389	FILTER IEC FUSED SW IP0642H2 DELTRON	1
**105	310-5029-D508	HEAT SHRINK SLEEVING 50.8DIA	8
**201	029-B00412	M4X12 SKT BH PAS	2
**202	050-F00400	M4 NUT FLG SER PAS	2
**203	060-F00400	M4 WSHR FORM A FLT PAS	2
**204	060-S00400	M4 WSHR SPR PAS	2
**301	SAI-60008UK	WH AC IN IEC FILTER UNIT	1

⑧ ASSY LED CLUSTER L (BI-1500UK)



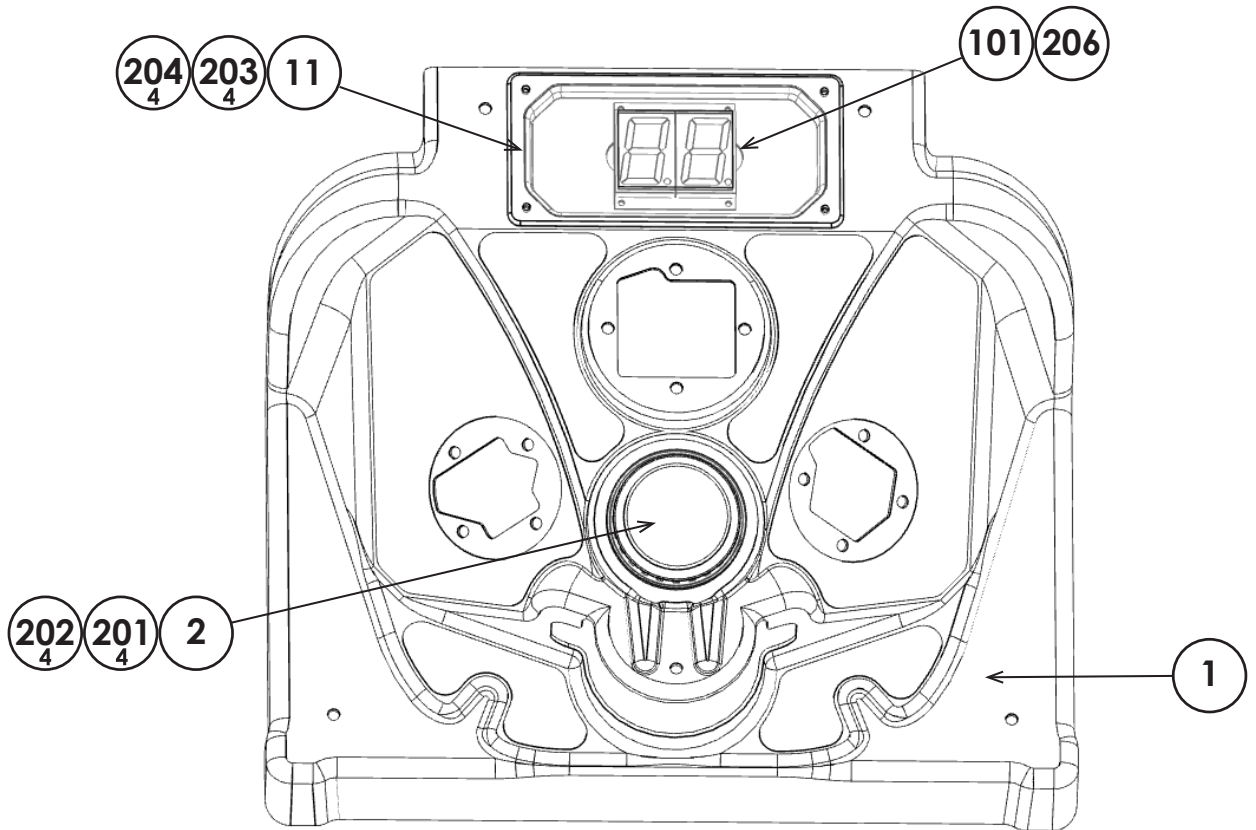
ITEM NO	PART NO	DESCRIPTION	QTY
***1	BI-1501UK	BASE LED CLUSTER L	4
***2	BI-1502UK	COVER LED CLUSTER L	4
***3	BI-1503UK	BRKT MTG LED CLUSTER	1
***201	020-F00630	M6X30 SKT CSK PAS	8
***202	029-B00650	M6X50 SKT BH PAS	4
***301	SAI-6201-0200UK	ASSY RGB LED SH	1

⑨ ASSY LED CLUSTER R (BI-1550UK)



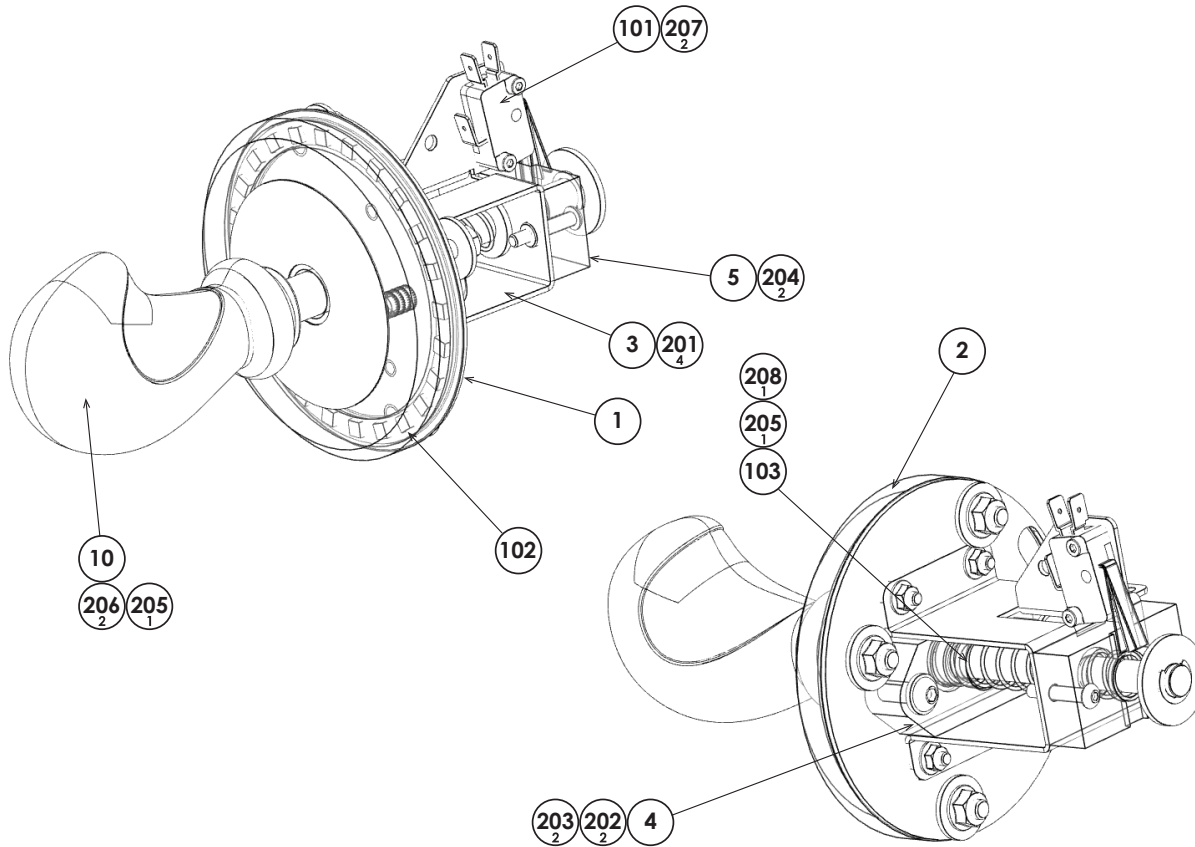
ITEM NO	PART NO	DESCRIPTION	QTY
***1	BI-1551UK	BASE LED CLUSTER R	4
***2	BI-1552UK	COVER LED CLUSTER R	4
***3	BI-1503UK	BRKT MTG LED CLUSTER	1
***201	020-F00630	M6X30 SKT CSK PAS	8
***202	029-B00650	M6X50 SKT BH PAS	4
***301	SAI-6201-0200UK	ASSY RGB LED SH	1

⑩ ASSY CTRL PANEL (BI-2100UK)



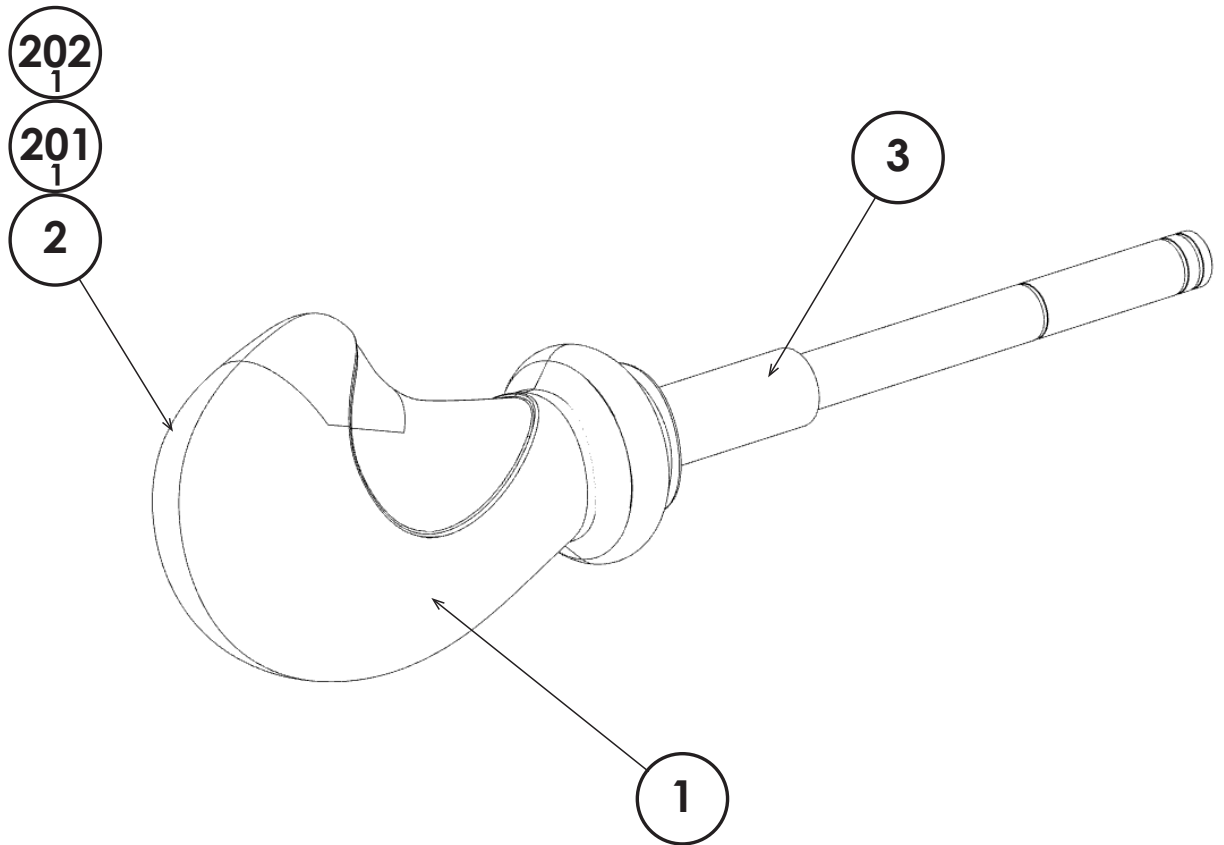
ITEM NO	PART NO	DESCRIPTION	QTY
***1	BI-2101UK	CONTROL PANEL COVER	1
***2	BI-2600UK	ASSY CTRL PUSH IT	1
***11	BI-2111UK	COVER DUAL LED	1
***101	838-0039UK	PCBA 2x7 SEG LED	1
***201	068-652216	M6 WSHR 22OD FLT PAS	4
***202	050-F00600	M6 NUT FLG SER PAS	4
***203	029-B00516	M5X16 SKT BH PAS	1
***204	050-F00500	M5 NUT FLG SER PAS	1
***206	OS1230	FOAM STRIP 2MM X 10MM	0.34M
***301	BI-60010UK	WH CAB EDGE LED	1
***302	BI-6006UK	ASSY LED CTRL PANEL	1

# 11 ASSY CTRL PULL IT (BI-2200UK)



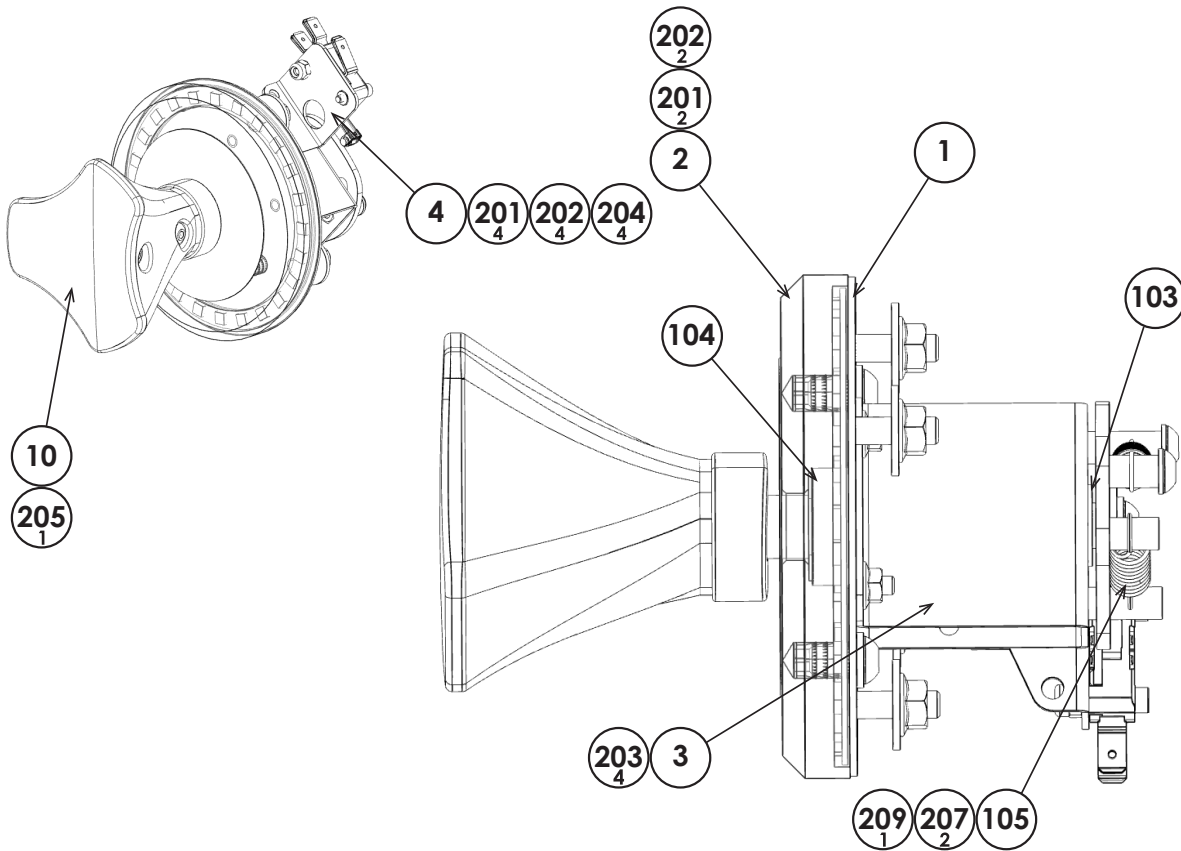
ITEM NO	PART NO	DESCRIPTION	QTY
***1	BI-2301UK	PLATE BASE TWIST IT	1
***2	BI-2202UK	BLOCK LIT PULL IT	1
***3	BI-2203UK	BRKT SWITCH MTG PULL IT	1
***4	BI-2204UK	BLOCK TOP ENDSTOP PULL IT	1
***5	BI-2205UK	BLOCK BTM ENDSTOP PULL IT	1
***10	BI-2220UK	ASSY SHAFT PULL IT	1
***101	EP1517	SW MICRO LS/LEV RS 804-6203	1
***102	390-2512-106RGB	RING LED 106MM RGB M10624	1
***103	125-0010UK	SPRING COMP PULL IT RETURN	1
***201	050-F00400	M4 NUT FLG SER PAS	4
***202	029-B00625	M6X25 SKT BH PAS	2
***203	060-F00600	M6 WSHR FORM A FLT PAS	2
***204	029-B00425	M4X25 SKT BH PAS	2
***205	065-E00700	E RING 7MM	3
***206	068-A52820	M10 WSHR 28OD FLT PAS	1
***207	020-000316-0Z	M3X16 SKT CAP 0Z	2
***208	060-F01000	M10 WSHR FORM A FLT PAS	1
***209	060-S00600	M6 WSHR SPR PAS	2
***210	060-S00400	M4 WSHR SPR PAS	2
***301	BI-60008UK	WH TWIST/PULL CNTRL	1

12 ASSY SHAFT PULL IT (BI-2220UK)



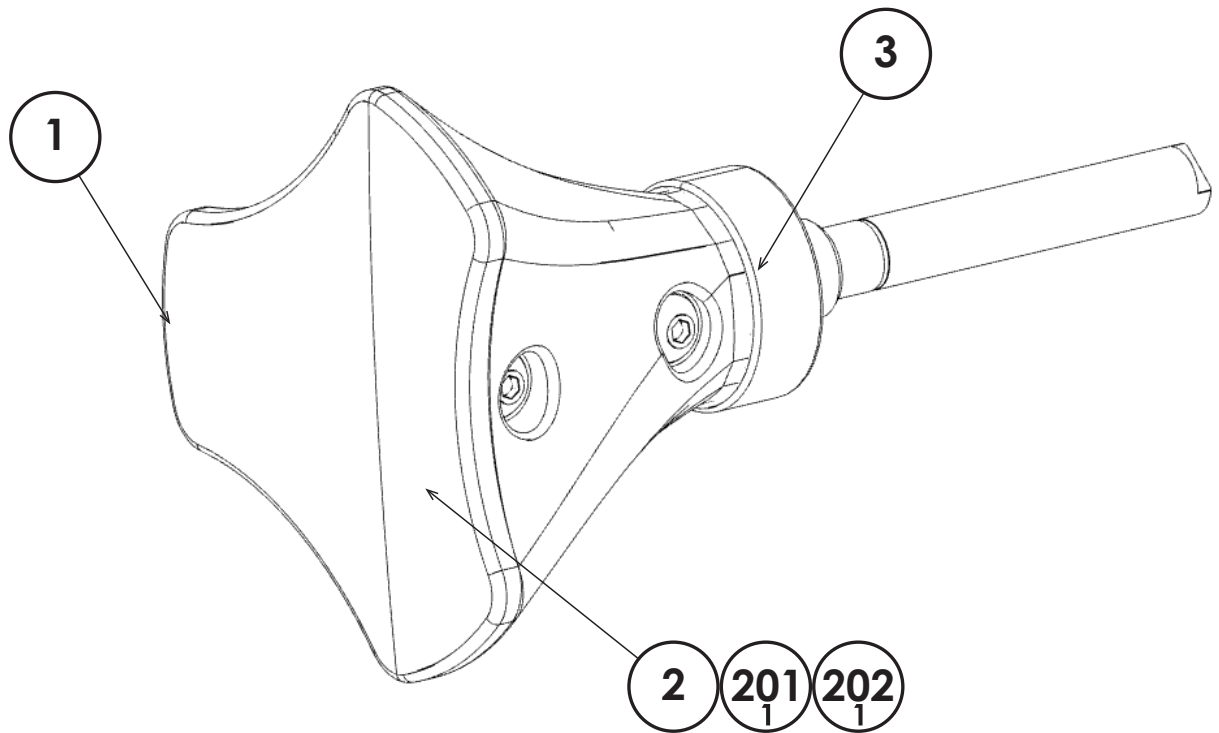
ITEM NO	PART NO	DESCRIPTION	QTY
****1	BI-2221UK	MOULD PULL IT FRONT	1
****2	BI-2222UK	MOULD PULL IT BACK	1
****3	BI-2223UK	SHAFT PULL IT	1
****201	029-B00525	M5X25 SKT BH PAS	1
****202	029-B00530	M5X30 SKT BH PAS	1

13 ASSY CTRL TWIST IT (BI-2300UK)



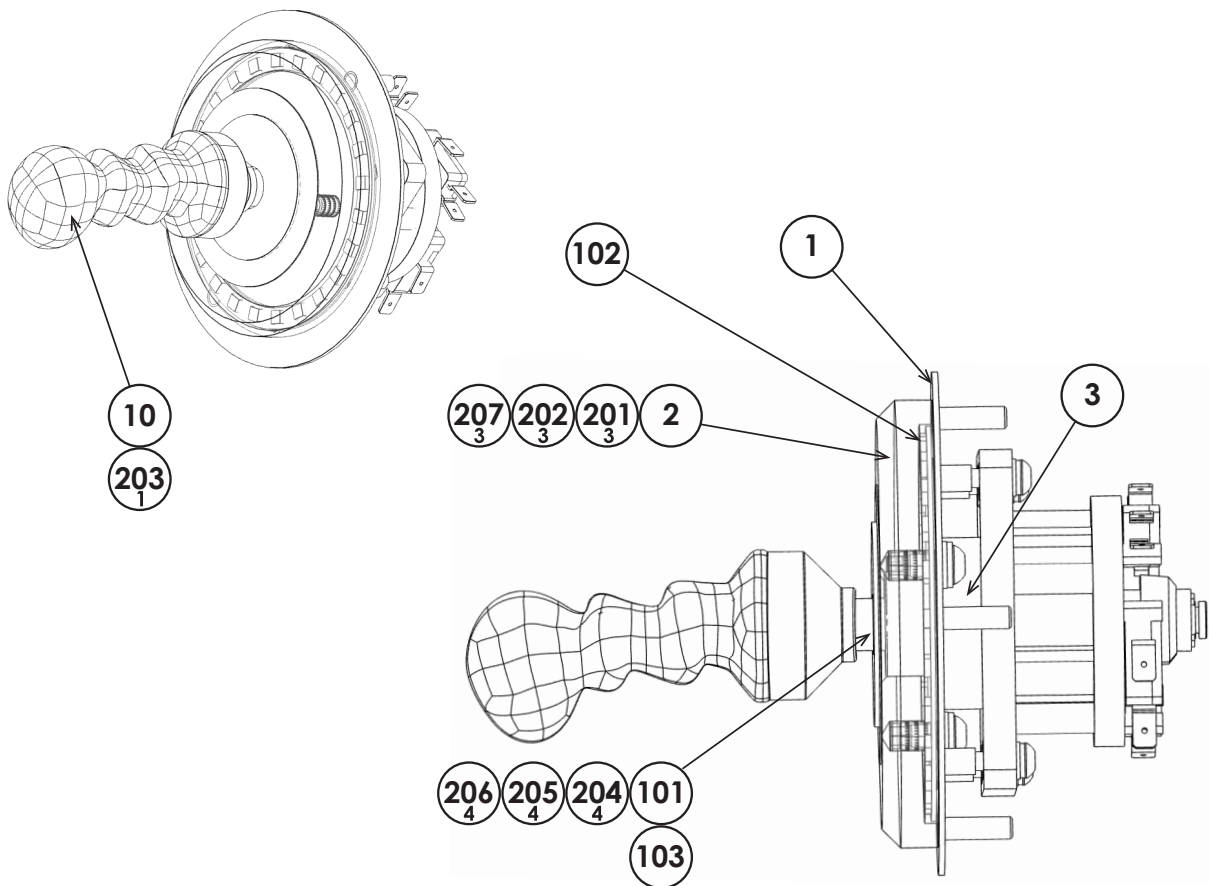
ITEM NO	PART NO	DESCRIPTION	QTY
***1	BI-2301UK	PLATE BASE TWIST IT	1
***2	BI-2302UK	BLOCK LIT TWIST IT	1
***3	BI-2303XUK	BRKT SWITCH MTG TWIST IT	1
***4	BI-2304XUK	PLATE CAM TWIST IT	1
***10	BI-2320UK	ASSY SHAFT TWIST IT	1
***101	EP1520	SW MICRO ROLLER LEVER 159-4449	1
***102	390-2512-106RGB	RING LED 106MM RGB M10624	1
***103	100-0001UK	FLANGED BEARING IGUS JFM-1012-09	1
***104	100-0006UK	BEARING DEEP GROOVE 10MM BORE SKF 60002Z	1
***105	125-0012UK	SPRING EXT TWIST IT RETURN	2
***201	029-B00612	M6X12 SKT BH PAS	3
***202	060-S00600	M6 WSHR SPR PAS	3
***203	050-F00400	M4 NUT FLG SER PAS	4
***204	060-F00600	M6 WSHR FORM A FLT PAS	1
***205	065-E00700	E RING 7MM	1
***206	020-000316-0Z	M3X16 SKT CAP 0Z	2
***207	029-B00512	M5X12 SKT BH PAS	4
***209	068-751815-PN	M7 WSHR 18OD FLT NYLON	2
***210	050-F00300	M3 NUT FLG SER PAS	1
***301	BI-60008UK	WH TWIST/PULL CNTRL	1

14 ASSY SHAFT TWIST IT (BI-2320UK)



ITEM NO	PART NO	DESCRIPTION	QTY
****1	BI-2321UK	MOULD TWIST IT FRONT	1
****2	BI-2322UK	MOULD TWIST IT BACK	1
****3	BI-2323UK	SHAFT TWIST IT	1
****201	029-B00525	M5X25 SKT BH PAS	1
****202	029-B00520	M5X20 SKT BH PAS	1

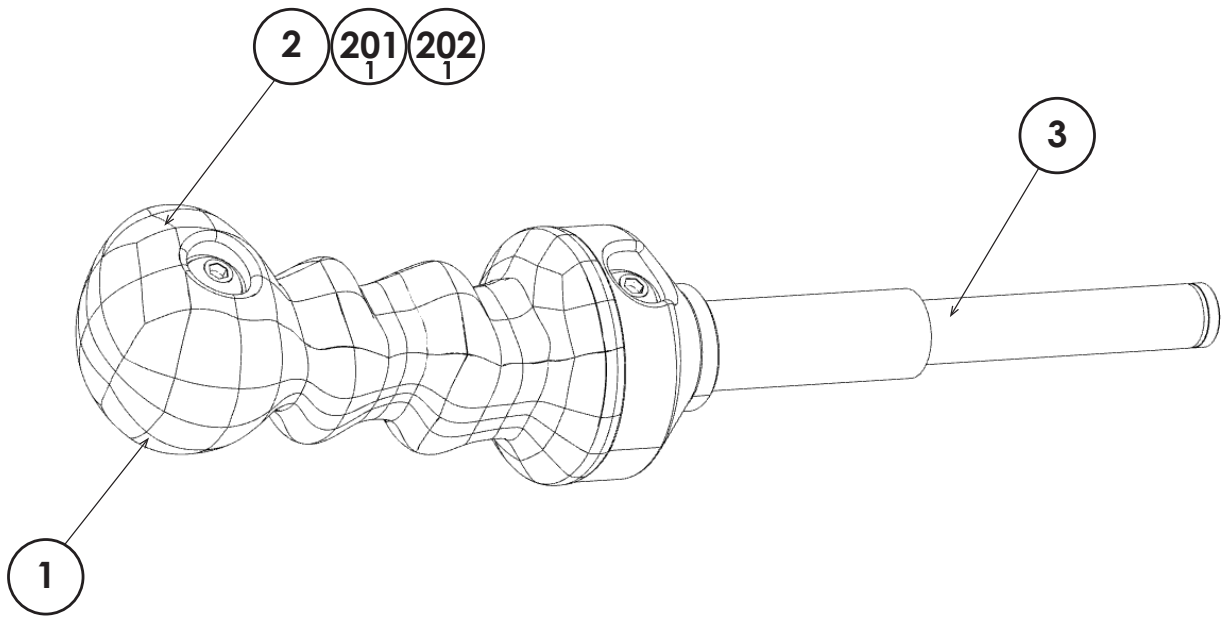
15 ASSY CTRL FLICK IT (BI-2400UK)



ITEM NO	PART NO	DESCRIPTION	QTY
***1	BI-2401UK	PLATE BASE FLICK IT	1
***2	BI-2402UK	BLOCK LIT FLICK IT	1
***3	BI-2403UK	GROMMET JOYSTICK	1
***10	BI-2420UK	ASSY SHAFT FLICK IT	1
***101	601-0014UK	JOYSTICK 8WAY 22-1076	1
***102	390-2512-106RGB	RING LED 106MM RGB M10624	1
***103	144-0001UK	WSHR EURO JOYSTICK GREEN L-C-03-040313	1
***201	029-B00612	M6X12 SKT BH PAS	3
***202	060-S00600	M6 WSHR SPR PAS	3
***203	065-E00700	E RING 7MM	1
***204	029-B00516	M5X16 SKT BH PAS	4
***205	060-S00500	M5 WSHR SPR PAS	4
***206	060-F00500	M5 WSHR FORM A FLT PAS	8
***207	060-F00600	M6 WSHR FORM A FLT PAS	3
***301	BI-60009UK	WH FLICK CNTRL	1

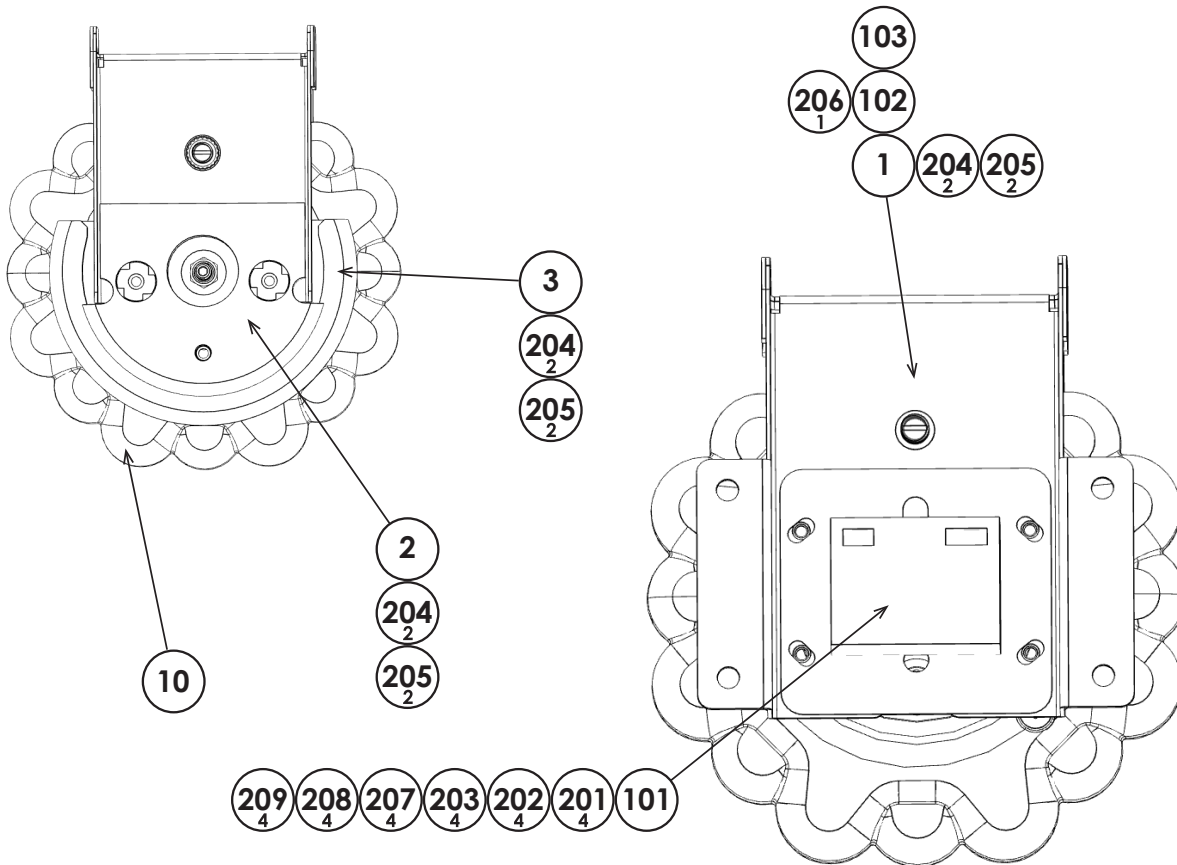
16 ASSY SHAFT FLICK IT (BI-2420UK)

17 PARTS LIST



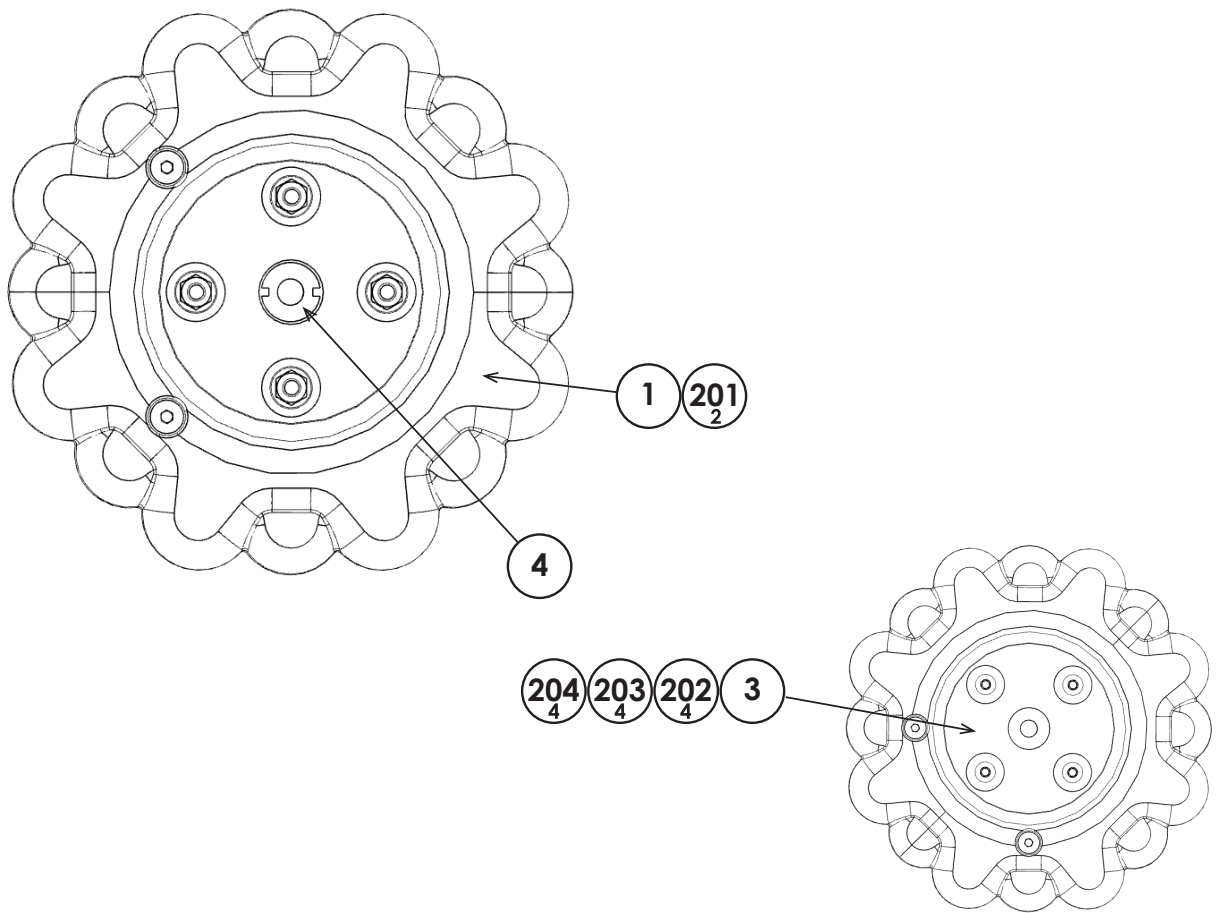
ITEM NO	PART NO	DESCRIPTION	QTY
****1	BI-2421UK	MOULD FLICK IT FRONT	1
****2	BI-2422UK	MOULD FLICK IT BACK	1
****3	BI-2423UK	SHAFT FLICK IT	1
****201	029-B00525	M5X25 SKT BH PAS	1
****202	029-B00520	M5X20 SKT BH PAS	1

17 ASSY CTRL SPIN IT (BI-2500UK)



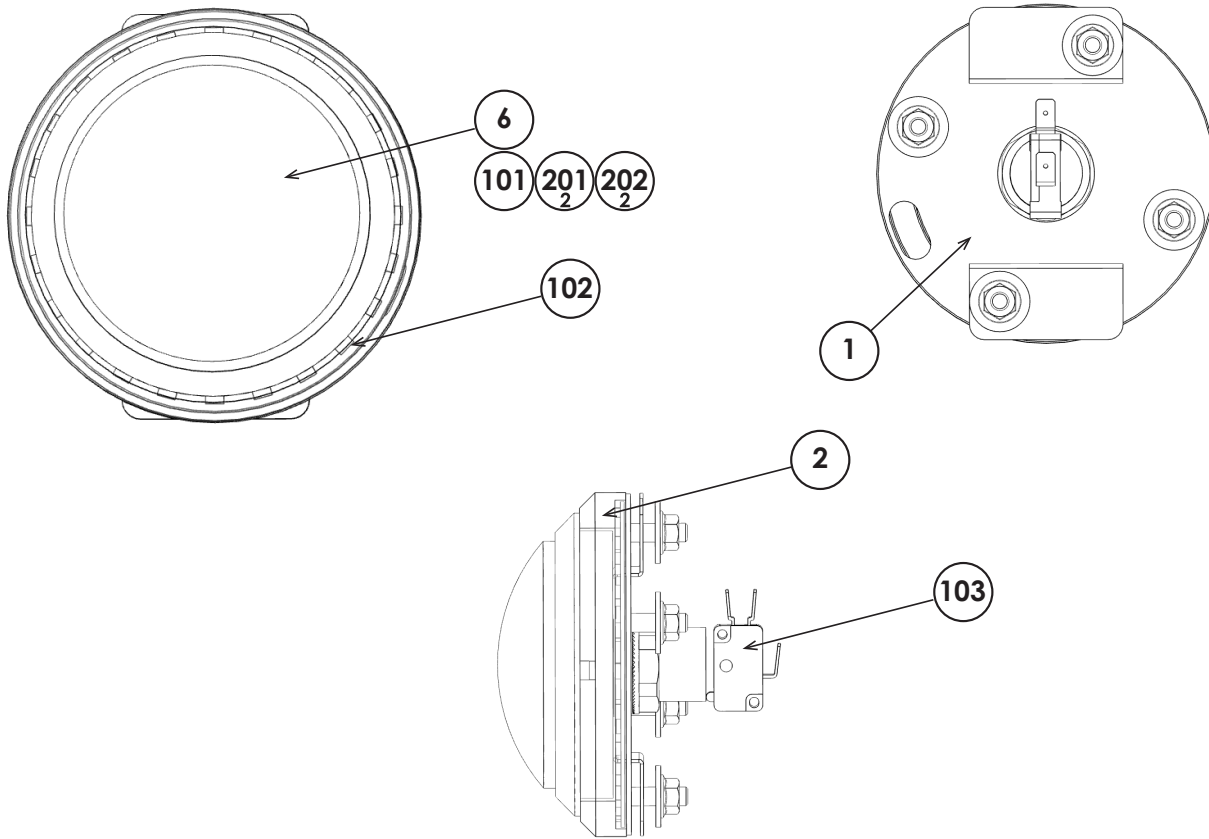
ITEM NO	PART NO	DESCRIPTION	QTY
***1	BI-2501UK	BRKT SPIN IT SUPP	1
***2	BI-2502UK	BLOCK LIGHT SPIN IT	1
***3	BI-2503UK	BLOCK TOP SPIN IT	1
***10	BI-2520UK	ASSY MOULD SPIN IT	1
***101	601-0011UK	CONTROLLER BL SPINNER	1
***102	028-0001UK	M8X20 SET SCR OZ NYLON TIP	1
***103	118-0001UK	M8X22 PLUNGER SPRING W/POM PIN	1
***201	060-F00400	M4 WSHR FORM A FLT PAS	4
***202	050-F00400	M4 NUT FLG SER PAS	4
***203	029-B00408	M4X8 SKT BH PAS	4
***204	020-F00620	M6X20 SKT CSK PAS	2
***205	000-F00412	M4X12 MSCR CSK PAS	2
***206	050-F00800	M8 NUT FLG SER PAS	1
***207	029-B00512	M5X12 SKT BH PAS	4
***208	060-S00500	M5 WSHR SPR PAS	4
***209	060-F00500	M5 WSHR FORM A FLT PAS	4
***301	BI-60007UK	WH SPIN CNTRL	1
***302	SAI-6101-0220UK	ASSY RGB LED LG	1

18 ASSY MOULD SPIN IT (BI-2520UK)



ITEM NO	PART NO	DESCRIPTION	QTY
****1	BI-2521UK	MOULD SPIN IT	2
****3	BI-2523UK	PLATE SPIN IT	1
****4	BI-2524UK	PLATE SPIN IT OS WASHER	1
****201	020-F00620	M6X20 SKT CSK PAS	4
****202	029-B00625	M6X25 SKT BH PAS	4
****203	068-652016	M6 WSHR 20OD FLT PAS	4
****204	050-F00600	M6 NUT FLG SER PAS	4

19 ASSY CTRL PUSH IT (BI-2600UK)

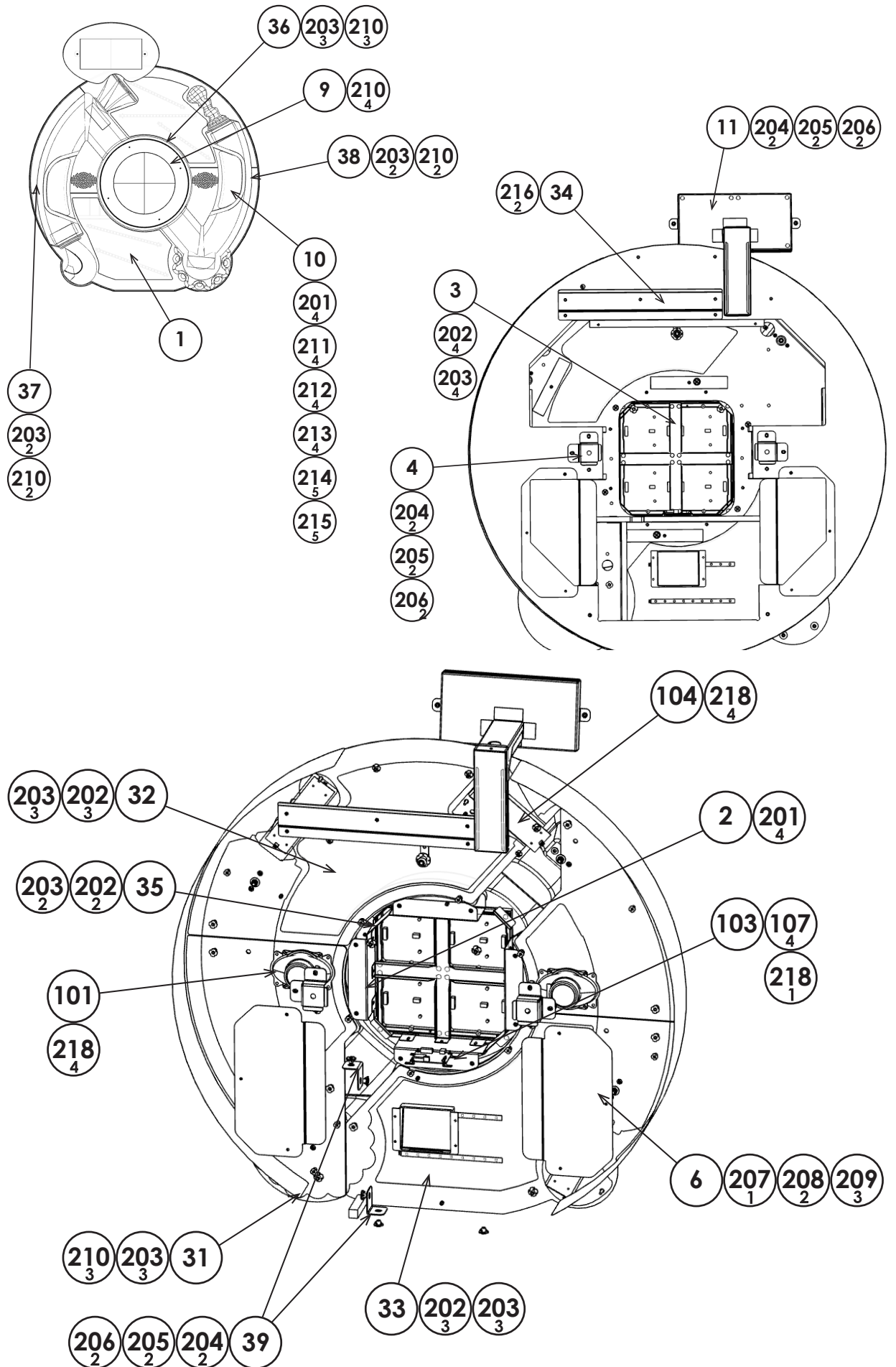


ITEM NO	PART NO	DESCRIPTION	QTY
****1	BI-2601UK	PLATE BASE PUSH IT	1
****2	BI-2602UK	BLOCK LIT PUSH IT	1
****6	BI-2611UK	INSERT PUSH IT	1
****101	509-6003-CUK	BTN JUMBO CLEAR H75-4002-11187	1
****102	390-2512-106RGB	RING LED 106MM RGB M10624	1
****103	509-6003-C-RGB	LAMP HOLDER RGB LED 12V 75-0019-00	1
****201	000-P00308	M3X8 MSCR PAN PAS	2
****202	060-S00300	M3 WSHR SPR PAS	2
****301	BI-60006UK	WH BOP CNTRL	1

20 ASSY MAIN DISPLAY (BI-3000UK)

(1/3)

17 PARTS LIST



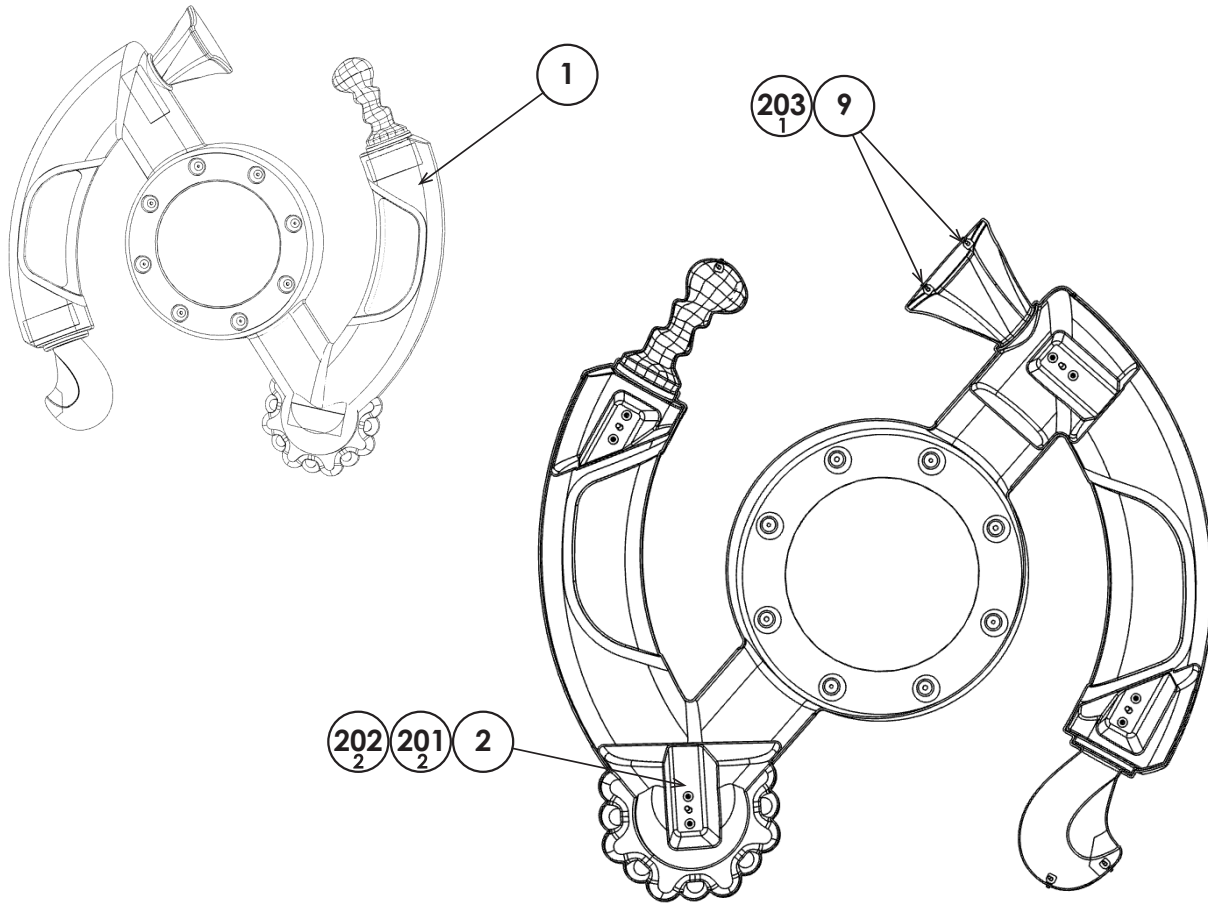
ITEM NO	PART NO	DESCRIPTION	QTY
***1	BI-3002UK	ASSY BOX DISPLAY	1
***2	BI-3003UK	BRKT VF SUPP	2
***3	BI-3004UK	BRKT MATRIX SUPP	1
***4	BI-3005UK	BRKT END STRUT	2
***6	BI-3007UK	PLATE COVER BACK BOX	2
***9	BI-3009UK	COVER VF CENTRE	1
***10	BI-3010UK	ASSY BOP IT	1
***11	BI-3100UK	ASSY BONUS BOX	1
***31	BI-3031UK	BLOCK SPIN IT LED MTG	1
***32	BI-3032UK	PLATE LED LIGHT TOP	1
***33	BI-3033UK	PLATE LED LIGHT BTM	1
***34	BI-3034UK	BRKT BILLBOARD LOCATE	1
***35	BI-3035UK	BRKT MATRIX SUPP OUTER	4
***36	BI-3036UK	CURVE LIGHT VF INNER	2
***37	BI-3037UK	CURVE LIGHT VF OUTER L	1
***38	BI-3038UK	CURVE LIGHT VF OUTER R	1
***39	BI-3039UK	BRKT BOX DISPLAY SUPPORT	2
***101	130-04030-E	SPKR ELIP 4OHM 30W VIS DX4X6P	1
***102	390-2805-3232P5	LED MATRIX P5-221-32*32	4
***103	838-0061UK	PCBA - LED MATRIX DRIVER ELMTRI	1
***104	838-0052UK	PCBA - LED MATRIX RGB	3
***105	280-A01264-WX	ROUTER TWIST D12 SO6.4 WOOD XL	1
***106	280-A02064-WX	ROUTER TWIST D20 SO6.4 WOOD XL	1
***107	OS1011	PCB FEET RICHCO LCBS-L-5-01	4
***108	OS1230	FOAM STRIP 2MM X 10MM	0.44M
***109	601-0460	CABLE TIE NYLON 100MM	18
***110	OS1247	ALUMINIUM STICKY CLIP ASK-3 475-198	2
***201	029-B00625	M6X25 SKT BH PAS	15
***202	029-B00412	M4X12 SKT BH PAS	18
***203	068-441616	M4 WSHR 16OD FLT PAS	31
***204	029-B00825-0B	M8X25 SKT BH BLK	9
***205	060-S00800-0B	M8 WSHR SPR BLK	9
***206	068-852216-0B	M8 WSHR 22OD FLT BLK	9
***207	029-B00412-0B	M4X12 SKT BH BLK	2
***208	029-B00416-0B	M4X16 SKT BH BLK	4
***209	068-441616-0B	M4 WSHR 16OD FLT BLK	6
***210	029-B00440-0B	M4X40 SKT BH BLK	17
***211	068-852216	M8 WSHR 22OD FLT PAS	4
***212	050-F00800	M8 NUT FLG SER PAS	4
***213	068-652216	M6 WSHR 22OD FLT PAS	4
***214	068-552016-0B	M5 WSHR 20OD FLT BLK	5
***215	050-F00500	M5 NUT FLG SER PAS	5
***216	029-B00625-0B	M6X25 SKT BH BLK	2
***217	029-B00640	M6X40 SKT BH PAS	5
***218	012-P03512-FB	N6X1/2" S/TAP FLG BLK	24

20 ASSY MAIN DISPLAY (BI-3000UK)

(3/3)

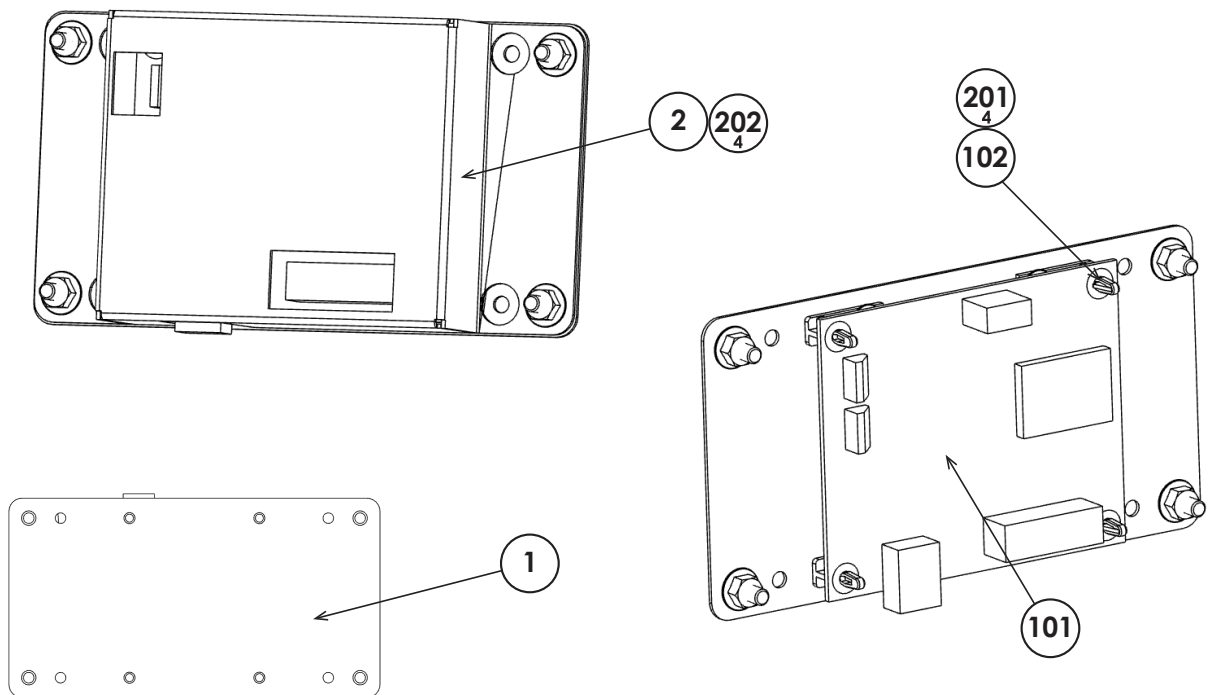
ITEM NO	PART NO	DESCRIPTION	QTY
***301	BI-60018UK	WH CAN ELMTRI	1
***302	BI-60019UK	WH DC DIST UPPER	1
***303	BI-60025UK	WH PCB MATRIX LINK	3
***304	SAI-6101-0430UK	ASSY RGB LED LG	1
***305	SAI-6603-0250UK	ASSY WHT LED SH	2
***307	SAI-6007-0100UK	WH RIBBON CABLE 100 16P	2
***308	SAI-6007-0550UK	WH RIBBON CABLE 550 16P	1
***309	SAI-6007-0250UK	WH RIBBON CABLE 0250 16P	1
***310	MI-60017UK	WH SPEAKERS A	2
***311	BI-60027UK	WH LED VAC DIST	1
***312	SAI-6201-0630UK	ASSY RGB LED SH	2
***312	SAI-6208-0630UK	ASSY RGB LED SH	2
***313	SAI-6108-0715UK	ASSY RGB LED LG	1
***314	SAI-6108-0625UK	ASSY RGB LED LG	1
***315	SAI-6007-1300UK	WH RIBBON CABLE 130016P	1

21 ASSY BOP IT (BI-3010UK)



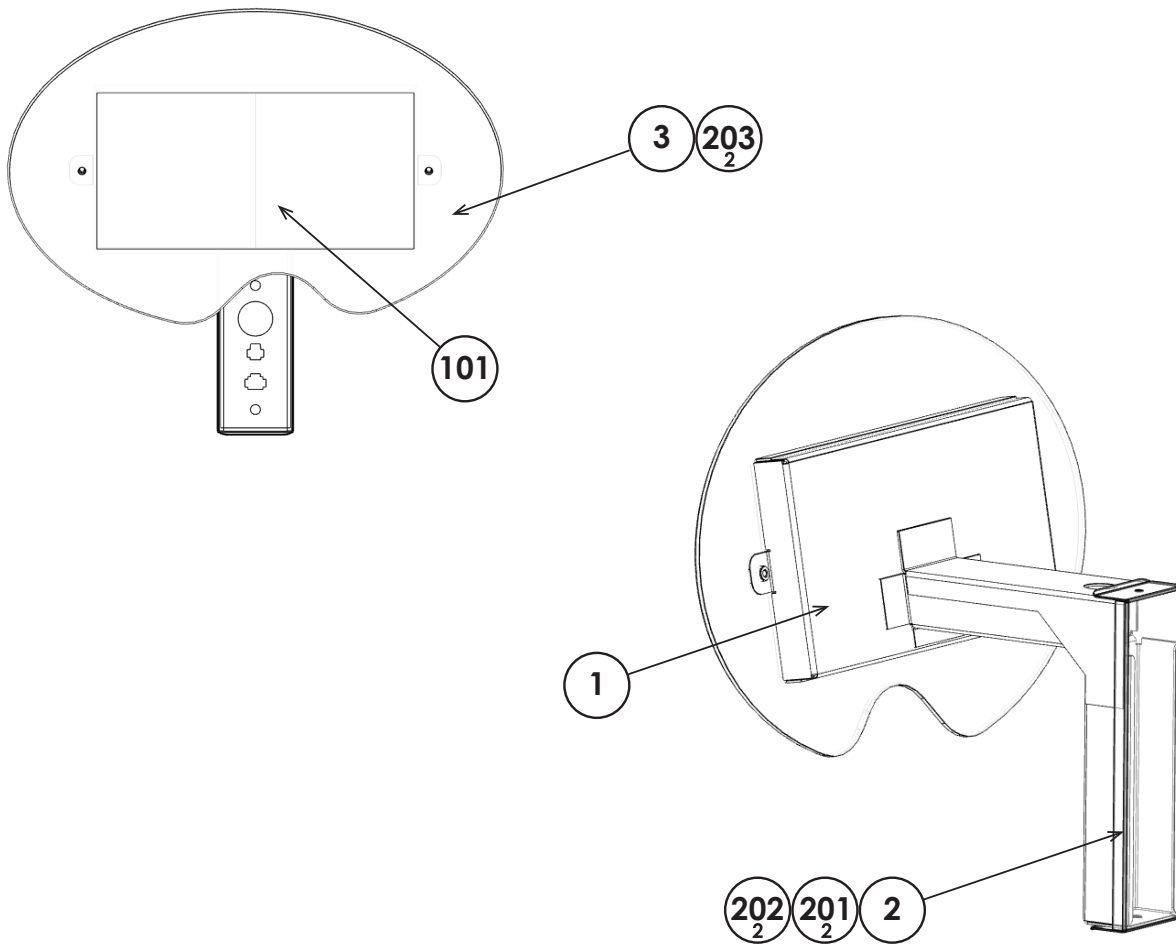
ITEM NO	PART NO	DESCRIPTION	QTY
****1	BI-3011UK	ASSY VF BOP IT	1
****2	BI-3012UK	BRKT VF ATTACH	4
****9	BI-3019UK	BRKT VF ATTACH SECONDARY	5
****201	029-B00412	M4X12 SKT BH PAS	8
****202	068-441616	M4 WSHR 16OD FLT PAS	8
****203	029-B00308	M3X8 SKT BH PAS	5

22 ASSY ELMTRI ENCLOSURE (BI-3040UK)



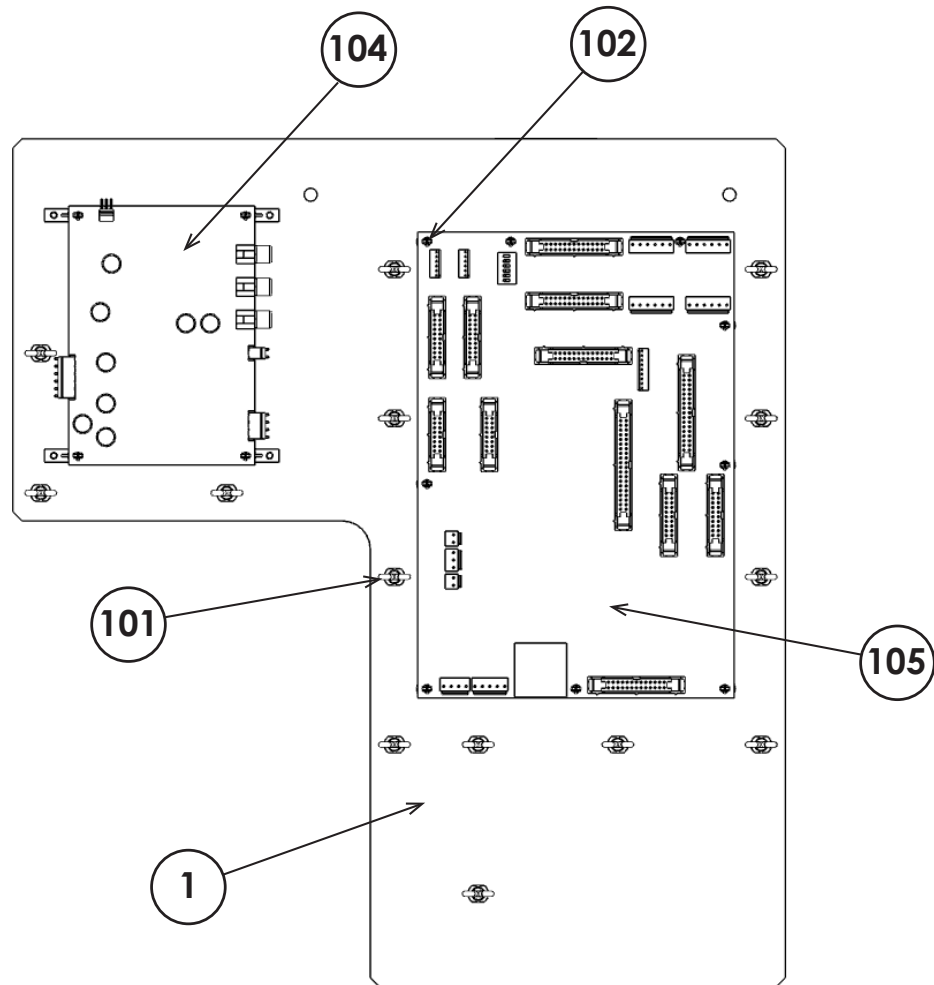
ITEM NO	PART NO	DESCRIPTION	QTY
****1	BI-3041UK	PLATE ELMTRI BASE	1
****2	BI-3042UK	COVER ELMTRI	1
****101	838-0061UK	PCBA - LED MATRIX DRIVER ELMTRI	1
****102	OS1011	PCB FEET RICHCO LCBS-L-5-01	4
****201	050-F00300	M3 NUT FLG SER PAS	4
****202	050-F00400	M4 NUT FLG SER PAS	4

23 ASSY BONUS BOX (BI-3100UK)



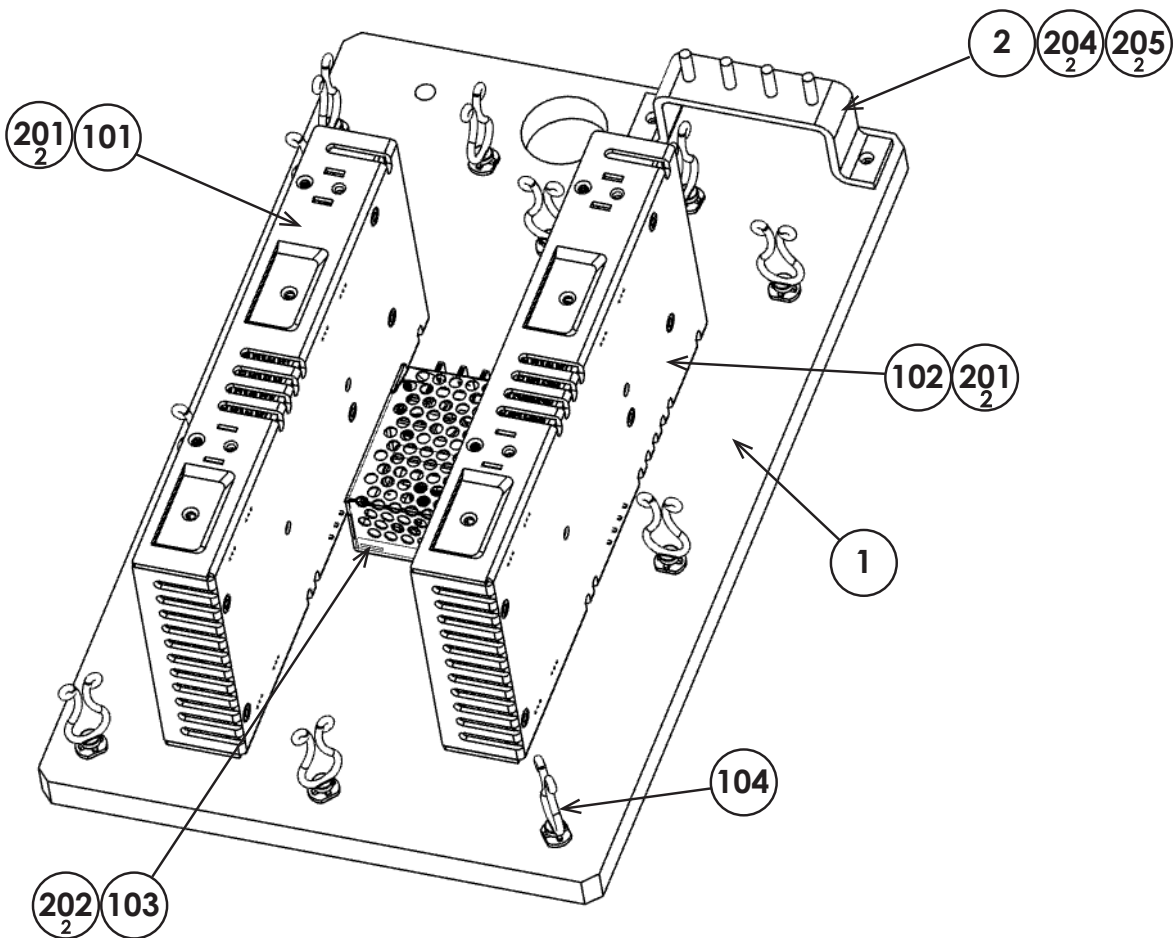
ITEM NO	PART NO	DESCRIPTION	QTY
****1	BI-3101UK	BOX LED MATRIX MTG	1
****2	BI-3102UK	COVER BACK BOX	1
****3	BI-3103UK	PLATE BONUS BOX	1
****101	390-2805-3232P5	LED MATRIX P5-221-32*32	2
****201	029-B00412	M4X12 SKT BH PAS	2
****202	068-441616	M4 WSHR 16OD FLT PAS	2
****203	029-B00612-0B	M6X12 SKT BH BLK	2
****301	BI-60021UK	WH BONUS MTX DC	1
****302	SAI-6007-0100UK	WH RIBBON CABLE 100 16P	1
****303	SAI-6008-0400UK	WH RIBBON CABLE M-F 400 16P	1

24 ASSY ELEC (BI-4000UK)



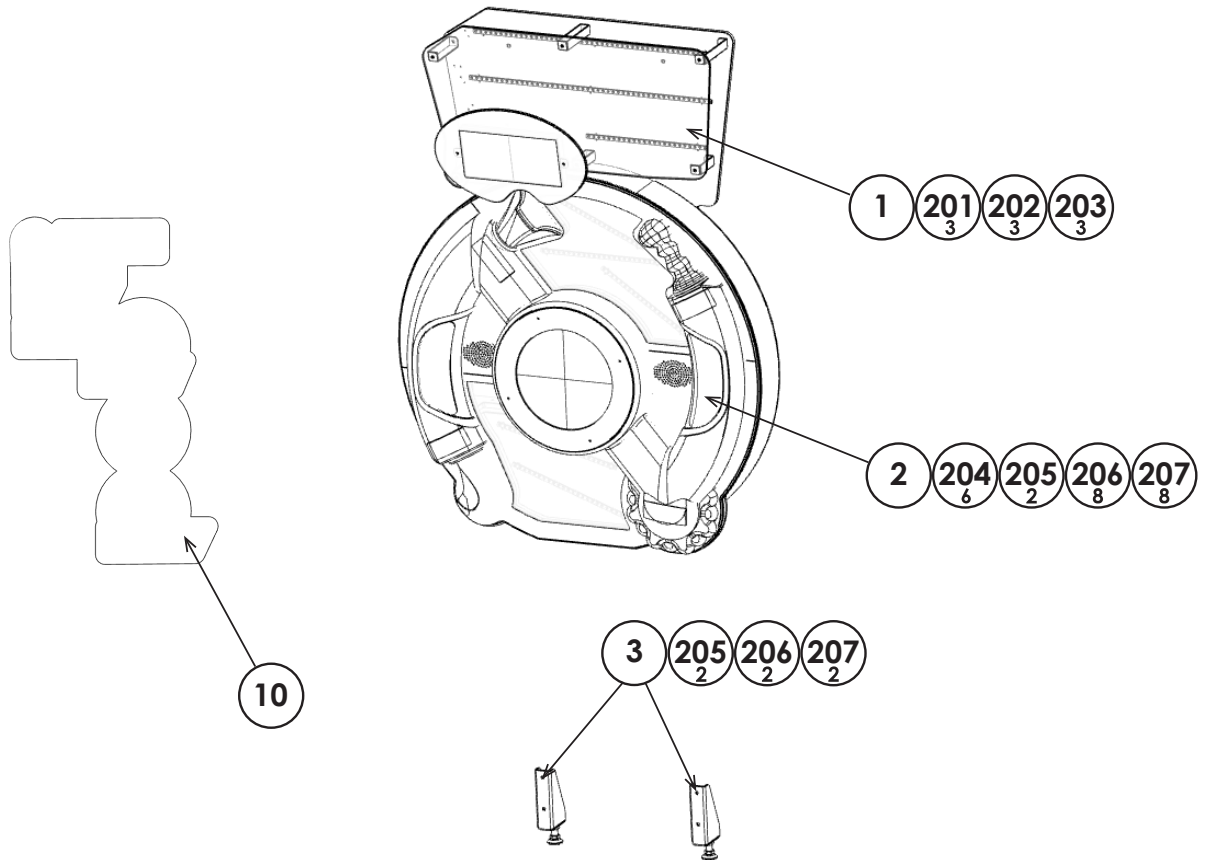
ITEM NO	PART NO	DESCRIPTION	QTY
**1	BI-4001UK	BOARD ELEC	1
**101	280-A01264-WX	ROUTER TWIST D12 SO6.4 WOOD X	12
**102	280-L00640-WX	STANDOFF 6MM WOOD XL	13
**104	838-0062UK	AUDIO BOARD HG2105	1
**105	838-0030UK	PCBA RED TWO	1
**109	EP1518	SD CARD MICRO 16GB FARNELL 3498606	1
**110	EP1435	SD CARD 2GB 758-2552	1
***201	012-P03512-F	N6X1/2" S/TAP FLG PAS	4
**301	BI-60003UK	WH DC CAN RED2	1
**302	BI-60004UK	WH I/O RED2	1
**303	BI-60020UK	WH AUDIO RS323	1
**304	600-7155-0100UK	CA AUDIO 3.5MM JACK	1

25 ASSY PSU (BI-4100UK)



ITEM NO	PART NO	DESCRIPTION	QTY
**1	BI-4101UK	BOARD PSU	1
**2	CFB-4003-01UK	EARTH TERMINAL PLATE	1
**101	400-150-05-04	PSU 5VDC 150W RSP-150-05	1
**102	400-150-12-04	PSU 12VDC150W RSP-150-12	1
**103	400-015-005-03	PSU 5VDC 15W MW RS-15-5	1
**104	280-A01264-WX	ROUTER TWIST D12 SO6.4 WOOD XL	11
**201	000-F00416	M4X16 MSCR CSK PAS	4
**202	020-000308-0Z	M3X8 SKT CAP 0Z	2
**203	060-F00300	M3 WSHR FORM A FLT PAS	2
**204	012-P03512-F	N6X1/2" S/TAP FLG PAS	8
**205	050-F00400	M4 FLG NUT	2
**301	BI-60001UK	WH AC DIST	1
**302	BI-60002UK	WH DC DIST B	1
**303	BI-60016UK	WH DC A	1

26 ASSY INSTALL KIT BI (BI-INST)



ITEM NO	PART NO	DESCRIPTION	QTY
**1	BI-0500UK	ASSY BILLBOARD	1
**2	BI-3000UK	ASSY MAIN DISPLAY	1
**3	BI-0100UK	ASSY STABILIZER BACK	2
**4	BI-0002UK	BRKT TRANSIT MAIN DISPLAY	2
**10	BI-3029UK	COVER QUADRANT TOP R ADDENDUM	1
**101	LM1227	UK MAINS LEAD 10A WITH PLUG	1
**102	LM1246	EUROLEAD 10A EUROPEAN SOCKET	1
**103	LM1500UK	MAINS LEAD USA/IEC H80-1205-00	1
**201	029-B00640-0B	M6X40 SKT BH BLK	3
**202	029-B00640	M6X40 SKT BH PAS	3
**203	068-652216	M6 WSHR 22OD FLT PAS	7
**204	029-B00850-0B	M8X50 SKT BH BLK	6
**205	029-B00825-0B	M8X25 SKT BH BLK	8
**206	060-S00800-0B	M8 WSHR SPR BLK	14
**207	068-852216-0B	M8 WSHR 22OD FLT BLK	14
**208	029-B00625	M6X25 SKT BH PAS	4
**209	060-S00600	M6 WSHR SPR PAS	4
**210	012-P03512-FB	N6X1/2" S/TAP FLG BLK	2
**301	RND-60055UK	WH COIN MECHANICAL	1