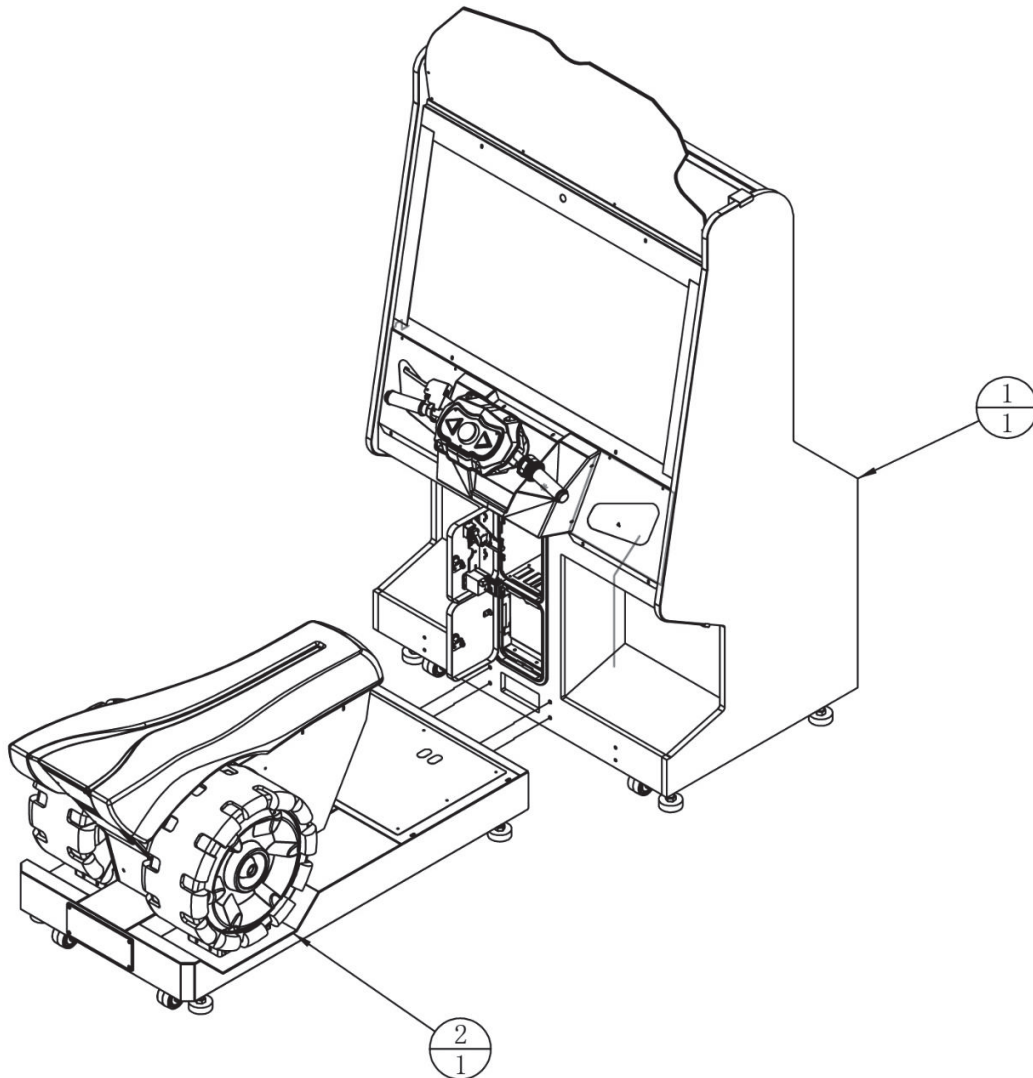


7. Assembly

7.1 Assembly Tree Diagram

ATV2-0000000 Final assembly	ATV2-0100000 Monitor frame Assembly	ATV2-0101000 Monitor frame assembly
		ATV2-0102000 Steering assembly
		ATV2-0103000 Handle assembly
		ATV2-0104000 PCB assembly
		ATV2-0105000 Monitor assembly
		ATV2-0106000 Glass assembly
		ATV2-0107000 Control LED assembly
		ATV2-0108000 Speaker assembly
		ATV2-0109000 AC power box assembly
		ATV2-0110000 Monitor door assembly
		ATV2-0111000 PCB door assembly
		ATV2-0112000 Main door assembly
		ATV2-0113000 Camera assembly
		ATV2-0114000 Light box LED assembly
		ATV2-0115000 Transformer assembly
		ATV-0112000 Console button assembly
		ATV-0206000 PC assembly
		ATV-0210000 Service assembly
		ATV-0214000 Fan assembly
	ATV2-0200000 Seat Assembly	ATV2-0201000 Seat platform assembly
		ATV2-0202000 Tail light assembly
		ATV2-0203000 Woofer assembly
		ATV2-0204000 Floor LED assembly
		ATV2-0205000 Cushion assembly

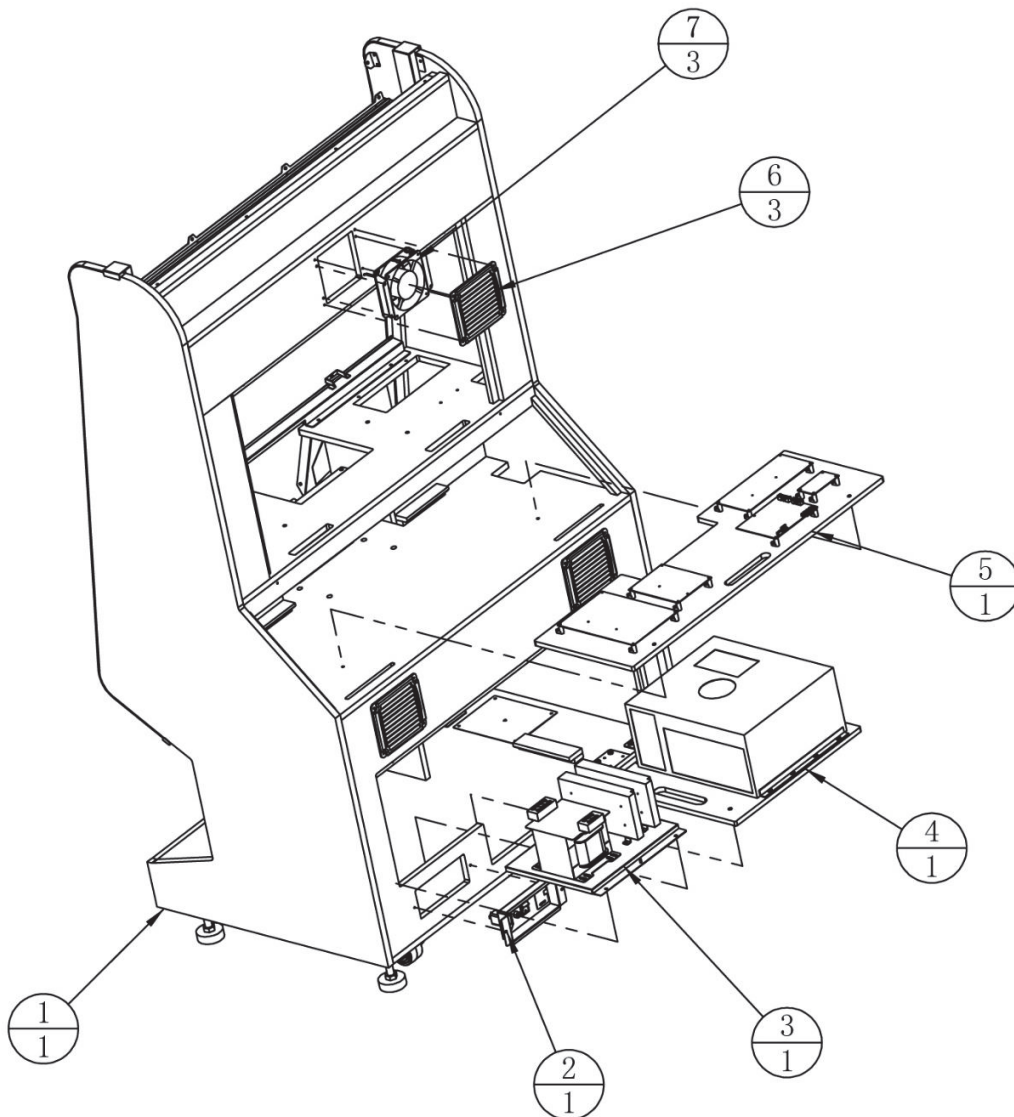
7.2 General Assembly Diagram



2	ATV2-0200000	Seat Assembly		1	
1	ATV2-0100000	Monitor frame Assembly		1	
No.	Drawing No.	Name	Specification	Qty	Other

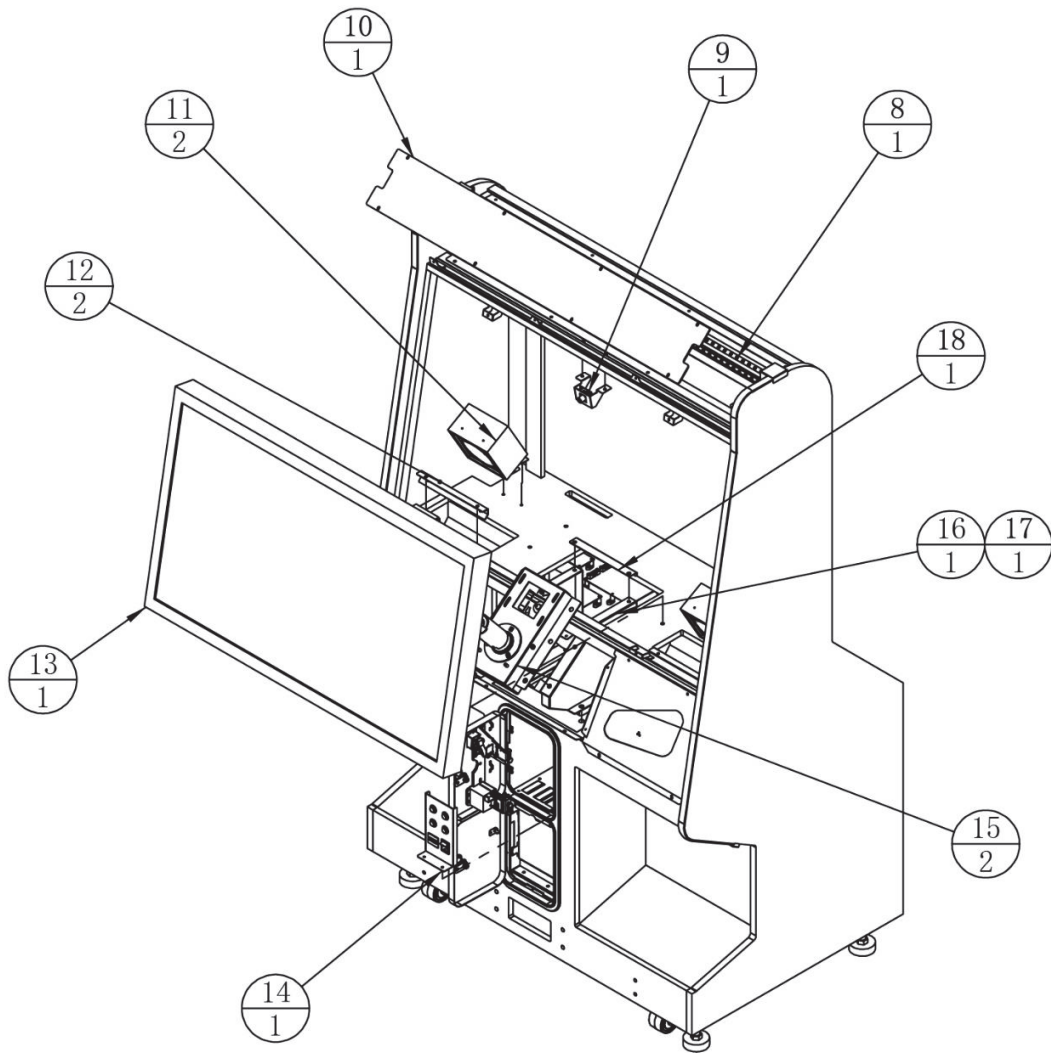
7.3 Monitor Frame Assembly

Monitor Frame Assembly (1/3)



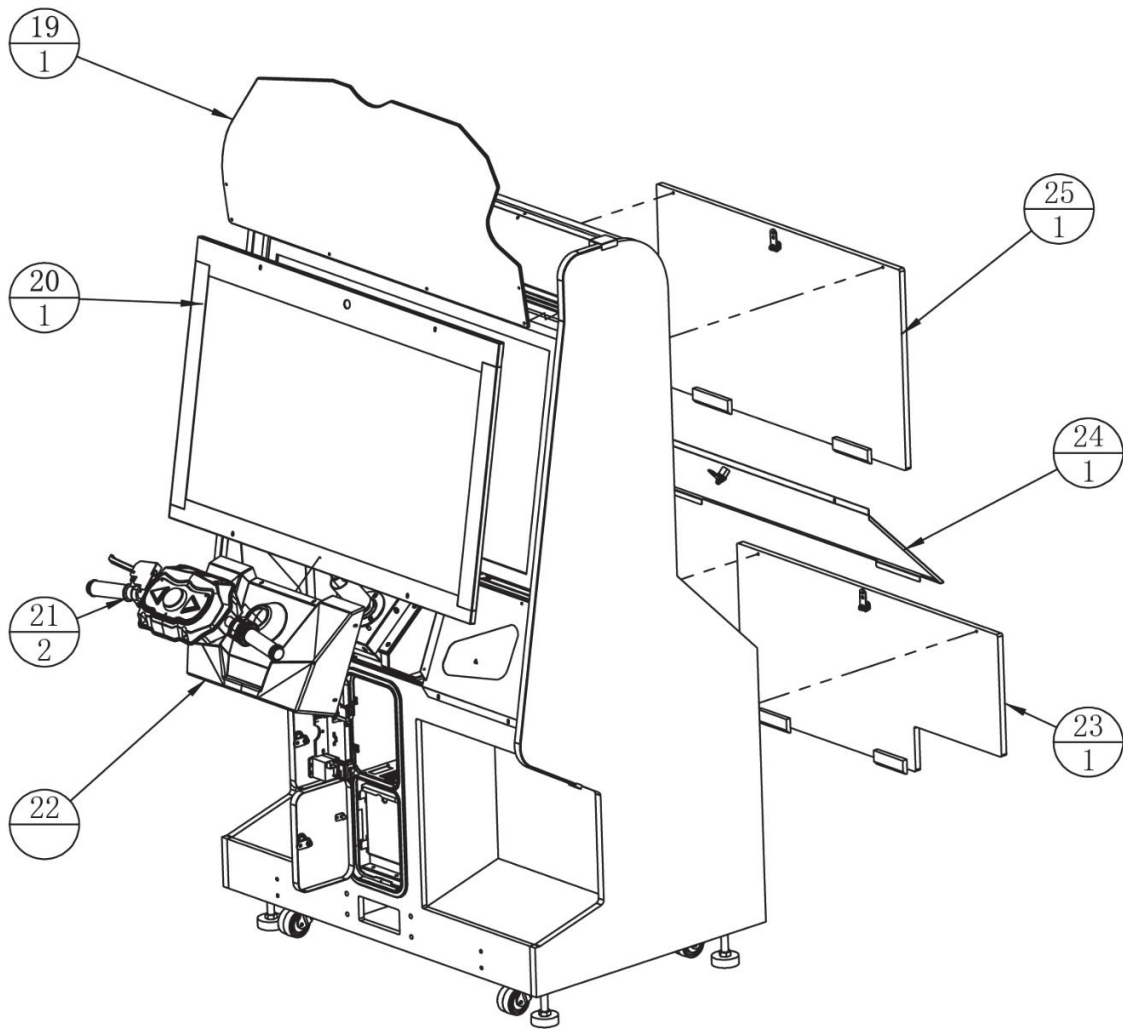
7	ATV-0214000	Fan assembly		3	
6		Ventilation net	253-5460	3	
5	ATV2-0104000	PCB assembly		1	
4	ATV-0206000	PC assembly		1	
3	ATV2-0115000	Transformer assembly		1	
2	ATV2-0109000	AC power box assembly		1	
1	ATV2-0101000	Monitor frame assembly		1	
No.	Drawing No.	Name	Specification	Qty	Other

Monitor Frame Assembly (2/3)



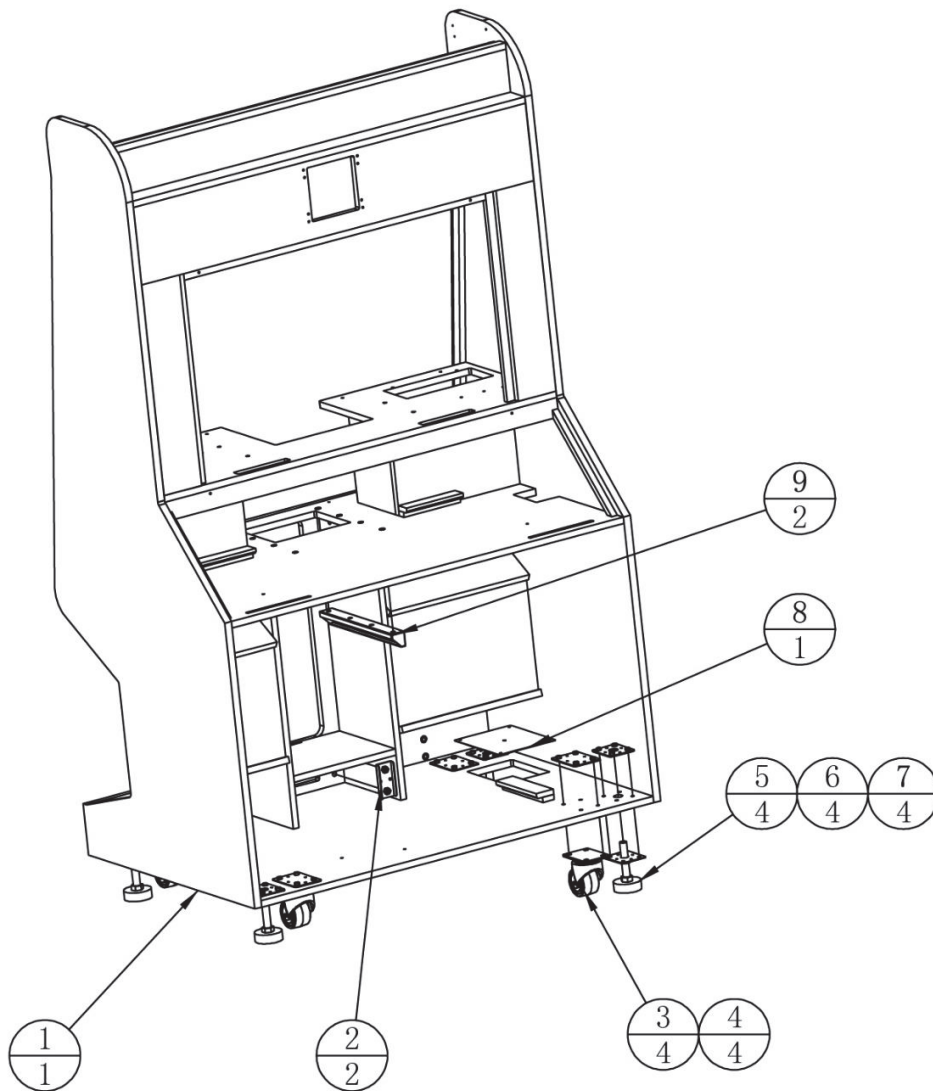
18	ATV2-0100A03	Bracket connecting plate	SPCC-1.5T	1	
17	ATV2-0100A02	Steering bracket left	SPCC-2.0T	2	
16	ATV2-0100A01	Steering bracket right	SPCC-2.0T	2	
15	ATV2-0102000	Steering assembly		2	
14	ATV-0210000	Service assembly		1	
13	ATV2-0105000	Monitor assembly		1	
12	ATV2-0107000	Control LED assembly		2	
11	ATV2-0108000	Speaker assembly		2	
10	ATV2-0100D02	LED lampshade	PMMA-3.0T	1	
9	ATV2-0113000	Camera assembly		1	
8	ATV2-0114000	Light box LED assembly		1	
No.	Drawing No.	Name	Specification	Qty	Other

Monitor Frame Assembly (3/3)



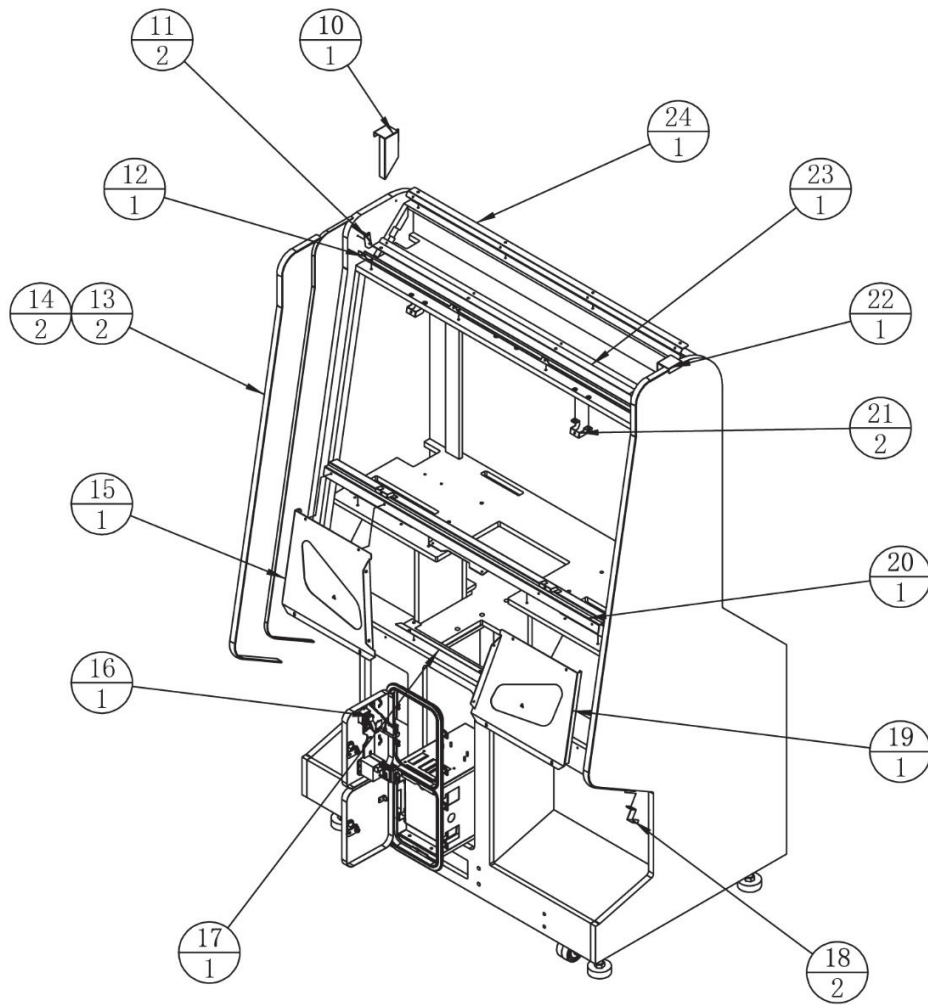
25	ATV2-0110000	Monitor door assembly		1	
24	ATV2-0111000	PCB door assembly		1	
23	ATV2-0112000	Main door assembly		1	
22	ATV2-0100C01	Control cover	PETA	1	
21	ATV2-0103000	Handle assembly		2	
20	ATV2-0106000	Glass assembly		1	
19	ATV2-0100D01	LOGO board	PMMA-5.0T	1	
No.	Drawing No.	Name	Specification	Qty	Other

7.3.1 LCD Wooden Frame Assembly (1/2)



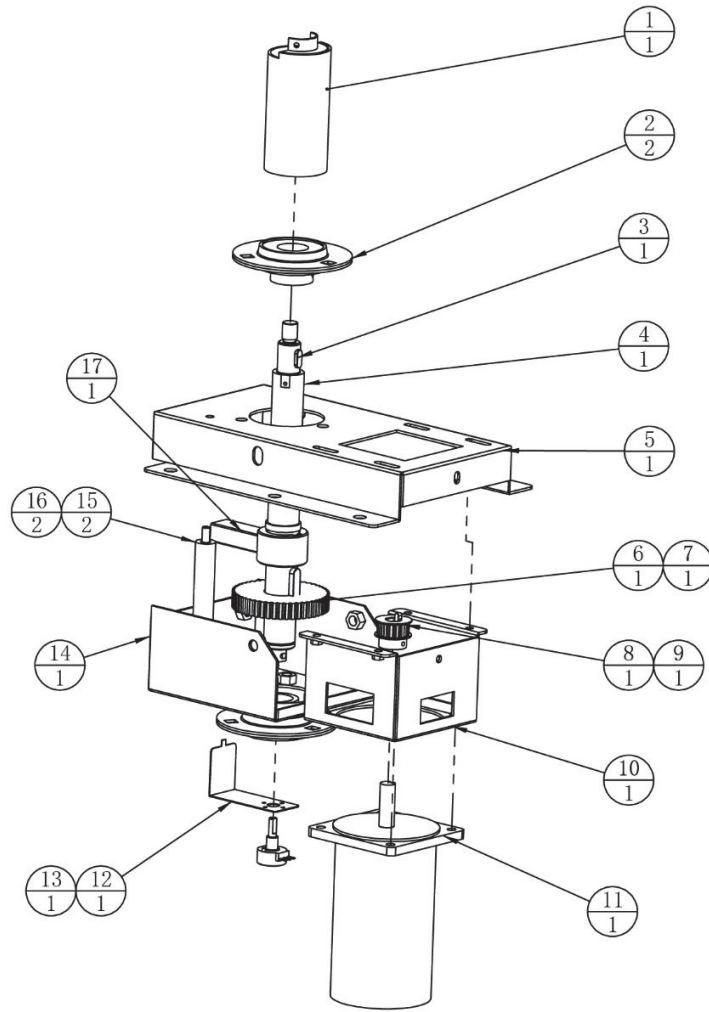
9	ATV2-0101A12	Steering stiffener	SPCC-2.0T	2	
8	ATV2-0101A02	Ventilate panel	SPCC-1.2 T	1	
7	ATV-0201A05	Anchor fixing iron	SPCC-2.0T	4	
6	ATV-0201A07	base anchor	SPCC-2.0T	4	
5		Anchor	M16 * 100	4	
4	ATV-0201A06	Casters fixed iron	SPCC-2.0T	4	
3		Activity castor	2.5 "	4	
2	ATV2-0101A01	Connecting plate	SPCC-1.5T	2	
1	ATV2-0101B01	Monitor wooden frame	MDF	1	
No.	Drawing No.	Name	Specification	Qty	Other

7.3.1 LCD Wooden Frame Assembly (2/2)



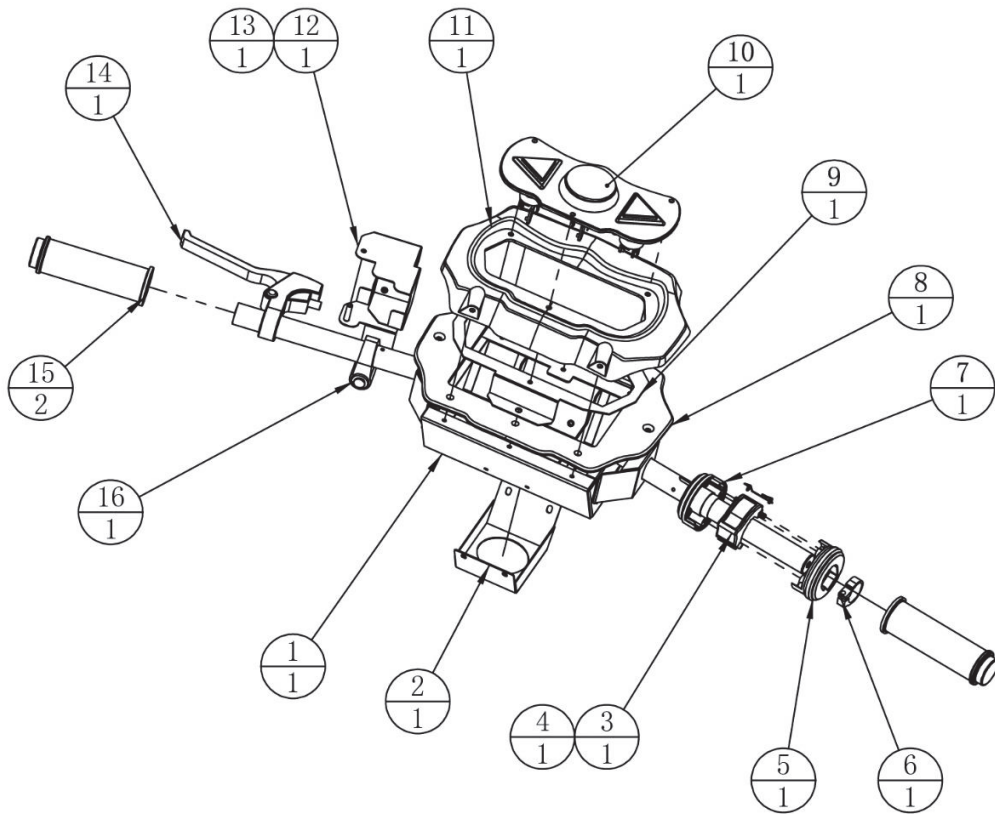
24	ATV2-0101A09	Lamp shade plate 1	SPCC-1.2T	1	
23	ATV2-0101A10	Lamp shade plate 2	SPCC-1.2T	1	
22	ATV2-0101A13	Right wire cover	SPCC-1.2T	1	
21	ATV2-0101A06	Glass frame rack	SPCC-1.2T	2	
20	ATV2-0101A11	Glass frame undef rack		1	
19	ATV2-0101A04	Left speaker mesh	sheet	1	
18	ATV2-0101A15	Lower wire cover	SPCC-1.2T	2	
17	ATV2-0101A03	Lower console cover	SPCC-1.2T	1	
16		Single iron coin door	10429800	1	
15	ATV2-0101A05	Right speaker mesh	sheet	1	
14		5050 soft LED	SK6812 L=1500mm	2	
13		Aluminum LED chamfer	L=1500*2	2	
12	ATV2-0101A07	LOGO under fixed plate	SPCC-1.2T	1	
11	ATV2-0101A08	LOGO upper fixed plate	SPCC-1.2T	2	
10	ATV2-0101A14	Left wire cover	SPCC-1.2T	1	
No.	Drawing No.	Name	Specification	Qty	Other

7.3.2 Steering Parts Assembly



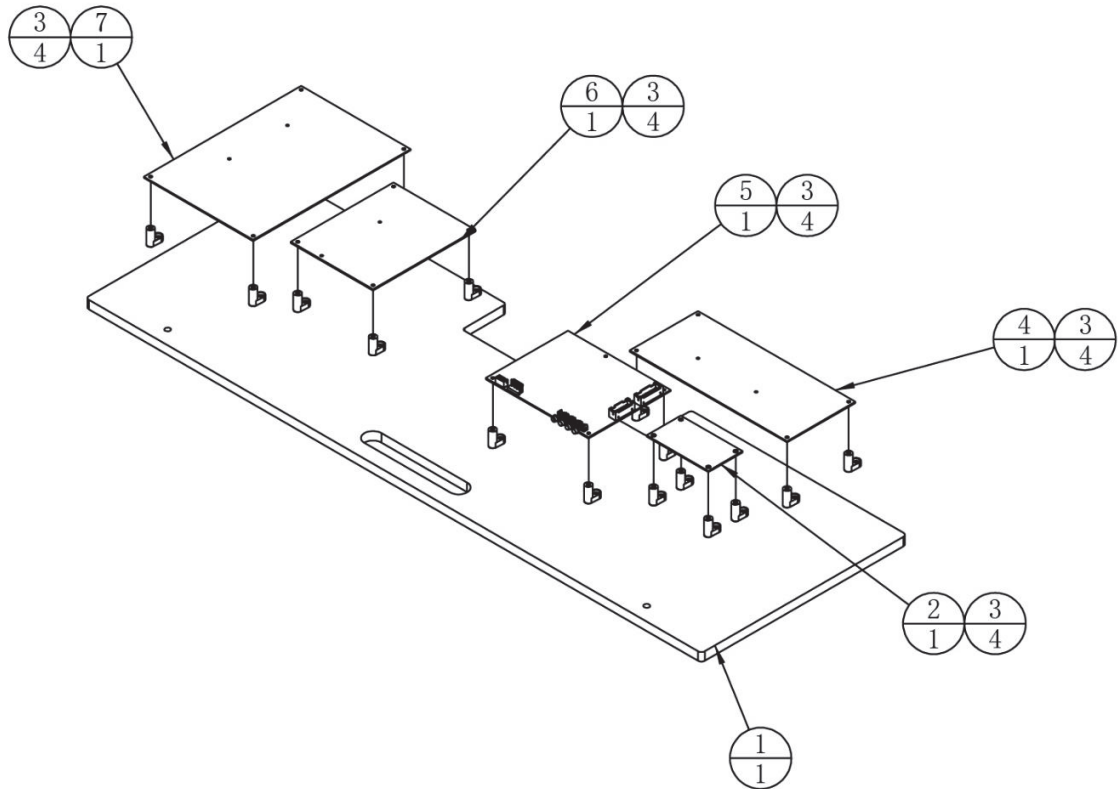
17	ATV2-0102A06	Limit block		1	
16	ATV2-0102A04	Limit poles	Q235	2	machining parts
15	ATV2-0102C01	Direction limit block	polyurethane	2	
14	ATV2-0102A07	Lower steering cover	SECC-2.0T	1	
13		Potentiometer	B - 5 k Ω 270	1	
12	ATV2-0102A02	Potentiometer plate	SECC-0.8T	1	
11		Motor	Z5D90-90A1	1	
10	ATV2-0102A08	Motor mount	SECC-2.0T	1	
9		key	4*12	1	
8	ATV2-0102A09	Pulley 1	45	1	
7		key	6*15	1	
6	ATV2-0102A10	Pulley 2	AL	1	
5	ATV2-0102A05	Steering upper cover	SECC-2.0T	1	
4	ATV2-0102A01	Shaft	Q235	1	
3		key	6*15	1	
2		Bearing	UBPF205	2	
1	ATV2-0102A03	Bobbin		1	
No.	Drawing No.	Name	Specification	Qty	Other

7.3.3 Steering Wheel Assembly



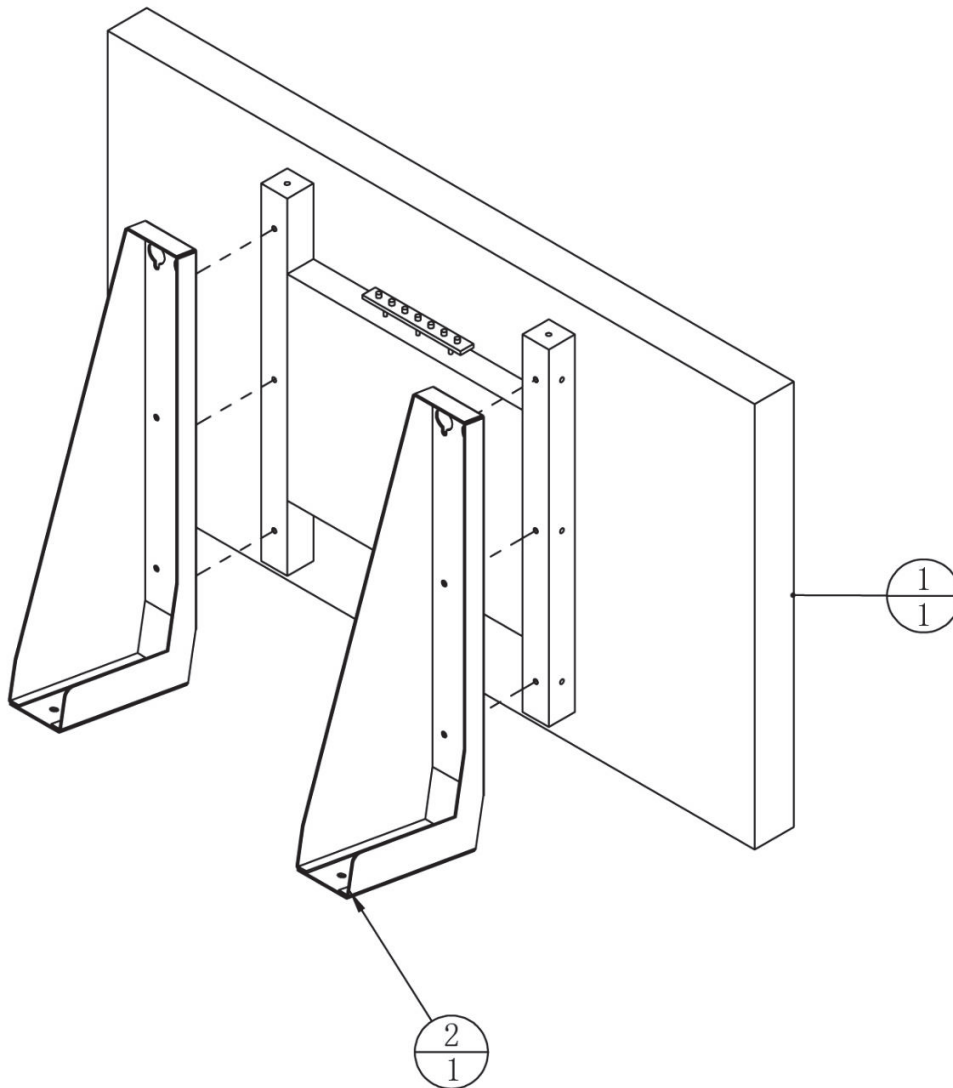
16		Shoot button	KG-037	1	
15		Handles	RMUV-1	2	
14		Brake	106PDD.BS106.A	1	
13	ATV-0108A06	Brake limit plate	SPCC-1.0T	1	
12	ATV-0108A03	Brake wire cover		1	
11	ATV-0100C01	Handle cover	ABS	1	
10	ATV-0112000	Console button assembly		1	
9	ATV-0108A05	Button support plate	SPCC-1.2T	1	
8	ATV-0108D01	Handle box pad	PMMA-5.0T	1	
7	ATV2-0103C02	Throttle left cover	ABS	1	
6	ATV2-0103A04	Throttle fastener	AL	1	
5	ATV2-0103C03	Throttle right cover	ABS	1	
4	ATV2-0103A03	Throttle spring	65Mn	1	
3	ATV2-0103C01	Throttle cap	PC	1	
2	ATV2-0103A02	Handle under cover	SPCC-1.2T	1	
1	ATV2-0103A01	Handle		1	
No.	Drawing No.	Name	Specification	Qty	Other

7.3.4 PCB Board Assembly



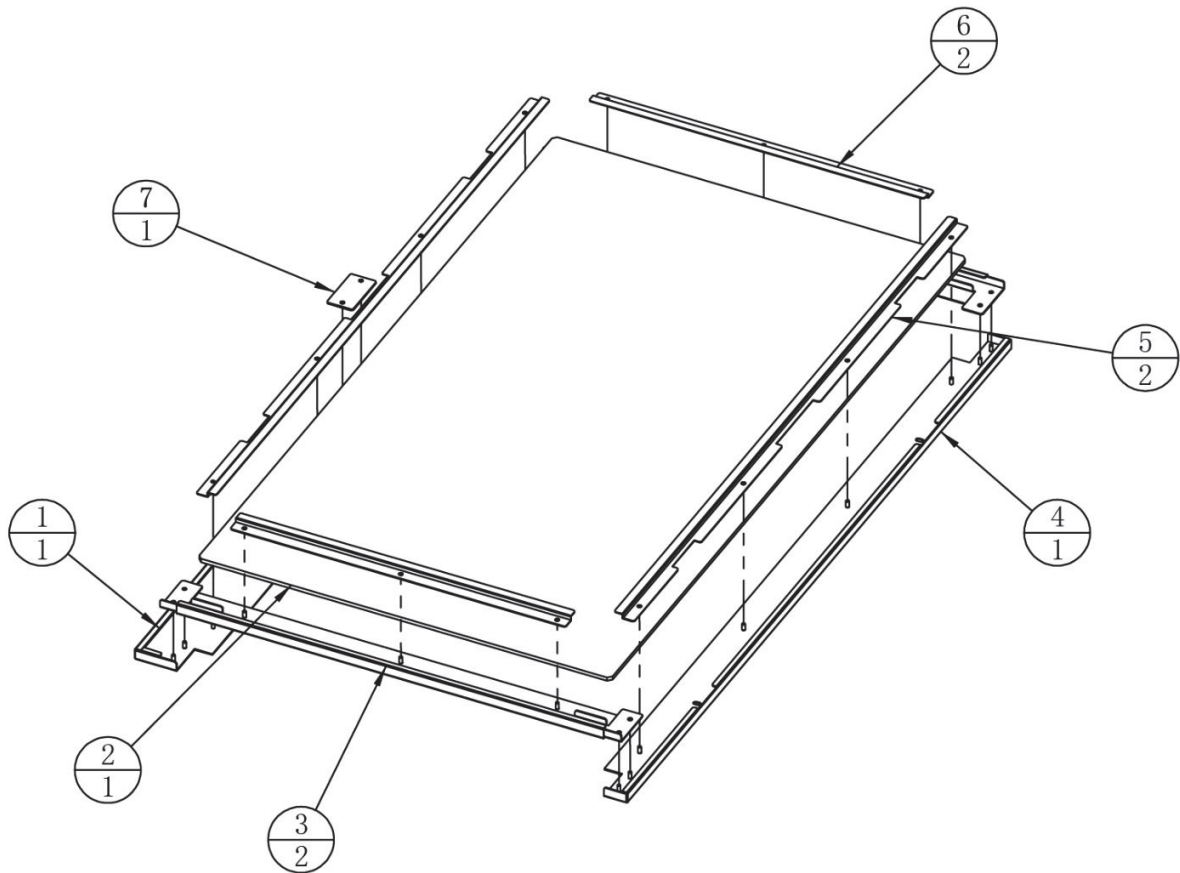
7		Motor PCB	SW-191221	1	
6		Motion PCB	B0-074B	1	
5		IO PCB	B0-072B	1	
4		AMP PCB	B2-098A	1	
3		Feet	M3mm	20	
2		LED PCB	B2-085X	1	
1	ATV2-0104B01	PCB fixed	MDF-12.0T	1	
No.	Drawing No.	Name	Specification	Qty	Other

7.3.5 LCD Assembly



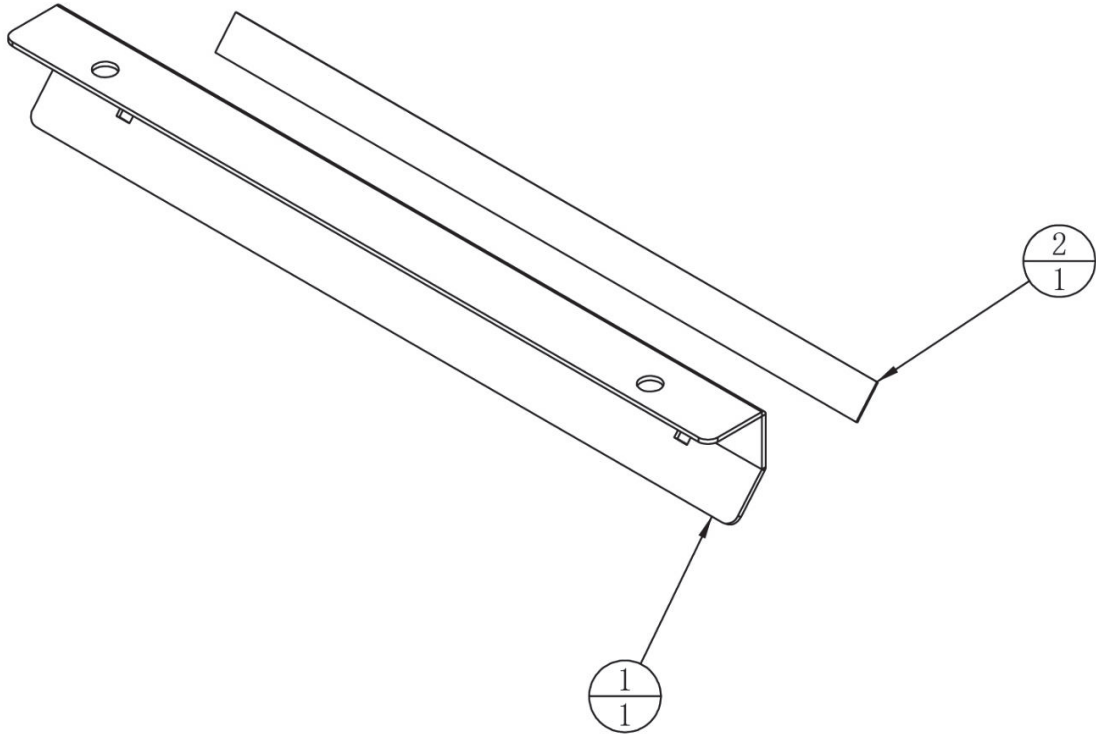
2	ATV2-0105A01	Monitor plate	SPCC-2.5T	2	
1		43 " Monitor		1	
No.	Drawing No.	Name	Specification	Qty	Other

7.3.6 LCD Glass Assembly



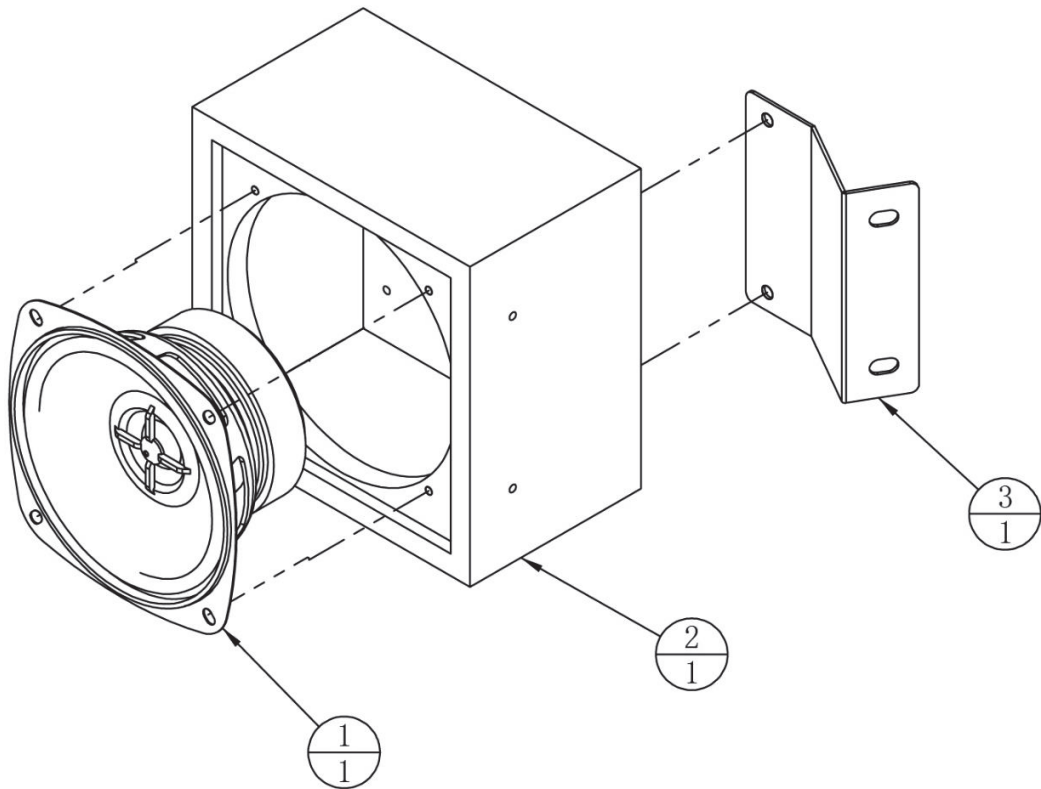
7	ATV2-0106D01	Camera cover	PMMA-2.0T	1	
6	ATV2-0106A04	Glass layering 2	SPCC-1.2T	2	
5	ATV2-0106A03	Glass layering 1	SPCC-1.2T	2	
4	ATV2-0106A05	Glass box 3	SPCC-1.5T	1	
3	ATV2-0106A02	Glass box 2		2	
2	ATV2-0106C01	Monitor glass	Glass - 5.0 T	1	
1	ATV2-0106A01	Glass box 1	SPCC-1.5T	1	
No.	Drawing No.	Name	Specification	Qty	Other

7.3.7 Panel Light Assembly



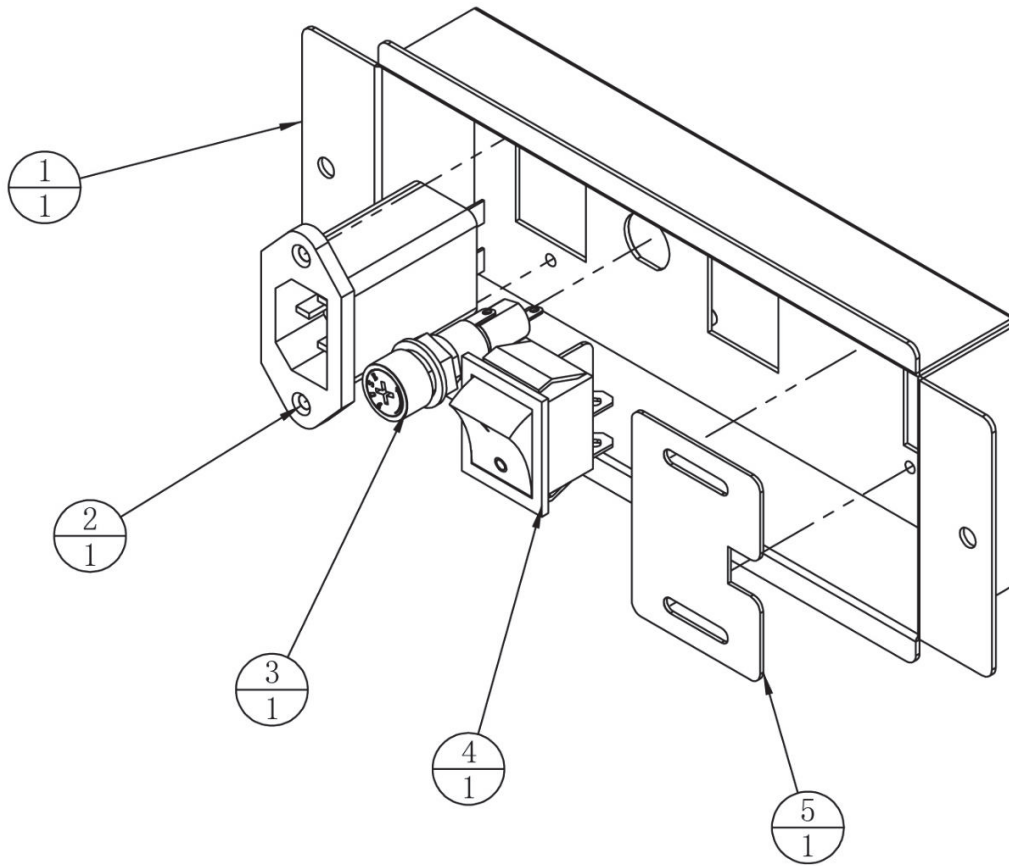
2		5050 soft LED	SK6812 L=200mm	1	
1	ATV2-0107A01	Console LED frame	SPCC-1.2T	1	
No.	Drawing No.	Name	Specification	Qty	Other

7.3.8 Speaker Assembly



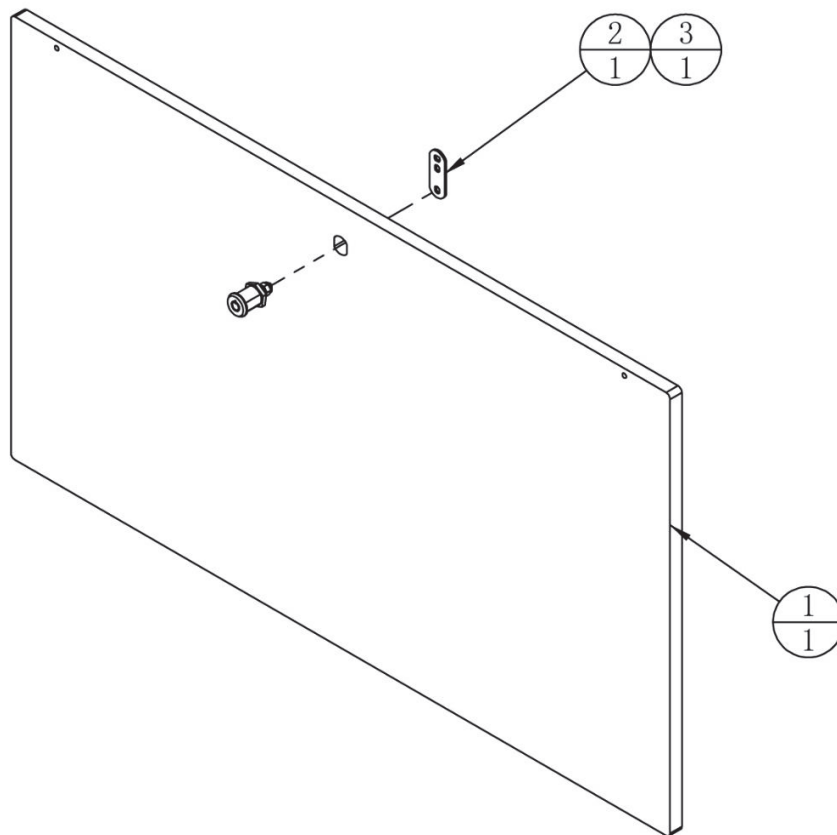
3	ATV2-0108A01	Speaker holder	SPCC-1.2T	1	
2	ATV-0213B01	Speaker box	MDF-9.0T	1	
1		Speakers	4' 4Ω 20W	1	
No.	Drawing No.	Name	Specification	Qty	Other

7.3.9 AC Power Box Assembly



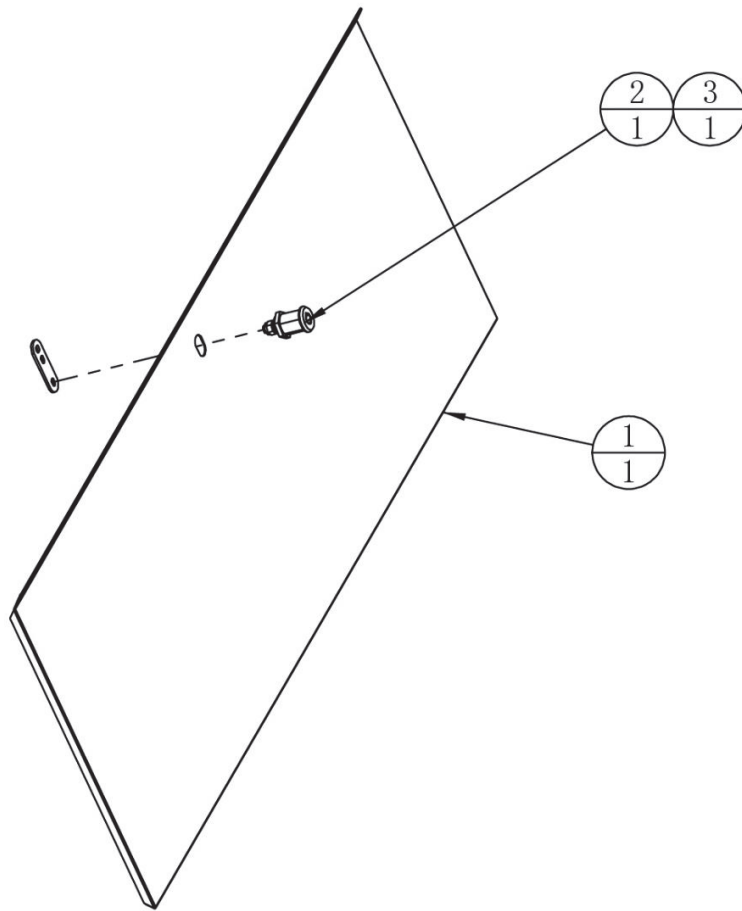
5	ATV-0208A02	Cable cover	SPCC-1.0T	1	
4		Power switch	4P KCD7-2211N	1	
3		Fuse tube	Cross MF527A	1	
2		Filter	YB11A2-15A-Q	1	
1	ATV2-0109A01	Power supply box	SPCC-1.2T	1	
No.	Drawing No.	Name	Specification	Qty	Other

7.3.10 LCD Door Assembly



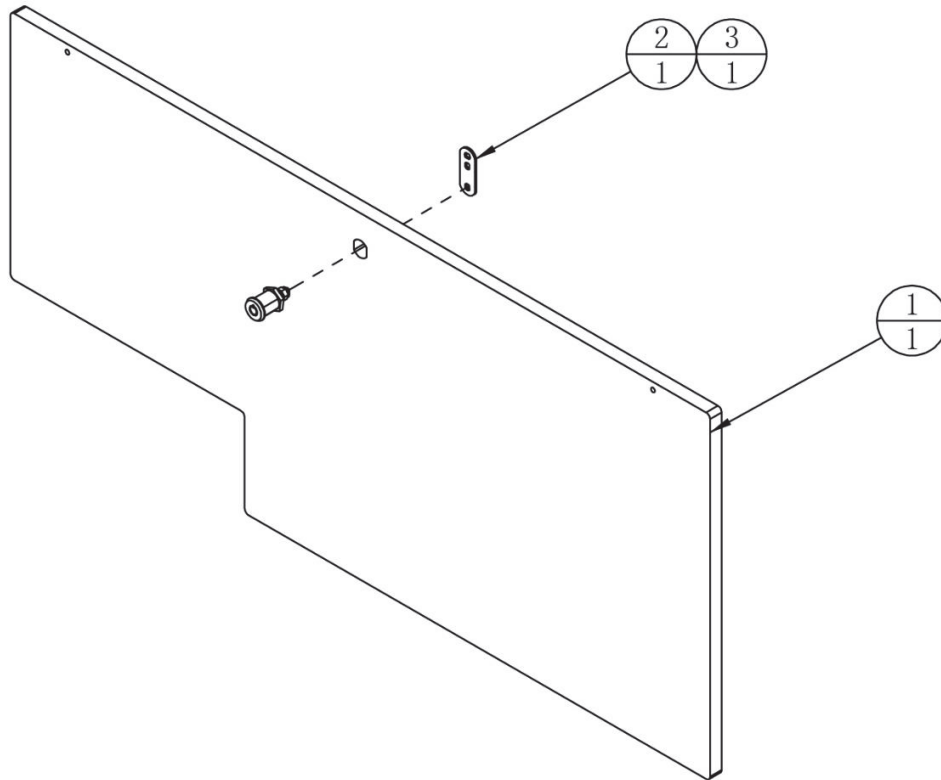
3		Same lock	5555 K	1	
2		Lock plate	5cm	1	
1	ATV2-0110B01	Monitor door	MDF-15.0T	1	
No.	Drawing No.	Name	Specification	Qty	Other

7.3.11 PCB Board Door Assembly



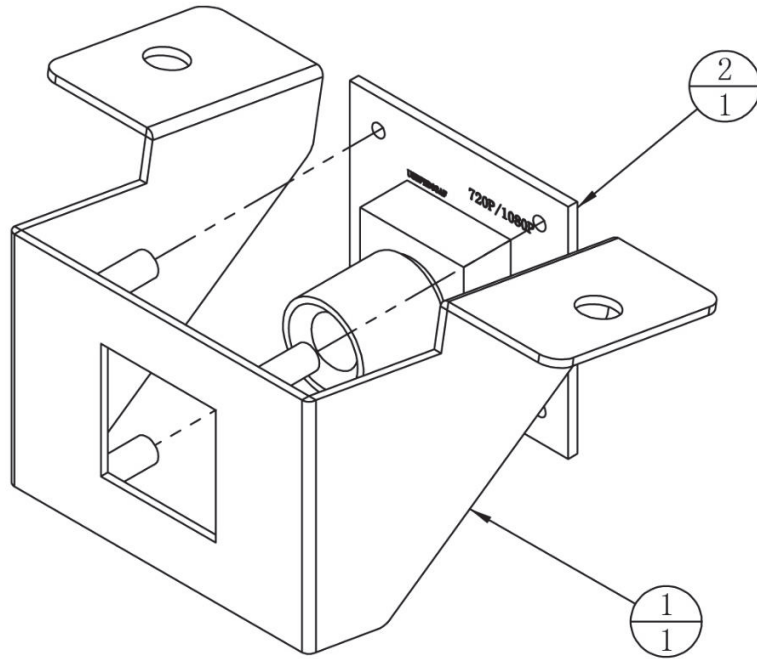
3		Lock plate	5cm	1	
2		Same lock	5555 K	1	
1	ATV2-0111A01	PCB door	SPCC-1.2T	1	
No.	Drawing No.	Name	Specification	Qty	Other

7.3.12 PC Door Assembly



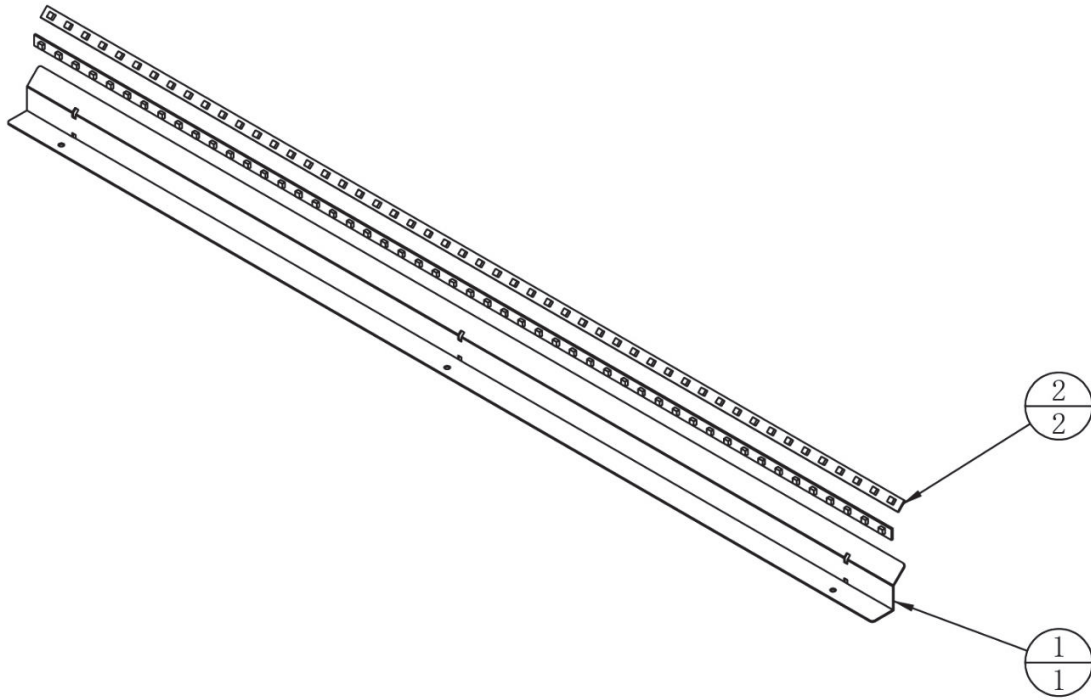
3		Same lock	5555 K	1	
2		Lock plate	5cm	1	
1	ATV2-0112B01	PC door	MDF-15.0T	1	
No.	Drawing No.	Name	Specification	Qty	Other

7.3.13 Camera Assembly



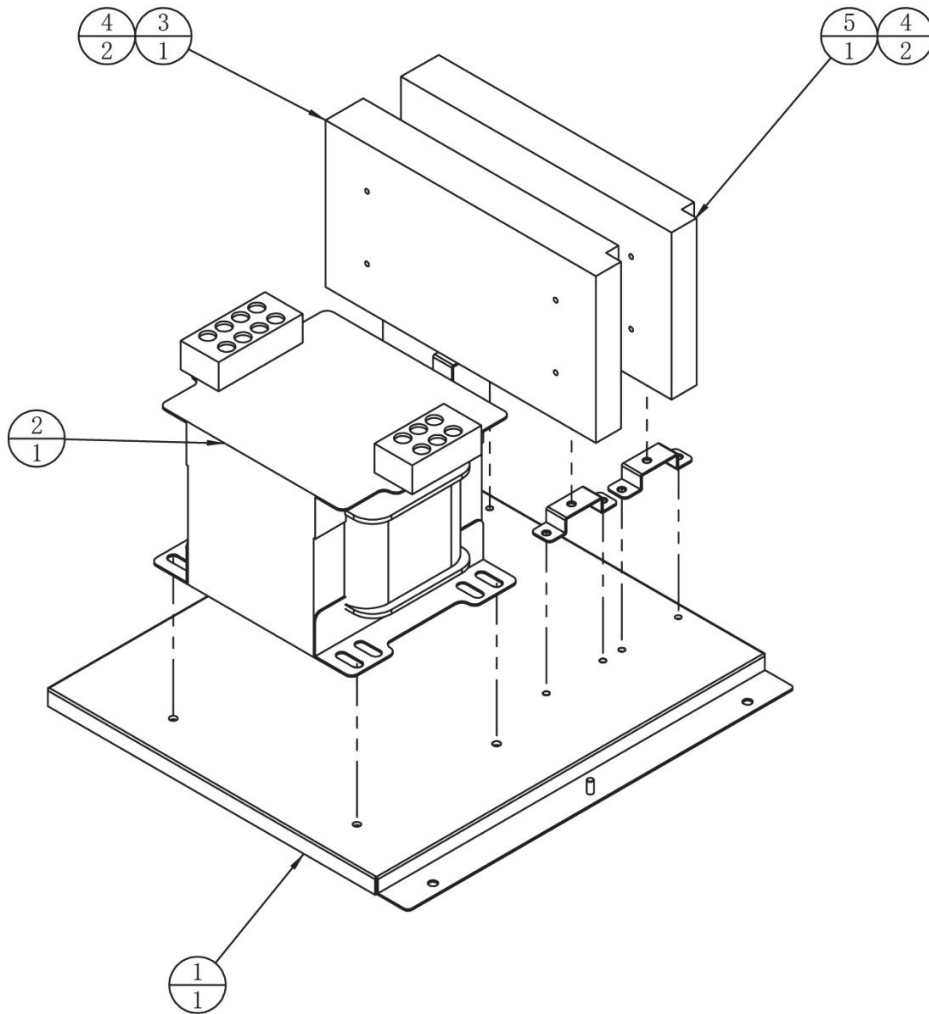
2		Camera	ELP-USB30W02M-L36	1	
1	ATV2-0113A01	Camera frame	SPCC-1.2T	1	
No.	Drawing No.	Name	Specification	Qty	Other

7.3.14 LED Light Assembly



2		5050 soft LED	SK6812 L=900mm	2	
1	ATV2-0114A01	Lamp belt frame	SPCC-1.2T	1	
No.	Drawing No.	Name	Specification	Qty	Other

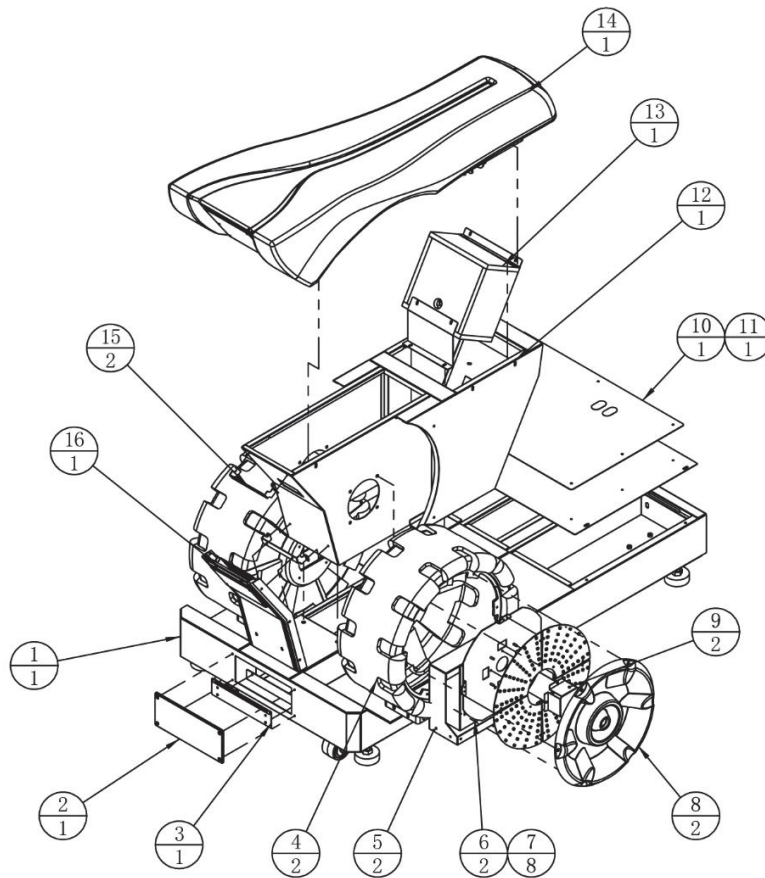
7.3.15 Transformer Assembly



5		Power supply	LRS-350-24	1	
4	ATV-0203A01	Power supply plate	SECC-1.2T	4	
3		Power supply	LRS-350-12	1	
2		Transformer	HL133-12-110/220	1	
1	ATV2-0115A01	Transformer plate	SECC-1.2T	1	
No.	Drawing No.	Name	Specification	Qty	Other

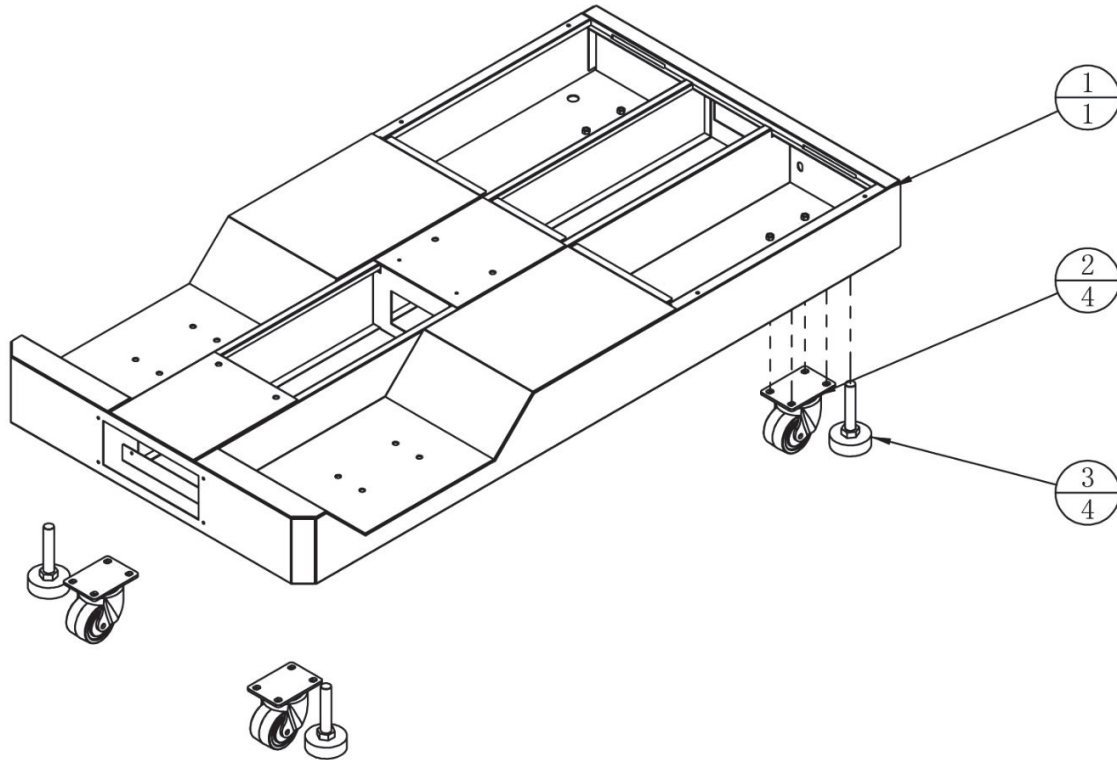
7.4 Seat Assembly

Seat Assembly



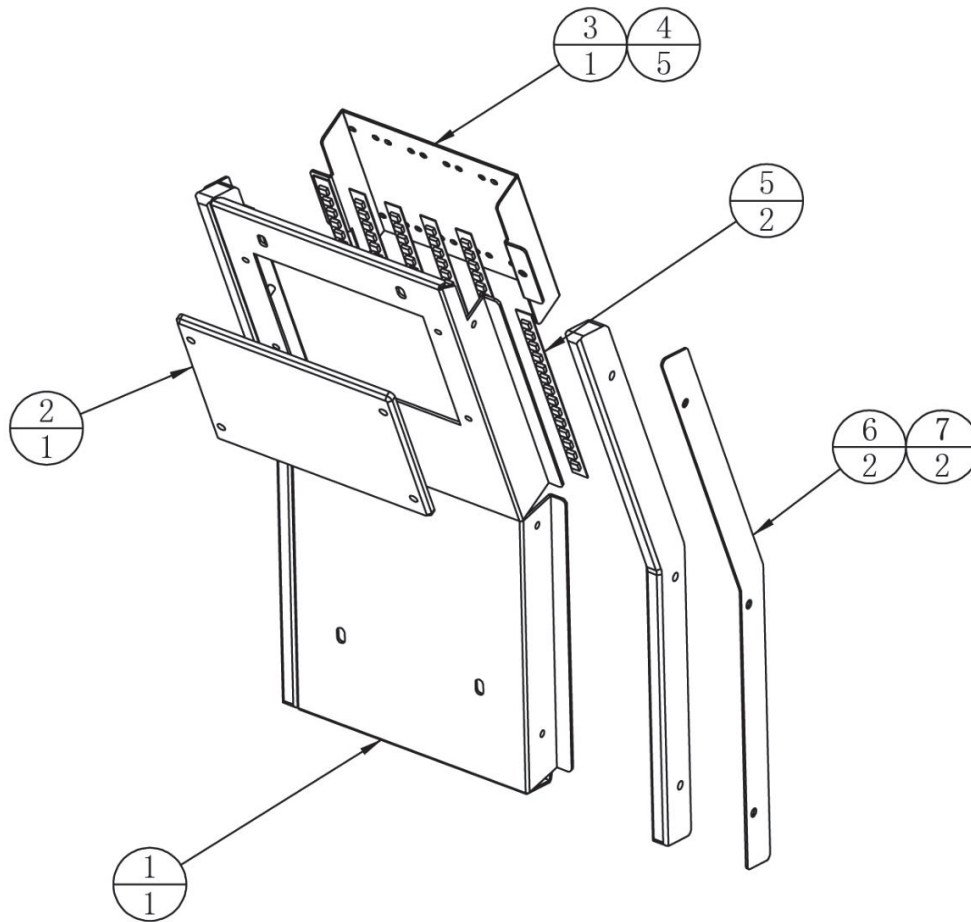
16	ATV2-0202000	Tail light assembly		1	
15	ATV2-0200A02	Tail plate frame	SPCC-1.2T	2	
14	ATV2-0205000	Cushion assembly		1	
13	ATV2-0203000	Woofer assembly		1	
12	ATV2-0200A04	Seat frame		1	
11	ATV2-0200A05	Foot rest	SPCC-1.5T	1	
10	ATV2-0200A06	Safety tread	Non-slip aluminum pla	1	
9	ATV2-0200A03	Wheel holder	SPCC-1.2T	2	
8	ATV2-0200C01	Wheel cover	PETA	2	
7		Wheel LED light panel	2812 PCB 5 v	8	
6	ATV-0100A07	Wheel LED plate	SECC-1.5T	2	
5	ATV2-0200A01	Wheel frame		2	
4	ATV-0101C01	Wheel modelling	Black LDPE	2	
3	ATV2-0204000	Floor LED assembly		1	
2	ATV2-0200D01	Floor LED cover	PMMA-5.0T	1	
1	ATV2-0201000	Seat platform assembly		1	
No.	Drawing No.	Name	Specification	Qty	Other

7.4.1 Seat Platform Assembly



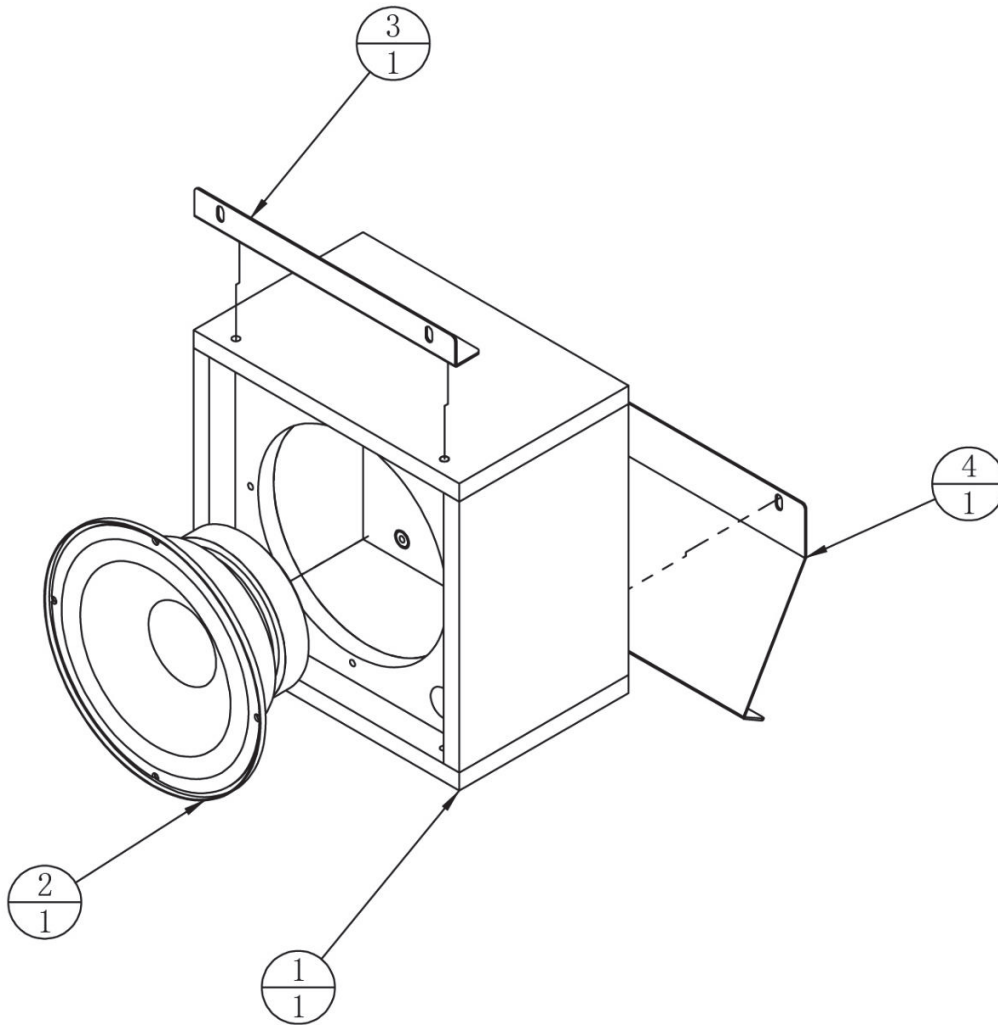
3		Anchor screw	M16 * 100	4	
2		Activity castor	2.5 "	4	
1	ATV2-0201A01	Platform		1	
No.	Drawing No.	Name	Specification	Qty	Other

7.4.2 Bike Back-Light Assembly



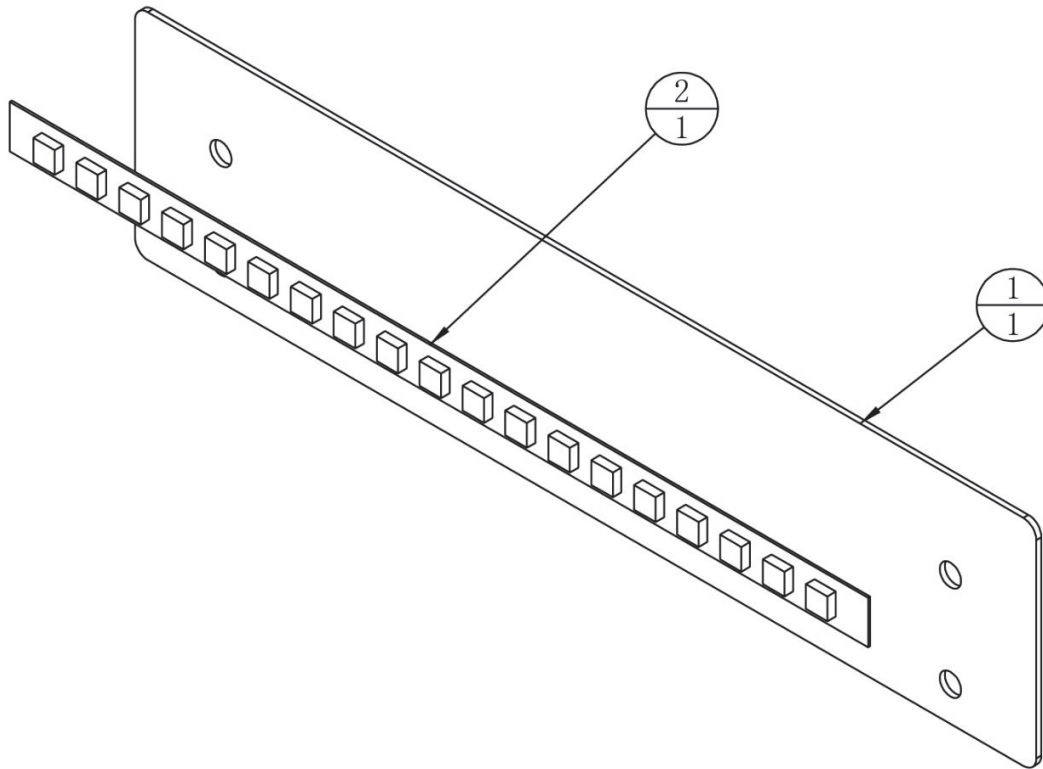
7	ATV2-0202D02	Light panel	PMMA - 10.0 T	2	
6	ATV2-0202A03	Taillight plate	SPCC-1.2T	2	
5		5050 soft LED	DC12V L = 350mm	2	
4		5050 soft LED	SK6812 L=100	5	
3	ATV2-0202A01	Bottom lamp plate	SPCC1.2T	1	
2	ATV2-0202D01	Decorative	PMMA-5.0T	1	
1	ATV2-0202A02	Tail light box	SPCC-1.2T	1	
No.	Drawing No.	Name	Specification	Qty	Other

7.4.3 Subwoofer Speaker Assembly



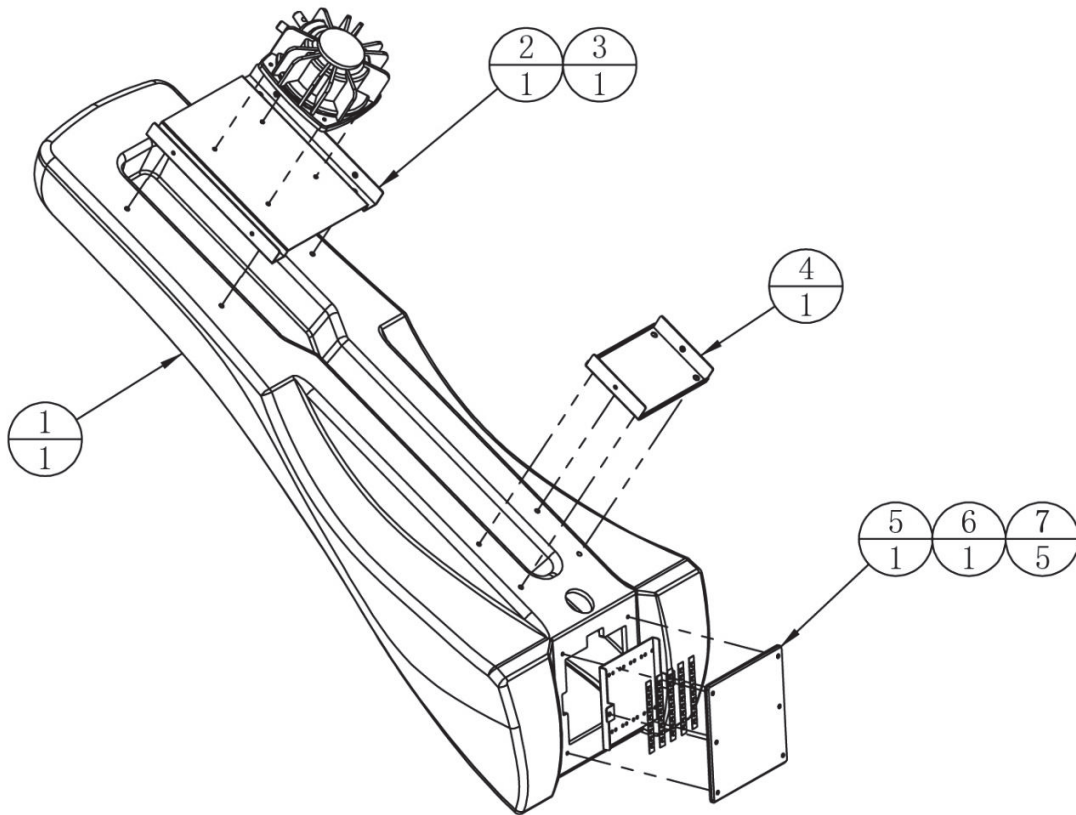
4	ATV2-0203A02	Woofer Lower plate	SPCC-1.2T	1	
3	ATV2-0203A01	Woofer upper plate	SPCC-1.2T	1	
2		Woofer	6.5 "4 ω /60W	1	
1	ATV2-0203B01	Low speaker	MDF-12.0T	1	
No.	Drawing No.	Name	Specification	Qty	Other

7.4.4 Platform LED Assembly



2		5050 soft LED	SK6812 L=200mm	1	
1	ATV2-0204A01	Ground lamp plate	SPCC-1.2T	1	
No.	Drawing No.	Name	Specification	Qty	Other

7.4.5 Seat Cushion Assembly



7		5050 soft LED	SK6812 L=100	5	
6	ATV2-0205A01	Taillight fixing plate	SPCC-1.2T	1	
5	ATV2-0205D01	Rear cover	PMMA-3.0T	1	
4	ATV2-0205A03	Seat plate	SPCC-1.5T	1	
3		Vibration speakers	4Ω50W	1	
2	ATV2-0205A02	Vibrating horn plate	SPCC-1.5T	1	
1	ATV2-0205C01	Seat molding	LDPE	1	
No.	Drawing No.	Name	Specification	Qty	Other

8. Printing Pattern & Private Label (PL)

8.1 Printing Pattern of Cabinet

