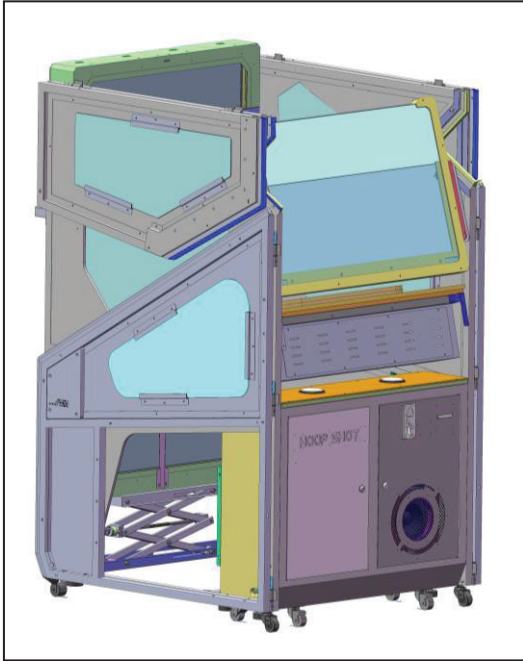


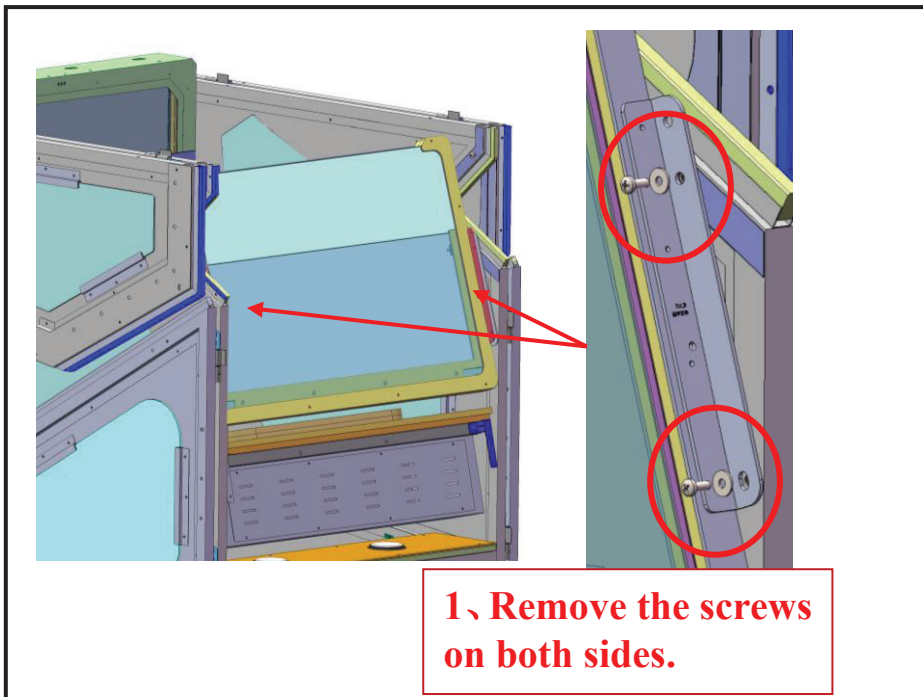
4. Machine Installation



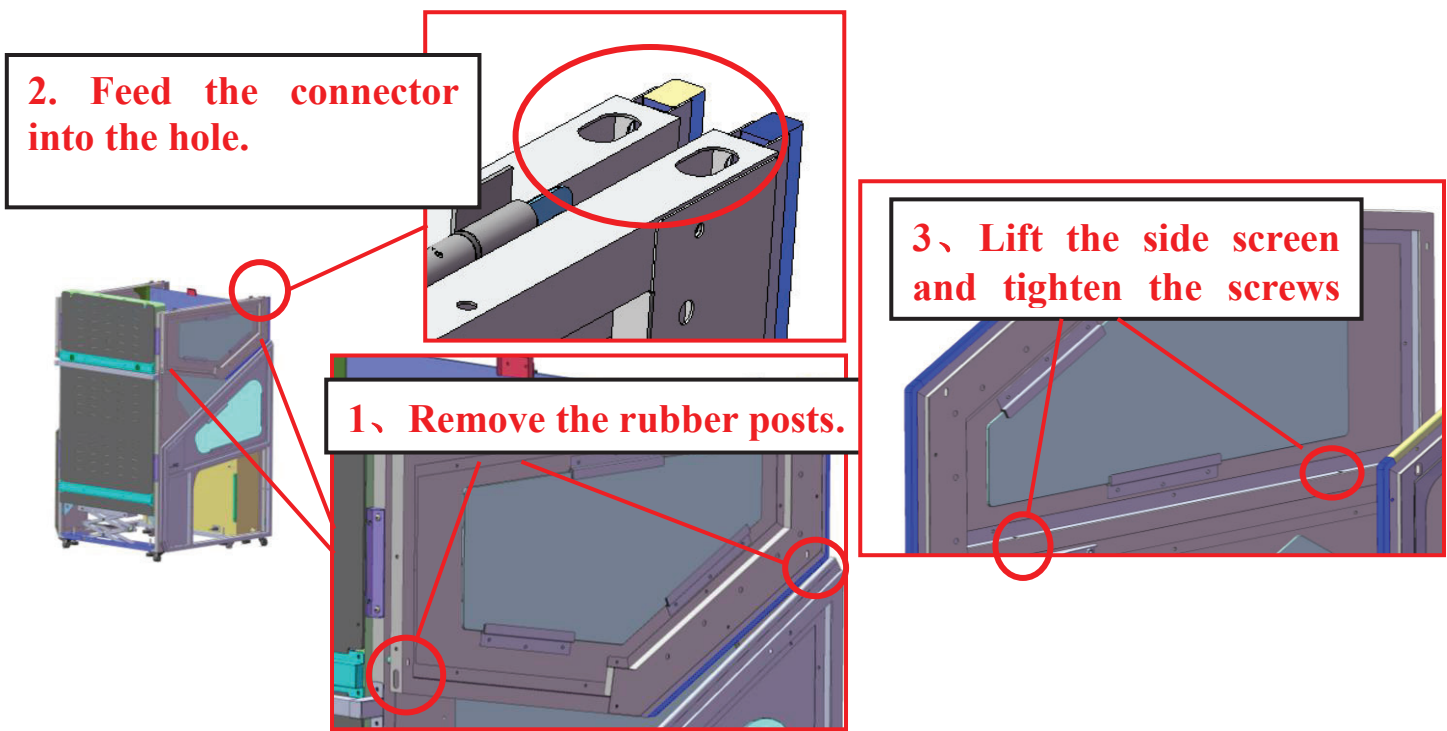
Recommended minimum 3 person install



1 Carefully remove the machine from the pallet.

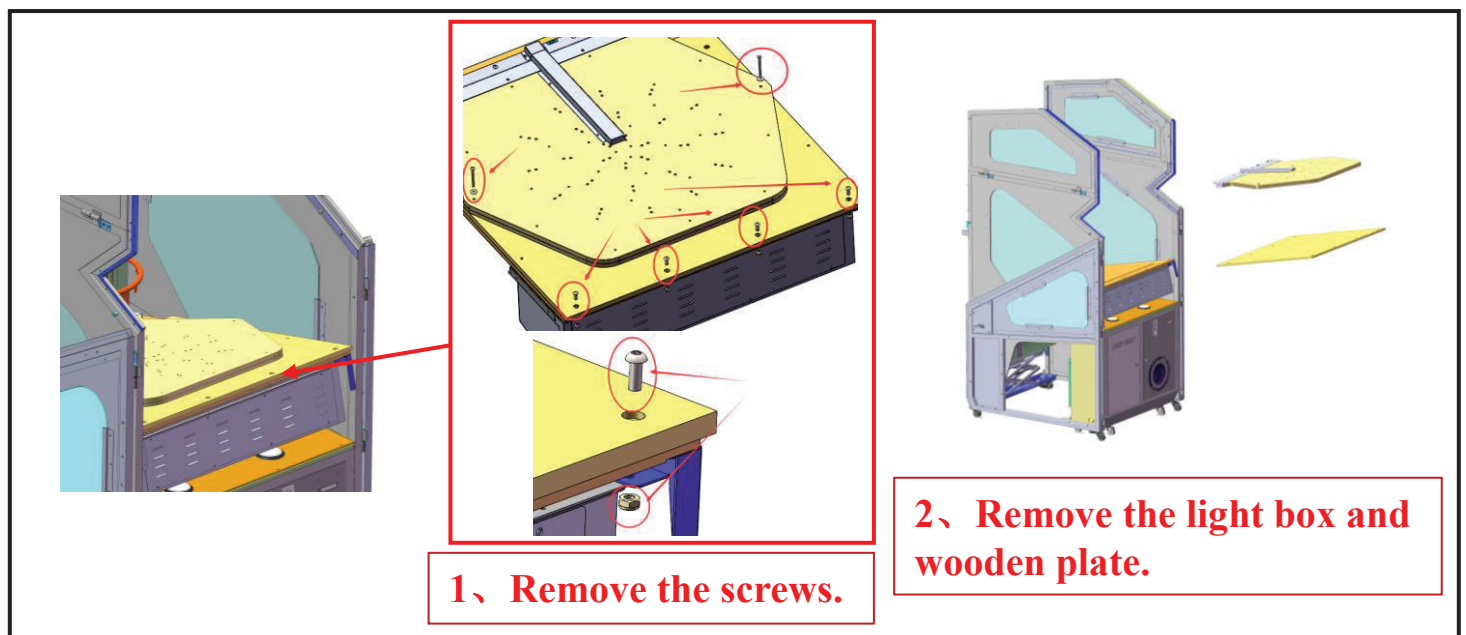


2, Remove the rebound guard glass (4 screws on the left and right);

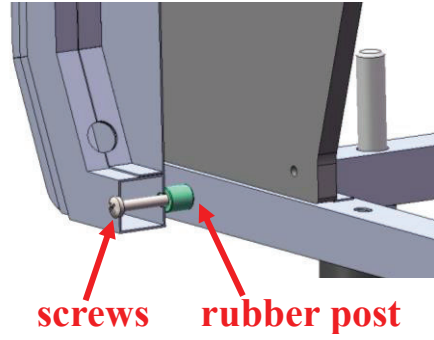
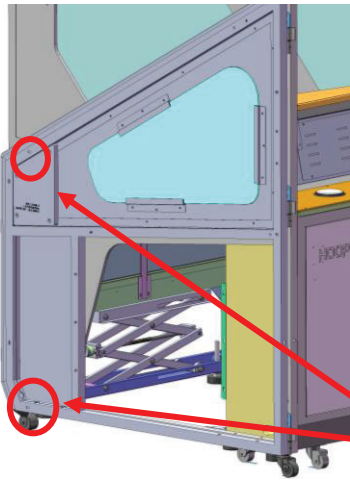


3. Remove the rubber posts (2 on the left and right) that fix the upper side plate. Lift the side glasses and secure using the fixings.

NOTE: Insert the light connector into the hole first;

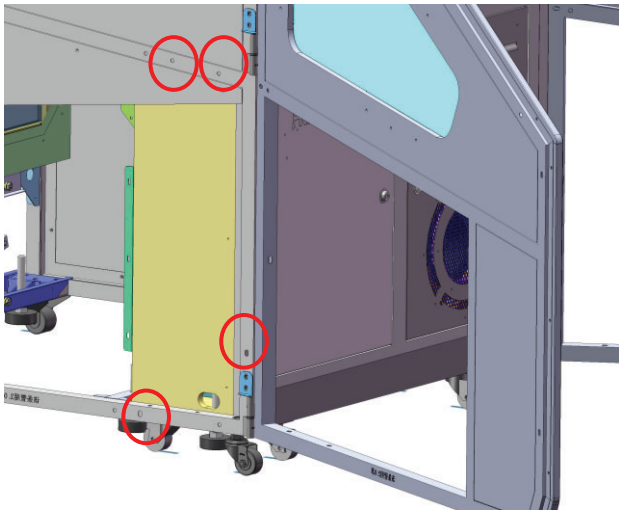


4. Remove the light box and wooden plate (2 screws on the left and right, 4 screws on the front).

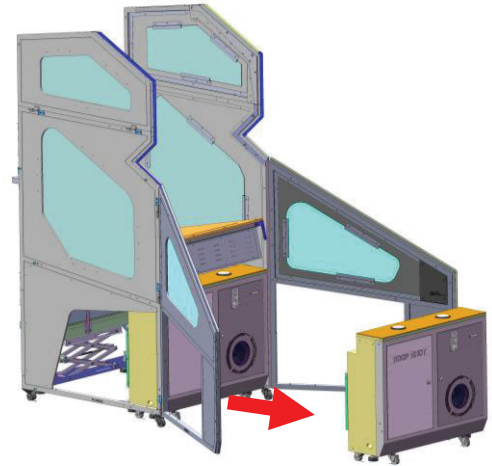


Take out screws on both sides.

5. Take out the screws and rubber posts that fix the side panels.

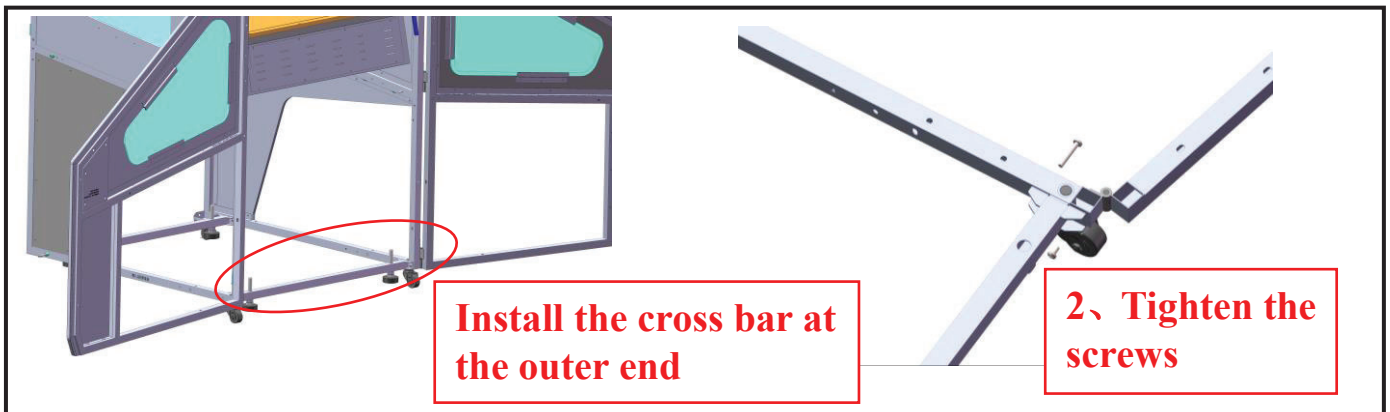


1、 Take out screws on both sides.

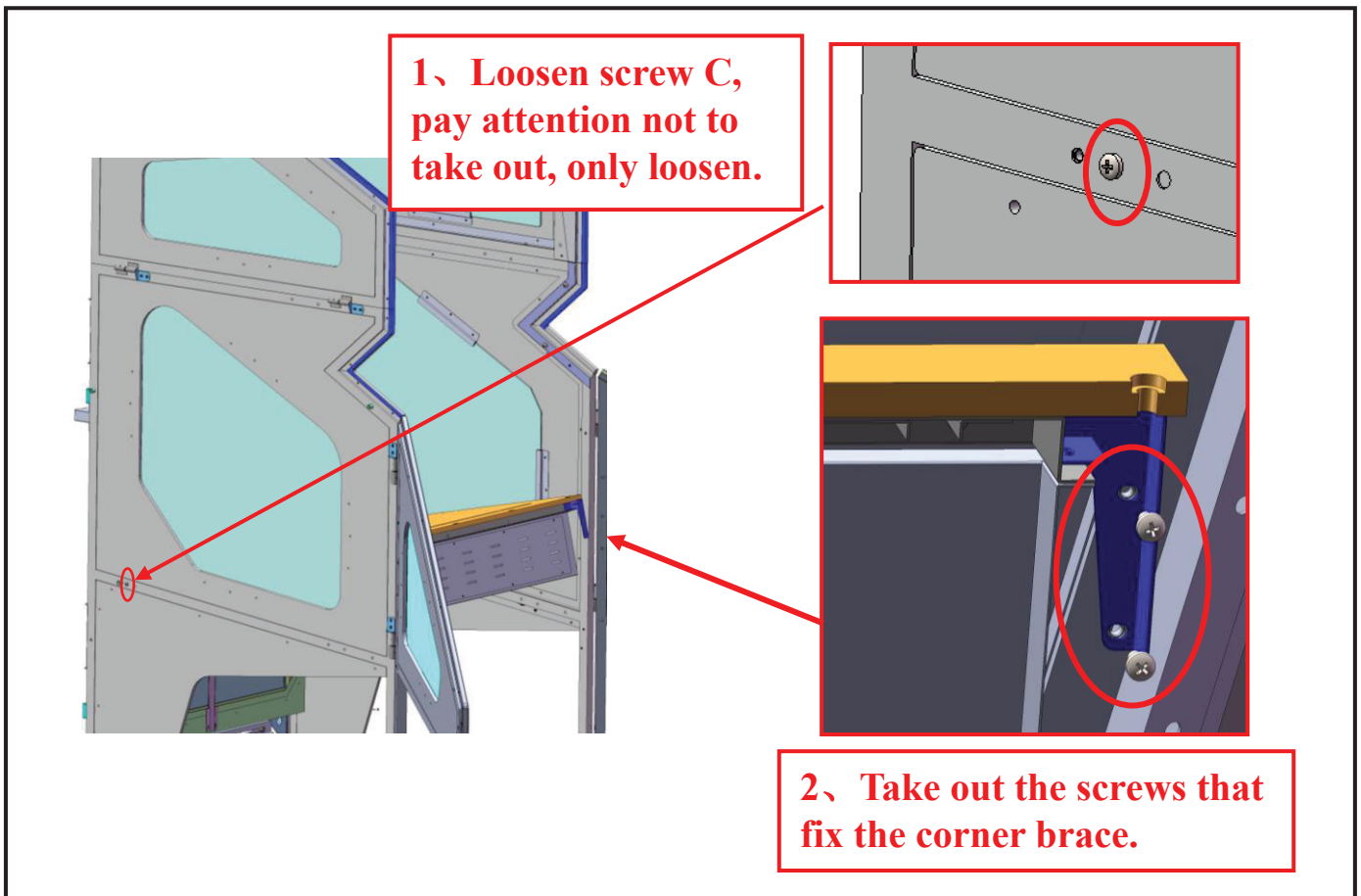


2、 move out the entire console.

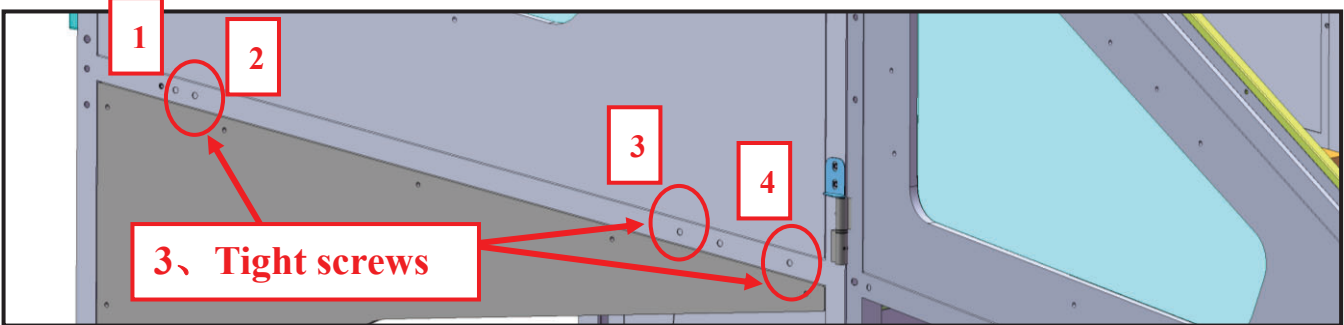
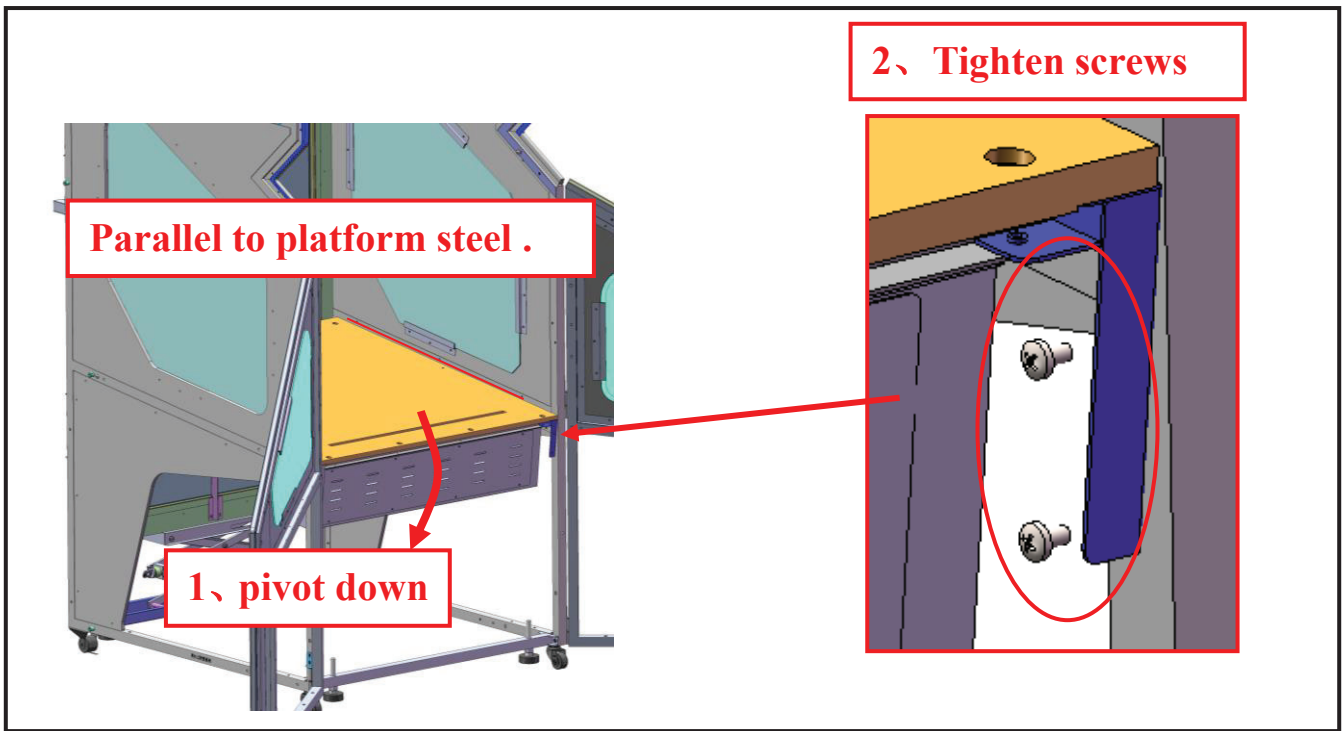
6. Remove the screws (4 on each side) that fix the console, and carefully slide out the console.



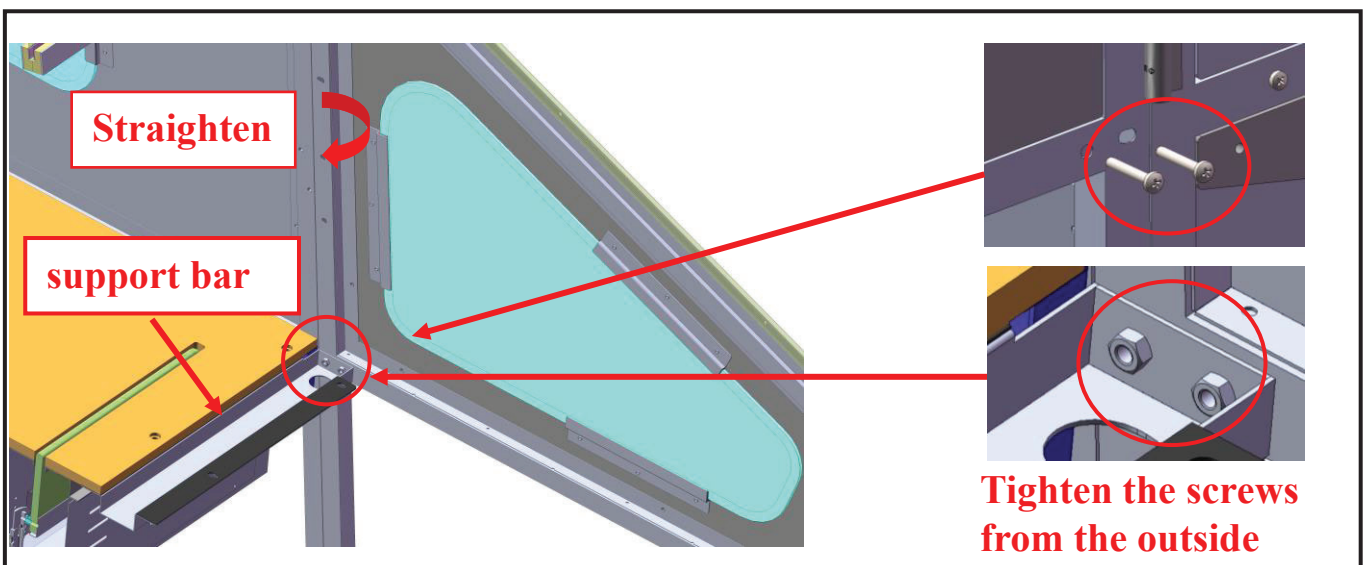
7. Remove the cross bar (2 screws on the left and right), rotate it 180 degrees horizontally and install it on the outer end.



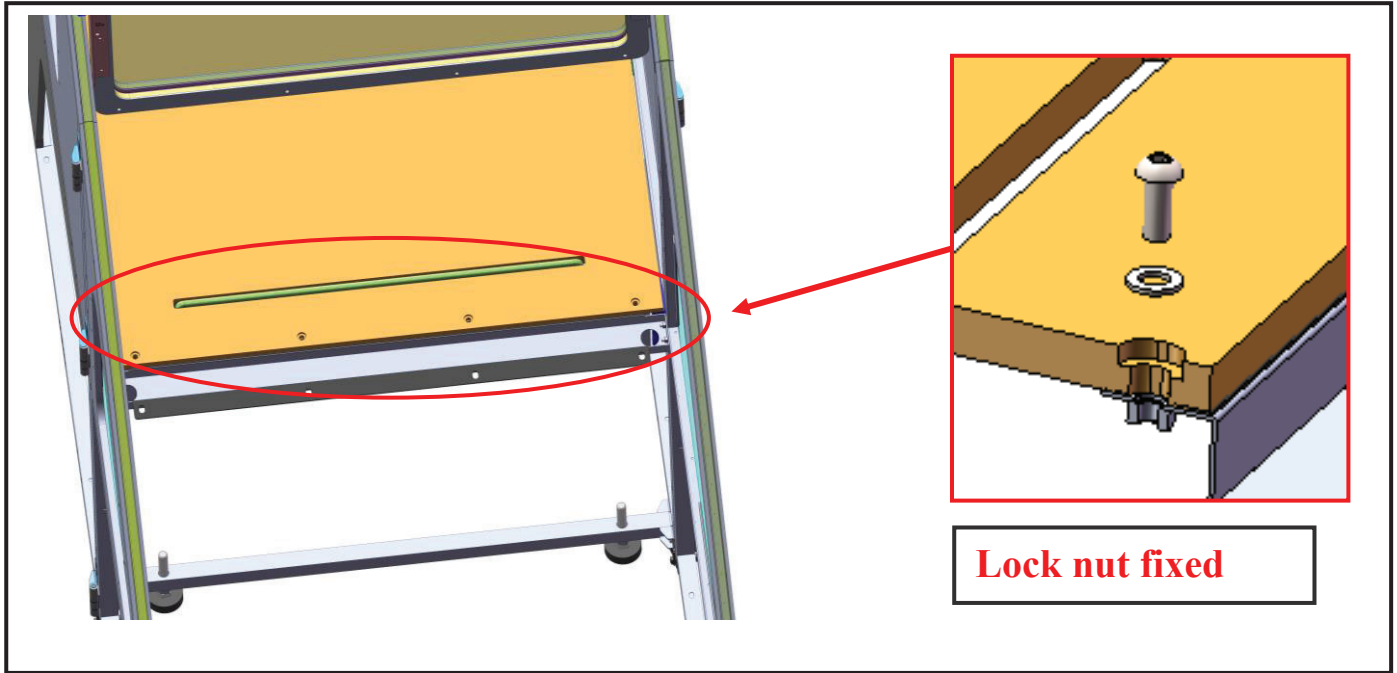
8.1. Loosen screw C, and then take out the screws that fix the corner brace. (2 screws on the left and right)



8.2、pivot the platform down. (Parallel to platform steel pipe) , re-fix the left and right corner hardware, and then tighten the screws on the side steel pipes (4 on each side). It is heavy, so take care when installing this part.

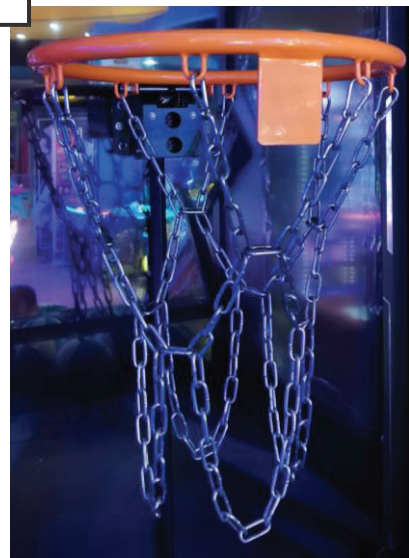


9.1、Align the door panel, the support bar is placed at the joint, and tighten the screws from the outside (2 on each side).

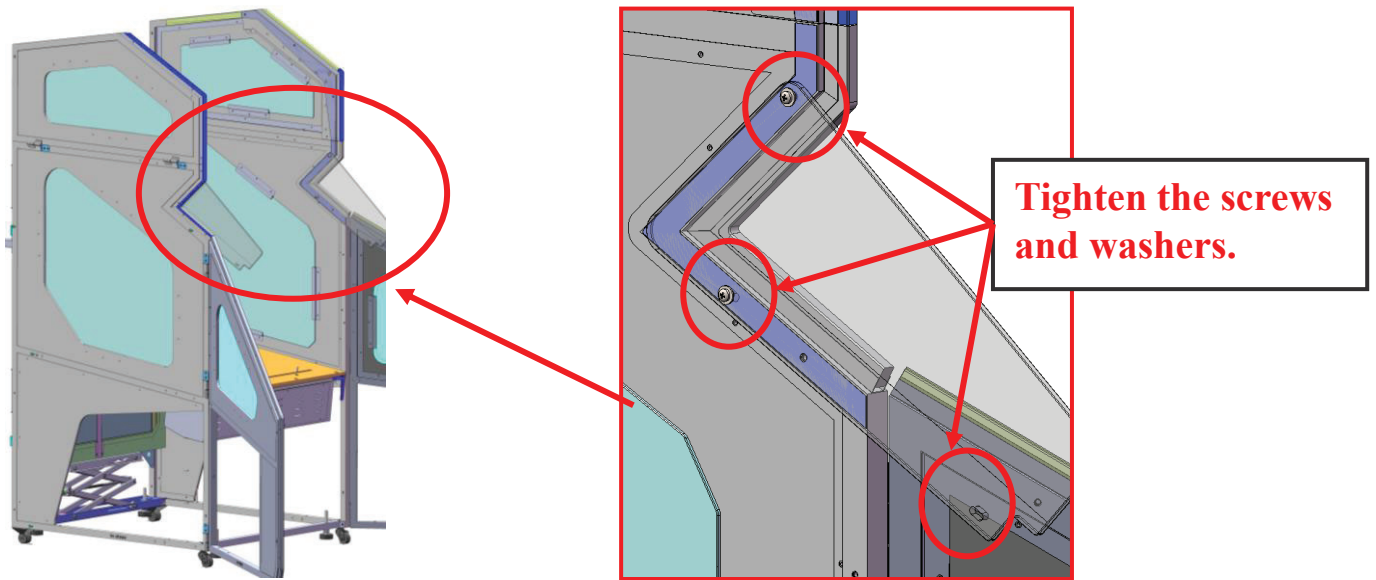


9.2. Fix the platform board with 4 pcs M8 small flat head hexagon socket screws and washers in total.

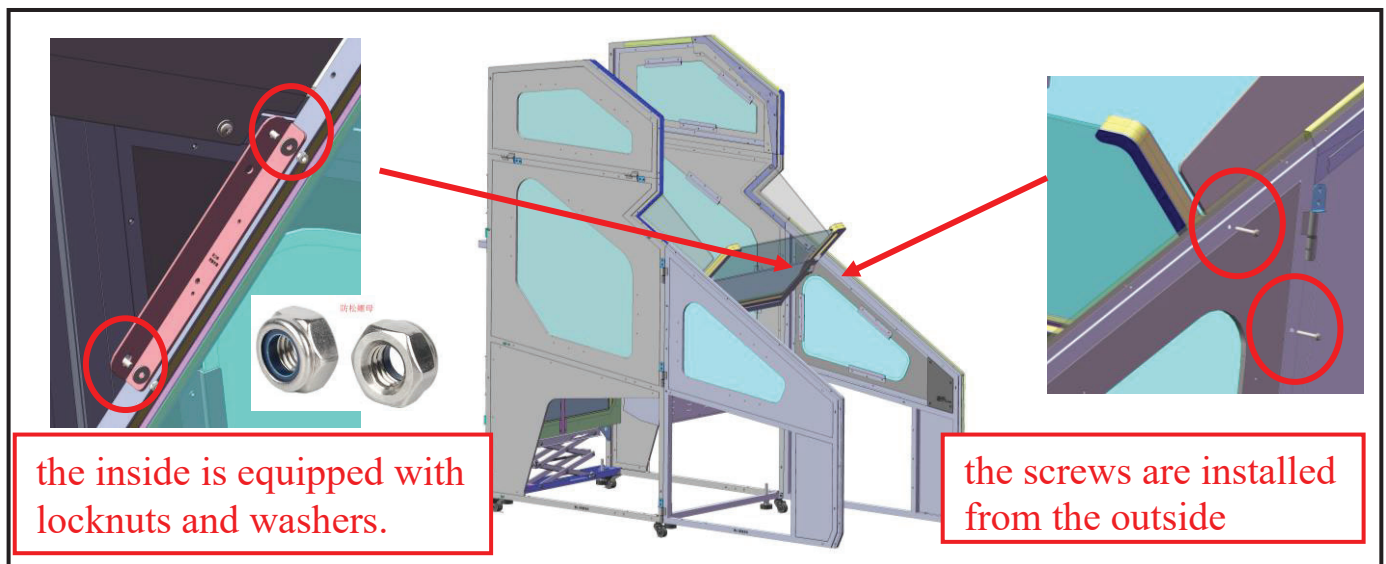
The opening of the metal buckle faces outward.



10. Take out the iron chain and hang it under the basket.(Note that the opening of the metal buckle faces outward)



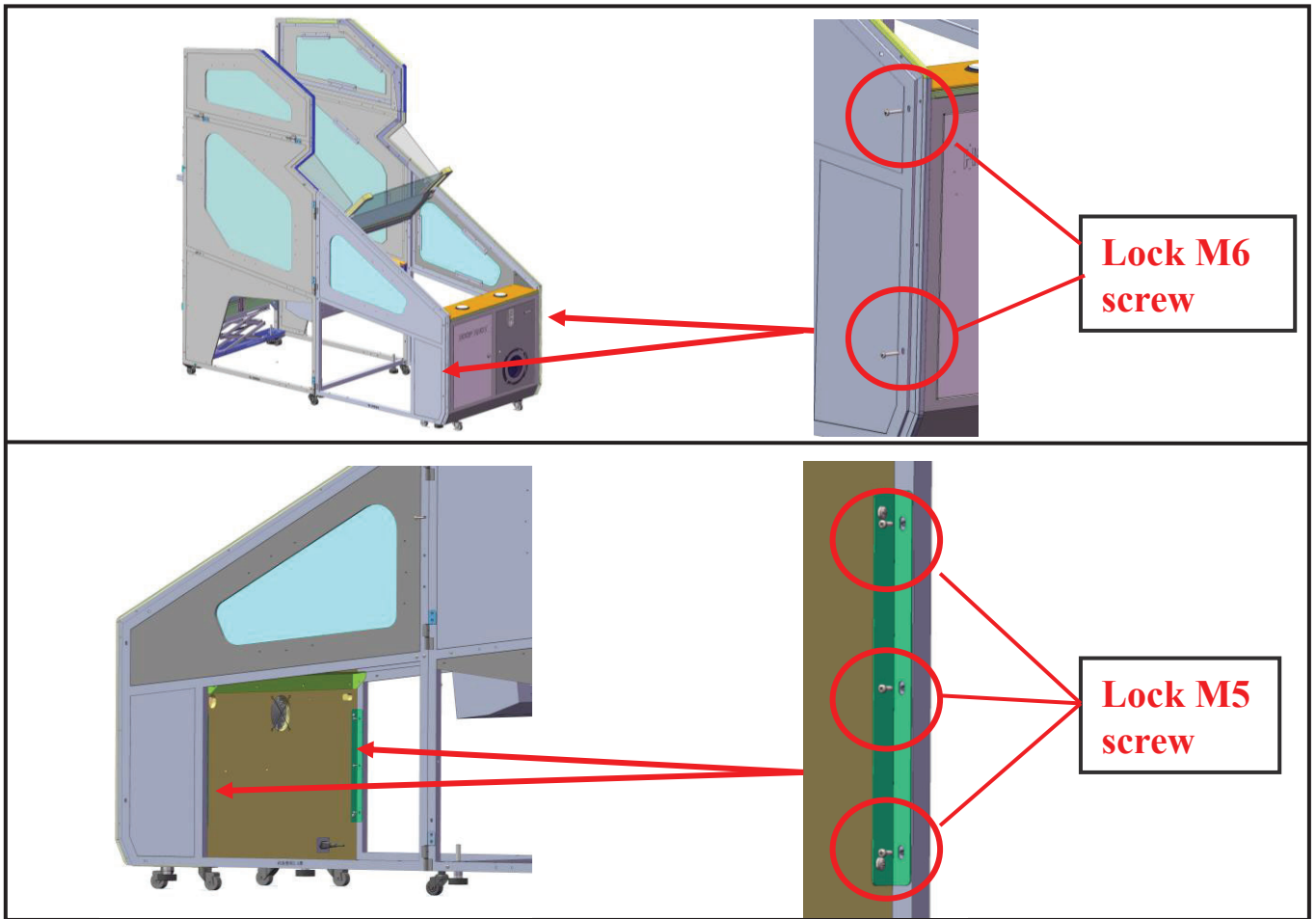
11. Install two square acrylics on the left and right, 3 screws and washers for each.



the inside is equipped with locknuts and washers.

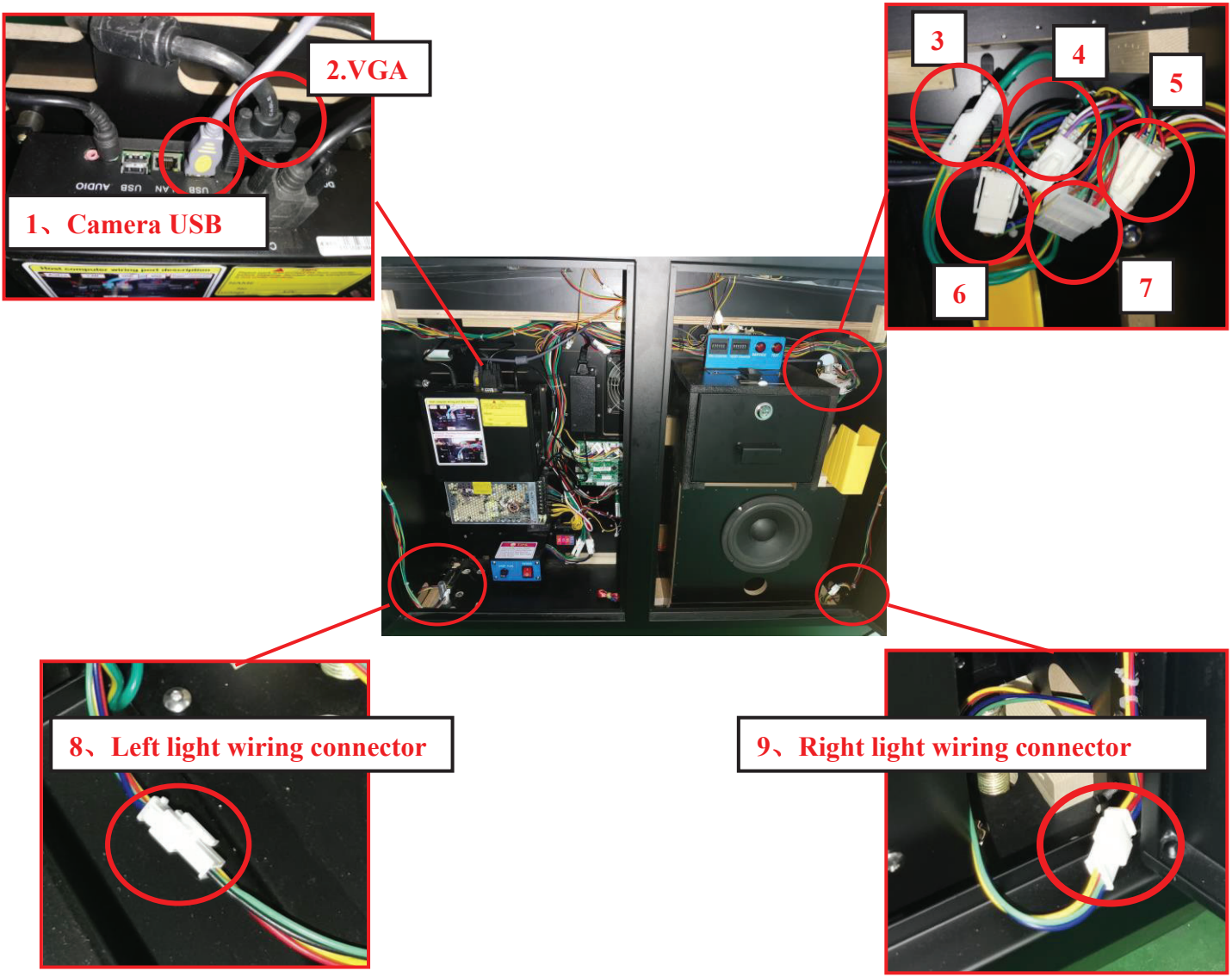
the screws are installed from the outside

12. Install the rebound glass, with the blue sticker facing the player. The screws are installed from the outside, and the inside is equipped with locknuts and washers (two on each side); DO NOT tighten the screws until the after the next step.

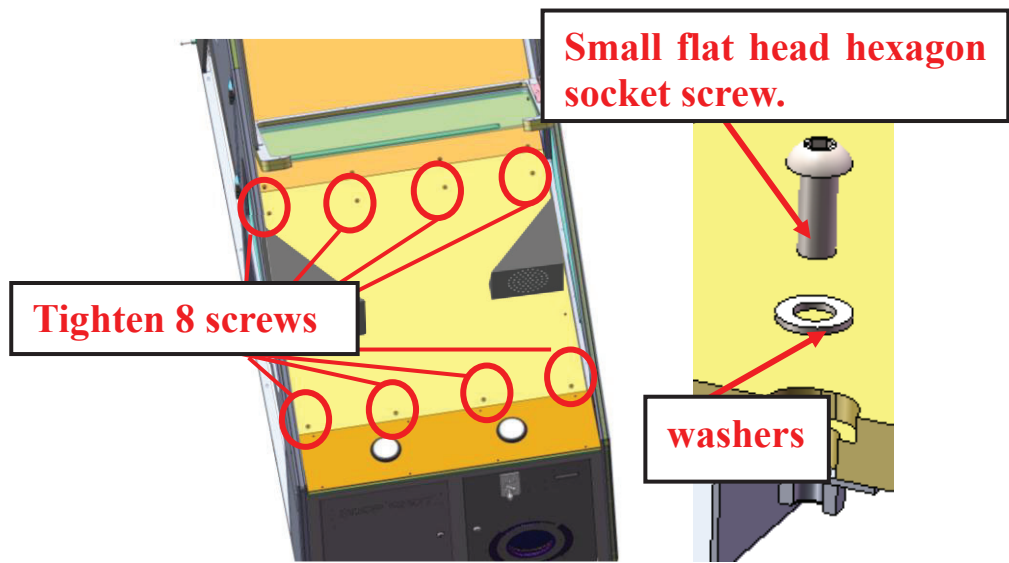


13.1 Install the console, with 2 pcs M6 screws on the left and right, 3 pcs M5 screws on the left and right; M6 screws on the outside of the door, and M5 screws on the inside of the door behind the console.

Note: There are light connectors on the sides of the door panels on both sides, which must be inserted into the console first. After installing the console, tighten the fixing screws of the rebound glass.



13.2 After installing the console, open the left and right doors, plug connector 1, 2, and 3, 4, 5, 6, 7, 8, and 9 connector.



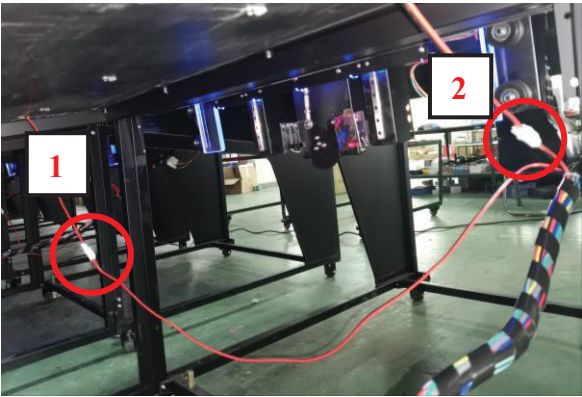
14.1 Install the wooden plate behind the console, and lock it with M8 small flat-head hexagon screws and washers, a total of 8 pieces.



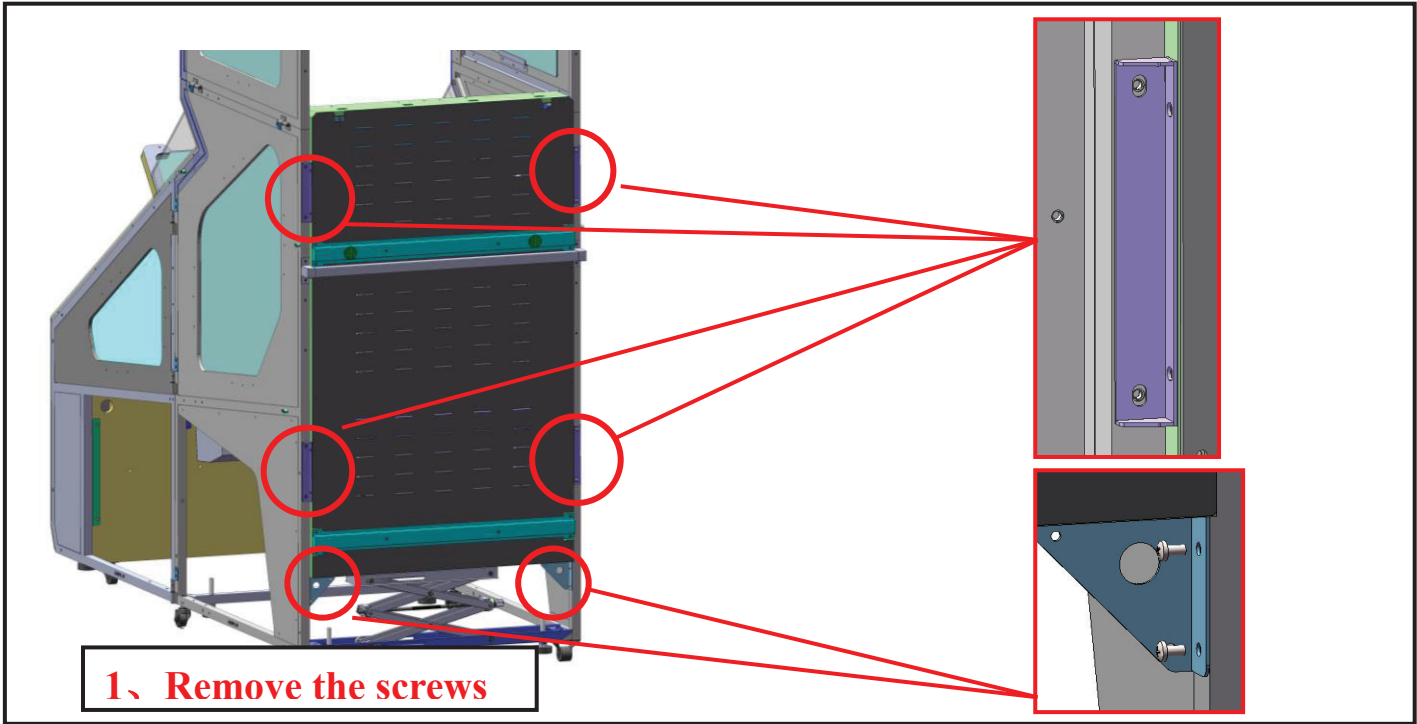
Left and right speakers



Install the left and right speakers, tighten the screws.

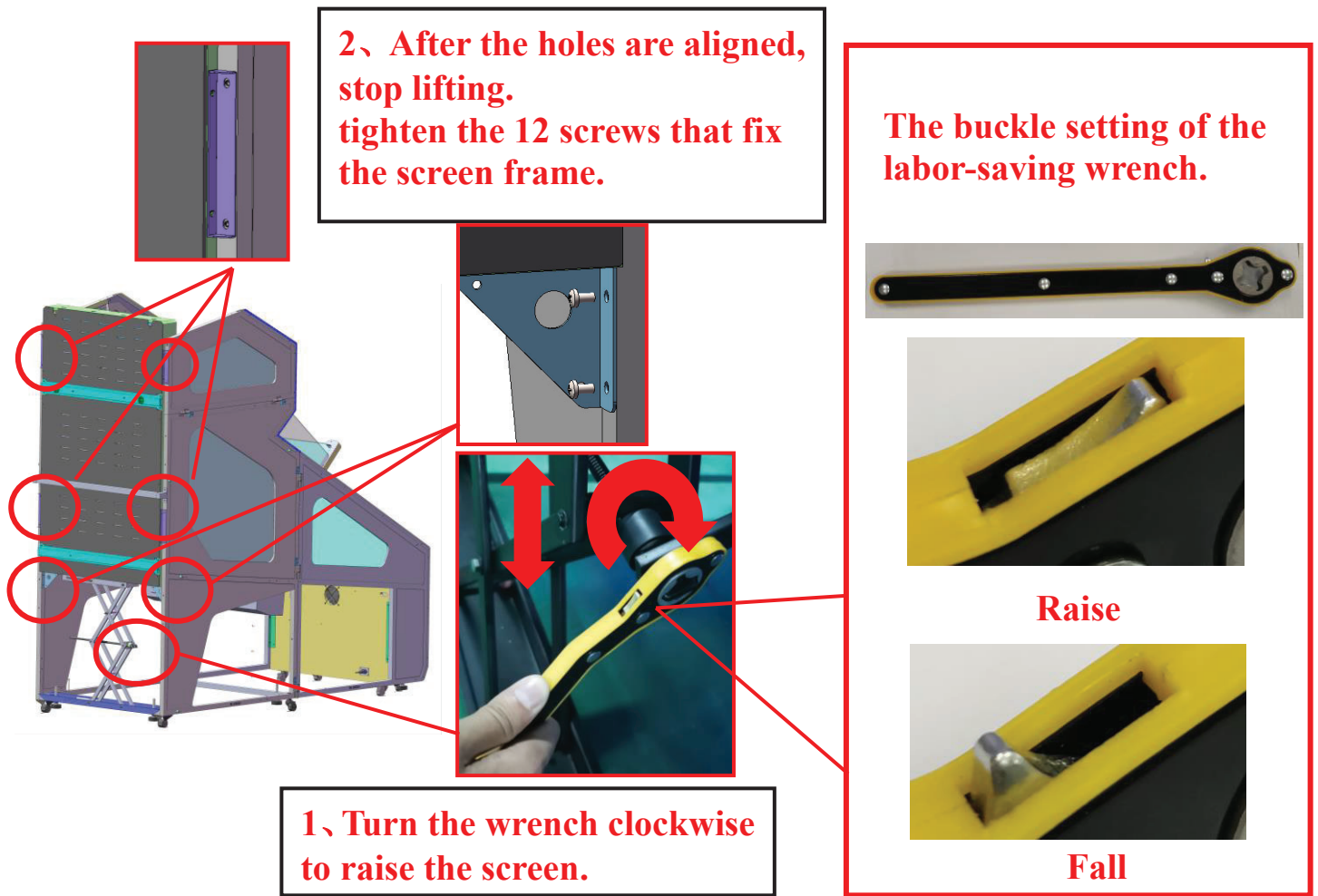


14.2、 Open the front door of the console, take out two speakers from the coin box, and install them on the wooden board behind the console. (Note that the connector of the speakers must pass through the wooden board). Connect the two speaker connector 1, 2 under the cabinet.

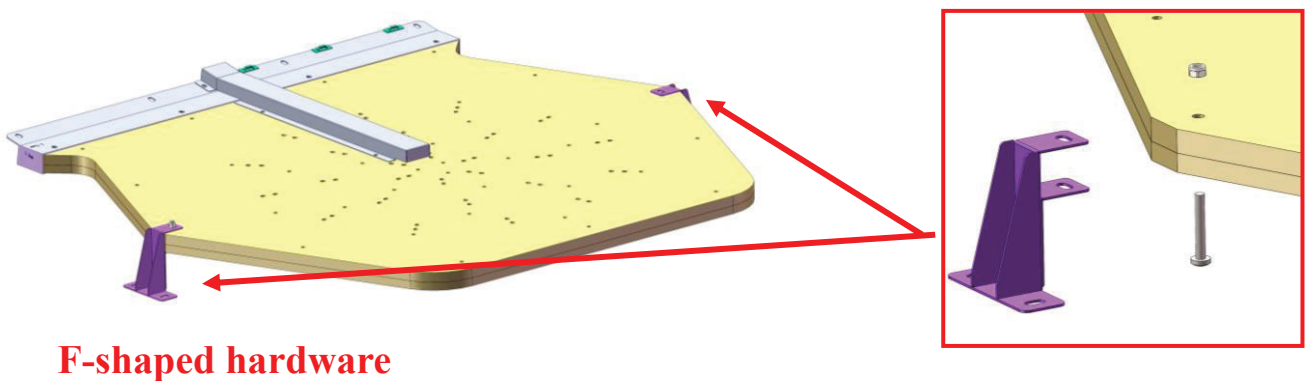


1、 Remove the screws

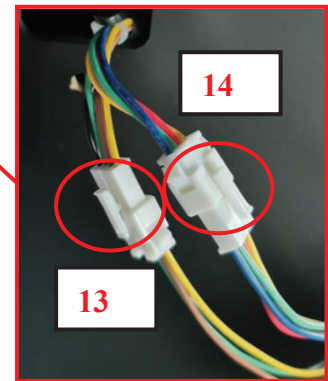
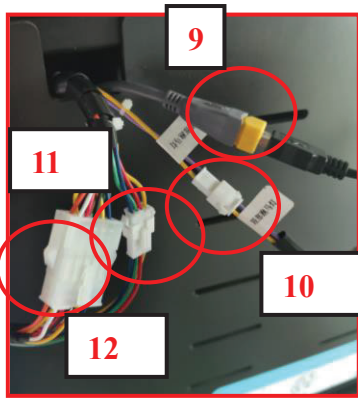
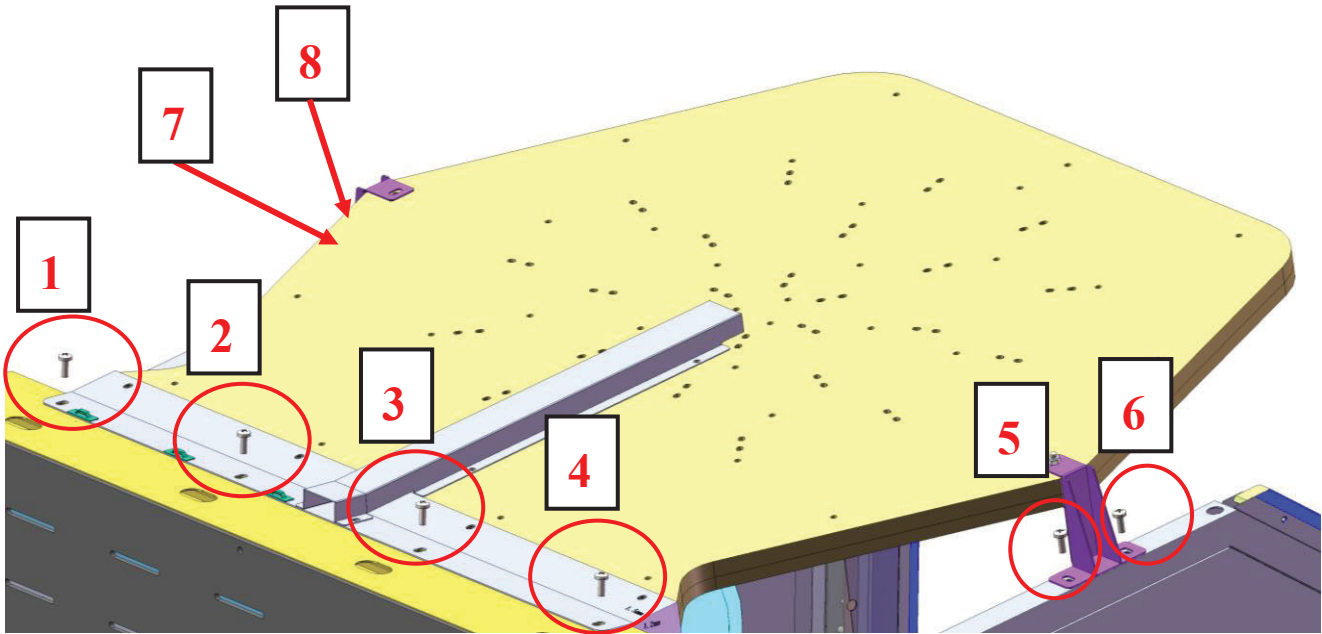
15、 Take out the 12 screws (6 on the left and right) that fix the screen frame.



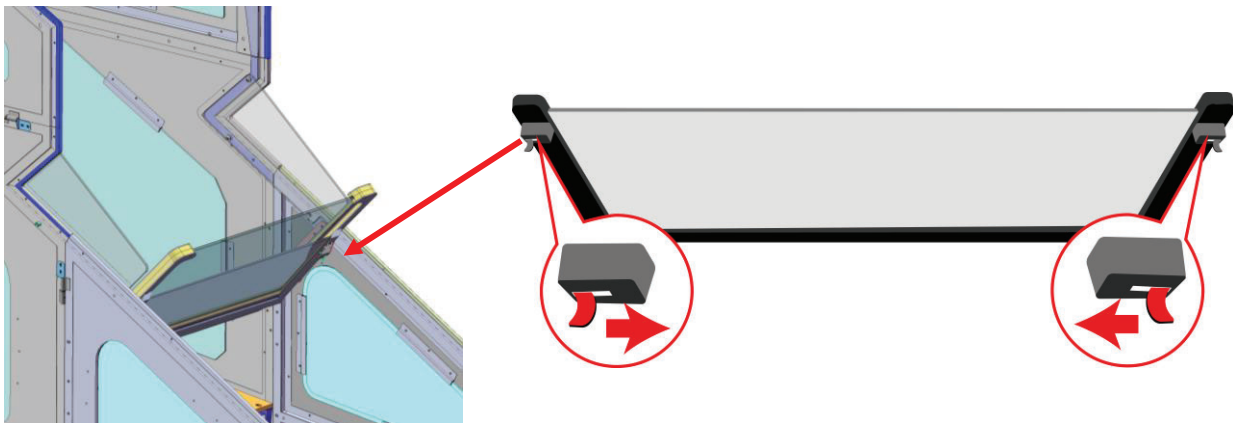
16、 Adjust the buckle mode of the wrench (as shown above). Turn the wrench clockwise to raise the screen to the specified position. Fix the screen using the 12 screws that were removed in the previous step



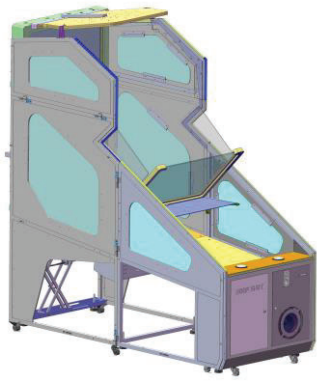
17、 Install F-shaped hardware on both sides of the light box, with 1 screw on each side.



18、 Fix the light box on the top of the screen with a total of 8 screws. Connect the 9 \ 10\11\12\13\14 wiring connector after connecting to the screen.



19、 Hold the buckles on the left and right sides of the rebound guard and push inwards at the same time and gently lower the shelf.



20、complete.