

Light Duty Commercial Microwave Oven



Model 1025F1A

Features

- Medium Capacity (0.9 cu.ft / 25 L), accommodates a 12"(305 mm) platter.
- Able to withstand the demands of the Commercial Food Service environment with stainless steel cabinet and oven cavity.
- 1000 Watts of Cooking power.
- Bottom energy feed.
- 5 power levels and 3 cooking stages for different cooking demands.
- 60:00 maximum cooking time and 100 auto programs can cover most product demands.
- Chef/Test Kitchen Support.
- User-friendly touch control pads AND Electronic dial timer with braille navigation is great for self-service locations and is ADA Compliant.
- Time entry option and X2 multiple quantity pad provide manual operation and cooking of multiple portions.
- Oven cavity light to monitor cooking status without opening the door.
- EZ Grab'n Go door handle for reliable use, no moving parts.

Applications

- + Restaurants
- + Healthcare
- + Schools
- + Vending
- + Breakrooms
- + Office Coffee Service



Model 1025F1A

Light Duty
Commercial Microwave Oven

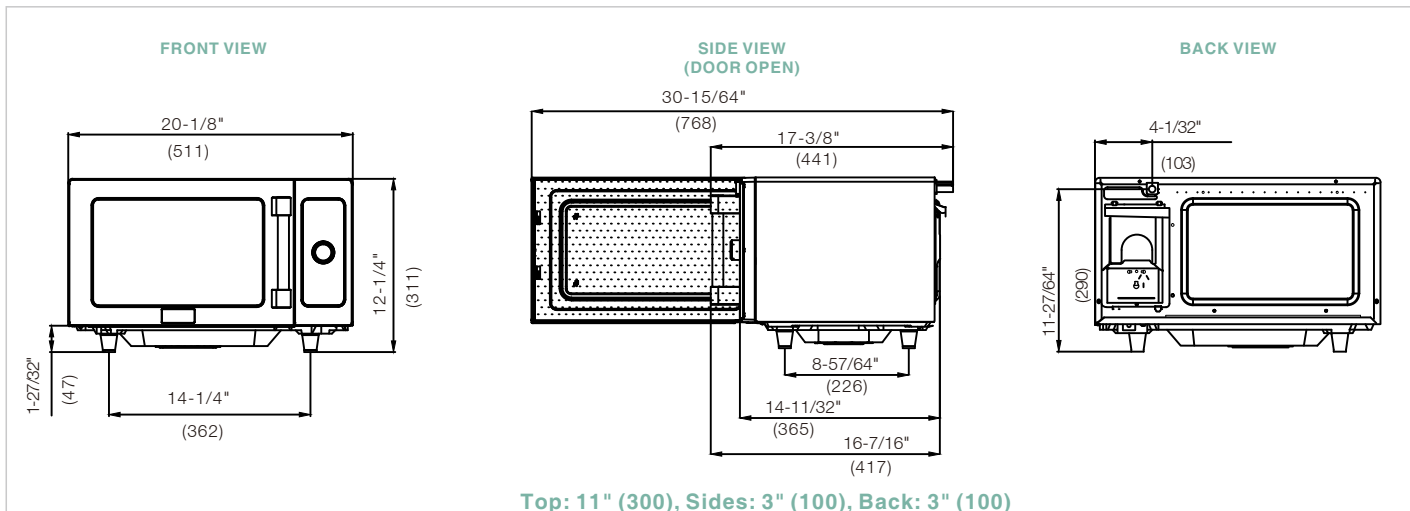
Light duty commercial microwave from Midea shall have user-friendly touch pads with braille navigation. Oven shall be programmed up to 100 auto items with 60:00 maximum cooking time for each. Oven shall have 5 power levels and 3 cooking stages. There shall have time entry option and X2 multiple quantity pad for flexible Operation. LED display and end of cycle beep. Microwave output shall be 1000 Watts distributed by single magnetron with a bottom rotating antenna. An interior light shall make the food easy to monitor without opening the door. The medium capacity 0.9 cubic ft. (25 liter) cavity shall accommodate a 12" (305 mm) platter or 6" tall H or X pan with cover. Durable door shall have an EZ Grab and Go handle with a 90° + opening for easy access. Oven shall have a stainless steel exterior wrap, door, and interior cavity. Chef/Test Kitchen Support. Microwave oven shall be listed by UL, CUL and ETL SANITATION.

Specifications

Dimensions	
Cavity size	0.9 cu.ft (25 Liters)
Cavity Dimension(WxDxH)	327 mm x 346 mm x 200 mm (12 7/8" x 13 5/8" x 7 7/8")
Gross Dimension(WxDxH)	511 mm x 432 mm x 311mm (20 1/8" x 17" x 12 1/4")
Inside Package Dimension(WxDxH)	581 mm x 478 mm x 380 mm (22 7/8" x 18 7/8" x 15")
Outer Package Dimension(WxDxH)	595 mm x 492 mm x 407 mm (23 3/8" x 19 3/8" x 16")
Ship Weight (approx)	16.5 kg (36.4 lb)
Product Weight	14.7 kg (32.4 lb)
Door Depth	"30-15/64" "(768), 90°+ door open"
Exterior Finish	Stainless steel
Interior Finish	Stainless steel
No Turnable	Yes
Interior Light	Yes, Incandescent
Loading Capacity (20" / 40" / 40" HD)	210 / 460 / 552
Electrical specifications	
Power Consumption	1500 W
Power Output	1000 W
Power Source	120 V, 60 Hz, 15 A single phase
Plug Configuration	NEMA 5-15P
Plug Cord	5 ft. (1.5m)
Plug Image	
Frequency	2450 MHZ

Technical specifications	
Filter Board	Yes
Settings Programmable	100
Power Levels	5
Stage Cooking	3
Control Type	Membrane Touch
Defrost by Time	Yes
Time Entry Option	Yes
Max. Cooking Time	00:60:00
Multiple Portion Setting	Yes, X2
Express cook	Yes
Cooking End Signal	Yes
Magnetron Protection	Yes
Magnetrons	1
Function type	Light-duty
Microwave Distribution	Bottom rotating antenna
Braille	Yes
Stackable installation	No
Safety Listing	
Safety Listing	UL+CUL+FCC+ETL SANITATION

Installation Clearances



avscpanies.com
 sales@avscpanies.com
 (847) 439-9400

