

Light Duty Commercial Microwave Oven



Model 1025F0A

Features

- Capacity (0.9 cu.ft / 25 L), accommodates a 12" platter.
- Able to withstand the demands of the Commercial Food Service environment with stainless steel cabinet and oven cavity.
- 1000 Watts of Cooking power.
- Bottom energy feed.
- Full power only for simple operation.
- Easy to control with 6 minute electronic dial timer with "AutoReset" feature.
- On door menu guide for frequently used items and reference.
- Chef/Test Kitchen Support.
- Oven cavity light to monitor cooking status without opening the door.
- EZ Grab'n Go door handle for reliable use, no moving parts.

Applications

+ Restaurants

+ Breakrooms

+ Vending

+ Office Coffee Service



Model 1025F0A

Light Duty
Commercial Microwave Oven

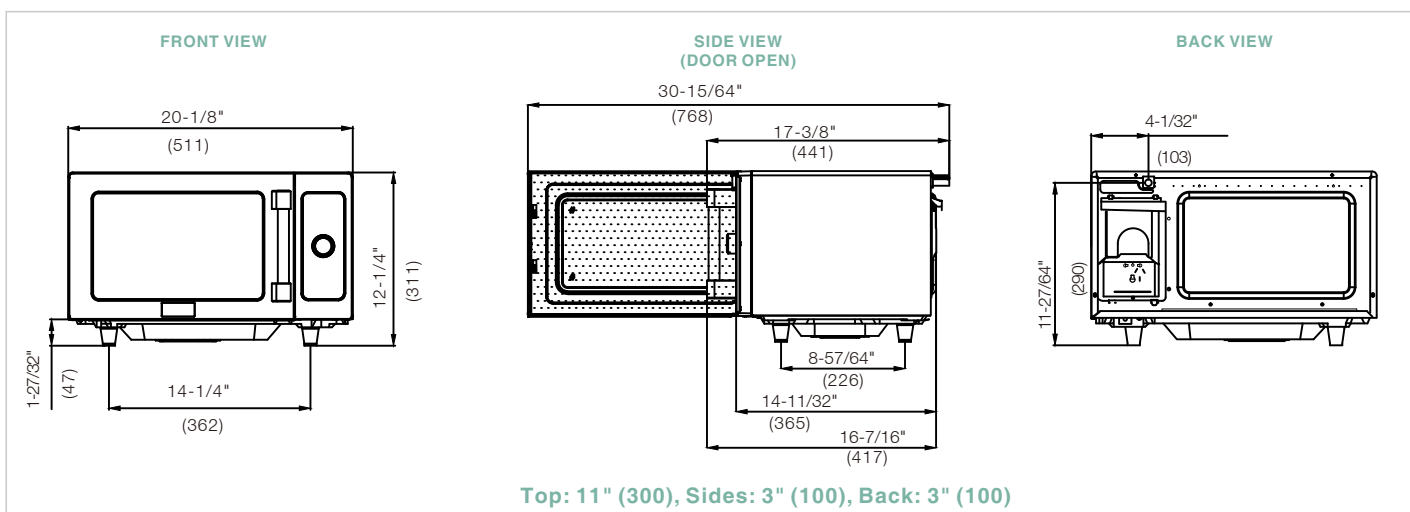
Light duty Commercial Microwave Oven from Midea shall have a 6 minute dial timer with illuminated digits and end of cycle beep. Timer shall automatically reset to zero if the door is opened during operation. Oven shall have full power for simple operation. Microwave output shall be 1000 Watts distributed by single magnetron with a bottom rotating antenna. An incandescent light shall make the food be easily monitored without opening the door. The medium capacity 0.9 cubic ft. (25 liter) cavity shall accommodate a 12" (305 mm) platter or 6" 1/2 H or X Pan with cover. Durable door shall have an EZ Grab and Go handle with a 90°+ opening for easy access. Oven shall have a stainless steel exterior wrap, door, and interior cavity. Chef/Test Kitchen Support. Microwave oven shall be listed by UL, CUL and ETL SANITATION.

Specifications

Dimensions	
Cavity size	0.9 cu.ft (25 Liters)
Cavity Dimension(WxDxH)	327 mm x 346 mm x 200 mm (12 7/8" x 13 5/8" x 7 7/8")
Gross Dimension(WxDxH)	511 mm x 432 mm x 311mm (20 1/8" x 17" x 12 3/4")
Inside Package Dimension(WxDxH)	581 mm x 478 mm x 380 mm (22 7/8" x 18 7/8" x 15")
Outer Package Dimension(WxDxH)	595 mm x 492 mm x 407 mm (23 3/8" x 19 3/8" x 16")
Ship Weight (approx)	16.5 kg (36.4 lb)
Product Weight	14.7 kg (32.4 lb)
Door Depth	"30-15/64" "(768), 90°+ door open"
Exterior Finish	Stainless steel
Interior Finish	Stainless steel
No Turnable	Yes
Interior Light	Yes, Incandescent
Loading Capacity (20' / 40' / 40' HD)	210 / 460 / 552
Electrical specifications	
Power Consumption	1500 W
Power Output	1000 W
Power Source	120 V, 60 Hz, 15 A single phase
Plug Configuration	NEMA 5-15P
Plug Cord	5 ft. (1.5m)
Plug Image	
Frequency	2450 MHZ

Technical specifications	
Filter Board	Yes
Settings Programmable	-
Power Levels	1
Stage Cooking	1
Control Type	Dial Control
Defrost by Time	No
Time Entry Option	Yes
Max. Cooking Time	00:06:00
Multiple Portion Setting	No
Express cook	Yes
Cooking End Signal	Yes
Magnetron Protection	Yes
Magnetrons	1
Function type	Light-duty
Microwave Distribution	Bottom rotating antenna
Braille	No
Stackable installation	No
Safety Listing	
Safety Listing	UL+CUL+FCC+ETL SANITATION

Installation Clearances



avskompanies.com
 sales@avskompanies.com
 (847) 439-9400

